

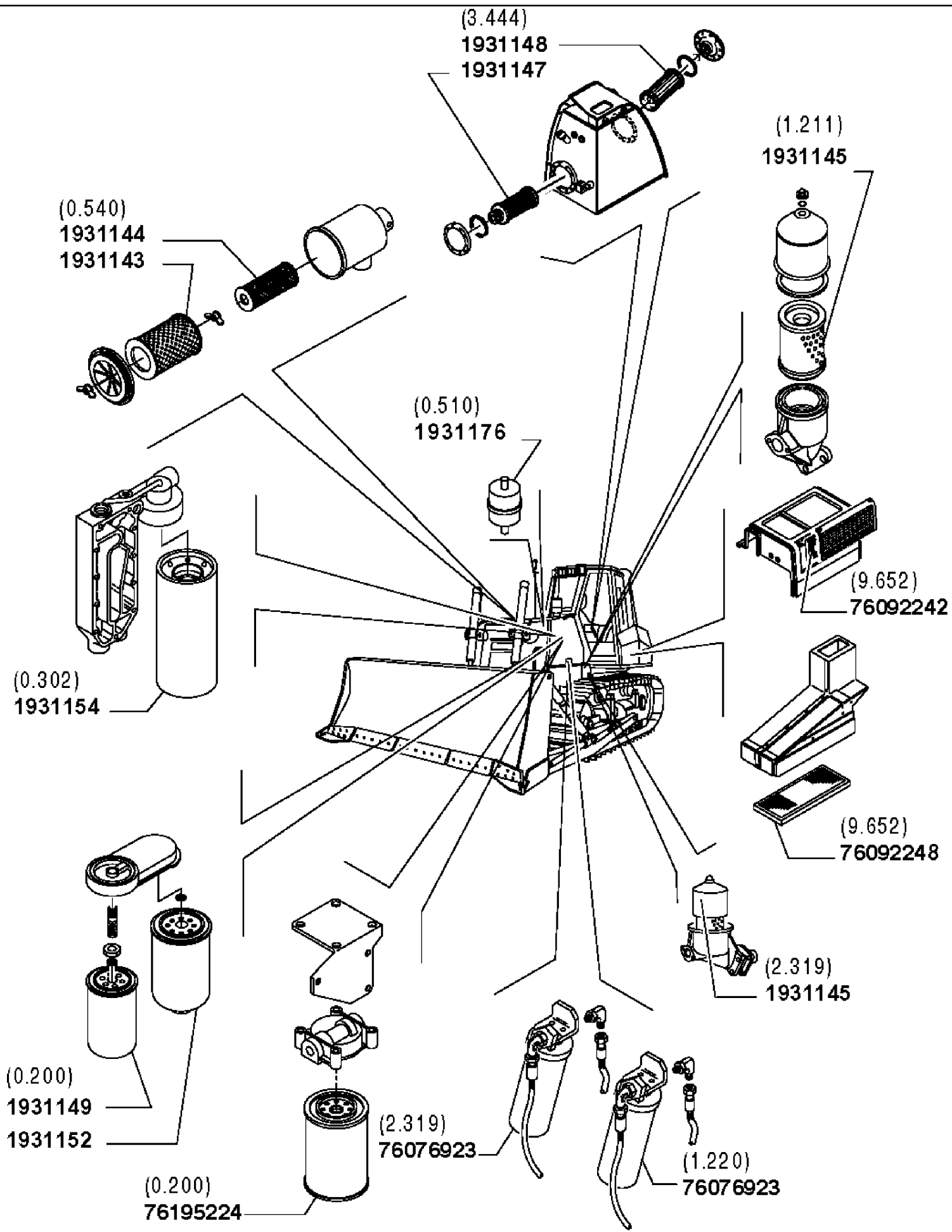


# PARTS CATALOGUE

CRAWLER DOZER

1850K

TIER 2



1850K CRAWLER DOZER (TIER II) (3/03- )

0 - FILTERS(00) MAINTENANCE PARTS

Ref	Part Number	Qty	Description

MODELS MODELLI MODELES MODELLE MODELOS MODELOS MODELLEN MODELLER	ENGINEERING CODE DENOMINAZIONE TECNICA DESIGNATION TECHNIQUE TECHNISCHE BEZEICHNUNG DESIGNACION TECNICA DENOMINAÇÃO TÉCNICA TECHNISCHE BENAMING TEKNISK BENÆVNELSE	ENGINE MODEL MODELLO DEL MOTORE MODELE DU MOTEUR MOTORBAUMUSTER MODELO DEL MOTOR MODELO DO MOTOR MODEL VAN MOTOR MOTOR-MODEL	NUMERICAL CODE CODICE NUMERICO CODE NUMERIQUE KENNUMMER CODIGO NUMERICO CÓDIGO NUMÉRICO NUMMERCODE NUMMER-KODE
1850K LT T2	535.100.053 535100053	CUMMINS-6CTAA8.3 FR 91003 - 190HP	01
1850K XLT T2	535.100.054 535100054	CUMMINS-6CTAA8.3 FR 91003 - 190HP	02
1850K LGP T2	535.100.055 535100055	CUMMINS-6CTAA8.3 FR 90895 - 215HP	03
MODELS MODELLI MODELES MODELLE MODELOS MODELOS MODELLEN MODELLER	MODEL SERIAL NUMBER NUMERO DE SERIE DU MODELE NUMERO DE SERIE DEL MODELO SERIENUMMER VAN MODEL	- NUMERO DI MATRICOLA DEL MODELLO - MODELL-SERIENNUMMER - NÚMERO DE MATRÍCULA DO MODELO - MATRIKEL-NUMMER PÅ MODEL	
MODELS MODELLI MODELES MODELLE MODELOS MODELOS MODELLEN MODELLER	PRODUCT CODE - CODICE PRODOTTO CODE DE PRODUCTION - PRODUKT KODEX CODIGO DEL PRODUCTO - CÓDIGO DO PRODUTO PRODUCTCODE - PRODUKT-KODE	UNIT NO. - TELAIO N° NUMERO DE L'UNITE - EINHEITS-NR. NUM. DE LA UNIDAD - CHASSIS NÚMERO CHASSISNUMMER - NUMMER CHASSIS	
1850K LT T2 1850K XLT T2 1850K LGP T2	1850K LT T2 1850K XLT T2 1850K LGP T2		411101 421101 431101

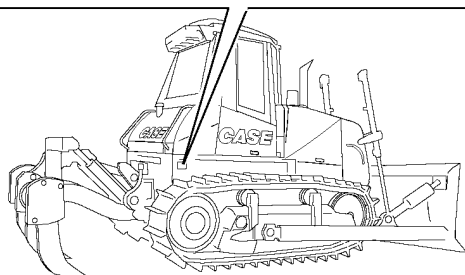
RECORD YOUR SERIAL NUMBERS BELOW - REGISTRATE I VOSTRI NUMERI DI MATRICOLA QUI SOTTO  
ENREGISTREZ VOS NUMEROS DE SERIE CI-DESSOUS - UNTEN SERIENNUMMER VIERMERKEN  
ANOTE AQUI LOS NUMEROS DE SERIE - REGISTRAR OS NÚMEROS DE MATRÍCULA ABAIXO  
NOTEER HIERONDER DE SERIENUMMERS - REGISTRER DERES MATRIKEL-NUMRE FOR NEDEN

MACHINE SERIAL NUMBER - MATRICOLA DELLA MACCHINA  
NUMERO DE SERIE DE LA MACHINE - SERIENNUMMER DER MASCHINE  
NUMERO DE SERIE DE LA MAQUINA - MATRÍCULA DA MÁQUINA  
SERIENUMMER VAN DE MACHINE - MASKINENS MATRIKEL

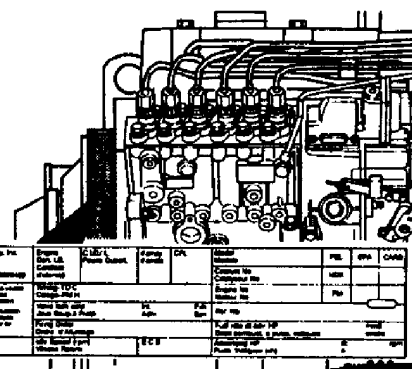
ENGINE SERIAL NUMBER - MATRICOLA DEL MOTORE  
NUMERO DE SERIE DU MOTEUR - SERIENNUMMER DES MOTORS  
NUMERO DE SERIE DEL MOTOR - MATRÍCULA DO MOTOR  
SERIENUMMER VAN DE MOTOR - MOTORENS MATRIKEL

MARCATURA

1850K LT T2 HHA 01850S 00411101  
1850K XLT T2 HHA 1850ST 00421101  
1850K LGP T2 HHA 1850SP 00431101



MACHINE SERIAL NUMBER LOCATION  
POSIZIONE DEL NUMERO DI MATRICOLA DELLA MACCHINA  
EMPLACEMENT DU NUMERO DE SERIE DE LA MACHINE  
ORT DER SERIENNUMMER DER MASCHINE  
UBICACION NUMERO DE SERIE DE LA MAQUINA  
POSICAO DO NUMERO DE MATRICULA DA MAQUINA  
POSITIE VAN SERIENNUMMER VAN DE MACHINE  
POSITION PÅ MASKINENS MATRIKEL-NUMMER

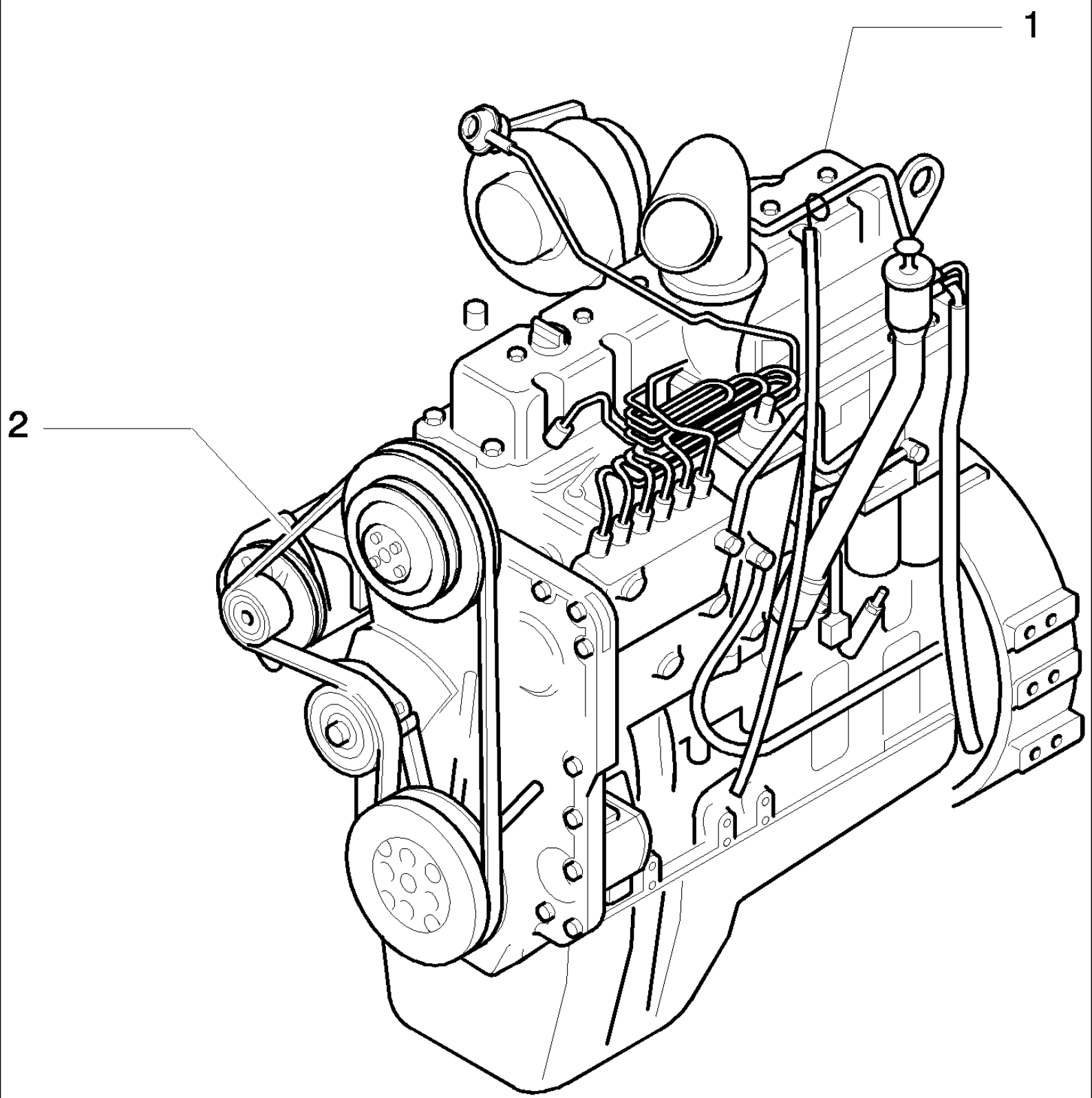


Cummins Engine Company, Inc. 2600 East 14th Avenue Columbus, Indiana 47331-1724 U.S.A.	Model Type Serial No. Date of Mfg. Plant	Engine No. Serial No. Date of Mfg. Plant	Part No. Description Quantity Unit	Part No. Description Quantity Unit	Part No. Description Quantity Unit	Part No. Description Quantity Unit	Part No. Description Quantity Unit
	6CTAA8.3 190HP FR 91003 190HP 190HP	6CTAA8.3 190HP FR 91003 190HP 190HP	6CTAA8.3 190HP FR 91003 190HP 190HP	6CTAA8.3 190HP FR 91003 190HP 190HP	6CTAA8.3 190HP FR 91003 190HP 190HP	6CTAA8.3 190HP FR 91003 190HP 190HP	6CTAA8.3 190HP FR 91003 190HP 190HP

ENGINE SERIAL NUMBER LOCATION  
POSIZIONE DEL NUMERO DI MATRICOLA DEL MOTORE  
EMPLACEMENT DU NUMERO DE SERIE DU MOTEUR  
ORT DER SERIENNUMMER DES MOTORS  
UBICACION DEL NUMERO DE SERIE DEL MOTOR  
POSICAO DO NUMERO DE MATRICULA DO MOTOR  
POSITIE VAN SERIENNUMMER VAN DE MOTOR  
POSITION PÅ MOTORENS MATRIKEL-NUMMER

0 - VERSION(00) IDENTIFICATION AND VERSION LIST

Ref	Part Number	Qty	Description

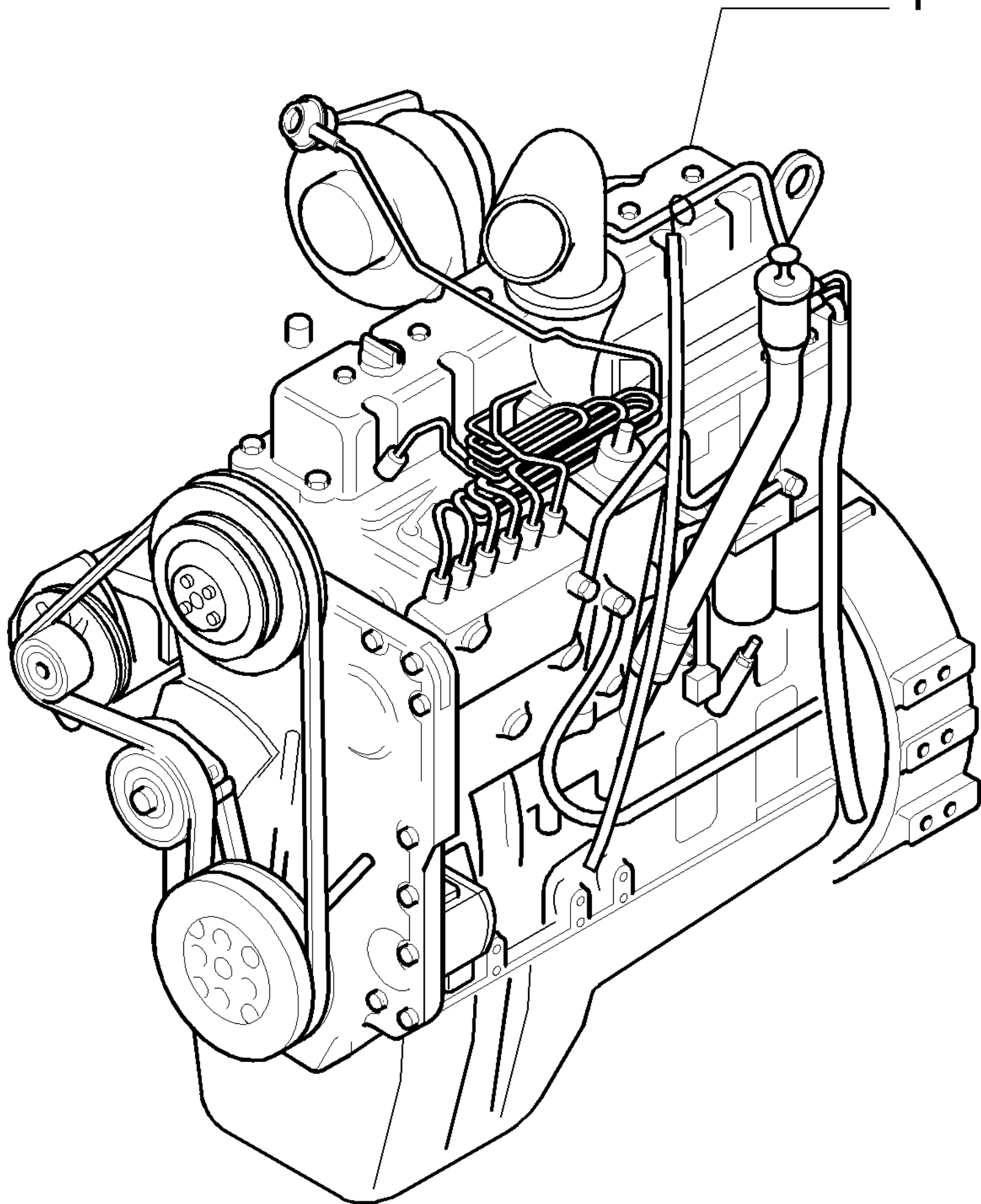


1850K CRAWLER DOZER (TIER II) (3/03- )

0.021(01) ENGINE - VERSION (01-02)

Ref	Part Number	Qty	Description
1	76076947	1	ENGINE, - 190HP
2	76193551	1	BELT, TRANSMISSION,

1



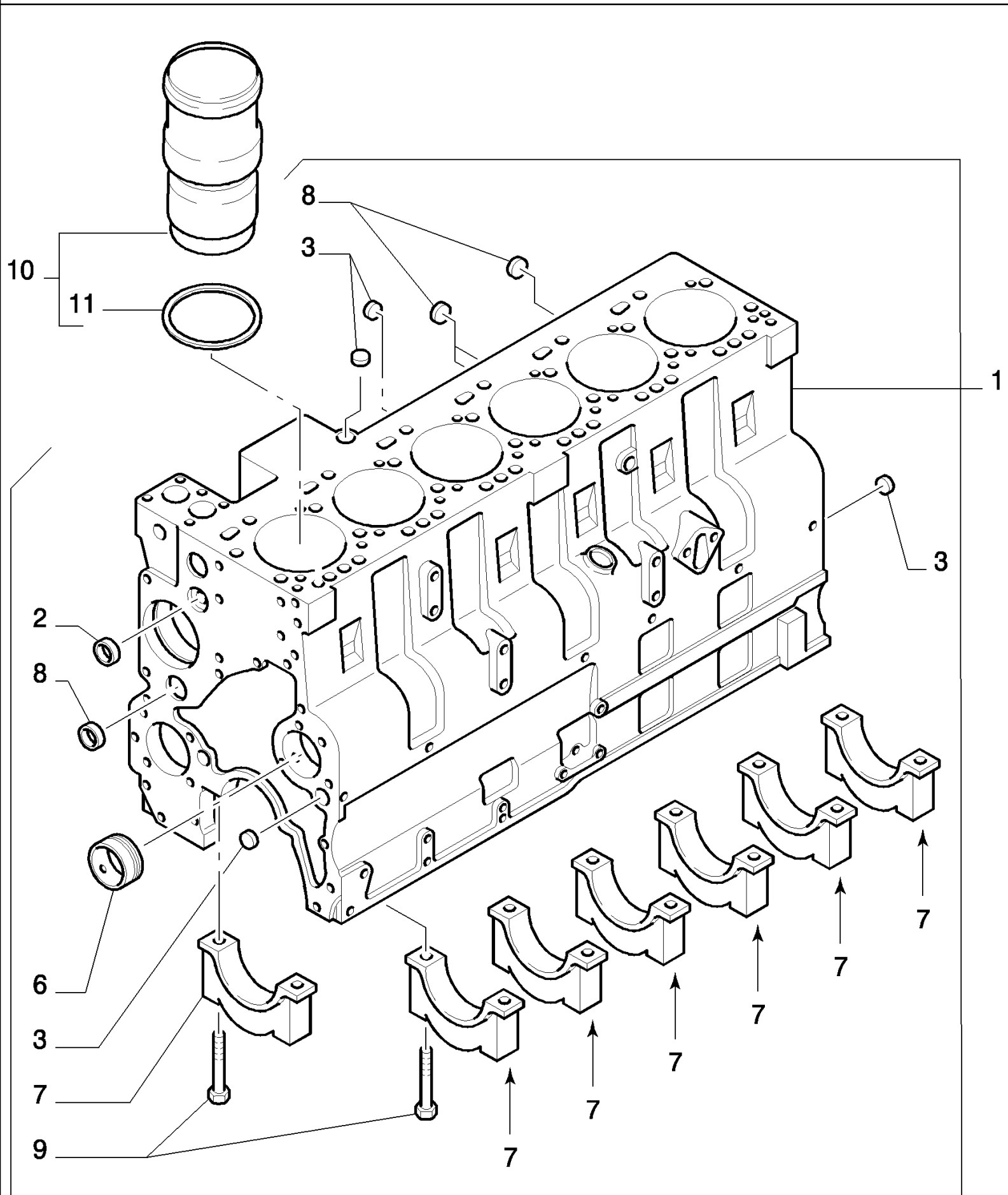


1850K CRAWLER DOZER (TIER II) (3/03- )

0.021(01A) ENGINE - VERSION (03)

Ref	Part Number	Qty	Description
1	76078004	1	ENGINE, - 215HP LGP

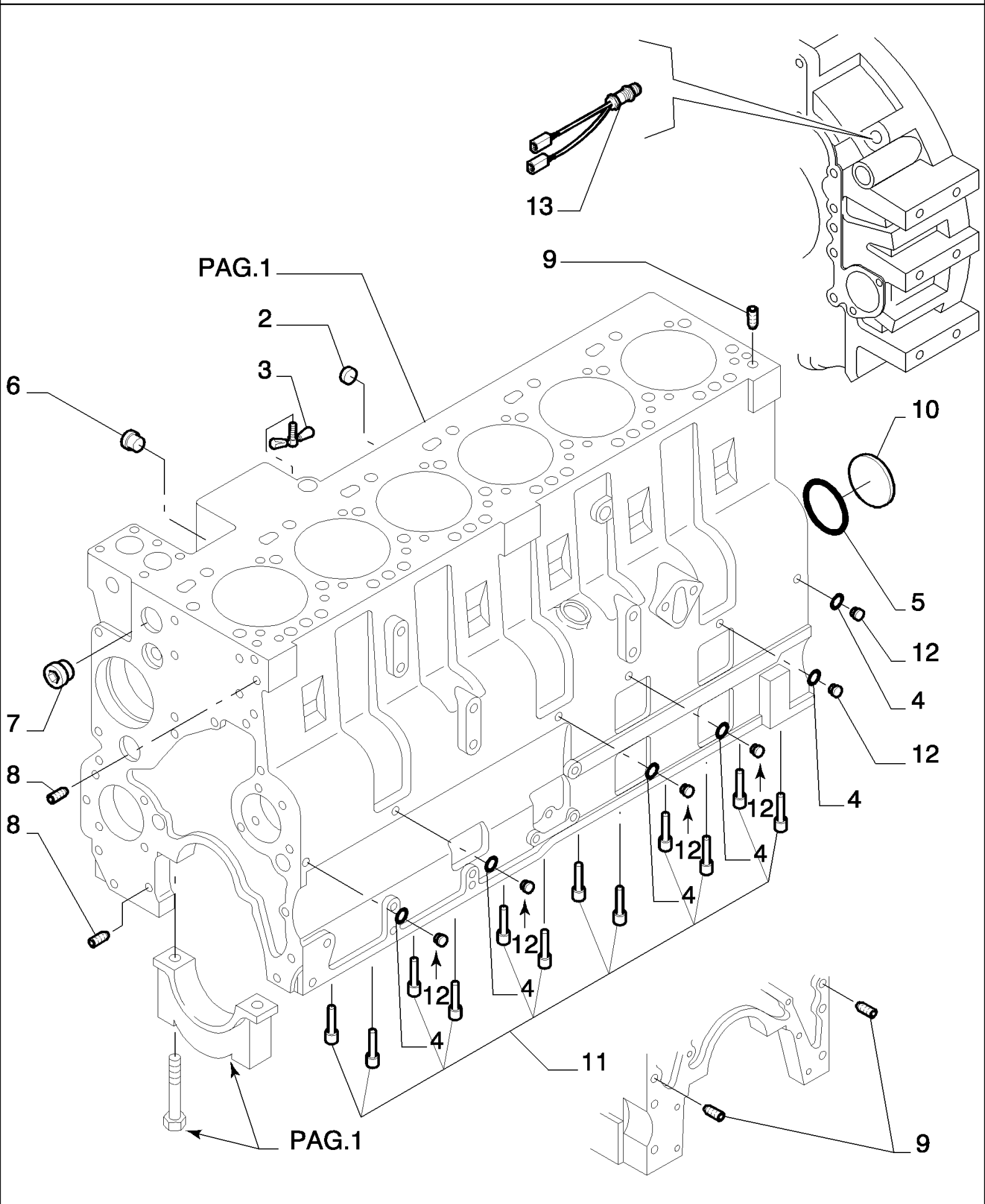
0.040(01) CRANKCASE



## 1850K CRAWLER DOZER (TIER II) (3/03-)

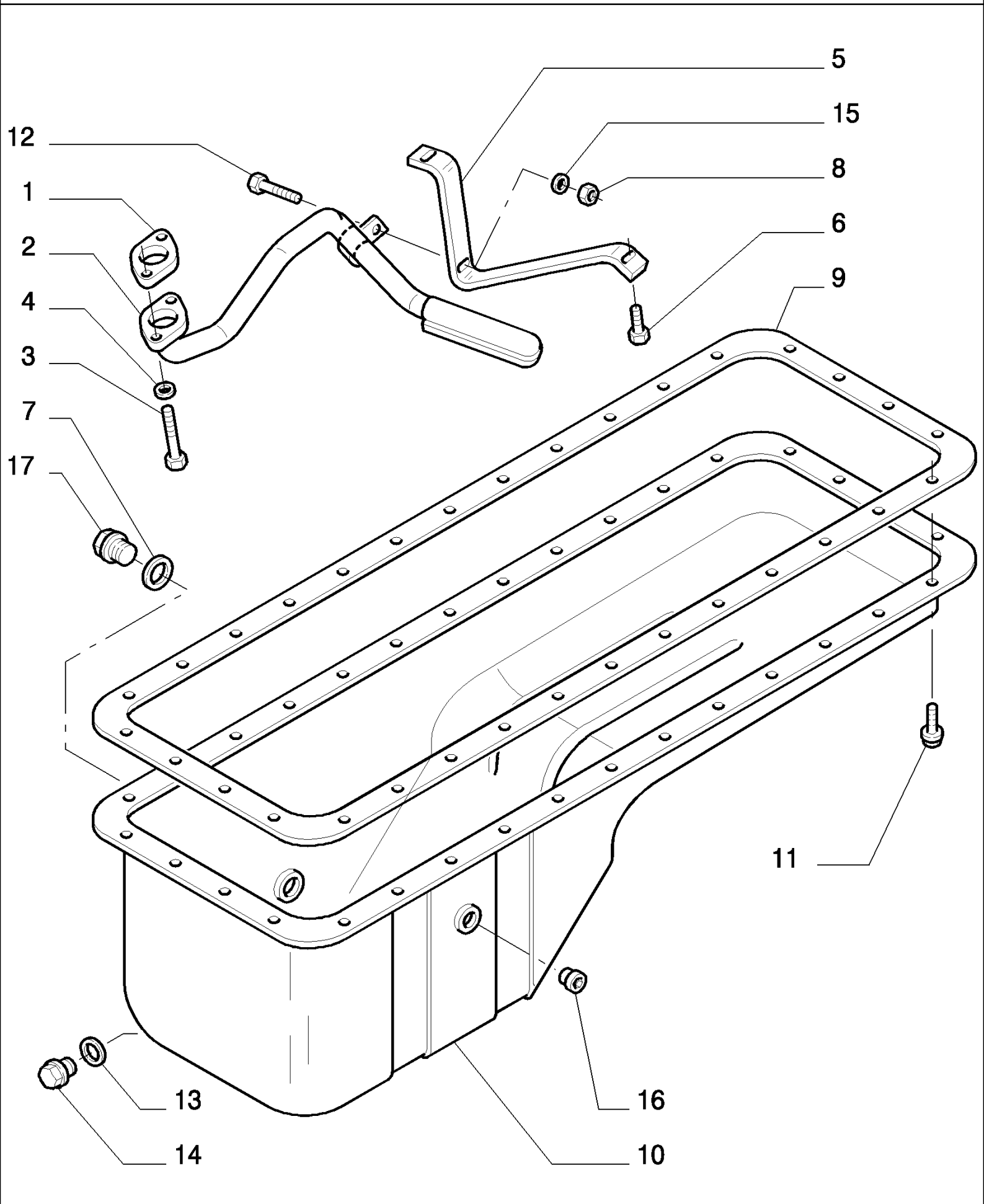
## 0.040(01) CRANKCASE

Ref	Part Number	Qty	Description
1	76195134	1	- ASSY
2	76101887	2	PLUG, 1 1/8 inch
3	75208140	4	PLUG, 1 3/16 inch
6	76193602	7	BUSHING,
7	76194536	7	SUPPORT,
8	75208111	4	KIT,
9	75286310	14	SCREW, 14X2X128
10	76194681	6	LINER, ENGINE CYLINDER, - ASSY
11	76192204	1	RING,



## 0.040(02) CRANKCASE

Ref	Part Number	Qty	Description
2	76102929	1	PLUG,
3	76195278	1	
4	76193304	6	SEAL, 10X1.00
5	76194690	1	
6	76107131	1	PLUG, 3/4 NPT
7	76190786	1	PLUG, 1 NPT
8	75208120	2	PIN, 10X16
9	75208212	4	DOWEL,
10	75208139	1	PLUG,
11	76192719	12	NOZZLE,
12	76193305	6	PLUG,
13	76193563	1	SENSOR, - SPEED

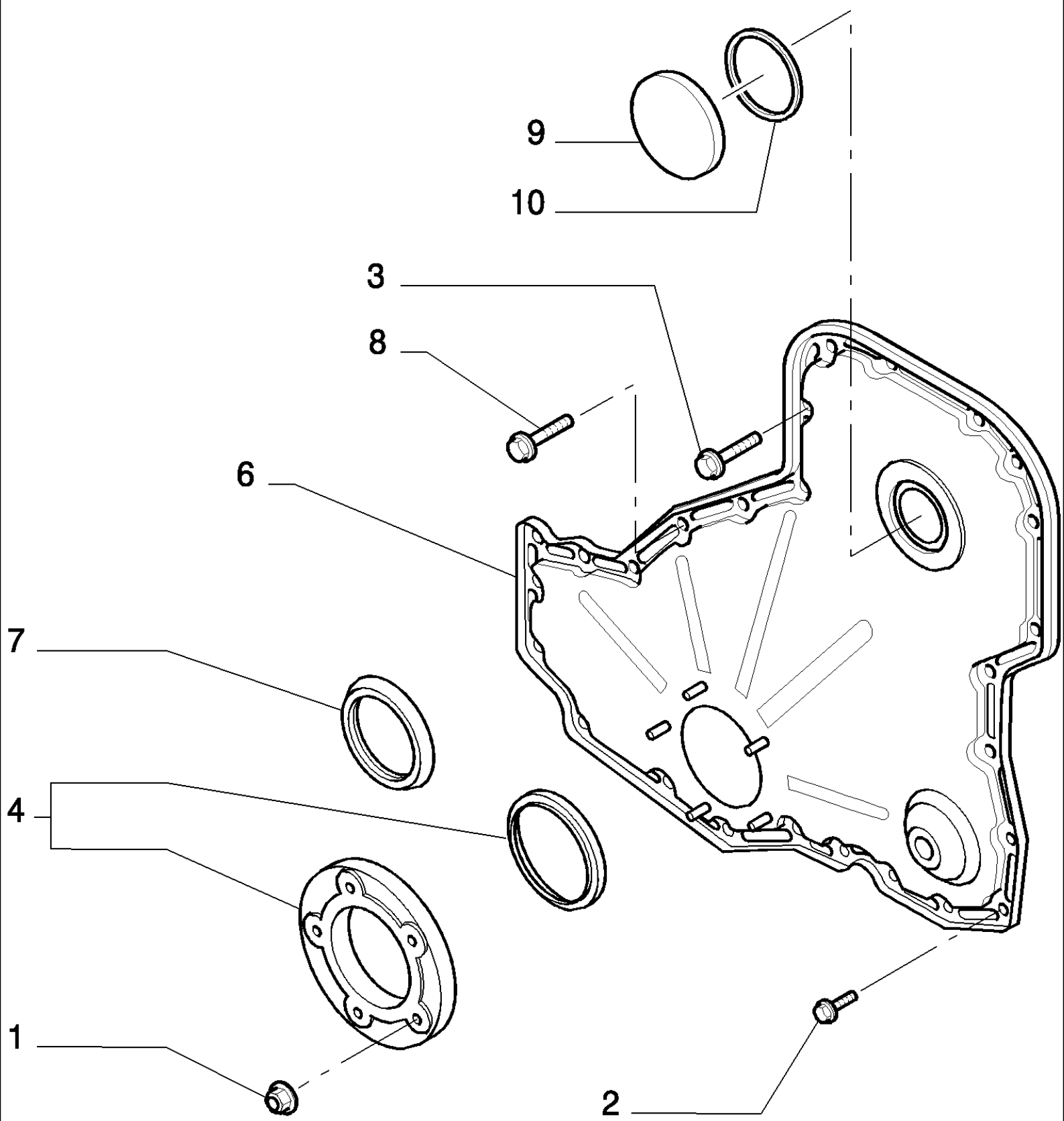


## 1850K CRAWLER DOZER (TIER II) (3/03-)

## 0.042(01) ENGINE OIL SUMP

Ref	Part Number	Qty	Description
1	76192688	1	GASKET,
2	75208175	1	TUBE, RIGID,
3	75208177	2	SCREW, 6X1X30
4	76192473	2	SPACER,
5	76192347	1	BRACKET,
6	75286074	3	SCREW, 6X1X16
7	75208158	1	GASKET,
8	75208170	1	NUT, 6X1.00
9	76194543	1	GASKET,
10	76191721	1	
11	76192367	1	SCREW, 8X1.25X21
12	76191767	1	SCREW, 6X1X20
13	76191693	1	GASKET,
14	76191768	1	PLUG, 18X1.50
15	75286110	1	WASHER, 6
16	76106580	1	PLUG, 3/8
17	76191772	1	PLUG, 22X1.50

0.043(01) CRANKCASE COVERS

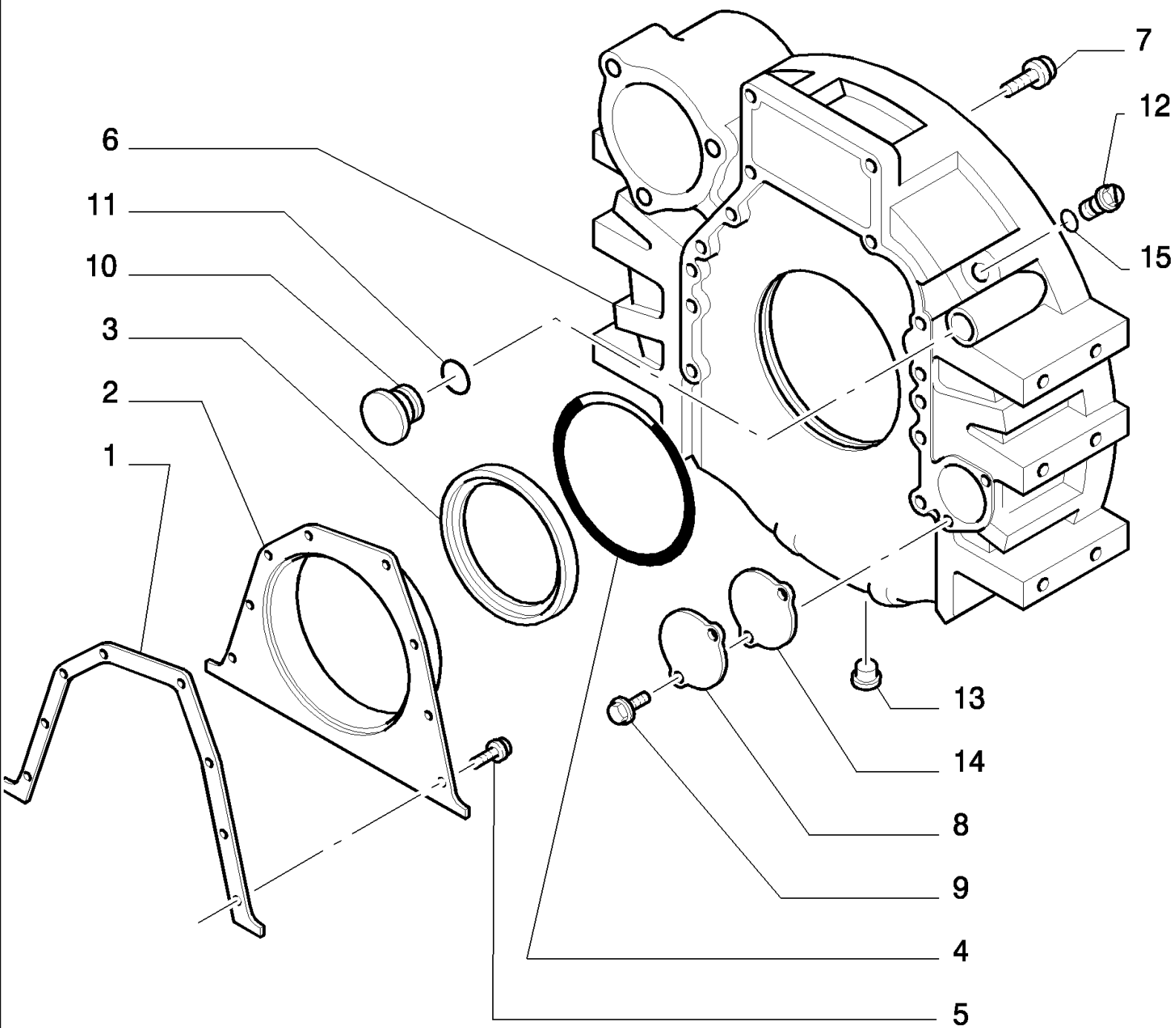




## 0.043(01) CRANKCASE COVERS

Ref	Part Number	Qty	Description
1	76195168	5	
2	76192375	12	SCREW, 8X1.25X16
3	75289681	12	SCREW, 8X1.25X50
4	76195075	1	GASKET,
6	76195170	1	
7	76192446	1	
8	76192320	2	8X1.25X45
9	75208189	1	PLUG,
10	75208188	1	GASKET,

0.043(02) CRANKCASE COVERS

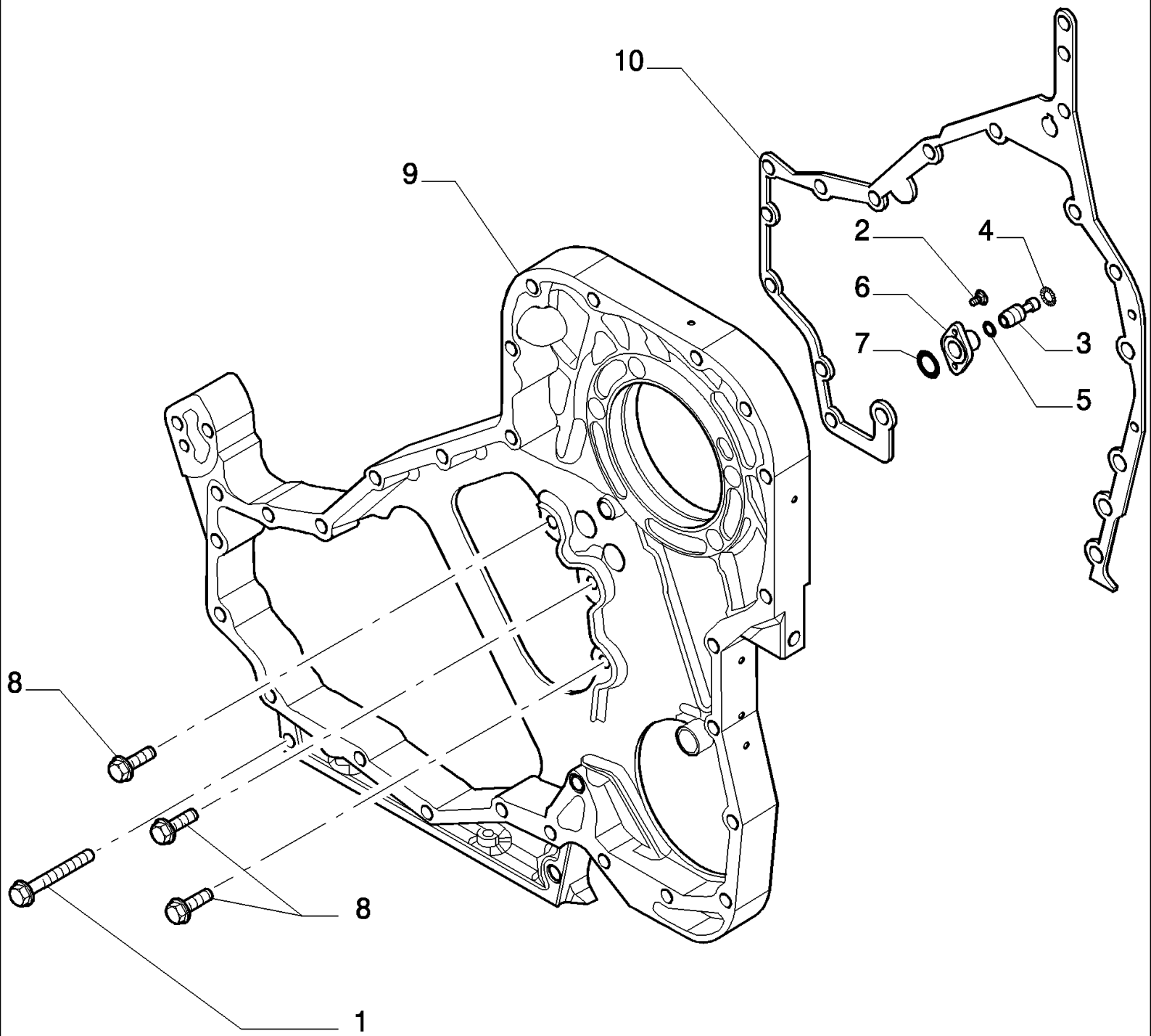


## 1850K CRAWLER DOZER (TIER II) (3/03- )

## 0.043(02) CRANKCASE COVERS

Ref	Part Number	Qty	Description
1	76107832	1	GASKET,
2	76193343	1	COVER,
3	75208111	1	KIT,
4	75208192	1	GASKET,
5	75286074	8	SCREW, 6X1X15
6	76191742	1	BOX, - FLYWHEEL
7	76191759	12	SCREW,
8	75208196	1	COVER,
9	76191758	2	SCREW, 8X1.25X16
10	75208183	1	PLUG,
11	75206842	1	GASKET,
12	76193379	1	PLUG, 3/4-16 UNF
13	76107131	1	PLUG, 3/4 NPT
14	76194728	1	GASKET,
15	76191089	1	O-RING,

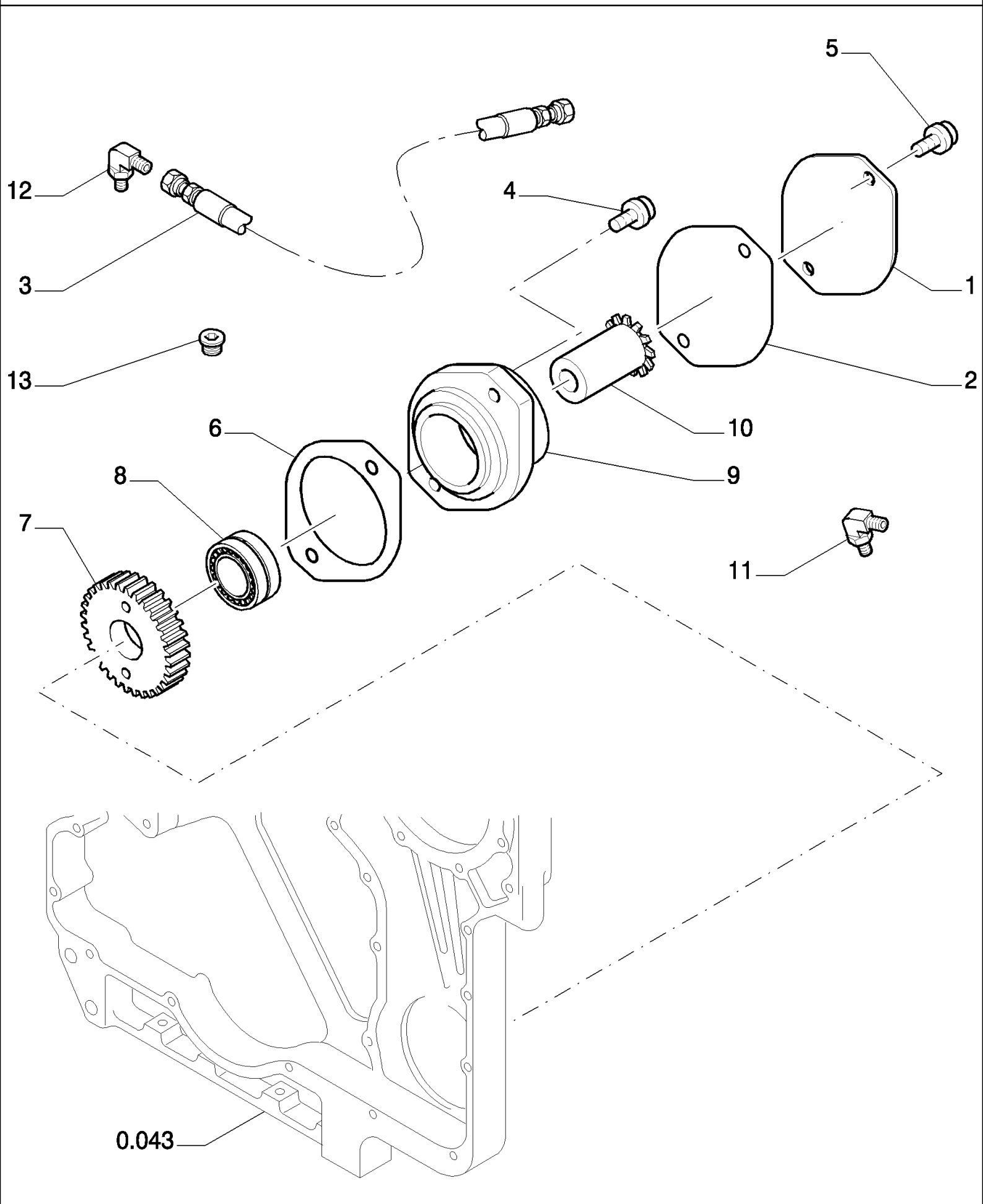
0.043(03) CRANKCASE COVERS



1850K CRAWLER DOZER (TIER II) (3/03- )

0.043(03) CRANKCASE COVERS

Ref	Part Number	Qty	Description
1	76195141	3	
2	75208166	2	SCREW, 5X0.8X17
3	75208165	1	PIN,
4	75208164	1	RING,
5	75208163	1	GASKET,
6	75286664	1	BODY,
7	75286100	1	GASKET,
8	75289679	3	SCREW, 8X1.25X20
9	76195140	1	
10	76195142	1	GASKET,

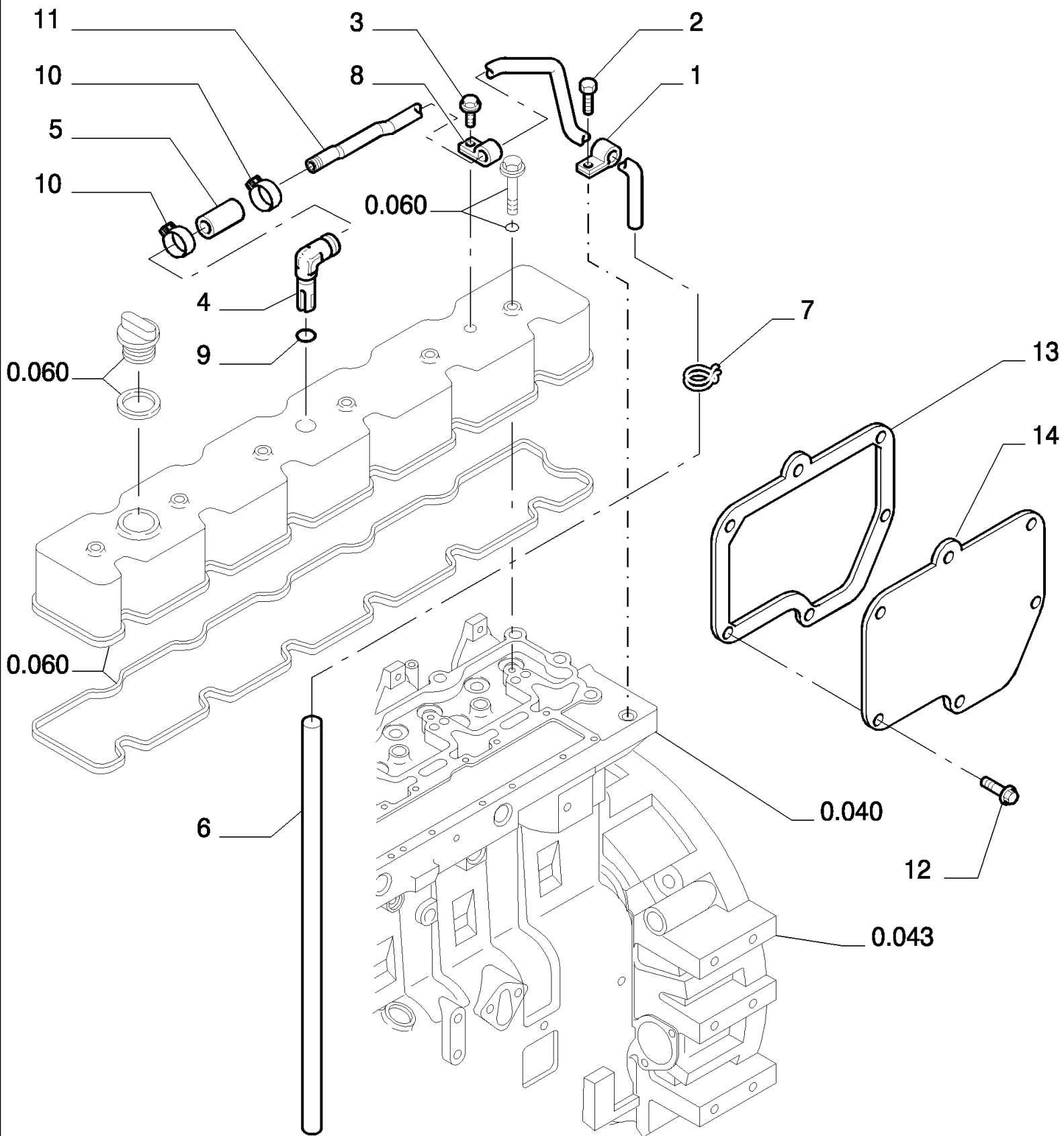


1850K CRAWLER DOZER (TIER II) (3/03- )

0.043(04) CRANKCASE COVERS ENGINE

Ref	Part Number	Qty	Description
1	76191709	1	PLATE,
2	76191121	1	
3	76195146	1	
4	76191751	2	SCREW, 12X1.75X35
5	75204973	2	SCREW, 10X1.5X20
6	76195233	1	GASKET,
7	76195149	1	
8	76195147	1	
9	76195151	1	
10	76195148	1	
11	76195150	1	ELBOW,
12	76102445	1	ELBOW,
13	76190784	2	

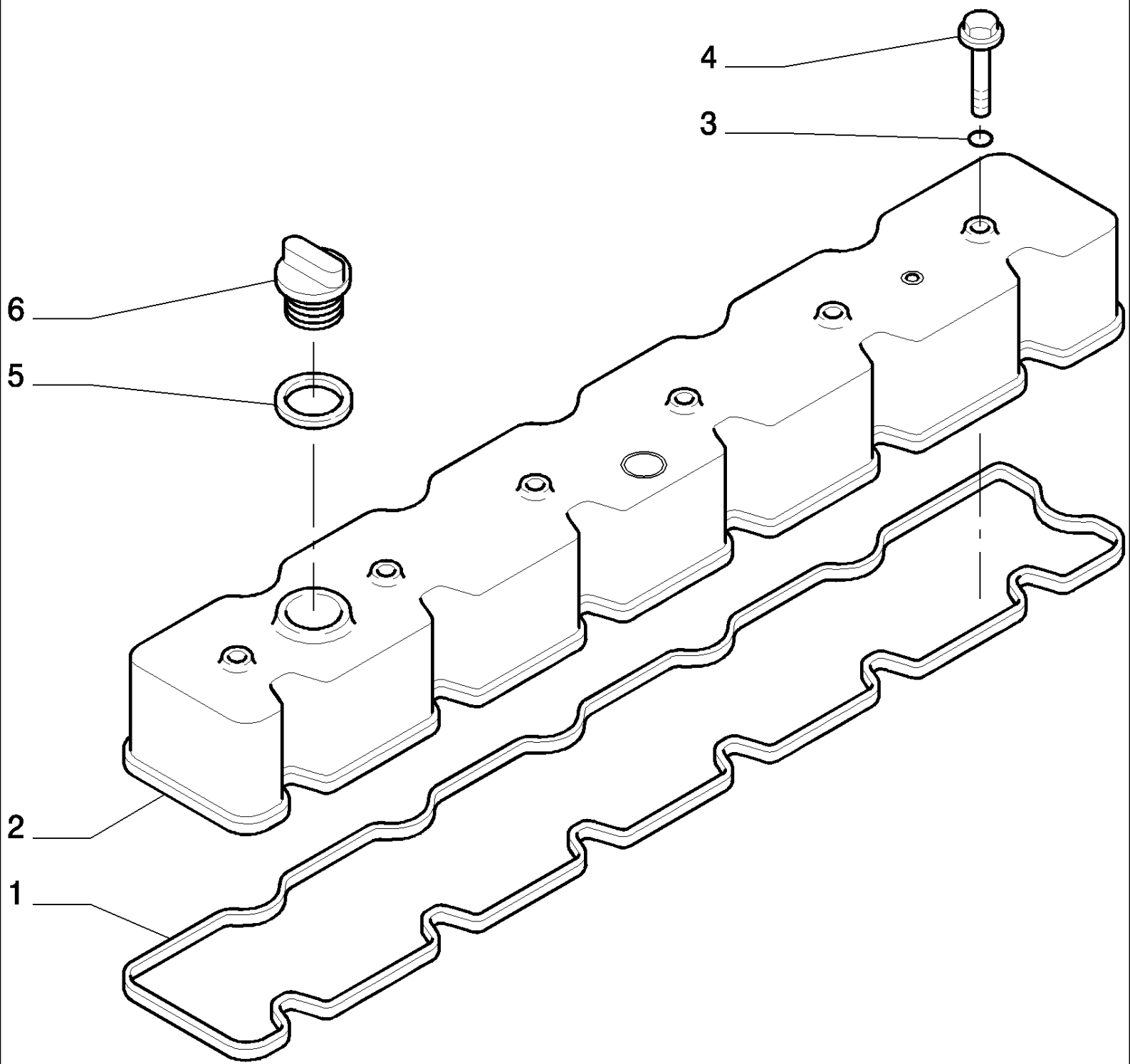
0.045(01) BREATHER - ENGINE





## 0.045(01) BREATHER - ENGINE

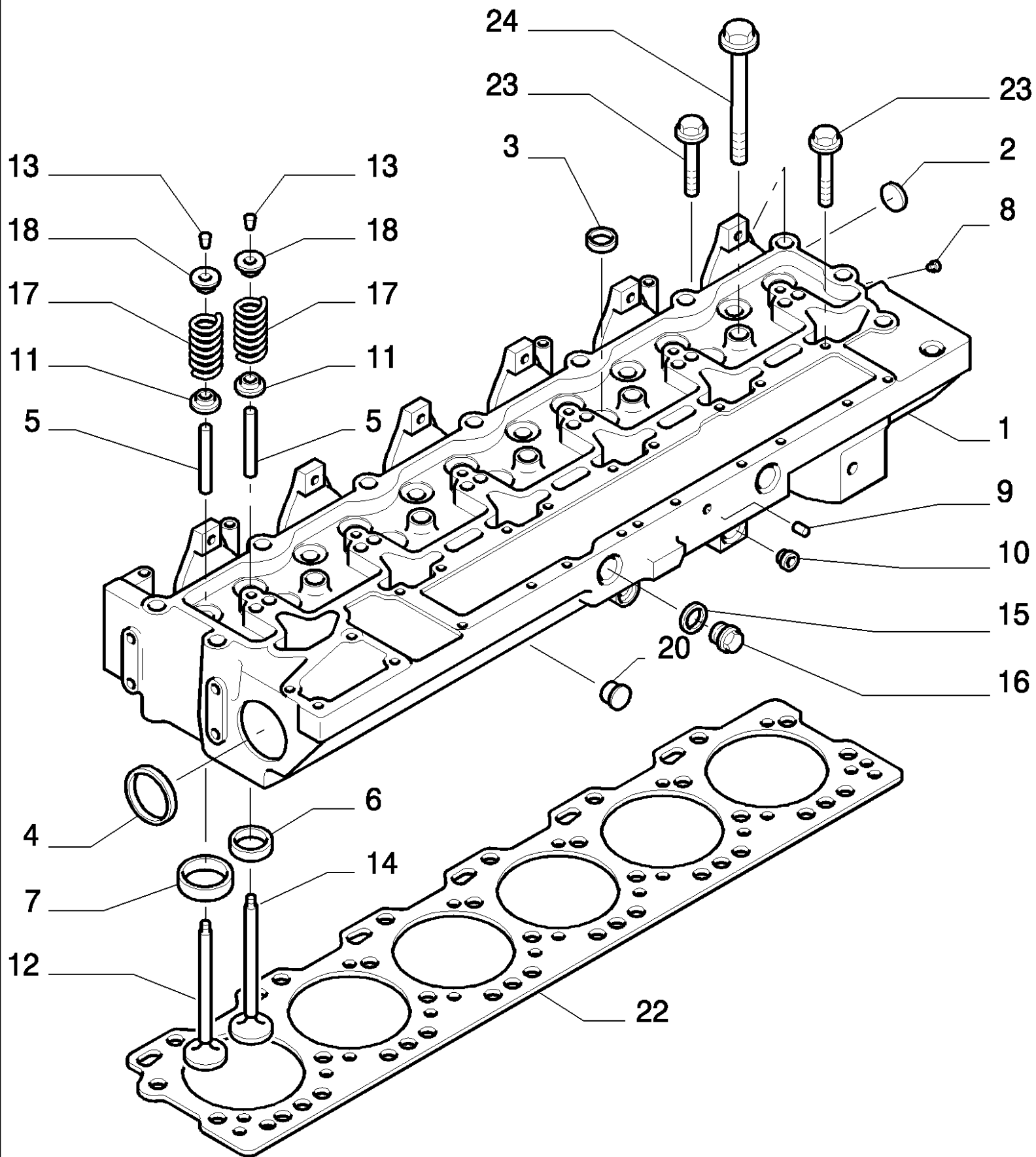
Ref	Part Number	Qty	Description
1	75206809	1	CLAMP,
2	75208347	1	SCREW, 12X1.75X25
3	75208307	1	SCREW, 8X1.25X15
4	76193508	1	CONNECTOR, HYD.,
5	76192273	1	HOSE, FLEXIBLE,
6	76192642	1	HOSE,
7	75208304	1	CLAMP,
8	75208308	1	CLAMP,
9	76194693	1	SEAL,
10	76194692	2	COLLAR,
11	75208301	1	TUBE, RIGID,
12	75286074	6	SCREW, 6X1.00X16
13	76195143	1	
14	76195144	1	



## 1850K CRAWLER DOZER (TIER II) (3/03-)

## 0.060(01) CYLINDER HEAD

Ref	Part Number	Qty	Description
1	75208126	1	GASKET,
2	76192709	1	COVER,
3	76192710	6	O-RING, 1.78X9.25
4	76194753	6	SCREW, 8X1.25X56
5	75208210	1	RING,
6	75208208	1	COVER,

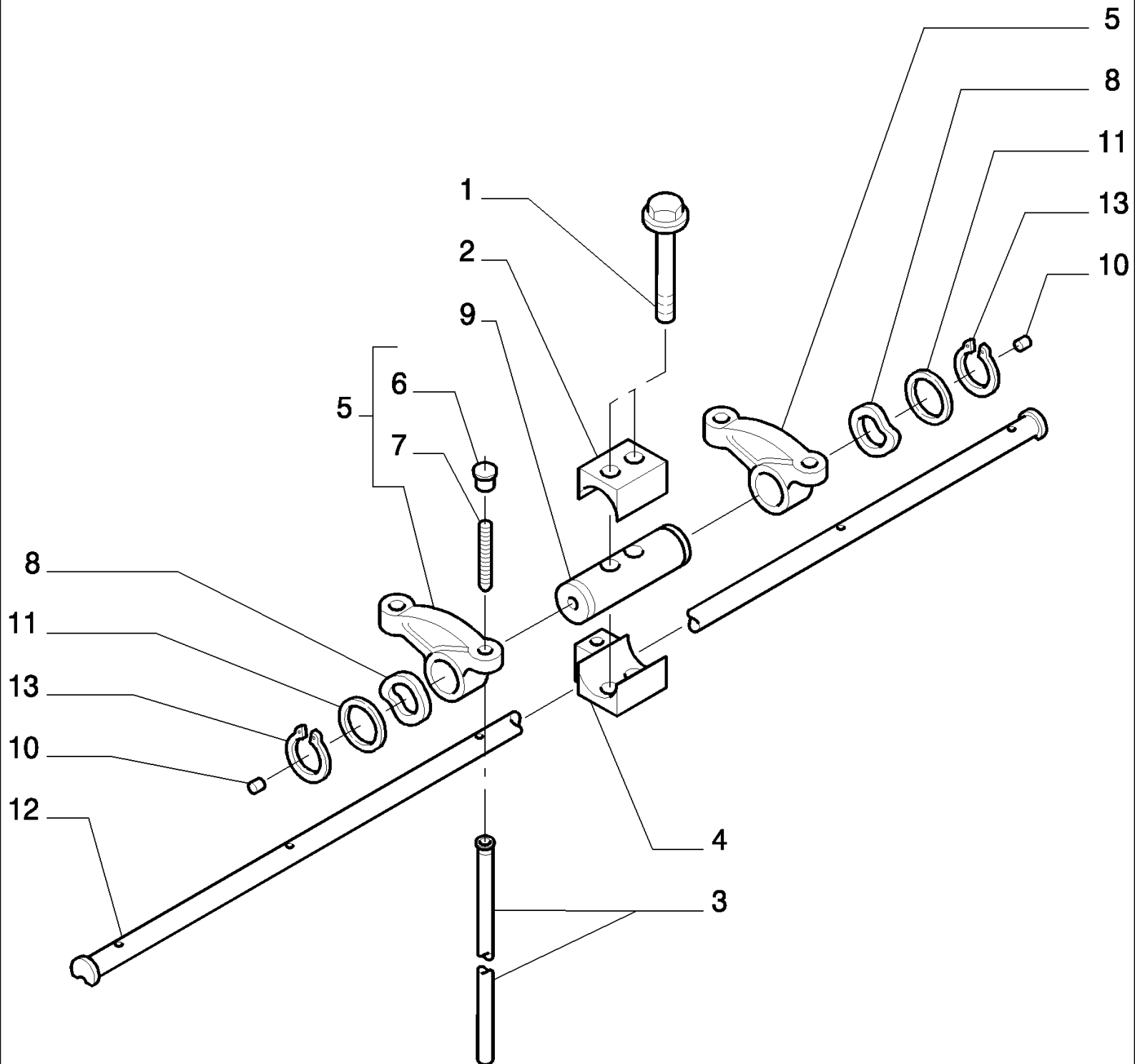


## 1850K CRAWLER DOZER (TIER II) (3/03- )

## 0.060(02) CYLINDER HEAD

Ref	Part Number	Qty	Description
1	76194647	1	
2	76192452	1	
3	76192359	5	
4	75208216	2	PLUG,
5	76192469	12	
6	76192477	6	SEAT/SLOT,
7	76191464	6	
8	75286706	1	PLUG,
9	76191835	1	
10	76190784	1	
11	76194632	6	CUP,
12	76192492	6	VALVE, ENGINE, INLET, STD,
13	75208232	12	COTTER, ROCKER ARM,
14	76107823	6	VALVE, ENG EXHAUST, STD,
15	75208158	2	GASKET,
16	76191772	2	PLUG,
17	76195187	12	
18	76191390	12	CUP,
20	75286707	1	PLUG,
22	76194729	1	GASKET,
23	75286698	12	SCREW, 14X2X80
24	75286699	14	SCREW, 14X2X160

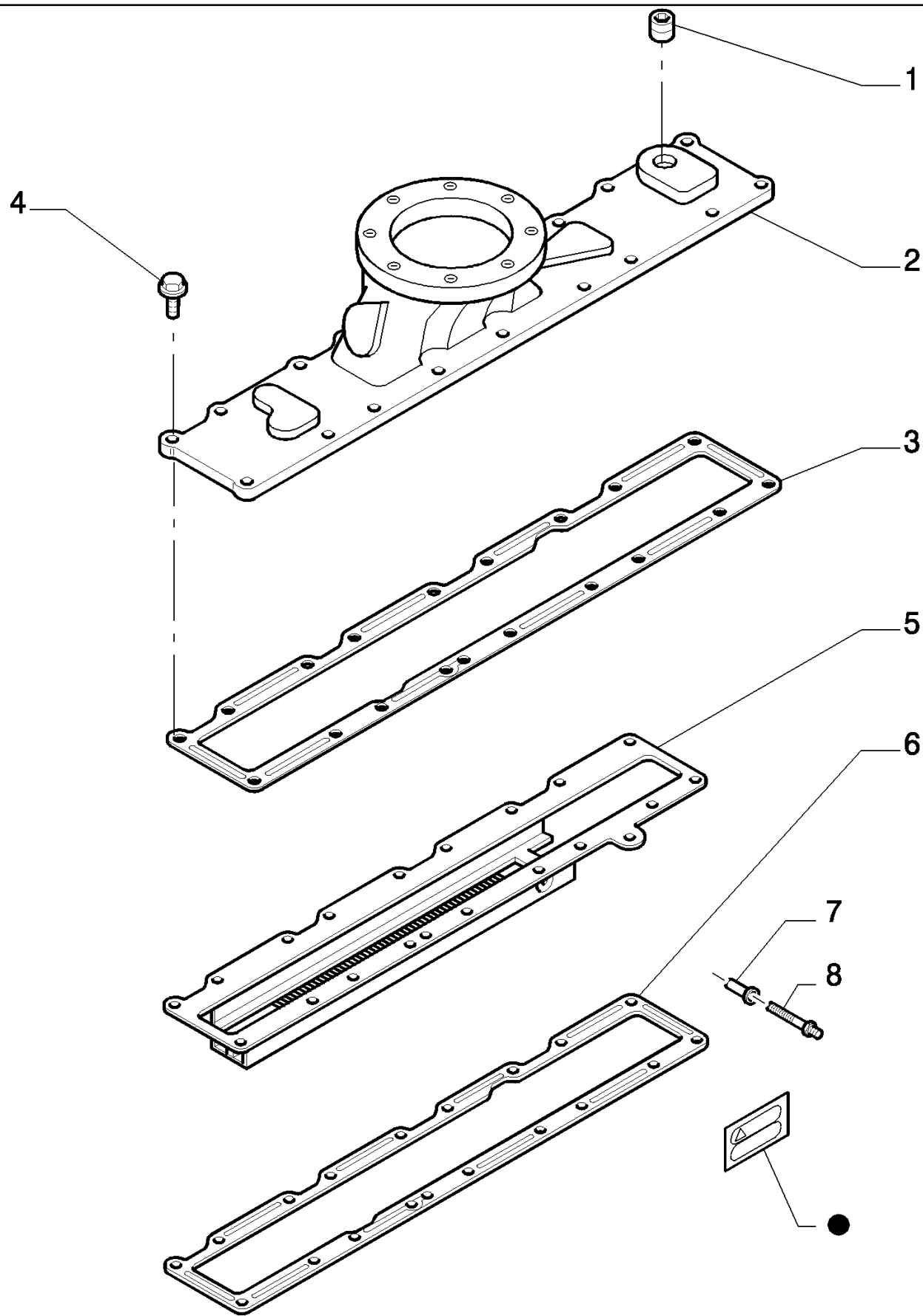
0.060(03) CYLINDER HEAD



## 1850K CRAWLER DOZER (TIER II) (3/03- )

## 0.060(03) CYLINDER HEAD

Ref	Part Number	Qty	Description
1	75208244	12	SCREW, 10X1.5X65
2	75208245	6	SUPPORT,
3	75208249	12	ROD,
4	75208247	6	SUPPORT,
5	75208226	12	ROCKER ARM, - ASSY
6	76191784	1	NUT, 3/8-24
7	76195123	1	SCREW,
8	75208229	12	WASHER,
9	76192201	6	SHAFT,
10	76192631	2	RIVET,
11	75208228	12	WASHER,
12	76191499	1	HOSE, FLEXIBLE,
13	75206820	12	RING,

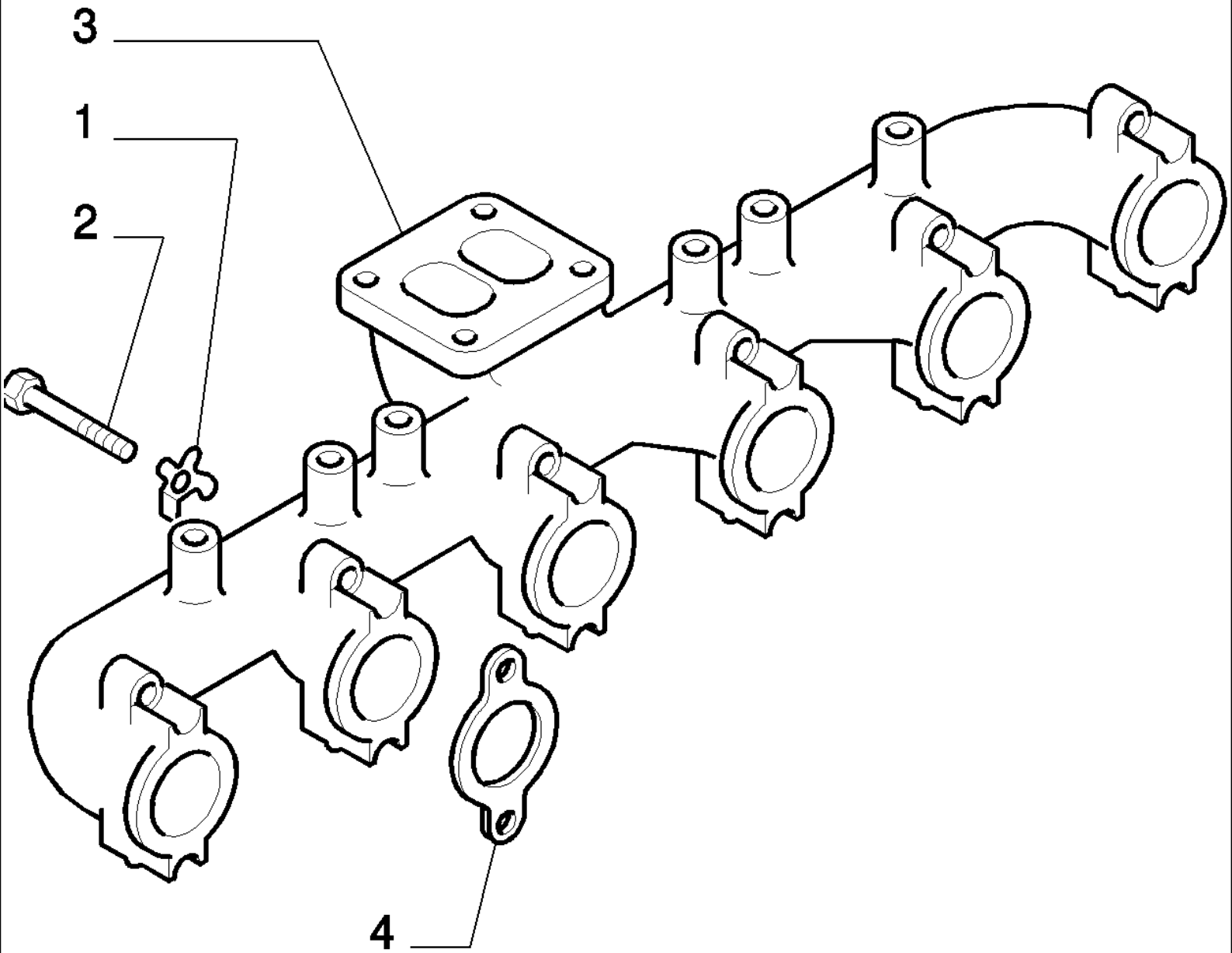


PARTS MARKED ● ARE NOT SUPPLIED AS SPARES  
I PARTICOLARI CONTRASSEGNA TI CON ● NON  
VENGONO FORNITI DI RICAMBIO



## 0.071(01) INTAKE MANIFOLD

Ref	Part Number	Qty	Description
1	76190784	1	
2	76195173	1	
3	76195083	1	GASKET,
4	76195174	18	
5	76193616	1	THERMOSTART,
6	76195083	1	GASKET,
7	76192622	1	BUSHING,
8	76192623	1	SCREW,

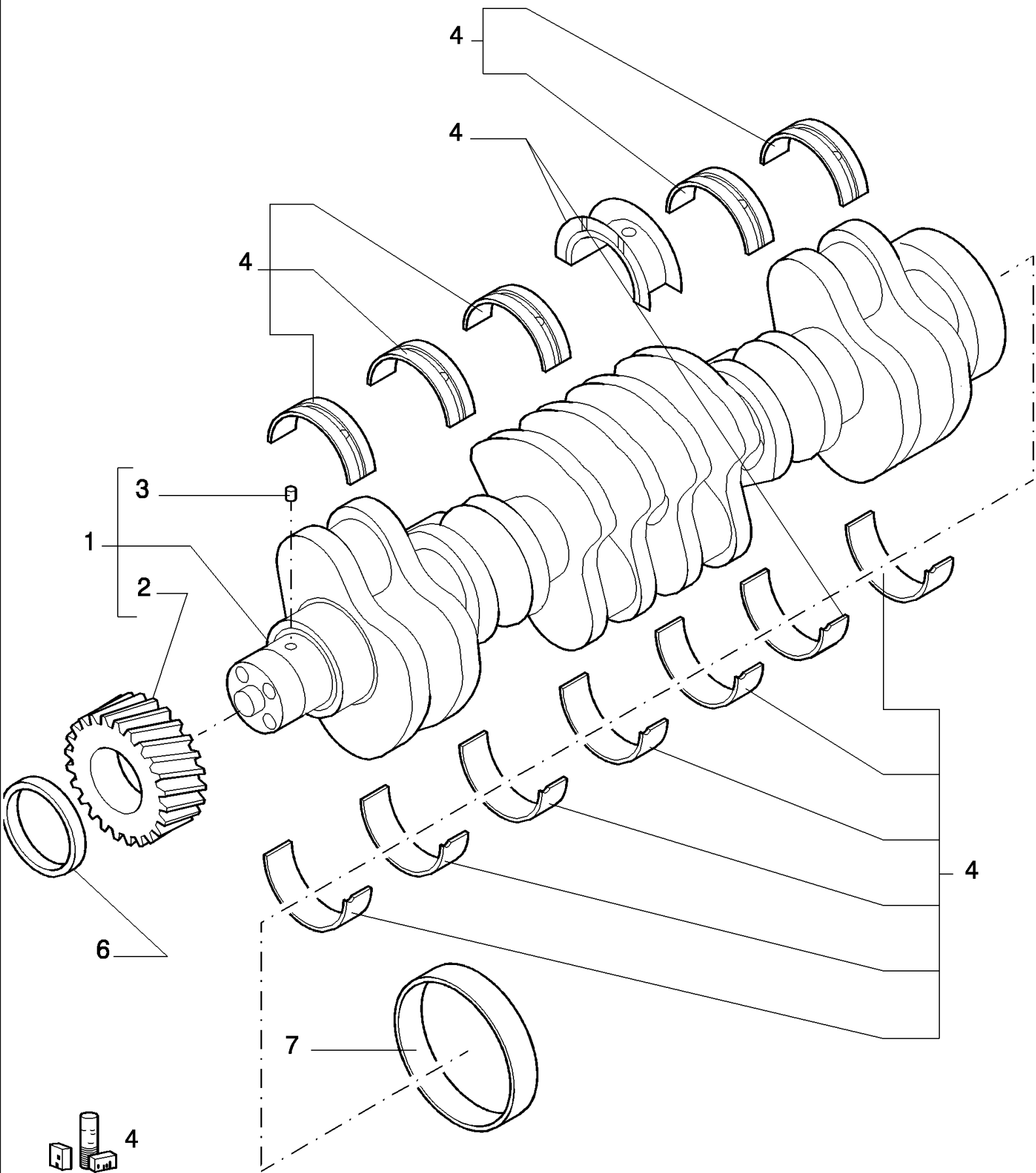


## 1850K CRAWLER DOZER (TIER II) (3/03- )

## 0.077(01) EXHAUST MANIFOLD

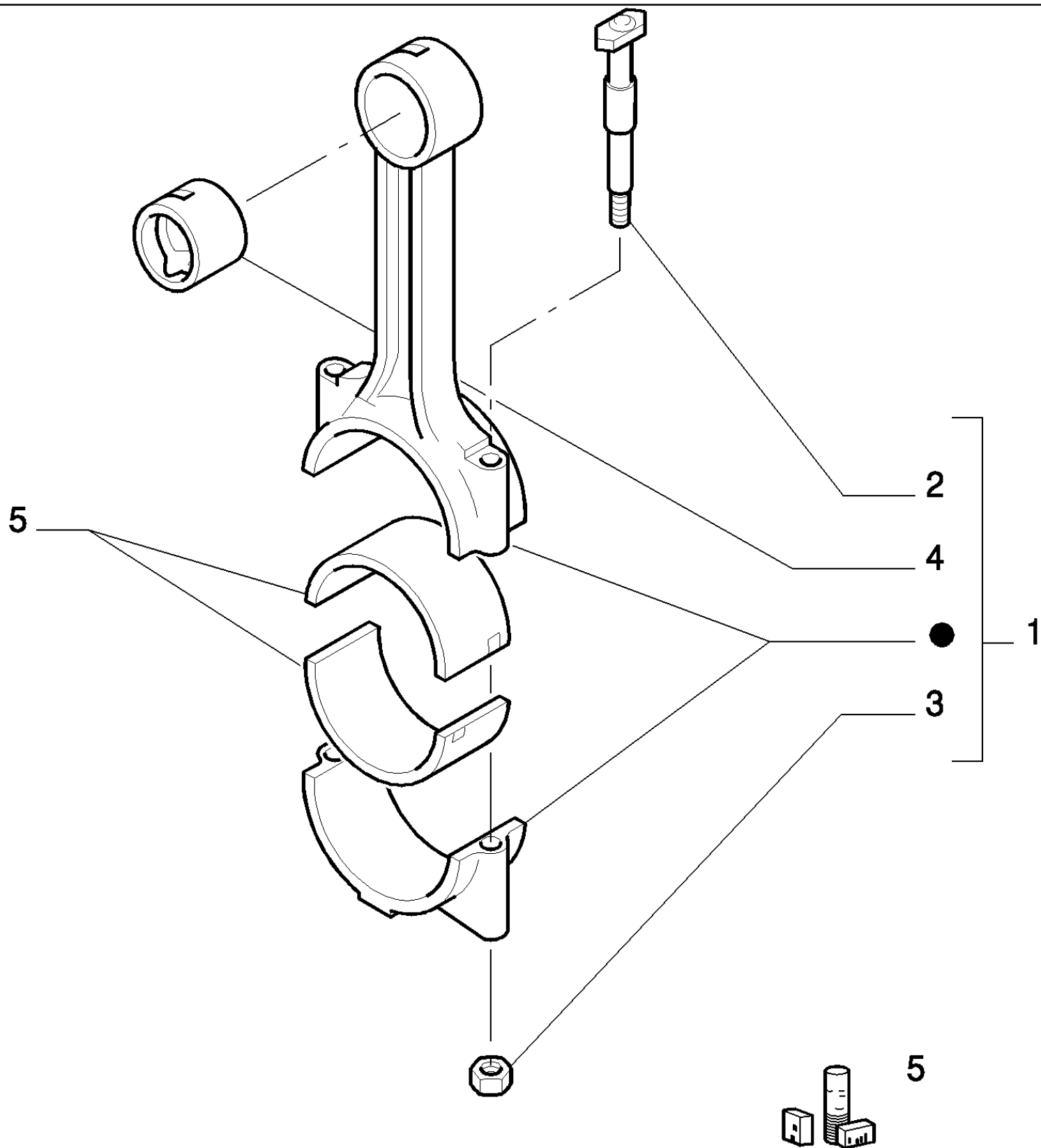
Ref	Part Number	Qty	Description
1	75286617	12	PLATE, LOCKING,
2	76192480	12	BOLT, 10X1.50X70
3	76195211	1	(01-02-03-04)
3	76195243	1	(05)
4	76194651	6	

0.080(01) CRANKSHAFT



## 0.080(01) CRANKSHAFT

Ref	Part Number	Qty	Description
1	76191568	1	CRANKSHAFT, - ASSY
2	76192319	1	GEAR,
3	75208356	1	PIN,
4	76194637	1	
4	76193599	1	KIT, (-0.000)
4	76194518	1	KIT, (-0.254)
4	76194636	1	SET OF MAIN BRGS.STD, (-0.508)
4	76194638	1	
6	76195261	1	- FRONT
7	76193590	1	RING,

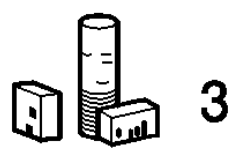
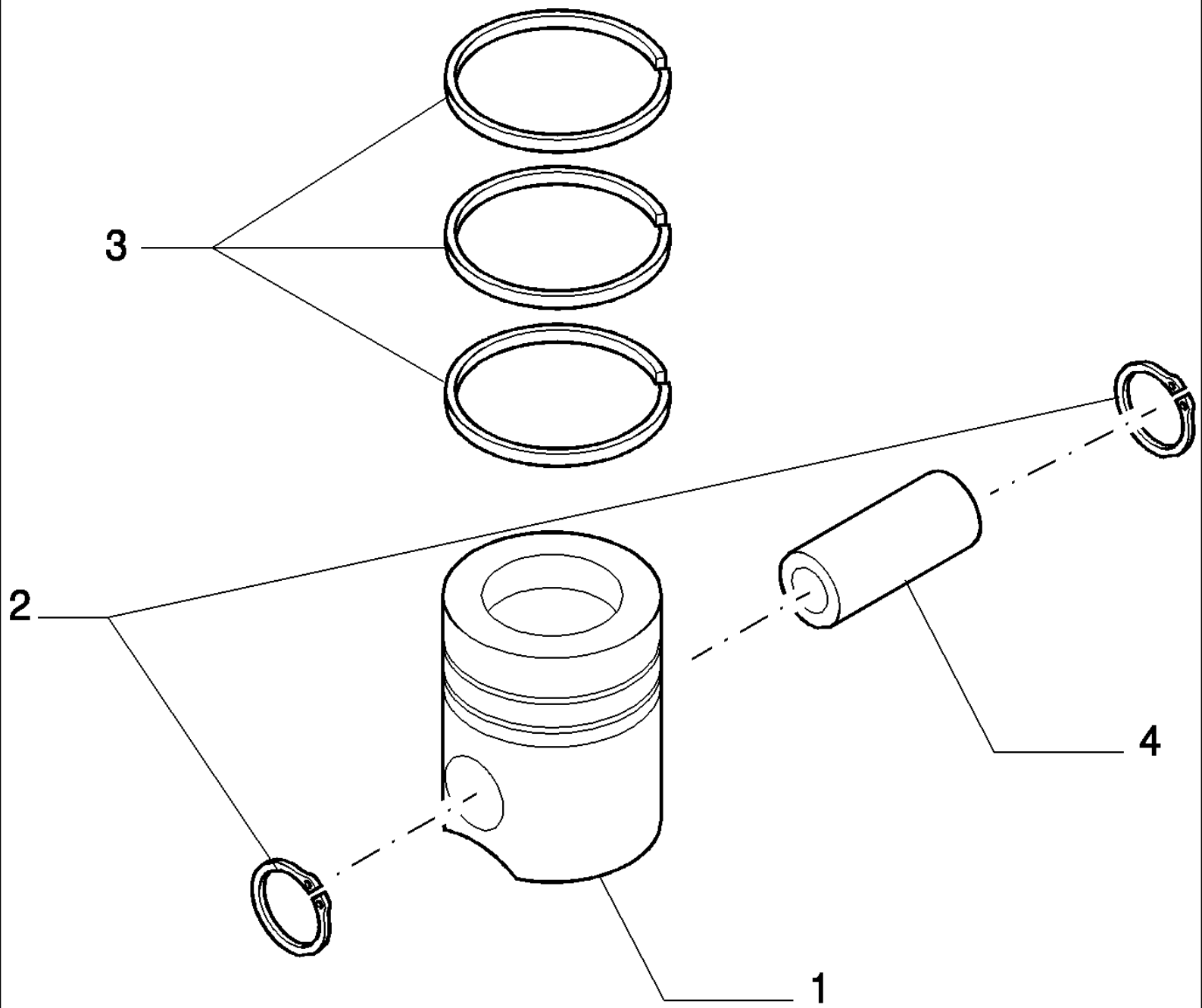


PARTS MARKED ● ARE NOT SUPPLIED AS SPARES  
I PARTICOLARI CONTRASSEGNA TI CON ● NON  
VENGONO FORNITI DI RICAMBIO

## 1850K CRAWLER DOZER (TIER II) (3/03- )

## 0.081(01) CONNECTING ROD

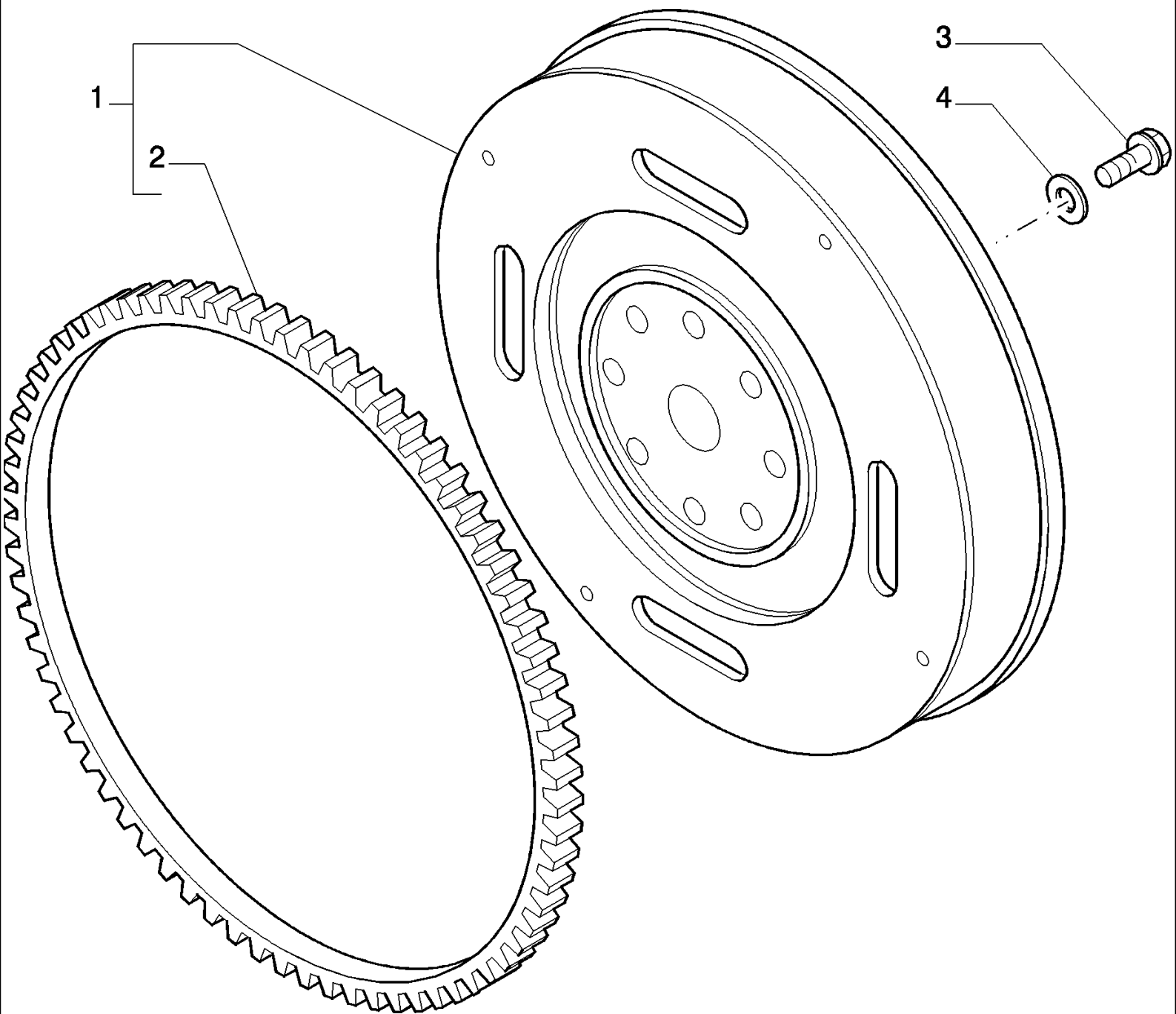
Ref	Part Number	Qty	Description
1	75208204	6	ROD, CONNECTING, - ASSY
2	76192479	2	SCREW,
3	76193483	2	NUT,
4	76191462	1	BUSHING,
5	75206861	R	HALF BEARING, (-0.010)
5	75206862	R	HALF BEARING, (-0.020)
5	75206863	R	HALF BEARING, (-0.030)
5	75208088	12	CONN. ROD SHELL, (-0.000)
5	75206864	12	HALF BEARING,





## 0.082(01) PISTON - ENGINE

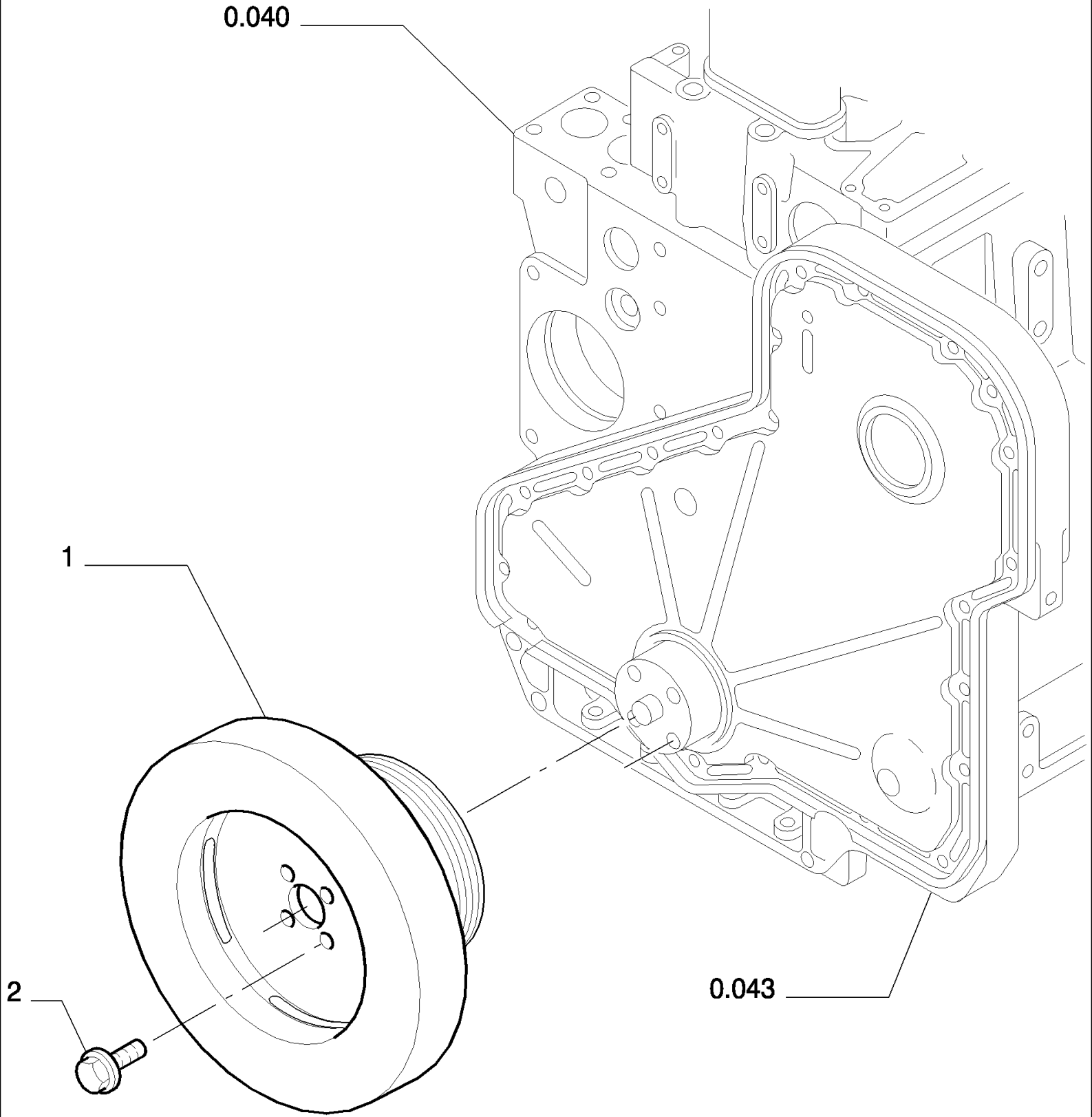
Ref	Part Number	Qty	Description
1	76195181	6	
2	76191770	12	RING, LOCKING,
3	76191691	1	SET OF RINGS, - FOR PISTON RINGS
4	76194747	6	PIN,



1850K CRAWLER DOZER (TIER II) (3/03- )

0.083(01) FLYWHEEL - ENGINE

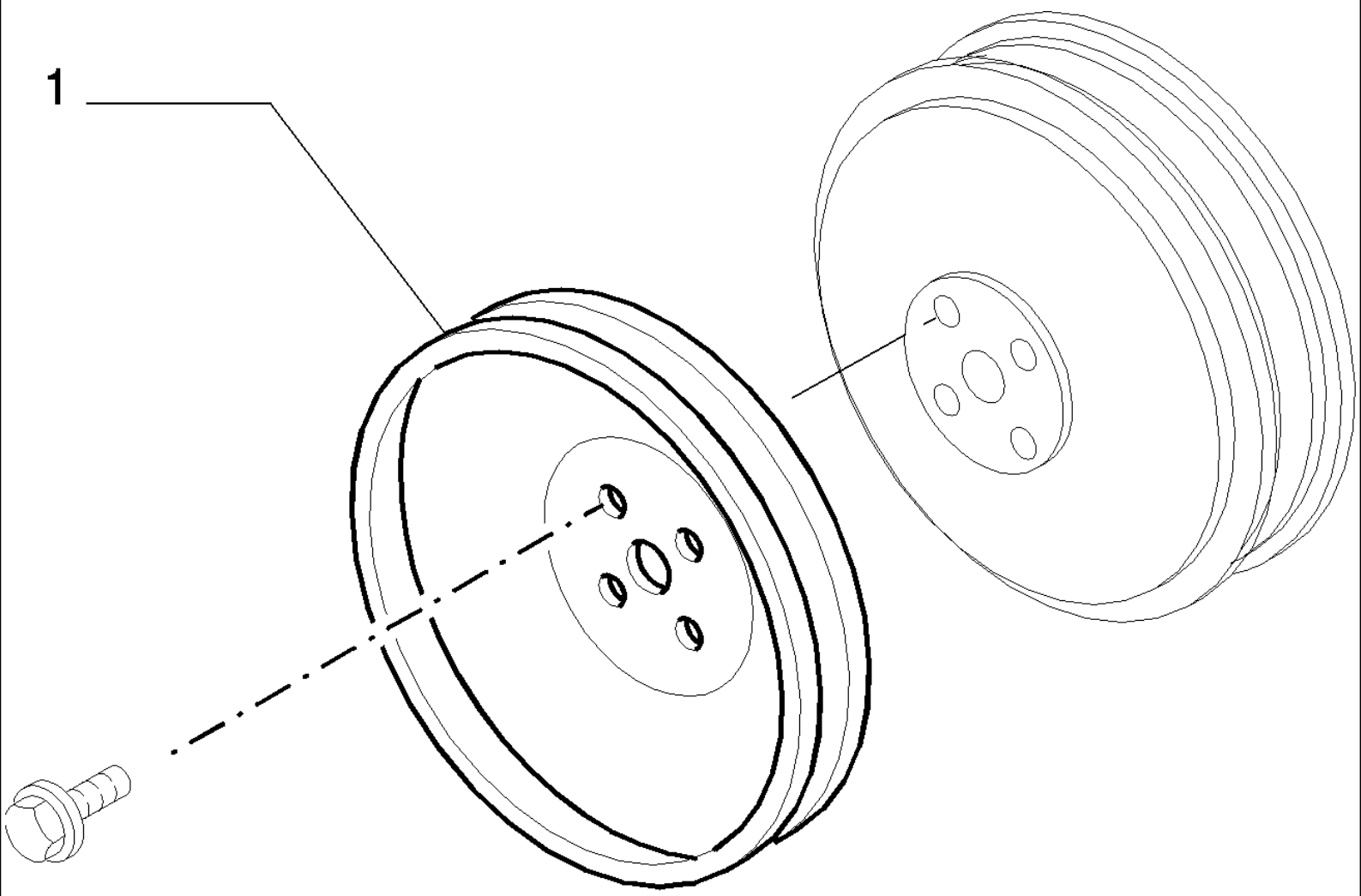
Ref	Part Number	Qty	Description
1	76194738	1	FLYWHEEL, ENGINE, - ASSY
2	76191833	1	GEAR, RING,
3	75208362	8	SCREW, 12X1.25X32
4	75208363	8	WASHER, 12



1850K CRAWLER DOZER (TIER II) (3/03- )

0.084(01) DAMPER

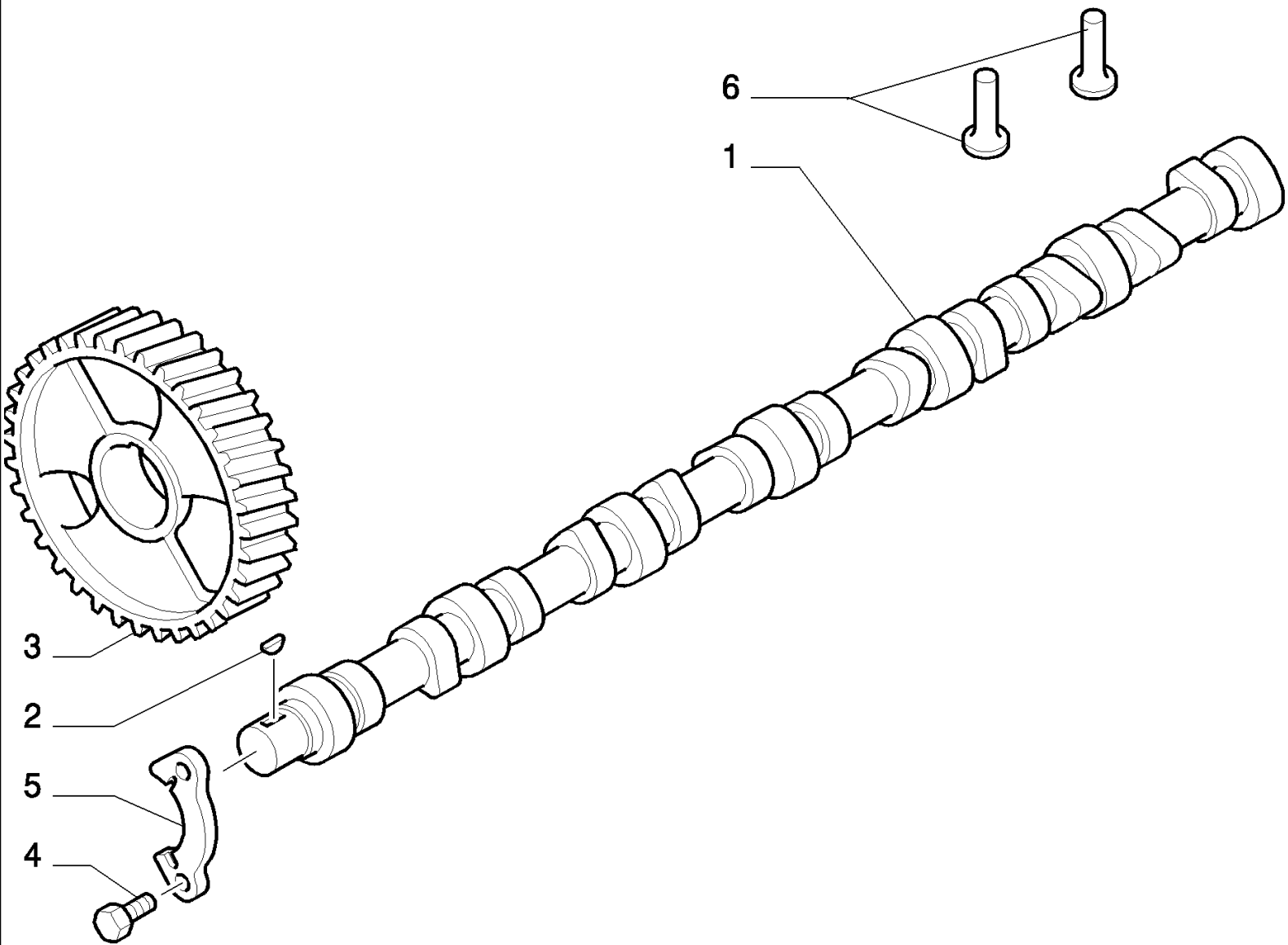
Ref	Part Number	Qty	Description
1	76194680	1	DAMPER,
2	75204971	4	SCREW, 14X1.50X35



1850K CRAWLER DOZER (TIER II) (3/03- )

0.084(02) PULLEY - CRANKSHAFT

Ref	Part Number	Qty	Description
1	75286359	1	PULLEY,



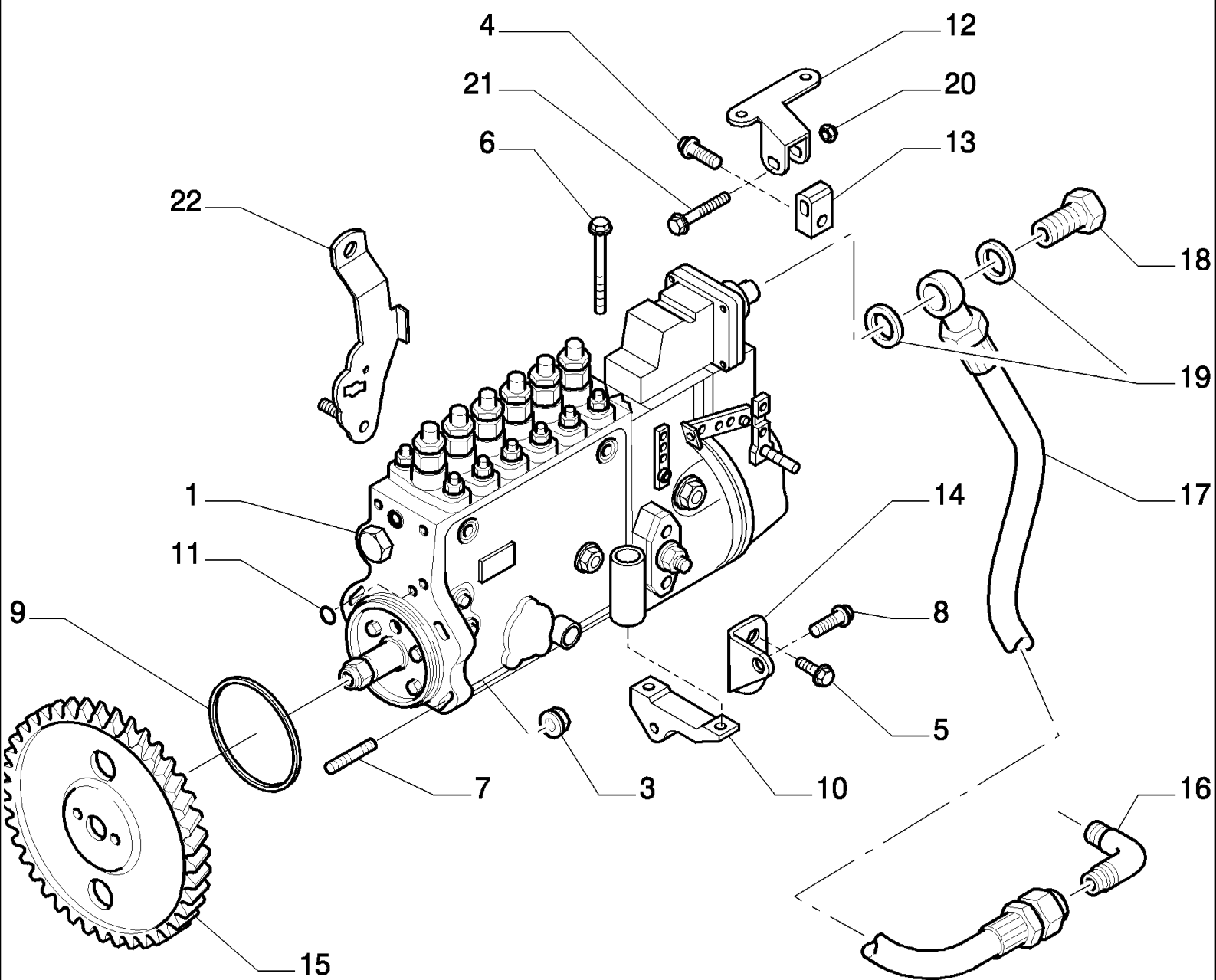


1850K CRAWLER DOZER (TIER II) (3/03- )

0.120(01) CAMSHAFT - TIMING CONTROL

Ref	Part Number	Qty	Description
1	76193556	1	SHAFT,
2	76191769	1	KEY,
3	76192449	1	GEAR,
4	75286076	2	SCREW, 8X1.25X22
5	76192126	1	SUPPORT,
6	76192404	12	TAPPET,

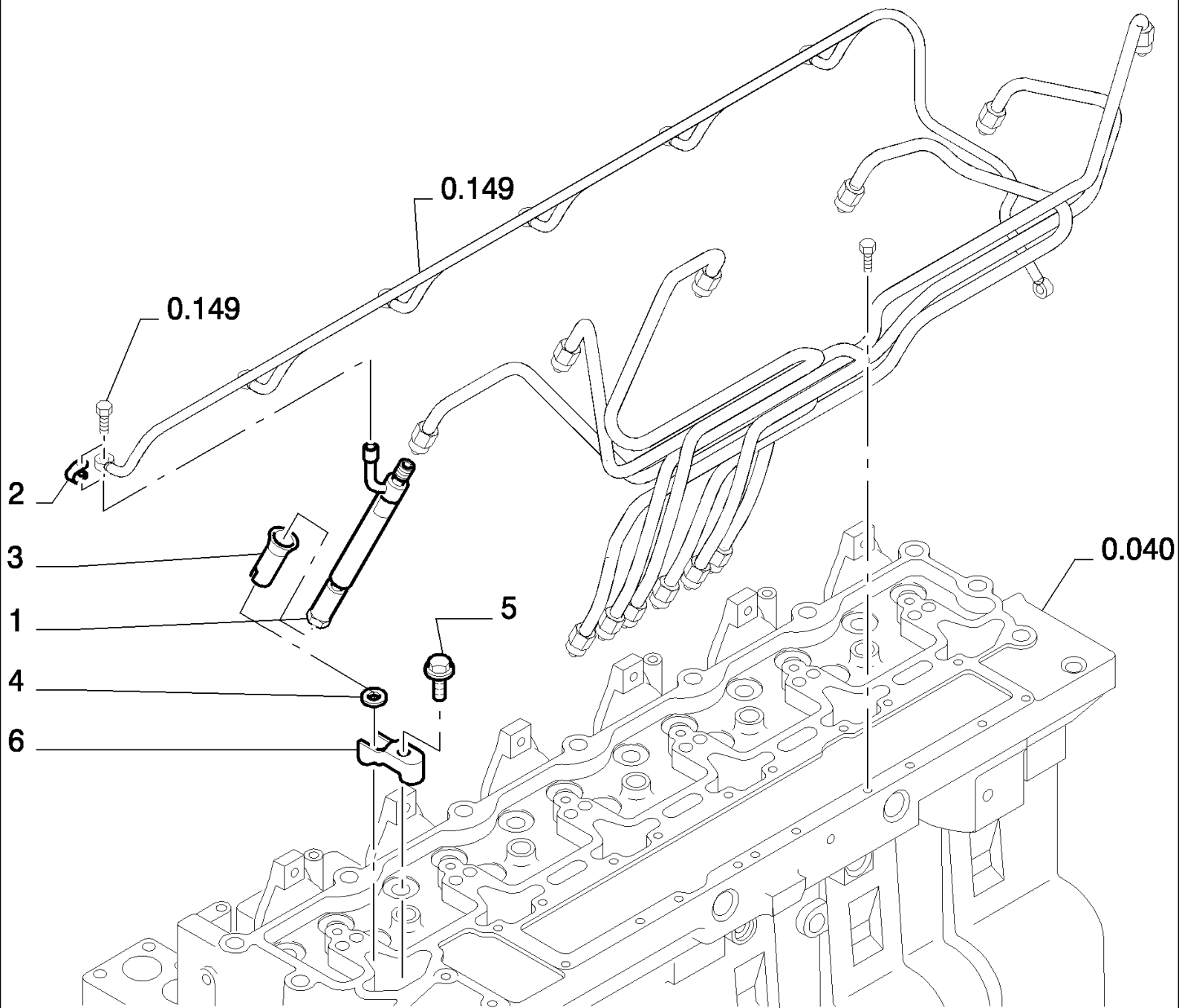
0.140(01) INJECTION PUMP



## 1850K CRAWLER DOZER (TIER II) (3/03- )

## 0.140(01) INJECTION PUMP

Ref	Part Number	Qty	Description
1	76195164	1	(01-02-03-04)
1	76195275	1	(05)
3	75208933	4	NUT, 10X1.5
4	75286134	1	10X1.50X40
5	75204973	2	SCREW, 10X1.50X20
6	76193373	2	8X1.25X90
7	76195264	4	
8	76194652	1	10X1.00X30
9	76194653	1	
10	76194654	1	
11	76194655	1	
12	76195160	1	
13	76195161	1	
14	76195162	1	
15	76194659	1	
16	76195163	1	
17	76192309	1	HOSE, FLEXIBLE,
18	76192310	1	BOLT, BANJO, 10X1X19
19	76192311	2	O-RING,
20	76191876	1	NUT, 8X1.25
21	75208321	1	SCREW, 8X1.25X45
22	76195265	1	

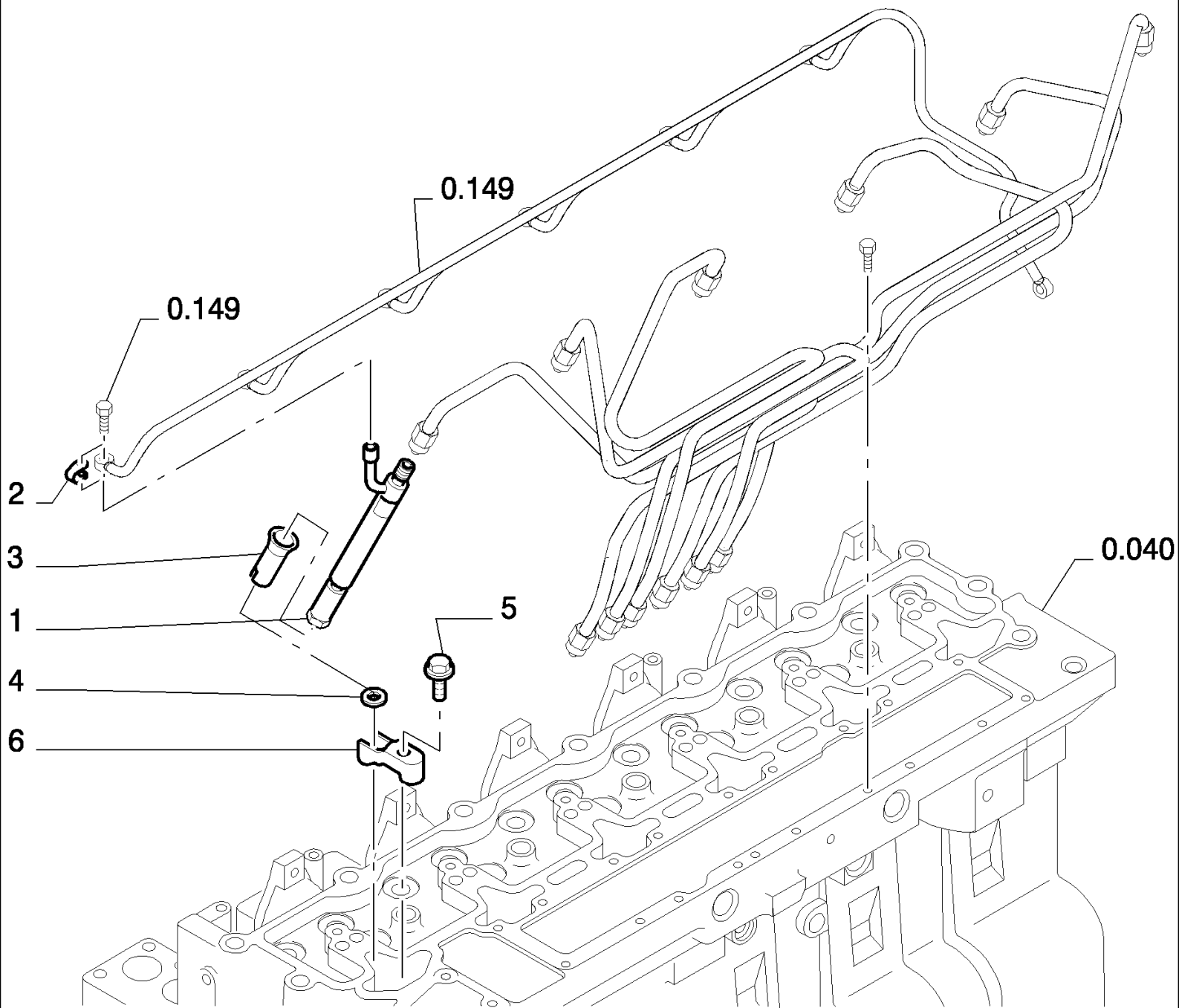


1850K CRAWLER DOZER (TIER II) (3/03- )

0.140(02) INJECTION PUMP - VERSION (01-02-03-04)

Ref	Part Number	Qty	Description
1	76195242	6	
2	75208924	6	U-BOLT,
3	75208929	6	CASE,
4	75208928	6	WASHER,
5	75208926	6	SCREW, 8X1.25X80
6	75208930	6	SUPPORT,

INJECTION PUMP ASSY P/N 76192482

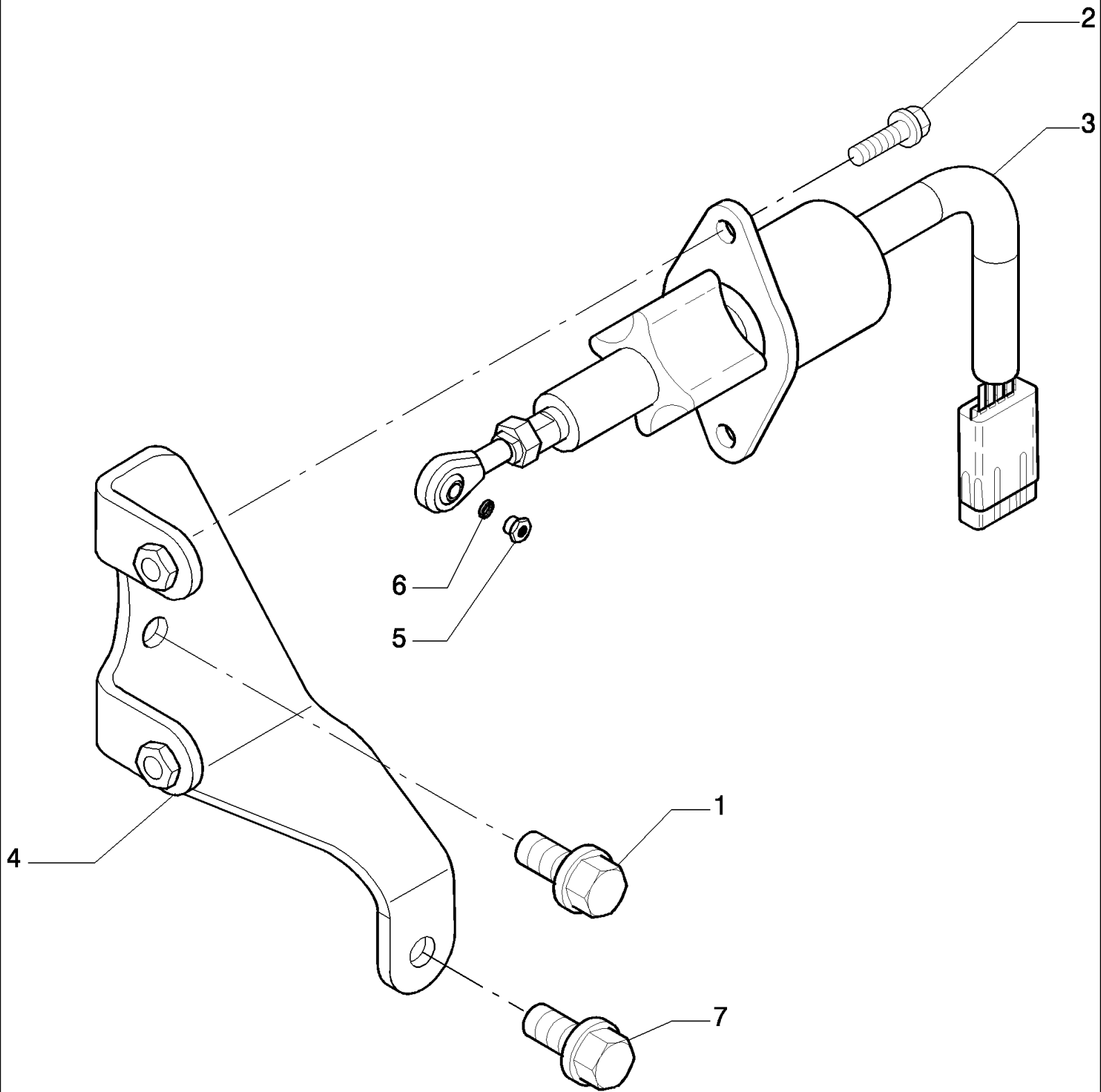


1850K CRAWLER DOZER (TIER II) (3/03- )

0.140(03) INJECTION PUMP - VERSION (05)

Ref	Part Number	Qty	Description
1	76195276	6	
2	75208924	6	U-BOLT,
3	75208929	6	CASE,
4	75208928	6	WASHER,
5	75208926	6	SCREW, 8X1.25X80
6	75208930	6	SUPPORT,

INJECTION PUMP ASSY P/N 76192438

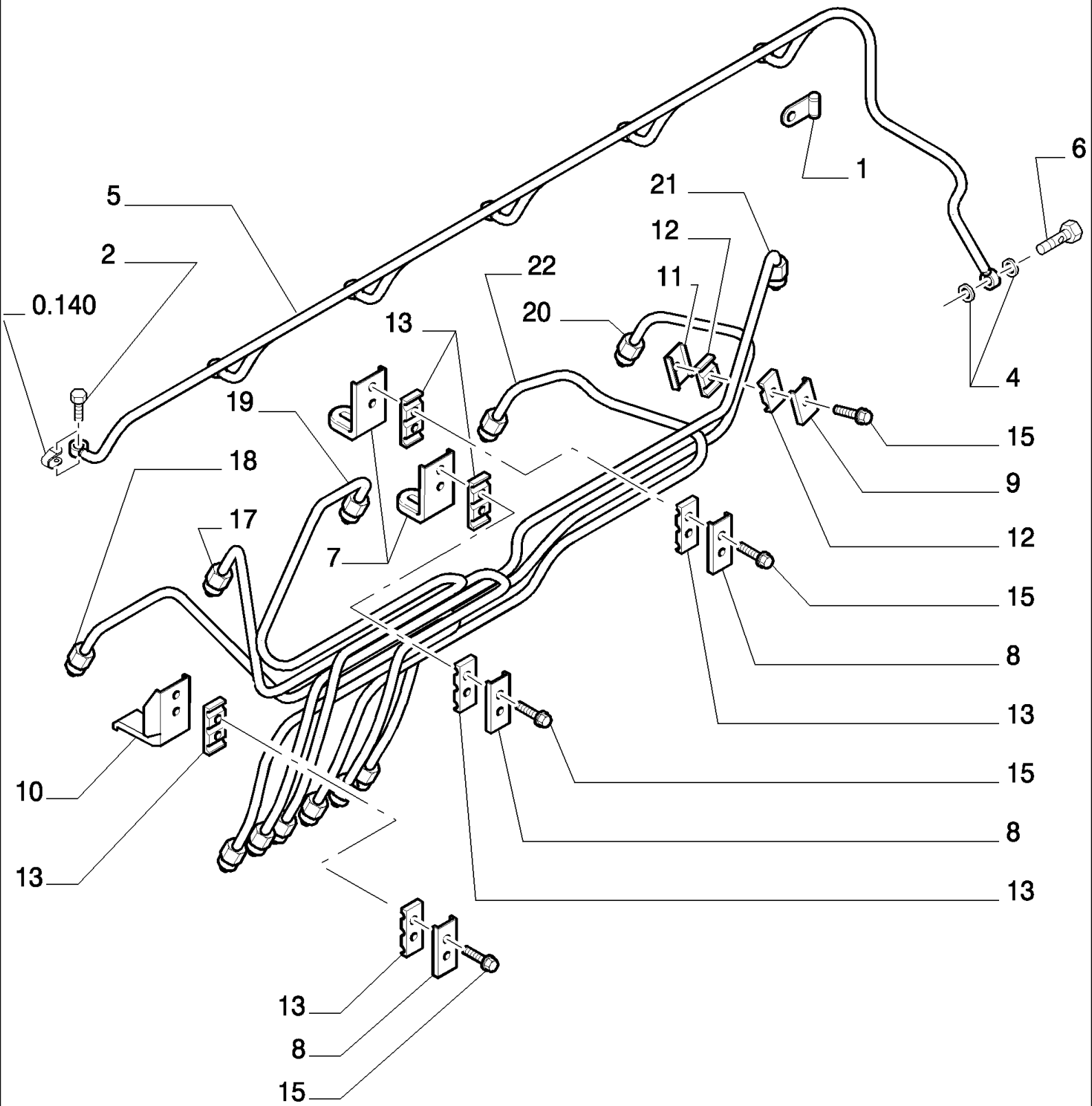




## 1850K CRAWLER DOZER (TIER II) (3/03- )

## 0.146(01) ENGINE STOP

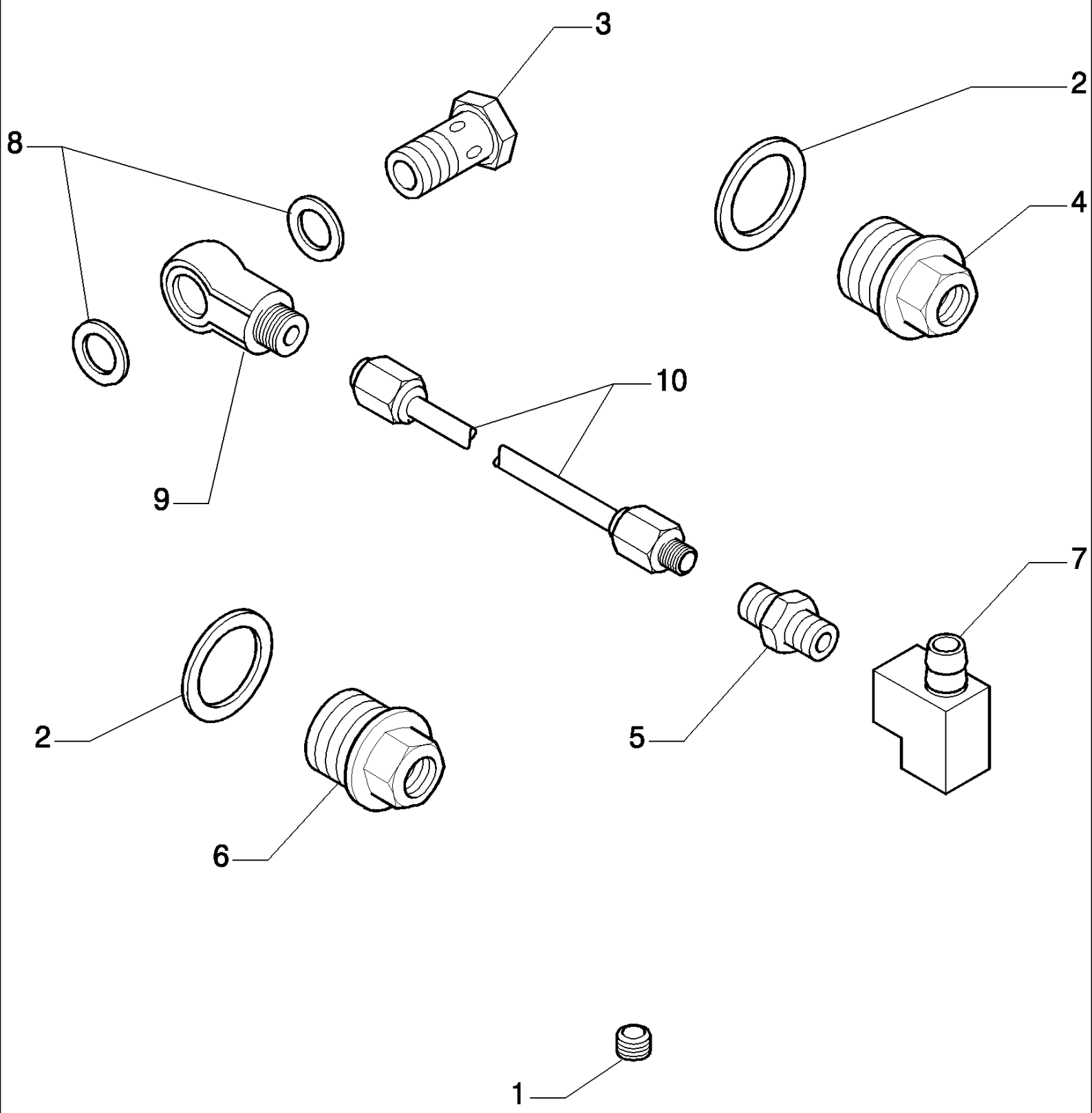
Ref	Part Number	Qty	Description
1	75208153	1	SCREW, 8X1.25X20
2	75286074	2	SCREW, 6X1.00X16
3	76195167	1	SOLENOID, Fuel Shutoff Solenoid
4	76195166	1	SUPPORT,
5	76192490	1	NUT,
6	76194575	1	WASHER,
7	75204973	1	SCREW, 10X1.50X20



1850K CRAWLER DOZER (TIER II) (3/03- )

0.149(01) INJECTION EQUIPMENT - PIPING

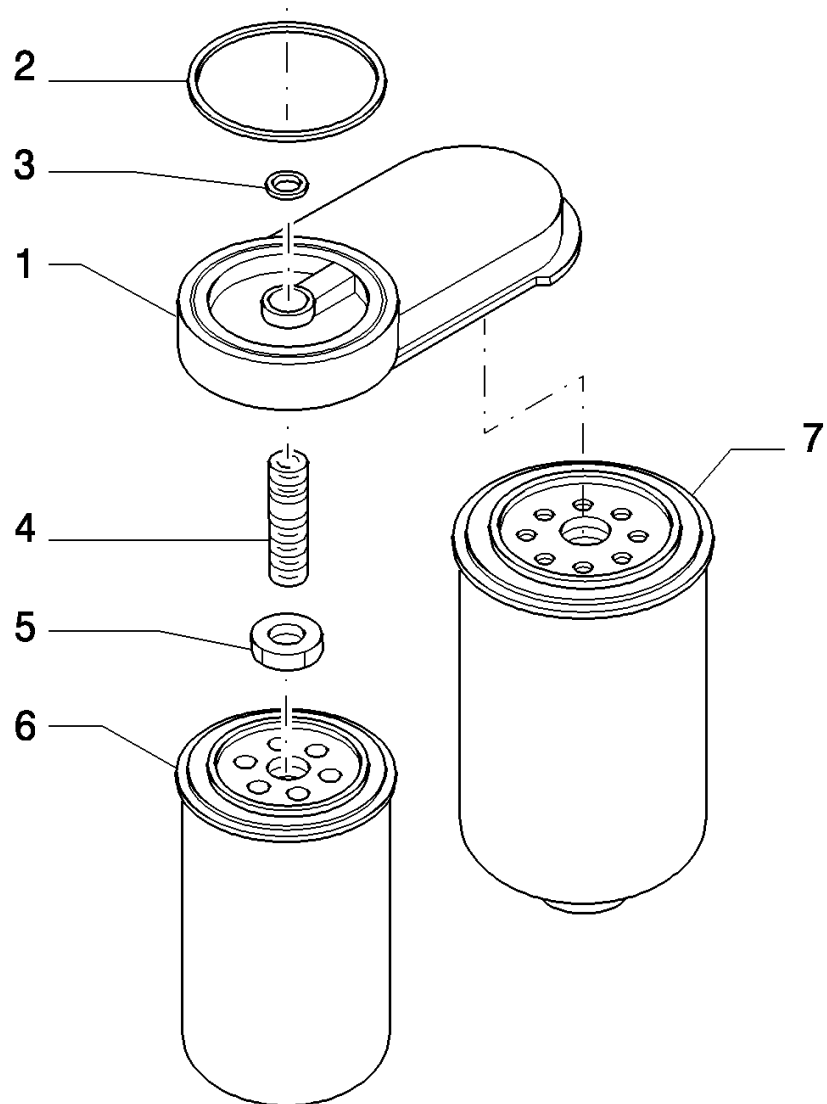
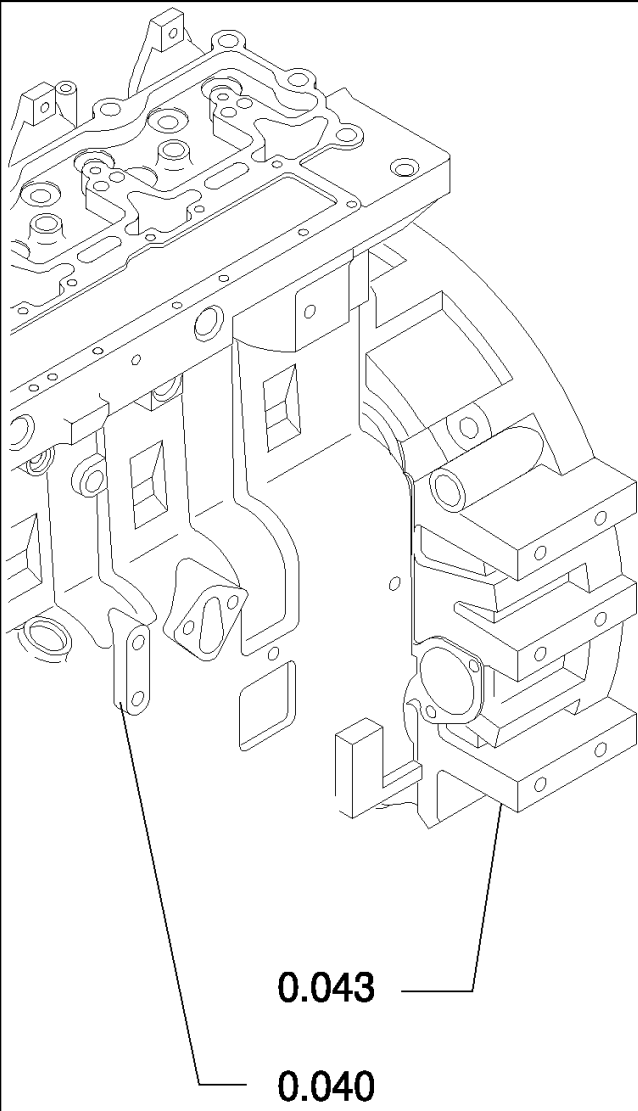
Ref	Part Number	Qty	Description
1	76191757	1	CLIP,
2	76193560	6	SCREW, 6X1X16.3
4	76191761	2	WASHER, SEALING,
5	76192300	1	PIPE,
6	76191704	1	BOLT, BANJO, 8X1.25X17.5
7	76192582	2	BRACKET,
8	76195270	3	
9	76195271	1	
10	76195273	1	
11	76195272	1	
12	76192006	2	INSULATOR BLOCK,
13	76192112	6	INSULATOR BLOCK,
15	76192454	7	SCREW, 5X0.8X24.5
17	76195268	1	
18	76195267	1	
19	76195269	1	
20	76195255	1	
21	76195256	1	
22	76195254	1	



## 0.149(02) INJECTION EQUIPMENT - PIPING

Ref	Part Number	Qty	Description
1	76191835	1	
2	75208158	2	GASKET,
3	75286123	1	BOLT, BANJO,
4	76192295	1	CONNECTOR, HYD.,
5	76192296	1	CONNECTOR, HYD.,
6	76192458	1	CONNECTOR, HYD.,
7	76193485	1	CONNECTOR, HYD.,
8	76193496	2	GASKET,
9	76195263	1	
10	76195262	1	

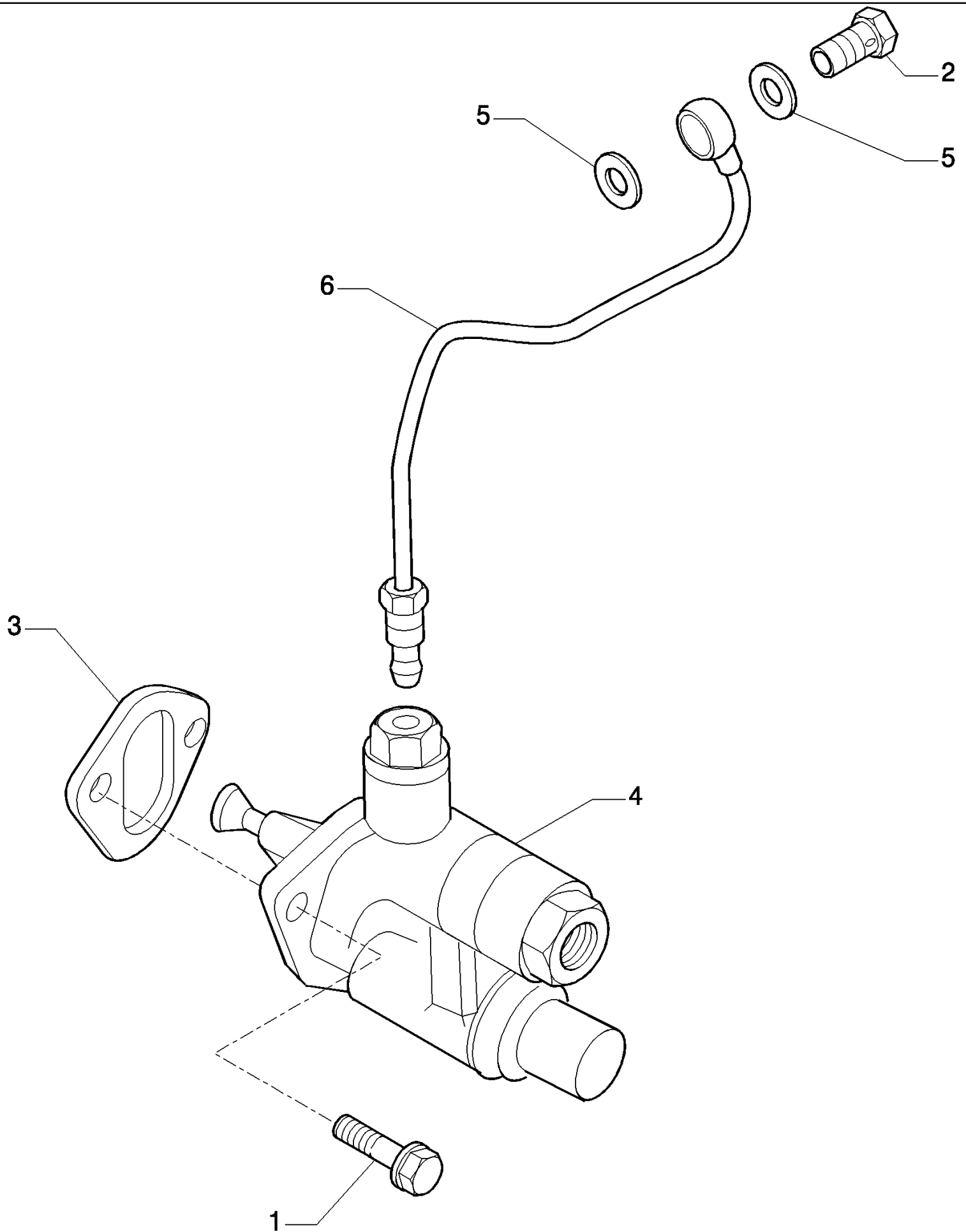
0.200(01) FUEL FILTER



## 1850K CRAWLER DOZER (TIER II) (3/03- )

## 0.200(01) FUEL FILTER

Ref	Part Number	Qty	Description
1	76194749	1	HEAD, FILTER, - FILTER
2	75208267	1	GASKET,
3	75286620	1	GASKET,
4	76192376	1	CONNECTOR, HYD., 16X1.50
5	75208271	1	NUT, 16X1.5
6	75208272	1	FILTER, FUEL,
7	76107829	1	FILTER, FUEL,

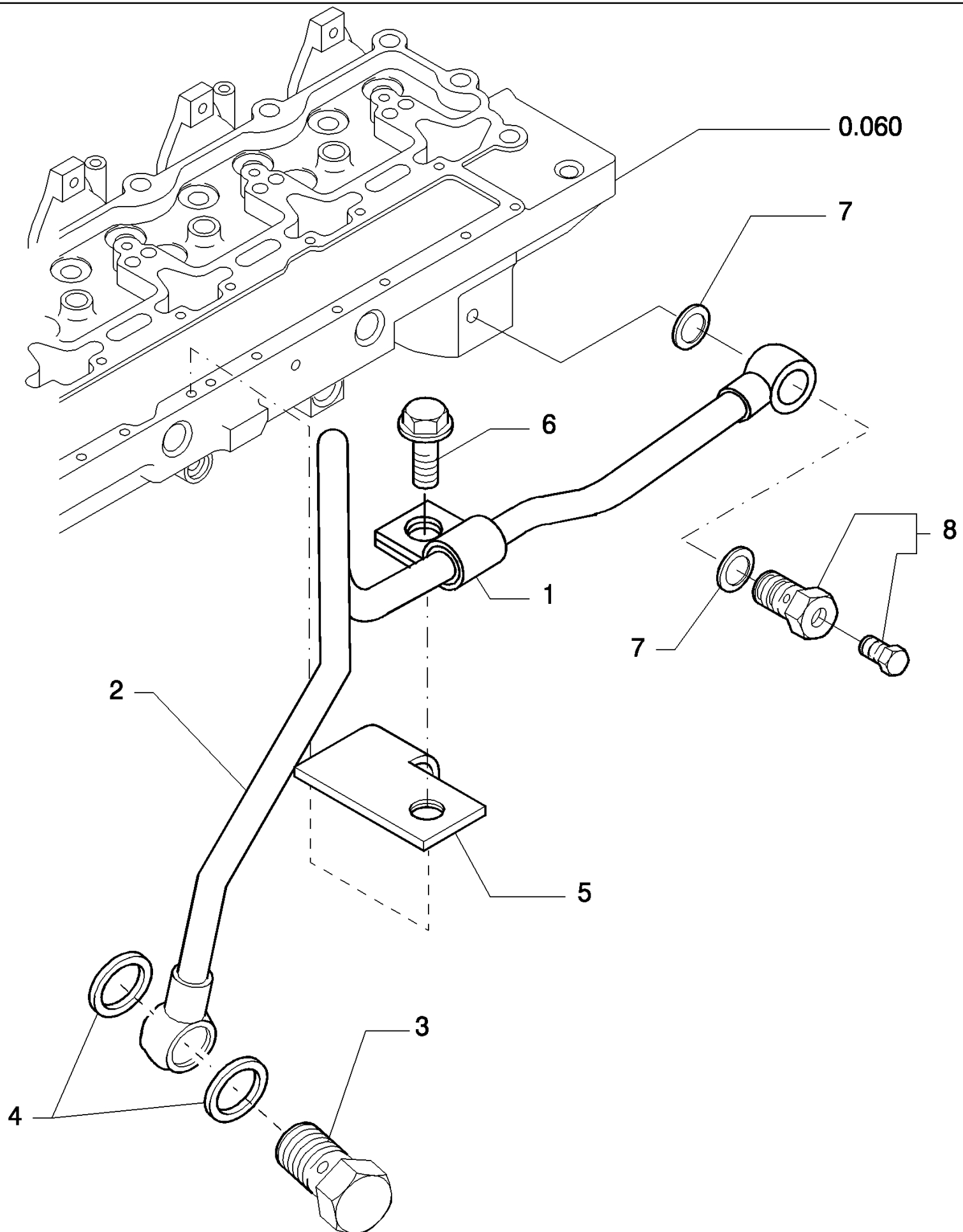




## 1850K CRAWLER DOZER (TIER II) (3/03-)

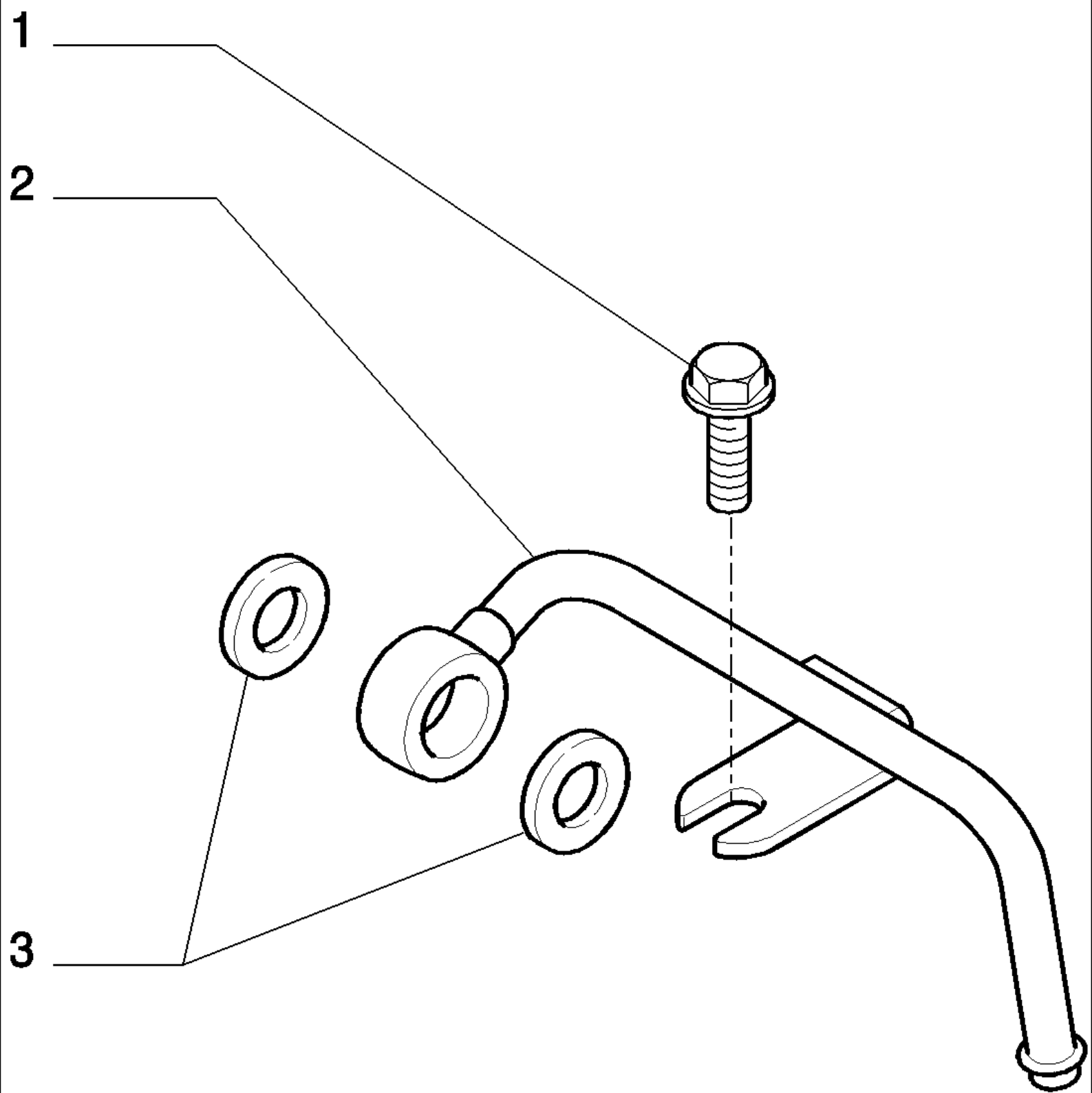
## 0.201(01) FUEL PUMP

Ref	Part Number	Qty	Description
1	76192441	2	SCREW,
2	76191746	1	CONNECTION, SWIVEL, 12X1.5X24
3	76195117	1	GASKET,
4	76193593	1	PUMP, SMALL,
5	76193496	2	GASKET,
6	76192448	1	TUBE, RIGID,



## 0.203(01) PIPING - FUEL

Ref	Part Number	Qty	Description
1	75208949	1	CLAMP,
2	76195158	1	
3	76191666	1	BOLT, BANJO, 14X1.5X26
4	76195156	2	
5	76195157	1	
6	76195155	1	
7	76193496	2	GASKET,
8	76191503	1	SCREW,



1850K CRAWLER DOZER (TIER II) (3/03- )

0.203(02) PIPING - FUEL

Ref	Part Number	Qty	Description
1	75208172	1	SCREW, 6X1.00X12
2	76194696	1	
3	76195156	2	

**BUY NOW**

**Then Instant Download  
the Complete Manual  
Thank you very much!**