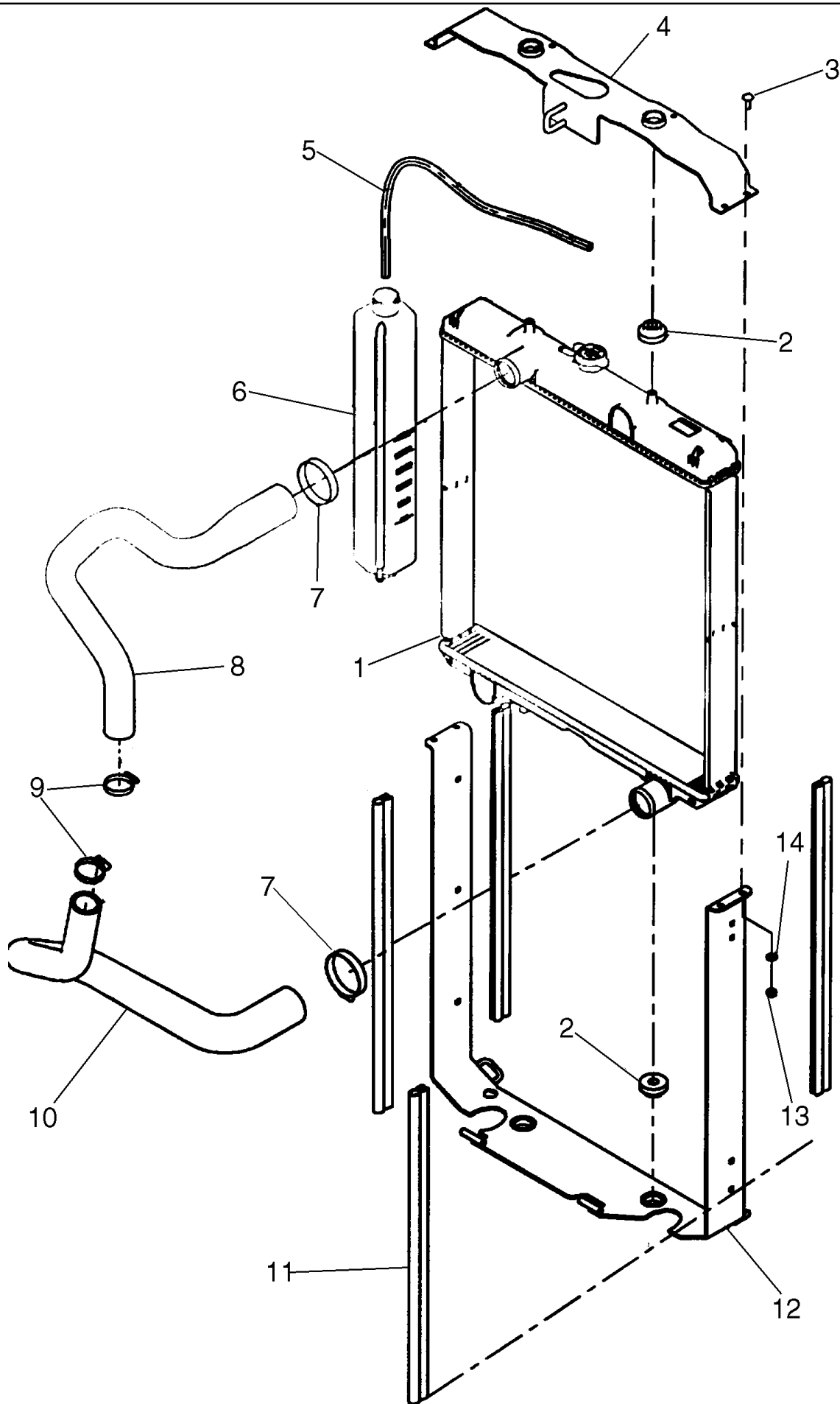




# PARTS CATALOGUE

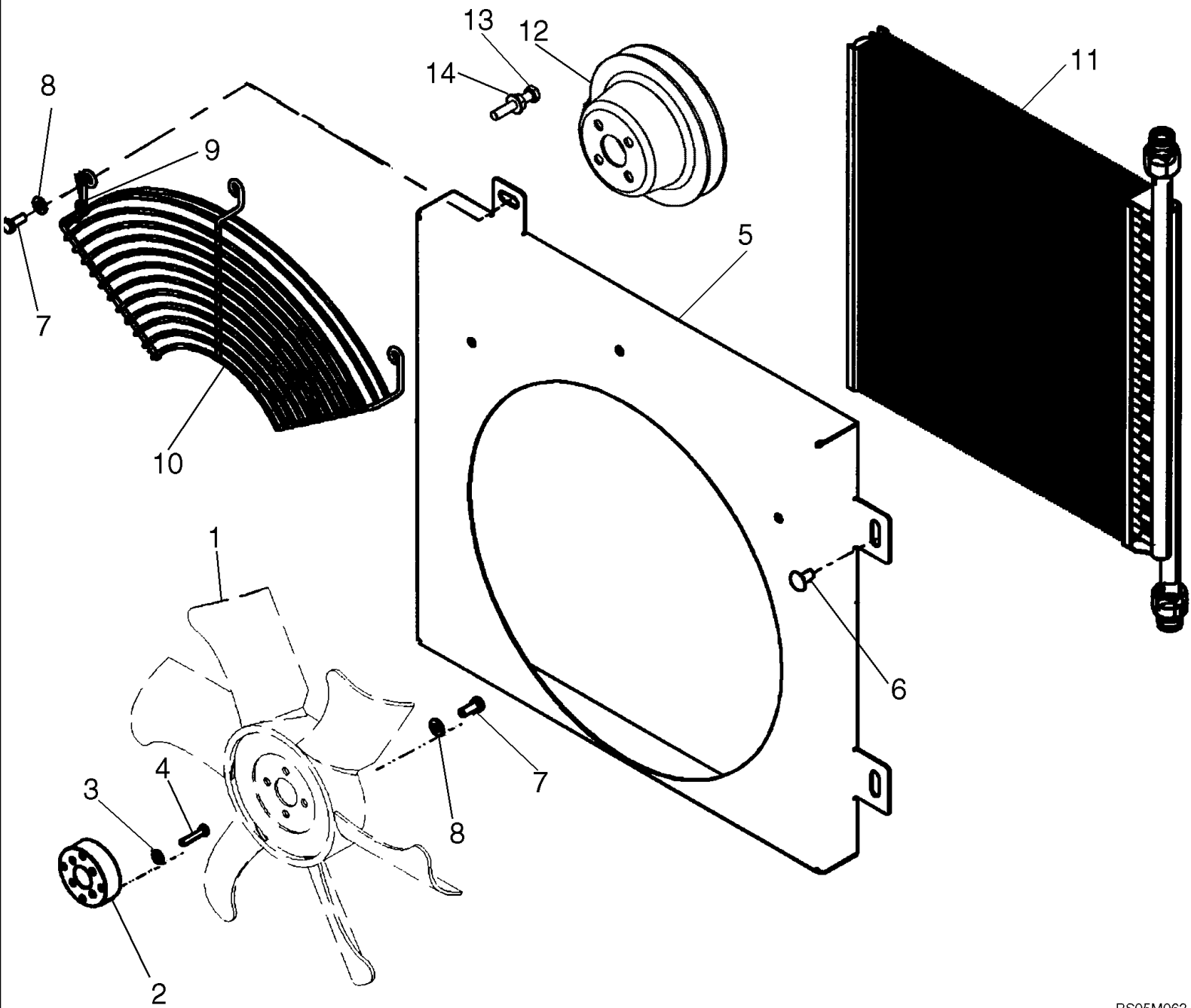
SKID STEER LOADER  
410



## 410 SKID STEER (2/05- )

## 02-01 RADIATOR - COOLANT RECOVERY SYSTEM

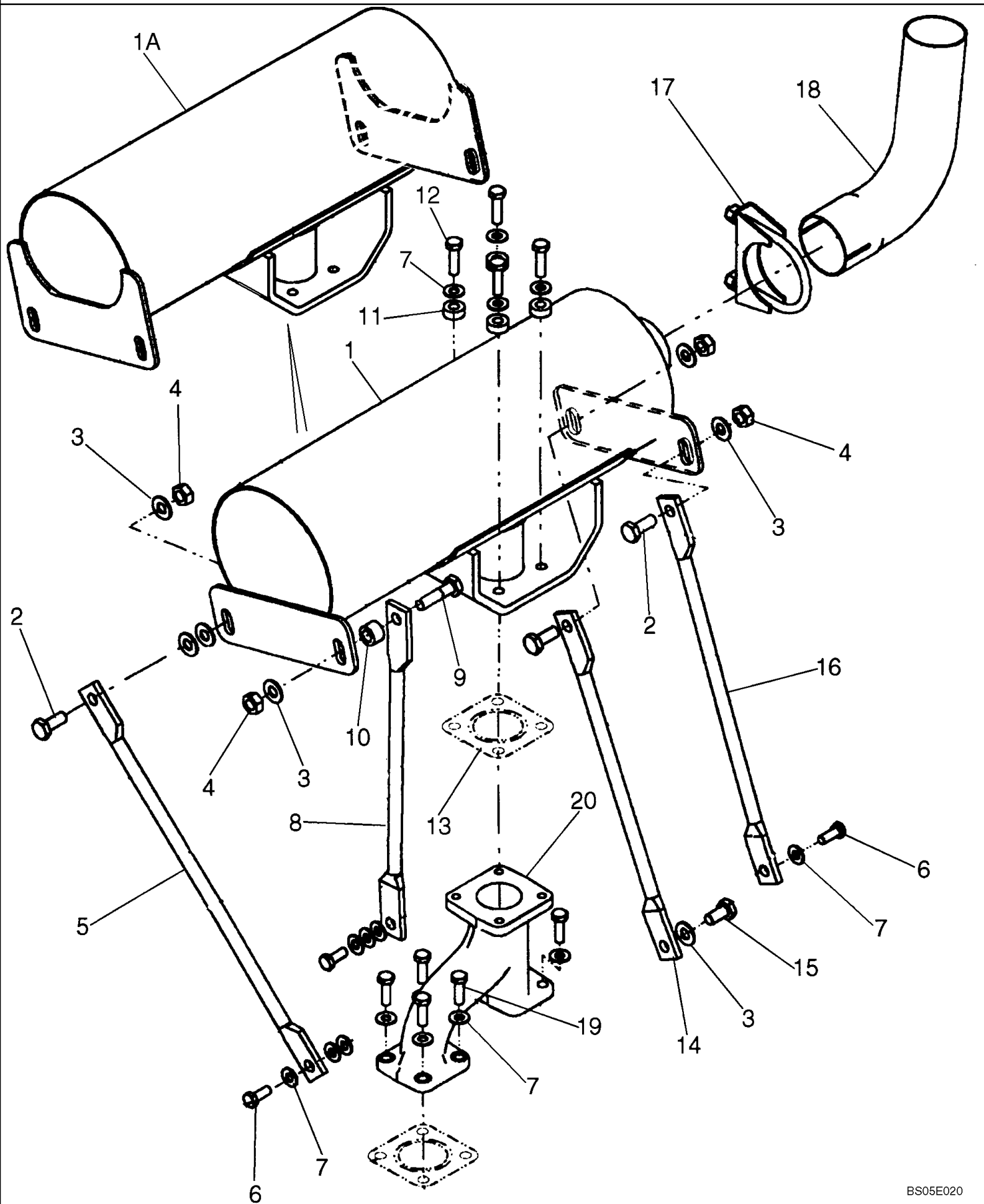
Ref	Part Number	Qty	Description
1	87013856	1	RADIATOR, Incl. 1A, 1B
1A	87032485	1	DRAINCOCK/TAP, SUPPLY, Drain
1B	87032486	1	CAP, RADIATOR,
2	87017045	4	CUSHION,
3	280638	4	BOLT, CARRIAGE, Short NK, 1/4"-20 x 3/4", G5, Full Thd,
4	87459340	1	FRAME, Upper Radiator; Component Parts Not Serviced Separately
5	87047483	1	HOSE, Coolant Recovery
6	87020980	1	RESERVOIR, COOLANT EXPNSN, Incl. Cap 257884A1
	257884A1	1	PLUG,
7	86050202	2	CLAMP, #32, 1.56/2.50 Type F Worm,
8	87047295	1	HOSE, Upper Radiator
9	513309	2	CLAMP, #24, 1.06/2.00 Type F Worm,
10	87047294	1	HOSE, Lower Radiator
11	87033635	4	SEAL,
12	87050449	1	FRAME ASSY, Lower Radiator
12	87393454	1	FRAME, Lower Radiator; Replaces 87050449
13	7770	4	NUT, 1/4"-20, G5,
14	322357	4	WASHER, SPRING, Belleville, M6,



## 410 SKID STEER (2/05- )

## 02-02 FAN MOUNTING

Ref	Part Number	Qty	Description
1	SBA145306740	1	FAN,
2	9860094	1	SPACER, Fan
3	322357	4	WASHER, SPRING, Belleville, M6,
4	80120101	4	SCREW, M6 x 30
5	87052892	1	SHROUD,
6	86508748	4	BOLT, CARRIAGE, Short NK, 3/8"-16 x 3/4", G5, Full Thd,
7	120104	7	SCREW, Hex, M8 x 20, 8.8,
8	322358	7	WASHER, SPRING, Belleville, M8,
9	86624184	3	WASHER, M8 x 16 x 1.6,
10	87018958	1	GUARD, Fan
11	REF	1	INSTRUCTION, See Figure 06-01, Oil Cooler
12	SBA145337030	1	PULLEY, European Models
13	86977789	1	SCREW, Hex, M6 x 35, 8.8, Replaces Existing High Idle Screw And Jam Nut On Injection Pump
14	86511444	1	NUT, M6, Flg Ser,



## 410 SKID STEER (2/05- )

## 02-03 EXHAUST SYSTEM, IF USED (SEE REF 5, 8)

Ref	Part Number	Qty	Description
1	87037372	1	MUFFLER,
1A	87462107	1	MUFFLER, Replaces 87037372
2	43139	3	SCREW, Hex, M10 x 25, 8.8, Full Thd
3	140045	7	WASHER, SPRING, Belleville, M10,
4	825-1410	4	NUT, M10, CI 8,
5	87046586	1	ROD, Muffler Support; 388 mm; Center To Center of Holes; Replaced by 87356847 (452 mm Center To Center of Holes), See Figure 02-03A, Ref 17
6	120104	3	SCREW, Hex, M8 x 20, 8.8,
7	322358	15	WASHER, SPRING, Belleville, M8,
8	87046585	1	ROD, Muffler Support; 322.5 mm; Center To Center of Holes; Replaced by 87356846 (393.3 mm Center To Center of Holes), See Figure 02-03A, Ref 16
9	120068	1	SCREW, Hex, M10 x 40, 8.8, Full Thd,
10	87042897	1	SPACER,
11	86633393	4	SPACER,
12	614-8030	4	BOLT, Hex, M8 x 30, 8.8,
13	REF	1	INSTRUCTION, Gasket, Muffler, Supplied With Engine
14	87046588	1	ROD, Muffler Support
15	43138	1	SCREW, Hex, M10 x 20, 8.8, Full Thd,
16	87046587	1	ROD, Muffler Support
17	A13240	1	CLAMP, 1-5/16 Radius
17	87461995	1	CLAMP, 34 mm Radius; Replaces A13240
18	87045237	1	TUBE, Exhaust
19	43127	6	BOLT, Hex, M8 x 25, 8.8,
20	86614557	1	MANIFOLD, Exhaust

**BUY NOW**

**Then Instant Download  
the Complete Manual  
Thank you very much!**