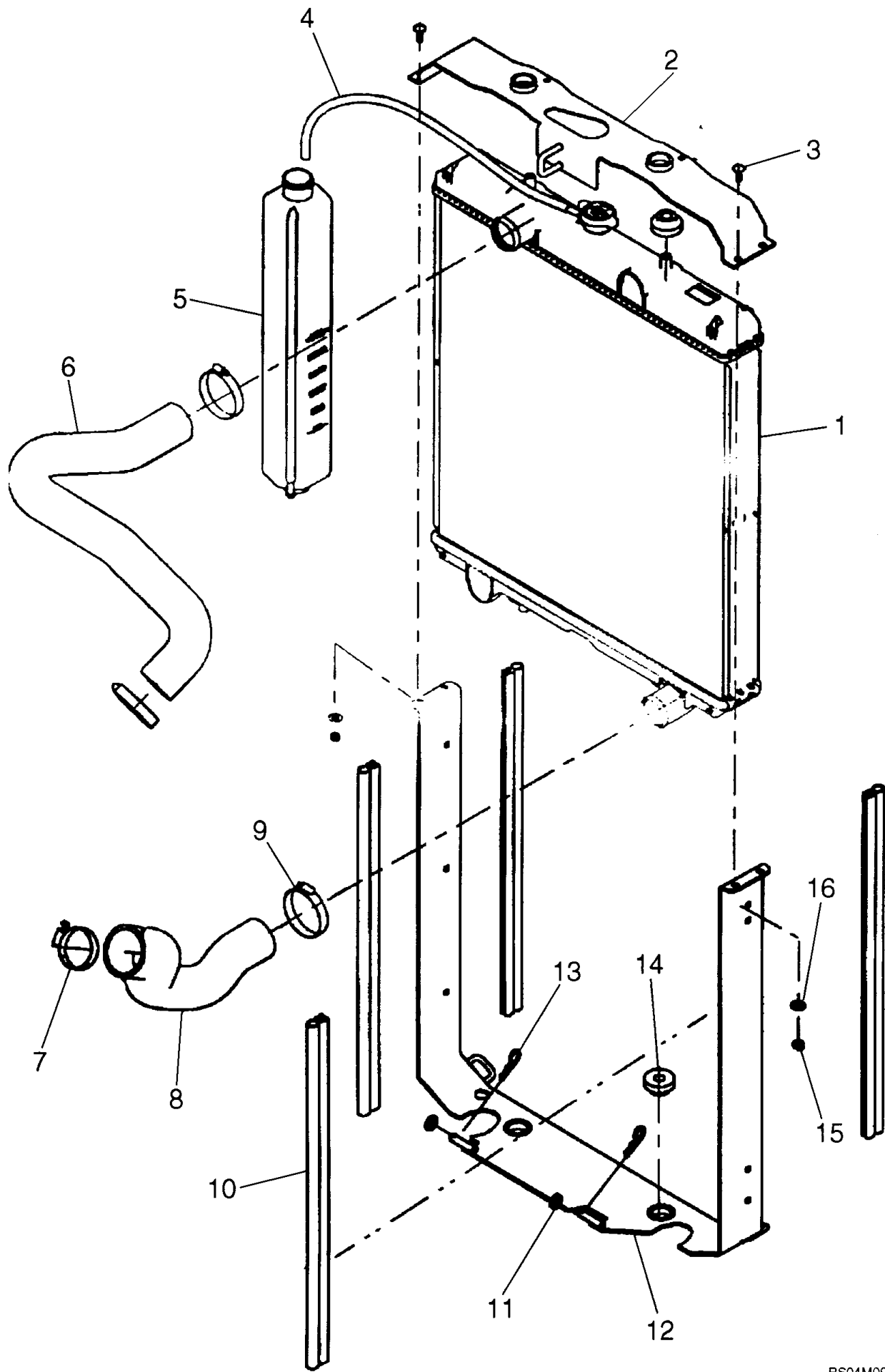




# PARTS CATALOGUE

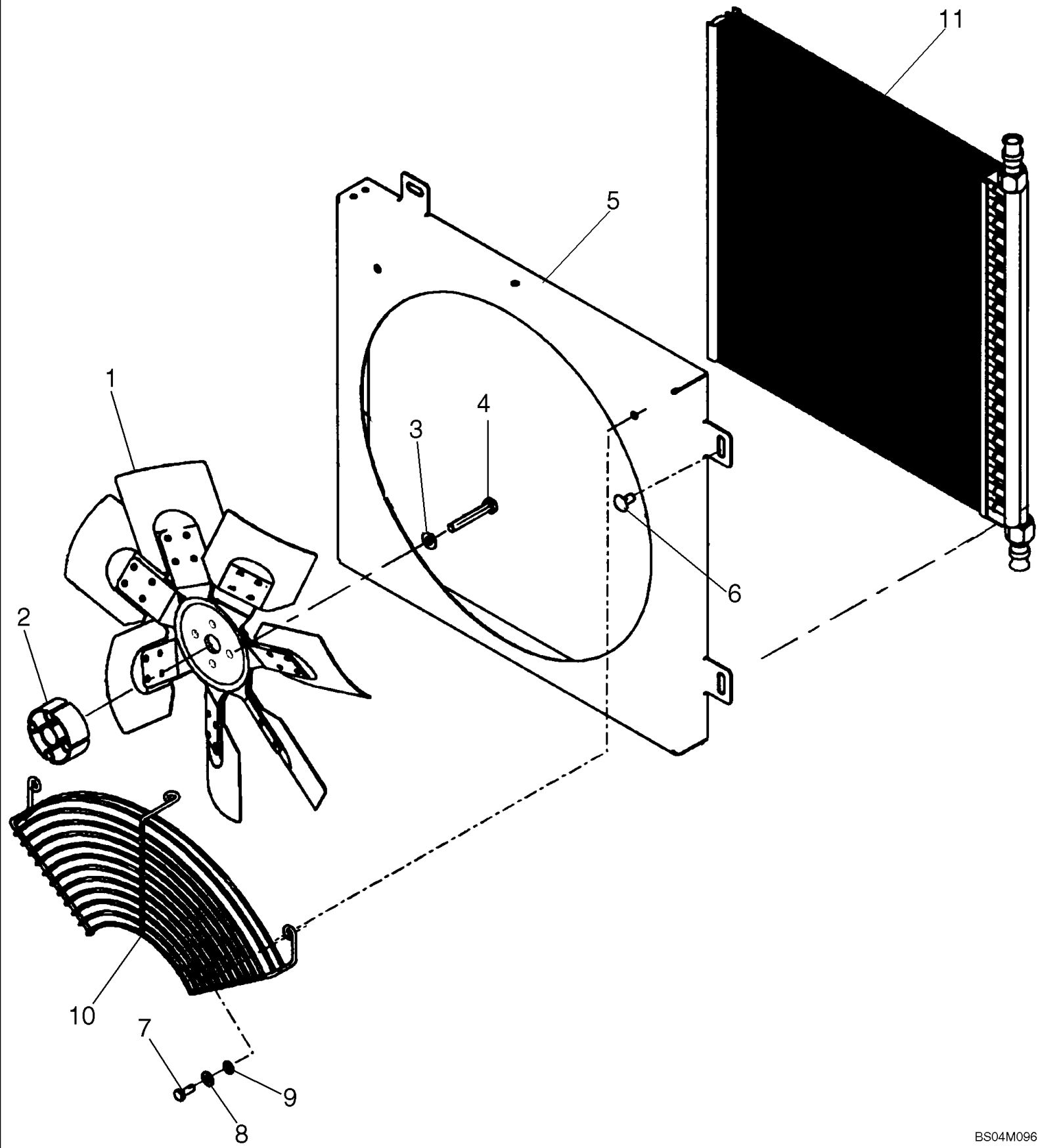
430  
CASE SKID STEER LOADER

02-01 RADIATOR - COOLANT RECOVERY SYSTEM



## 02-01 RADIATOR - COOLANT RECOVERY SYSTEM

Ref	Part Number	Qty	Description
1	87013856	1	RADIATOR, Incl. 1A, 1B
1A	87032485	1	FITTING, Drain
1B	87032486	1	CAP, RADIATOR,
2	87459340	1	FRAME, Upper Radiator; Component Parts Not Serviced Separately
3	280638	4	BOLT, CARRIAGE, Short NK, 1/4"-20 x 3/4", G5, Full Thd,
4	87023365	1	HOSE, Coolant Recovery
5	87020980	1	RESERVOIR, COOLANT EXPNSN, Incl. Cap 257884A1
	257884A1	1	PLUG,
6	87040170	1	HOSE ASSY., Upper Radiator
7	45014	1	CLAMP, #40, 2.06/3.00 Type F Worm, Type F #40
8	87040171	1	HOSE, Lower Radiator
9	86050202	3	CLAMP, #32, 1.56/2.50 Type F Worm,
10	87033635	4	SEAL,
11	86624176	2	WASHER, M10 x 20 x 2, M10 x 20 x 2
12	87050449	1	FRAME ASSY, Lower Radiator
13	216698	2	PIN, SPLIT (COTTER),
14	87017045	4	CUSHION,
15	7770	4	NUT, 1/4"-20, G5,
15	322358	4	WASHER, SPRING, Belleville, M8,



## 02-02 FAN MOUNTING

Ref	Part Number	Qty	Description
1	87025470	1	FAN, 480 mm
2	A189252	1	SPACER, Fan
3	140045	4	WASHER, SPRING, Belleville, M10,
4	120071	4	SCREW, Hex, M10 x 65, 8.8,
5	87046889	1	SHROUD ASSY.,
6	86508748	4	BOLT, CARRIAGE, Short NK, 3/8"-16 x 3/4", G5, Full Thd, If Used
6	80280503	4	BOLT, CARRIAGE, Short NK, 3/8"-16 x 1", G5, Full Thd, Short NK, 3/8"-16 x 1", G5, Full Thd; If Used
7	120104	3	SCREW, Hex, M8 x 20, 8.8,
8	322358	3	WASHER, SPRING, Belleville, M8,
9	86624184	3	WASHER, M8 x 16 x 1.6, M8 x 16 x 1.6
10	87046887	1	GUARD, Fan
11	REF	1	INSTRUCTION, See Figure 06-01, Oil Cooler

**BUY NOW**

**Then Instant Download  
the Complete Manual  
Thank you very much!**