



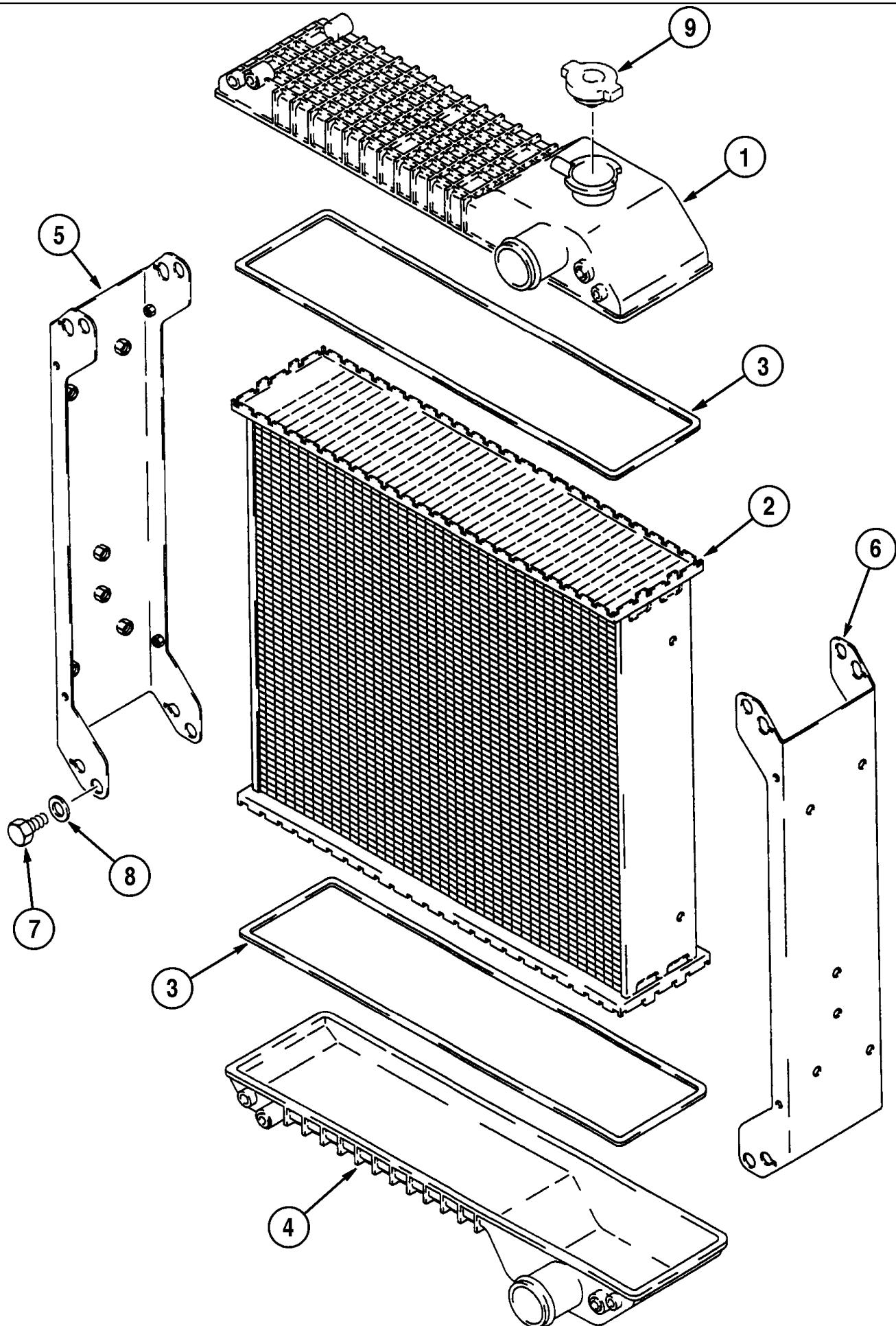
PARTS CATALOGUE

BACKHOE LOADER
580SM

580SM CASE BACKHOE LOADER (EUROPE) (2/02-)

02-001/2B-00(01) COOLING SYSTEM

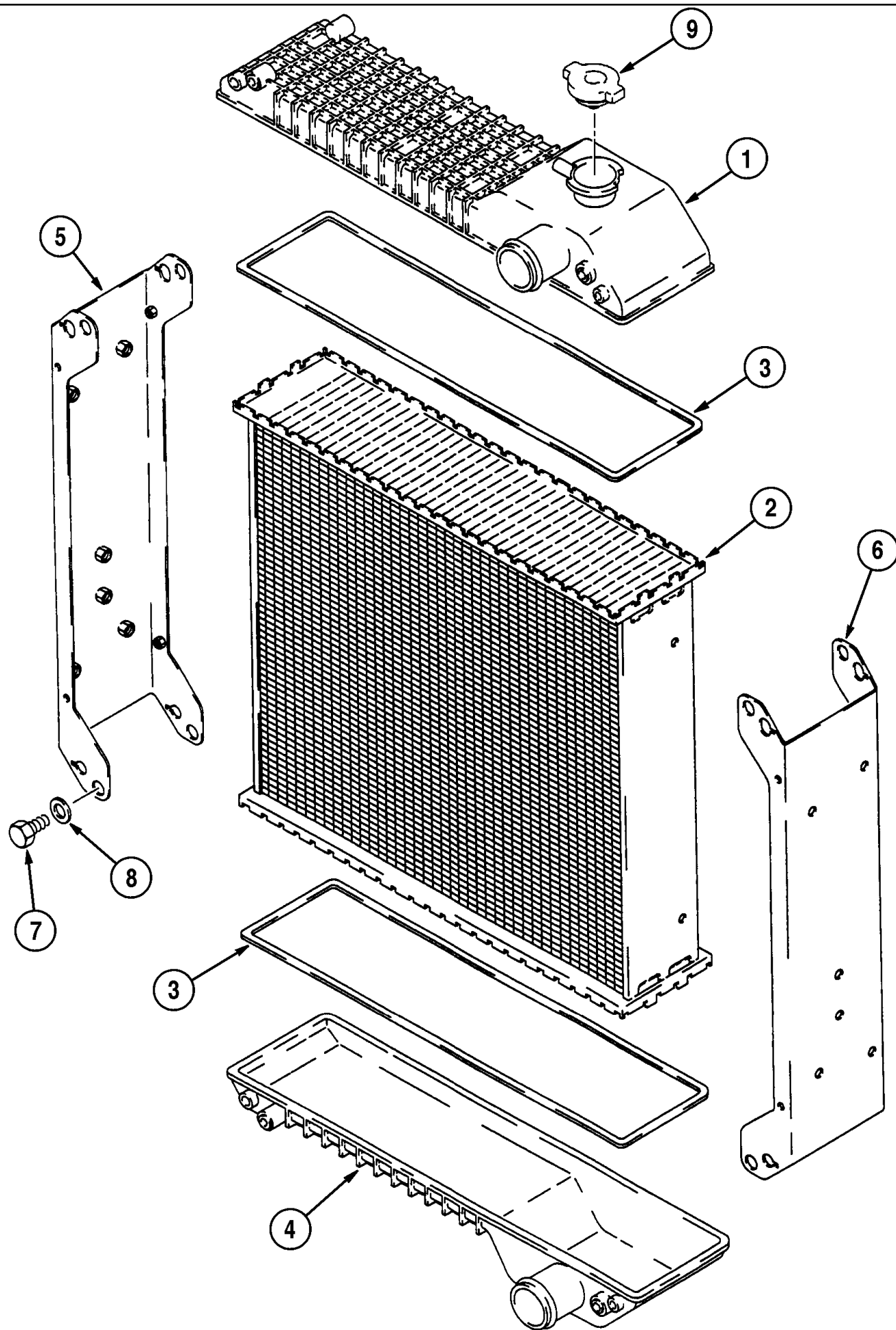
Ref	Part Number	Qty	Description
1	239739A2	1	RADIATOR, , See Page(s) 02-002B-00-01, Heavy Duty
1	234876A1	1	RADIATOR, , Order 234876A2, See Page(s) 02-002/2C-00-01
2	235038A2	1	SEAL,
3	235040A2	2	SEAL,
4	233272A1	2	SEAL,
5	186433A1	1	SHROUD,
6	806-8016	4	BOLT, Hex, Lock, M8 x 16, Cl 10.9, M8 x 16; 10.9
8	131084A2	1	RESERVOIR, , Consists Of Ref. Number 9
9	1547924C1	1	CAP,
10	806-8050	2	BOLT, Hex, Lock, M8 x 50, Cl 10.9, M8 x 50
11	895-11008	4	WASHER, M8 x 16 x 1.6, 9 x 17 x 1,6 mm
12	132215A1	2	SPACER,
13	366588A1	1	HOSE,
14	366591A1	1	HOSE,
15	A171099	3	CLAMP, HOSE,
16	232366A1	1	HOSE, LARGE,
17	214-1432	2	CLAMP, HOSE, #32, 1.56/2.50 Type F Worm,
18	141513A1	1	HOSE, LARGE,
19	214-1440	2	CLAMP, HOSE, #40, 2.06/3.00 Type F Worm, 2-1/16 - 3
20	217-92	1	COCK, DRAIN, 1/4
21	121501A2	2	SUPPORT,
22	614-8016	4	BOLT, Hex, M8 x 16, 8.8,
23	814-10050	2	BOLT, Hex, M10 x 50, 8.8,
24	K691987	4	WASHER,
25	D52276	2	ISOLATOR,
26	832-10410	2	NUT, LOCK, M10 x 1.5, Cl 8,
27	221854A1	1	FAN,
28	892-11008	4	WASHER, LOCK, M8, M8
29	896-11010	4	WASHER, M10 x 21.5 x 2.5, HT, 11 x 21 x 2,5 mm
30	614-10030	4	BOLT, Hex, M10 x 30, 8.8,
31	86982450	1	V-BELT,
32	303192A1	1	ADAPTER,
33	614-8016	4	BOLT, Hex, M8 x 16, 8.8,
34	303195A1	1	ASSEMBLY,
7	895-15008	4	WASHER, M8 x 20 x 1.6, 9 x 20 x 1,6 mm



580SM CASE BACKHOE LOADER (EUROPE) (2/02-)

02-002/2C-00(01) RADIATOR

Ref	Part Number	Qty	Description
	234876A2	1	RADIATOR, , Consists Of Ref. Numbers 1-9
1	175161A1	1	RESERVOIR,
2	181148A1	1	ASSEMBLY,
3	226586A1	2	PACKAGE,SERVICE,
4	175162A1	1	RESERVOIR,
5	175164A1	1	SUPPORT,
6	175165A2	1	SUPPORT,
7	614-8012	8	BOLT, Hex, M8 x 12, 8.8, Full Thd, M8 x 12; 8,8
8	895-11008	8	WASHER, M8 x 16 x 1.6, 9 x 17 x 1,6 mm
9	A170241	1	CAP, RADIATOR, CAP, FILLER, 15 psi

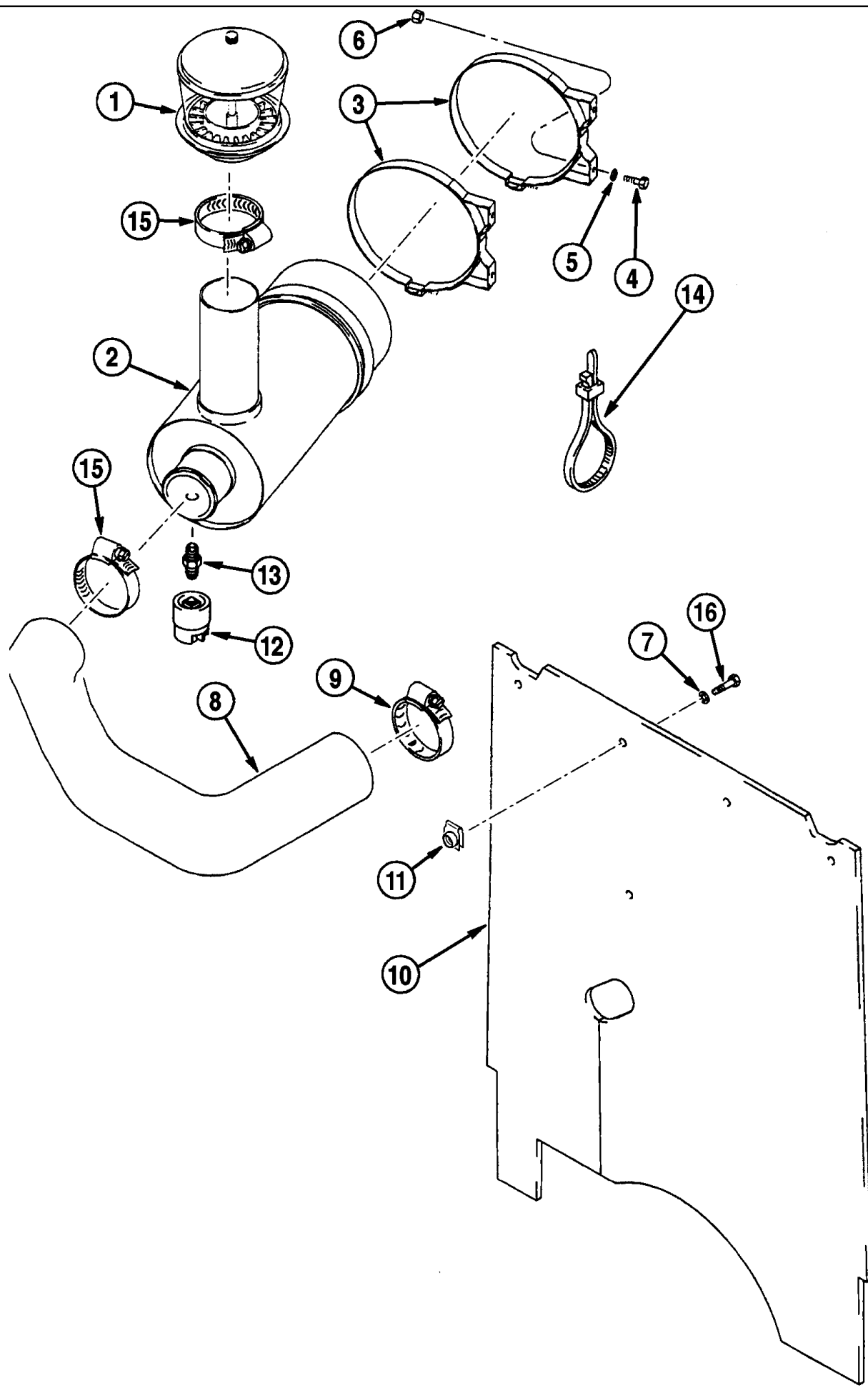


580SM CASE BACKHOE LOADER (EUROPE) (2/02-)

02-002B-00(01) RADIATOR

Ref	Part Number	Qty	Description
	239739A2	1	RADIATOR, , Consists Of Ref. Numbers 1-9
1	175161A1	1	RESERVOIR,
2	257434A1	1	ASSEMBLY,
3	226586A1	2	PACKAGE,SERVICE,
4	175162A1	1	RESERVOIR,
5	175164A1	1	SUPPORT,
6	175165A2	1	SUPPORT,
7	614-8012	8	BOLT, Hex, M8 x 12, 8.8, Full Thd, M8 x 12; 8,8
8	895-11008	8	WASHER, M8 x 16 x 1.6, 9 x 17 x 1,6 mm
9	A170241	1	CAP, RADIATOR, CAP, FILLER, 15 psi

Heavy Duty



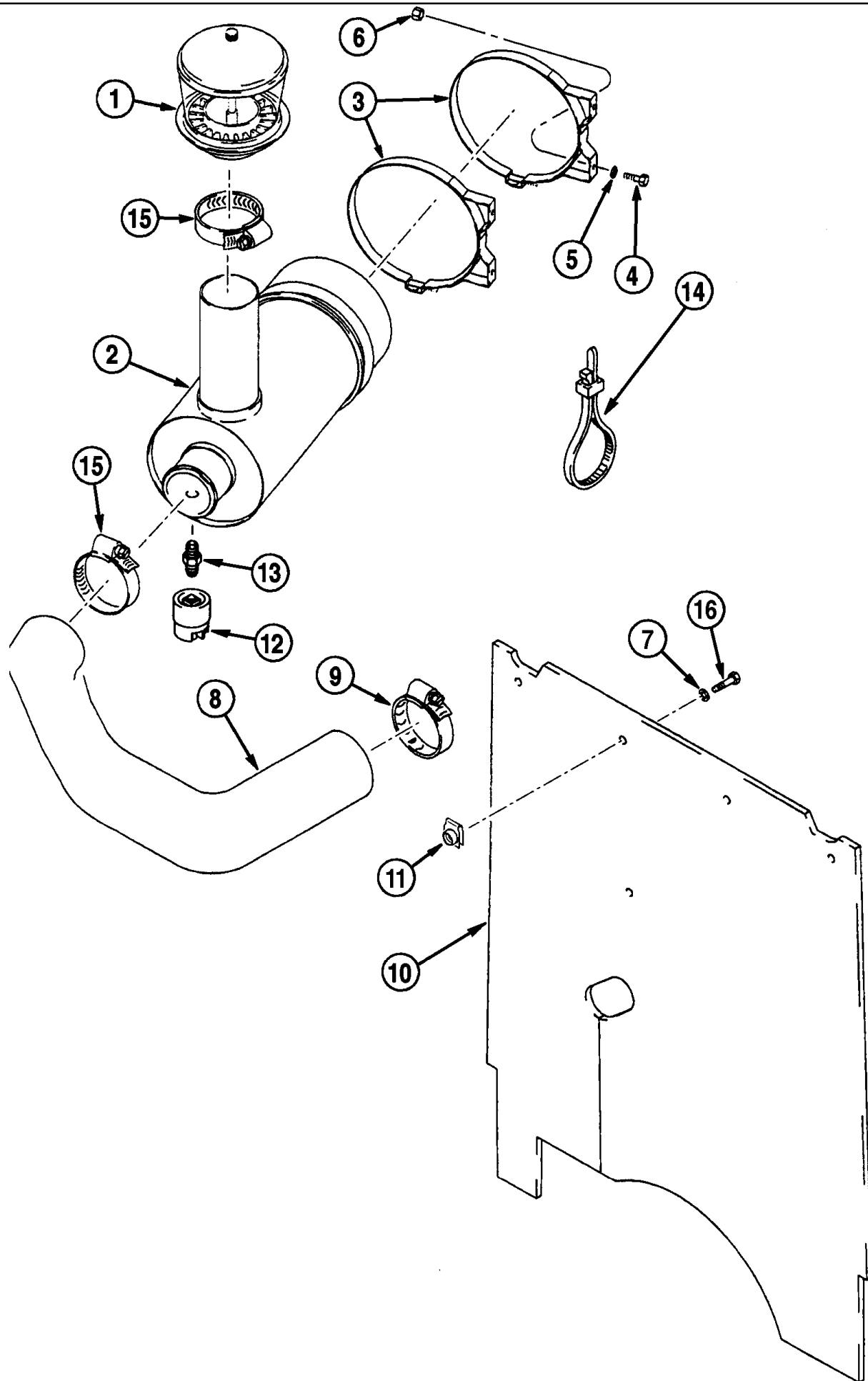
580SM CASE BACKHOE LOADER (EUROPE) (2/02-)

02-003/2-00(01) AIR FILTRATION

Ref	Part Number	Qty	Description
1	193867A1	1	PRE-CLEANER ASSY, AIR, , See Page(s) 02-004/2A-00-01
2	293568A1	1	AIR CLEANER, , See Page(s) 02-004/2A-00-01
3	L113910	2	CLAMP,
4	614-10020	4	BOLT, Hex, M10 x 20, 8.8, Full Thd,
6	829-1410	4	NUT, M10, CI 10,
8	223944A1	1	HOSE, LARGE,
9	214-1456	1	CLAMP, HOSE, #56, 3.06/4.00 Type F Worm, 3-1/16 - 4 in dia
10	275464A1	1	CURTAIN,
11	833-40408	4	NUT, M8, U, M8
12	292740A1	1	SWITCH, , See Page(s) 02-004/2A-00-01
13	D36264	1	FITTING, , See Page(s) 02-004/2A-00-01
14	L11541	2	STRAP,
15	214-1464	2	CLAMP, HOSE, #64, 3.56/4.50 Type F Worm,
16	806-8025	4	BOLT, Hex, Lock, M8 x 25, CI 10.9, M8 x 25
7	895-15008	4	WASHER, M8 x 20 x 1.6, 9 x 20 x 1,6 mm
5	895-11010	4	WASHER, M10 x 20 x 2, M10

Powershift No Emission Engine / Power Shuttle No Emission Engine

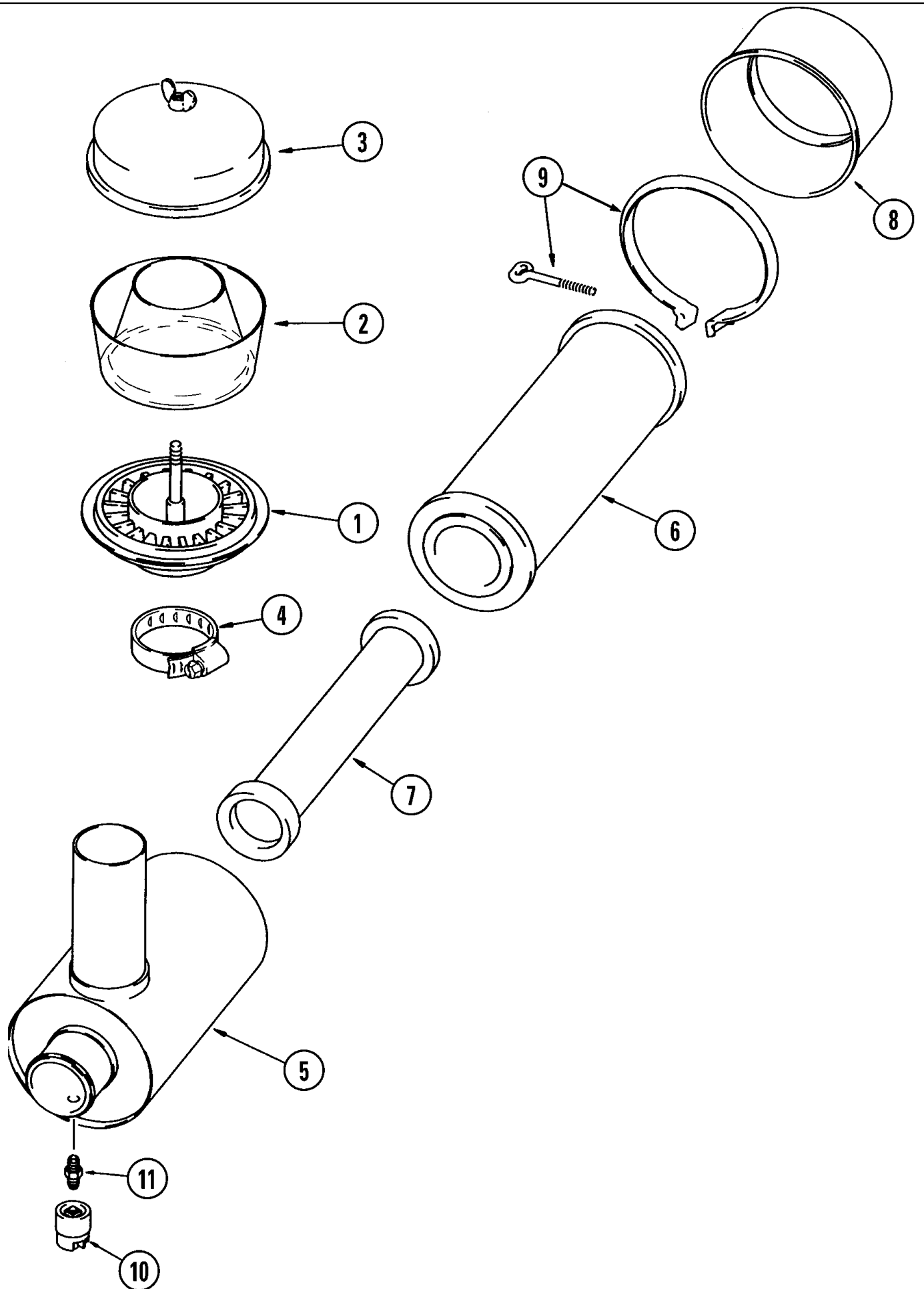
02-003B-00(01) AIR FILTRATION



580SM CASE BACKHOE LOADER (EUROPE) (2/02-)

02-003B-00(01) AIR FILTRATION

Ref	Part Number	Qty	Description
1	228120A1	1	PRECLEANER, , See Page(s) 02-004B-00-01
2	293571A1	1	AIR CLEANER, , See Page(s) 02-004B-00-01
3	70973	2	BRACKET,
4	614-8020	4	BOLT, Hex, M8 x 20, 8.8,
5	895-11008	4	WASHER, M8 x 16 x 1.6, 9 x 17 x 1,6 mm
6	829-1408	4	NUT, M8, CI 10, M8; 10
8	223944A1	1	HOSE, LARGE,
9	214-1456	1	CLAMP, HOSE, #56, 3.06/4.00 Type F Worm, 3-1/16 - 4 in dia
10	275464A1	1	CURTAIN,
11	833-40408	4	NUT, M8, U, M8
12	292740A1	1	SWITCH, , See Page(s) 02-004B-00-01
13	D36264	1	FITTING, , See Page(s) 02-004B-00-01
14	L11541	2	STRAP,
15	214-1464	2	CLAMP, HOSE, #64, 3.56/4.50 Type F Worm,
16	806-8025	4	BOLT, Hex, Lock, M8 x 25, CI 10.9, M8 x 25
7	895-15008	4	WASHER, M8 x 20 x 1.6, 9 x 20 x 1,6 mm

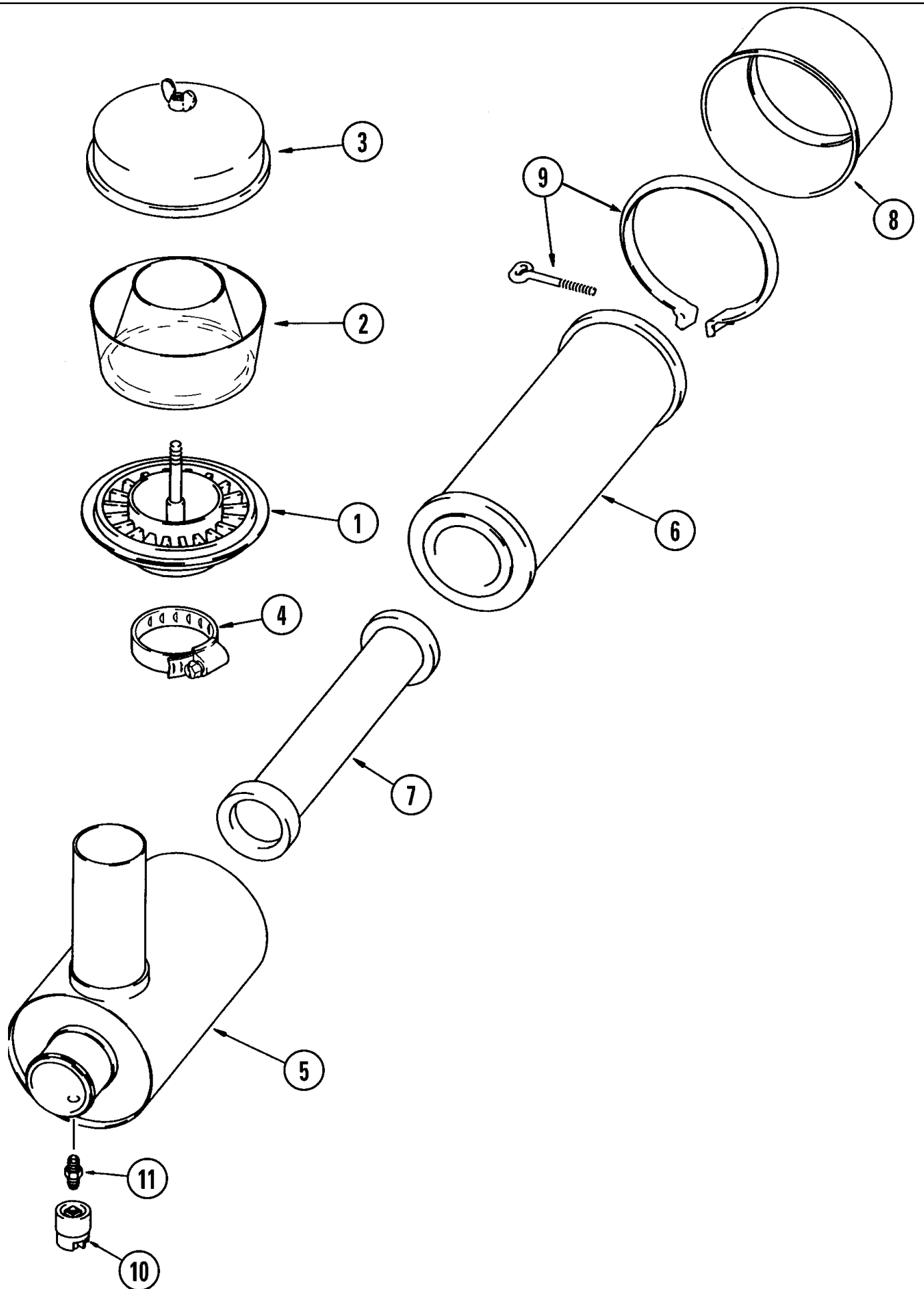


580SM CASE BACKHOE LOADER (EUROPE) (2/02-)

02-004/2A-00(01) AIR FILTER

Ref	Part Number	Qty	Description
	193867A1	1	PRE-CLEANER ASSY, AIR, , Consists Of Ref. Numbers 1-4
1	NSS	1	NOT SERVICED SEPARATELY, Body
2	365413R1	1	BOWL,
3	365412R91	1	COVER,
4	214-1448	1	CLAMP, HOSE, #48, 2.56/3.50 Type F Worm,
	293568A1	1	AIR CLEANER, , Consists Of Ref. Numbers 4-9
5	NSS	1	NOT SERVICED SEPARATELY, Housing
6	128781A1	1	FILTER, ELEMENT, , Primary
7	128782A1	1	FILTER, ELEMENT, , Secondary
8	142540A1	1	COVER, FILTER,
9	142539A1	1	CLAMP,
10	292740A1	1	SWITCH,
11	D36264	1	FITTING,

Powershift No Emission Engine / Power Shuttle No Emission Engine

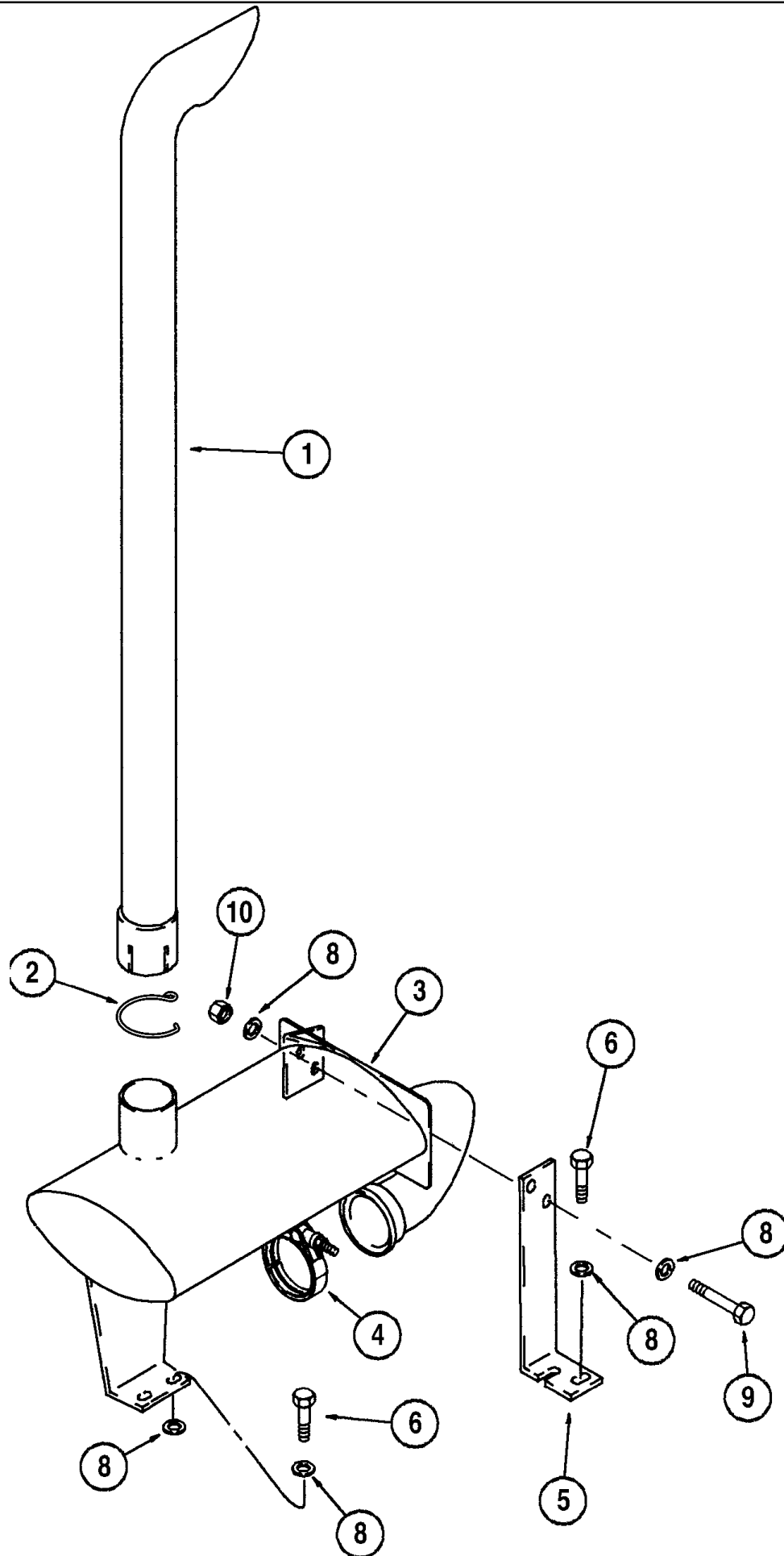


580SM CASE BACKHOE LOADER (EUROPE) (2/02-)

02-004B-00(01) AIR FILTER

Ref	Part Number	Qty	Description
	228120A1	1	PRECLEANER, , Consists Of Ref. Numbers 1-4
1	NSS	1	NOT SERVICED SEPARATELY, Body
2	277377R1	1	HOUSING,
3	A42281	1	COVER,
4	214-1464	1	CLAMP, HOSE, #64, 3.56/4.50 Type F Worm,
	293571A1	1	AIR CLEANER, , Consists Of Ref. Numbers 4-9
5	NSS	1	NOT SERVICED SEPARATELY, Housing
6	222421A1	1	FILTER, AIR, , Primary
7	222422A1	1	FILTER, ELEMENT, , Secondary
8	247743A1	1	COVER, FILTER,
9	R21391	1	CLAMP,
10	292740A1	1	SWITCH,
11	D36264	1	FITTING,

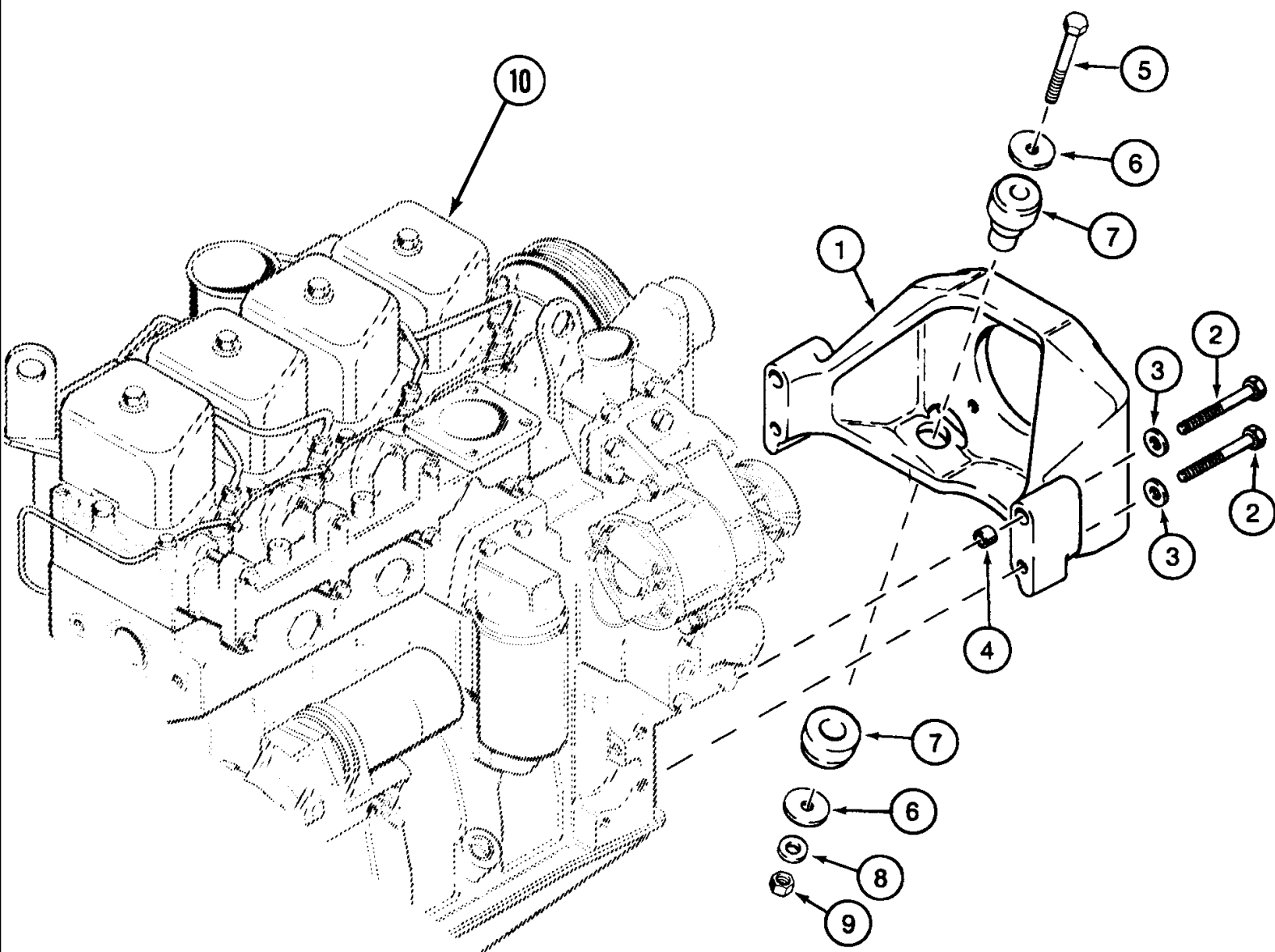
Emission Engine



580SM CASE BACKHOE LOADER (EUROPE) (2/02-)

02-005B-00(01) EXHAUST

Ref	Part Number	Qty	Description
1	275967A2	1	PIPE, EXHAUST SYSTEM, , For 580SM, Serial Number : Until HJE546942
1	392301A1	1	PIPE, EXHAUST SYSTEM, , For 580SM, Serial Number : HJE546943 And After
2	360663A1	1	CLAMP, , Serial Number : Until HJE546942
2	401541A1	1	CLIP, , For 580SM, Serial Number : HJE546943 And After
3	192483A1	1	MUFFLER, , For 580SM, No Emission Certified Engine, Serial Number : Until HJE546942
3	434022A1	1	MUFFLER, , For 580SM, No Emission Certified Engine, Serial Number : HJE546943 And After
3	392295A1	1	MUFFLER, , For 580SM, Emission Certified Engine
4	A170467	1	CLAMP,
5	225033A2	1	BRACKET,
6	627-10030	4	BOLT, Hex, M10 x 30, 10.9, Full Thd,
8	896-11010	10	WASHER, M10 x 21.5 x 2.5, HT, 11 x 21 x 2,5 mm
9	627-10030	2	BOLT, Hex, M10 x 30, 10.9, Full Thd,
10	829-1410	2	NUT, M10, CI 10,



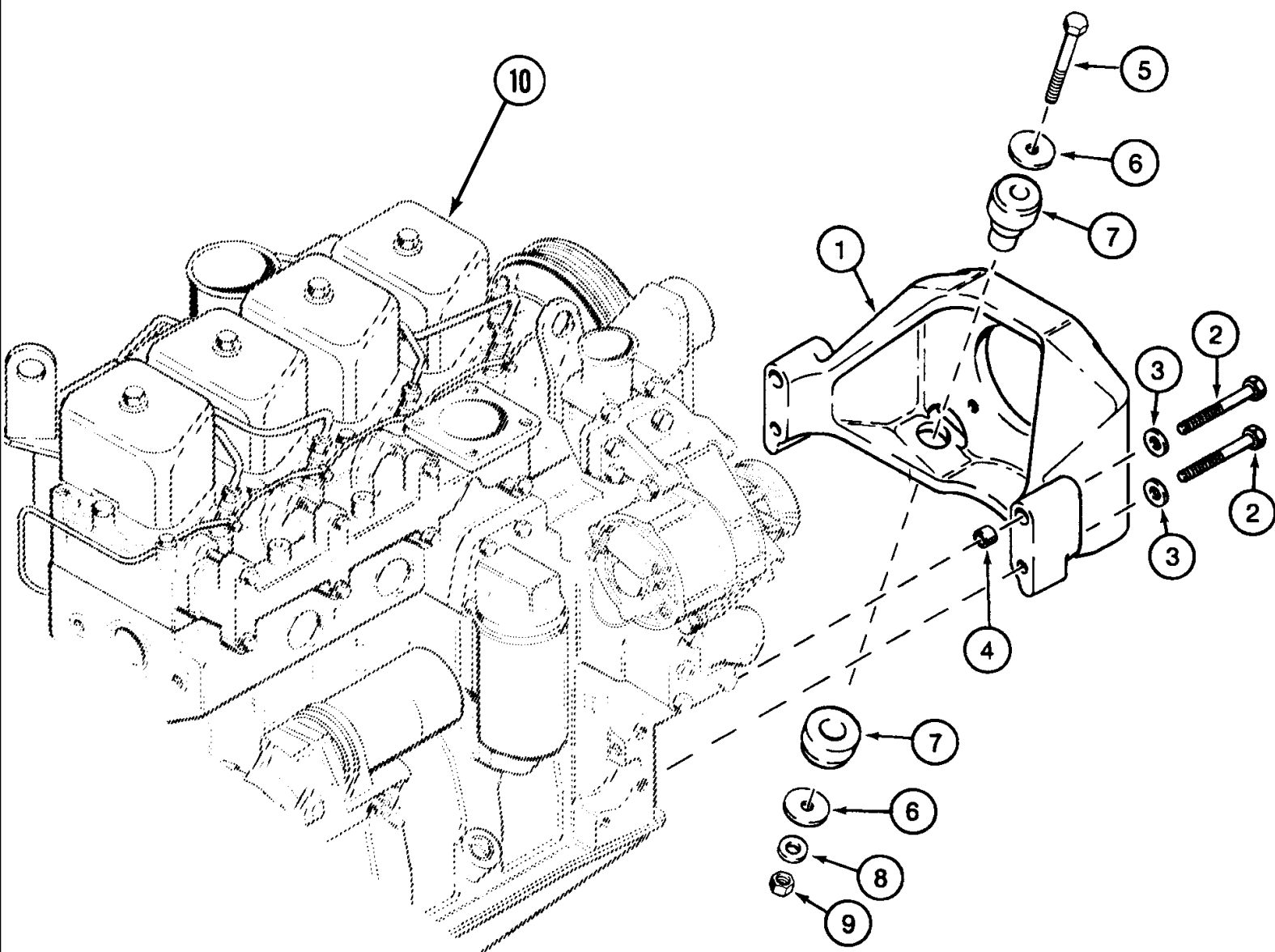
No Emission Certified Engine. Note: Basic engines and reman engines are generic engines. The engines are complete internally; however, externally all parts are not supplied with the engines. Check the configuration of the engine being removed, with the configuration of the engine being installed. For any external components not supplied with the engine being installed, reuse those parts from the engine that has just been removed. Do not return the old engine, until the unit is reassembled.

580SM CASE BACKHOE LOADER (EUROPE) (2/02-)

02-006/2B-00(01) ENGINE MOUNTING

Ref	Part Number	Qty	Description
1	175637A1	1	SUPPORT,
2	814-12110	4	BOLT, Hex, M12 x 110, 8.8, M12 x 110
3	896-15012	4	WASHER, M12 x 28.5 x 4, HT, 13,5 x 28 x 4 mm
4	A170309	2	BUSHING,
5	814-12085	2	BOLT, Hex, M12 x 85, 8.8, M12 x 85
6	496-81018	4	WASHER, 33/64 x 2 x 1/8
7	117844A1	2	MOUNTING PARTS,
8	896-15012	2	WASHER, M12 x 28.5 x 4, HT, 13,5 x 28 x 4 mm
9	832-10412	2	NUT, LOCK, M12 x 1.75, Cl 8, M12; 8
10	87412115	1	ENGINE ASSY, , Powershift , See Page(s) 02-007/1-00-01, 02-007/2B-01-01, 02-007/2C-02-01, 02-008/2A-00-01, 02-008/2C-01-01, 02-009/2-01-01, 02-009/2B-02-01, 02-010/2-00-01, 02-10/2B-03-01, 02-011/2-01-01, 02-011/2B-02-01, 02-013/2B-00-01, 02-013/2B-01-01, 02-014-00-01, 02-014/2-00-01, 02-014/2B-02-01, 02-015/2-00-01, 02-015/2C-02-01, 02-016/2A-00-01, 02-016/2C-01-01, 02-017/2C-00-01, 02-018/2-01-01, 02-018/2-03-01, 02-018/2-04-01, 02-019/2-00-01, 02-019/2C-02-01, 02-020/2-01-01, 02-020/2C-03-01, 02-021/2-01-01, 02-021/2B-02-01, 02-022/2A-02-01, 02-022/2C-03-01, 02-023/2C-03-01, 02-023/2-00-01, 02-023/2C-01-01, 02-023/2C-02-01, 03-004/3-00-01, 03-006/2-01-01, 03-006/2C-03-01, 03-008/2-00-01, 03-008/2B-02-01, 03-009C-00-01, Less : Starter, Alternator, Fan, Fan Belt, Air Cleaner, Muffler, Exhaust Pipe
10	87412116	1	ENGINE ASSY, , Less : Starter, Alternator, Fan, Fan Belt, Air Cleaner, Muffler, Exhaust Pipe, Power Shuttle, See Page(s) 02-007/1-00-01, 02-007/2B-01-01, 02-007/2C-02-01, 02-008/2A-00-01, 02-008/2C-01-01, 02-009/2-01-01, 02-009/2B-02-01, 02-010/2-00-01, 02-10/2B-03-01, 02-011/2-01-01, 02-011/2B-02-01, 02-013/2B-00-01, 02-013/2B-01-01, 02-014-00-01, 02-014/2-00-01, 02-014/2B-02-01, 02-015/2-00-01, 02-015/2C-02-01, 02-016/2A-00-01, 02-016/2C-01-01, 02-017/2C-00-01, 02-018/2-01-01, 02-018/2-03-01, 02-018/2-04-01, 02-019/2-00-01, 02-019/2C-02-01, 02-020/2-01-01, 02-020/2C-03-01, 02-021/2-01-01, 02-021/2B-02-01, 02-022/2A-02-01, 02-022/2C-03-01, 02-023/2C-03-01, 02-023/2-00-01, 02-023/2C-01-01, 02-023/2C-02-01, 03-004/3-00-01, 03-006/2-01-01, 03-006/2C-03-01, 03-008/2-00-01, 03-008/2B-02-01, 03-009C-00-01
10	1989092C3	1	ENGINE, BASIC, Less : Starter, Alternator, Fan, Fan Belt, Air Cleaner, Muffler, Exhaust Manifold, Flywheel and Housing, Oil Fill and Dipstick, Fuel Injection Pump, Injectors and Lines, Front Pulley, Belt Tensioner, Turbocharger and Aftercooler; See Note, See Page(s) 02-007/1-00-01, 02-007/2B-01-01, 02-007/2C-02-01, 02-008/2A-00-01, 02-008/2C-01-01, 02-009/2-01-01, 02-009/2B-02-01, 02-010/2-00-01, 02-10/2B-03-01, 02-011/2-01-01, 02-011/2B-02-01, 02-013/2B-00-01, 02-013/2B-01-01, 02-014-00-01, 02-014/2-00-01, 02-014/2B-02-01, 02-015/2-00-01, 02-015/2C-02-01, 02-016/2A-00-01, 02-016/2C-01-01, 02-017/2C-00-01, 02-018/2-01-01, 02-018/2-03-01, 02-018/2-04-01, 02-019/2-00-01, 02-019/2C-02-01, 02-020/2-01-01, 02-020/2C-03-01, 02-021/2-01-01, 02-021/2B-02-01, 02-022/2A-02-01, 02-022/2C-03-01, 02-023/2C-03-01, 02-023/2-00-01, 02-023/2C-01-01, 02-023/2C-02-01, 03-004/3-00-01, 03-006/2-01-01, 03-006/2C-03-01, 03-008/2-00-01, 03-008/2B-02-01, 03-009C-00-01

No Emission Certified Engine. Note: Basic engines and reman engines are generic engines. The engines are complete internally; however, externally all parts are not supplied with the engines. Check the configuration of the engine being removed, with the configuration of the engine being installed. For any external components not supplied with the engine being installed, reuse those parts from the engine that has just been removed. Do not return the old engine, until the unit is reassembled.



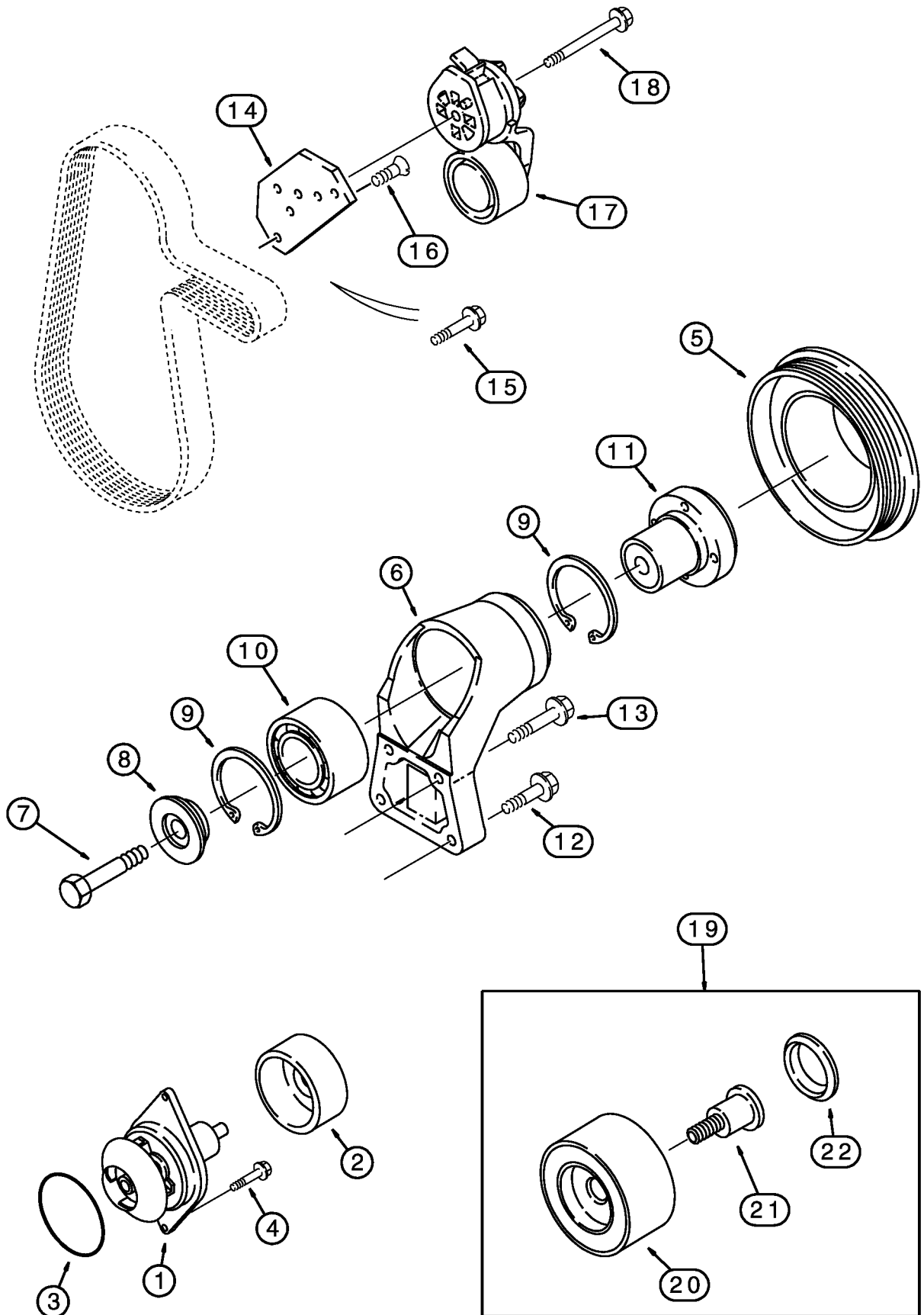
Emission Certified Engine Note: Basic engines and reman engines are generic engines. The engines are complete internally; however, externally all parts are not supplied with the engines. Check the configuration of the engine being removed, with the configuration of the engine being installed. For any external components not supplied with the engine being installed, reuse those parts from the engine that has just been removed. Do not return the old engine, until the unit is reassembled.

580SM CASE BACKHOE LOADER (EUROPE) (2/02-)

02-006/2B-01(01) ENGINE MOUNTING

Ref	Part Number	Qty	Description
1	175637A1	1	SUPPORT,
2	814-12110	4	BOLT, Hex, M12 x 110, 8.8, M12 x 110
3	896-15012	4	WASHER, M12 x 28.5 x 4, HT, 13,5 x 28 x 4 mm
4	A170309	2	BUSHING,
5	814-12085	2	BOLT, Hex, M12 x 85, 8.8, M12 x 85
6	496-81018	4	WASHER, 33/64 x 2 x 1/8
7	117844A1	2	MOUNTING PARTS,
8	896-15012	2	WASHER, M12 x 28.5 x 4, HT, 13,5 x 28 x 4 mm
9	832-10412	2	NUT, LOCK, M12 x 1.75, CI 8, M12; 8
10	87412114	1	ENGINE ASSY, , Less : Starter, Alternator, Fan, Fan Belt, Air Cleaner, Muffler, Exhaust Pipe, See Page(s) 02-007/2-00-01, 02-007/2C-02-01, 02-008B-00-01, 02-009/2B-00-01, 02-010/2-01-01, 02-010/2B-02-01, 02-011/2B-00-01, 02-013/2B-00-01, 02-014-01-01, 02-014/2B-01-01, 02-015-00-01, 02-015/2B-01-01, 02-016B-00-01, 02-017-00-01, 02-017/2B-01-01, 02-018/2-00-01, 02-018/2B-02-01, 02-019-00-01, 02-019/2B-01-01, 02-020/2-00-01, 02-020/2B-02-01, 02-021/2B-00-01, 02-022/2-00-01, 02-022/2C-01-01, 02-023B-00-01, 03-004-00-01, 03-004/2-00-01, 03-004/2B-01-01, 03-006/2-00-01, 03-006/2B-02-01, 03-008-00-01, 03-008/2B-01-01, 03-009C-00-01, Powershift
10	87412113	1	ENGINE ASSY, , Less : Starter, Alternator, Fan, Fan Belt, Air Cleaner, Muffler, Exhaust Pipe, See Page(s) 02-007/2-00-01, 02-007/2C-02-01, 02-008B-00-01, 02-009/2B-00-01, 02-010/2-01-01, 02-010/2B-02-01, 02-011/2B-00-01, 02-013/2B-00-01, 02-014-01-01, 02-014/2B-01-01, 02-015-00-01, 02-015/2B-01-01, 02-016B-00-01, 02-017-00-01, 02-017/2B-01-01, 02-018/2-00-01, 02-018/2B-02-01, 02-019-00-01, 02-019/2B-01-01, 02-020/2-00-01, 02-020/2B-02-01, 02-021/2B-00-01, 02-022/2-00-01, 02-022/2C-01-01, 02-023B-00-01, 03-004-00-01, 03-004/2-00-01, 03-004/2B-01-01, 03-006/2-00-01, 03-006/2B-02-01, 03-008-00-01, 03-008/2B-01-01, 03-009C-00-01, Power Shuttle
10	234277A2	1	ENGINE, BASIC, , See Page(s) 02-007/2-00-01, 02-007/2C-02-01, 02-008B-00-01, 02-009/2B-00-01, 02-010/2-01-01, 02-010/2B-02-01, 02-011/2B-00-01, 02-013/2B-00-01, 02-014-01-01, 02-014/2B-01-01, 02-015-00-01, 02-015/2B-01-01, 02-016B-00-01, 02-017-00-01, 02-017/2B-01-01, 02-018/2-00-01, 02-018/2B-02-01, 02-019-00-01, 02-019/2B-01-01, 02-020/2-00-01, 02-020/2B-02-01, 02-021/2B-00-01, 02-022/2-00-01, 02-022/2C-01-01, 02-023B-00-01, 03-004-00-01, 03-004/2-00-01, 03-004/2B-01-01, 03-006/2-00-01, 03-006/2B-02-01, 03-008-00-01, 03-008/2B-01-01, 03-009C-00-01, Less : Starter, Alternator, Fan, Fan Belt, Air Cleaner, Muffler, Exhaust Manifold, Flywheel and Housing Oil Fill and Dipstick, Fuel Injection Pump, Injectors and Lines, Front Pulley, Belt Tensioner, Turbocharger and Aftercooler; See Note

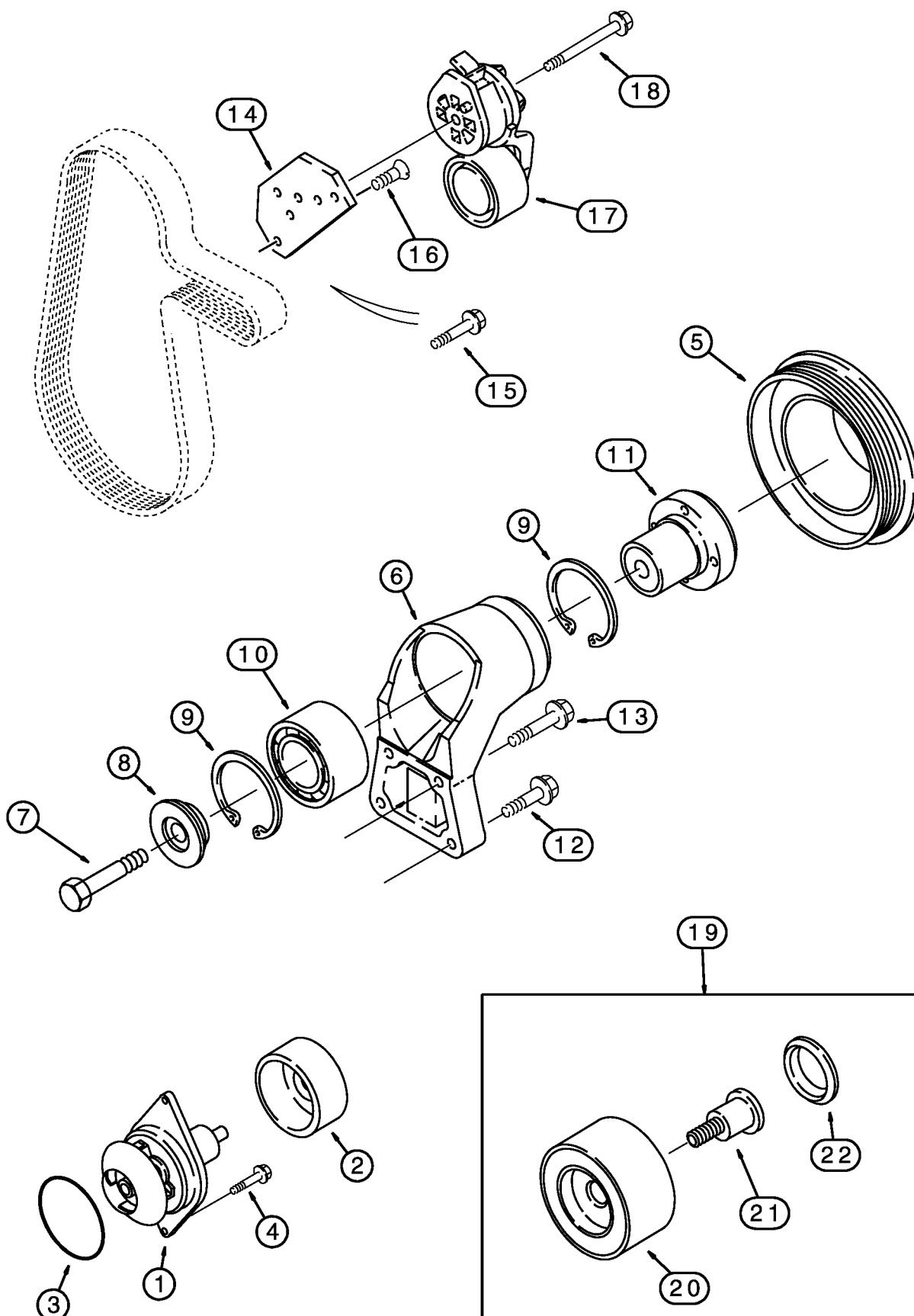
Emission Certified Engine Note: Basic engines and reman engines are generic engines. The engines are complete internally; however, externally all parts are not supplied with the engines. Check the configuration of the engine being removed, with the configuration of the engine being installed. For any external components not supplied with the engine being installed, reuse those parts from the engine that has just been removed. Do not return the old engine, until the unit is reassembled.



580SM CASE BACKHOE LOADER (EUROPE) (2/02-)

02-007/2-00(01) WATER PUMP SYSTEM

Ref	Part Number	Qty	Description
	J802970	1	PUMP, WATER, , Consists Of Ref. Numbers 1-3
1	NSS	1	NOT SERVICED SEPARATELY, Pump, Water
2	NSS	1	NOT SERVICED SEPARATELY, Pulley
3	238-5341	2	O-RING, -341, 70 Duro, 3.475" ID x .210" Thk,
4	J900227	1	SCREW, Hex, M8 x 1.25 x 22,
5	J914459	1	PULLEY,
6	J911205	1	BRACKET, , Consists Of Ref. Numbers 7-11
7	J907769	1	BOLT, M10 x 70
8	J923044	1	RETAINER,
9	100-21250	2	RING, SNAP, 2.50", Int, #250,
10	J910739	1	BEARING, BALL,
11	J911924	1	HUB,
12	845-8030	2	BOLT, Hex Flg, M8 x 30, 8.8,
13	845-8040	2	BOLT, Hex Flg, M8 x 40, 8.8, M8 x 40
14	J925198	1	SUPPORT,
15	845-8025	1	BOLT, Hex Flg, M8 x 25, 8.8,
16	J925186	1	SCREW, COUNTERSUNK, Torx Soc, M8 x 1.25 x 21, M8 x 25
17	J936208	1	TENSIONER,
18	854-10070	1	BOLT, Hex Flg, M10 x 70, 10.9, M10 x 70
19	A77817	1	PACKAGE, REPAIR, , Consists Of Ref. Numbers 20-22
20	NSS	1	NOT SERVICED SEPARATELY, Pulley
21	NSS	1	NOT SERVICED SEPARATELY, Screw
22	NSS	1	NOT SERVICED SEPARATELY, Seal

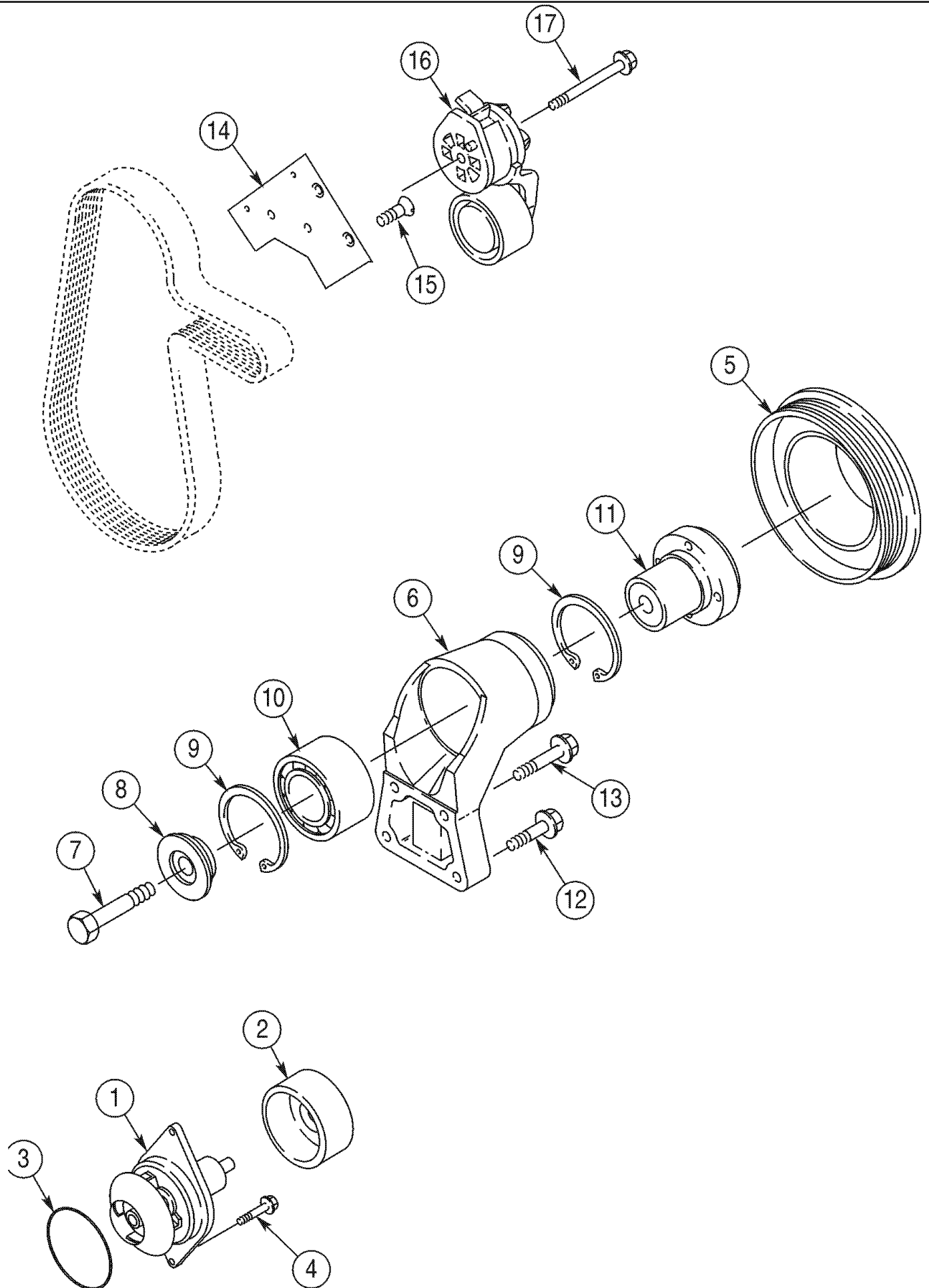


580SM CASE BACKHOE LOADER (EUROPE) (2/02-)

02-007/2B-01(01) WATER PUMP SYSTEM

Ref	Part Number	Qty	Description
	J802970	1	PUMP, WATER, , Consists Of Ref. Numbers 1-3
1	NSS	1	NOT SERVICED SEPARATELY, Pump, Water
2	NSS	1	NOT SERVICED SEPARATELY, Pulley
3	238-5341	2	O-RING, -341, 70 Duro, 3.475" ID x .210" Thk,
4	J900227	1	SCREW, Hex, M8 x 1.25 x 22,
5	J914459	1	PULLEY,
6	J911205	1	BRACKET, , Consists Of Ref. Numbers 7-11
7	J907769	1	BOLT, M10 x 70
8	J923044	1	RETAINER,
9	100-21250	2	RING, SNAP, 2.50", Int, #250,
10	J910739	1	BEARING, BALL,
11	J911924	1	HUB,
12	854-8040	2	BOLT, Hex Flg, M8 x 40, 10.9, M8 x 40
13	844-8030	2	BOLT, Hex Flg, M8 x 30, 8.8, Full Thd, M8 x 30; 8.8
14	J925198	1	SUPPORT,
15	845-8025	1	BOLT, Hex Flg, M8 x 25, 8.8,
16	J925186	1	SCREW, COUNTERSUNK, Torx Soc, M8 x 1.25 x 21, M8 x 25
17	J936209	1	TENSIONER,
18	854-10070	1	BOLT, Hex Flg, M10 x 70, 10.9, M10 x 70
19	A77817	1	PACKAGE, REPAIR, , Tensioner, Used With J934937, Consists Of Ref. Numbers 20-22
20	NSS	1	NOT SERVICED SEPARATELY, Pulley
21	NSS	1	NOT SERVICED SEPARATELY, Screw
22	NSS	1	NOT SERVICED SEPARATELY, Seal

Power Shuttle Emission Engine

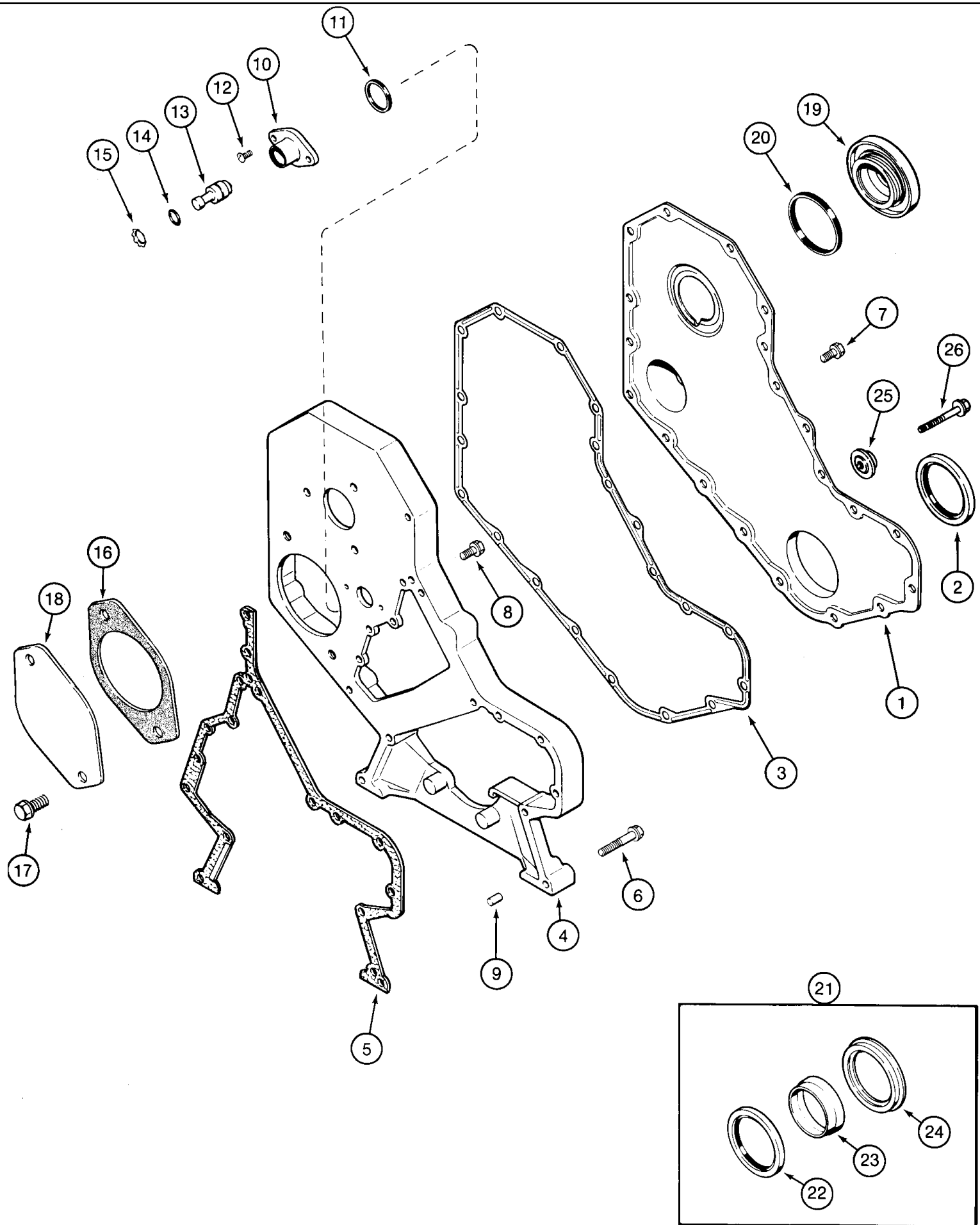


580SM CASE BACKHOE LOADER (EUROPE) (2/02-)

02-007/2C-02(01) WATER PUMP SYSTEM

Ref	Part Number	Qty	Description
	J286277	1	PUMP, WATER, , Consists Of Ref. Numbers 1-3
1	NSS	1	NOT SERVICED SEPARATELY, Pump, Water
2	NSS	1	NOT SERVICED SEPARATELY, Pulley
3	238-5341	2	O-RING, -341, 70 Duro, 3.475" ID x .210" Thk,
4	J900227	1	SCREW, Hex, M8 x 1.25 x 22,
5	J914459	1	PULLEY,
6	J911205	1	BRACKET, , Consists Of Ref. Numbers 7-11
7	J907769	1	BOLT, M10 x 70
8	J923044	1	RETAINER,
9	100-21250	2	RING, SNAP, 2.50", Int, #250,
10	J910739	1	BEARING, BALL,
11	J911924	1	HUB,
12	845-8030	2	BOLT, Hex Flg, M8 x 30, 8.8,
13	845-8040	2	BOLT, Hex Flg, M8 x 40, 8.8, M8 x 40
14	J934469	1	SUPPORT,
15	J925186	2	SCREW, COUNTERSUNK, Torx Soc, M8 x 1.25 x 21, M8 x 25
16	J936209	1	TENSIONER,
17	854-10070	1	BOLT, Hex Flg, M10 x 70, 10.9, M10 x 70

Power Shuttle No Emission Engine



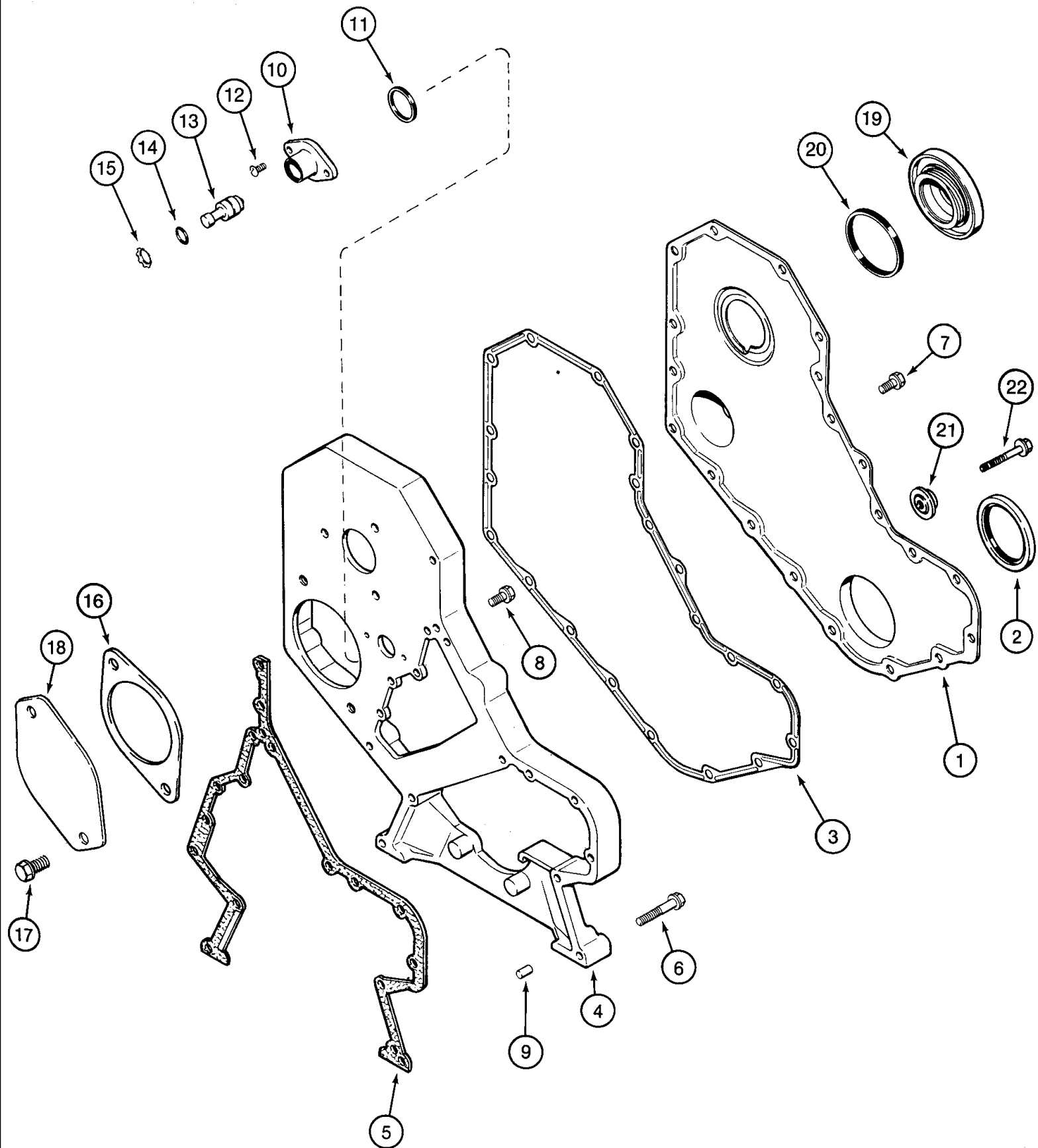
580SM CASE BACKHOE LOADER (EUROPE) (2/02-)

02-008/2A-00(01) FRONT TIMING GEAR COVER

Ref	Part Number	Qty	Description
1	J903794	1	COVER,
2	NSS	1	NOT SERVICED SEPARATELY, Seal, Order J904353
3	J914385	1	GASKET,
4	J920758	1	HOUSING,
5	J931351	1	GASKET,
6	845-8050	10	BOLT, Hex Flg, M8 x 50, 8.8, M8 x 50; 8,8
7	J924962	11	BOLT, M8 x 16
8	J924962	5	BOLT, M8 x 16
9	J900257	2	PIN, 16 mm
10	J919683	1	HOUSING,
11	J915772	1	SEALRING,
12	J907998	2	SCREW, LOCK, Spc Rd Torx Hd, M5 x 17,
13	J903924	1	PIN,
14	J913994	1	O-RING,
15	100-2587	1	RING, SNAP, 0.875", Int, #87,
16	J929751	2	GASKET,
17	854-12025	2	BOLT, Hex Flg, M12 x 25, 10.9, M12 x 25; 10.9
18	J914868	1	COVER,
19	J903463	1	COVER,
20	J903475	1	SEAL,
21	J912772	1	RETAINER, , Consists Of Ref. Numbers 2, 22-24
22	845-8060	1	BOLT, Hex Flg, M8 x 60, 8.8, M8 x 60

Powershift No Emission Engine

02-008/2C-01(01) FRONT TIMING GEAR COVER



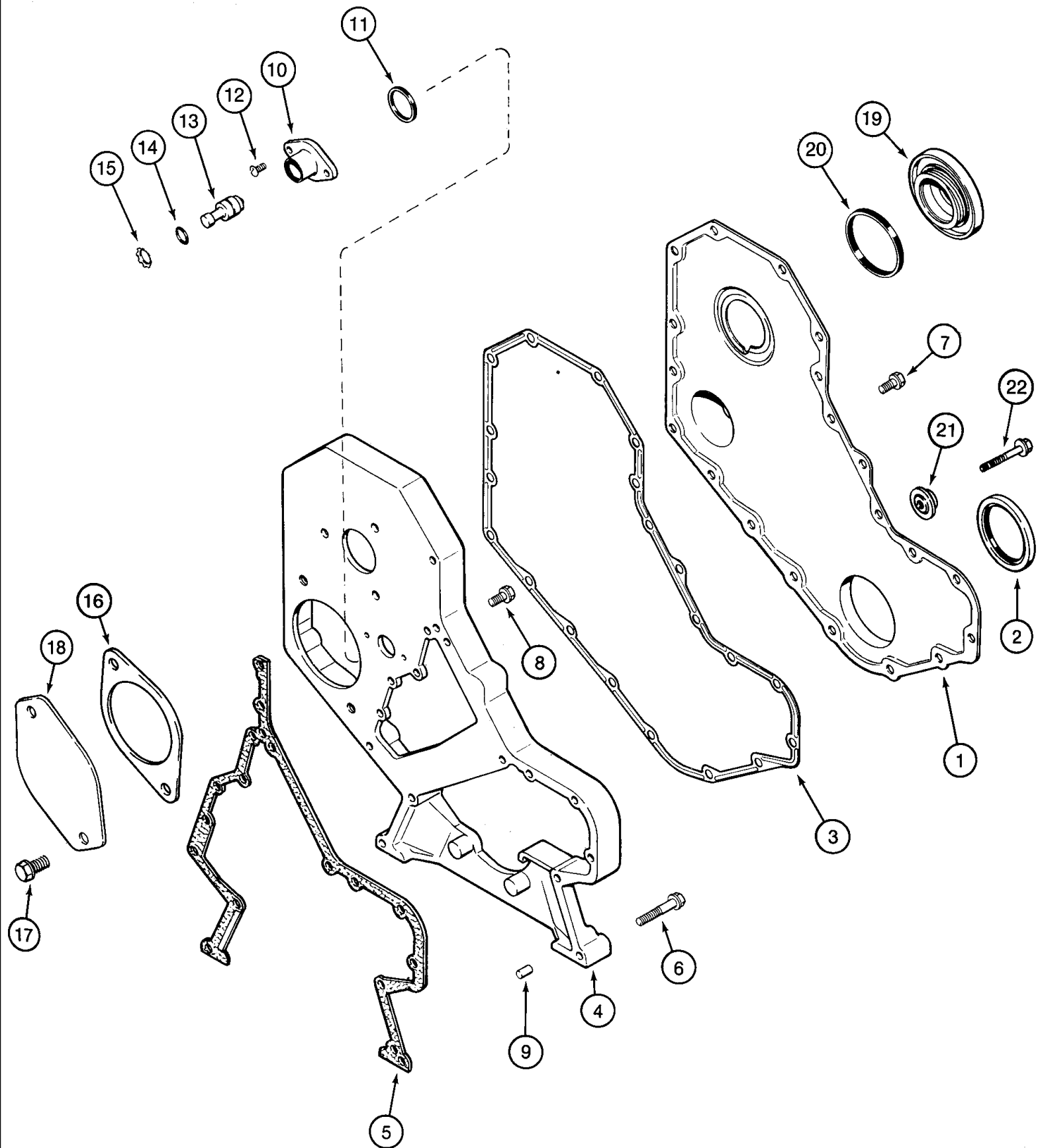
580SM CASE BACKHOE LOADER (EUROPE) (2/02-)

02-008/2C-01(01) FRONT TIMING GEAR COVER

Ref	Part Number	Qty	Description
1	J903794	1	COVER,
2	NSS	1	NOT SERVICED SEPARATELY, Seal, Order A77889, See Page(s) 02-019/1-00-01 To 02-019/2C-02-01
3	J914385	1	GASKET,
4	J920758	1	HOUSING,
5	J938156	1	GASKET,
6	845-8050	10	BOLT, Hex Flg, M8 x 50, 8.8, M8 x 50; 8,8
7	J924962	11	BOLT, M8 x 16
8	J926846	5	BOLT, M8 x 16
9	J900257	2	PIN, 16 mm
10	J919683	1	HOUSING,
11	J915772	1	SEALRING,
12	J907998	2	SCREW, LOCK, Spc Rd Torx Hd, M5 x 17,
13	J903924	1	PIN,
14	J913994	1	O-RING,
15	100-2587	1	RING, SNAP, 0.875", Int, #87,
16	J938655	1	GASKET,
17	854-12025	2	BOLT, Hex Flg, M12 x 25, 10.9, M12 x 25; 10.9
18	J914868	1	COVER,
19	J903463	1	COVER,
20	J903475	1	SEAL,
21	J912772	1	RETAINER,
22	845-8060	1	BOLT, Hex Flg, M8 x 60, 8.8, M8 x 60

Power Shuttle No Emission Engine / Engine Serial Number - 46173418

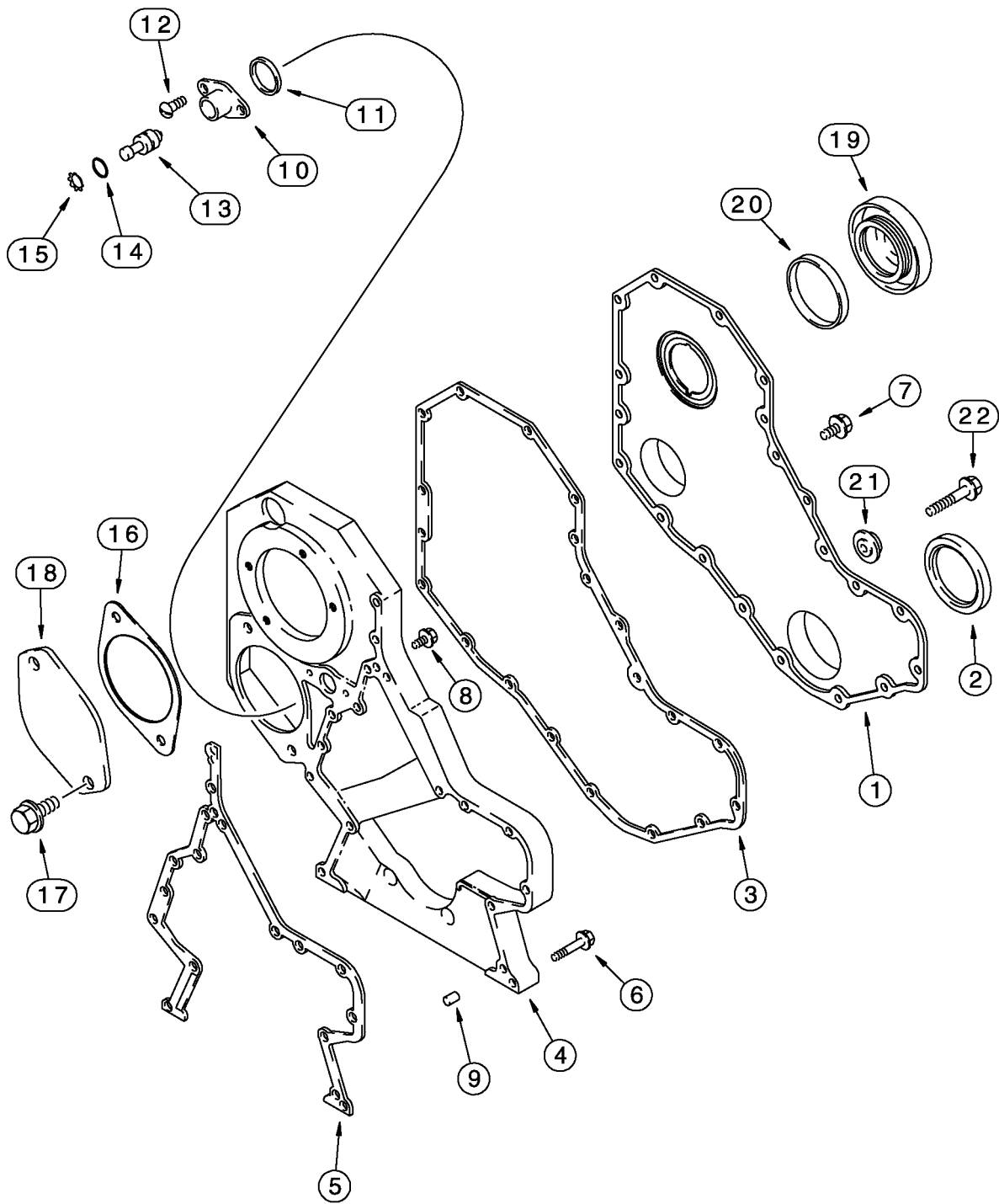
02-008/2C-02(01) FRONT TIMING GEAR COVER



580SM CASE BACKHOE LOADER (EUROPE) (2/02-)

02-008/2C-02(01) FRONT TIMING GEAR COVER

Ref	Part Number	Qty	Description
1	J903794	1	COVER,
2	NSS	1	NOT SERVICED SEPARATELY, Seal, See Page(s) 02-019/1-00-01 To 02-019/2C-02-01
1	J286312	1	COVER,
2	NSS	1	NOT SERVICED SEPARATELY, Seal, See Page(s) 02-019/1-00-01 To 02-019/2C-02-01, Order A77889
4	J920758	1	HOUSING,
5	J938156	1	GASKET,
6	845-8050	10	BOLT, Hex Flg, M8 x 50, 8.8, M8 x 50; 8.8
7	J924962	11	BOLT, M8 x 16
8	J926846	5	BOLT, M8 x 16
9	J900257	2	PIN, 16 mm
10	J919683	1	HOUSING,
11	J915772	1	SEALRING,
12	J907998	2	SCREW, LOCK, Spc Rd Torx Hd, M5 x 17,
13	J903924	1	PIN,
14	J913994	1	O-RING,
15	100-2587	1	RING, SNAP, 0.875", Int, #87,
16	J938655	1	GASKET,
17	854-12025	2	BOLT, Hex Flg, M12 x 25, 10.9, M12 x 25; 10.9
18	J914868	1	COVER,
19	J903463	1	COVER,
20	J903475	1	SEAL,
21	J912772	1	RETAINER,
22	845-8060	1	BOLT, Hex Flg, M8 x 60, 8.8, M8 x 60
	J823494	X	SEALANT,

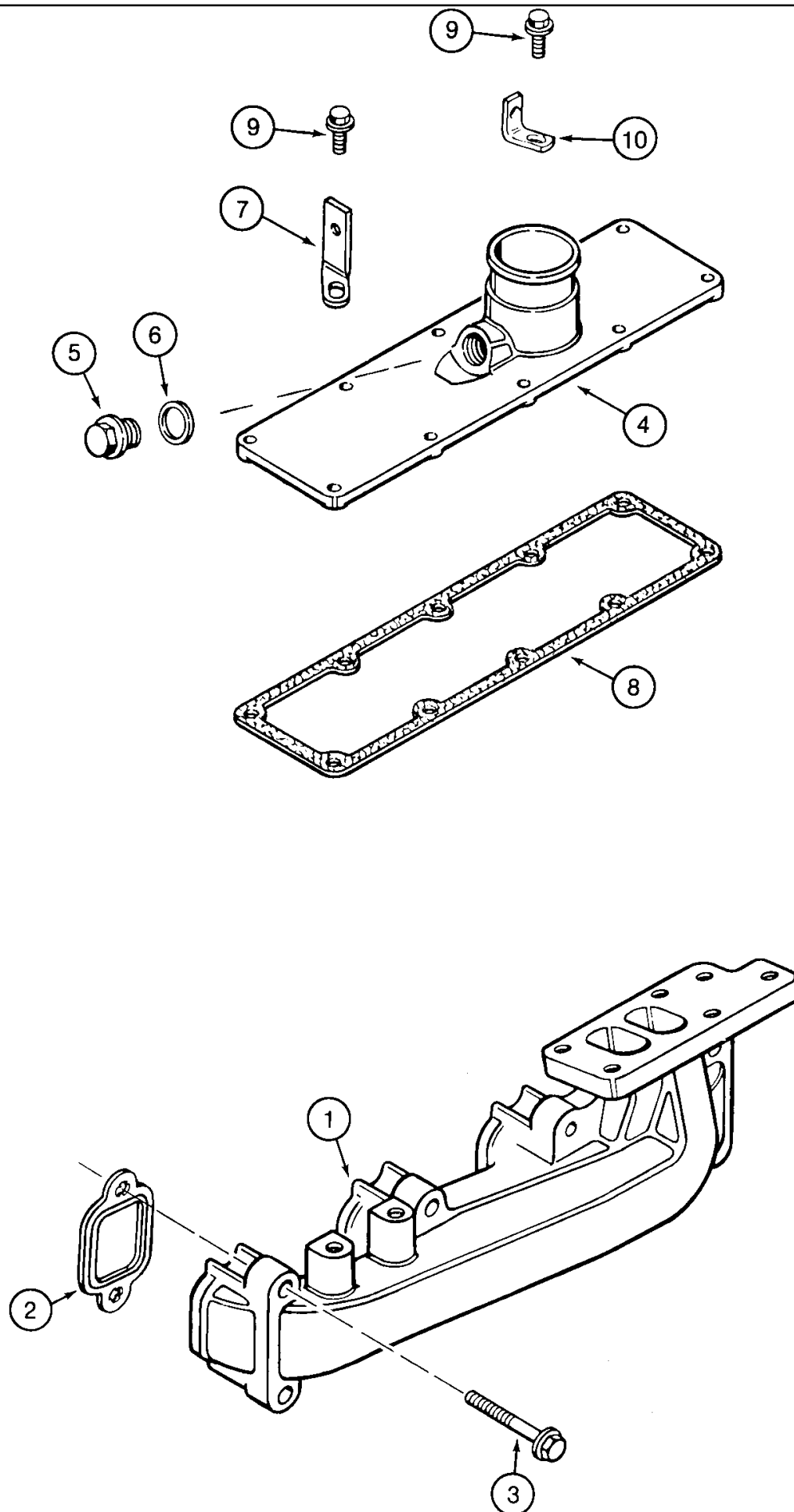


580SM CASE BACKHOE LOADER (EUROPE) (2/02-)

02-008B-00(01) FRONT TIMING GEAR COVER

Ref	Part Number	Qty	Description
1	J935581	1	COVER, , Used With J823494
1	J918675	1	COVER, , Used With J918673
2	NSS	1	NOT SERVICED SEPARATELY,
3	J918673	1	GASKET,
4	J936257	1	HOUSING,
5	J931351	1	GASKET,
6	845-8050	10	BOLT, Hex Flg, M8 x 50, 8.8, M8 x 50; 8,8
7	J924962	8	BOLT, M8 x 16
8	J924962	5	BOLT, M8 x 16
9	J900257	2	PIN, 16 mm
10	J919683	1	HOUSING,
11	J915772	1	SEALRING,
12	J907998	2	SCREW, LOCK, Spc Rd Torx Hd, M5 x 17,
13	J903924	1	PIN,
14	J913994	1	O-RING,
15	100-2587	1	RING, SNAP, 0.875", Int, #87,
16	J929751	1	GASKET,
17	854-12025	2	BOLT, Hex Flg, M12 x 25, 10.9, M12 x 25; 10.9
18	J914868	1	COVER,
19	J903463	1	COVER,
20	J903475	1	SEAL,
21	J912772	1	RETAINER,
22	845-8060	1	BOLT, Hex Flg, M8 x 60, 8.8, M8 x 60
23	J823494	X	SEALANT, 3 oz, Not Illustrated, Used With J935581

Powershift Emission Engine / Power Shuttle Emission Engine

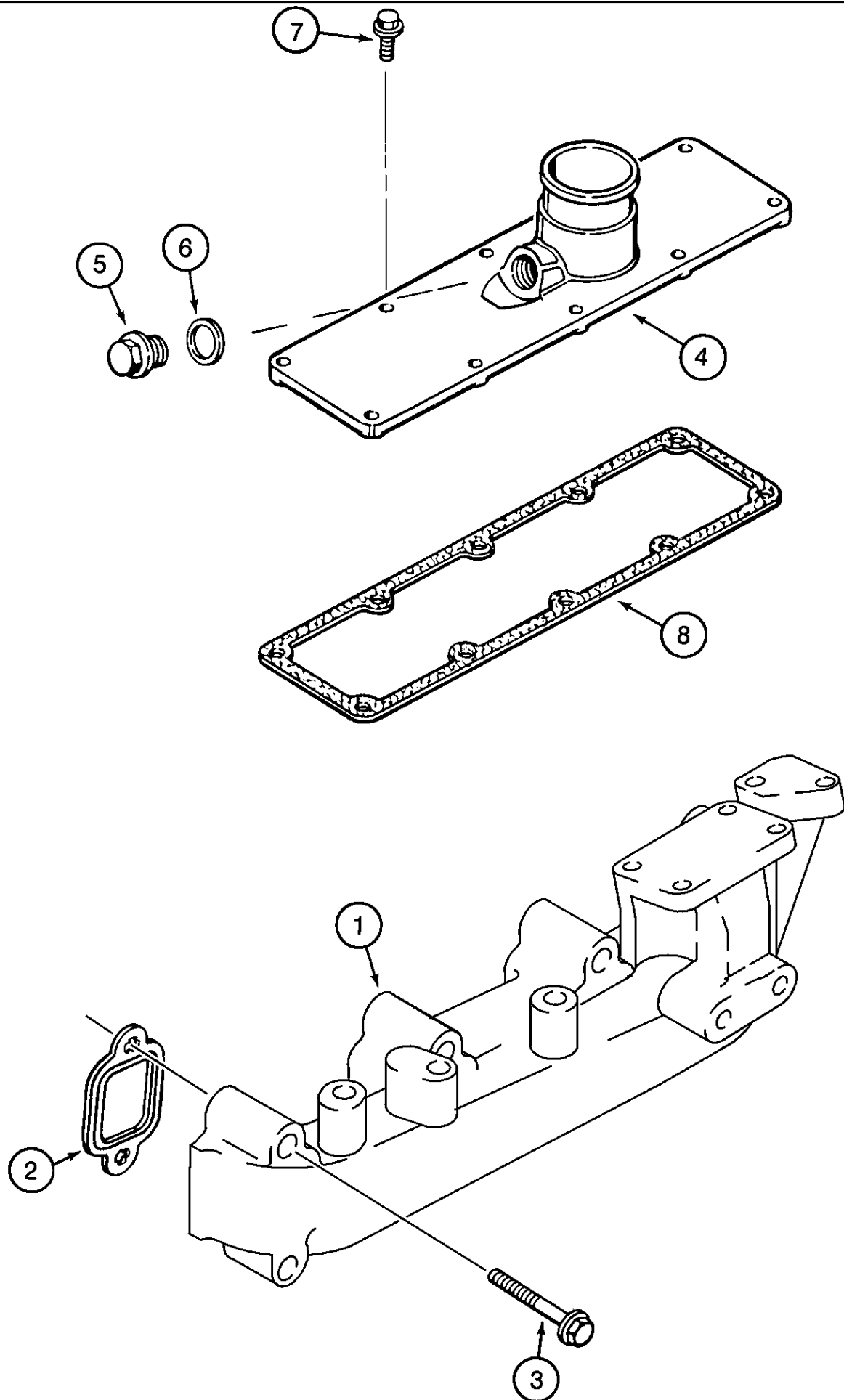


580SM CASE BACKHOE LOADER (EUROPE) (2/02-)

02-009/2-01(01) INTAKE AND EXHAUST PIPES

Ref	Part Number	Qty	Description
			Exhaust
1	J901919	1	MANIFOLD,
2	J905443	4	GASKET,
3	J930249	8	SCREW, 10 x 65 mm
			Intake
4	J904339	1	COVER,
5	J907185	1	PLUG,
6	J906773	1	WASHER,
7	J919292	1	SUPPORT, , See Page(s) 03-004/2-00-01, 03-004/3-00-01
8	J914028	1	GASKET,
9	J918109	10	SCREW, Hex Flg Hd, M8 x 1.25 x 25, M8 x 25
10	J919294	1	SUPPORT, , See Page(s) 03-004/2-00-01, 03-004/3-00-01

No Emission Certified Engine

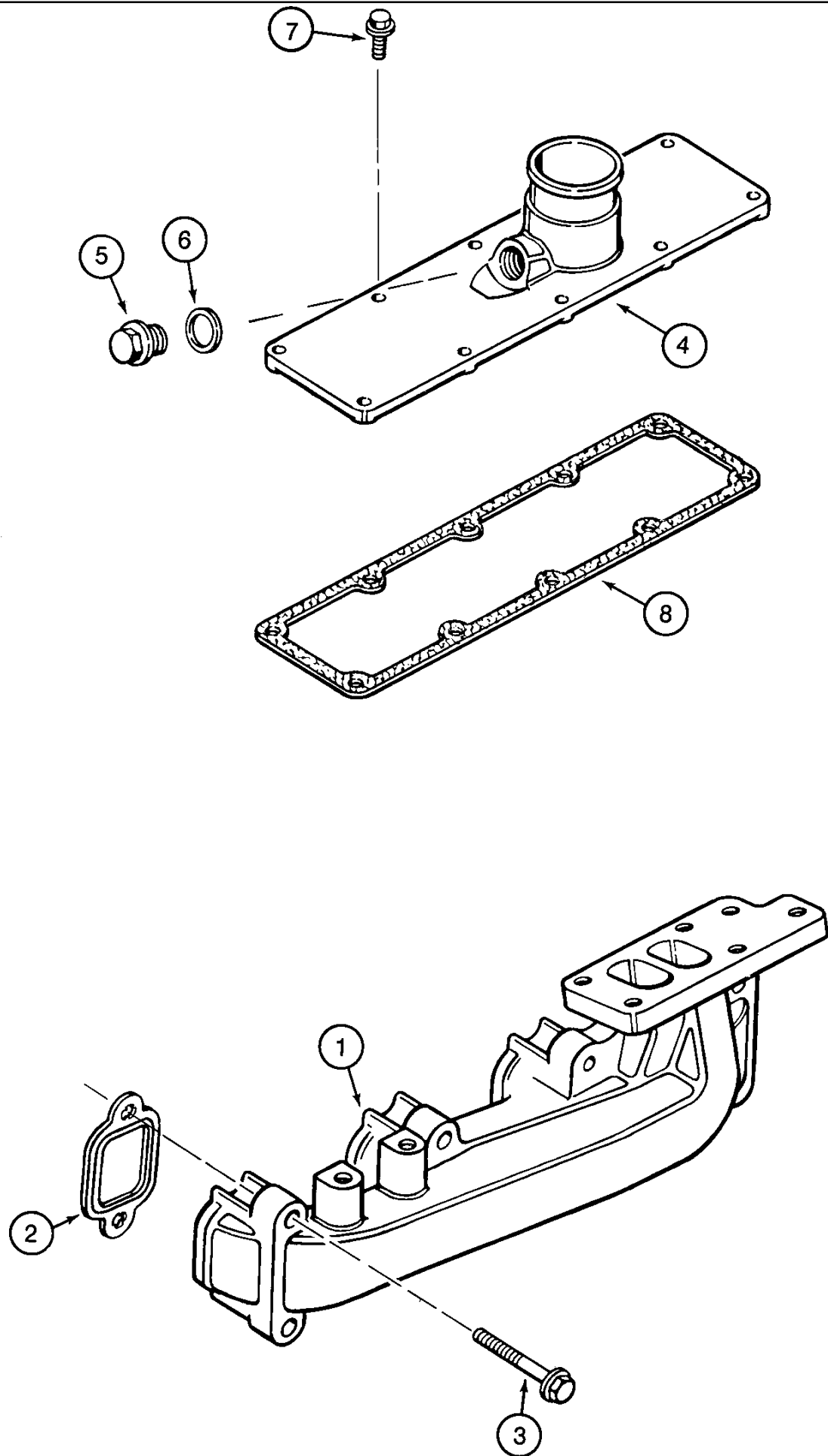


580SM CASE BACKHOE LOADER (EUROPE) (2/02-)

02-009/2B-00(01) INTAKE AND EXHAUST PIPES

Ref	Part Number	Qty	Description
			Exhaust
1	J932145	1	MANIFOLD,
2	J927154	4	GASKET,
3	J930249	8	SCREW, 10 x 65 mm
			Intake
	A77416	1	COVER, , Consists Of Ref. Numbers 4-6
4	J904339	1	COVER,
5	J907185	1	PLUG,
6	J906773	1	WASHER,
7	J918109	10	SCREW, Hex Flg Hd, M8 x 1.25 x 25, M8 x 25
8	J931605	1	GASKET,

Emission Certified Engine / Power Shuttle Emission Engine

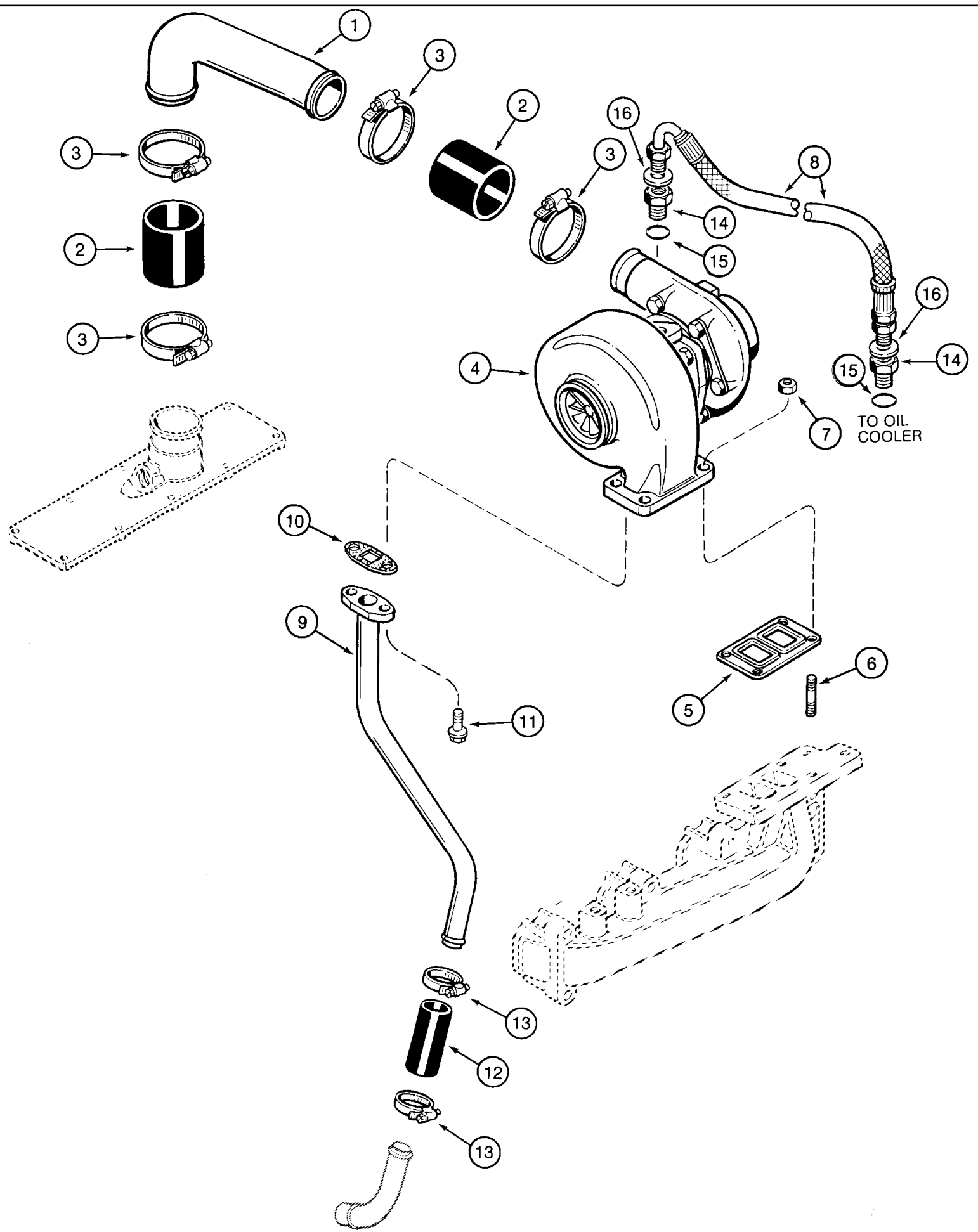


580SM CASE BACKHOE LOADER (EUROPE) (2/02-)

02-009/2B-02(01) INTAKE AND EXHAUST PIPES

Ref	Part Number	Qty	Description
			Exhaust
1	J901919	1	MANIFOLD,
2	J927154	4	GASKET,
3	J901448	8	SCREW, Hex Flg, Lock, M10 x 1.50 x 65, 10 x 65 mm
			Intake
4	J904339	1	COVER,
5	J907185	1	PLUG,
6	J906773	1	WASHER,
7	J918109	10	SCREW, Hex Flg Hd, M8 x 1.25 x 25, M8 x 25
8	J938153	1	GASKET,

Power Shuttle No Emission Engine

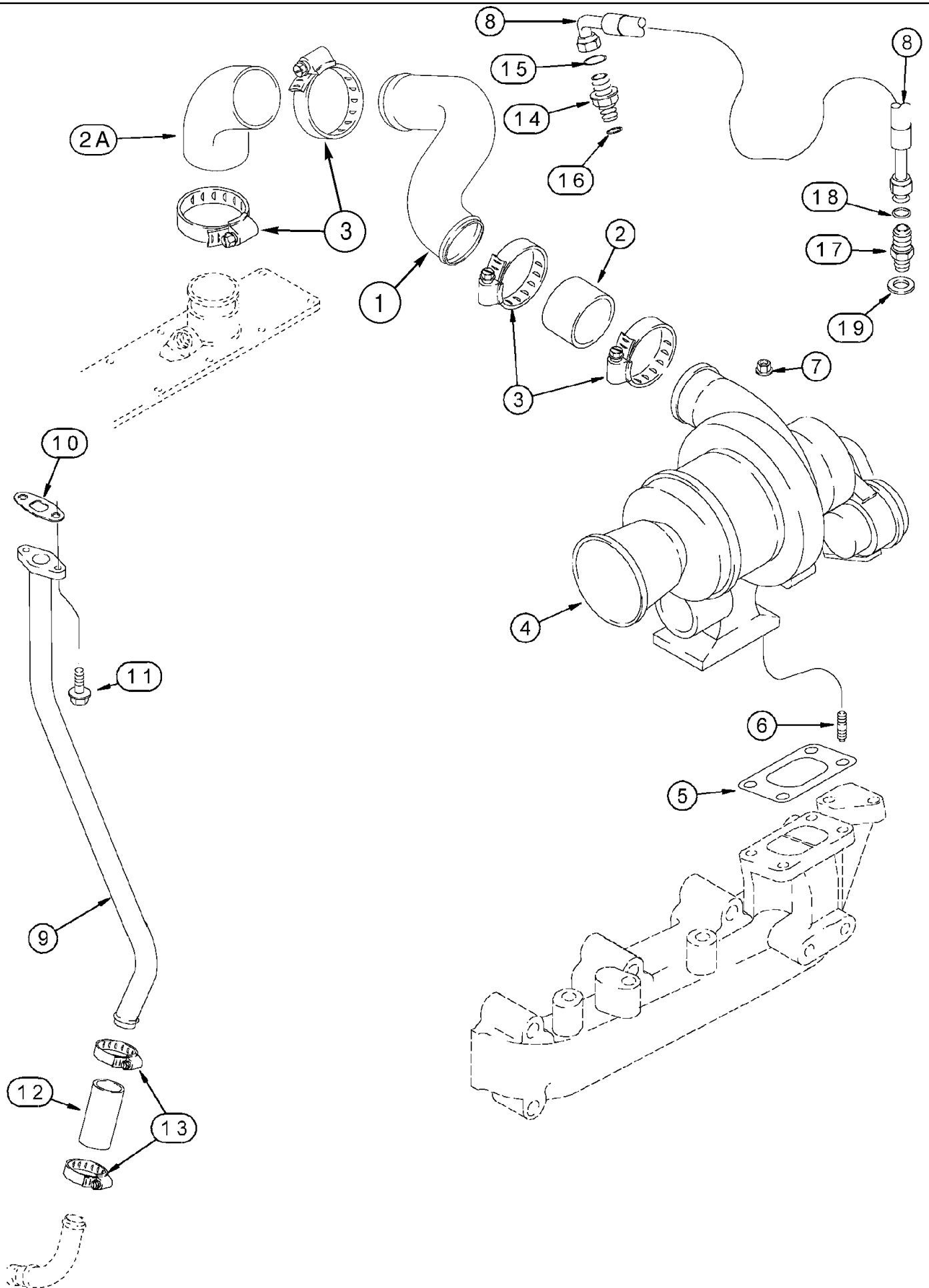


580SM CASE BACKHOE LOADER (EUROPE) (2/02-)

02-010/2-00(01) TURBOCHARGER SYSTEM

Ref	Part Number	Qty	Description
1	J906623	1	HOSE,
2	J916166	2	HOSE, 71 mm (2-7/8 in)
3	214-1428	4	CLAMP, HOSE, #28, 1.31/2.25 Type F Worm,
4	J802290	1	TURBOCHARGER, , See Page(s) 02-011/2-01-01
5	J919369	1	GASKET,
6	J818823	1	STUD, M10 x 40
7	J818824	4	NUT, M10
8	J913759	1	HOSE,
9	J934064	1	TUBE,
10	J931350	1	GASKET,
11	845-8020	2	BOLT, Hex Flg, M8 x 20, 8.8, Full Thd,
12	J931970	1	HOSE, 76 mm (3 in)
13	214-1416	2	CLAMP, HOSE, #16, 0.81/1.50 Type F Worm, 13/16 - 1-1/2
14	J919687	2	CONNECTOR, ELEC, , Consists Of Ref. Number 15
15	238-5013	1	O-RING, -013, 70 Duro, .426" ID x .070" Thk,
16	222-993	2	GASKET, 3/8 Tube, Fl, Copper,

Powershift No Emission Engine

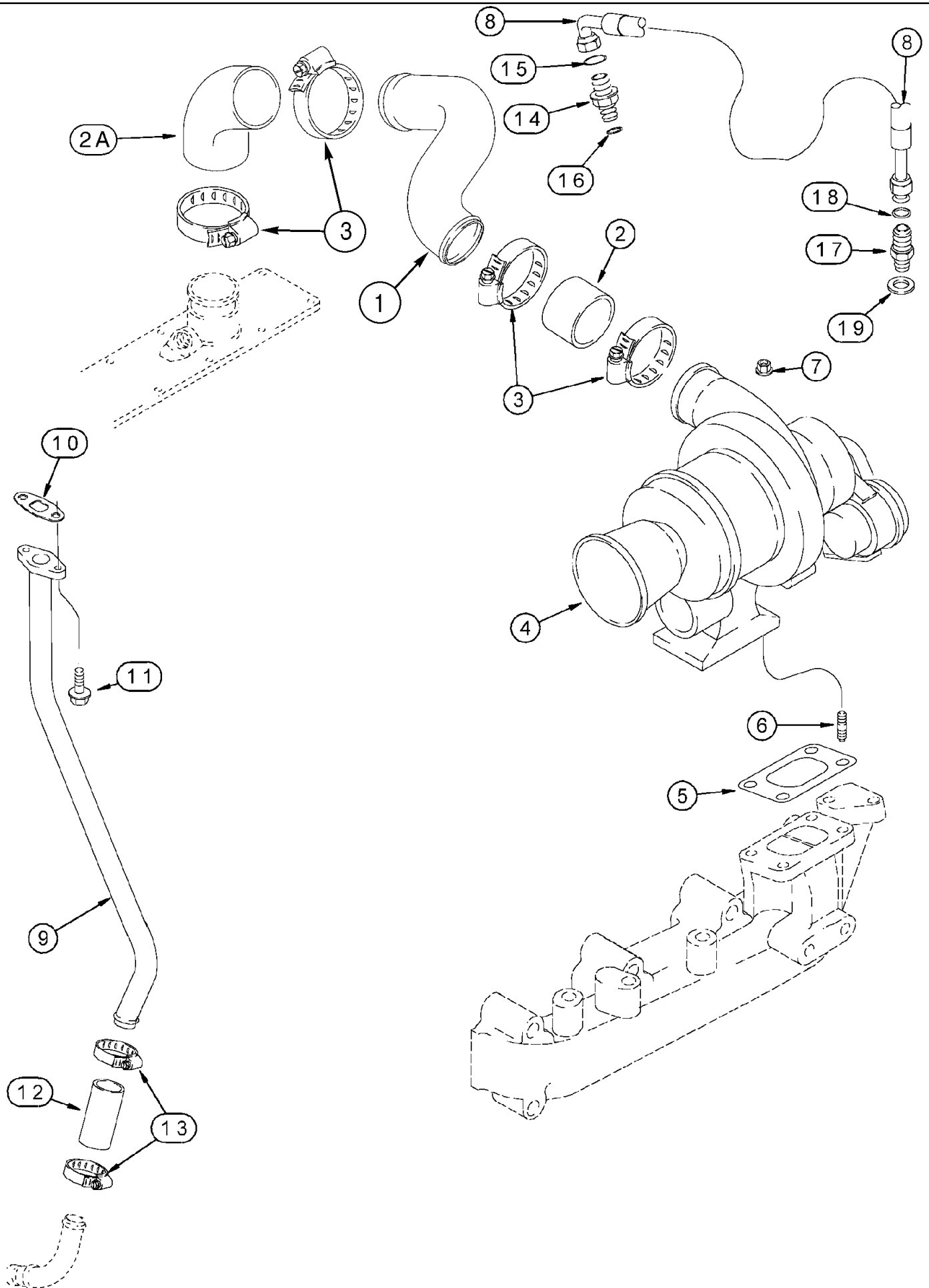


580SM CASE BACKHOE LOADER (EUROPE) (2/02-)

02-010/2-01(01) TURBOCHARGER SYSTEM

Ref	Part Number	Qty	Description
1	J931784	1	TUBE,
2	J916166	1	HOSE, 71 mm (2-7/8 in)
2A	J933026	1	SCREW, HOSE, 76 mm (3 inch) long, air intake
3	214-3240	4	CLAMP, HOSE, 1.75/2.625 HD Worm, W/liner,
4	J806298	1	TURBOCHARGER, , Consists Of Ref. Numbers 5, 10, See Page(s) 02-012/2B-00-01
5	J932475	1	GASKET,
6	J934178	4	STUD, M8
7	J929777	4	NUT, M8
8	J282159	1	HOSE, FLEXIBLE,
9	J934459	1	PIPE ASSY.,
10	J934638	1	GASKET,
11	845-6015	2	BOLT, Hex Flg, M6 x 15, 8.8, Full Thd, M6 x 15; 8,8
12	J931970	1	HOSE, 76 mm (3 in)
13	214-1416	2	CLAMP, HOSE, #16, 0.81/1.50 Type F Worm, 13/16 - 1-1/2
14	J922789	2	CONNECTOR, HYD., , Consists Of Ref. Numbers 15, 16
15	222-993	1	GASKET, 3/8 Tube, Fl, Copper,
16	313262A1	2	SEAL, 9,2 mm ID x 1,7 mm
17	J932445	1	UNION, , Consists Of Ref. Numbers 18, 19
18	238-7012	1	O-RING, -012, CI 7, .364" ID x .070" Thk,
19	J932484	1	WASHER,

Powershift Emission Certified Engine

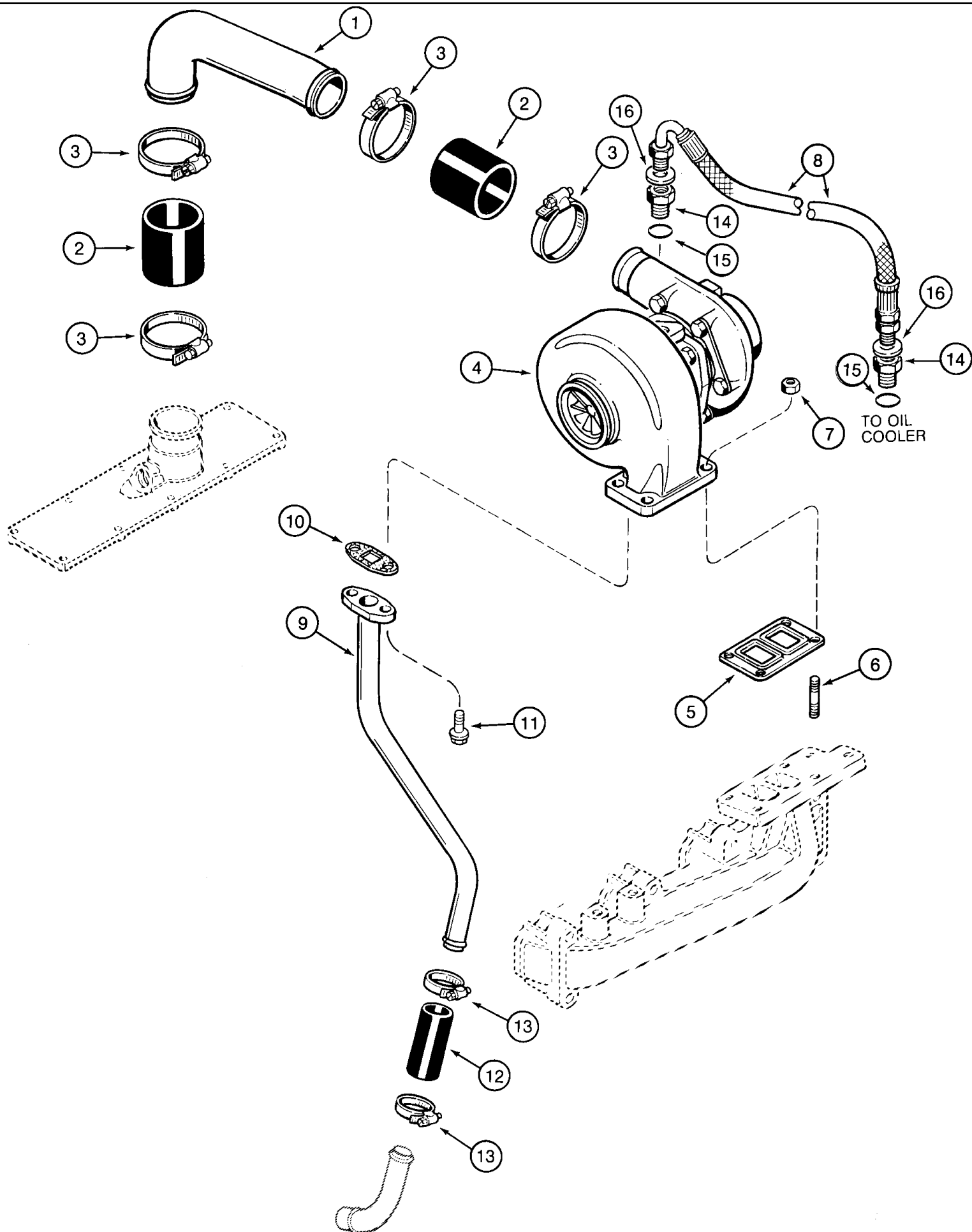


580SM CASE BACKHOE LOADER (EUROPE) (2/02-)

02-010/2B-02(01) TURBOCHARGER SYSTEM

Ref	Part Number	Qty	Description
1	J931784	1	TUBE,
2	J916166	1	HOSE, 71 mm (2-7/8 in)
2A	J933026	1	SCREW, HOSE, 76 mm (3 inch) long, air intake
3	214-3240	4	CLAMP, HOSE, 1.75/2.625 HD Worm, W/liner,
4	REF	1	INSTRUCTION, Turbocharger Ass., See Page(s) 02-011/2B-00-01
5	J932475	1	GASKET,
6	J934178	4	STUD, M8
7	J929777	4	NUT, M8
8	J282159	1	HOSE, FLEXIBLE,
9	J934459	1	PIPE ASSY.,
10	J934638	1	GASKET,
11	845-6015	2	BOLT, Hex Flg, M6 x 15, 8.8, Full Thd, M6 x 15; 8,8
12	J931970	1	HOSE, 76 mm (3 in)
13	214-1416	2	CLAMP, HOSE, #16, 0.81/1.50 Type F Worm, 13/16 - 1-1/2
14	J922789	1	CONNECTOR, HYD., , Consists Of Ref. Numbers 15, 16
15	J678603	1	O-RING, 9,3 mm ID x 2,2 mm
16	313262A1	2	SEAL, 9,2 mm ID x 1,7 mm
17	J932445	1	UNION, , Consists Of Ref. Numbers 18, 19
18	238-7012	1	O-RING, -012, CI 7, .364" ID x .070" Thk,
19	J932484	1	WASHER,

Power Shuttle Emission Engine



580SM CASE BACKHOE LOADER (EUROPE) (2/02-)

02-010/2B-03(01) TURBOCHARGER SYSTEM

Ref	Part Number	Qty	Description
1	J912240	1	TUBE,
2	J916438	2	HOSE, 80 mm (3-1/8 in)
3	214-3240	4	CLAMP, HOSE, 1.75/2.625 HD Worm, W/liner,
4	REF	1	INSTRUCTION, Turbocharger Ass., See Page(s) 02-011/2B-02-01
5	J919369	1	GASKET,
6	J818823	1	STUD, M10 x 40
7	J818824	4	NUT, M10
8	J913759	1	HOSE,
9	J934064	1	TUBE,
10	J937706	1	GASKET,
11	845-8020	2	BOLT, Hex Flg, M8 x 20, 8.8, Full Thd,
12	J286499	1	HOSE,
13	214-1512	2	CLAMP, HOSE, #12, .69/1.25 Type F Worm, W/liner, 11/16 - 1-1/4
14	J919687	2	CONNECTOR, ELEC, , Consists Of Ref. Number 15
15	238-5013	1	O-RING, -013, 70 Duro, .426" ID x .070" Thk,
16	222-993	2	GASKET, 3/8 Tube, Fl, Copper,

Power Shuttle No Emission Engine

BUY NOW

**Then Instant Download
the Complete Manual
Thank you very much!**