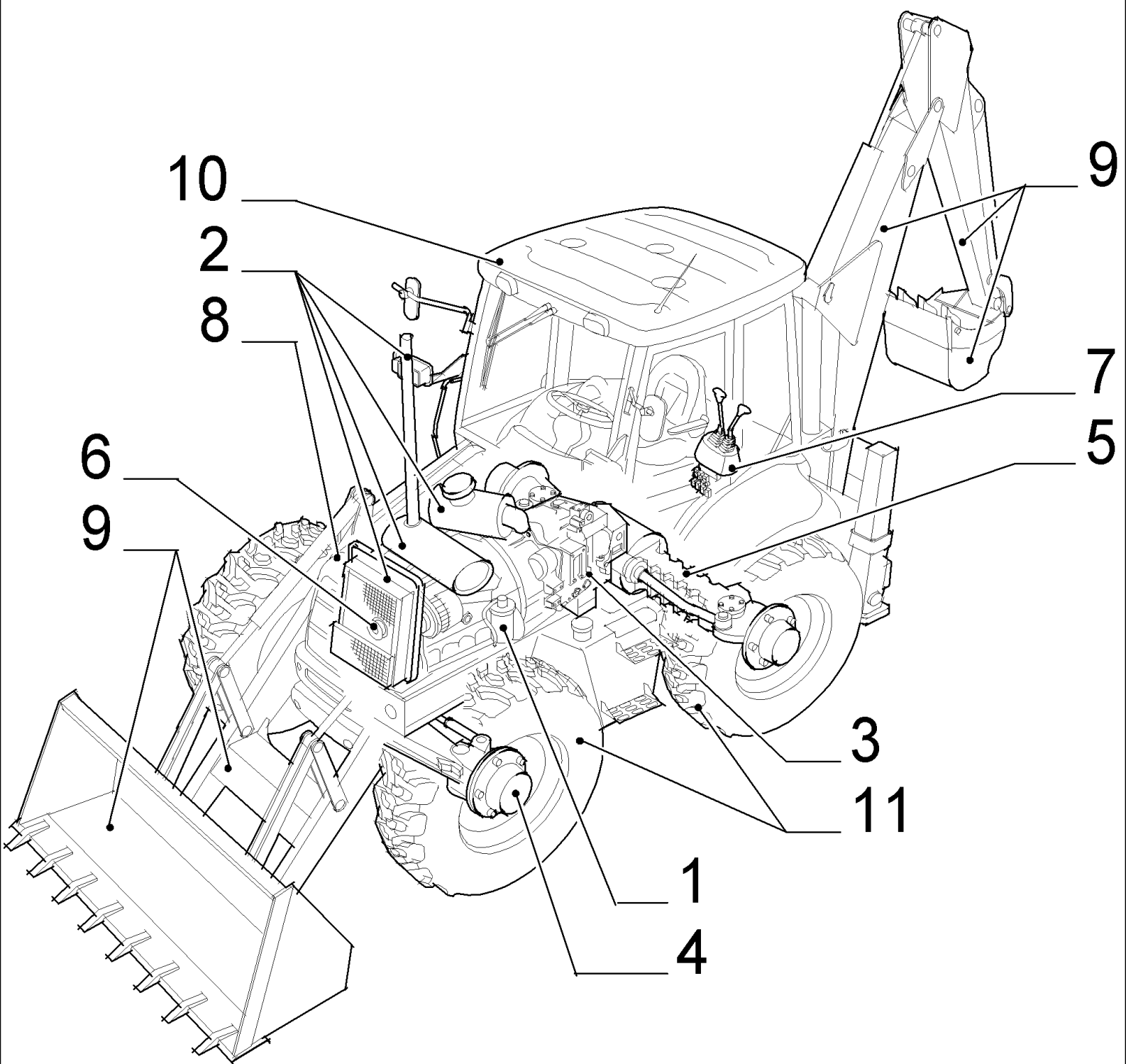


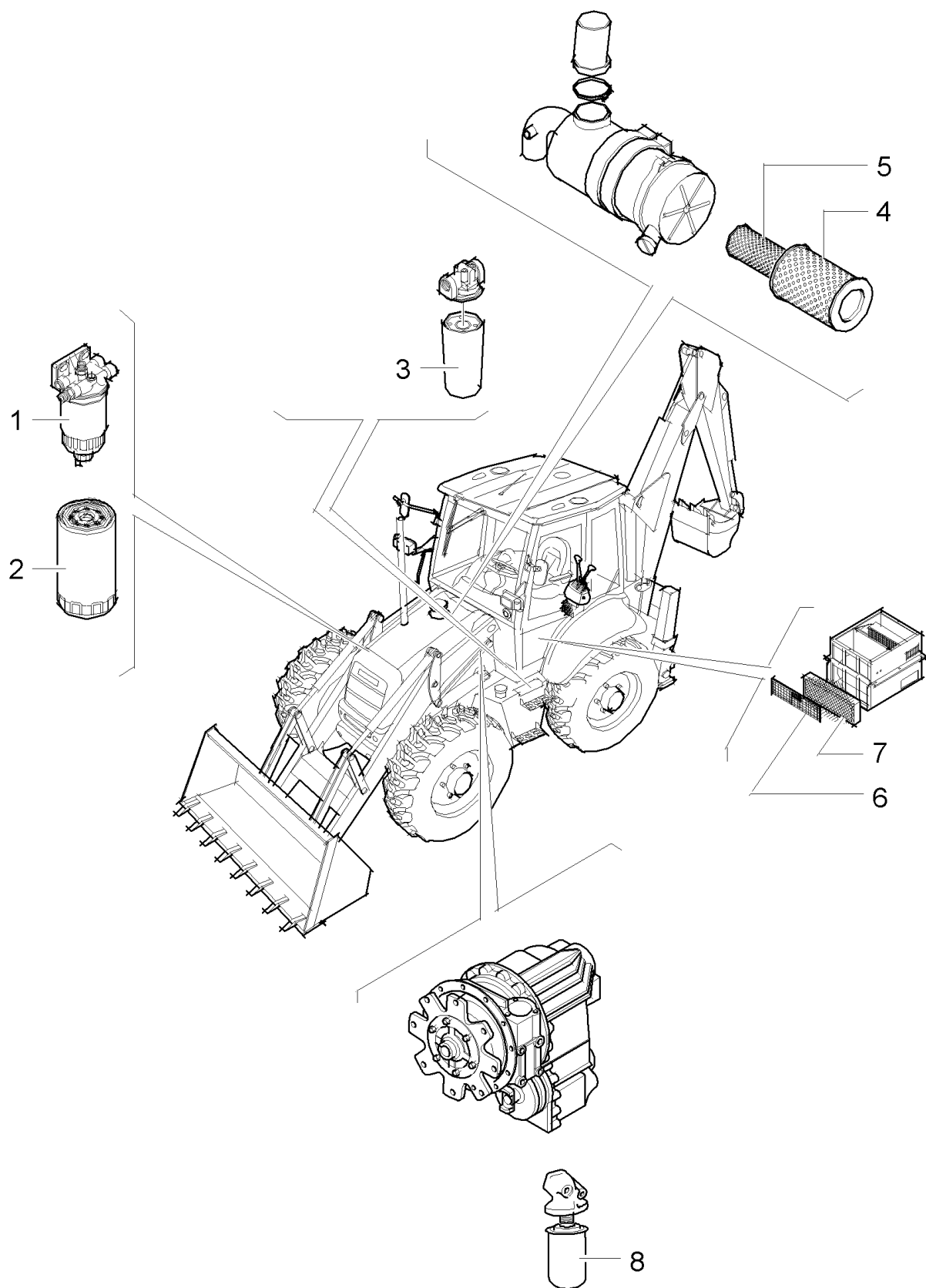


# PARTS CATALOGUE

695SR

MAIN SECTIONS

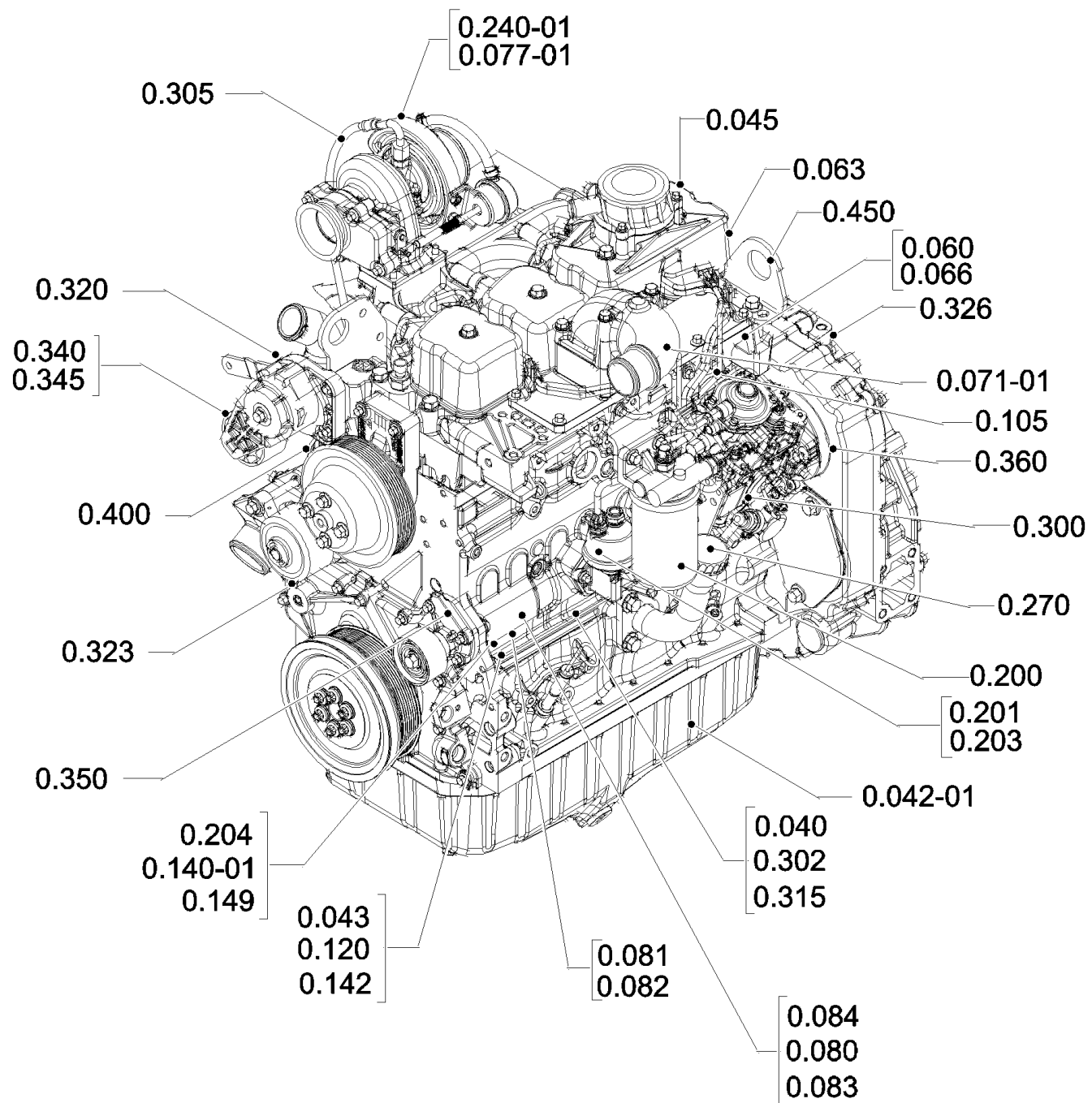




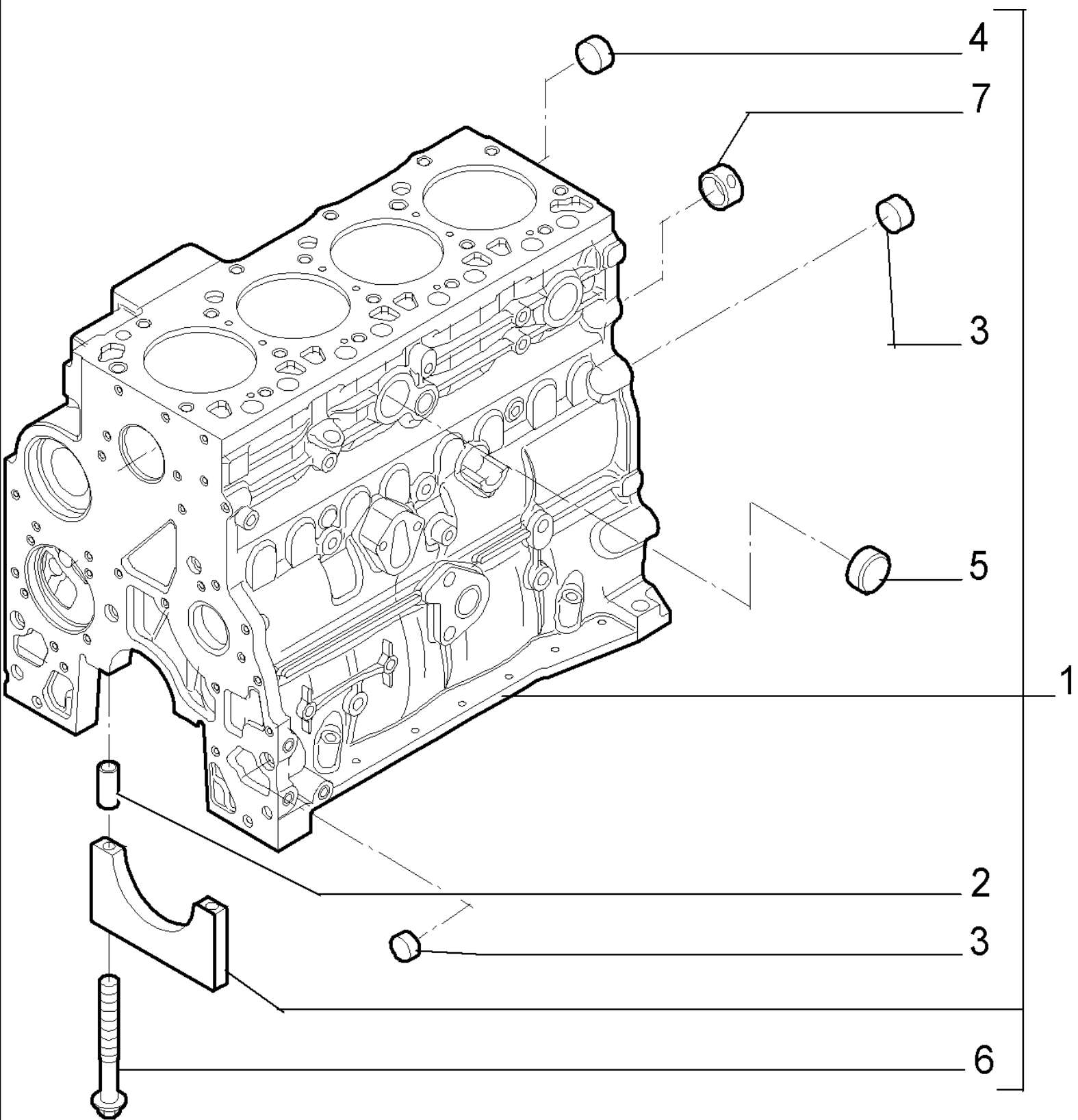
## 695SR CASE SUPER-R BACKHOE LOADER (1/04- )

## MPARTS(00) MAITENANCE PARTS

Ref	Part Number	Qty	Description
1	47135707	1	FILTER, FUEL, , See Page 0.200 Ref : 6
2	87803261	1	FILTER, ENGINE OIL, , See Page 0.302 Ref : 1
3	85825356	1	FILTER, ELEMENT, , See Page 1.82.6 06 Ref : 1
4	87438248	1	FILTER, AIR, , See Page 1.09.1 Ref : 4
5	87438245	1	FILTER, AIR, , See Page 1.09.1 Ref : 3
6	85826027	1	FILTER, AIR, , See Page 1.94.2 Ref : 4
7	85826033	1	FILTER, AIR, , See Page 1.94.2 Ref : 3
8	85817004	1	FILTER, , Power Shuttle See Page 1.28 -A 03 Ref : 11 And See Page 1.28 -B 03 Ref : 14
8	85826021	1	FILTER, HYDRAULIC OIL, , Power Shift See Page 1.28 -D Ref : 3



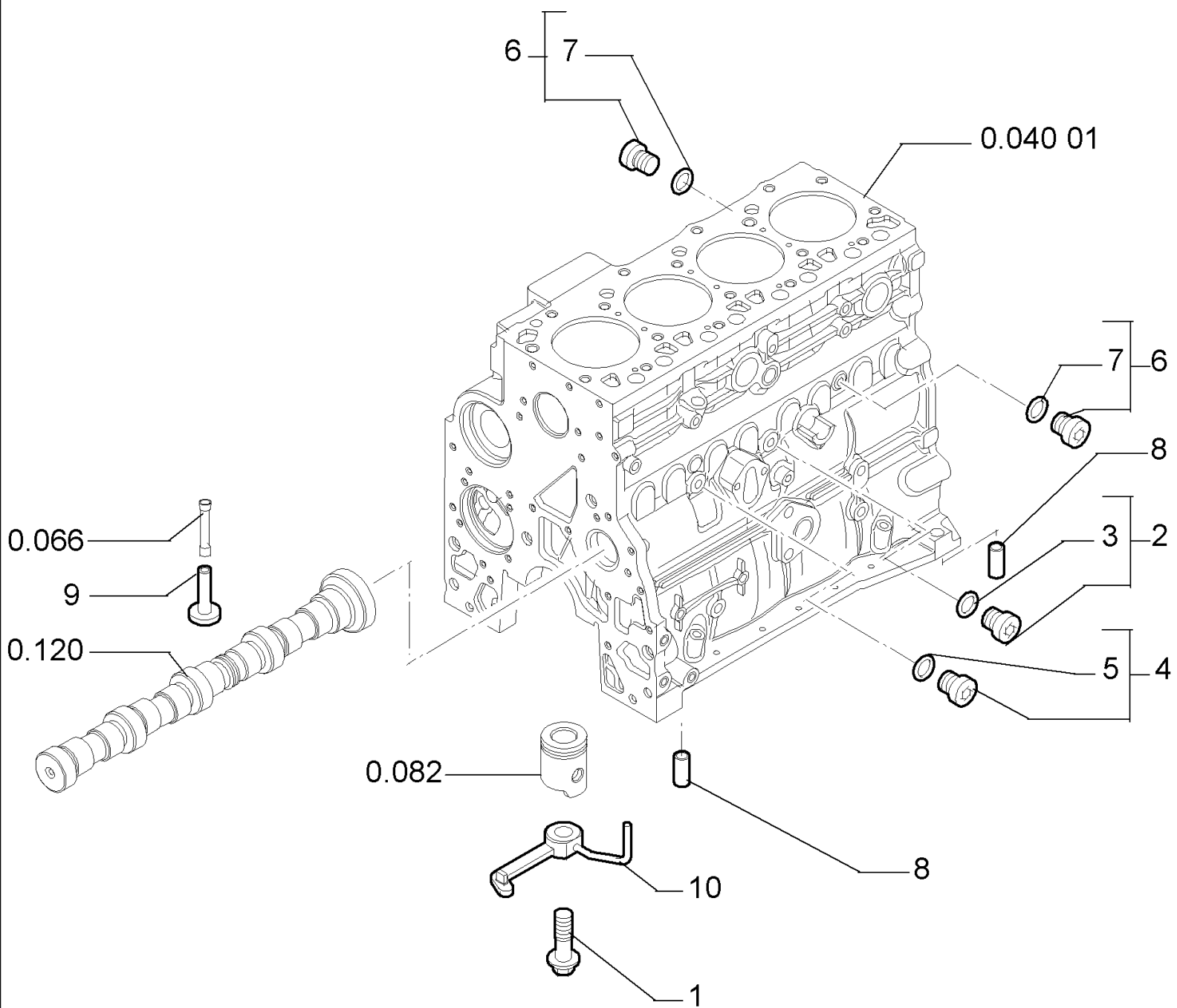
0.040(01) CYLINDER BLOCK



## 0.040(01) CYLINDER BLOCK

Ref	Part Number	Qty	Description
1	2830082	1	CYLINDER BLOCK, , Includes 2 To 7
2	4899026	10	DOWEL,
3	4895039	3	PLUG,
4	4895038	4	PLUG,
5	4895228	2	PLUG,
6	4891353	10	SCREW, 12X120
7	4895040	1	BUSHING,

0.040(02) CYLINDER BLOCK

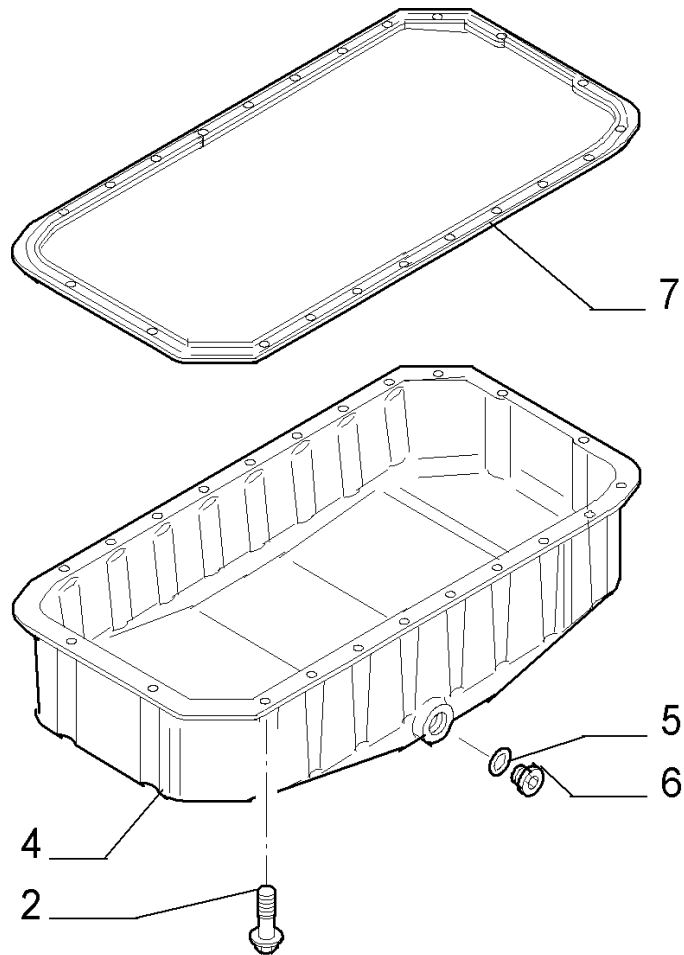
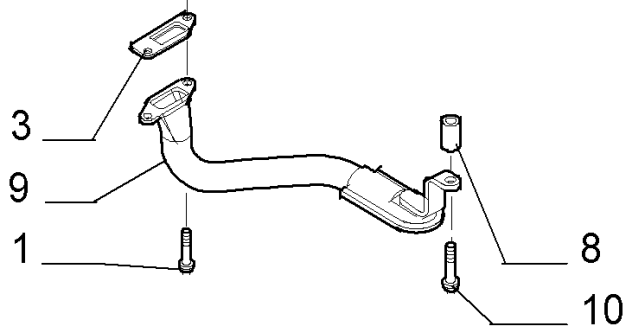
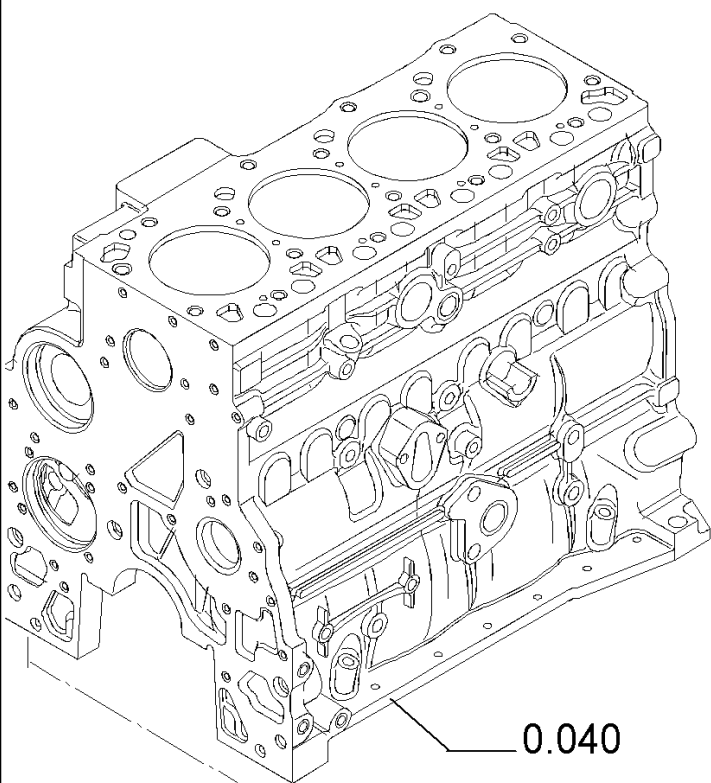




## 695SR CASE SUPER-R BACKHOE LOADER (1/04-)

## 0.040(02) CYLINDER BLOCK

Ref	Part Number	Qty	Description
1	4894218	4	SCREW,
2	4895605	1	PLUG, 14x1.5 , Includes 3
3	4899115	1	O-RING,
4	4899009	1	PLUG, 10x1.5 , Includes 5
5	4899072	1	O-RING,
6	4895392	2	PLUG, 18x1.5, Includes 7
7	4895393	1	O-RING,
8	4895049	2	DOWEL,
9	4895180	8	TAPPET,
10	504047260	4	NOZZLE, LUB. OIL JET,



## 695SR CASE SUPER-R BACKHOE LOADER (1/04-)

## 0.042-01(01) OIL PUMP, PAN

Ref	Part Number	Qty	Description
1	4899020	2	SCREW, 8x20
2	4899091	22	SCREW,
2	4895489	2	SCREW,
3	4898301	1	GASKET,
4	504051886	1	PAN, ENGINE OIL,
5	4895584	1	GASKET,
6	4894139	1	PLUG, 22x1.5
7	504069777	1	GASKET,
8	504062812	1	SPACER,
9	504051893	1	STRAINER ASSY.,
10	4895538	1	SCREW,

**BUY NOW**

**Then Instant Download  
the Complete Manual  
Thank you very much!**