

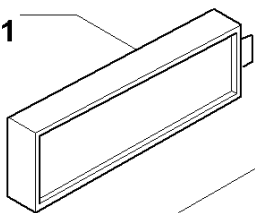


PARTS CATALOGUE

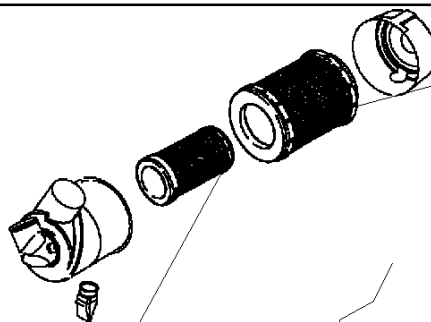
WHEEL LOADER
721D
EUROPE

0 - FILTERS(00) MAINTENANCE PARTS

(09-36C)
330014A1



(02-10A)
187472A1

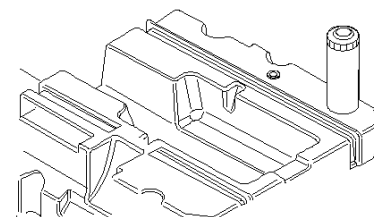


(02-10A)
381230A1

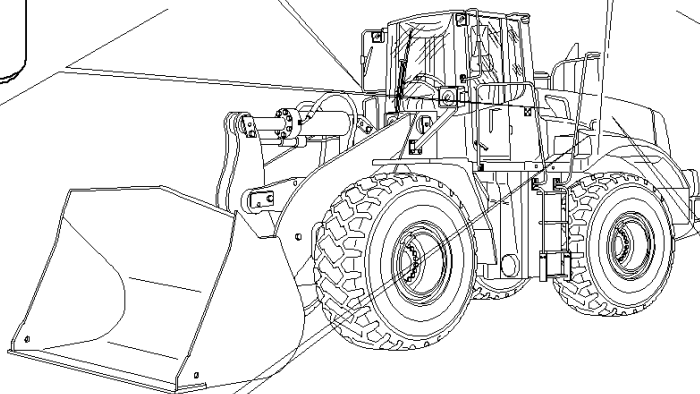
(03-04)
87400394



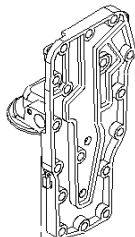
(08-03)
87403735
87403734



(08-43A)
87403735

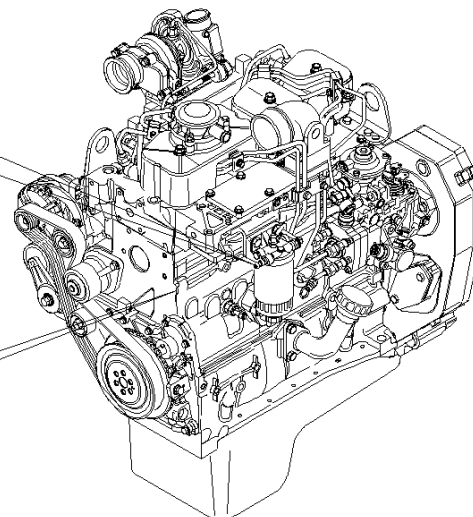
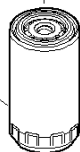


(02-17)
87803204

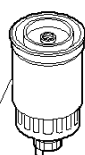


(08-43B)
87308928

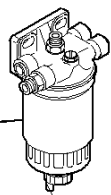
(06-21)
8603535



(03-13)
87803191



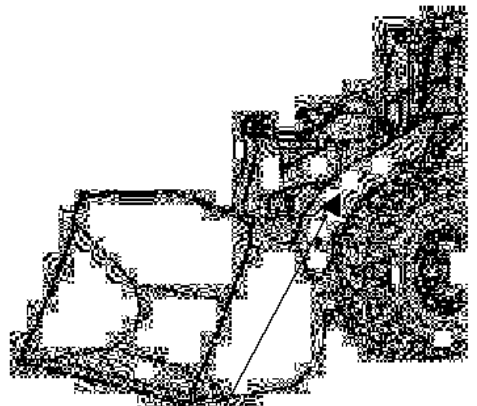

(03-13)



0 - FILTERS(00) MAINTENANCE PARTS

Ref	Part Number	Qty	Description

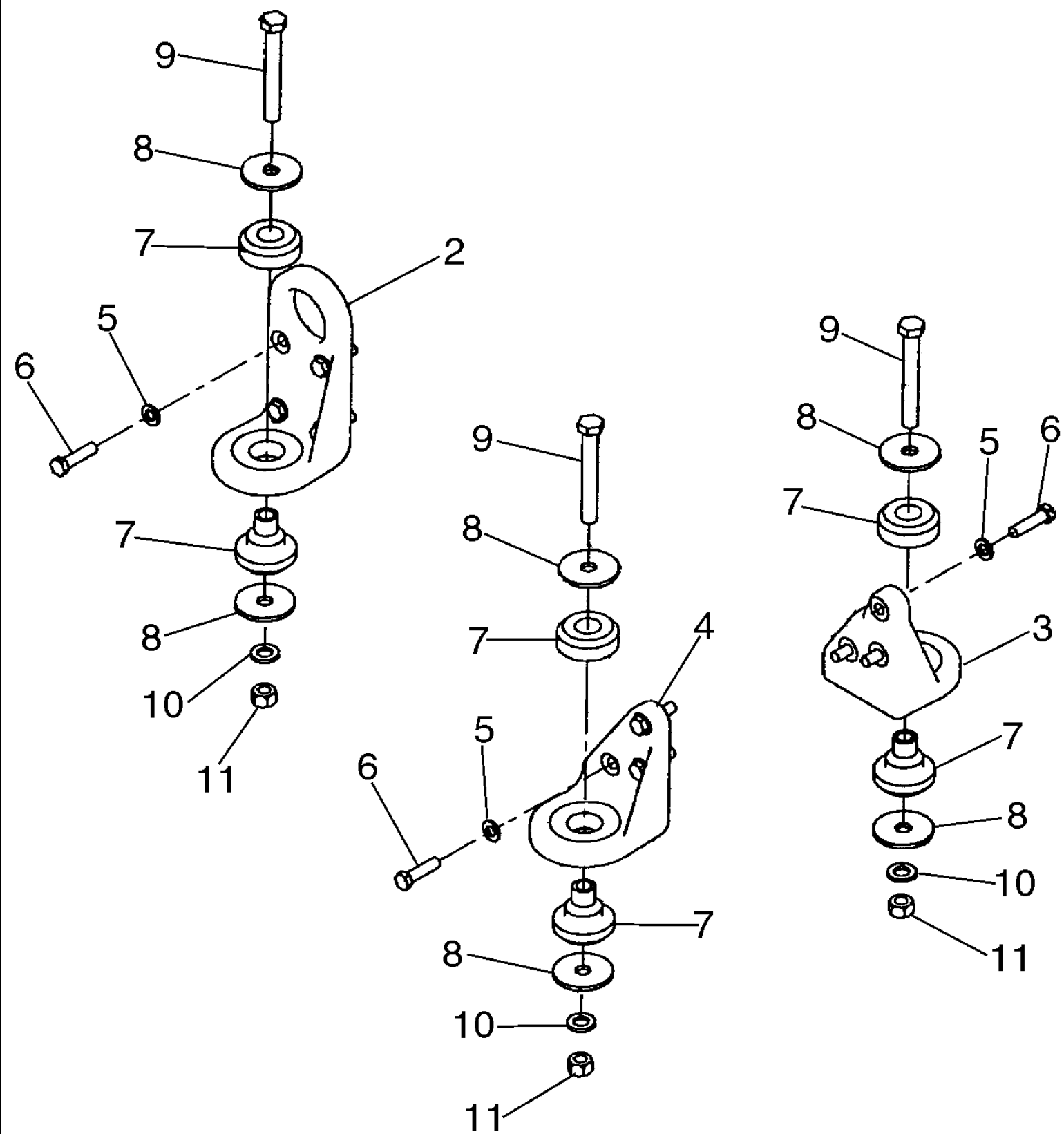
0 - VERSION(00) IDENTIFICATION AND VERSION LIST

MODELS MODELLI MODELES MODELLE MODELOS MODELLEN MODELLER	ENGINEERING CODE DENOMINAZIONE TECNICA DESIGNATION TECHNIQUE TECHNISCHE BEZEICHNUNG DESIGNACION TECNICA DENOMINAÇÃO TÉCNICA TECNISCHE BENAMING TEKNISCH BENÆVNELSE	ENGINE MODEL MODELLO DEL MOTORE MODELE DU MOTEUR MOTORBAUMUSTER MODELO DEL MOTOR MODELO DO MOTOR MODEL VAN MOTOR MOTOR-MODEL	NUMERICAL CODE CODICE NUMERICO CODE NUMERIQUE KENNNUMMER CODIGO NUMÉRICO CÓDIGO NUMÉRICO NUMMERCODE NUMMER-KODE
721D - EU 721D - XT	530100165 530100066	87308879	01 02
MODELS MODELLI MODELES MODELLE MODELOS MODELLEN MODELLER	MODEL SERIAL NUMBER - NUMERO DI MATRICOLA DEL MODELLO NUMERO DI SERIE DU MODELE - MODELL-SERIENNUMMER NUMERO DI SERIE DEL MODELO - NÚMERO DE MATRÍCULA DO MODELO SERIENNUMMER VAN MODEL - MATRIKEL-NUMMER PÅ MODEL		
	PRODUCT CODE - CODICE PRODOTTO CODE DE PRODUCTION - PRODUKT KODEX CODIGO DEL PRODUCTO - CÓDIGO DO PRODUTO PRODUCTCODE - PRODUKT-KODE	UNIT NO° - TELAIO N° NUMERO DE L'UNITE - EINHEITS-NR. NUM. DE LA UNIDAD - CHASSIS NÚMERO CHASSISNUMBER - NUMMER CHASSIS	
721D - EU 721D - XT	721D - EU 721D - XT	HHA721D1N5HE03001 HHA721D1N5HE06001	
RECORD YOUR SERIAL NUMBERS BELOW - REGISTRATE I VOSTRI NUMERI DI MATRICOLA QUI SOTTO ENREGISTREZ VOS NUMEROS DE SERIE CI-DESSOUS - UNTEN SERIENNUMMER VIERMERKEN ANOTE AQUI LOS NUMEROS DE SERIE - REGISTRAR OS NÚMEROS DE MATRÍCULA ABAIXO NOTEER HIERONDER DE SERIENNUMMERS - REGISTRER DERES MATRIKEL-NUMRE FOR NEDEN			
MACHINE SERIAL NUMBER - NUMERO DI MATRICOLA DELLA MACCHINA NUMERO DE SERIE DE LA MACHINE - SERIENNUMMER DER MASCHINE NUMERO DE SERIE DE LA MAQUINA - MATRÍCULA DA MÁQUINA SERIENNUMMER VAN DE MACHINE - MASKINENS MATRIKEL		ENGINE SERIAL NUMBER - MATRICOLA DEL MOTORE NUMERO DE SERIE DU MOTEUR - SERIENNUMMER DES MOTORS NUMERO DE SERIE DEL MOTOR - MATRÍCULA DO MOTOR SERIENNUMMER VAN DE MOTOR - MOTORENS MATRIKEL	
			
MACHINE SERIAL NUMBER LOCATION POSIZIONE DEL NUMERO DI MATRICOLA DELLA MACCHINA EMPLACEMENT DU NUMERO DE SERIE DE LA MACHINE ORT DER SERIENNUMMER DER MASCHINE UBICACION NUMERO DE SERIE DE LA MAQUINA POSICÃO DO NÚMERO DE MATRÍCULA DA MÁQUINA POSITIE VAN SERIENNUMMER VAN DE MACHINE POSITION PÅ MASKINENS MATRIKEL-NUMMER		ENGINE SERIAL NUMBER LOCATION POSIZIONE DEL NUMERO DI MATRICOLA DEL MOTORE EMPLACEMENT DU NUMERO DE SERIE DU MOTEUR ORT DER SERIENNUMMER DES MOTORS UBICACION DEL NUMERO DE SERIE DEL MOTOR POSICÃO DO NÚMERO DE MATRÍCULA DO MOTOR POSITIE VAN SERIENNUMMER VAN DE MOTOR POSITION PÅ MOTORENS MATRIKEL-NUMMER	

0 - VERSION(00) IDENTIFICATION AND VERSION LIST

Ref	Part Number	Qty	Description

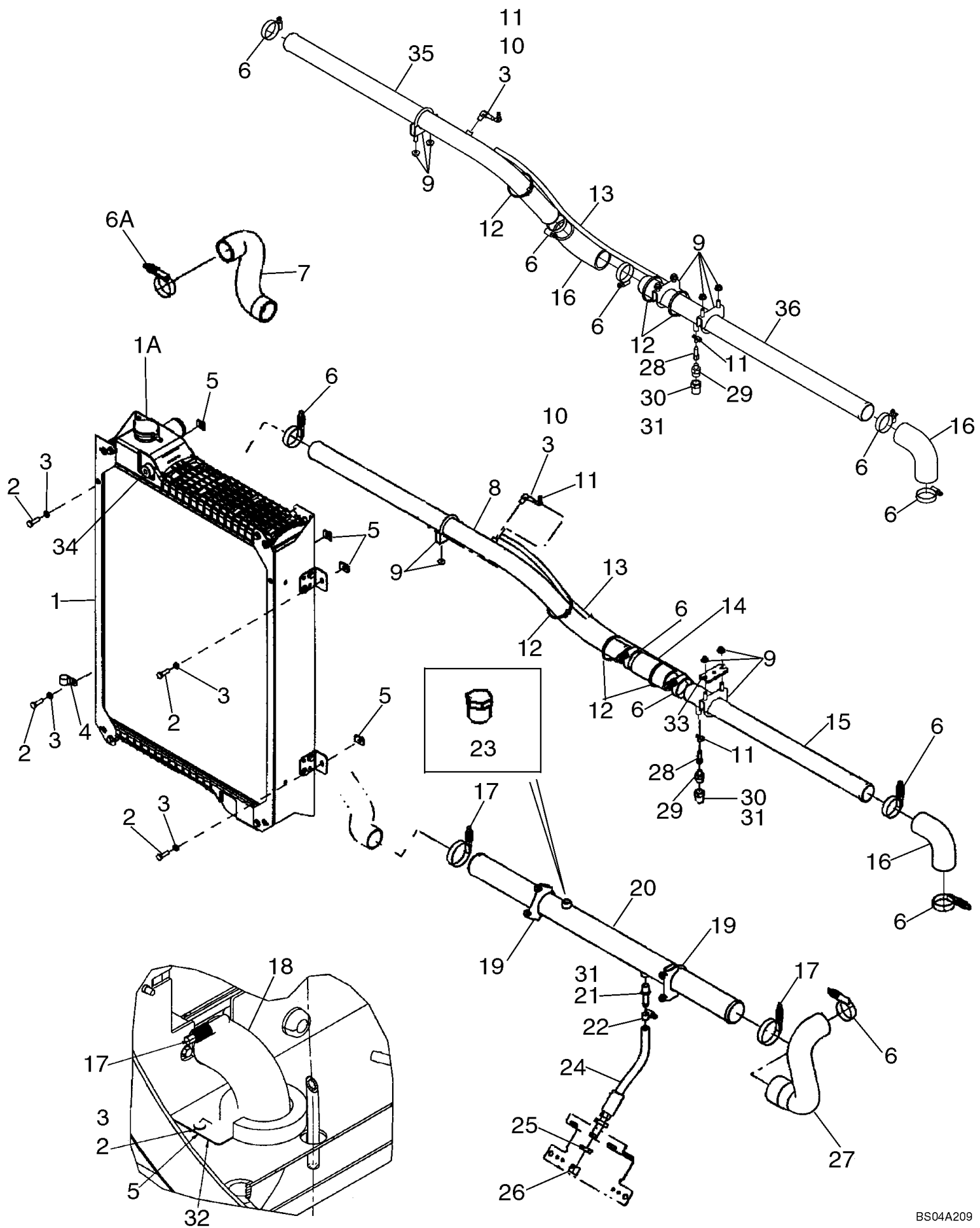
02-01 MOUNTING, ENGINE



02-01 MOUNTING, ENGINE

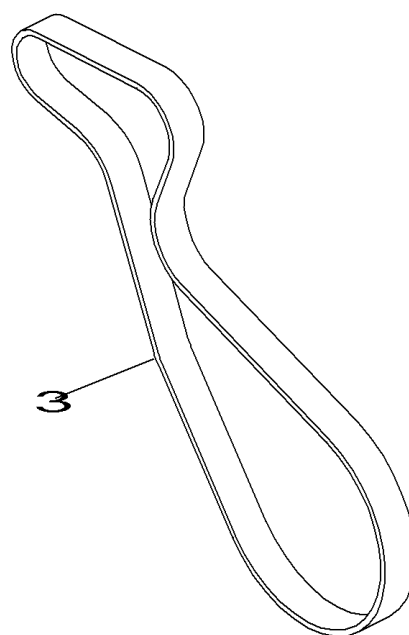
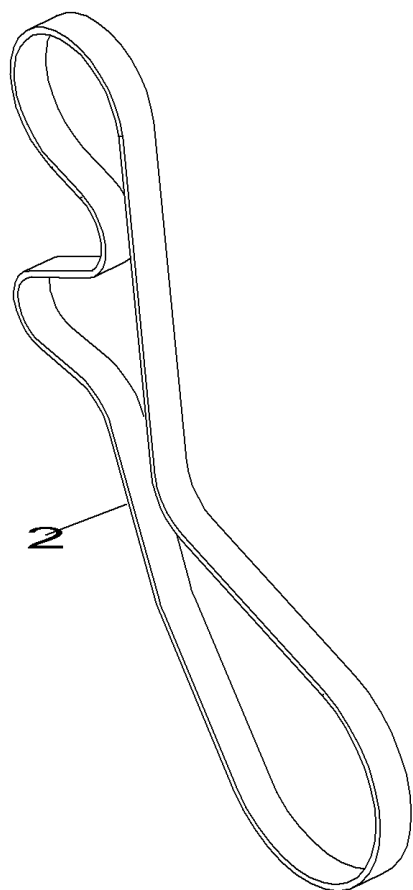
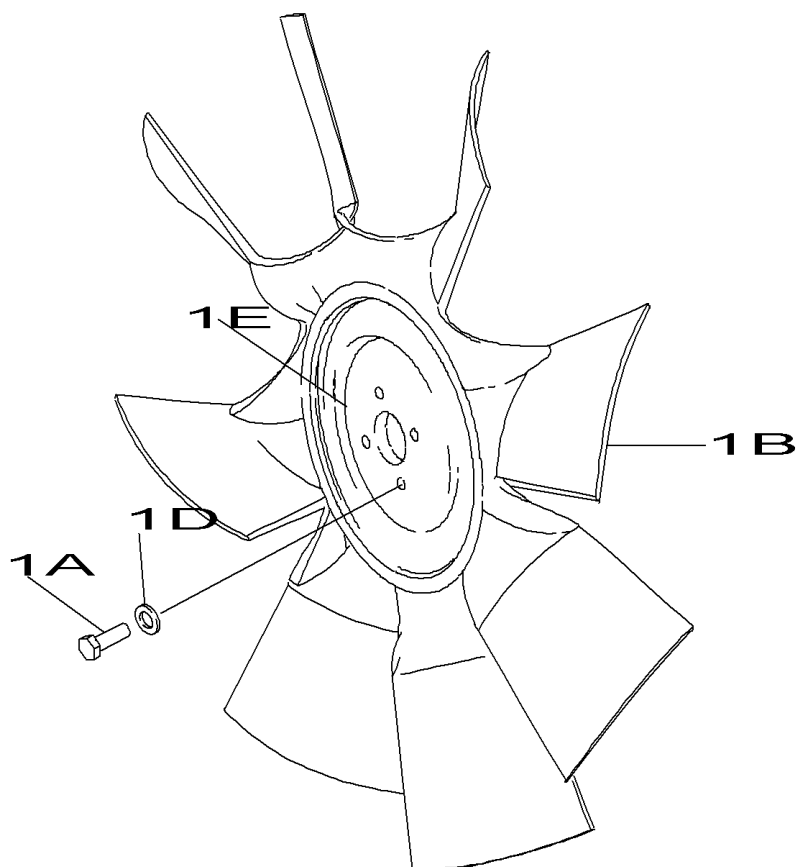
Ref	Part Number	Qty	Description
2	8602302	2	MOUNT, ENGINE, 17,5 x 30 x 4 mm; Front
3	8602303	1	MOUNT, ENGINE, Right Rear
4	8602304	1	MOUNT, ENGINE, M16 x 110; 10.9; Left Rear
5	896-11012	14	WASHER, M13.5 x 24.5 x 3, HT, 13,5 x 24 x 3 mm
6	627-12045	14	BOLT, Hex, M12 x 45, 10.9, Full Thd, M12 x 45; 10.9
7	361811A1	4	ISOLATOR, Rear
8	496-81025	8	WASHER, 21/32" x 2 1/2" x .188", HDN, ,656 x 2,5 x ,188
9	827-16120	4	BOLT, Hex, M16 x 120, 10.9, M16 x 120; 10.9
10	896-11016	4	WASHER, M17.5 x 30 x 4, HT, 17,5 x 16,7 x 4,8 mm
11	829-1416	4	NUT, M16, CI 10, M16; No Longer Used For This Application
11	832-10416	4	NUT, LOCK, M16 x 2, CI 8, M16

02-02 RADIATOR - MOUNTING



02-02 RADIATOR - MOUNTING

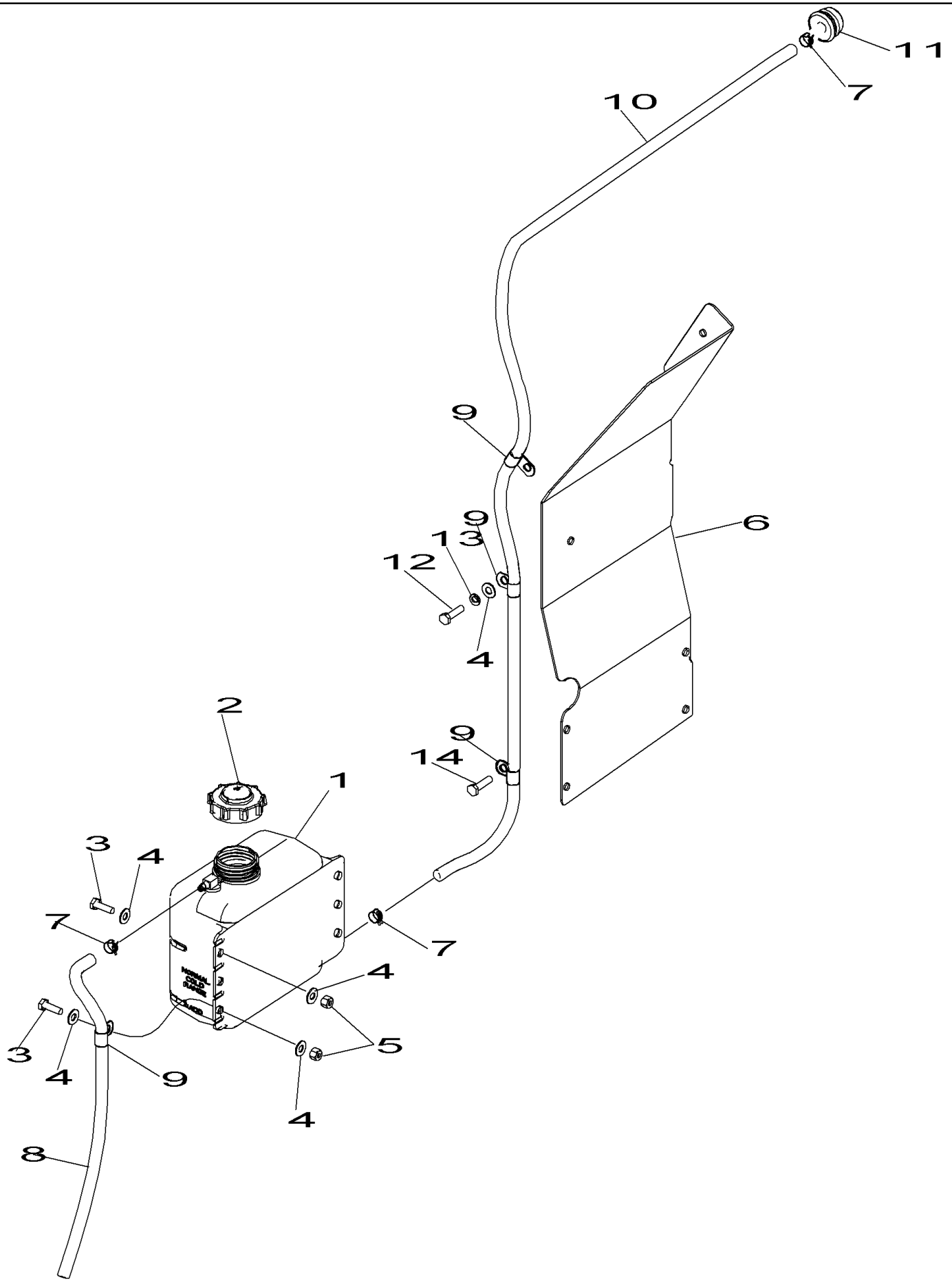
Ref	Part Number	Qty	Description
1	8602421	1	RADIATOR,
1A	A170241	1	CAP, RADIATOR,
3	892-11008	X	WASHER, LOCK, M8, M8
4	515-22190	1	CLAMP, 3/4", Insul, 5/16" Bolt,
5	833-40408	5	NUT, M8, U, M8
6	214-1436	5	CLAMP, #36, 1.81/2.75 Type F Worm,
6A	254026A1	1	CLAMP,
7	8500083	1	HOSE, 165 mm (6 1/2 in.); Top
8	8602655	1	TUBE, Top; If Used
9	382189A1	3	CLAMP,
10	217-292	1	ELBOW, 90e, 1/4" Hose x 1/8" NPTF, Barbed, 90 deg
11	214-1704	2	CLAMP, #4, 0.25/0.62 Type M Worm,
12	L18331	3	STRAP,
13	320374A1	1	HOSE, 925 mm (36 7/16 in.); Coolant Breather
14	8501025	1	HOSE, 110 mm (4 3/8 in.); If Used
15	8602661	1	TUBE, Top
16	381232A1	2	HOSE, 86 mm (3 3/8 in.); Elbow
17	L115548	3	CLAMP,
18	8500907	1	HOSE, 300 mm (11 7/8 in.); Bottom
19	393632A1	2	CLAMP,
20	8500079	1	TUBE, Bottom; Coolant
21	217-152	1	FITTING, 1/2" Hose X 3/8" NPTF Beaded,
22	214-1410	1	CLAMP, #10, 0.56/1.06 Type F Worm,
23	217-407	1	PLUG, Hex Hd, 3/8"-18, Used On Models Without Heater
24	8500085	1	HOSE, 318 mm (12 1/2 in.); Remote Coolant Drain
25	218-1255	1	NUT, LOCK, Blkh, 3/4"-16, BHD Lock; 3/4-16; 1/2 Tube
26	218-755	1	CAP, 37e, 3/4"-16, 37 deg Flare; 1/2 Tube
27	8500084	1	HOSE, 235 mm (9 1/4 in.); Bottom
28	217-191	1	FITTING, 1/4" Hose x 1/8" NPTF, Fem, Barbed,
29	J911901	1	VALVE, CHECK,
30	217-1035	1	FITTING, 1/2"-14 Male NPTF x 3/8"-18 Female NPTF, Bushing 1/2 NPTF Male x 3/8 NPTF Female
31	345-87	X	LOCTITE, Sealant 592; Used With Items 21, 30
32	8500820	1	PLATE, Radiator Drain Back
33	382188A2	1	PLATE, Spacer; If Used
34	419792A2	1	SENSOR, Coolant Level
35	87446948	1	TUBE, Top
36	87446950	1	TUBE, Top
2	627-8025	5	BOLT, Hex, M8 x 25, 10.9, M8 x 25; 10.9



02-03 FAN - BELT

Ref	Part Number	Qty	Description
1	8500471	1	FAN, Incl. 1A - 1E
1A	614-10025	4	BOLT, Hex, M10 x 25, 8.8, Full Thd, M10 x 25; 8,8
1B	8602420	1	FAN, 32 in. Blade
1C	8602953	1	LABEL, Engine Side"; Not Illustrated
1D	8602955	4	WASHER,
1E	8604700	1	HUB,
2	8602679	1	BELT, With Air Conditioning
3	8602680	1	BELT, Without Air Conditioning

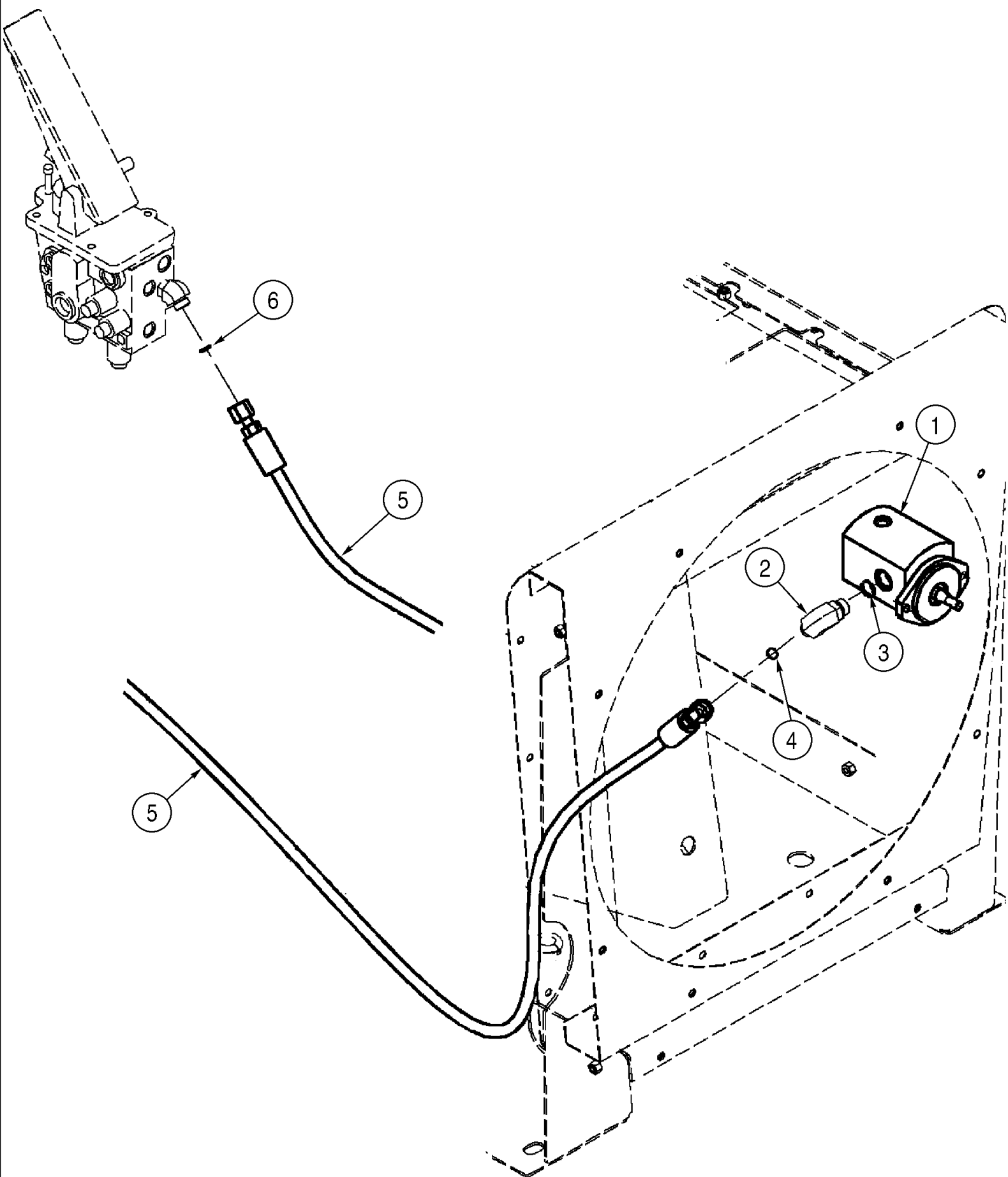
02-04 COOLANT RECOVERY SYSTEM



02-04 COOLANT RECOVERY SYSTEM

Ref	Part Number	Qty	Description
1	A184395	1	RESERVOIR,
2	1547924C1	1	CAP,
5	832-10408	4	NUT, M8 x 1.25, CI 8, M8
6	8602470	1	PLATE, Fan; Left
6A	8602667	1	PLATE, Fan; Right; Not Illustrated
7	A171099	3	CLAMP,
8	396120A1	1	HOSE, 495 MM (19-1/2 IN); Cut From 31-2855; Reservoir, Drain
9	515-23143	4	CLAMP, 9/16", Insul, 3/8" Bolt, 9/16 ID
10	8500318	1	HOSE, 2260 mm (89 in); Cut From 31-2855; Coolant Recovery
11	198824C1	1	GROMMET, 1/2 ID
13	892-11008	9	WASHER, LOCK, M8, M8; Lock
14	627-8035	1	BOLT, Hex, M8 x 35, 10.9, M8 x 35; Used In Bottom Hole, RH Only.
13	892-11008	4	WASHER, LOCK, M8, M8; Lock
12	627-8030	9	BOLT, Hex, M8 x 30, 10.9, M8 x 30; 10.9
3	627-8025	4	BOLT, Hex, M8 x 25, 10.9, M8 x 25; 10.9
4	895-15008	17	WASHER, M8 x 20 x 1.6, 9 x 20 x 1,6 mm

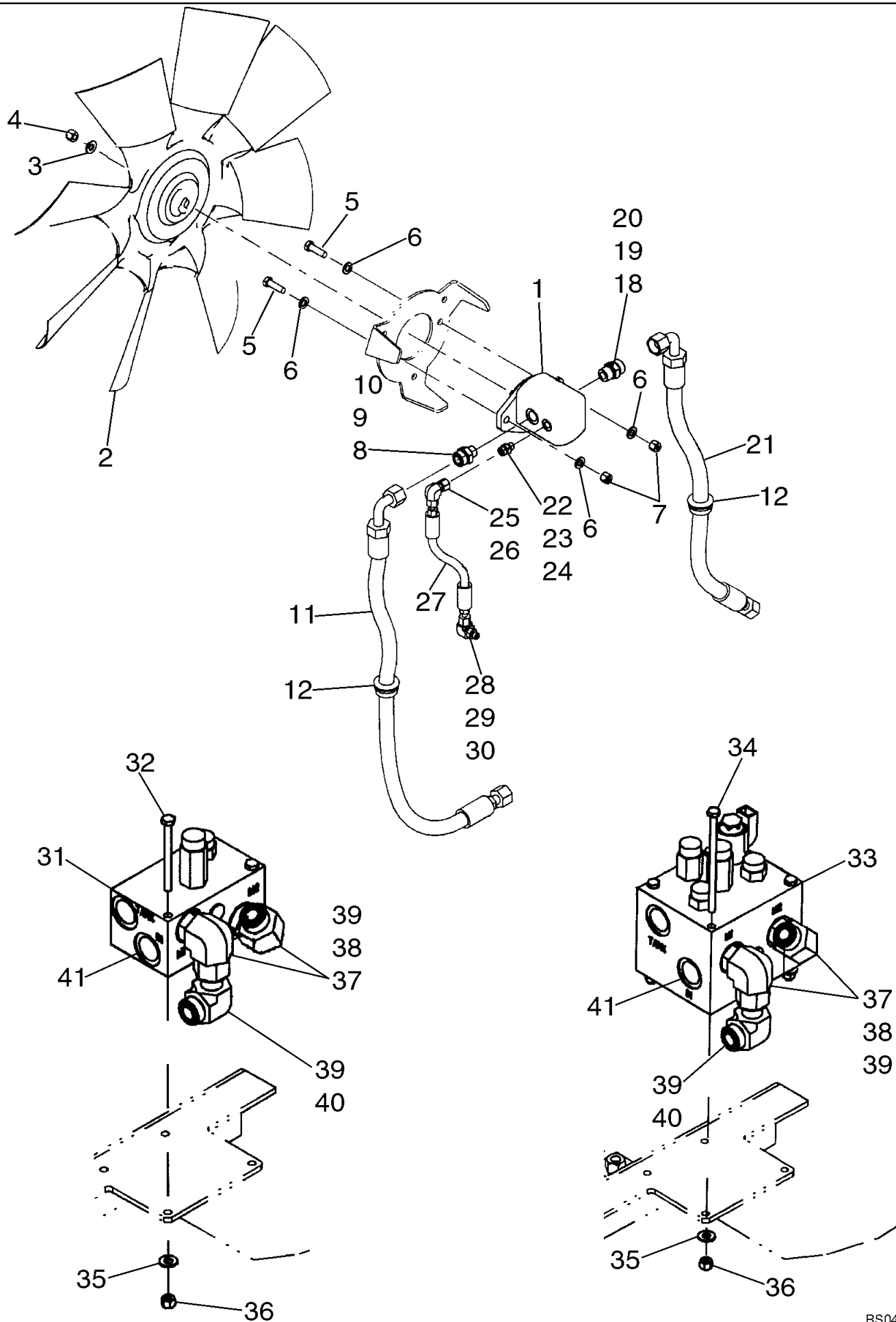
02-05 COOLING SYSTEM - MOTOR, DRIVE



02-05 COOLING SYSTEM - MOTOR, DRIVE

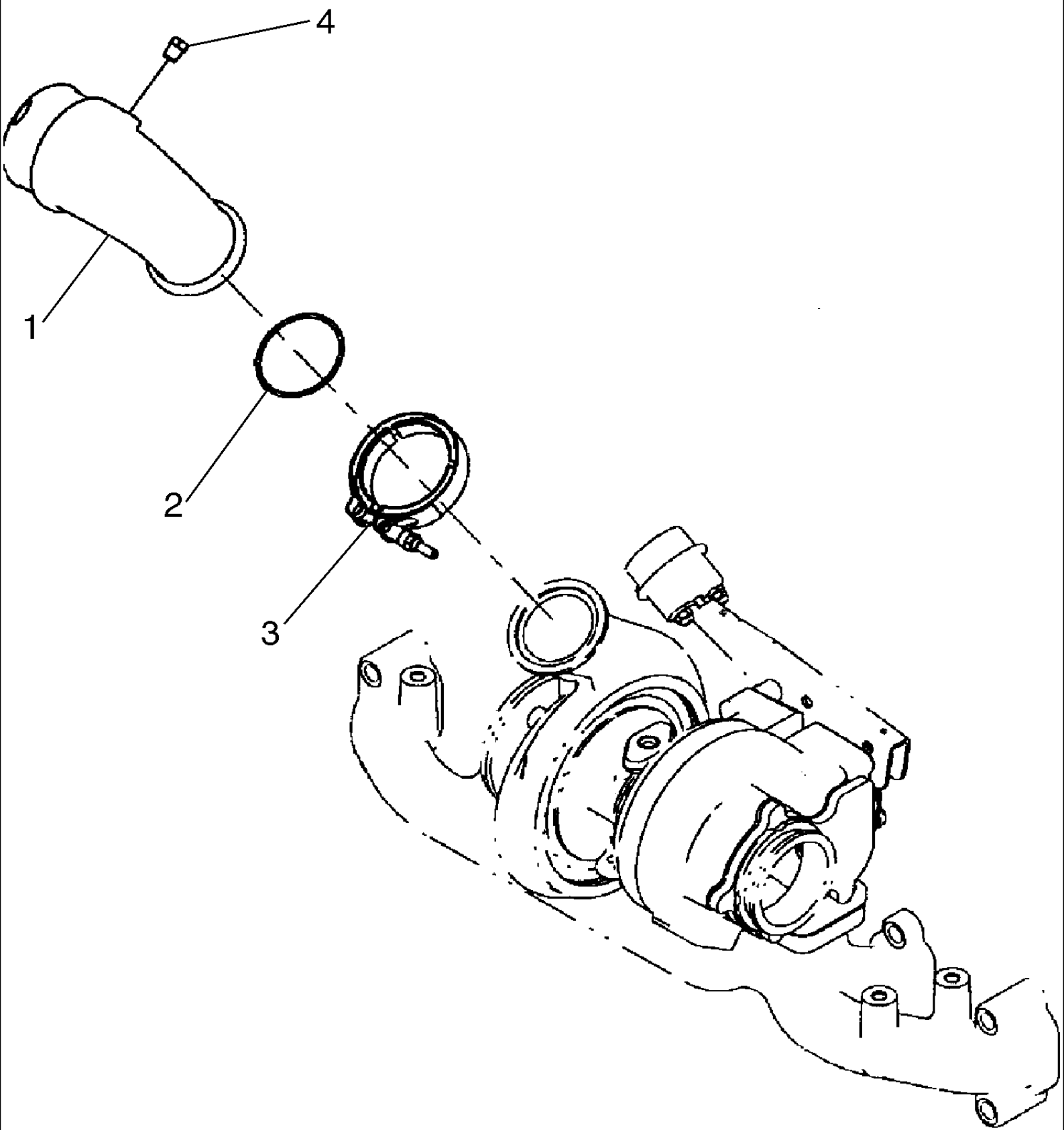
Ref	Part Number	Qty	Description
			STANDARD FAN DRIVE
1	400336A1	1	MOTOR, HYDRAULIC,
2	700-326	1	ELBOW, 90e, 13/16"-18 ORFS x M22 x 1.5 ORB, 13/16 fc sl x 22 orb; Incl. 3, 4
3	238-6014	1	O-RING, -014, 90 Duro, .489" ID x .070" Thk, Face Seal
4	637-63153	1	O-RING, CI 6, 15.3MM ID x 2.2 Thk, 15,3 ID x 2,2; Boss Seal
5	367870A1	1	HOSE ASSY., 2327 mm; Brake To Fan Drive
6	238-6014	1	O-RING, -014, 90 Duro, .489" ID x .070" Thk, Face Seal

02-06 COOLING SYSTEM - MOTOR, DRIVE



02-06 COOLING SYSTEM - MOTOR, DRIVE

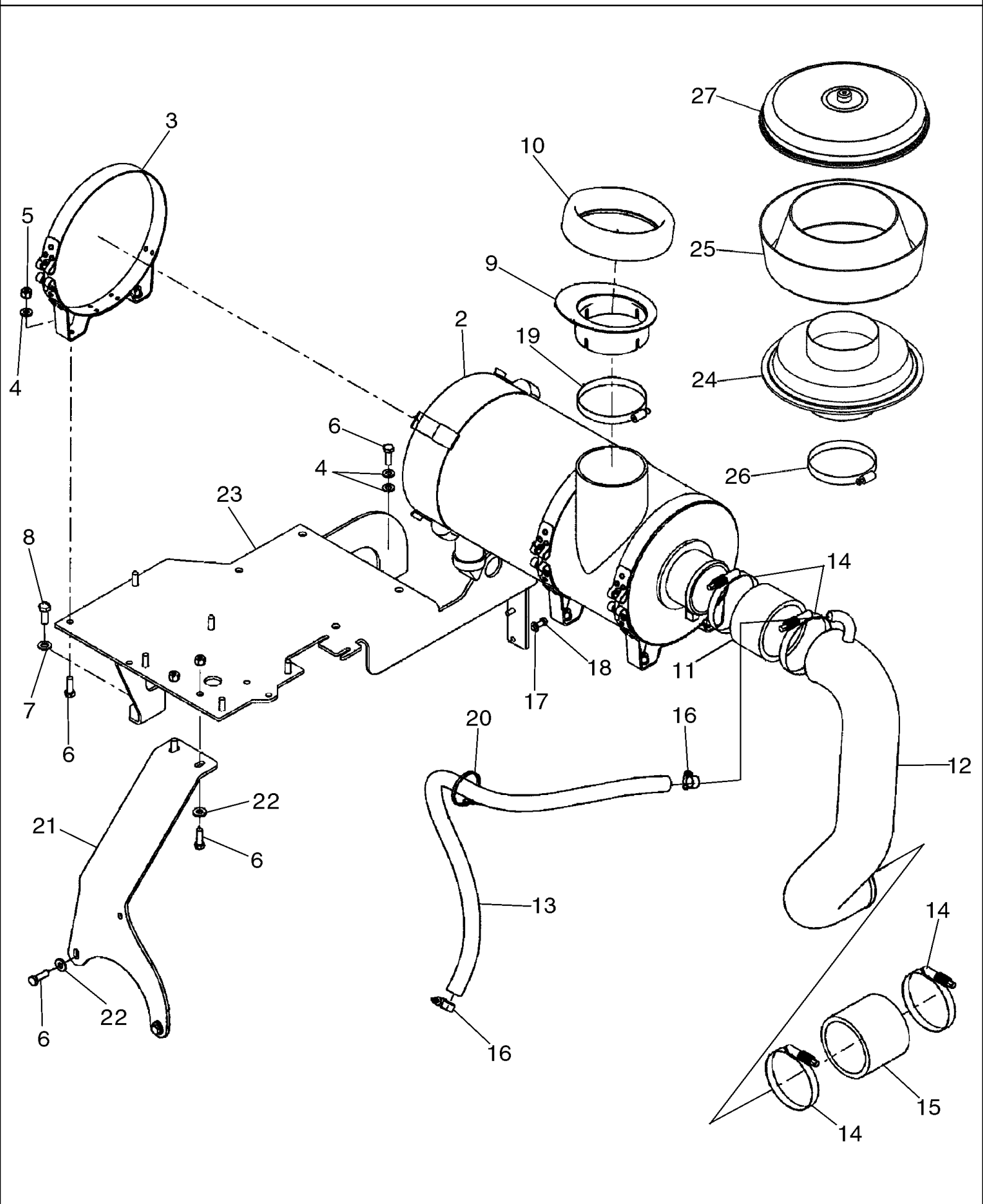
Ref	Part Number	Qty	Description
	REF		INSTRUCTION, REVERSIBLE FAN DRIVE
1	8500105	1	MOTOR, HYDRAULIC, Reversible Fan; Incl. 1A
1A	86991683	1	KIT, Seal; Not Illustrated
2	8500471	1	FAN,
3	496-21053	1	WASHER, 17/32" x 1 1/6" x .134", 13,5 x 27 x 3,4 mm
4	232-2448	1	NUT, 1/2"-20, GC,
5	627-12040	2	BOLT, Hex, M12 x 40, 10.9, Full Thd, M12 x 40; 10.9
6	895-11012	4	WASHER, M12 x 24 x 2.5, 13,5 x 24 x 3 mm
7	832-10412	2	NUT, LOCK, M12 x 1.75, CI 8, M12
8	700-107	1	CONNECTOR, HYD., 1 3/16"-12 ORFS x M22 x 1.5 ORB, Incl. 9, 10
9	238-6018	1	O-RING, -018, 90 Duro, .739" ID x .070" Thk, Face Seal
10	637-63193	1	O-RING, CI 6, 19.3MM ID x 2.2 Thk, 19,3 ID x 2,2; Boss Seal
11	8605293	1	HOSE, FLEXIBLE, 1140 mm; Fan Forward
12	8500186	2	GROMMET,
18	700-104	1	CONNECTOR, HYD., 1 3/16"-12 ORFS x M27 x 2 ORB, Incl. 19, 20
19	238-6018	1	O-RING, -018, 90 Duro, .739" ID x .070" Thk, Face Seal
20	637-64236	1	O-RING, CI 6, 23.6MM ID x 2.9 Thk, 23,6 ID x 2,9; Boss Seal
21	8605292	1	HOSE, FLEXIBLE, 880 mm; Fan Reverse
22	700-101	1	CONNECTOR, HYD., 1 1/16"-16 ORFS x M14 x 1.5 ORB, Incl. 23, 24
23	238-6012	1	O-RING, -012, 90 Duro, .364" ID x .070" Thk, Face Seal
24	637-63113	1	O-RING, CI 6, 11.3MM ID x 2.2 Thk, 11,3 ID x 2,2; Boss Seal
25	701-319	1	ELBOW, 90e, 1 1/16"-16 ORFS x 1 1/16"-16 Fem Sw, Incl. 26
26	238-6012	1	O-RING, -012, 90 Duro, .364" ID x .070" Thk, Face Seal
27	8500183	1	HOSE, FLEXIBLE, 309 mm; Drain
28	700-304	1	ELBOW, 90e, 1 1/16"-18 ORFS x M14 x 1.5 ORB, Incl. 29, 30
29	238-6012	1	O-RING, -012, 90 Duro, .364" ID x .070" Thk, Face Seal
30	637-63113	1	O-RING, CI 6, 11.3MM ID x 2.2 Thk, 11,3 ID x 2,2; Boss Seal
	REF		INSTRUCTION, FAN RELIEF VALVE - IF USED
31	8500562	1	VALVE, HYDRAULIC, Fan Relief; If Used; See Figure 02-10
32	827-8090	2	BOLT, Hex, M8 x 90, 10.9, M8 x 90; 10,9
	REF		INSTRUCTION, FAN REVERSER VALVE - IF USED
33	8500563	1	VALVE, HYDRAULIC, Fan Reverser; If Used; See Figure 02-10
34	814-8140	4	BOLT, Hex, M8 x 140, 8.8, M8 x 140; 8,8
35	895-15008	6	WASHER, M8 x 20 x 1.6, 9 x 20 x 1,6 mm



02-07 TURBO OUTLET

Ref	Part Number	Qty	Description
1	4895141	1	ELBOW, Turbo Outlet Air Transfer
2	4899087	1	O-RING, Turbo Outlet
3	2852407	1	COLLAR CLAMP, Turbo Outlet
4	4895098	1	PLUG, 1/8-27 NPTF

02-08 AIR CLEANER - AIR INTAKE PARTS

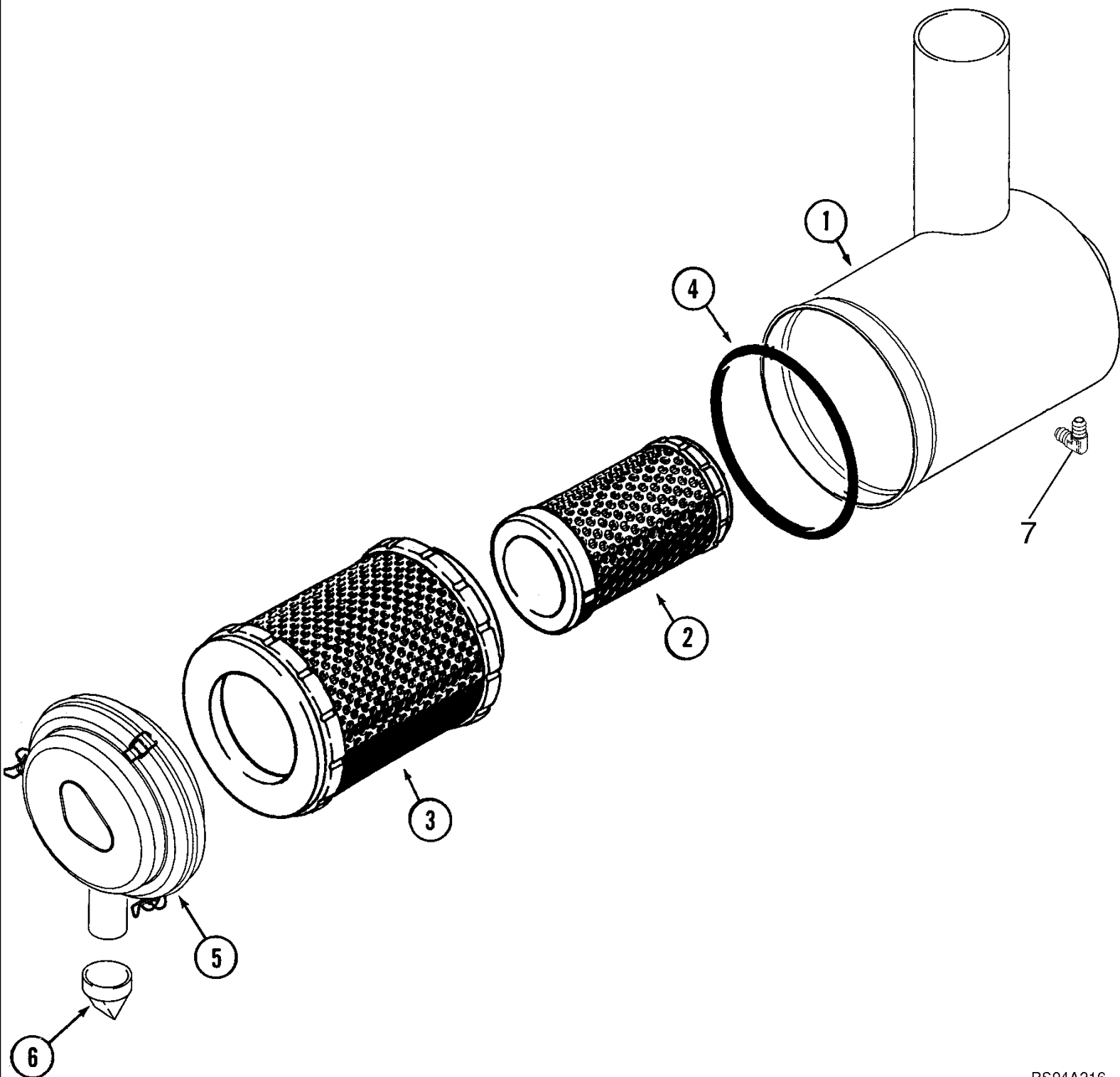


721D CASE WHEEL LOADER - EUROPE (N6HE03001- / XT N6HE06001-) (1/06-)

02-08 AIR CLEANER - AIR INTAKE PARTS

Ref	Part Number	Qty	Description
2	8500068	1	AIR CLEANER, See Figure 02-09
3	8605331	3	CLAMP,
4	896-11010	10	WASHER, M10 x 21.5 x 2.5, HT, 11 x 21 x 2,5 mm
5	832-10410	8	NUT, LOCK, M10 x 1.5, Cl 8,
6	627-10030	10	BOLT, Hex, M10 x 30, 10.9, Full Thd,
7	896-11012	1	WASHER, M13.5 x 24.5 x 3, HT, 13,5 x 24 x 3 mm
8	627-12030	1	BOLT, Hex, M12 x 30, 10.9, M12 x 30; 10.9
9	8500383	1	PIPE ASSY., Intake
10	8500403	1	SEAL,
11	8501205	1	HOSE, 73 mm (2 7/8 in); Air Cleaner
12	8602473	1	TUBE, Air Cleaner Intake
13	8501206	1	HOSE, 1050 mm (41 3/8 in); Crankcase Ventilation
14	L127771	4	CLAMP,
15	8602478	1	HOSE, 100 mm (4 in); Air Cleaner
16	214-1416	2	CLAMP, #16, 0.81/1.50 Type F Worm,
17	896-11008	2	WASHER, M8 x 17.5 x 2, HT, 9 x 17 x 2 mm
18	627-8025	2	BOLT, Hex, M8 x 25, 10.9, M8 x 25; 10.9
19	214-3188	1	CLAMP, 4.75/6.625 HD Worm,
20	L11541	1	STRAP,
21	87437892	1	BRACE, Air Cleaner; Replaces 8605495, 8605863, 87433055
22	896-15010		WASHER, M10 x 24.5 x 3, HT, 11 x 24 x 3 mm
23	87446946	1	BRACKET, Muffler, Air Cleaner; If Used
	258541A1	1	PRECLEANER, Air Inlet; Incl. 24-27
24	NSS	1	NOT SERVICED SEPARATELY, Sleeve Assy.
25	L30671	1	HOUSING,
26	214-1480	1	CLAMP, #80, 4.62/5.50 Type F Worm,
27	L30669	1	COVER,

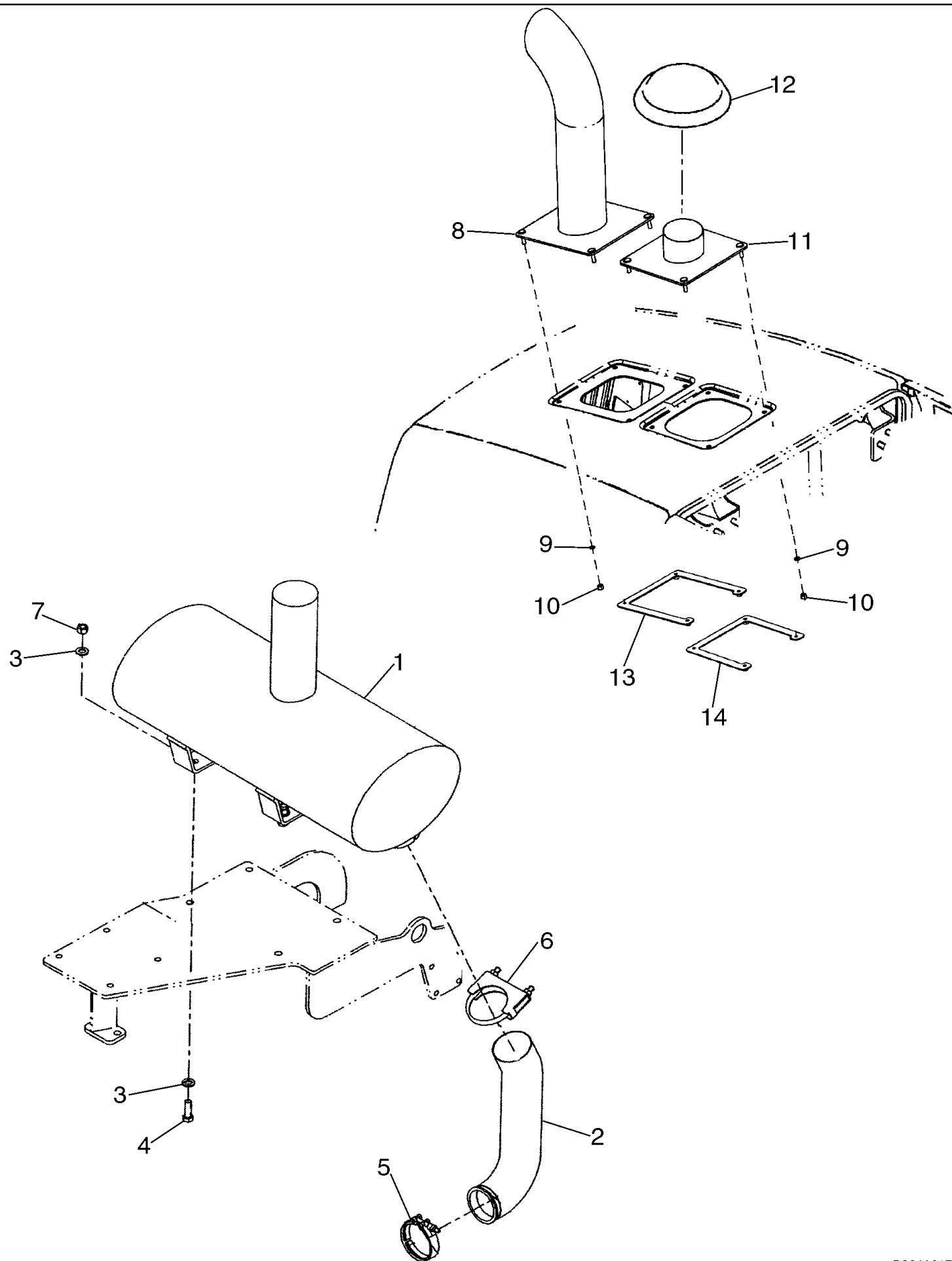
02-09 AIR CLEANER ASSY



02-09 AIR CLEANER ASSY

Ref	Part Number	Qty	Description
	8500068	1	AIR CLEANER, Incl. 1 - 6
1	NSS		NOT SERVICED SEPARATELY, Body
2	8605140	1	FILTER, AIR, Secondary; Replaces 8501333
3	8605139	1	FILTER, AIR, Primary; Replaces 8501334
4	8605078	1	O-RING,
5	8605079	1	COVER,
6	8604231	1	VALVE,
7	217-1227	1	ELBOW, 90c, 1/8"-27 Male, 1/8 - 27 90 deg Pipe

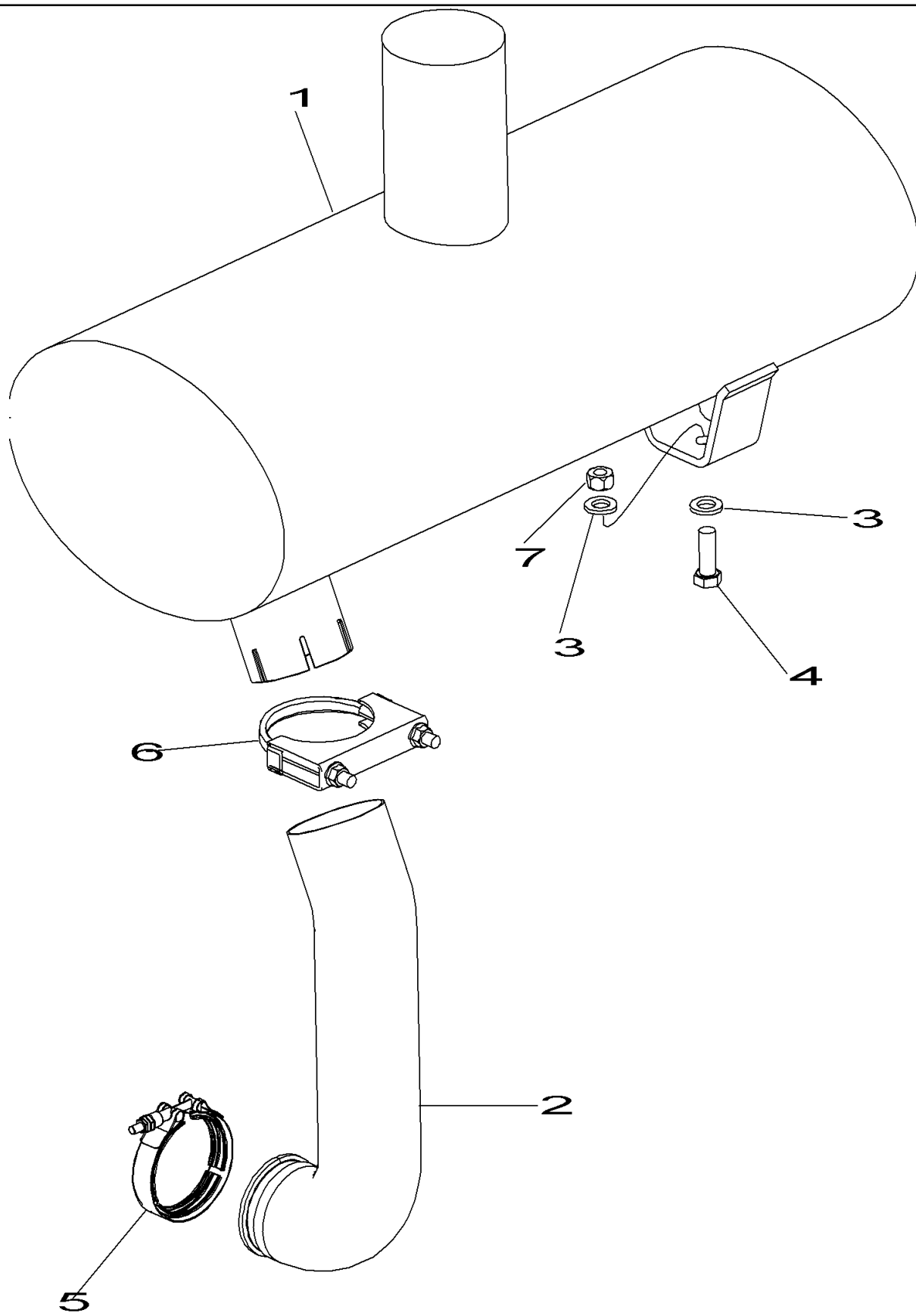
02-10 MUFFLER - EXHAUST AND INTAKE



02-10 MUFFLER - EXHAUST AND INTAKE

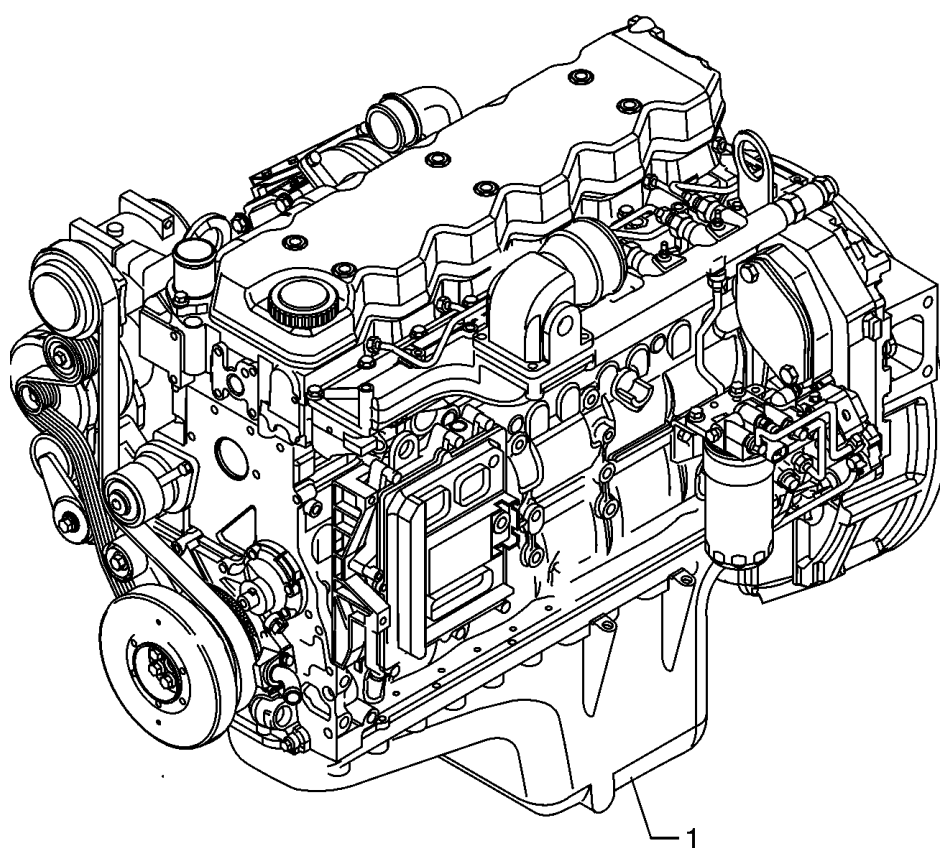
Ref	Part Number	Qty	Description
1	8500155	1	MUFFLER, Standard; Replaced By 87309816
1	87309816	1	TUBE, Standard; Replaces 8500155
2	8500087	1	TUBE,
3	896-11012	8	WASHER, M13.5 x 24.5 x 3, HT, 13,5 x 24 x 3 mm
4	627-12035	4	BOLT, Hex, M12 x 35, 10.9, M12 x 35; 10.9
5	J903652	1	CLAMP,
6	299456A1	1	COLLAR CLAMP,
7	829-1412	4	NUT, M12, CI 10, M12
8	8500375	1	PIPE, EXHAUST SYSTEM,
9	895-18010	8	WASHER, M10 x 18 x 1.6,
10	832-10410	8	NUT, LOCK, M10 x 1.5, CI 8,
11	8500379	1	PIPE ASSY., Intake
12	8501036	1	CAP, Rain
13	408196A1	1	PLATE, Exhaust Backing
14	8500382	1	PLATE, Intake Backing

02-11 MUFFLER - EXHAUST SYSTEM



02-11 MUFFLER - EXHAUST SYSTEM

Ref	Part Number	Qty	Description
1	8602052	1	MUFFLER, Spark Arresting
2	8500087	1	TUBE, Exhuast
3	896-11012	8	WASHER, M13.5 x 24.5 x 3, HT, 13,5 x 24 x 3 mm
4	627-12035	4	BOLT, Hex, M12 x 35, 10.9, M12 x 35; 10.9
5	J903652	1	CLAMP,
6	299456A1	1	COLLAR CLAMP,
7	829-1412	4	NUT, M12, CI 10, M12



02-12 ENGINE

Ref	Part Number	Qty	Description
1	87433690	1 - ASSY	

BUY NOW

**Then Instant Download
the Complete Manual
Thank you very much!**