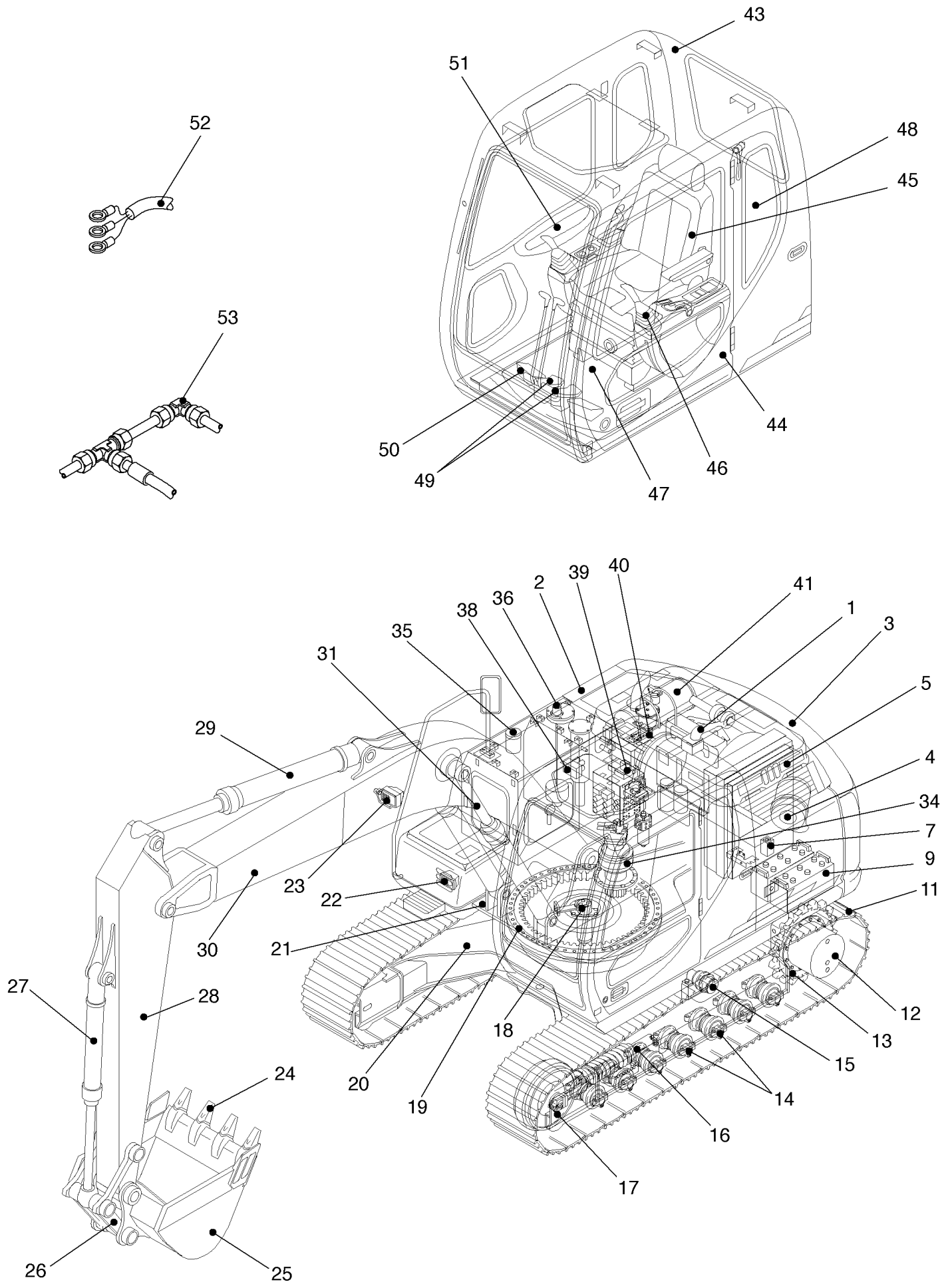




PARTS CATALOGUE

CX130
CASE CRAWLER EXCAVATOR



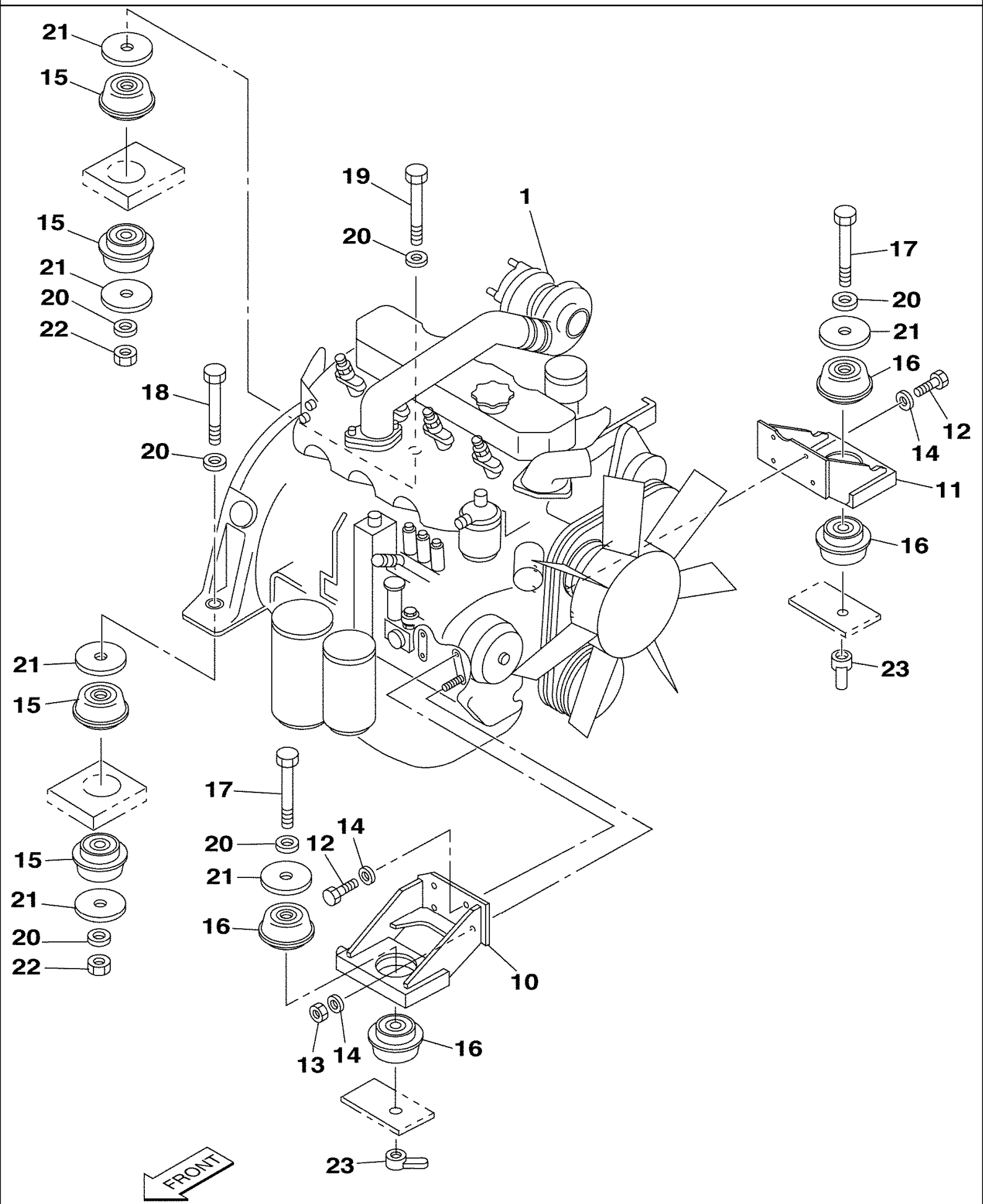
CX130 CASE CRAWLER EXCAVATOR (EUROPE) (1/03-)

01-003-00(01) COMPONENT INDEX

Ref	Part Number	Qty	Description
1		1	ENGINE MOUNTING ENGINE - See Page : 02-003-00
2		1	COWLING - See Page : 09-011-00 to 09-019-00
3		1	COUNTERWEIGHT - See Page : 09-009-00
4		1	AIR FILTRATION - See Page : 02-005-00
5		1	RADIATOR - See Page : 02-011-00, Water, Oil
7		1	TANK, EXPANSION - See Page : 02-009-00
9		1	BATTERIES - See Page : 04-023-00
11		1	TRACK - See Page : 05-007-00 to 05-009B-00
12		1	TRAVEL MOTOR AND REDUCTION GEAR - See Page : 06-003-00
13		1	SPROCKET - See Page : 06-003-00
14		1	ROLLER LOWER - See Page : 05-017-00
15		1	ROLLER UPPER - See Page : 05-015-00
16		1	TENSION DAMPER - See Page : 05-013-00
17		1	GUIDE PULLEY - See Page : 05-011-00
18		1	SWING JOINT - See Page : 07-011-00
19		1	SWING COMPONENTS - See Page : 09-003-00
20		1	UNDERCARRIAGE - See Page : 05-003-00
21		1	UPPERSTRUCTURE CHASSIS - See Page : 09-005-00
22		1	LAMP, HEAD - See Page : 04-019-00, Upperstructure chassis
23		1	LAMP, WORK - See Page : 04-019-00
24		1	TOOTH - See Page : 09-107-00
25		1	BUCKET - See Page : 09-093-00 TO 09-105-00
26		1	BUCKET CONTROL - See Page : 09-091-00, Bucket
27		1	BUCKET CYLINDER - See Page : 09-089-00, Bucket
28		1	DIPPER - See Page : 09-081-00 to 09-085-00
29		1	DIPPER CYLINDER - See Page : 09-087-00
30		1	BOOM - See Page : 09-077-00
31		1	BOOM CYLINDER - See Page : 09-079-00
34		1	SWING MOTOR-DRIVE REDUCTION GEAR - See Page : 06-007-00
35		1	FUEL TANK - See Page : 03-003-00
36		1	HYDRAULIC RESERVOIR - See Page : 08-003-00
38		1	VALVE SOLENOIDE - See Page : 08-105-00
39		1	CONTROL VALVE - See Page : 08-089-00 to 08-103-00
40		1	PUMP COUPLING - See Page : 08-005-00
41		1	EXHAUST - See Page : 02-007-00
43		1	CAB - See Page : 09-061-00 to 09-069-00
44		1	CAB DOOR - See Page : 09-071-00
45		1	SEAT - See Page : 09-043-00
46		1	HAND CONTROL VALVE - OPERATORS COMPARTMENT09-023-00
47		1	MAT, FLOOR - OPERATORS COMPARTMENT - See Page : 09-021-00
48		1	AIR CONDITIONING - See Page : 09-047-00 to 09-059-00
49		1	TRAVEL CONTROL - See Page : 09-025-00
50		1	OPTION CONTROL - See Page : 09-027-00
51		1	SIDE INSTRUMENT PANEL - See Page : 04-027-00
52		1	ELECTRICAL CIRCUIT - See Page : 04-003-00 to 04-015-00

01-003-00(01) COMPONENT INDEX

Ref	Part Number	Qty	Description
53		1	HYDRAULIC CIRCUIT - See Page : 07-003-00, Undercarriage
53		1	HYDRAULIC CIRCUIT - See Page : 08-007-00 to 08-059R-00, Upperstructure chassis

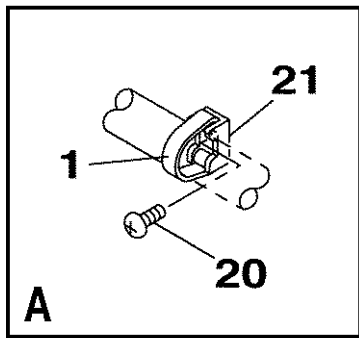
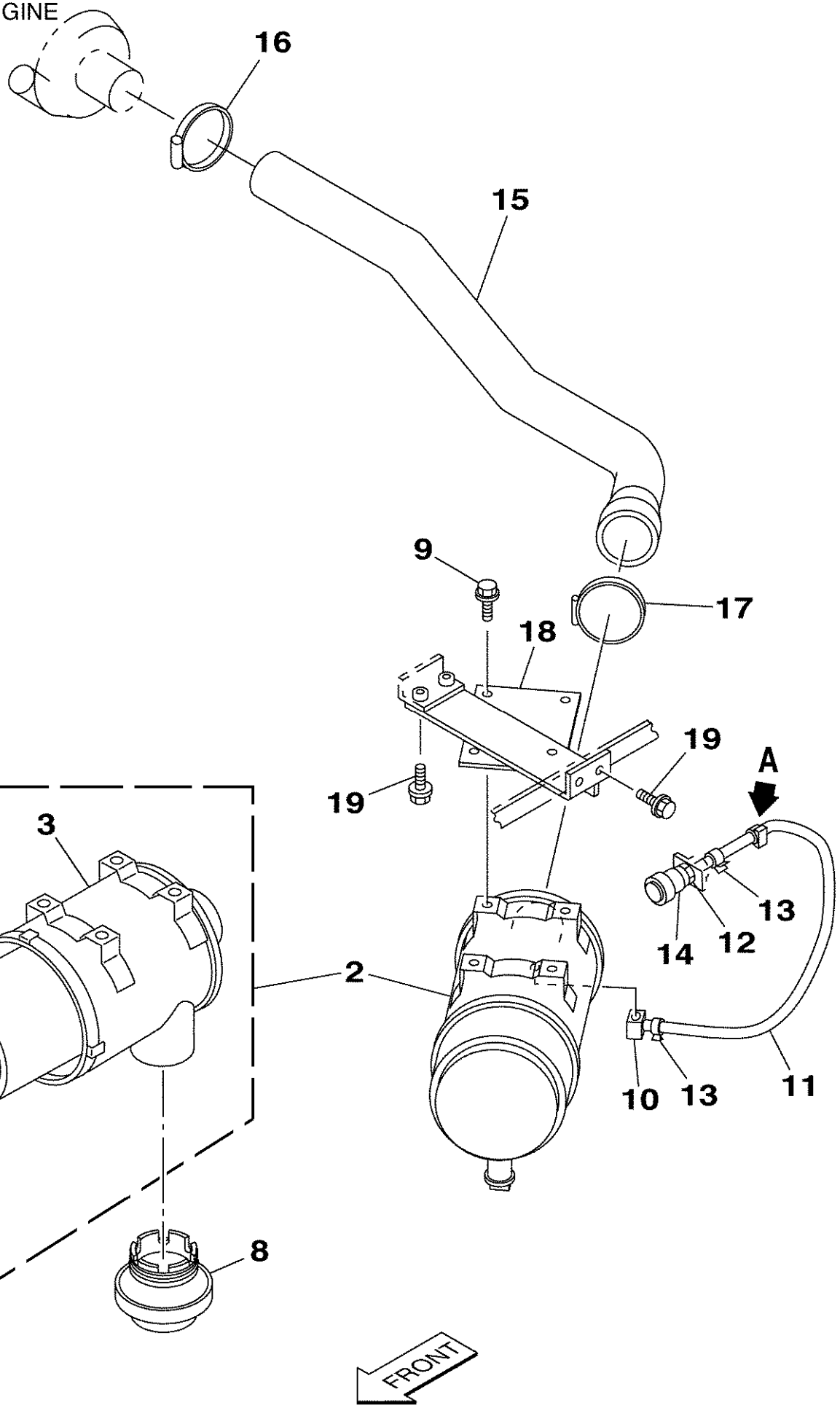


CX130 CASE CRAWLER EXCAVATOR (EUROPE) (1/03-)

02-003-00(01) ENGINE MOUNTING - ENGINE

Ref	Part Number	Qty	Description
1	KNH0842	1	ENGINE ASSY, , Until DCH13B2166, See Page(s) 02-015-00 to 02-055-00, 03-009-00 to 03-017-00, 03-021-00 to 03-025-00, 04-025-00, 04-031-00, 04-037-00, 04-039-00
1	KNH0934	1	ENGINE, , DCH13B2167 And After, See Page(s) 02-015-00 to 02-055-00, 03-009-00 to 03-017-00, 03-021-00 to 03-025-00, 04-025-00, 04-031-00, 04-037-00, 04-039-00
10	KRH1341	1	SUPPORT,
11	KHH0485	1	SUPPORT,
12	159657A1	7	BOLT, M10 x 20; 10.9
13	153604A1	1	NUT,
14	150409A1	8	WASHER, 10,5 x 21 x 3,2 mm
15	KNH0755	4	GASKET,
16	KRH1226	4	RUBBER BLOCK,
17	827-16140	2	BOLT, Hex, M16 x 140, 10.9, M16 x 140
18	627-16171	1	BOLT, Hex, M16 x 170, 10.9, Full Thd, M16 x 170; 10.9
19	627-16260	1	BOLT, Hex, M16 x 260, 10.9, Full Thd, M16 x 260; 10.9
20	150814A1	6	WASHER,
21	KRH1256	6	PLATE,
22	829-1416	2	NUT, M16, CI 10, M16; 10
23	KRH1251	2	NUT, M16

ENGINE

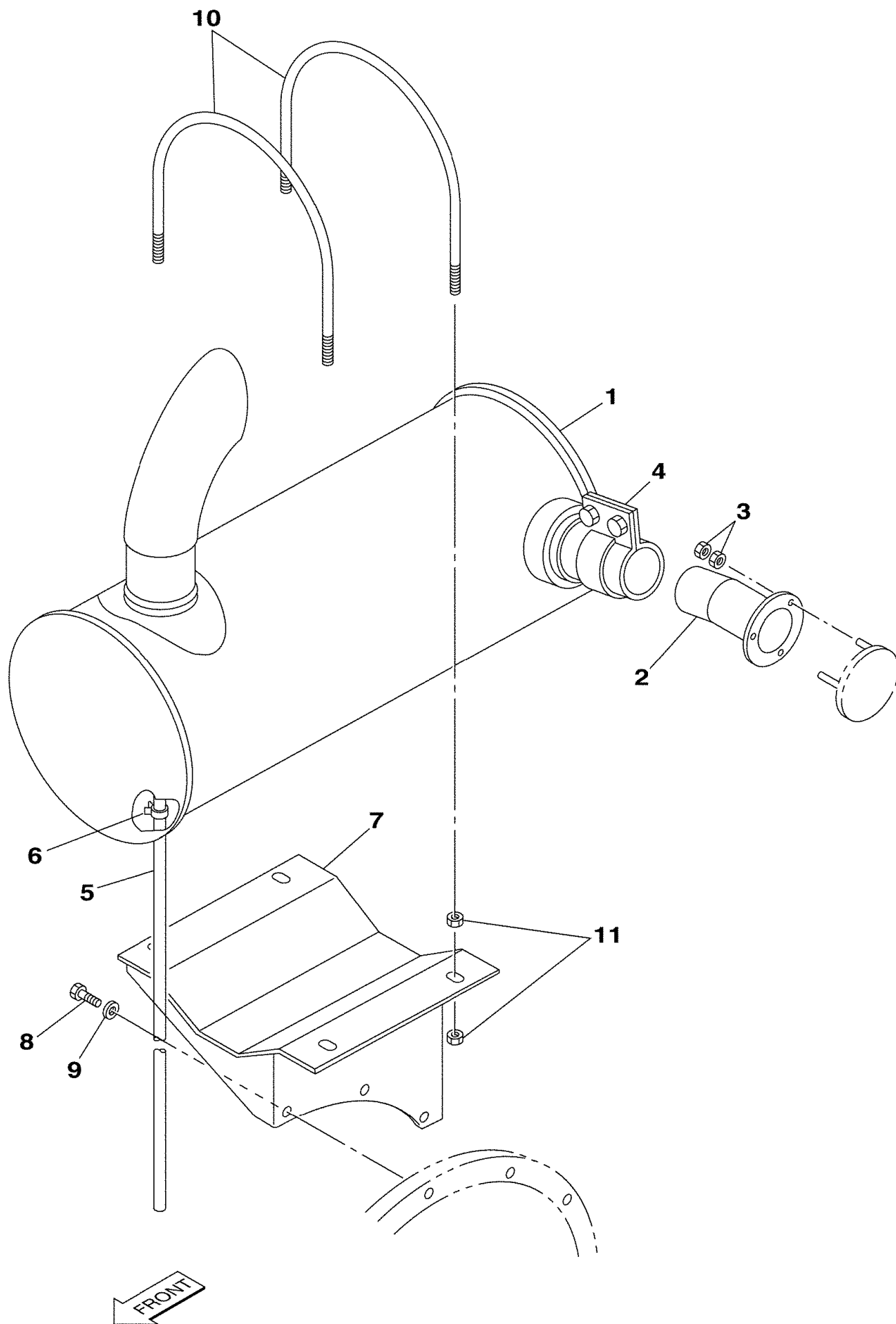


FRONT

CX130 CASE CRAWLER EXCAVATOR (EUROPE) (1/03-)

02-005-00(01) AIR FILTRATION

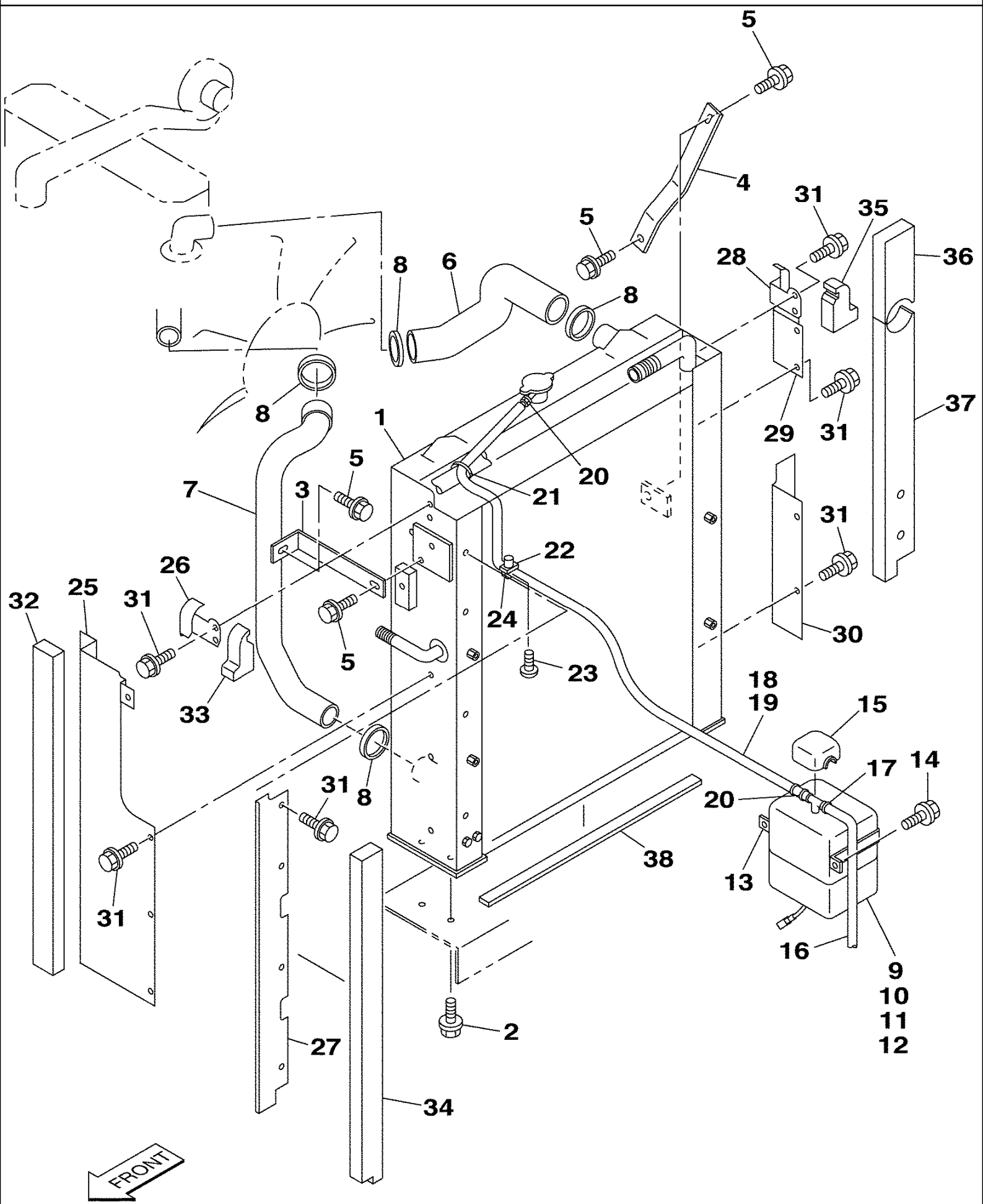
Ref	Part Number	Qty	Description
1	150067A1	1	STRAP,
2	KRH1319	1	AIR CLEANER, , Consists Of Ref. Numbers 3-7
3	KRH1248	1	BODY,
4	KRH0652	1	FILTER, AIR,
5	KRH1320	1	FILTER, AIR,
6	KRH1249	1	COVER,
7	KRH1250	1	VALVE,
8	165437A1	1	CAP,
9	166052A1	4	BOLT,
10	KRH1237	1	ELBOW,
11	157780A1	1	HOSE,
12	KRH1236	1	SEAL,
13	165951A1	2	CLAMP,
14	KSH0050	1	INDICATOR,
15	KNH0765	1	HOSE,
16	150545A1	1	CLAMP,
17	150736A1	1	CLAMP,
18	KNH0768	1	BRACKET,
19	152718A1	4	BOLT,
20	840-168	1	SCREW, Cross Pan Hd, M6 x 8, M6 x 8; 10,9
21	150860A1	1	CLAMP,



CX130 CASE CRAWLER EXCAVATOR (EUROPE) (1/03-)

02-007-00(01) EXHAUST

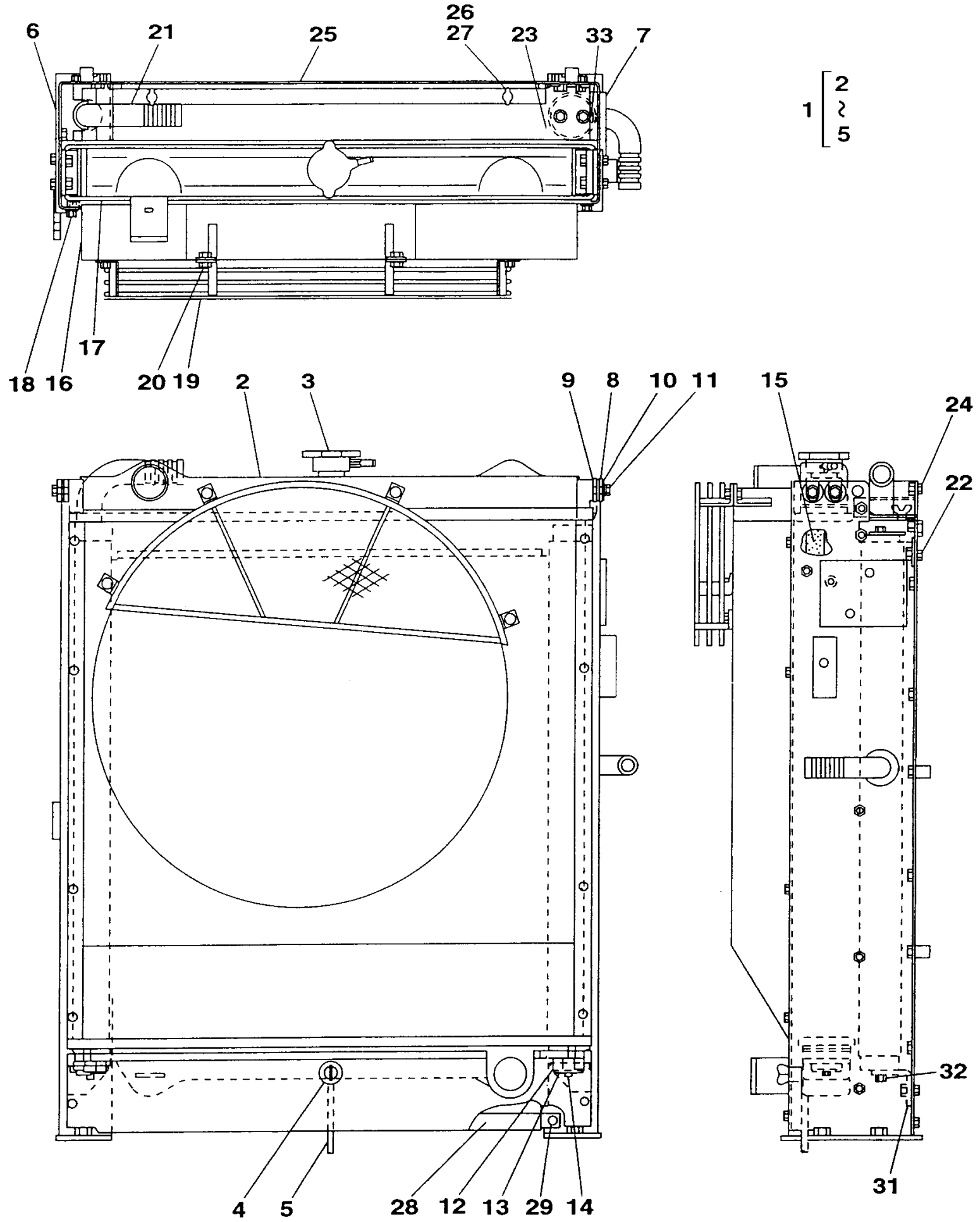
Ref	Part Number	Qty	Description
1	KNH0761	1	MUFFLER,
2	KNH0820	1	PIPE,
3	829-1408	6	NUT, M8, CI 10, , M8; 10
4	KNH0821	1	CLAMP,
5	157478A1	1	TUBE,
6	151367A1	1	CLAMP,
7	KNH0826	1	BRACKET,
8	627-10035	3	BOLT, Hex, M10 x 35, 10.9, Full Thd, , M10 x 35; 10,9
9	150409A1	3	WASHER, , 10,5 x 21 x 3,2 mm
10	159696A1	2	U-BOLT,
11	150472A1	8	NUT,



CX130 CASE CRAWLER EXCAVATOR (EUROPE) (1/03-)

02-009-00(01) WATER CIRCUIT

Ref	Part Number	Qty	Description
1	LN00056	1	RADIATOR, , See Page(s) 02-011-00-01
2	166352A1	4	BOLT,
3	KNH0811	1	STAY,
4	KNH0831	1	STAY,
5	152718A1	4	BOLT,
6	KNH0773	1	HOSE, LARGE,
7	KNH0774	1	HOSE, LARGE,
8	165793A1	4	CLAMP,
9	160626A1	1	RESERVOIR, , Consists Of Ref. Numbers 10-12
11	161740A1	1	SWITCH,
12	166131A1	1	CAP,
13	KRH1270	1	HOLDER,
14	166351A1	2	BOLT,
15	157140A1	1	COVER,
16	167485A1	1	HOSE, LARGE,
17	165952A1	1	MOUNTING CLIP,
18	167850A1	1	HOSE, LARGE,
19	KBR0621	1	LOOM,
20	165951A1	2	CLAMP,
21	150498A1	1	COLLAR,
22	150860A1	1	CLAMP,
23	840-168	1	SCREW, Cross Pan Hd, M6 x 8, , M6 x 8; 10,9
24	150067A1	1	STRAP,
25	KNH0832	1	BRACKET,
26	KNH0833	1	BRACKET,
27	KNH0835	1	BRACKET,
28	KNH0834	1	BRACKET,
29	KNH0836	1	BRACKET,
30	KNH0837	1	BRACKET,
31	166345A1	16	BOLT,
32	KNH0838	1	GASKET,
33	KNH0816	1	GASKET,
34	KNH0822	1	GASKET,
35	KNH0817	1	GASKET,
36	KNH0785	1	GASKET,
37	KNH0839	1	GASKET,
38	KNH0795	1	GASKET,

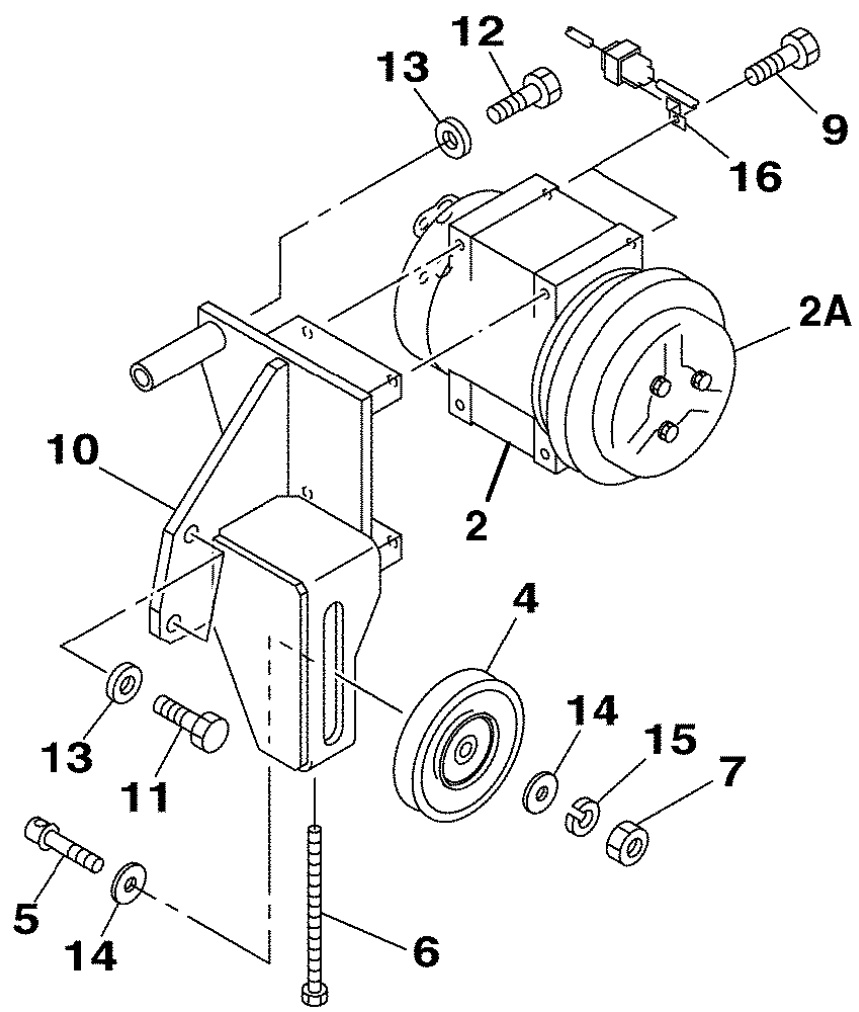
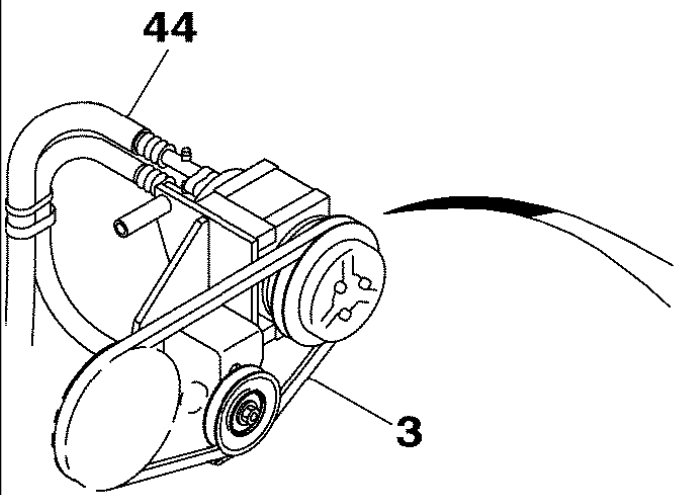


CX130 CASE CRAWLER EXCAVATOR (EUROPE) (1/03-)

02-011-00(01) RADIATOR

Ref	Part Number	Qty	Description
	KNH0830	1	RADIATOR, , Consists Of Ref. Numbers 1 To 33
1	LN00056	1	RADIATOR, , Consists Of Ref. Numbers 2-5
2	LN00057	1	RADIATOR,
3	165655A1	1	CAP,
4	LK00283	1	FAUCET,
5	LK00284	1	HOSE, FLEXIBLE,
6	LS00119	1	BRACKET,
7	LS00120	1	BRACKET,
8	LQ00022	4	RUBBER SEAL,
9	LH00233	4	COLLAR,
10	LA00680	4	WASHER,
11	LA00688	4	SCREW,
12	LQ00023	2	RUBBER SEAL,
13	LA00682	2	WASHER,
14	165648A1	2	BOLT,
15	LE00717	2	PACKING,
16	LW00307	1	SHROUD,
17	LE00717	2	PACKING,
18	164554A1	10	BOLT,
19	LG00315	1	GUARD,
20	164554A1	4	BOLT,
21	LN00058	1	COOLER, OIL,
22	164554A1	8	BOLT,
23	LW00308	1	COVER,
23	LW00455	1	COVER, , CX 130 DCH13B0966 And After, CX130-LA DCH13B0975 And After
24	164554A1	2	BOLT,
25	LJ00673	1	FILTER,
26	LUG0096	2	SCREW,
27	895-10006	2	WASHER, M6 x 12 x 1.6, M6
28	LG00316	1	RAIL, CENTRAL,
29	164554A1	2	BOLT,
31	LS00126	3	SUPPORT,
32	164554A1	6	BOLT,
33	LE00767	2	SEAL,

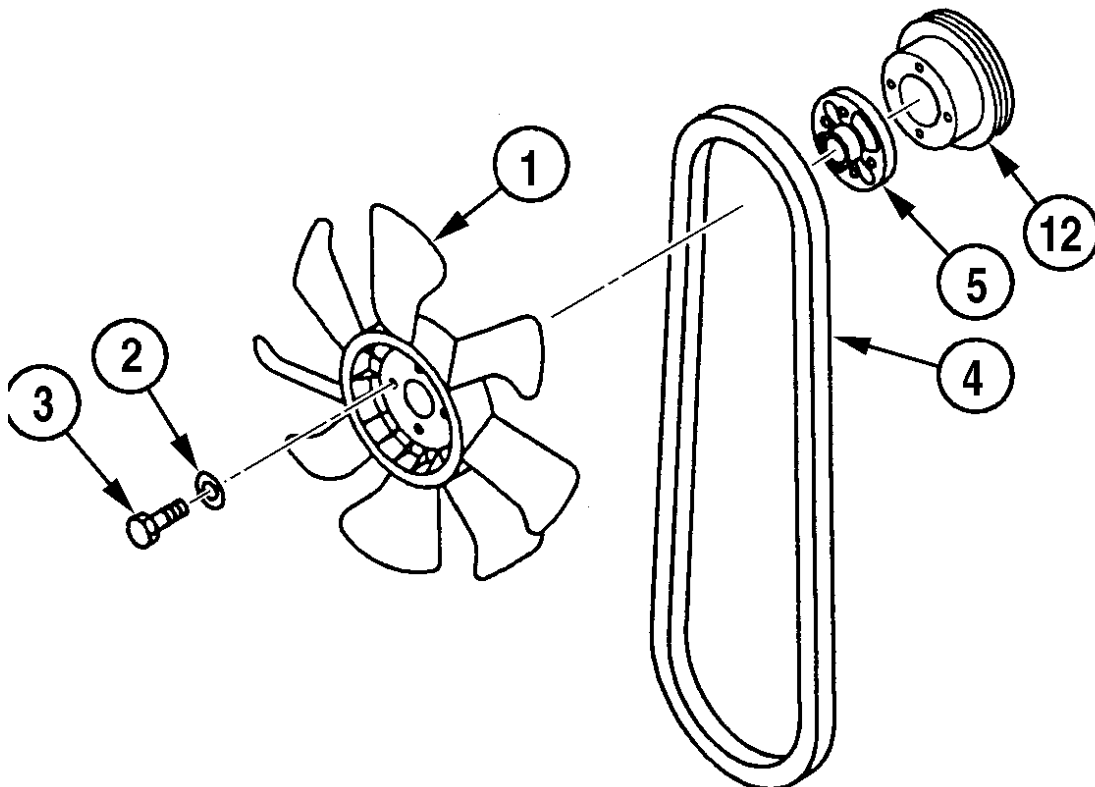
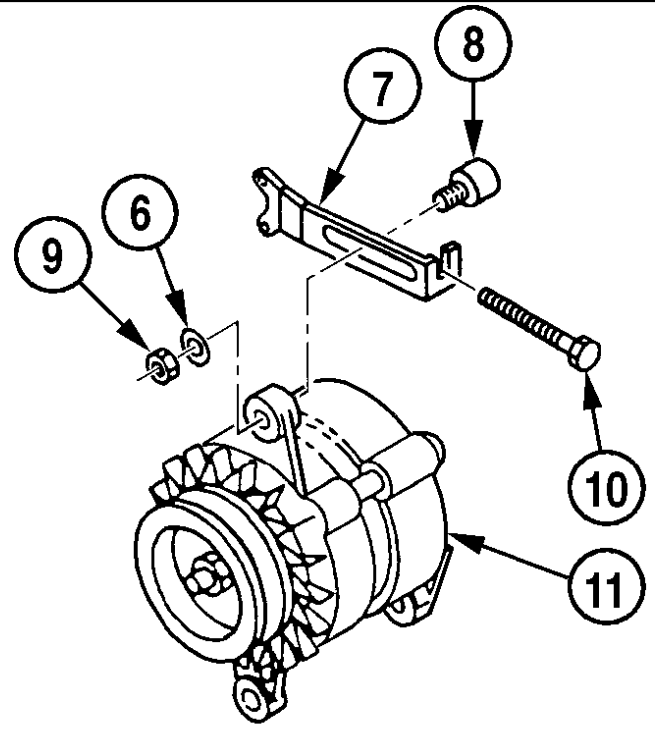
CX130 DCH13B0101 To DCH13B0965, DCH13B0966 And After / CX130-LA DCH13B0101 To DCH13B0974, DCH13B0975 And After



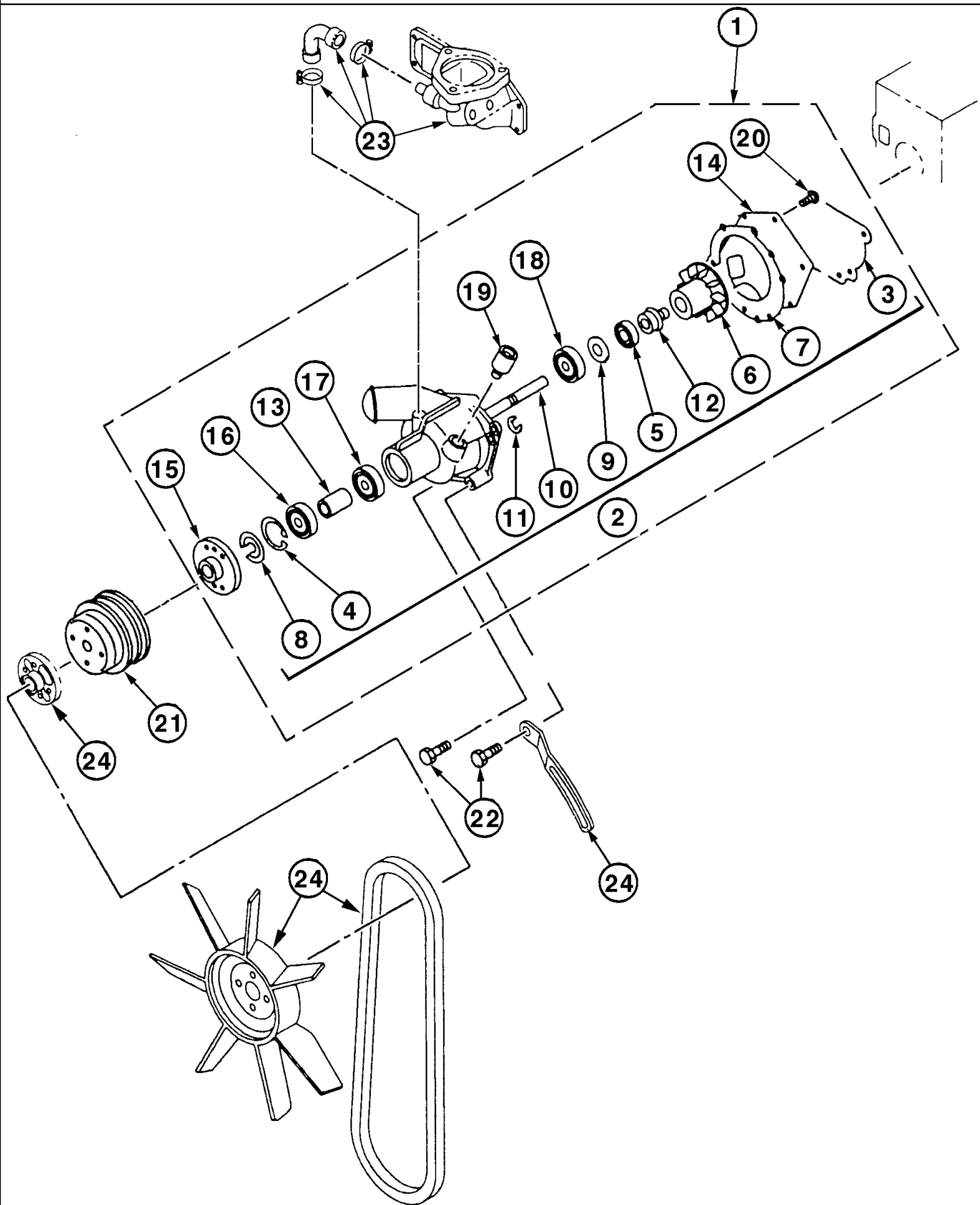
CX130 CASE CRAWLER EXCAVATOR (EUROPE) (1/03-)

02-013-00(01) CAB AIR CONDITIONING ENGINE

Ref	Part Number	Qty	Description
2	KHR3197	1	COMPRESSOR, , Consists Of Ref. Number 2A
2A	KHR3198	1	CLUTCH,
3	159639A1	1	V-BELT,
4	157296A1	1	PULLEY,
5	157299A1	1	SHAFT,
6	159644A1	1	BOLT,
7	157292A1	1	NUT, , M10
8	162457A1	2	BOLT,
9	KAR0921	4	SCREW,
10	KNR0668	1	SUPPORT,
11	827-10040	2	BOLT, Hex, M10 x 40, 10.9, Full Thd, , M10 x 40; 10.9
12	167472A1	2	BOLT,
13	150409A1	4	WASHER, , 10,5 x 21 x 3,2 mm
14	151977A1	2	WASHER,
15	892-11010	1	WASHER, LOCK, M10, , W10
16	158962A1	1	CLIP,
44	REF	1	INSTRUCTION, , Circuit, Hydraulic, See Page(s) 09-055-00



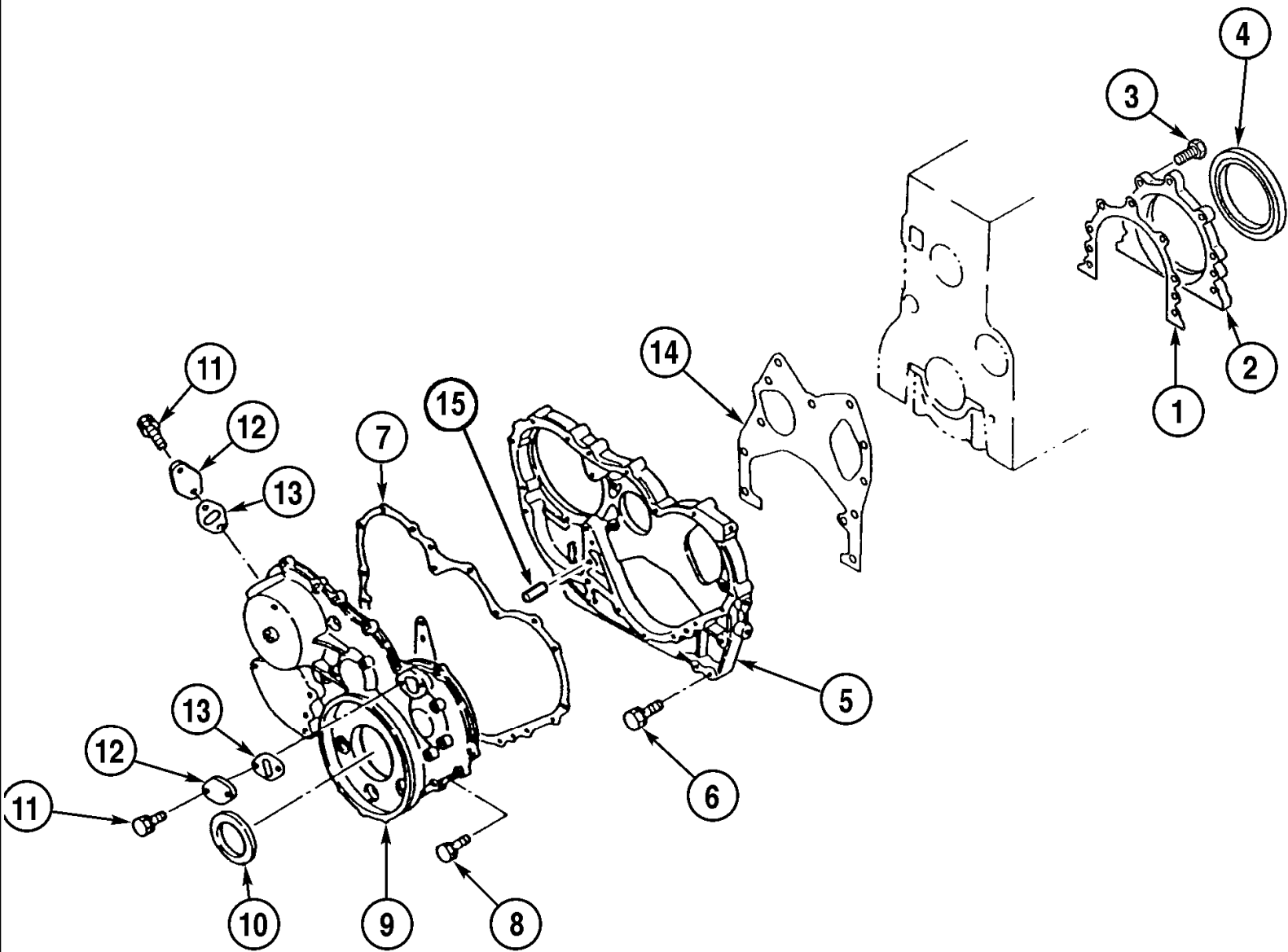
Ref	Part Number	Qty	Description
1	288811A1	1	FAN,
2	289791A1	4	WASHER,
3	288708A1	4	SCREW,
4	288879A1	1	BELTS, SET OF 2,
5	288756A1	1	SPACER,
6	289798A1	1	WASHER,
7	288758A1	1	TENSIONER,
8	288759A1	1	SCREW,
9	289043A1	1	NUT,
10	289049A1	1	BOLT,
11	288864A1	1	ALTERNATOR, , See Page(s) 04-025-00
11	86988795	1	ALTERNATOR, , See Page(s) 04-025-00
12	288752A1	1	PULLEY, , See Page(s) 02-017-00



CX130 CASE CRAWLER EXCAVATOR (EUROPE) (1/03-)

02-017-00(01) WATER PUMP

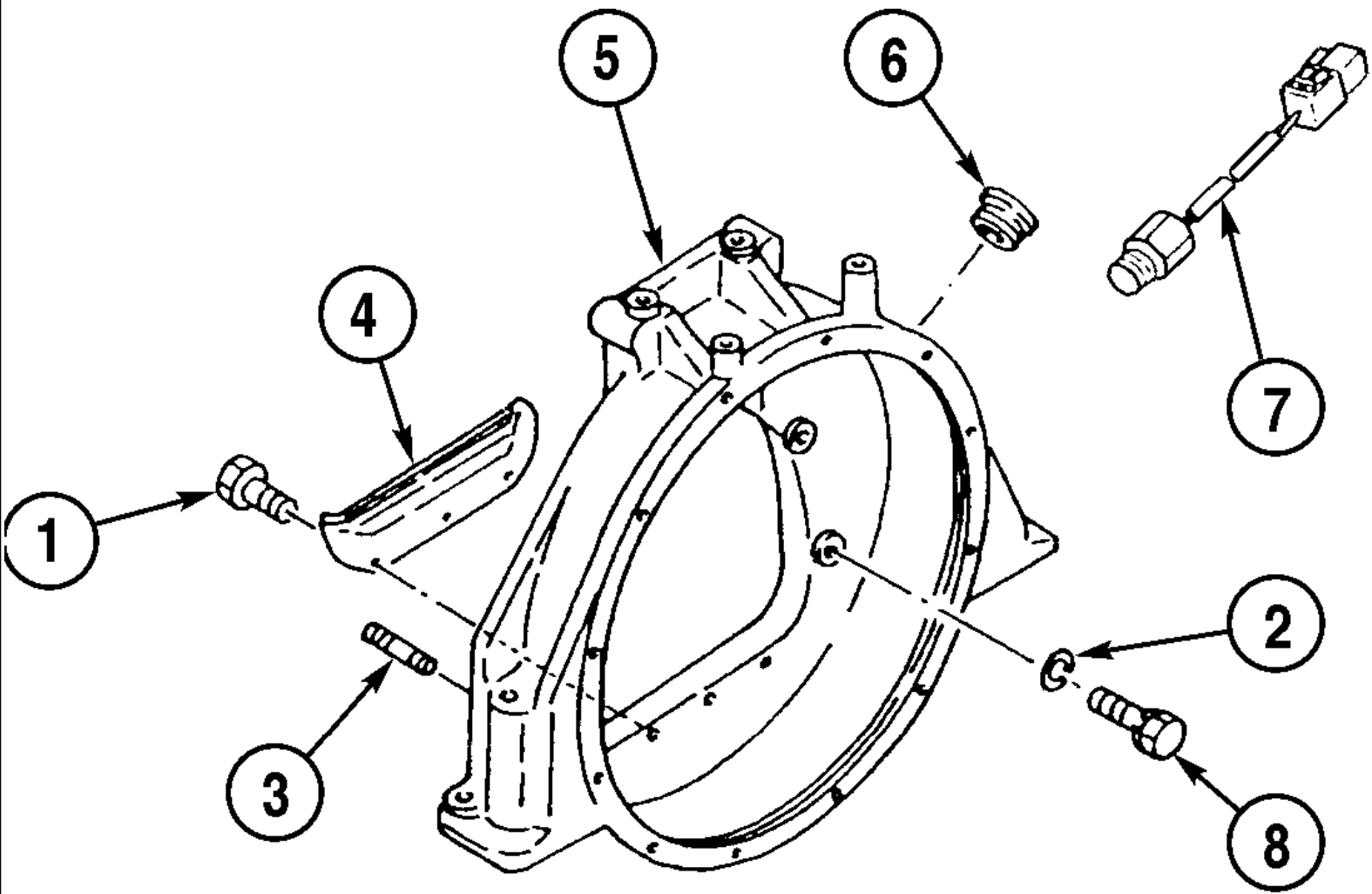
Ref	Part Number	Qty	Description
1	288878A1	1	PUMP, WATER, , Consists Of Ref. Numbers 2-20
2	288877A1	1	KIT, GASKET, , Consists Of Ref. Numbers 3-12
3	289654A1	1	GASKET,
4	289801A1	1	RING,
5	87438342	1	GASKET,
6	288845A1	1	IMPELLER,
7	288843A1	1	GASKET,
8	289485A1	1	DUST CAP,
9	289071A1	1	WASHER,
10	289194A1	1	SHAFT,
11	289851A1	1	RING,
12	288844A1	1	GASKET,
13	289484A1	1	SPACER,
14	288842A1	1	HOOD,
15	289488A1	1	FLANGE,
16	289433A1	1	BEARING,
17	289432A1	1	BEARING,
18	288716A1	1	BEARING,
19	419713A1	1	CONNECTOR,
20	289759A1	3	SCREW,
21	288752A1	1	PULLEY,
22	288698A1	1	SCREW, , M10 x 35
22	288700A1	2	SCREW, , M10 x 45
22	288990A1	1	BOLT,
23	REF	1	INSTRUCTION, , Thermostat, See Page(s) 02-045-00
24	REF	1	INSTRUCTION, , Fan, See Page(s) 02-015-00



CX130 CASE CRAWLER EXCAVATOR (EUROPE) (1/03-)

02-019-00(01) FRONT TIMING GEAR COVER

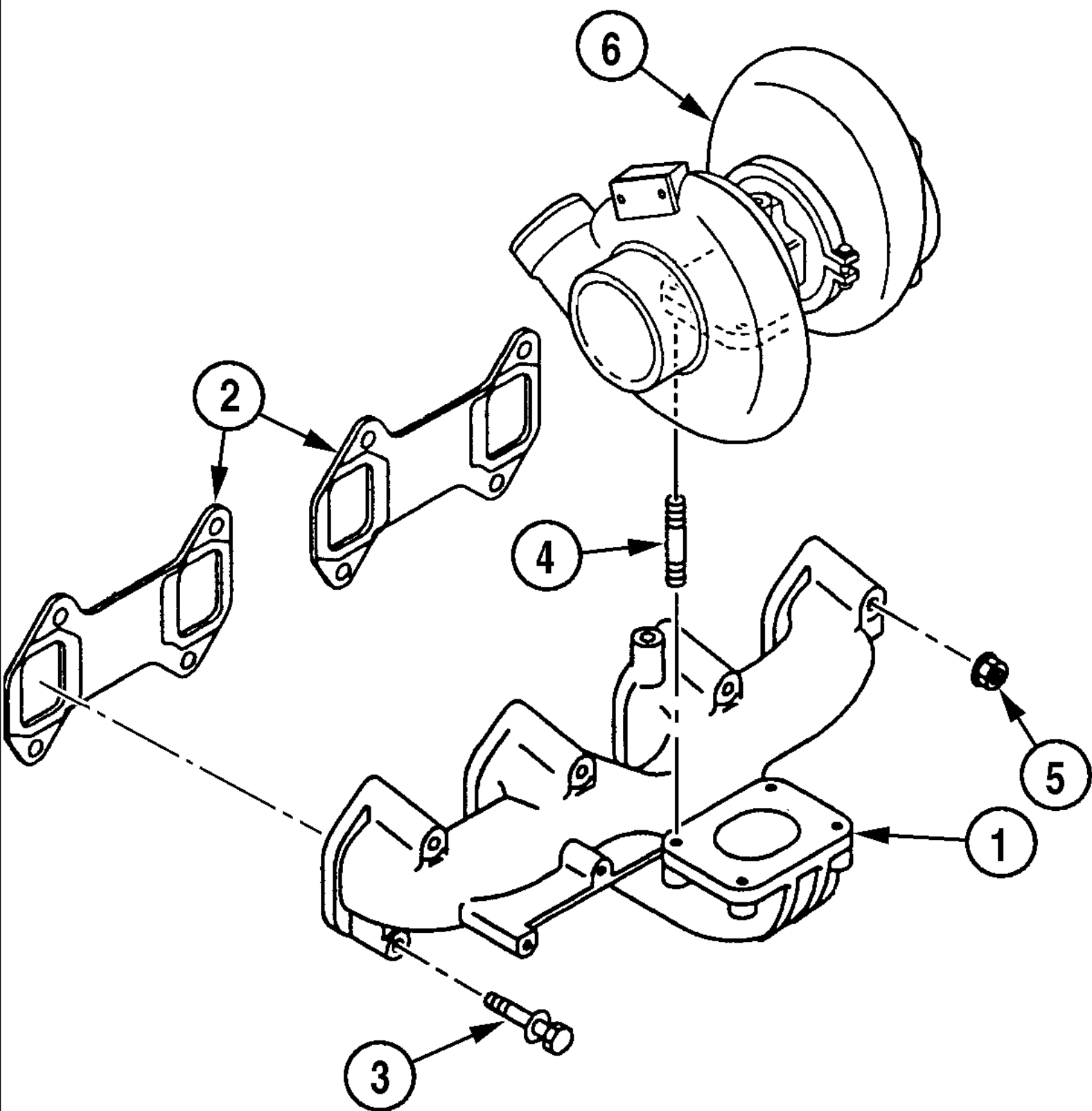
Ref	Part Number	Qty	Description
1	289655A1	1	GASKET,
2	289728A1	1	RETAINER,
3	288996A1	7	BOLT, , M8 x 25; 10,9
4	288806A1	1	SEAL, SHAFT,
5	289679A1	1	CASE,
6	288695A1	4	SCREW, , M8 x 22
6	288984A1	2	BOLT,
7	433818A1	1	GASKET,
8	288695A1	8	SCREW, , M8 x 22
8	288696A1	1	SCREW, , M8 x 80
8	288989A1	3	BOLT,
8	355254A1	4	BOLT, , M8 x 55; 10,9
9	289740A1	1	COVER,
10	289090A1	1	SEAL,
11	288982A1	4	BOLT, , M6 x 14; 10,9
12	355271A1	2	COVER,
13	355274A1	2	SEAL,
14	289658A1	1	PACKING,
15	289859A1	1	SPLIT PIN,



CX130 CASE CRAWLER EXCAVATOR (EUROPE) (1/03-)

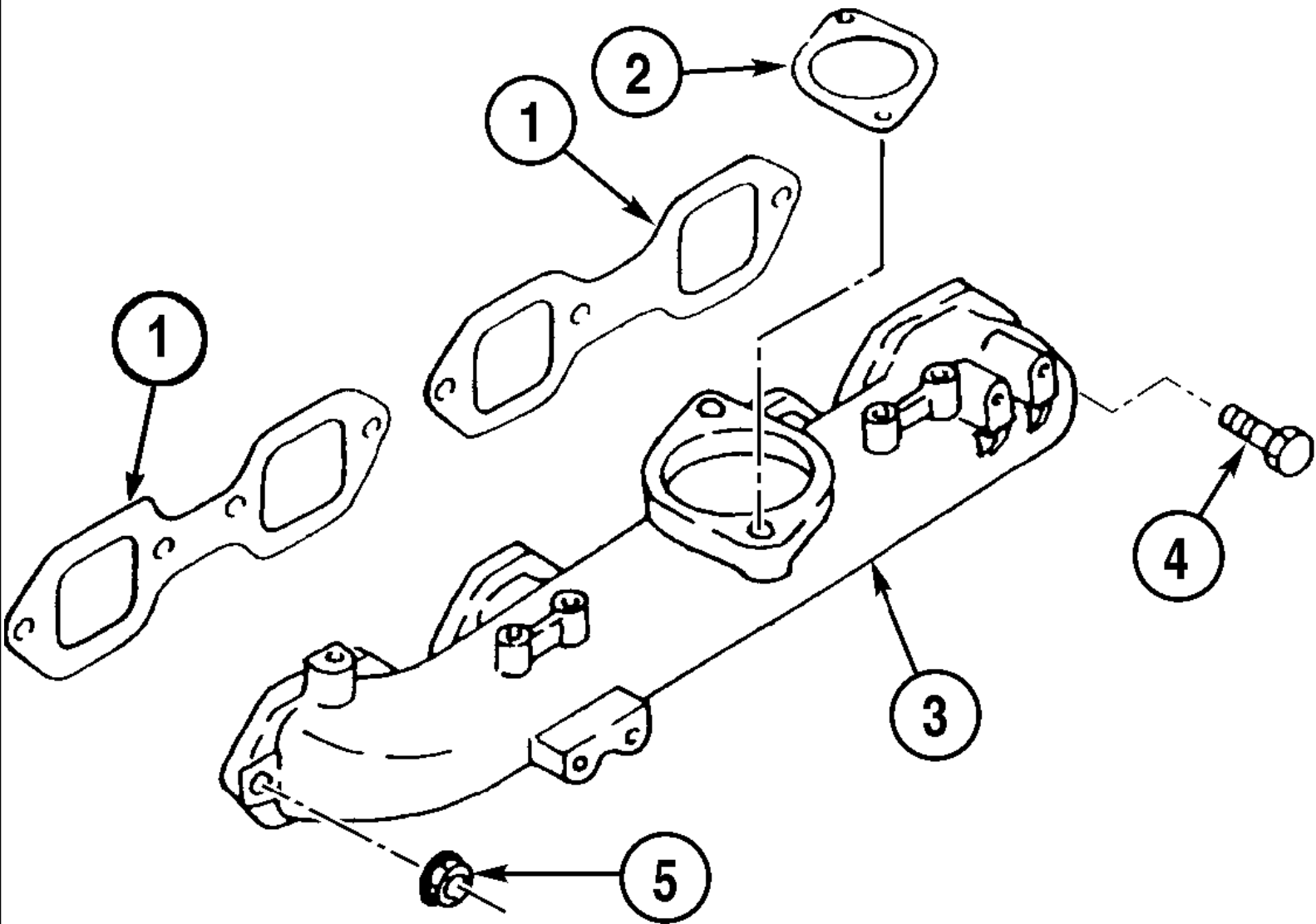
02-021-00(01) ENGINE FLYWHEEL HOUSING

Ref	Part Number	Qty	Description
1	288693A1	3	SCREW, , M6 x 100
2	289785A1	6	WASHER,
3	289995A1	2	STUD,
4	289718A1	1	COVER,
5	288839A1	1	HOUSING,
6	289861A1	1	COVER,
7	288846A1	1	SENSOR,
8	288974A1	2	BOLT, , M14 x 50
8	288975A1	4	BOLT, , M14 x 65
9	86988905	6	WASHER, , Not Illustrated



02-023-00(01) EXHAUST PIPE

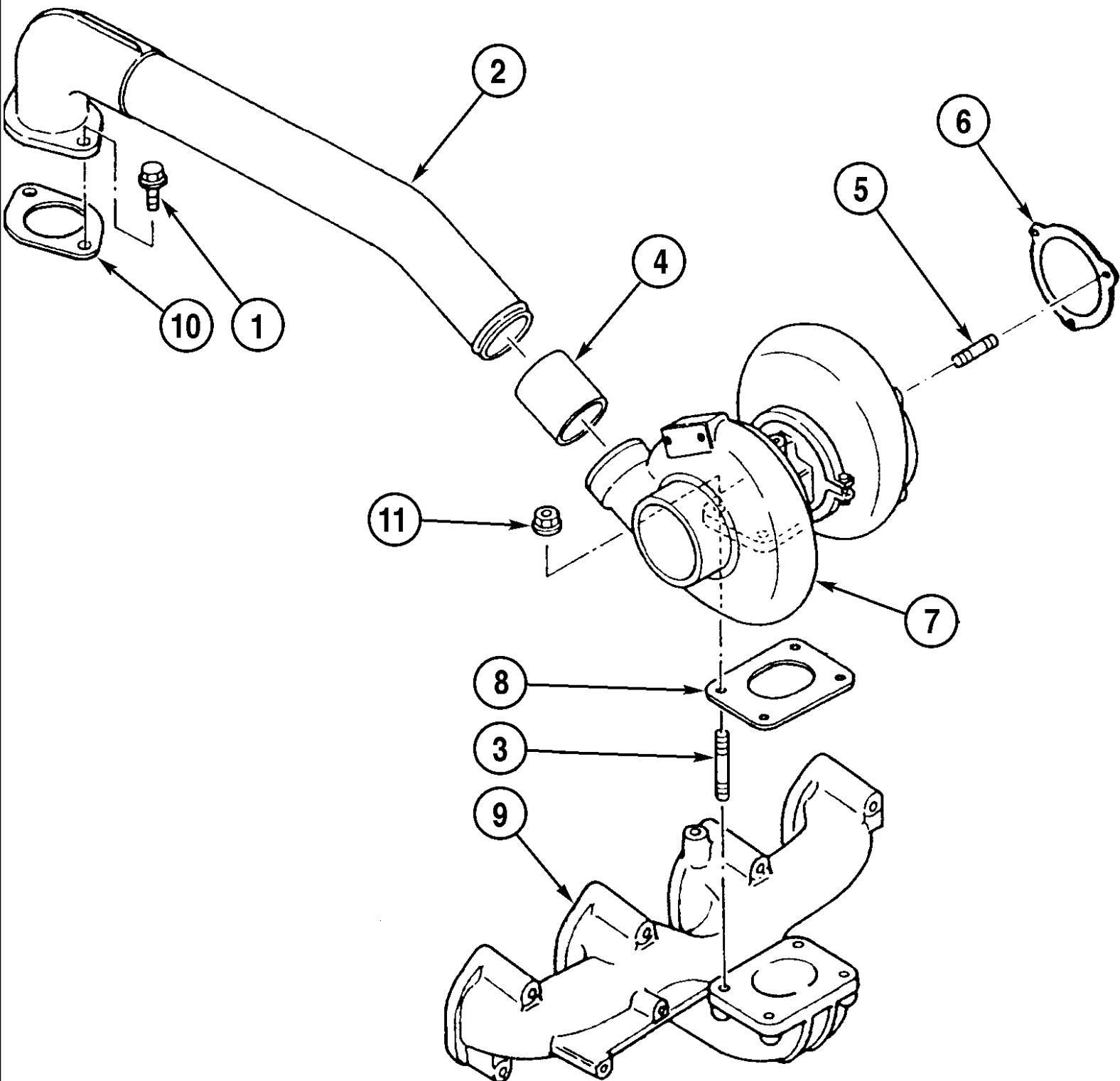
Ref	Part Number	Qty	Description
1	289647A1	1	MANIFOLD,
2	289667A1	2	GASKET,
3	289639A1	2	BOLT, , M8 x 63
3	289640A1	2	BOLT, , M8 x 75
4	289633A1	4	STUD,
5	289624A1	4	NUT,
6	288830A1	1	TURBOCHARGER, , See Page(s) 02-029B-00



CX130 CASE CRAWLER EXCAVATOR (EUROPE) (1/03-)

02-025-00(01) INTAKE PIPE

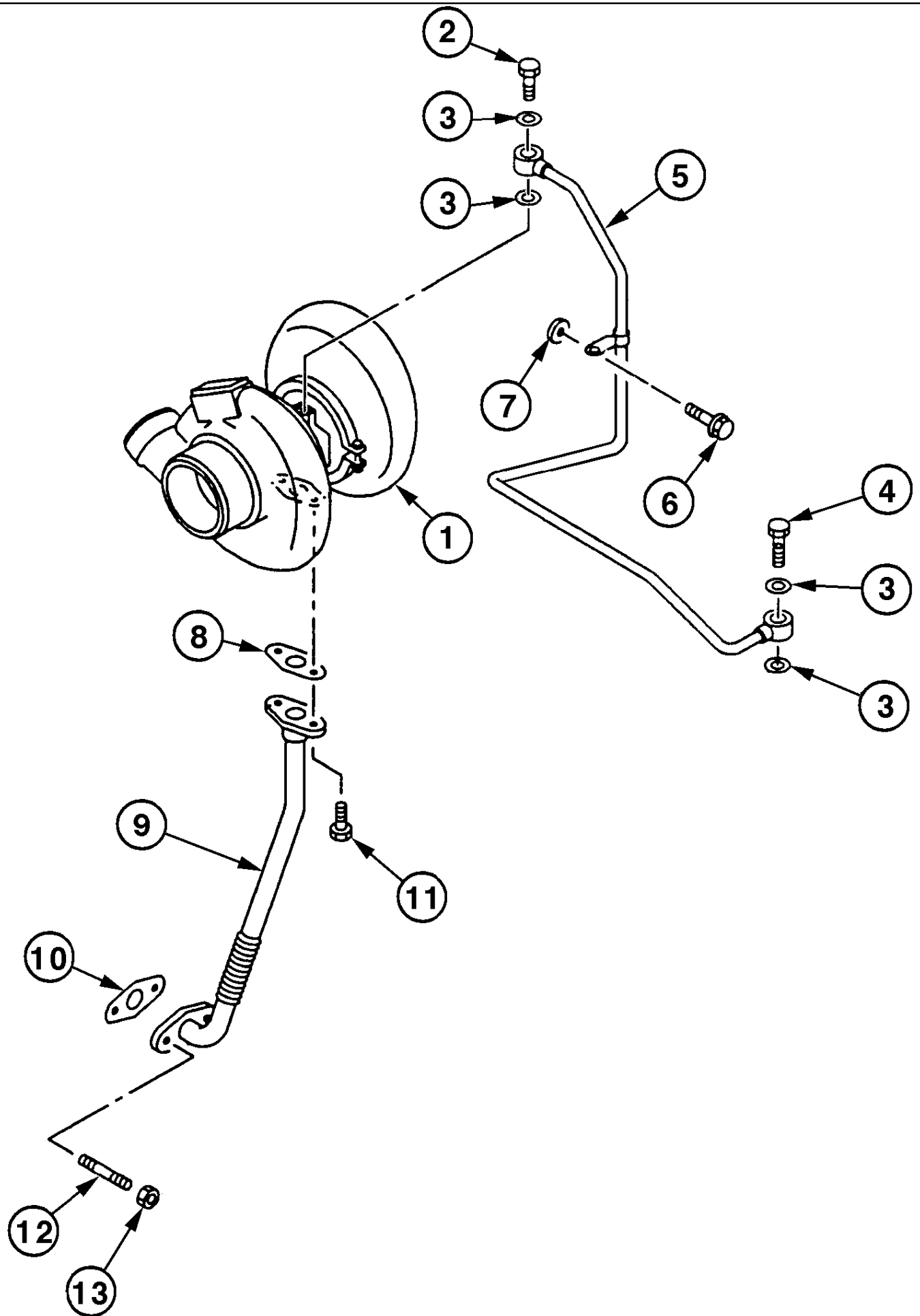
Ref	Part Number	Qty	Description
1	419709A1	2	PACKING, , Replaced By 87448397
1	87448397	2	PACKING,
2	289662A1	1	GASKET,
3	288819A1	1	MANIFOLD,
4	355261A1	4	BOLT, , M8 x 25; 10,9
5	289042A1	4	NUT,



CX130 CASE CRAWLER EXCAVATOR (EUROPE) (1/03-)

02-027-00(01) TURBOCHARGER SYSTEM

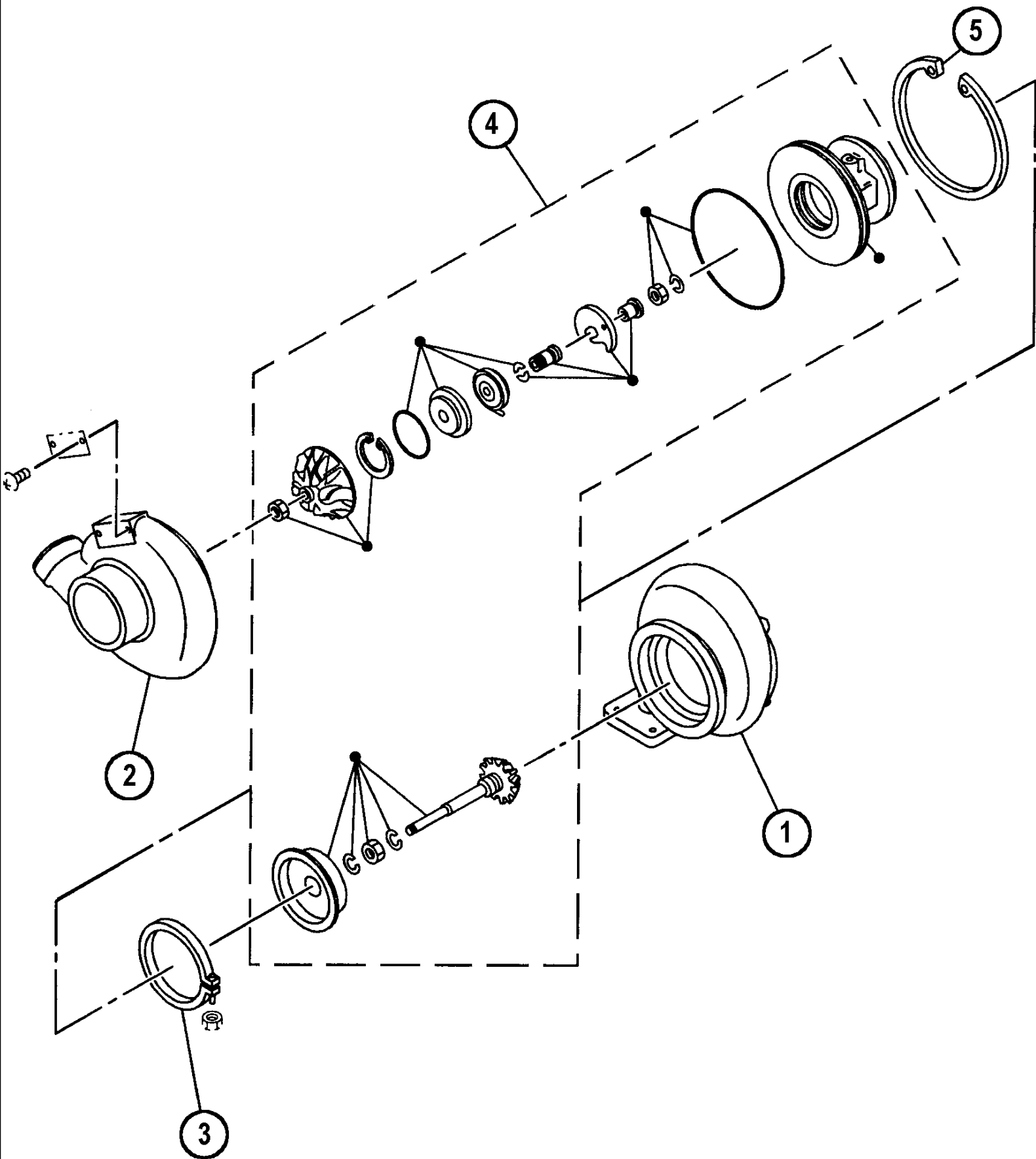
Ref	Part Number	Qty	Description
1	289040A1	2	BOLT,
2	288831A1	1	PIPE,
3	289633A1	4	STUD, , See Page(s) 02-023-00
4	289064A1	1	HOSE,
5	289686A1	3	STUD,
6	289652A1	1	GASKET,
7	288830A1	1	TURBOCHARGER, , See Page(s) 02-029-00
8	289653A1	1	GASKET,
9	289647A1	1	MANIFOLD, , See Page(s) 02-023-00
10	289662A1	1	GASKET, , See Page(s) 02-025-00
11	289722A1	4	NUT,



CX130 CASE CRAWLER EXCAVATOR (EUROPE) (1/03-)

02-029-00(01) TURBOCHARGER OIL RETURN

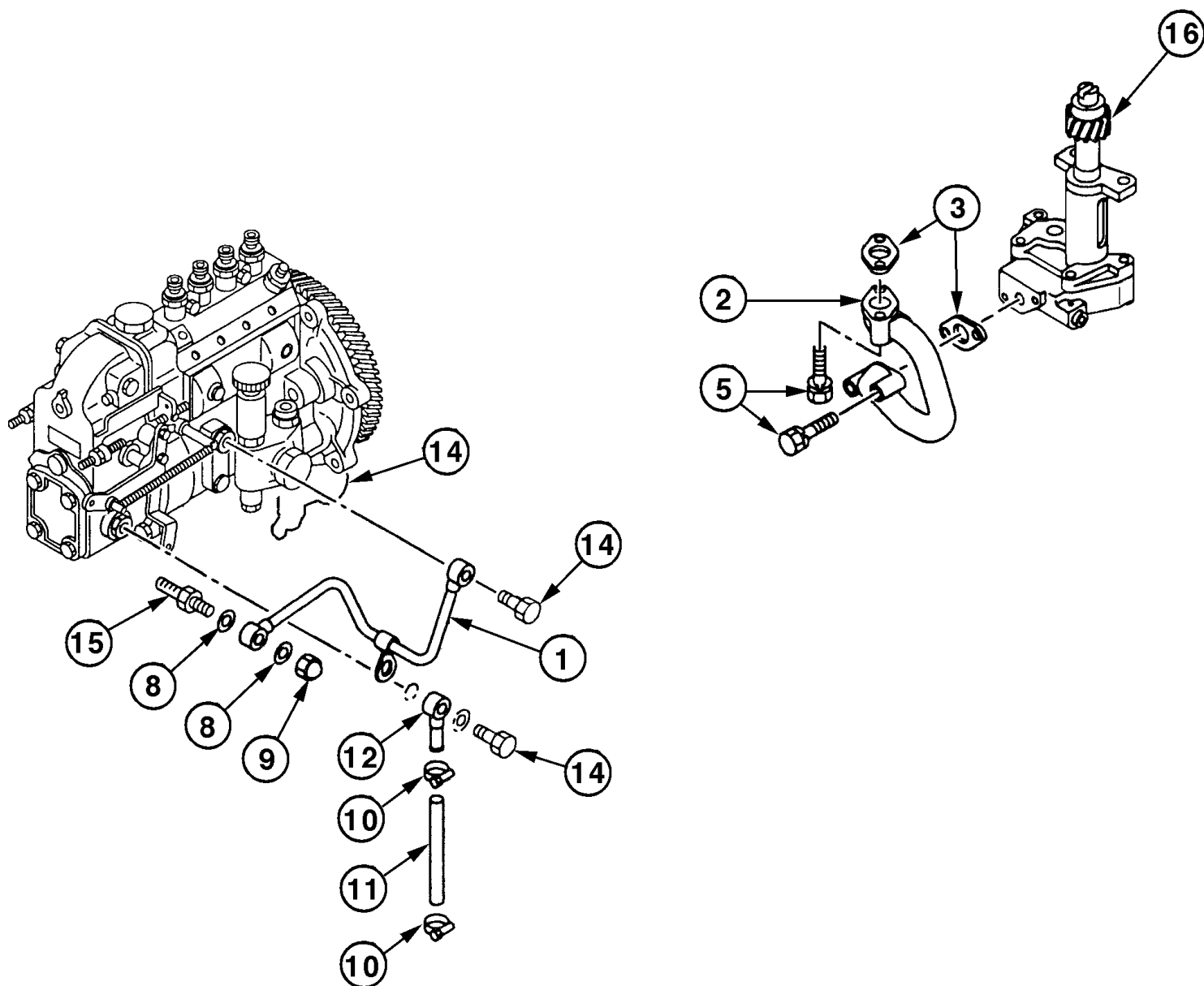
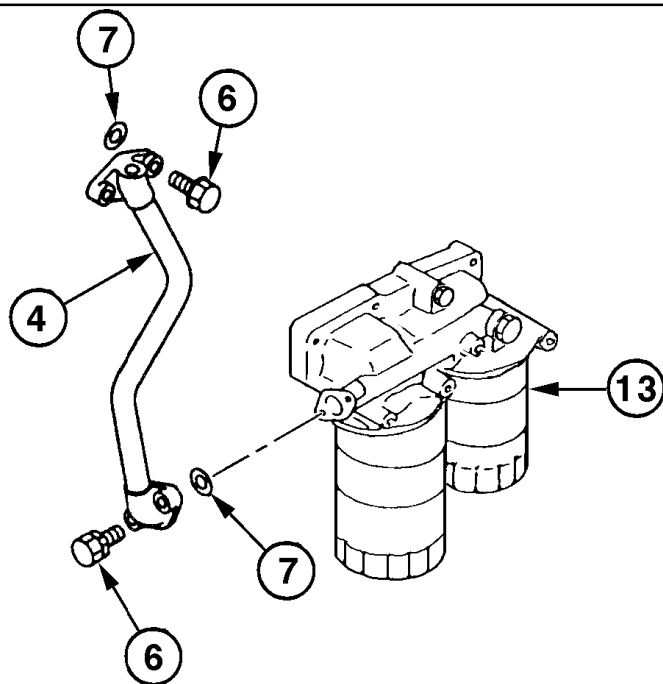
Ref	Part Number	Qty	Description
1	288830A1	1	TURBOCHARGER, , See Page(s) 02-029B-00
2	289842A1	1	BOLT,
3	289809A1	2	PACKING,
4	289103A1	1	BOLT,
5	288825A1	1	TUBE ASSY.,
6	288983A1	1	BOLT,
6	362184A1	1	BOLT,
7	288782A1	1	WASHER,
8	288794A1	1	GASKET,
9	87445906	1	PIPE ASSY.,
10	288795A1	1	GASKET,
11	288694A1	1	SCREW,
12	355256A1	2	STUD, , M8 x 22
13	289042A1	2	NUT,



CX130 CASE CRAWLER EXCAVATOR (EUROPE) (1/03-)

02-029B-00(01) TURBOCHARGER

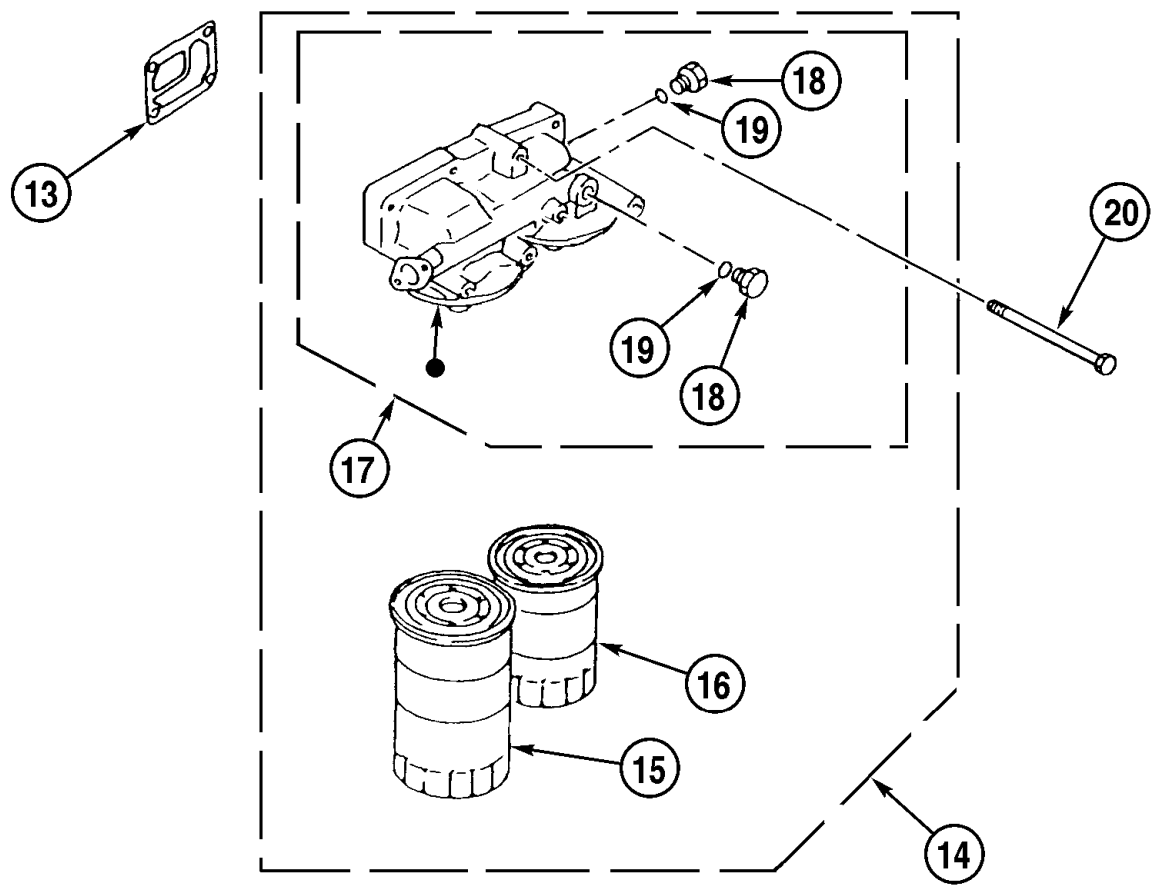
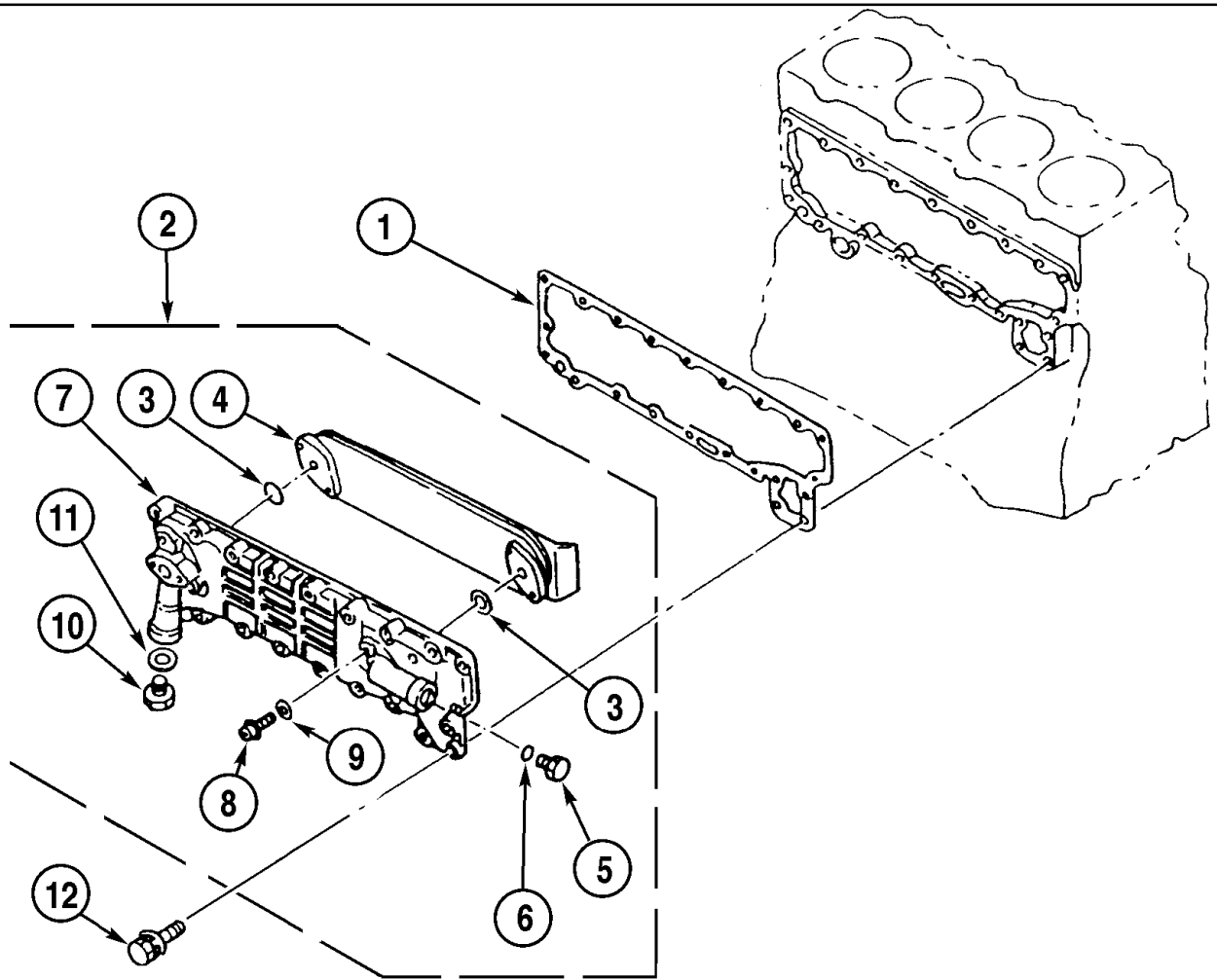
Ref	Part Number	Qty	Description
	288830A1	1	TURBOCHARGER, , Consists Of Ref. Numbers 1-5
1	418906A1	1	HOUSING,
2	418910A1	1	HOUSING,
3	418912A1	1	CLAMP,
4	418913A1	1	SET OF PARTS,
5	418914A1	1	CIRCLIP,



CX130 CASE CRAWLER EXCAVATOR (EUROPE) (1/03-)

02-031-00(01) OIL RETURN ENGINE

Ref	Part Number	Qty	Description
1	289734A1	1	PIPE,
2	289609A1	1	PIPE,
3	289848A1	2	PACKING,
4	288837A1	1	PIPE,
5	289019A1	4	BOLT,
6	355272A1	2	BOLT, , M8 x 32; 10,9
6	288997A1	1	BOLT, , M8 x 35; 10,9
6	288995A1	1	BOLT,
7	289085A1	2	PACKING,
8	289813A1	2	PACKING,
9	289834A1	1	NUT,
10	288799A1	2	CLAMP,
11	288805A1	1	HOSE, LARGE,
12	426417A1	1	PIPE,
13	REF	1	INSTRUCTION, , Filter, See Page(s) 02-033-00
14		1	Screw
15		1	Screw
16	REF	1	INSTRUCTION, , Pump, Engine Oil, See Page(s) 02-035-00

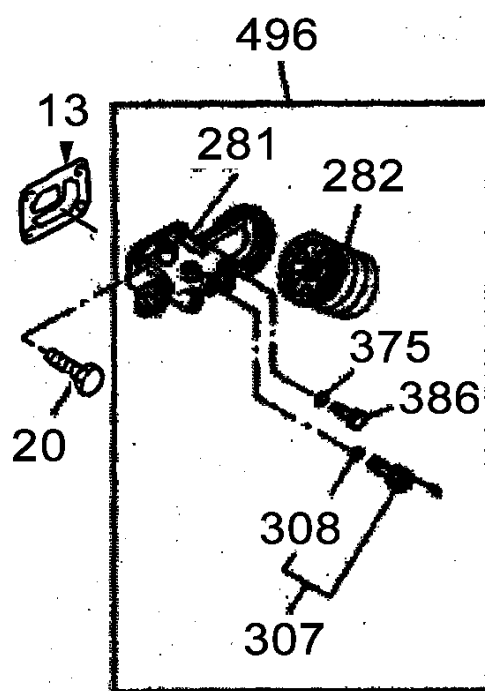
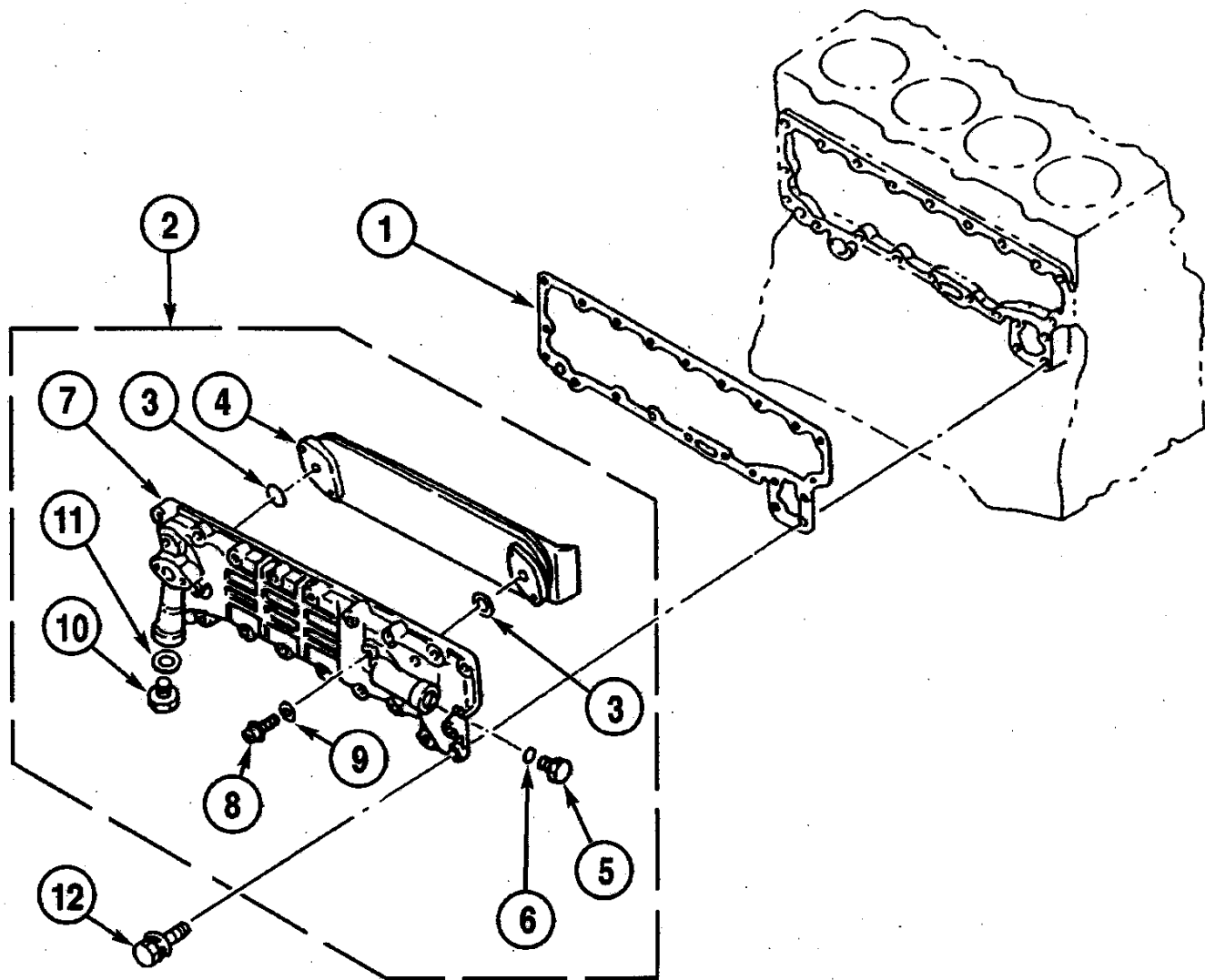


CX130 CASE CRAWLER EXCAVATOR (EUROPE) (1/03-)

02-033-00(01) OIL COOLER - OIL FILTER

Ref	Part Number	Qty	Description
1	289689A1	1	GASKET,
2	289690A1	1	COOLER, , Consists Of Ref. Numbers 2-11
3	289440A1	3	GASKET,
4	289714A1	1	CORE,
5	289738A1	1	PLUG,
6	288853A1	1	GASKET,
7	289678A1	1	BODY,
8	289443A1	4	BOLT,
9	289329A1	4	GASKET,
10	289442A1	1	PLUG,
11	289811A1	1	GASKET,
12	289016A1	11	BOLT, , M8 x 25
12	289019A1	6	BOLT, , M8 x 45; 10,9
12	289014A1	2	BOLT, , M8 x 20; 10,9
12	289631A1	1	BOLT, , M8 x 65
13	289657A1	1	GASKET,
14	288800A1	1	FILTER ASSY., , Consists Of Ref. Numbers 15, 16, 17
15	87409538	1	FILTER, ENGINE OIL,
16	87405529	1	FILTER, ENGINE OIL,
17	418917A1	1	COVER, , Consists Of Ref. Numbers 18-21
18	289878A1	2	PLUG,
19	289849A1	2	GASKET,
20	362184A1	2	BOLT,
20	288699A1	3	SCREW, , M10 x 40
20	288990A1	1	BOLT,
20	288990A1	1	BOLT,
20	288703A1	3	SCREW, , M10 x 130

Until DCH13B2166

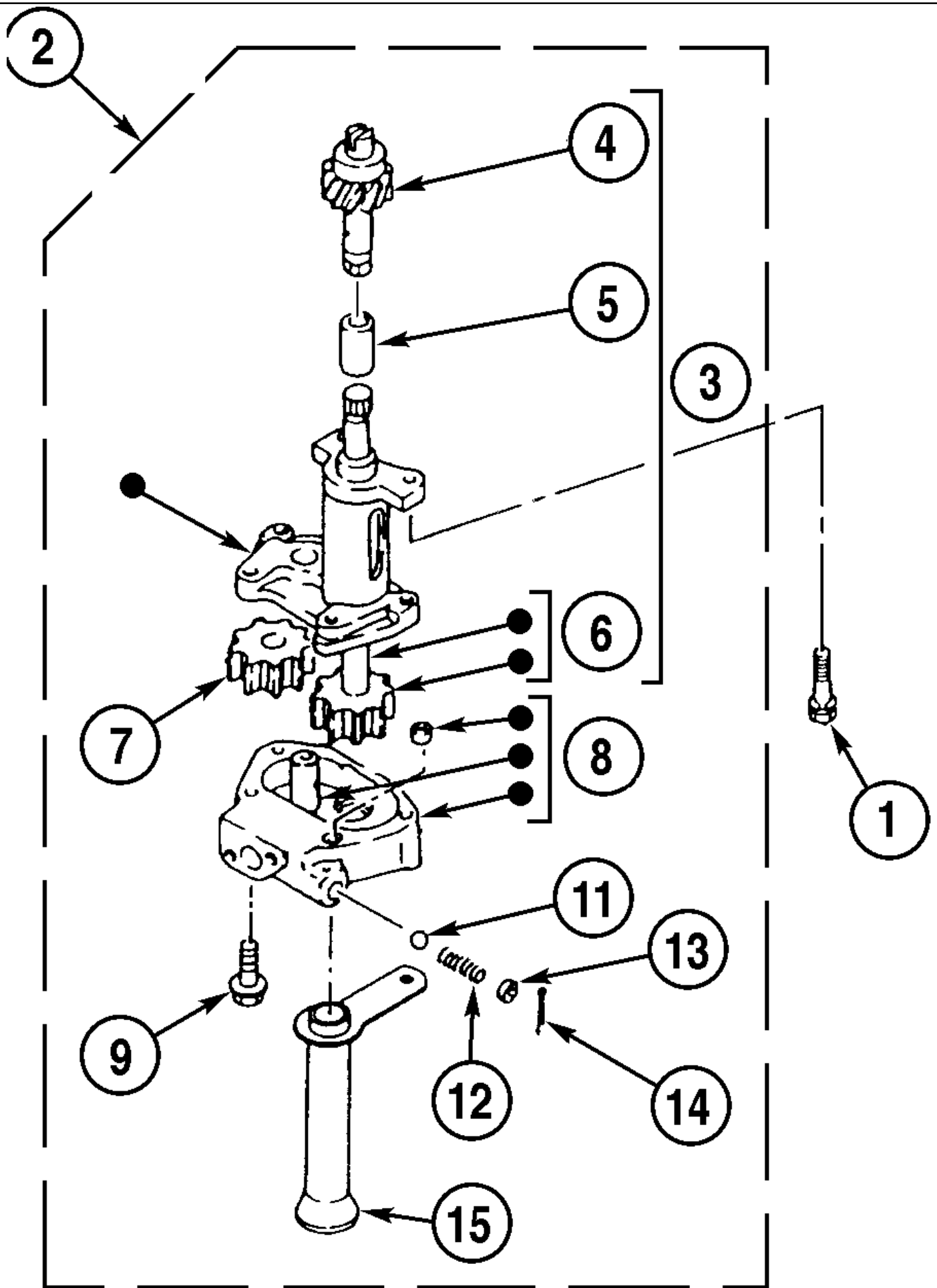


CX130 CASE CRAWLER EXCAVATOR (EUROPE) (1/03-)

02-033-00(02) OIL COOLER - OIL FILTER

Ref	Part Number	Qty	Description
1	289689A1	1	GASKET,
2	289690A1	1	COOLER, , Consists Of Ref. Numbers 2 To 11
3	289440A1	3	GASKET,
4	289714A1	1	CORE,
5	289738A1	1	PLUG,
6	288853A1	1	GASKET,
7	289678A1	1	BODY,
8	289443A1	4	BOLT,
9	289329A1	4	GASKET,
10	289442A1	1	PLUG,
11	289811A1	1	GASKET,
12	289016A1	11	BOLT, M8 x 25
12	289019A1	6	BOLT, M8 x 45
12	289014A1	2	BOLT, M8 x 20
12	289631A1	1	BOLT, M8 x 65
13	289657A1	1	GASKET,
281	NSS	1	NOT SERVICED SEPARATELY,
282	87327673	1	FILTER, ENGINE OIL,
307	288749A1	1	VALVE, BY-PASS,
308	289082A1	2	PACKING,
375	76552231	2	WASHER,
386	87340450	2	PLUG,
496	87328577	1	FILTER ASSY., , Consists Of Ref. Numbers 281, 282, 307, 308, 375, 386

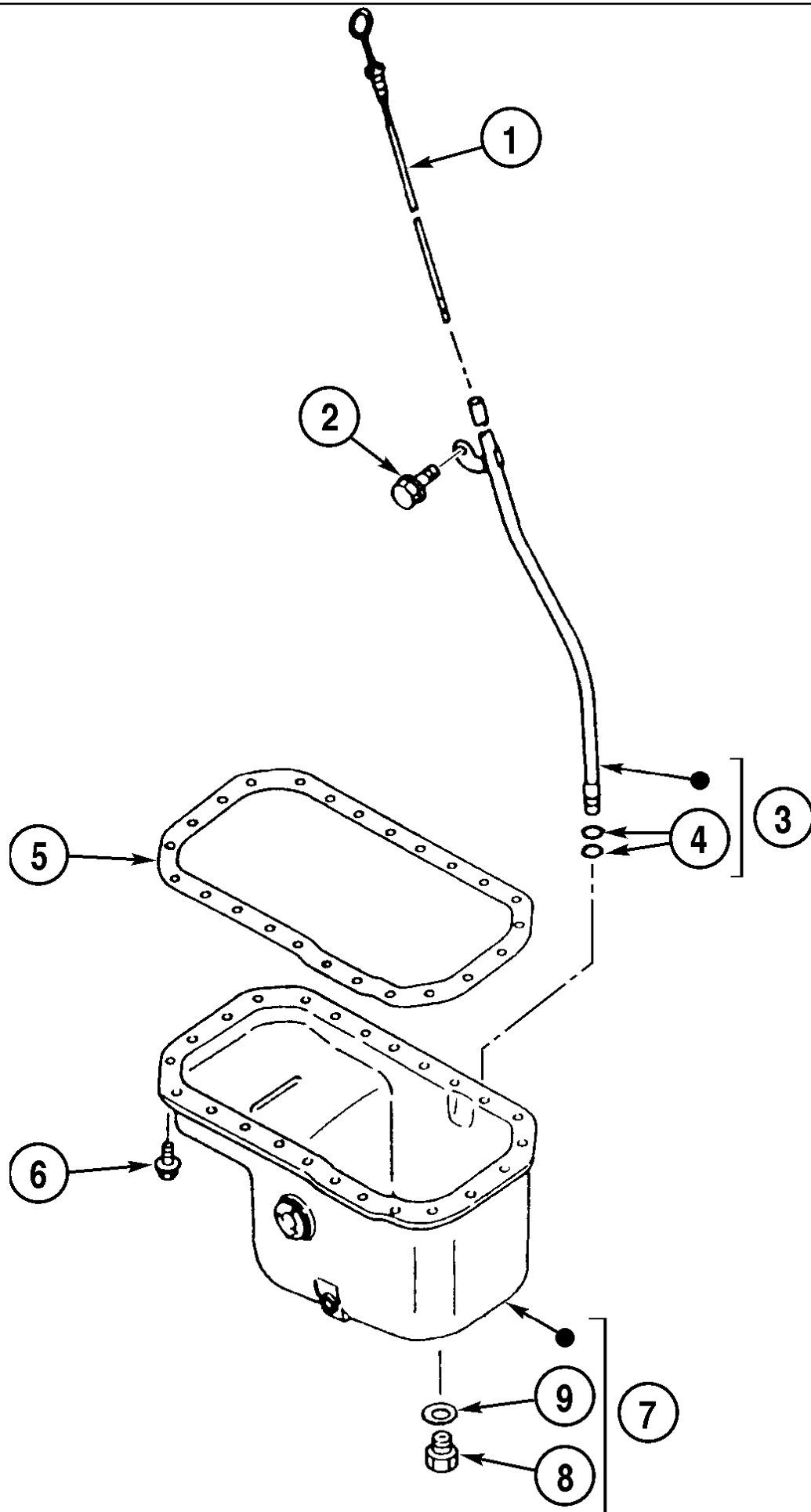
DCH13B2167 And After



CX130 CASE CRAWLER EXCAVATOR (EUROPE) (1/03-)

02-035-00(01) ENGINE OIL PUMP

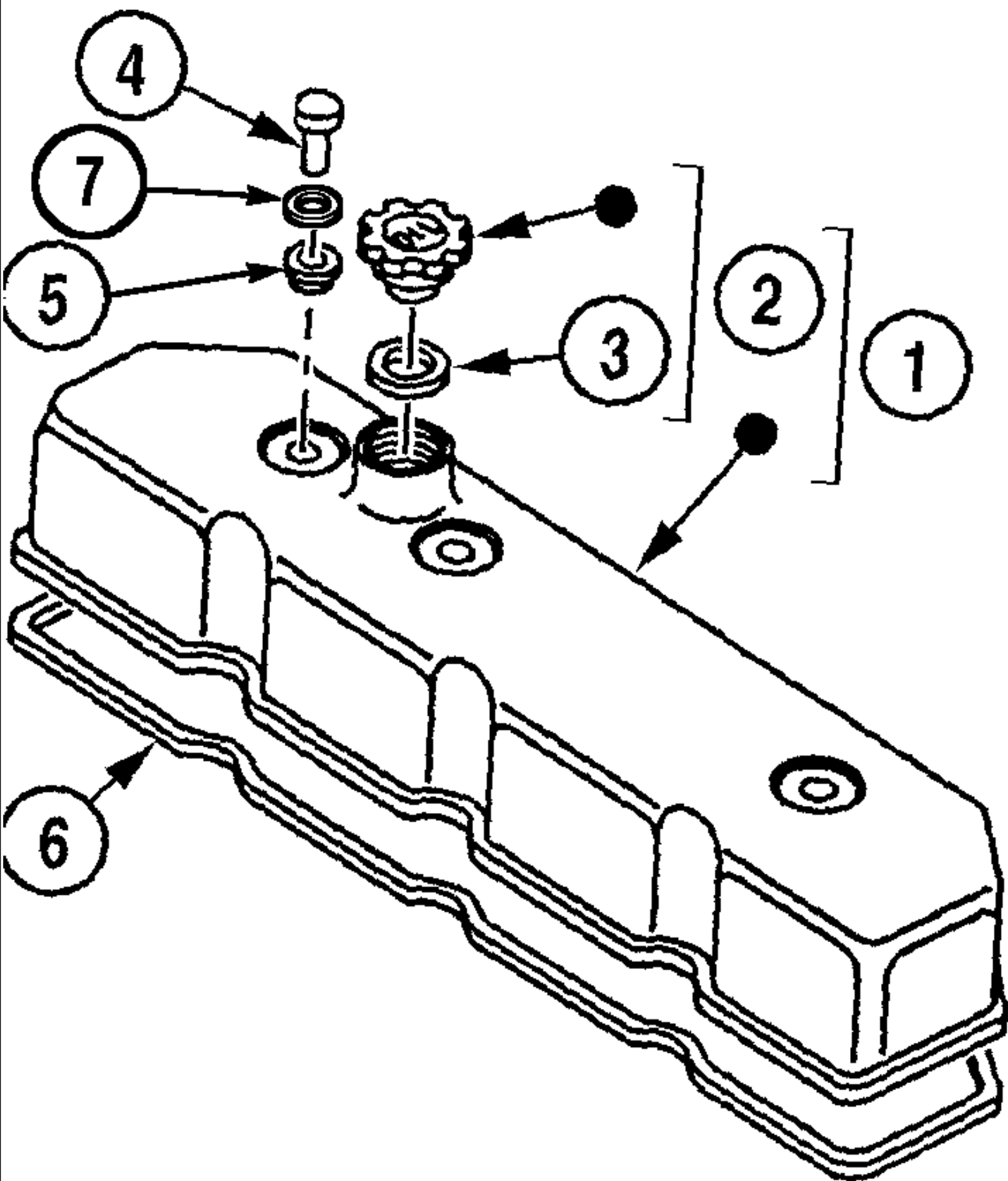
Ref	Part Number	Qty	Description
1	288988A1	2	BOLT,
2	289724A1	1	PUMP, , Consists Of Ref. Numbers 3, 7-15
3	289594A1	1	GEAR-SET, , Consists Of Ref. Numbers 4, 5, 6
4	289172A1	1	PINION,
5	289171A1	1	COUPLING,
6	289619A1	1	SHAFT,
7	289620A1	1	GEAR,
8	289621A1	1	COVER,
9	289644A1	4	BOLT,
11	289435A1	1	BALL,
12	289413A1	1	SPRING,
13	289475A1	1	SEAT,
14	289769A1	1	PIN,
15	289173A1	1	STRAINER ASSY.,



CX130 CASE CRAWLER EXCAVATOR (EUROPE) (1/03-)

02-037-00(01) OIL PAN

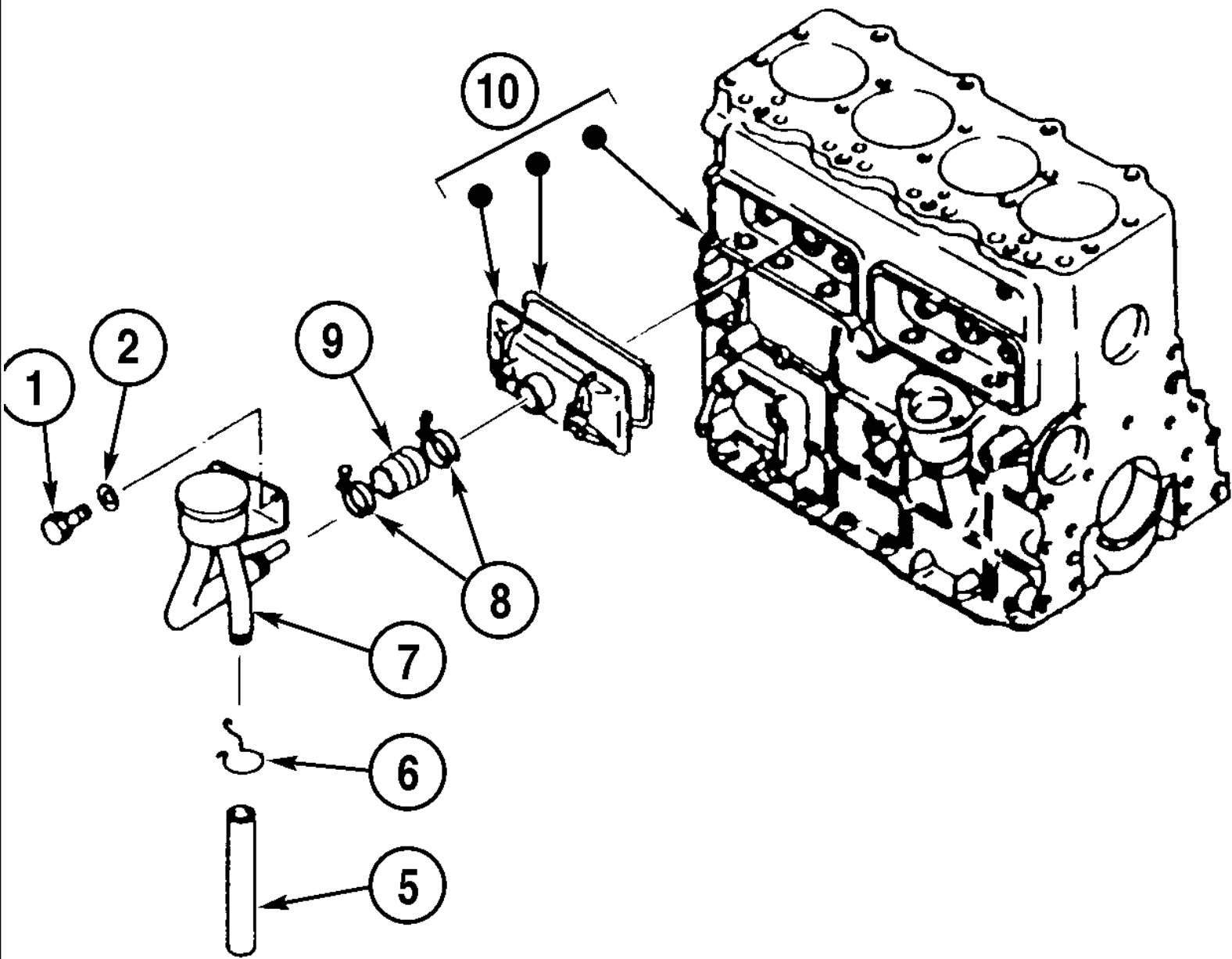
Ref	Part Number	Qty	Description
1	289697A1	1	DIPSTICK,
2	288983A1	1	BOLT,
3	288801A1	1	TUBE, , Consists Of Ref. Number 4
4	289418A1	2	PACKING,
5	87436833	1	GASKET,
6	362154A1	24	BOLT,
7	288840A1	1	PAN, ENGINE OIL, , Consists Of Ref. Numbers 8, 9
8	289820A1	1	PLUG,
9	288713A1	1	GASKET,



CX130 CASE CRAWLER EXCAVATOR (EUROPE) (1/03-)

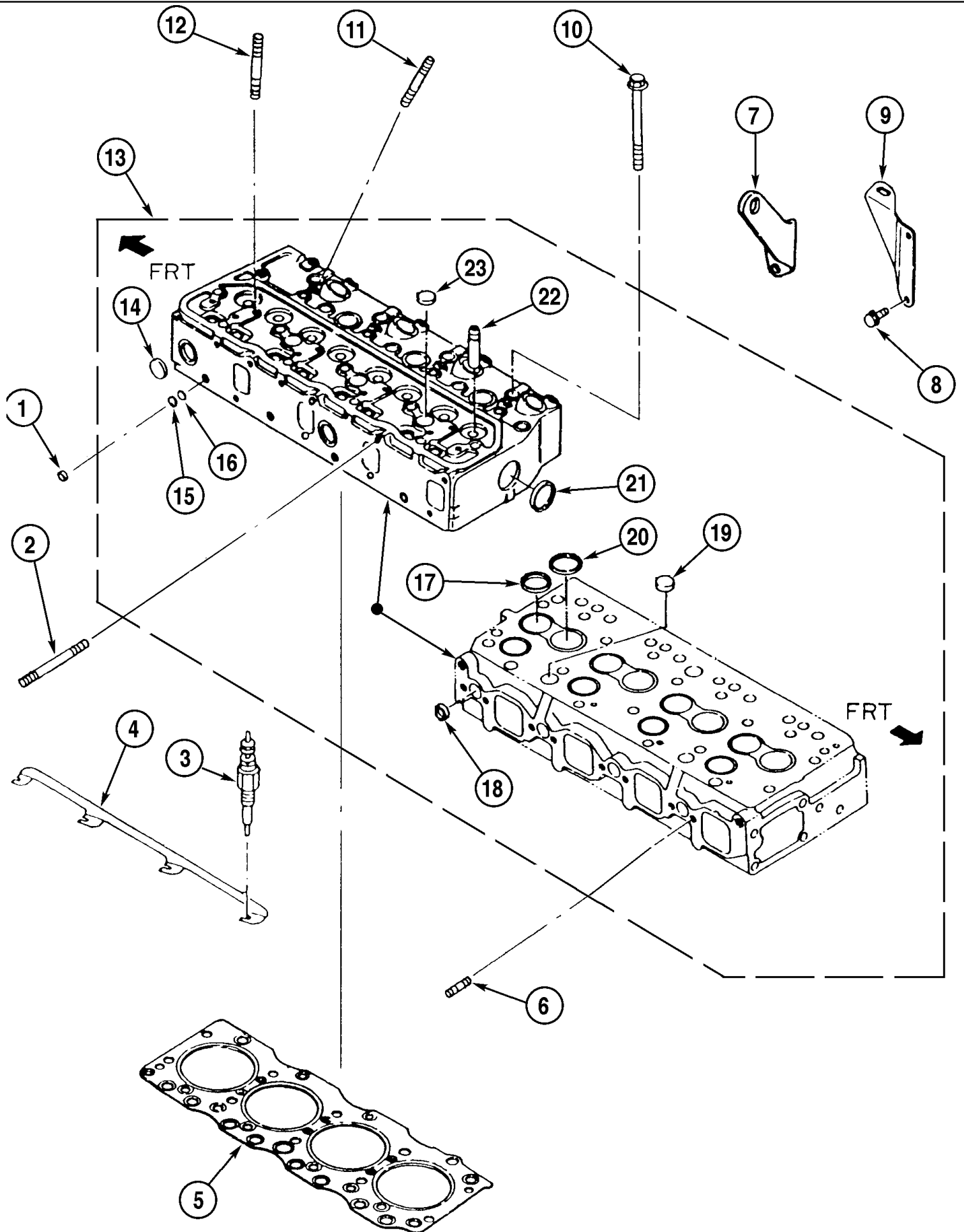
02-039-00(01) CYLINDER HEAD COVER

Ref	Part Number	Qty	Description
1	288833A1	1	COVER, VALVE, , Consists Of Ref. Number 2
2	288798A1	1	CAP, FILLER, , Consists Of Ref. Number 3
3	288797A1	1	GASKET,
4	289855A1	3	NUT,
5	446995A1	3	PACKING,
6	288779A1	1	GASKET,
7	289857A1	3	WASHER,



02-041-00(01) CYLINDER BLOCK

Ref	Part Number	Qty	Description
1	288983A1	2	BOLT,
2	289794A1	2	WASHER,
5	288792A1	1	PIPE ASSY.,
6	289425A1	1	CLIP,
7	418905A1	1	BREATHER,
8	288858A1	1	COLLAR CLAMP,
8	288715A1	1	CLIP,
9	288835A1	1	HOSE, LARGE,
10	REF	1	INSTRUCTION, , Block, Cylinder, See Page(s) 02-049-00-01



BUY NOW

**Then Instant Download
the Complete Manual
Thank you very much!**