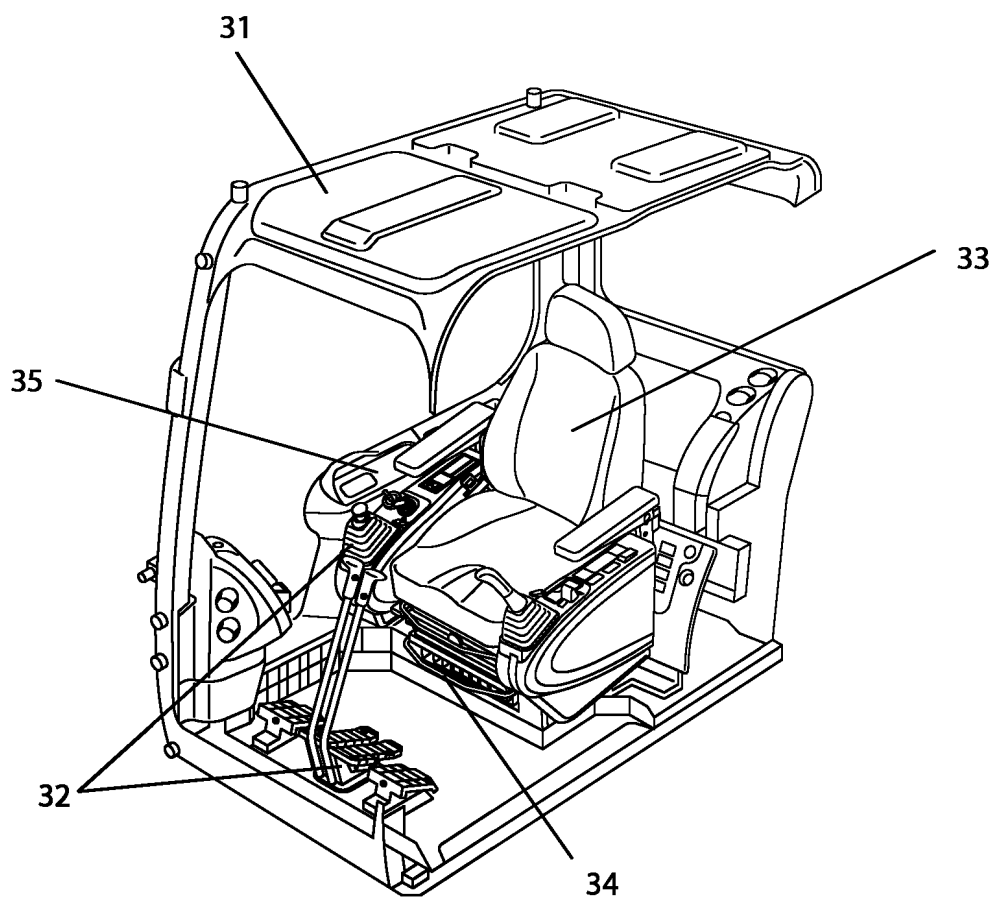
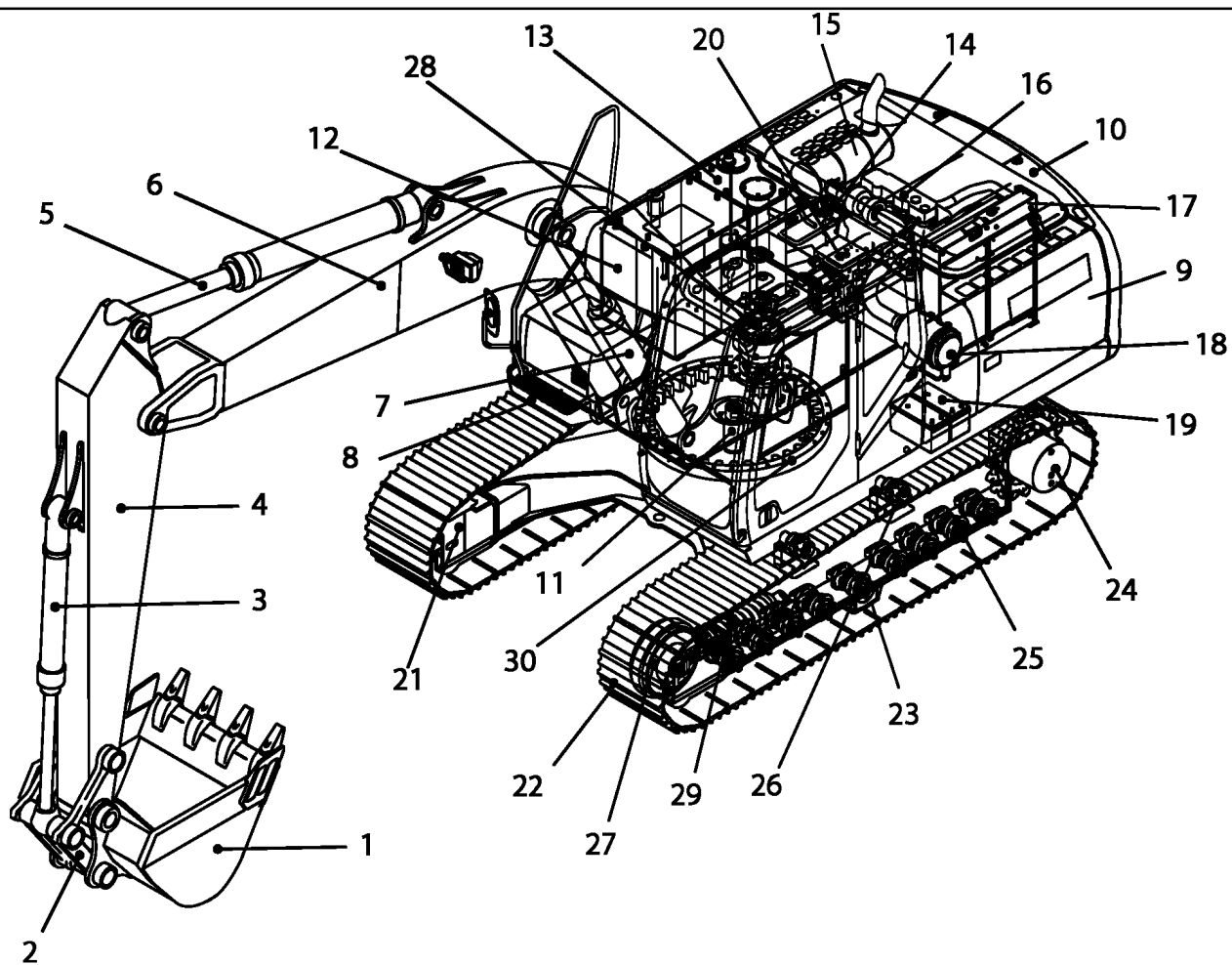




PARTS CATALOGUE

CRAWLER EXCAVATOR
CX210B



CX210B CRAWLER EXCAVATOR - TIER III (EUROPE) (1/07-)

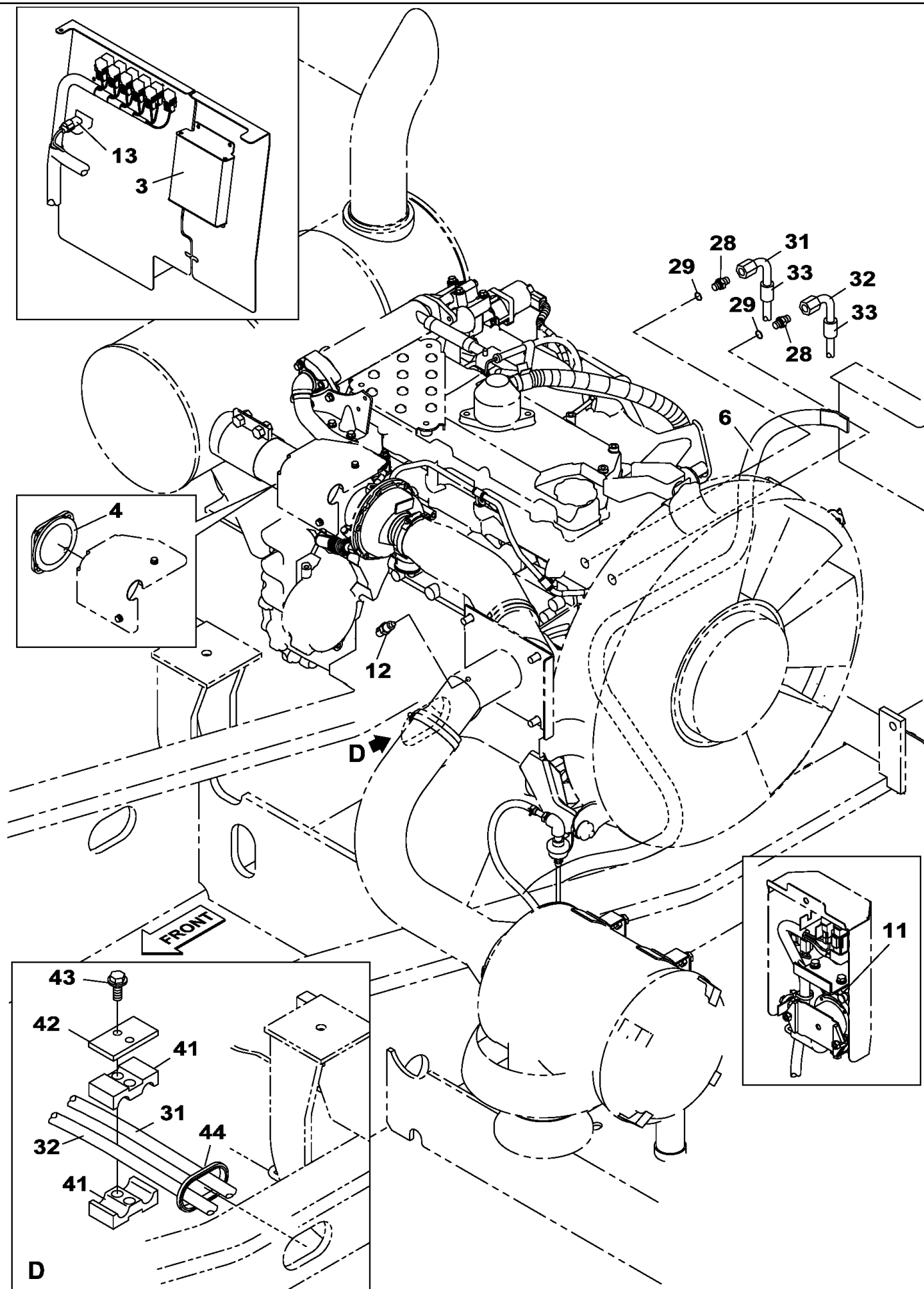
00-001-00(01) COMPONENT INDEX

Ref	Part Number	Qty	Description
1		1	BUCKET - See Figure(s) 09-310-00 01 - 09-316-02 01
2		1	BUCKET CONTROL - See Figure(s) 09-300-00 01, 09-317-00 01
3		1	BUCKET CYLINDER - See Figure(s) 08-021-00 01, 08-303-00 01
4		1	DIPPER - See Figure(s) 09-201-00 01, 09-204-00 01
5		1	DIPPER CYLINDER - See Figures 08-017-00 01, 08-018-00 01, 08-302-00 1, 08-302-01 01
6		1	MONOBLOCK BOOM - See Figure(s) 09-100-00 01
7		1	BOOM CYLINDER - See Figure(s) 08-013-00 01 - 08-014-01 01, 08-300-00 01 - 08-301-01 01
8		1	UPPERSTRUCTURE CHASSIS - See Figure(s) 09-002-00 01, 09-003-00 01
9		1	COWLING - See Figure(s) 09-005-00 01 - 09-008-00 01
10		1	COUNTERWEIGHT - See Figure(s) 09-004-00 01
11		1	SWING JOINT - See Figure(s) 07-010-00 01
12		1	FUEL TANK, FUEL SYSTEM - See Figure(s) 03-001-00 01 - 03-086-01 01
13		1	HYDRAULIC RESERVOIR, HYDRAULIC SYSTEM - See Figure(s) 08-001-00 01, 08-004-00 01 - 08-067-00 01
14		1	HYDRAULIC PUMP - See Figure(s) 08-002-00 01, 08-003-00 01
15		1	EXHAUST ENGINE - See Figure(s) 02-003-00 01
16		1	ENGINE - See Figure(s) 02-001-00 01, 02-005-01 01 To 02-826-01 01
17		1	RADIATOR - See Figure(s) 02-004-00 01, 02-005-00 01
18		1	AIR FILTRATION - See Figure(s) 02-002-00 01
19		1	BATTERIES, ELECTRICAL SYSTEM - See Figure(s) 04-001-00 01 To 04-815-01 01
20		1	CONTROL VALVE - See Figure(s) 08-200-00 01 To 08-206-00 01
21		1	UNDERCARRIAGE, HYDRAULIC CIRCUIT For CX210B LC - See Figure(s) 05-001-00 01, 07-001-00 01
21		1	UNDERCARRIAGE, HYDRAULIC CIRCUIT For CX210B NLC - See Figure(s) 05-001-01 01, 07-001-01 01
22		1	TRACK FOOT STEP - See Figure(s) 05-006-00 01 To 05-008-00 01
23		1	GUIDE, CHAIN - See Figure(s) 05-011-00 01, 05-011-01 01
24		1	TRAVEL MOTOR AND REDUCTION GEAR - See Figure(s) 06-001-00 01, 06-010-00 01, 07-011-00 01 07-012-00 01
25		1	ROLLER LOWER - See Figure(s) 05-003-00 01
26		1	ROLLER UPPER - See Figure(s) 05-002-00 01
27		1	GUIDE PULLEY - See Figure(s) 05-004-00 01
28		1	SWING MOTOR-DRIVE REDUCTION GEAR - See Figure(s) 06-002-00 01, 08-220-00 01
29		1	TENSION DAMPER - See Figure(s) 05-005-00 01
30		1	SWING COMPONENTS, LUBRICATION CIRCUIT - See Figure(s) 09-001-00 01
31		1	OPERATORS COMPARTMENT, CAB - See Figure(s) 04-011-00 01, 09-029-00 01 To 09-032-00 01
32		1	OPERATORS COMPARTMENT, LEVER, CONTROL - See Figure(s) 09-009-00 01
33		1	OPERATORS COMPARTMENT - SEAT AND CONTROL ARM MOUNTING - See Figure(s) 09-017-00 01 To 09-023-00 01
34		1	CAB AIR CONDITIONING - See Figure(s) 09-025-00 01 To 09-028-00 01
35		1	SIDE INSTRUMENT PANEL - See Figure(s) 09-029-00 01

CX210B CRAWLER EXCAVATOR - TIER III (EUROPE) (1/07-)

02-001-00(01) ENGINE MOUNTING - ENGINE - OIL CIRCUIT

Ref	Part Number	Qty	Description
2	KRH11190	1	ENGINE, , Include(s) 5, 7, 9; Also See Figure(s) 02-001-01 01 Ref. 3, 4, 6, 11, 12, 13, Figure(s) 02-005-01 01 To 02- 826-01 01; 03-040-01 01 - 03-042-01 01, 04-060-01 01 To 04-815-01 01
5	REF	1	INSTRUCTION, Belt, See Figure(s) 02-033-01 01 Ref. 36
7	REF	1	INSTRUCTION, Oil Filter, See Figure(s) 02-050 01 01 Ref. 496
9	REF	1	INSTRUCTION, Fuel Filter, See Figure(s) 03-041-01 01 Ref. 1A
14	KRH10990	1	SUPPORT,
15	166347A1	4	BOLT, M10 x 30
16	KRH11000	1	SUPPORT,
17	627-10035	5	BOLT, Hex, M10 x 35, 10.9, Full Thd, M10 x 35; 10.9
18	150409A1	5	WASHER,
19	KRH10130	1	SUPPORT,
20	KRH10140	1	SUPPORT,
21	166373A1	8	BOLT, M16 x 40
22	KRH10870	4	SILENTBLOC,
23	KRH10860	4	SILENTBLOC,
24	KRH10190	4	PLATE,
25	827-16130	4	BOLT, Hex, M16 x 130, 10.9, M16 x 130; 10.9
26	150814A1	4	WASHER,
27	KRH1251	4	NUT,
34	157580A1	2	ELBOW, 90°, 3/4" O-Ring x 3/4", , Include(s) 35
35	154503A1	1	O-RING,
36	152012A1	1	CONNECTOR, , Include(s) 37
37	154503A1	1	O-RING,
38	102R008Y110R	2	BOLT, M8 x 110
39	KHH0515	2	BOLT, M8 x 140
40	153081A1	4	WASHER,
45	KRH11050	1	STEP,
46	827-8070	2	BOLT, Hex, M8 x 70, 10.9, M8 x 70; 10.9
47	827-8040	1	BOLT, Hex, M8 x 40, 10.9, M8 x 40; 10.9
48	153081A1	3	WASHER,



CX210B CRAWLER EXCAVATOR - TIER III (EUROPE) (1/07-)

02-001-01(01) ENGINE MOUNTING - ENGINE - OIL CIRCUIT

Ref	Part Number	Qty	Description
3	REF	1	INSTRUCTION, Controler, See Figure(s) 04-060-02 01 Ref. 613
4	KRH10570	1	GASKET, Gasket
6	REF	1	INSTRUCTION, Harness, See Figure(s) 04-810-01 01 Ref.13A
11	REF	1	INSTRUCTION, Relay, See Figure(s) 04-060-02 01 Ref. 424
12	REF	1	INSTRUCTION, Sensor, See Figure(s) 04-060-02 01 Ref. 796
13	REF	1	INSTRUCTION, Sensor, See Figure(s) 04-060-01 01 Ref. 797
28	151654A1	2	ADAPTER, 3/4" NPT O-Ring x 3/4" NPT, , Include(s) 29
29	154503A1	1	O-RING,
31	KRH11090	1	HOSE ASSY., 1220 mm
32	KRH10330	1	HOSE ASSY., 1350 mm
33	KBR0819	2	SHEATH, FLEXIBLE,
41	KRH10200	2	CLAMP,
42	KRH10210	1	PLATE,
43	166347A1	2	BOLT,
44	MMA1011	1	SEAL PROTECTION,

BUY NOW

**Then Instant Download
the Complete Manual.**

Thank you very much!

Have questions.

Please write to me.

aservicemanuapdf@yahoo.com