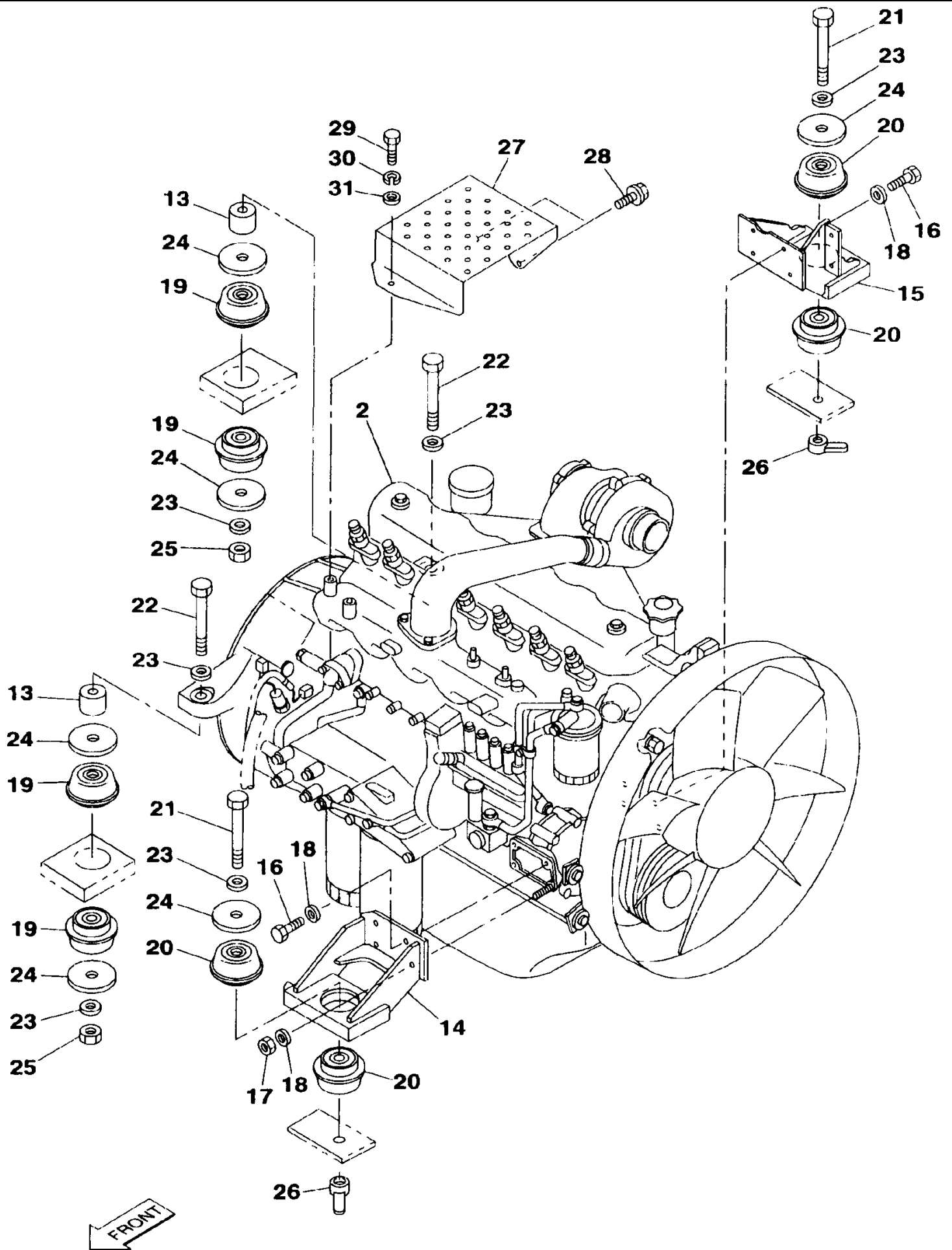




PARTS CATALOGUE

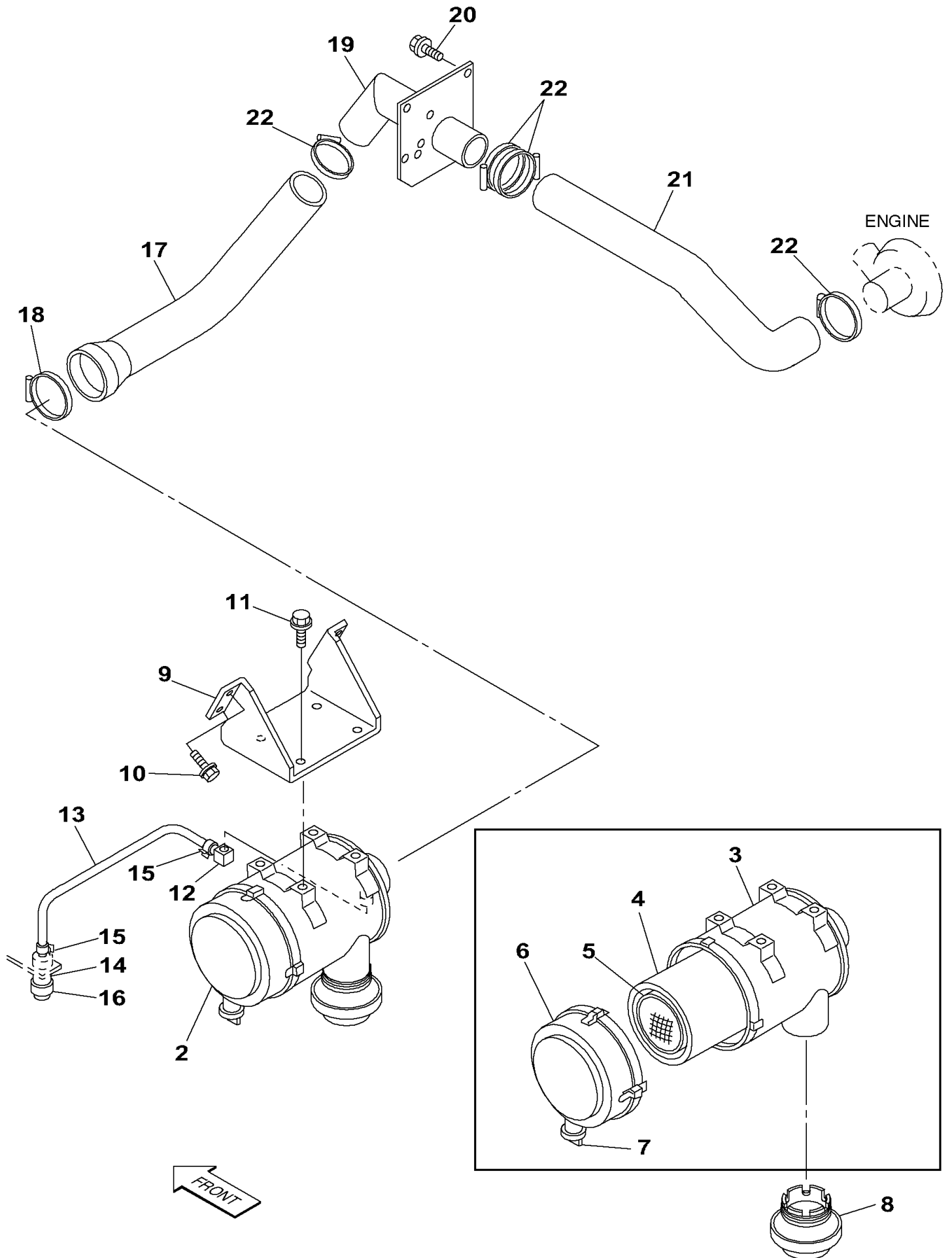
CRAWLER EXCAVATOR
CX225SR



CX225SR CASE CRAWLER EXCAVATOR (EU)

02-003-00(01) ENGINE MOUNTING - ENGINE

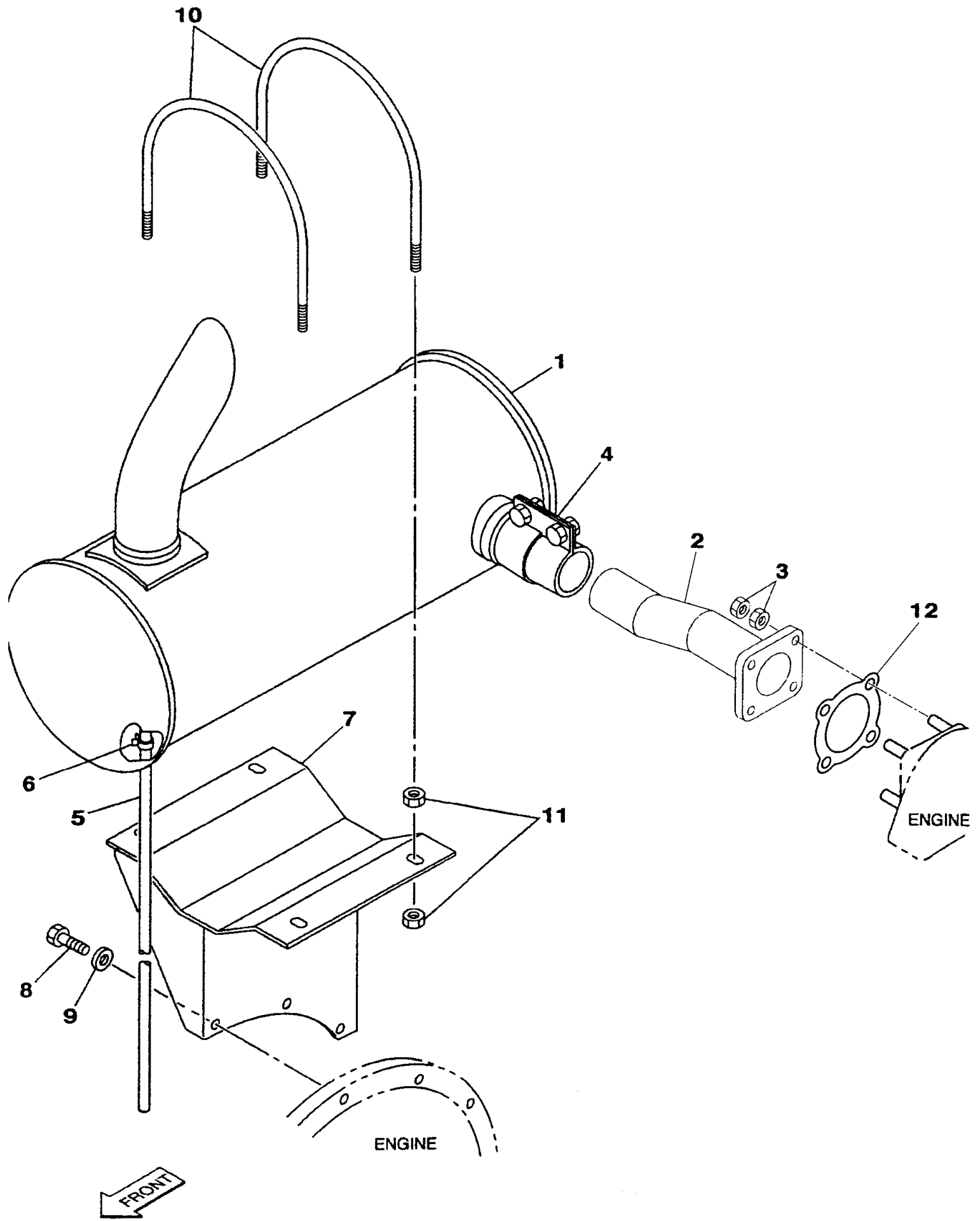
Ref	Part Number	Qty	Description
2	KRH1493	1	ENGINE ASSY, , Until DCH22U0157, See Page(s) 02-013-00 01, 02-019-00 01, 02-033-00 01, 03-011-00 01, 03-019-00 01, 04-029-00 01
2	KRH1641	1	ENGINE, , DCH22U0158 And After, See Page(s) 02-013-00 01, 02-019-00 01, 02-033-00 01, 03-011-00 01, 03-019-00 01, 04-029-00-01
13	167984A1	2	SPACER,
14	KRH1341	1	SUPPORT,
15	KHH0485	1	SUPPORT,
16	159657A1	7	BOLT, M10 x 20; 10.9
17	153604A1	1	NUT,
18	150409A1	8	WASHER, 10,5 x 21 x 3,2 mm
19	KRH1225	4	RUBBER BLOCK,
20	KRH1226	4	RUBBER BLOCK,
21	827-16140	2	BOLT, Hex, M16 x 140, 10.9, M16 x 140; 10.9
22	828-16210	2	BOLT, Hex, M16 x 210, 10.9, M16 x 210; 10.9
23	150814A1	6	WASHER, 17 x 32 x 4,5 mm
24	KRH1256	6	PLATE,
25	829-1416	2	NUT, M16, CI 10, M16; 10
26	KRH1251	2	NUT, M16
27	KRH1261	1	STEP,
28	167518A1	2	BOLT,
29	166355A1	1	BOLT,
30	892-11010	1	WASHER, LOCK, M10, W10
31	895-11010	1	WASHER, M10 x 20 x 2, M10



CX225SR CASE CRAWLER EXCAVATOR (EU)

02-005-00(01) AIR FILTRATION

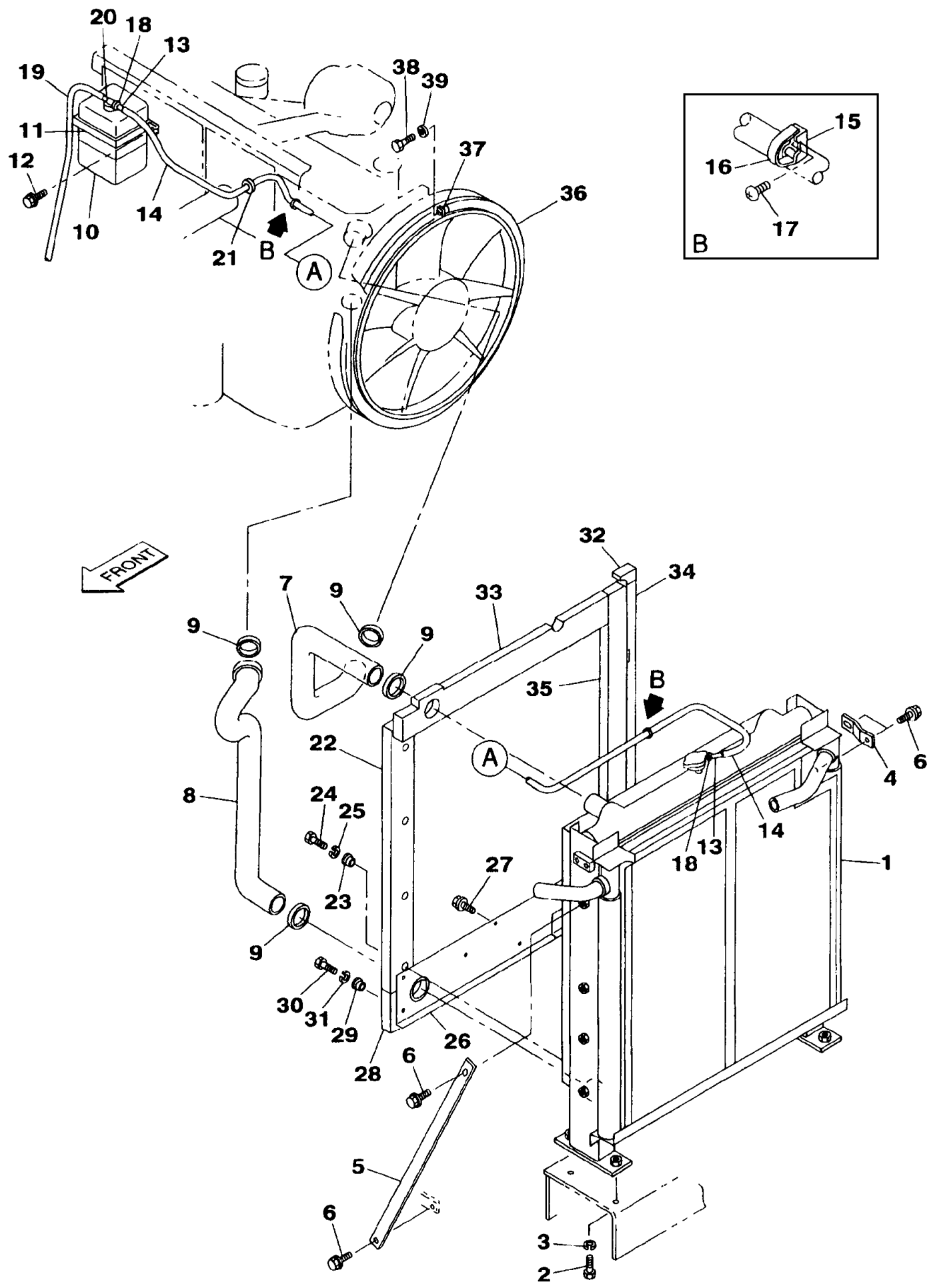
Ref	Part Number	Qty	Description
2	KRH1319	1	AIR CLEANER, , Consists Of Ref. Numbers 3 To 7
3	KRH1248	1	BODY,
4	KRH0652	1	FILTER, AIR,
5	KRH1320	1	FILTER, AIR,
6	KRH1249	1	COVER,
7	KRH1250	1	VALVE,
8	165437A1	1	CAP,
9	KRH1536	1	BREATHER,
10	166351A1	4	BOLT,
11	166052A1	4	BOLT,
12	KRH1237	1	ELBOW,
13	157780A1	1	HOSE,
14	KRH1236	1	SEAL,
15	165951A1	2	CLAMP,
16	KSH0050	1	INDICATOR,
17	KRH1534	1	HOSE, LARGE,
18	150545A1	1	CLAMP,
19	KRH1535	1	BREATHER,
20	166052A1	4	BOLT,
21	KRH1533	1	HOSE, LARGE,
22	150902A1	4	CLAMP,



CX225SR CASE CRAWLER EXCAVATOR (EU)

02-007-00(01) EXHAUST

Ref	Part Number	Qty	Description
1	KRH1459	1	MUFFLER,
2	KRH1480	1	PIPE, EXHAUST SYSTEM,
3	829-1408	8	NUT, M8, CI 10, M8; 10
4	KRH1321	1	CLAMP,
5	157480A1	1	TUBE, 900 mm (35-1/2 in)
6	151367A1	1	CLAMP,
7	KRH1371	1	BRACKET,
8	627-10035	3	BOLT, Hex, M10 x 35, 10.9, Full Thd, M10 x 35; 10.9
9	150409A1	3	WASHER, 10,5 x 21 x 3,2 mm
10	159696A1	2	U-BOLT,
11	150472A1	8	NUT,
12	167996A1	1	GASKET,

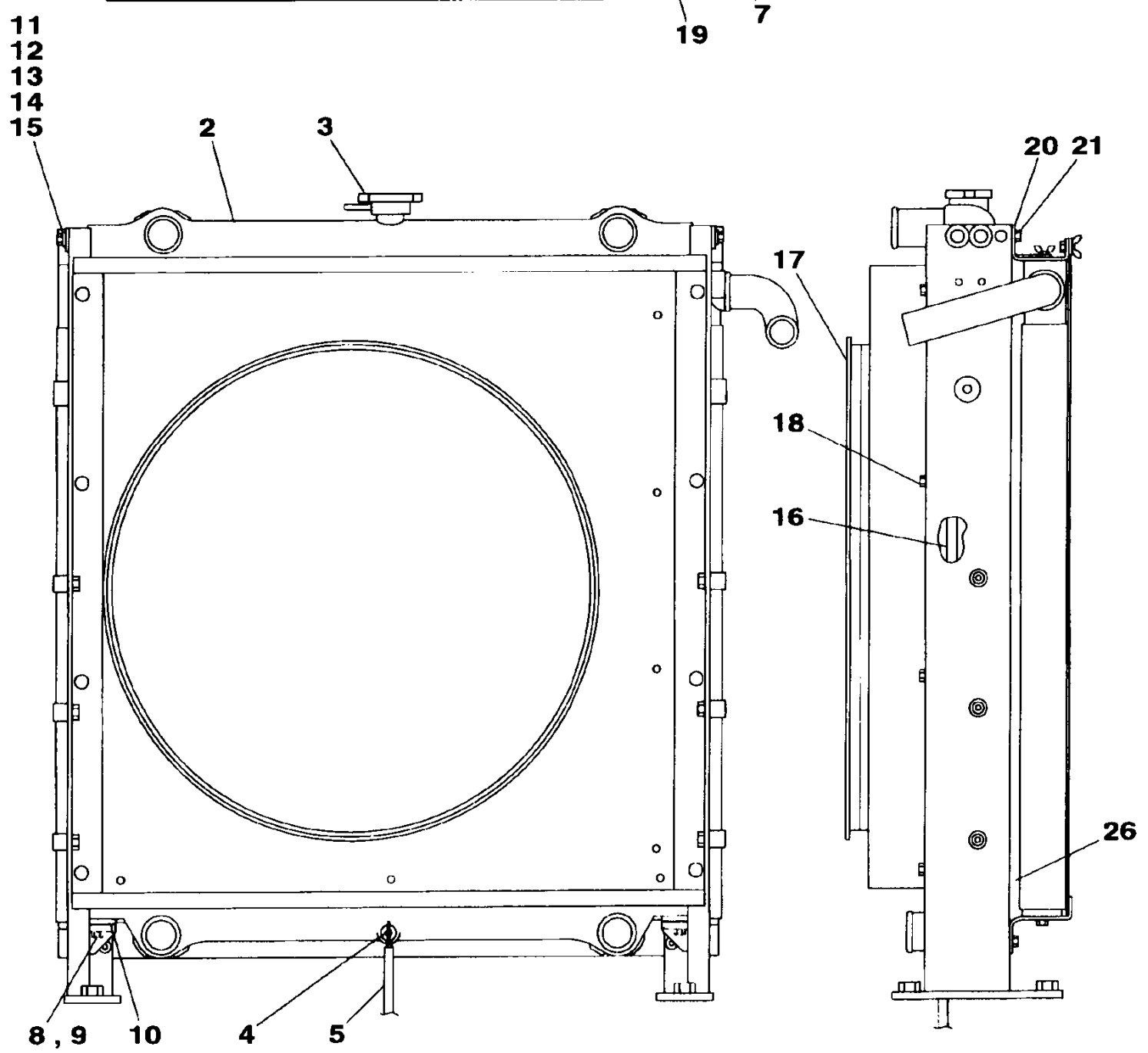
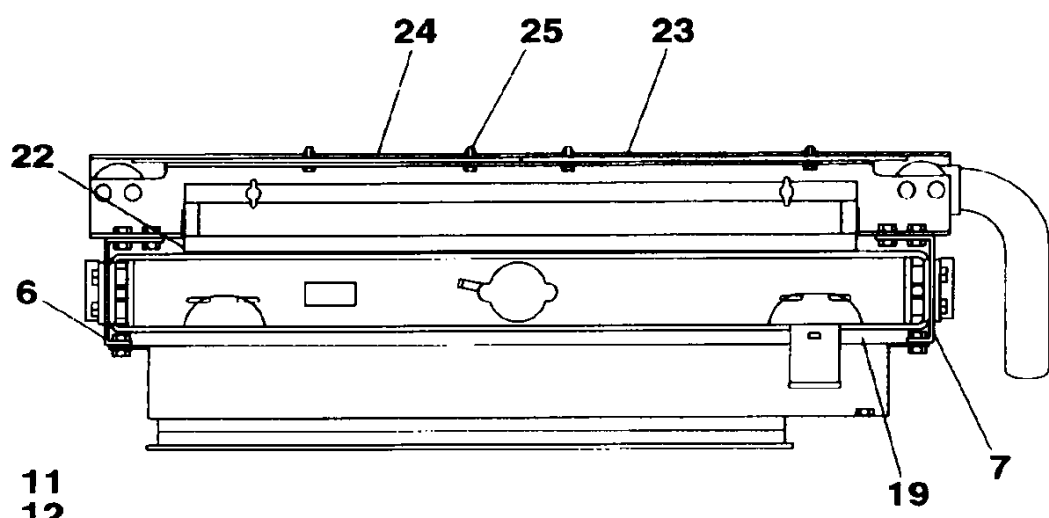


CX225SR CASE CRAWLER EXCAVATOR (EU)

02-009-00(01) WATER CIRCUIT

Ref	Part Number	Qty	Description
1	NSS	1	NOT SERVICED SEPARATELY, , See Page(s) 02-011
2	627-16035	4	BOLT, Hex, M16 x 35, 10.9, Hex, M16 x 35, 10.9
3	150814A1	4	WASHER, 17 x 32 x 4,5 mm
4	KRH1484	1	STAY,
5	KRH1483	1	STAY,
6	152718A1	4	BOLT,
7	KRH1547	1	HOSE, LARGE,
8	KRH1482	1	HOSE, LARGE,
9	165793A1	4	CLAMP,
10	KHH0260	1	TANK,
11	KRH1270	1	HOLDER,
12	166052A1	2	BOLT,
13	150740A1	1	HOSE, LARGE,
14	157138A1	1	TUBE,
15	150860A1	2	CLAMP,
16	150496A1	2	MOUNTING CLIP,
17	840-168	2	SCREW, Cross Pan Hd, M6 x 8,
18	165951A1	2	CLAMP,
19	157487A1	1	HOSE, , Replaced By 150047A1
19	150047A1	1	MOTOR, Hose
20	165952A1	1	MOUNTING CLIP,
21	159363A1	1	GROMMET,
22	KRH1532	1	SEAL,
23	KHH0358	4	RETAINER,
24	827-8040	4	BOLT, Hex, M8 x 40, 10.9,
25	895-11008	4	WASHER, M8 x 16 x 1.6, 9 x 16 x 1,6 mm
26	KRH1548	1	RETAINER, SEAL,
27	166345A1	3	BOLT,
28	KRH1549	1	SEAL,
29	KHH0358	4	RETAINER,
30	827-8040	4	BOLT, Hex, M8 x 40, 10.9,
31	895-11008	4	WASHER, M8 x 16 x 1.6, 9 x 16 x 1,6 mm
32	KRH1492	1	SEAL,
33	KRH1530	1	SEAL,
34	KRH1488	1	SEAL,
35	KRH1531	1	SEAL,
36	KRH1375	1	GASKET,
37	KRH1376	1	MOUNTING CLIP,
38	KRH1377	1	SCREW,
39	895-11005	1	WASHER, M5 x 10 x 1, 5,6 x 10 x 1 mm

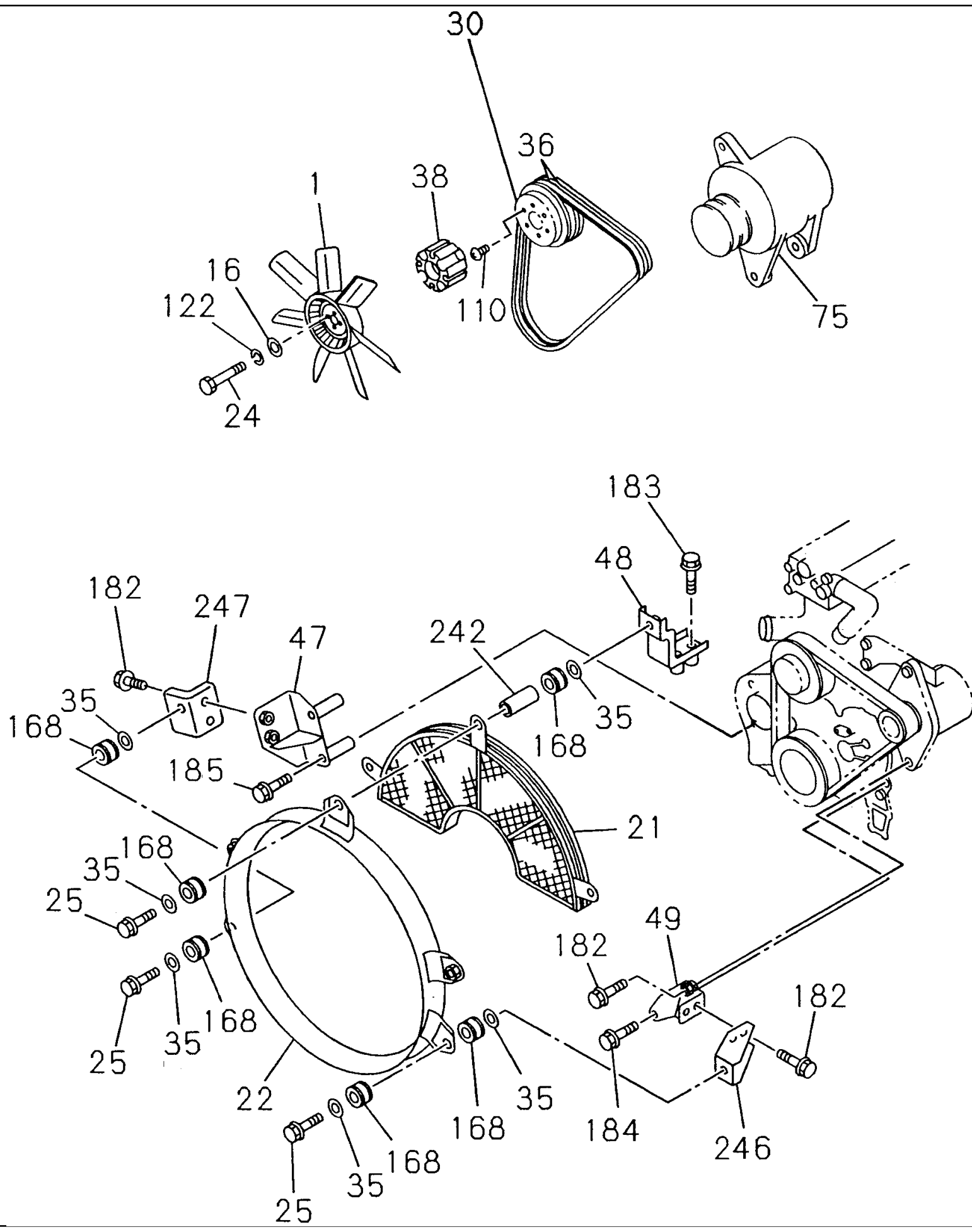
1 [2 , 3 , 4 , 5]



CX225SR CASE CRAWLER EXCAVATOR (EU)

02-011-00(01) RADIATOR

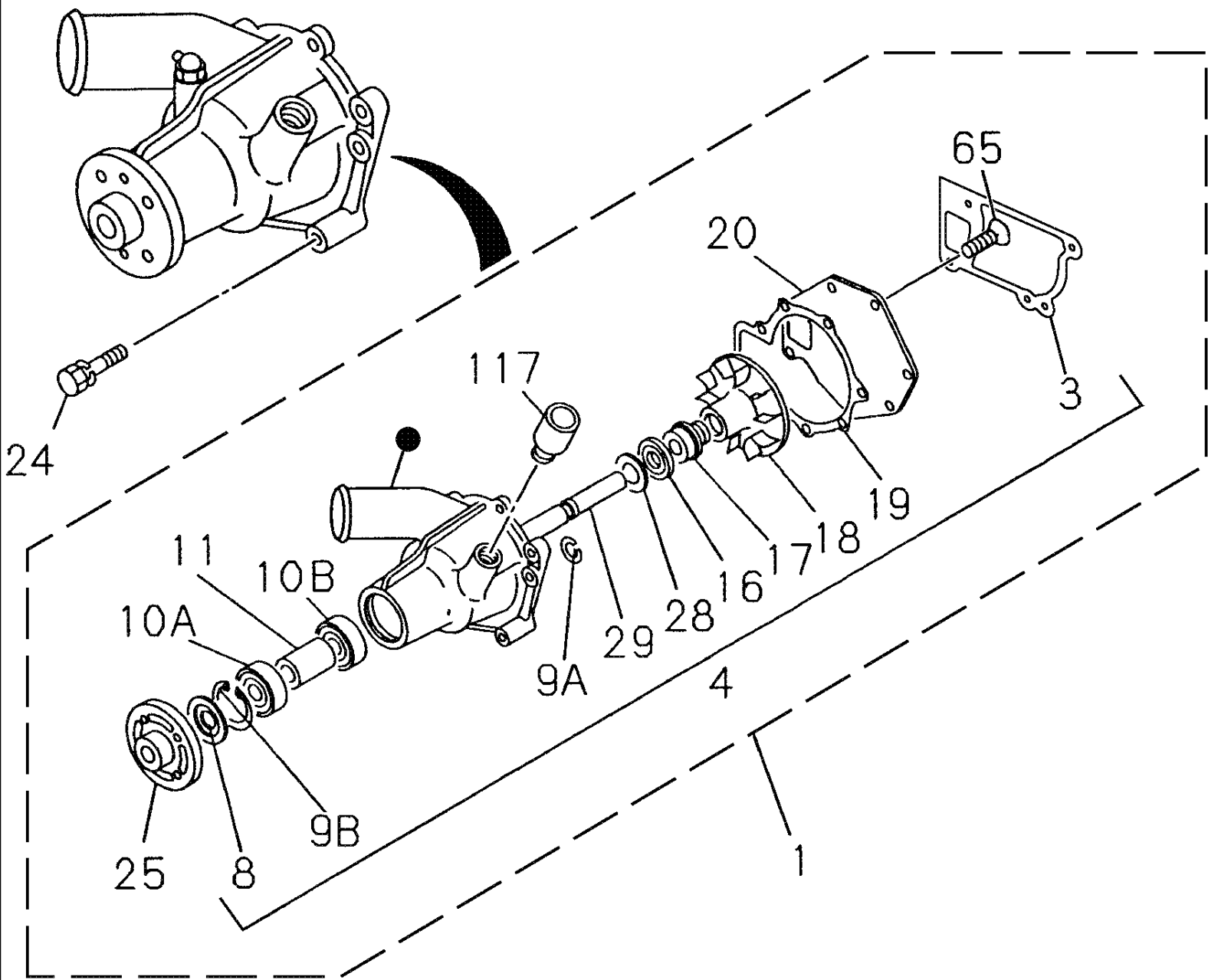
Ref	Part Number	Qty	Description
1	NSS	1	NOT SERVICED SEPARATELY, , Consists Of Ref. Numbers 1 To 26
1	LN00084	1	RADIATOR, , Consists Of Ref. Numbers 2 To 5
2	LN00085	1	RADIATOR,
3	165655A1	1	CAP,
4	LK00283	1	FAUCET,
5	LK00381	1	HOSE, FLEXIBLE,
6	LS00200	1	BRACKET,
7	LS00201	1	BRACKET,
8	LQ00023	2	RUBBER SEAL,
9	LA00682	2	WASHER,
10	165658A1	2	GEAR WHEEL,
11	LH00318	4	CLAMP,
12	LQ00029	4	RING, PACKING,
13	LA00680	4	WASHER,
14	LQ00030	4	RING, PACKING,
15	LA00688	4	SCREW,
16	LE00987	2	FOAM,
17	LG00427	1	HOUSING, FAN,
18	164554A1	8	BOLT,
19	LE00987	2	FOAM,
20	LN00086	1	COOLER, OIL,
21	164554A1	8	BOLT,
22	LJ00949	1	FOAM,
23	LJ00950	1	FOAM,
24	LJ00951	1	FOAM,
25	LUG0096	6	SCREW,
26	LE00989	2	FOAM,



CX225SR CASE CRAWLER EXCAVATOR (EU)

02-013-00(01) DRIVE BELT GUARD - VENTILATOR

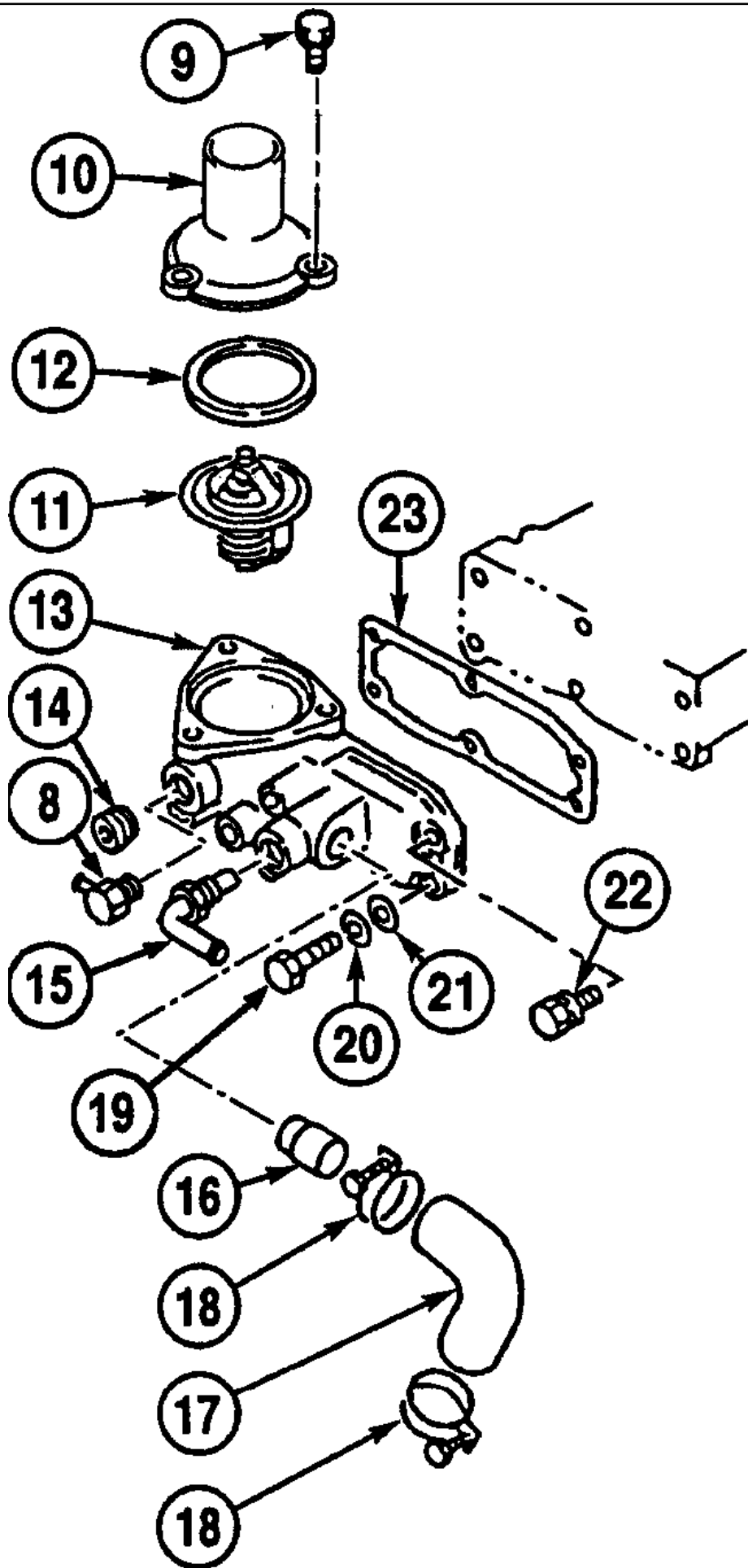
Ref	Part Number	Qty	Description
1	288757A1	1	FAN,
16	289797A1	4	WASHER,
21	419718A1	1	GUIDE,
22	419719A1	1	GUIDE,
24	87405528	4	BOLT,
25	288700A1	3	SCREW, M10 x 45
30	86989710	1	PULLEY,
35	419722A1	6	WASHER,
36	288868A1	1	BELTS, SET OF 2, , DCH22U0101 To DCH22U0149
36	87456836	1	BELT, , DCH22U0150 And After
38	87405630	1	SPACER,
47	87329009	1	BRACKET,
48	419724A1	1	BRACKET,
49	87329010	1	BRACKET,
75	87405690	1	ALTERNATOR, , See Page(s) 04-029-00-01
110	289760A1	2	SCREW, M6 x 10
122	289782A1	4	WASHER, W8
168	419726A1	6	WASHER, RUBBER,
182	289000A1	4	BOLT, M10 x 25; 10.9
183	355652A1	2	SCREW, M10 x 60; 10.9
184	288986A1	1	BOLT, M8 x 50
185	288983A1	2	BOLT, M8 x 12
242	419731A1	3	TUBE,
246	419732A1	1	STAY,
247	419733A1	1	STAY,



CX225SR CASE CRAWLER EXCAVATOR (EU)

02-015-00(01) WATER PUMP

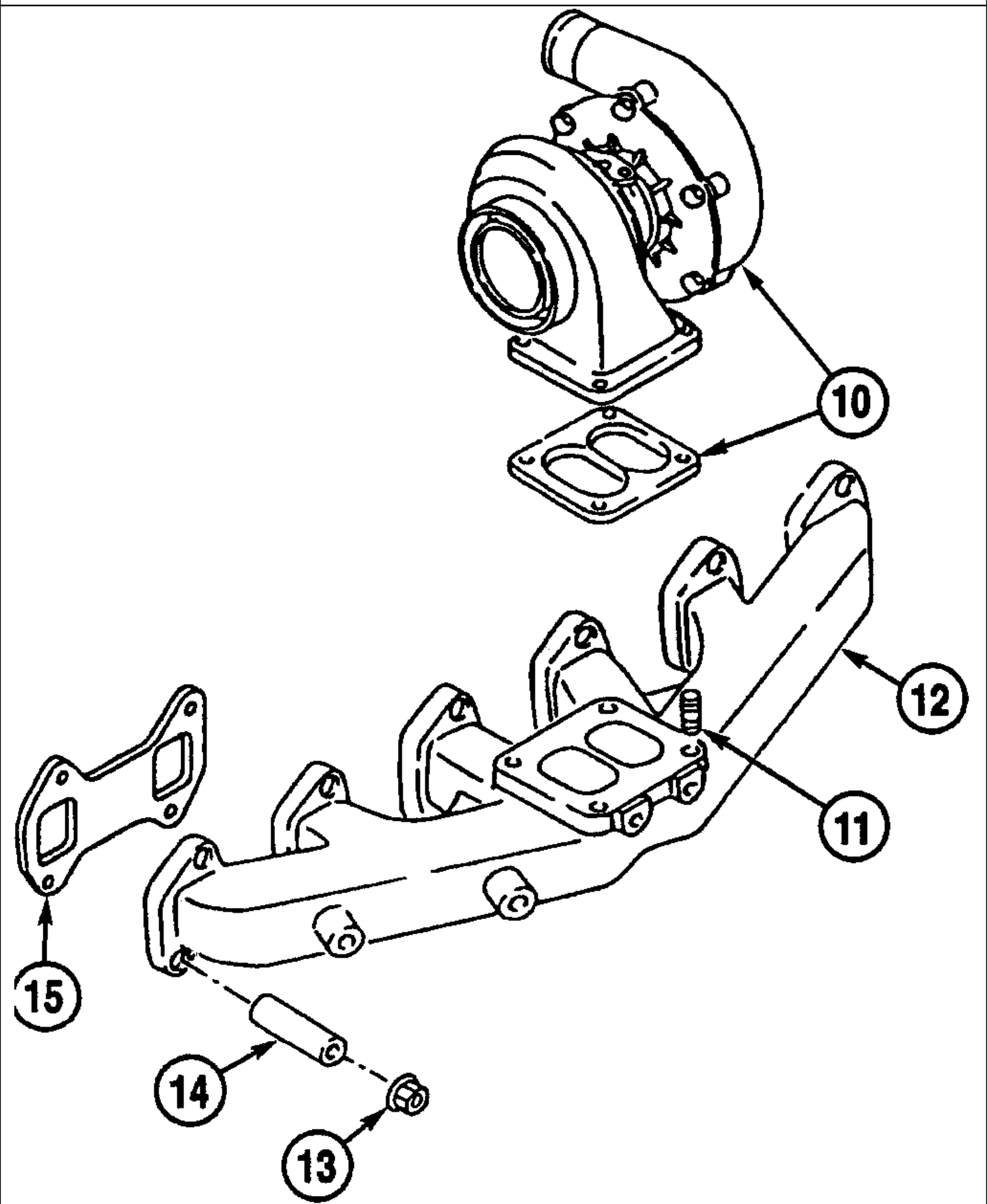
Ref	Part Number	Qty	Description
1	288878A1	1	PUMP, WATER, , Consists Of Ref. Numbers 4, 10A To 20, 25, 65, 117
3	289654A1	1	GASKET,
4	288877A1	1	KIT, GASKET, , Consists Of Ref. Numbers 3, 8, 9A, 9B, 16 To 19, 28, 29
8	289485A1	1	DUST CAP,
9B	289851A1	1	RING,
9C	289801A1	1	RING,
10B	289433A1	1	BEARING,
10C	289432A1	1	BEARING,
11	289484A1	1	SPACER,
16	87438342	1	GASKET,
17	288844A1	1	GASKET,
18	288845A1	1	IMPELLER,
19	288843A1	1	GASKET,
20	288842A1	1	HOOD,
24	288990A1	1	BOLT, M10 x 70
24	288989A1	2	BOLT, M10 x 50
24	289001A1	1	BOLT, M10 x 35
25	289488A1	1	FLANGE,
28	289071A1	1	WASHER,
29	289194A1	1	SHAFT,
65	289759A1	3	SCREW,
117	419713A1	1	CONNECTOR,



CX225SR CASE CRAWLER EXCAVATOR (EU)

02-017-00(01) WATER CIRCUIT - THERMOSTAT

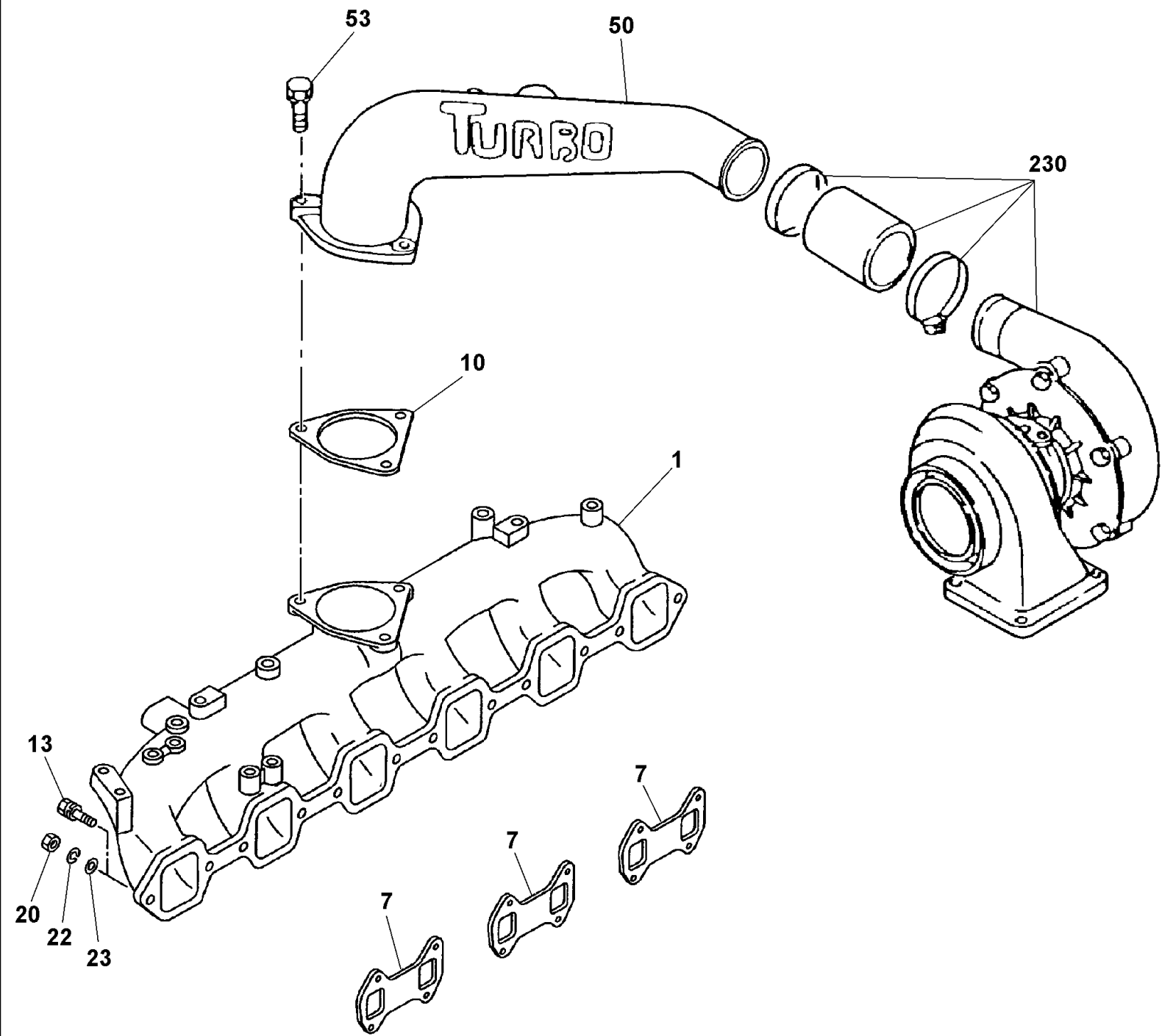
Ref	Part Number	Qty	Description
8	288815A1	1	TUBE,
9	288695A1	1	SCREW, M8 x 22
9	419941A1	2	BOLT, M8 x 35
10	419714A1	1	TUBE,
11	289205A1	1	THERMOSTAT,
12	289204A1	1	PACKING,
13	87405692	1	HOUSING,
14	289415A1	1	PLUG, PT 3/4
15	288816A1	1	TUBE,
16	419717A1	1	TUBE,
17	288834A1	1	HOSE, LARGE,
18	289426A1	2	CLIP,
19	288973A1	3	BOLT, M10 x 95
20	289783A1	3	WASHER,
21	289788A1	3	WASHER,
22	289001A1	1	BOLT, M10 x 35
23	433822A1	1	GASKET,



CX225SR CASE CRAWLER EXCAVATOR (EU)

02-019-00(01) EXHAUST PIPE

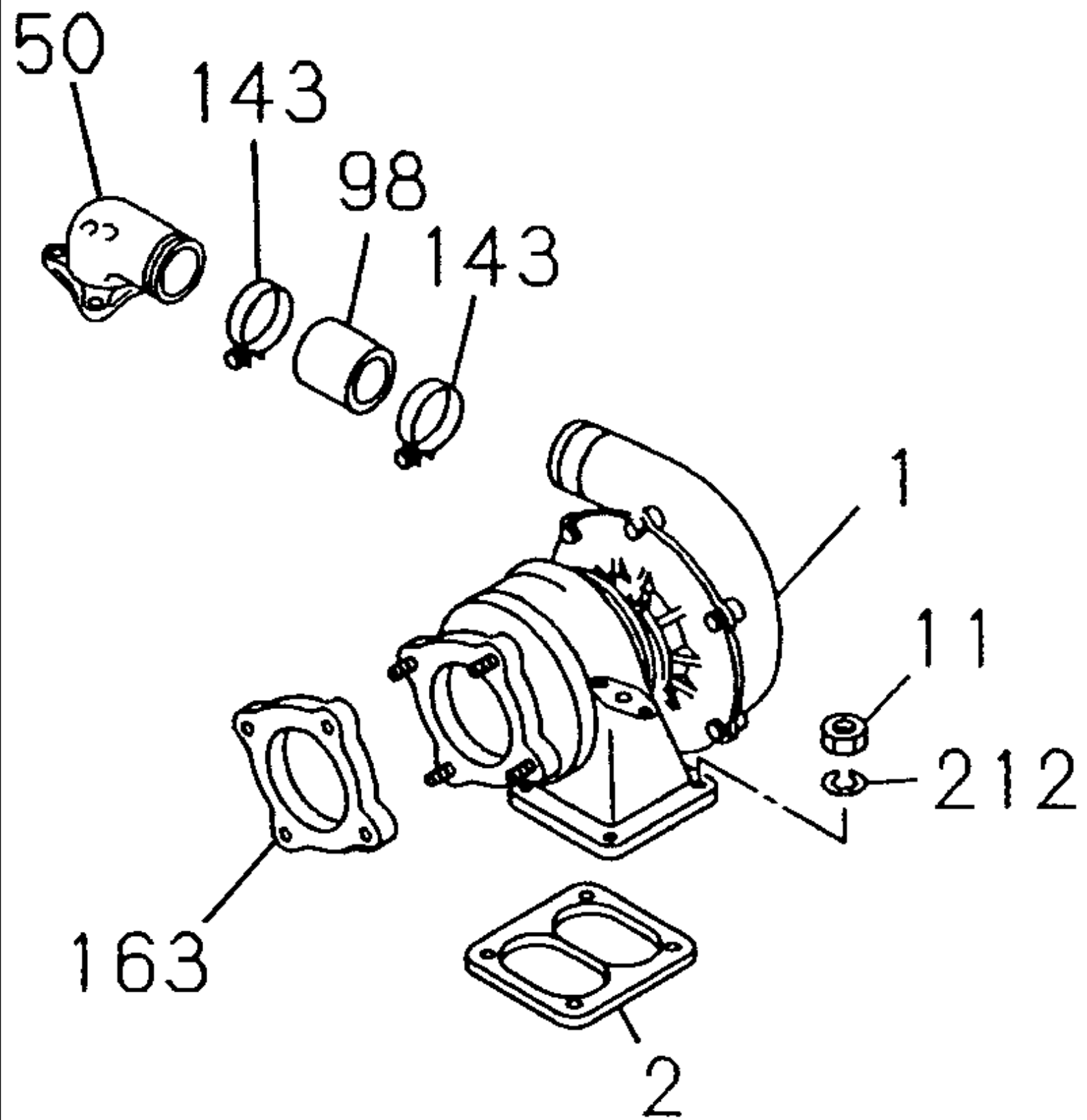
Ref	Part Number	Qty	Description
10	REF	1	INSTRUCTION, , See Page(s) 02-023
11	289765A1	3	STUD, M10 x 40
11	289062A1	1	STUD, M10-1,25
12	289210A1	1	MANIFOLD,
13	289068A1	12	NUT, M8
14	289214A1	12	TUBE,
15	289667A1	3	GASKET,



CX225SR CASE CRAWLER EXCAVATOR (EU)

02-021-00(01) INTAKE PIPE

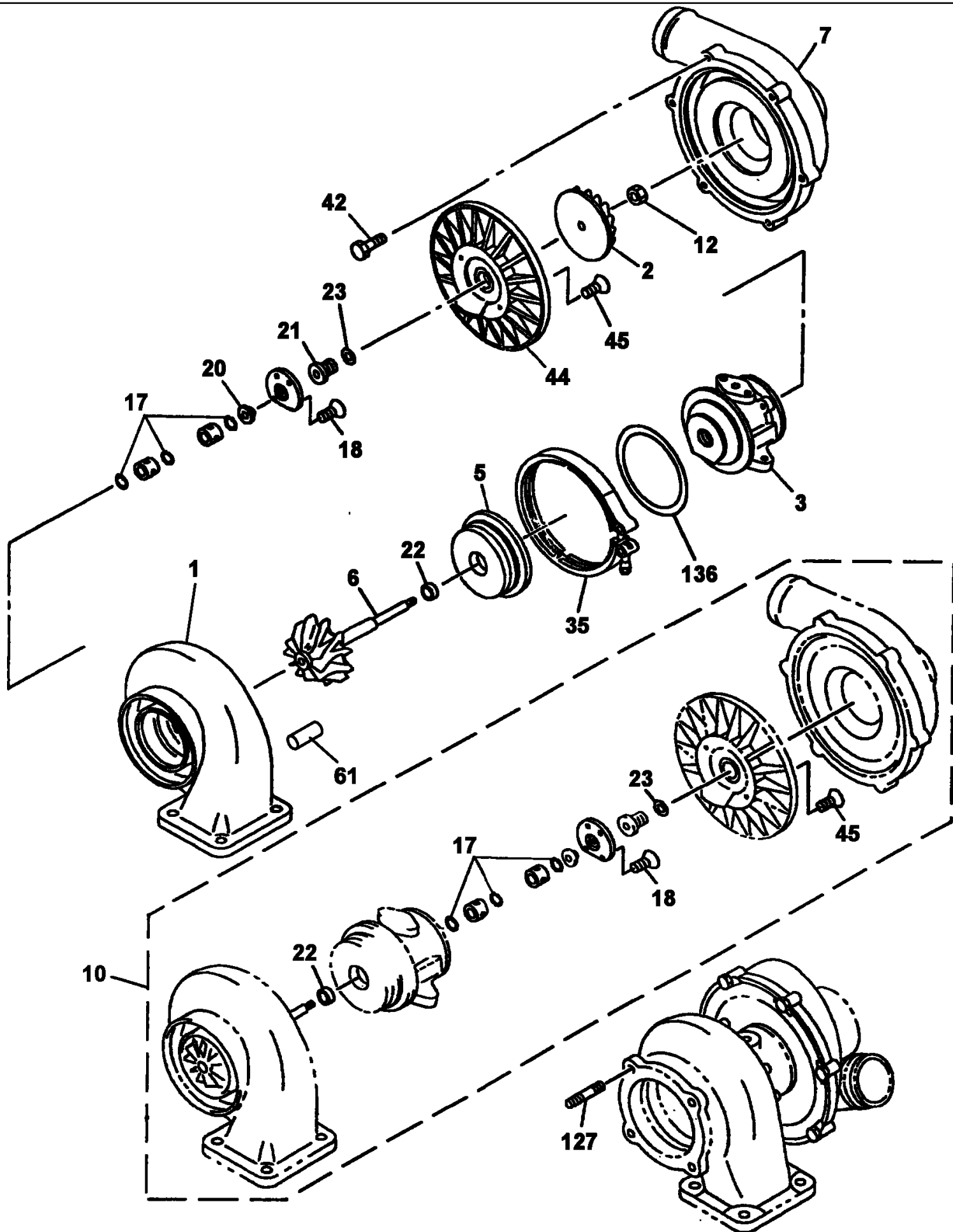
Ref	Part Number	Qty	Description
1	289206A1	1	MANIFOLD,
7	419709A1	3	PACKING, , Replaced By 87448397
7	87448397	3	PACKING,
10	289208A1	1	PACKING,
13	289035A1	6	BOLT, M8 x 28
20	289775A1	6	NUT, M8
22	289782A1	6	WASHER, W8
23	289787A1	6	WASHER, M8
27	447001A1	3	STUD,
50	288761A1	1	END FITTING,
53	288997A1	3	BOLT, M8 x 35; 10,9
54	289782A1	3	WASHER, W8
55	289775A1	3	NUT, M8
192	289787A1	3	WASHER, M8
225	289764A1	2	STUD, M10 x 43
230	REF	1	INSTRUCTION, , See Page(s) 02-023-00-01, 02-025-00-01



CX225SR CASE CRAWLER EXCAVATOR (EU)

02-023-00(01) TURBOCHARGER

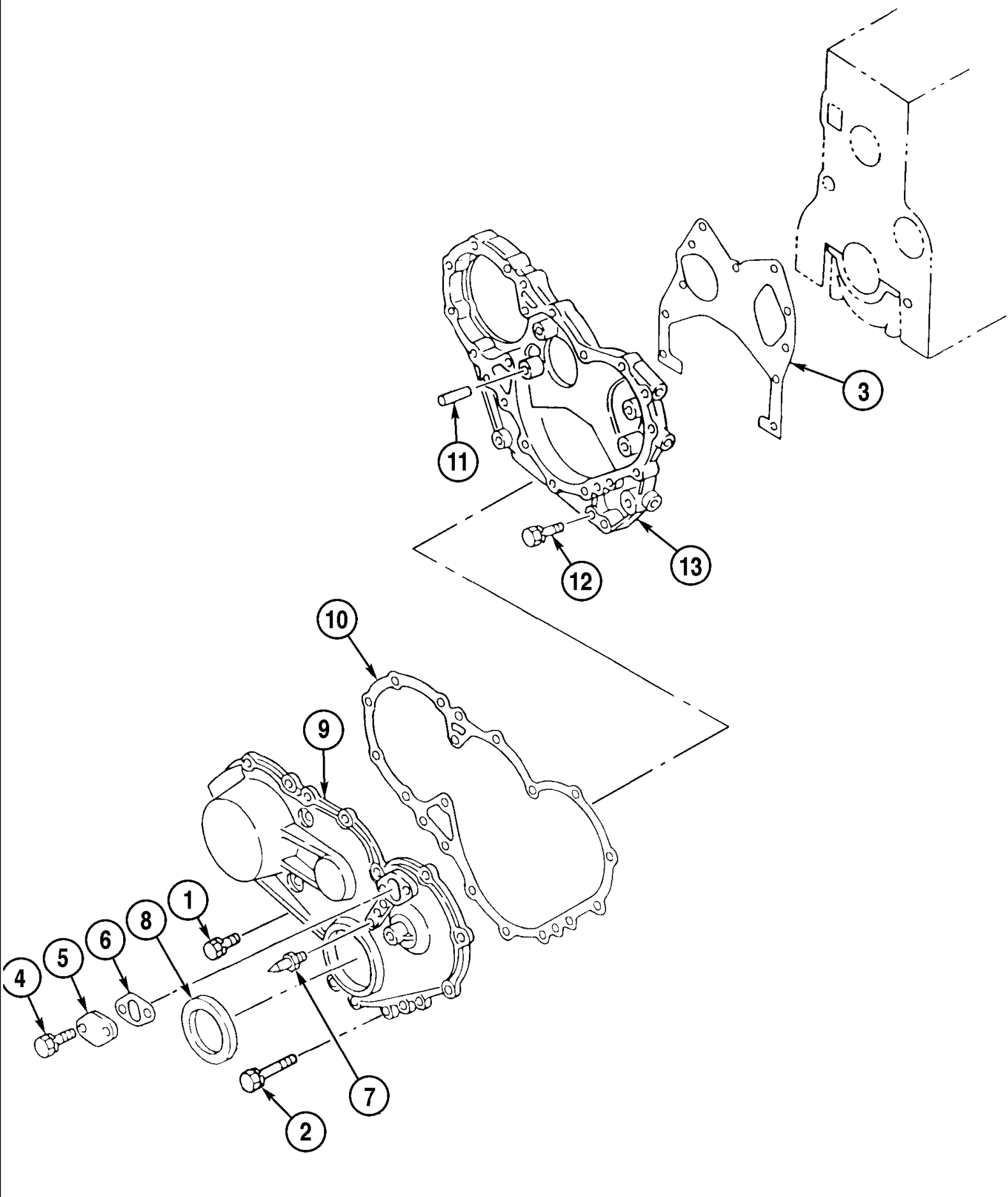
Ref	Part Number	Qty	Description
1	288762A1	1	TURBOCHARGER, , See Page(s) 02-025-00-01
2	289212A1	1	GASKET,
11	289831A1	3	NUT, M10
11	289065A1	1	NUT, M10-1,25
50	288761A1	1	END FITTING, , See Page(s) 02-021-00-01
98	289064A1	1	HOSE,
143	86988790	2	CLIP,
163	289213A1	1	GASKET,
212	289070A1	4	WASHER,



CX225SR CASE CRAWLER EXCAVATOR (EU)

02-025-00(01) TURBOCHARGER

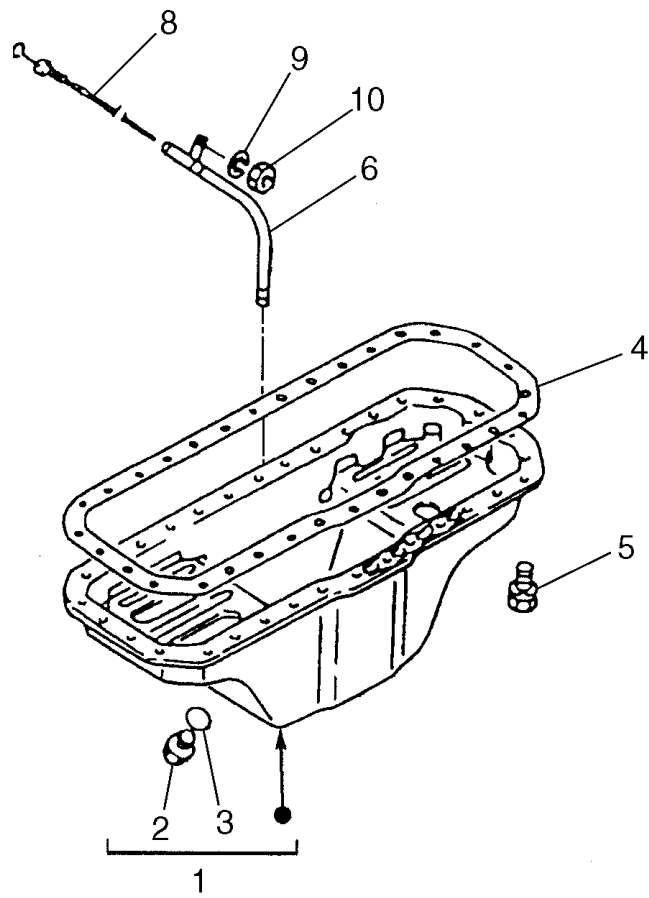
Ref	Part Number	Qty	Description
	288762A1	1	TURBOCHARGER, , Consists Of Ref. Numbers 1 To 136
1	447188A1	1	HOUSING,
2	447189A1	1	IMPELLER,
3	437938A1	1	HOUSING,
5	447190A1	1	PROTECTOR,
6	447191A1	1	SHAFT,
7	447192A1	1	HOUSING,
10	437942A1	1	KIT, , Consists Of Ref. Numbers 17, 18, 22, 23, 45
12	289066A1	1	NUT,
17	289230A1	3	RING,
18	437866A1	4	SCREW,
20	447193A1	1	BUSHING,
21	447194A1	1	SHROUD,
22	289228A1	1	RING,
23	289227A1	1	RING,
35	438169A1	1	CLAMP,
42	447195A1	6	BOLT,
44	87409263	1	TURBINE,
45	437865A1	4	SCREW,
61	438168A1	1	PIN,
127	289763A1	4	BOLT,
136	437937A1	1	GASKET,



CX225SR CASE CRAWLER EXCAVATOR (EU)

02-027-00(01) FRONT TIMING GEAR COVER

Ref	Part Number	Qty	Description
1	288996A1	6	BOLT, M8 x 25; 10.9
2	288986A1	3	BOLT, M8 x 50
3	289658A1	1	PACKING,
4	288982A1	4	BOLT, M6 x 14; 10.9
5	355271A1	2	COVER,
6	355274A1	2	SEAL,
7	289447A1	1	POINTER,
8	289090A1	1	SEAL,
9	289131A1	1	COVER,
10	87405524	1	KIT, ENGINE OVERHAUL,
11	289771A1	1	PIN, dia 10
12	288985A1	2	BOLT, M8 x 45
12	288995A1	4	BOLT, M8 x 20
13	289445A1	1	CASE,

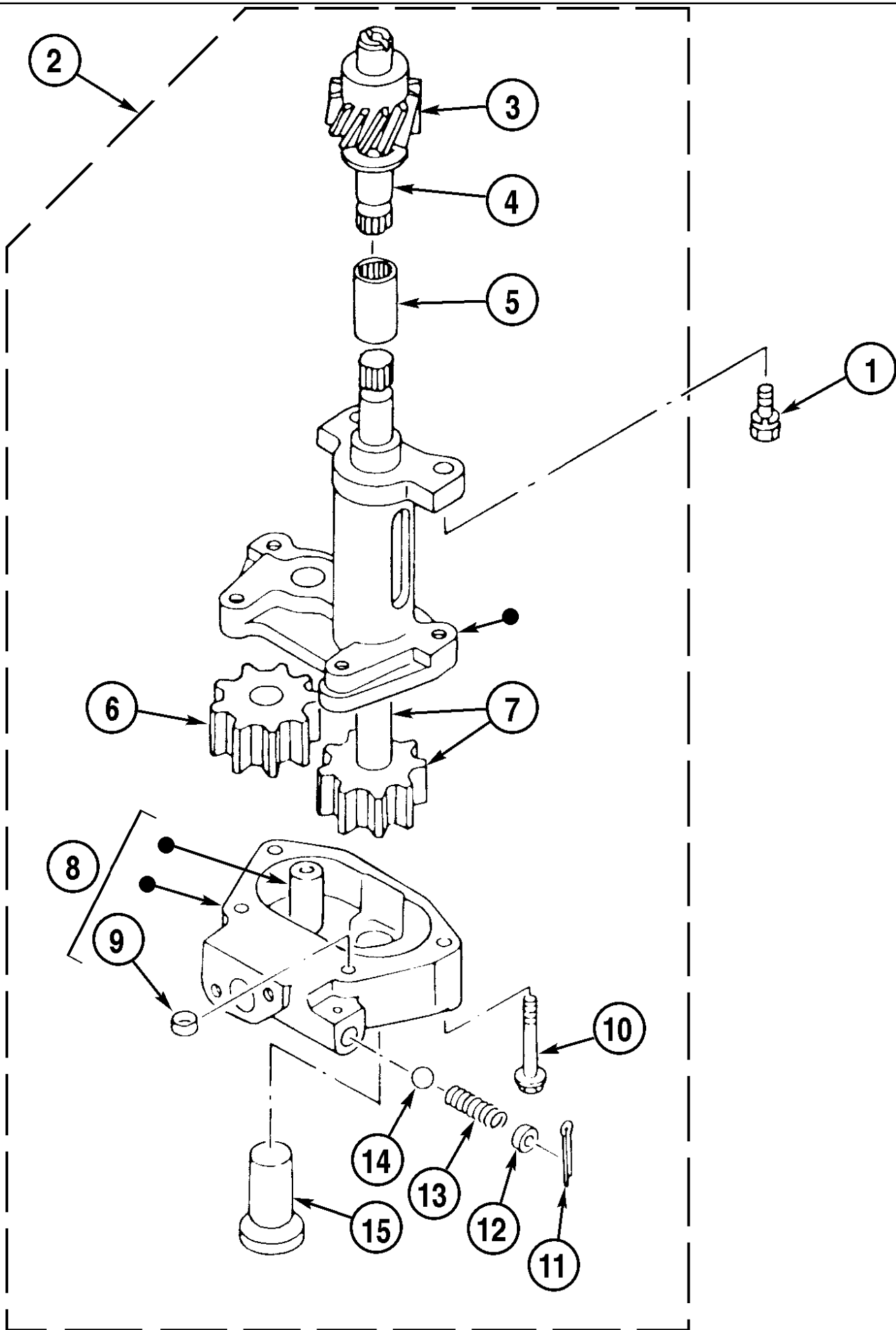


CX225SR CASE CRAWLER EXCAVATOR (EU)

02-029-00(01) OIL PAN

Ref	Part Number	Qty	Description
1	288729A1	1	PAN, ENGINE OIL, , Consists Of Ref. Numbers 2, 3
2	289820A1	1	PLUG,
3	288713A1	1	GASKET,
4	87597152	1	PACKING,
5	362154A1	32	BOLT, M8 x 18
6	288737A1	1	TUBE, , Consists Of Ref. Number 7
7	289418A1	2	GASKET, , Not Illustrated
8	288736A1	1	DIPSTICK,
9	289782A1	1	WASHER, W8
10	289777A1	1	NUT, M8

DCH22U0101 To DCH22U0157



CX225SR CASE CRAWLER EXCAVATOR (EU)

02-031-00(01) ENGINE OIL PUMP

Ref	Part Number	Qty	Description
1	289000A1	2	BOLT, M10 x 25; 10.9
2	289168A1	1	PUMP, ENGINE OIL, , Consists Of Ref. Numbers 3 To 15
3	289172A1	1	PINION,
4	289876A1	1	COLLAR,
5	289171A1	1	COUPLING,
6	289474A1	1	GEAR,
7	289473A1	1	GEAR,
8	289169A1	1	COVER, , Consists Of Ref. Number 9
9	289170A1	1	BUSHING,
10	289052A1	4	BOLT, M5 x 60
11	289769A1	1	PIN,
12	289475A1	1	SEAT,
13	289413A1	1	SPRING,
14	289435A1	1	BALL,
15	289173A1	1	STRAINER ASSY.,

BUY NOW

**Then Instant Download
the Complete Manual
Thank you very much!**