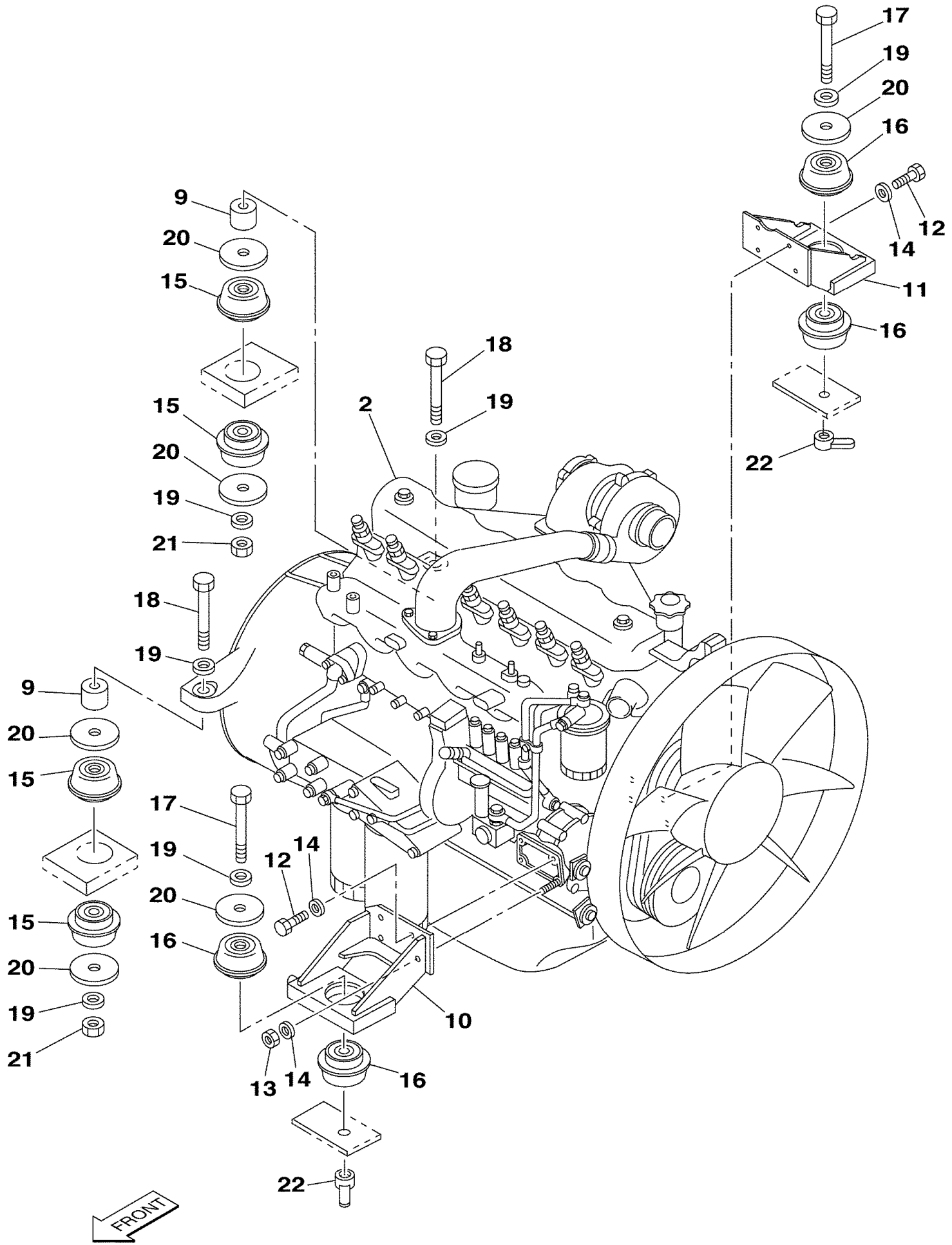




PARTS CATALOGUE

CX240
CASE CRAWLER EXCAVATOR



- 9
- 20
- 15
- 15
- 20
- 19
- 21

- 9
- 20
- 15
- 15
- 20
- 19
- 21

- 18
- 19

- 17
- 19
- 20
- 16

- 12
- 14
- 13
- 14

- 22

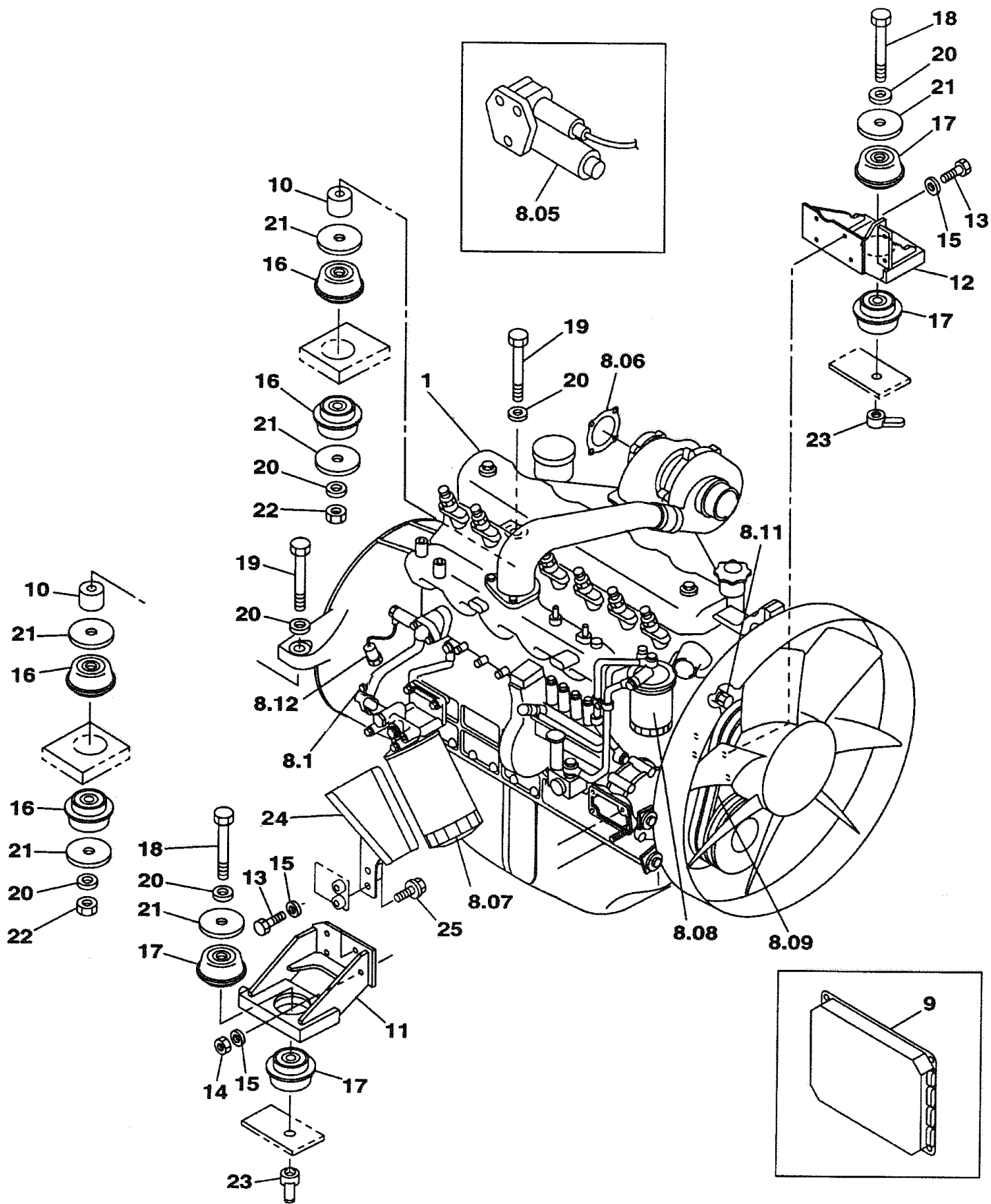
- 17
- 19
- 20
- 16
- 12
- 14
- 11
- 16
- 22

CX240 CASE CRAWLER EXCAVATOR (EUROPE)

02-003-00(01) ENGINE MOUNTING - ENGINE

Ref	Part Number	Qty	Description
2	KBH0878	1	MOTOR, , See Page(s) 02-015-00-01 To 02-045-00-01, 03-009-00-01 To 03-025-00-01, 04-027-00-01To 04-043-00-01
9	167984A1	2	SPACER,
10	KRH1341	1	SUPPORT,
11	KHH0485	1	SUPPORT,
12	159657A1	7	BOLT, , M10 x 20; 10.9
13	153604A1	1	NUT,
14	150409A1	8	WASHER, , 10,5 x 21 x 3,2 mm
15	KRH1225	4	RUBBER BLOCK,
16	KRH1226	4	RUBBER BLOCK,
17	827-16140	2	BOLT, Hex, M16 x 140, 10.9, , M16 x 140; 10.9
18	828-16210	2	BOLT, Hex, M16 x 210, 10.9, , M16 x 210; 10.9
19	150814A1	6	WASHER,
20	KRH1256	6	PLATE,
21	829-1416	2	NUT, M16, CI 10, , M16; 10
22	KRH1251	2	NUT, , M16

CX240 LC/LR/NLC DCH24B0101 To DCH24B0400

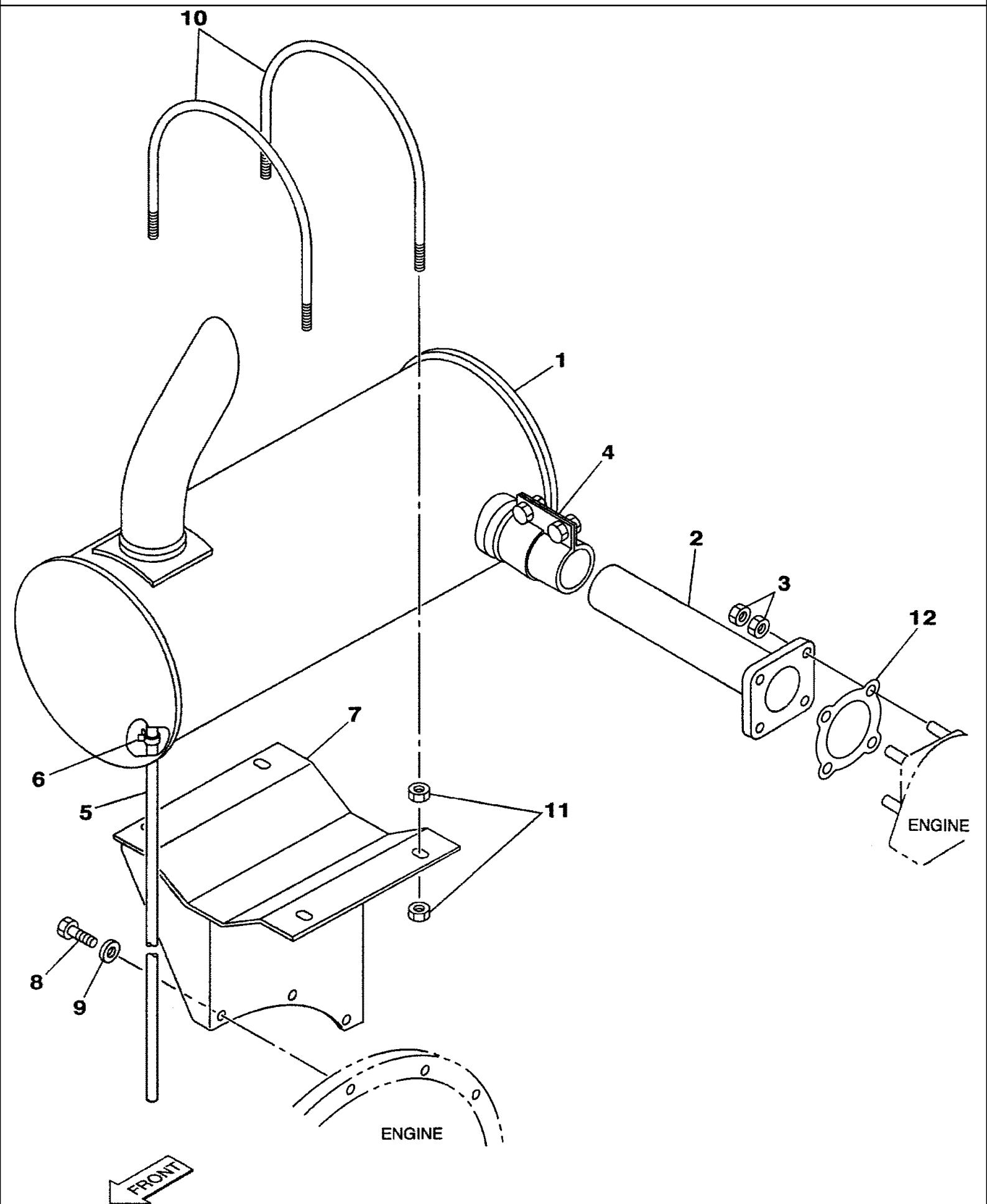


CX240 CASE CRAWLER EXCAVATOR (EUROPE)

02-003-00(02) ENGINE MOUNTING - ENGINE

Ref	Part Number	Qty	Description
1	KBH1009	1	ENGINE, , Consists Of Ref. Numbers 8.14 To 9, Also Pages 02-015-00-01 To 02-045-00-01, 03-009-00-01 To 03-027-00-01, 04-027-00-01 To 04-043-01-01
8.05	REF	1	INSTRUCTION, Motor, See Page(s) 04-029-00-01 Ref. 1
8.06	REF	1	INSTRUCTION, Gasket, See Page(s) 02-005-00-01 Ref. 12
8.07	REF	1	INSTRUCTION, Oil Filter, See Page(s) 02-029-01-01 Ref.2
8.08	REF	1	INSTRUCTION, Fuel Filter, See Page(s) 03-011-00-01 Ref. 1
8.09	REF	1	INSTRUCTION, Belt, See Page(s) 02-015-00-01 Ref. 7
8.1	REF	1	INSTRUCTION, Sensor, Temperature, See Page(s) 04-027-00-01 Ref. 7
8.11	REF	1	INSTRUCTION, Sensor, Water Temperature, See Page(s) 04-027-00-01 Ref. 16
8.12	REF	1	INSTRUCTION, Switch, Oil Pressure, See Page(s) 04-027-00-01 Ref. 6
9	REF	1	INSTRUCTION, Controler, See Page(s) 04-027-00-01 Ref. 14
10	167984A1	2	SPACER,
11	KRH1341	1	SUPPORT,
12	KHH0485	1	SUPPORT,
13	159657A1	7	BOLT, M10 x 1.25 x 25
14	153604A1	1	NUT, M10 x 1.25
15	150409A1	8	WASHER, W M 10
16	KRH1225	4	RUBBER BLOCK,
17	KRH1226	4	RUBBER BLOCK,
18	827-16140	2	BOLT, Hex, M16 x 140, 10.9, M16 x 140
19	828-16210	2	BOLT, Hex, M16 x 210, 10.9, M16 x 210
20	150814A1	6	WASHER,
21	KRH1256	6	PLATE,
22	829-1416	2	NUT, M16, CI 10, N M16
23	KRH1251	2	NUT, M16
24	KHH0548	1	SUPPORT,
25	166052A1	2	BOLT, M10 x 25

CX240 LC/LR/NLC DCH24B0401 And After



CX240 CASE CRAWLER EXCAVATOR (EUROPE)

02-005-00(01) EXHAUST

Ref	Part Number	Qty	Description
1	KBH0848	1	MUFFLER,
2	KBH0849	1	PIPE,
3	829-1408	8	NUT, M8, CI 10, , M8; 10
4	KRH1321	1	CLAMP,
5	157480A1	1	TUBE,
6	151367A1	1	CLAMP,
7	KBH0855	1	SUPPORT,
8	627-10035	3	BOLT, Hex, M10 x 35, 10.9, Full Thd, , M10 x 35; 10.9
9	150409A1	3	WASHER, , 10,5 x 21 x 3,2 mm
10	KBH0850	2	U-BOLT,
11	150472A1	8	NUT,
12	289213A1	1	GASKET,

CX240 LC DCH24B0101 To DCH24B0316 / CX240 LR DCH24B0101 And After / CX240 NLC DCH24N0101 And After

BUY NOW

**Then Instant Download
the Complete Manual
Thank you very much!**