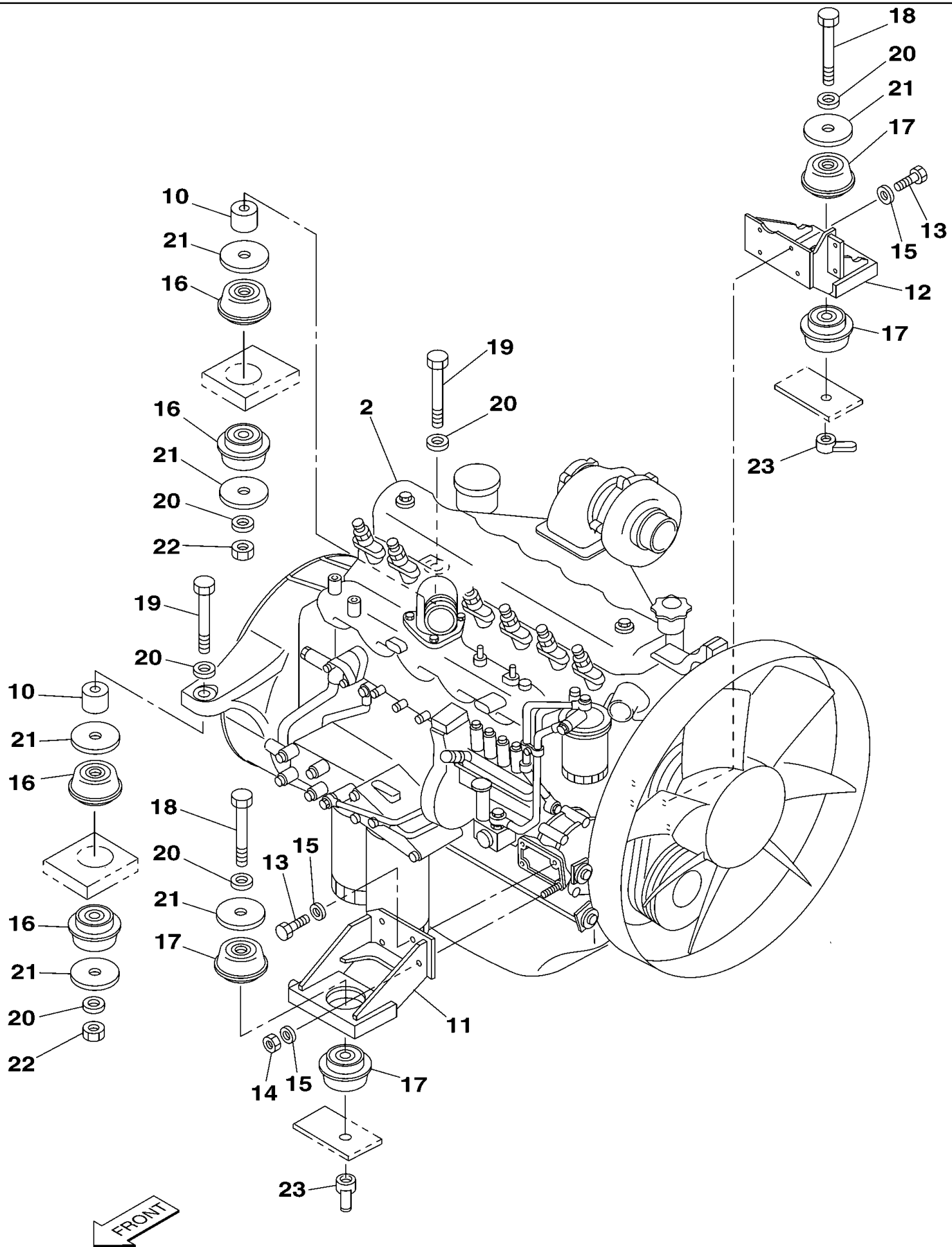




PARTS CATALOGUE

CX290
CASE CRAWLER EXCAVATOR

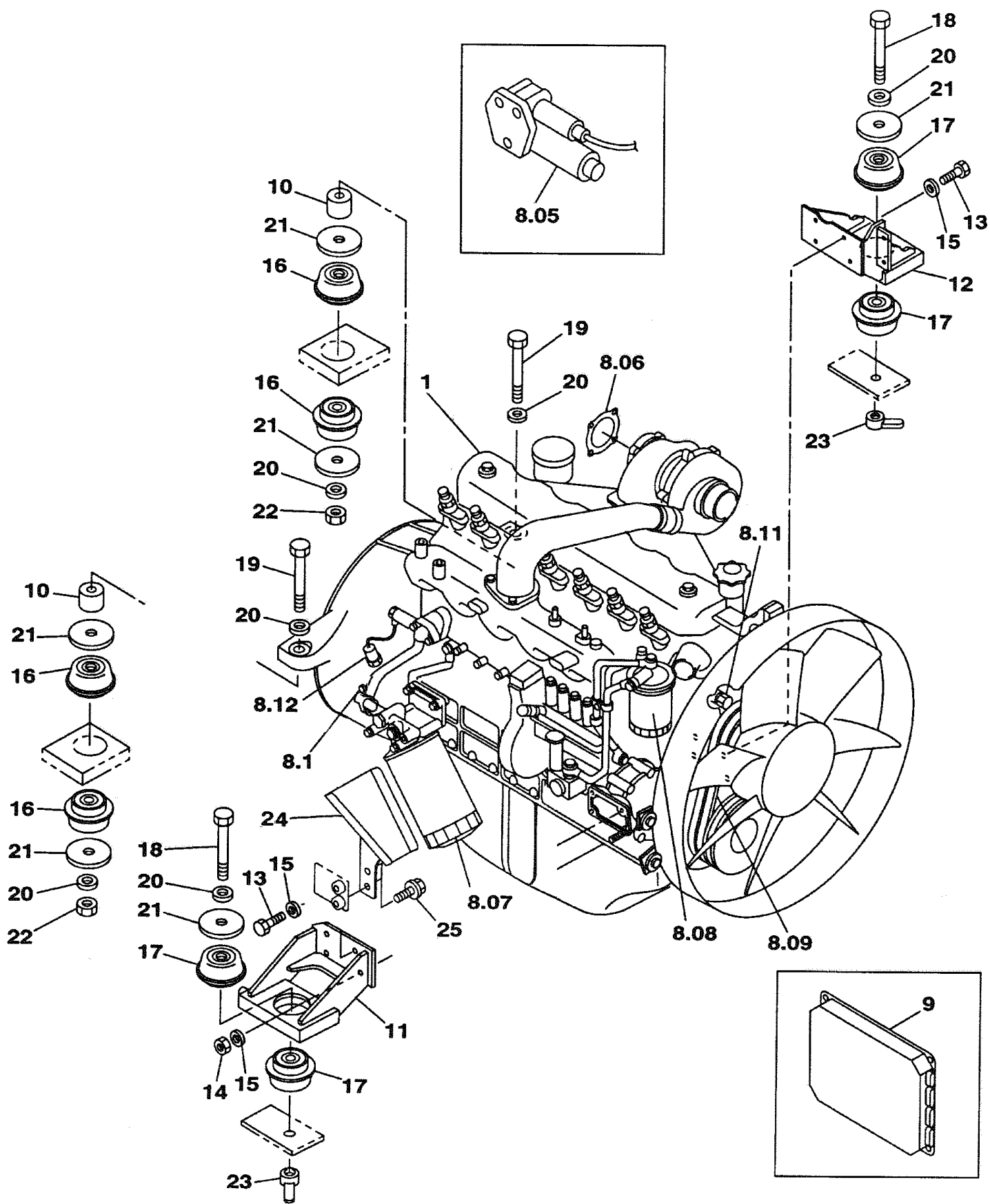


CX290 CASE CRAWLER EXCAVATOR (EUROPE)

02-003-00(01) ENGINE MOUNTING - ENGINE

Ref	Part Number	Qty	Description
2	KBH0916	1	ENGINE ASSY, , See Page(s) 02-017-00-01 To 02-061-00-01, 03-011-00-01 To 03-027-00-01, 04-029-00-01
10	167984A1	2	SPACER,
11	KRH1341	1	SUPPORT,
12	KHH0485	1	SUPPORT,
13	159657A1	7	BOLT, M10 x 1.25 x 25
14	153604A1	1	NUT, M10 x 1.25
15	150409A1	8	WASHER, W M 10
16	KRH1225	4	RUBBER BLOCK,
17	KRH1226	4	RUBBER BLOCK,
18	827-16140	2	BOLT, Hex, M16 x 140, 10.9, M16 x 140
19	828-16210	2	BOLT, Hex, M16 x 210, 10.9, M16 x 210
20	150814A1	6	WASHER,
21	KRH1256	6	PLATE,
22	829-1416	2	NUT, M16, CI 10, N M16
23	KRH1251	2	NUT, M16

Until DCH29B0258

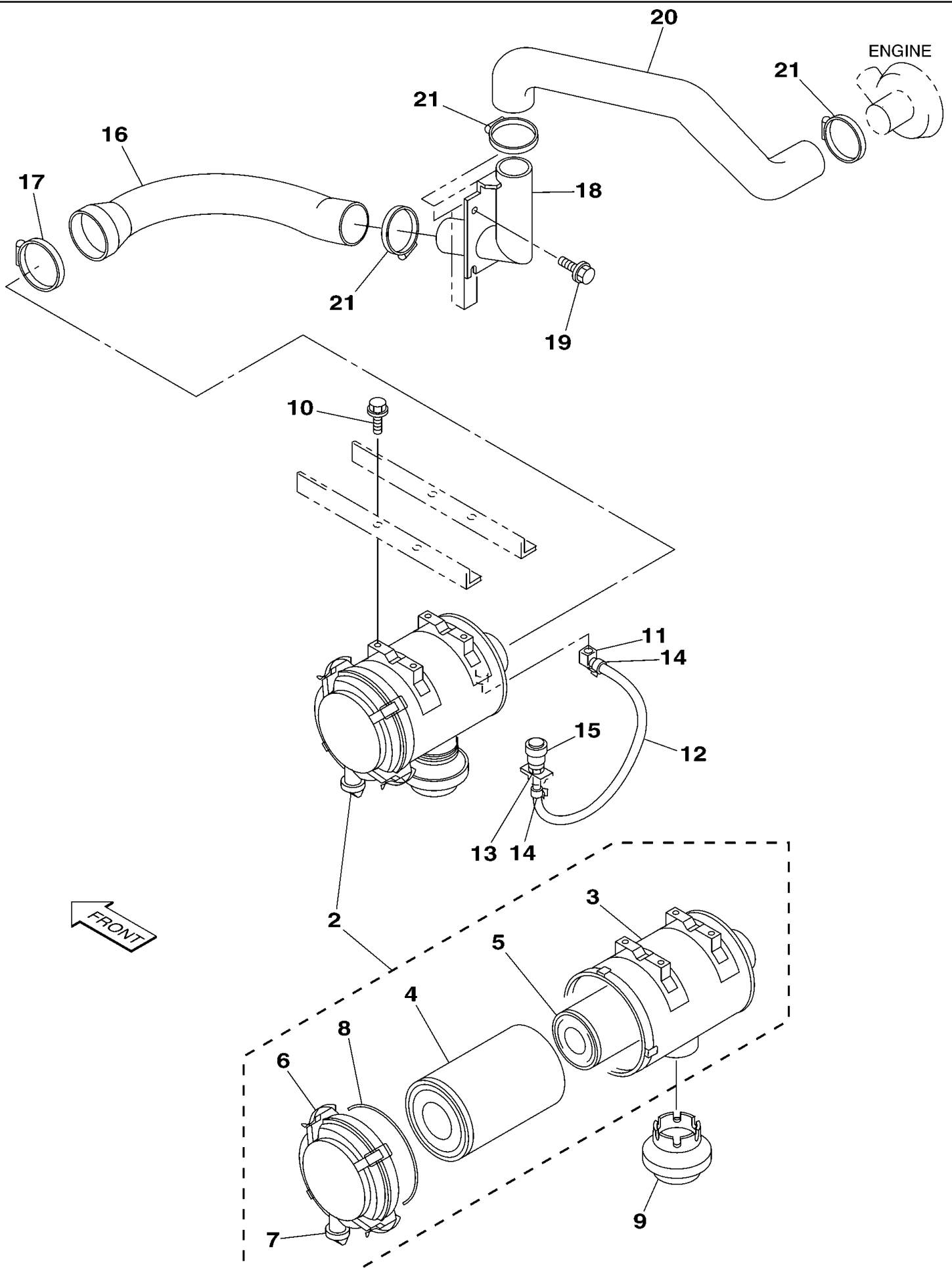


CX290 CASE CRAWLER EXCAVATOR (EUROPE)

02-003-00(02) ENGINE MOUNTING - ENGINE

Ref	Part Number	Qty	Description
1	KBH1010	1	ENGINE, , Consists Of Ref. Numbers 8.05 To 9, Also Page(s) 02-017-00 01 To 02-061-00 01, 03-011-00 01 To 03-027-0- 01, 04-029-00 01 To 04-033-00 01
8.05	REF	1	INSTRUCTION, Motor, See Page(s) 04-029-00 01 Ref. 1
8.06	REF	1	INSTRUCTION, Gasket, See Page(s) 02-007-00 01 Ref. 12
8.07	REF	1	INSTRUCTION, Oil Filter, See Page(s) 02-039-01 01 Ref.2
8.08	REF	1	INSTRUCTION, Fuel Filter, See Page(s) 03-013-00 01 Ref. 1
8.09	REF	1	INSTRUCTION, Belt, See Page(s) 02-017-00 01 Ref. 36
8.1	REF	1	INSTRUCTION, Sensor, Temperature, See Page(s) 04-029-00 01 Ref. 7
8.11	REF	1	INSTRUCTION, Sensor, Water Temperature, See Page(s) 04-029-00 01 Ref. 16
8.12	REF	1	INSTRUCTION, Switch, Oil Pressure, See Page(s) 04-029-00 01 Ref. 6
9	REF	1	INSTRUCTION, Controler, See Page(s) 04-029-00 01 Ref. 14
10	167984A1	2	SPACER,
11	KRH1341	1	SUPPORT,
12	KHH0485	1	SUPPORT,
13	159657A1	7	BOLT, M10 x 1.25 x 25
14	153604A1	1	NUT, M10 x 1.25
15	150409A1	8	WASHER, W M 10
16	KRH1225	4	RUBBER BLOCK,
17	KRH1226	4	RUBBER BLOCK,
18	827-16140	2	BOLT, Hex, M16 x 140, 10.9, M16 x 140
19	828-16210	2	BOLT, Hex, M16 x 210, 10.9, M16 x 210
20	150814A1	6	WASHER, W 16
21	KRH1256	6	PLATE,
22	829-1416	2	NUT, M16, CI 10, N M16
23	KRH1251	2	NUT, M16
24	KHH0548	1	SUPPORT,
25	166052A1	2	BOLT, M10 x 25

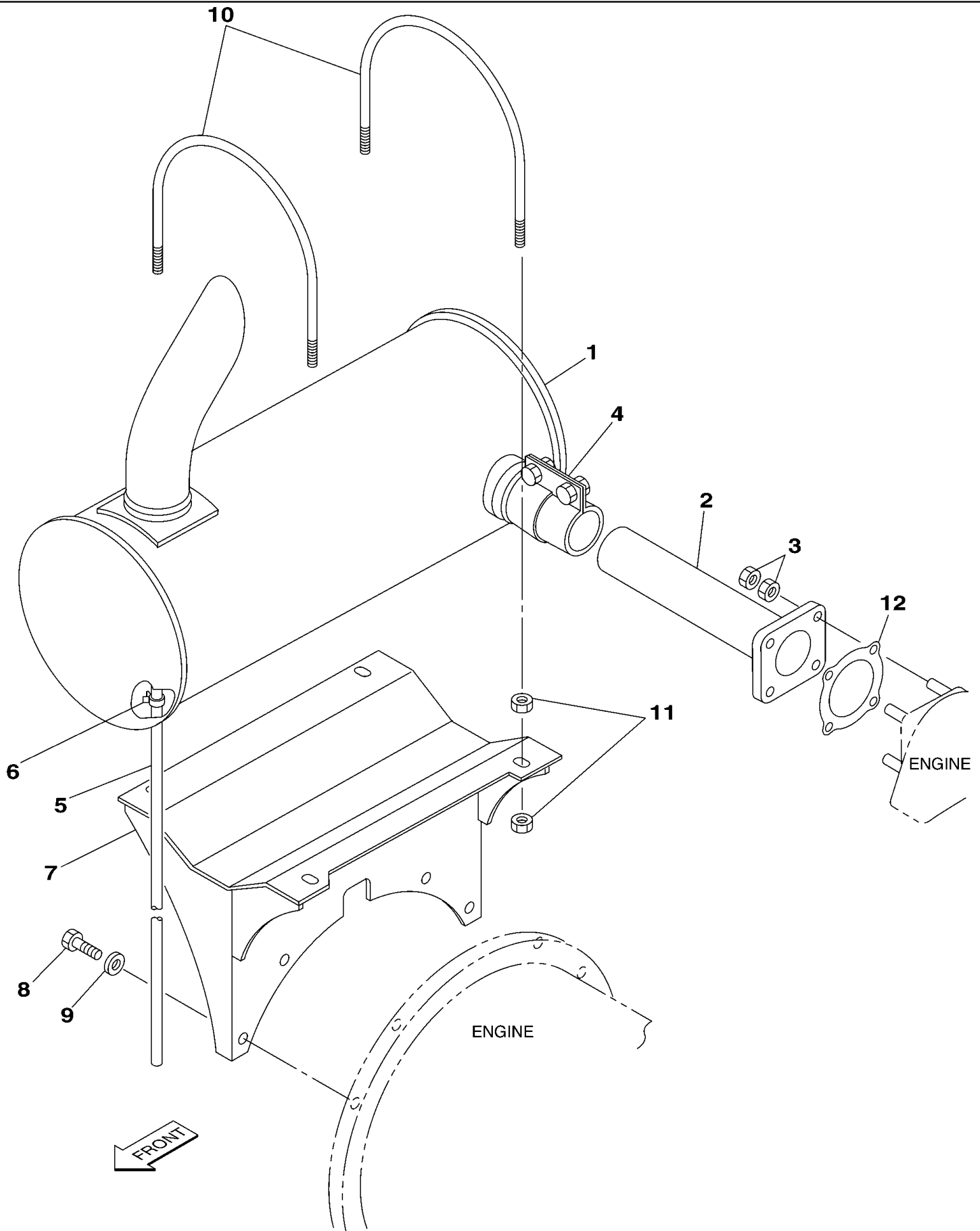
DCH29B0259 And After



CX290 CASE CRAWLER EXCAVATOR (EUROPE)

02-005-00(01) AIR FILTRATION

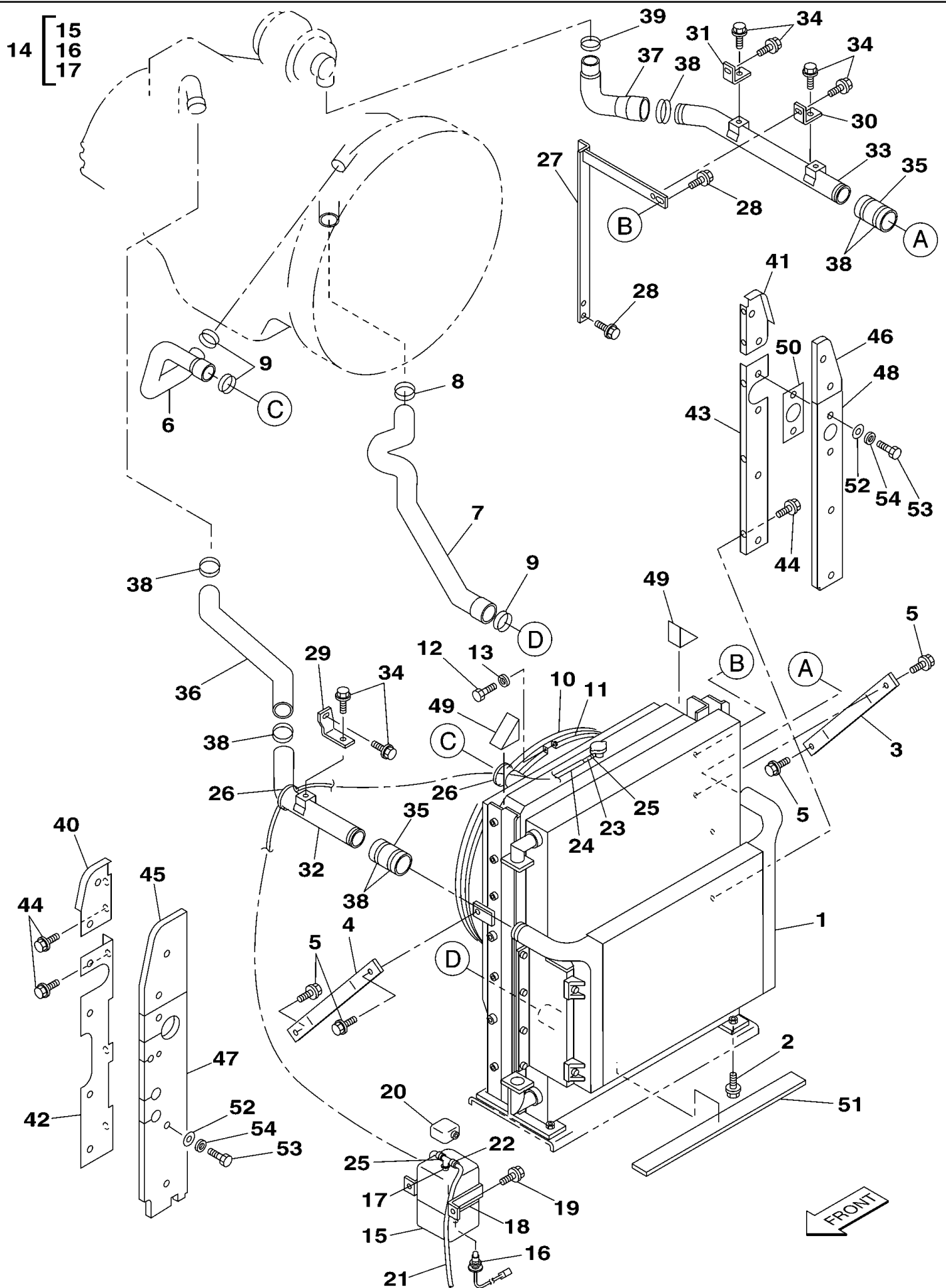
Ref	Part Number	Qty	Description
2	KBH0918	1	AIR CLEANER, , Consists Of Ref. Numbers 3-8
3	KBH0920	1	HOUSING,
4	KBH0921	1	FILTER, AIR, , Primary
5	KBH0922	1	FILTER, AIR, , Secondary
6	KBH0923	1	COVER ASSY,
7	KBH0924	1	VALVE,
8	NSS	1	NOT SERVICED SEPARATELY,
9	KBH0919	1	CAP ASSY.,
10	166052A1	4	BOLT,
11	KRH1237	1	ELBOW,
12	157779A1	1	HOSE,
13	KRH1236	1	SEAL,
14	165951A1	2	CLAMP,
15	KSH0050	1	INDICATOR,
16	KBH0902	1	HOSE, LARGE,
17	150545A1	1	CLAMP,
18	KBH0903	1	SUPPORT,
19	152718A1	4	BOLT,
20	KBH0901	1	HOSE, LARGE,
21	150902A1	3	CLAMP,



CX290 CASE CRAWLER EXCAVATOR (EUROPE)

02-007-00(01) EXHAUST

Ref	Part Number	Qty	Description
1	KBH0893	1	MUFFLER,
2	KBH0849	1	PIPE,
3	829-1408	8	NUT, M8, CI 10, , M8; 10
4	KRH1321	1	CLAMP,
5	157480A1	1	TUBE,
6	151367A1	1	CLAMP,
7	KBH0855	1	SUPPORT,
8	627-10035	4	BOLT, Hex, M10 x 35, 10.9, Full Thd, , M10 x 35; 10.9
9	150409A1	4	WASHER, , 10,5 x 21 x 3,2 mm
10	KBH0850	2	U-BOLT,
11	150472A1	8	NUT,
12	289213A1	1	GASKET,



CX290 CASE CRAWLER EXCAVATOR (EUROPE)

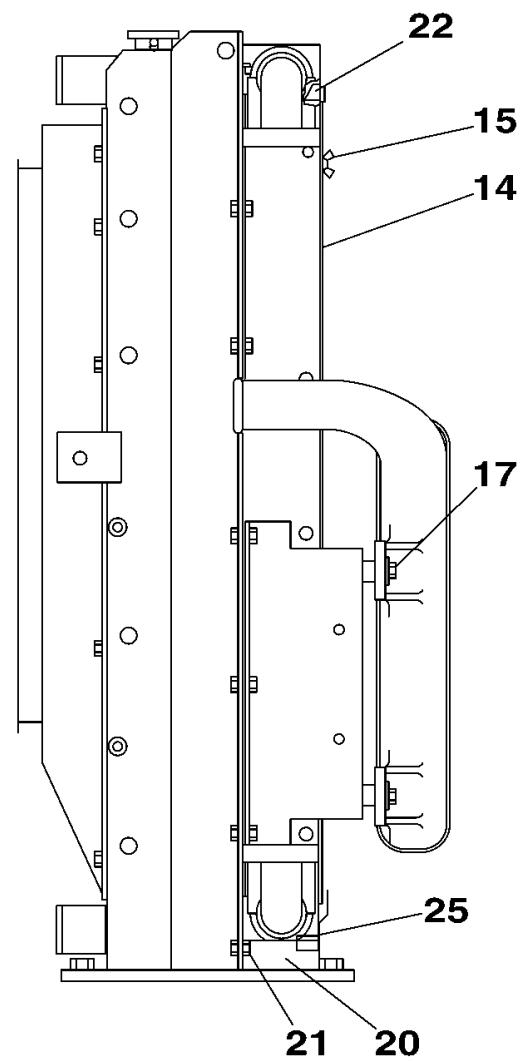
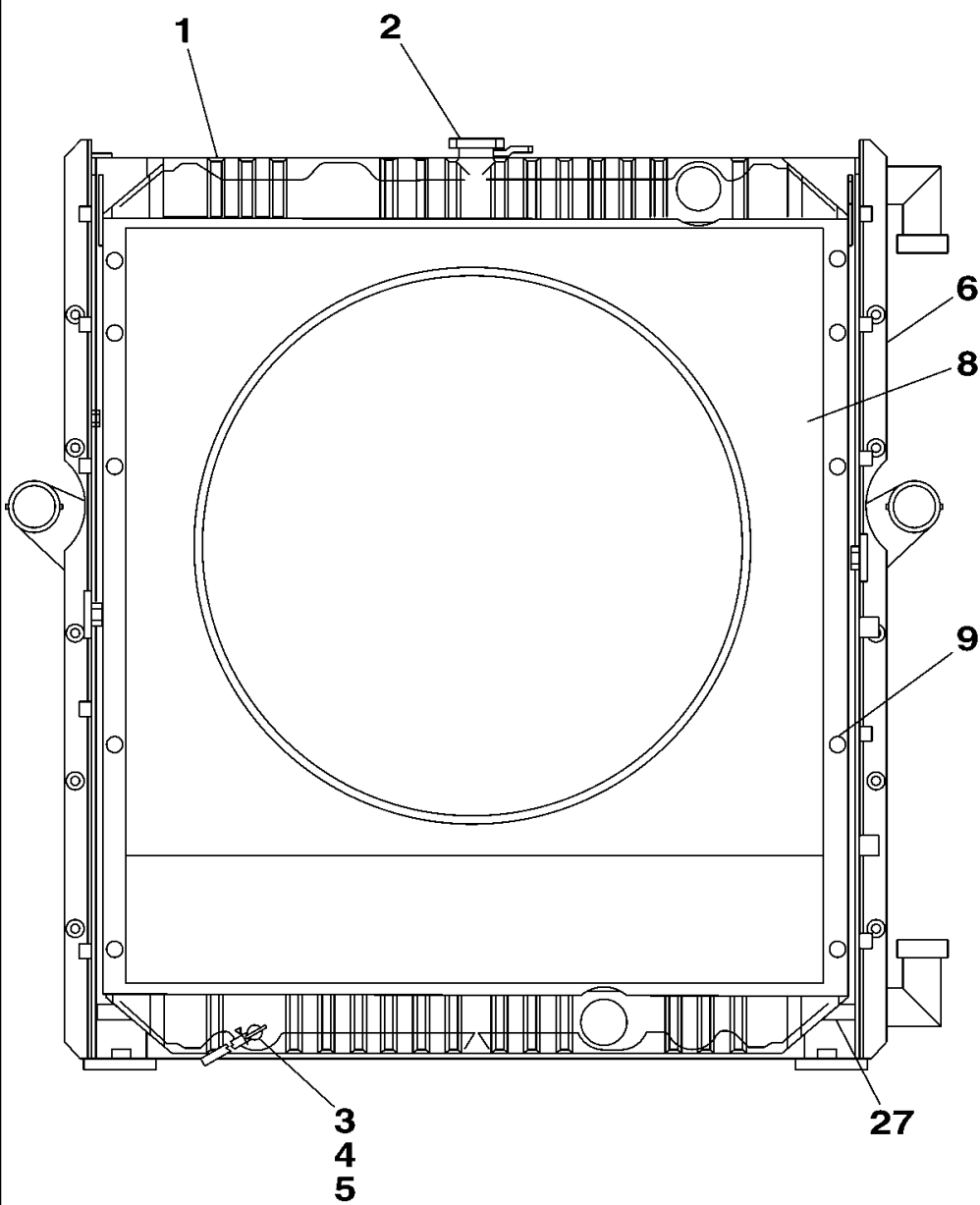
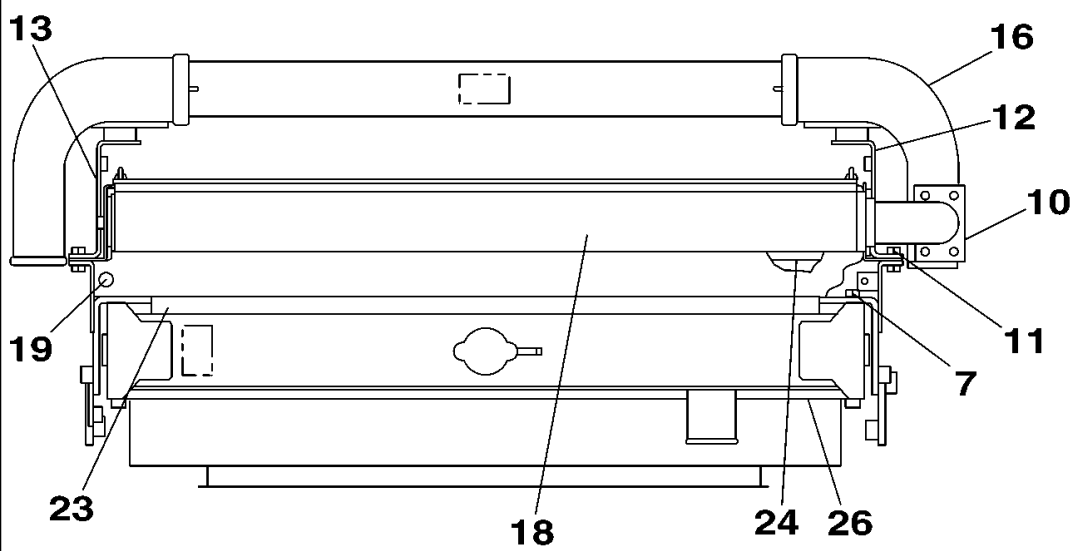
02-009-00(01) WATER CIRCUIT - RADIATOR

Ref	Part Number	Qty	Description
1	KBH0890	1	RADIATOR, , See Page(s) 02-013-00-01
2	166373A1	4	BOLT,
3	KBH0904	1	STAY,
4	KBH0905	1	STAY,
5	166373A1	4	BOLT,
6	KBH0906	1	HOSE, LARGE,
7	KBH0907	1	HOSE, LARGE,
8	165793A1	1	CLAMP,
9	165794A1	3	CLAMP,
10	KBH0935	1	RUBBER BAND,
11	KBH0936	1	BAND,
12	KRH1377	1	SCREW,
13	895-11005	1	WASHER, M5 x 10 x 1, , 5,5 x 10 x 1 mm
14	160626A1	1	RESERVOIR, , Consists Of Ref. Numbers 15-17
15	NSS	1	NOT SERVICED SEPARATELY, , Tank
16	161740A1	1	SWITCH,
17	166131A1	1	CAP,
18	KRH1435	1	HOLDER,
19	166052A1	2	BOLT,
20	157140A1	1	COVER,
21	KHH0388	1	HOSE,
22	165952A1	1	MOUNTING CLIP,
23	150740A1	1	HOSE, LARGE,
24	157138A1	1	TUBE,
25	165951A1	2	CLAMP,
26	150498A1	2	COLLAR,
27	KBH0912	1	FRAME,
28	152718A1	3	BOLT,
29	KBH0913	1	BRACKET,
30	KBH0914	1	BRACKET,
31	KBH0915	1	BRACKET,
32	KBH0908	1	PIPE,
33	KBH0909	1	PIPE,
34	152718A1	6	BOLT,
35	KRH1401	2	HOSE,
36	KBH0910	1	HOSE, LARGE,
37	KBH0911	1	HOSE, LARGE,
38	164968A1	7	CLAMP,
39	164967A1	1	CLAMP,
40	KBH0930	1	BRACKET,
41	KBH0931	1	BRACKET,
42	KBH0932	1	BRACKET,
43	KBH0933	1	BRACKET,
44	166345A1	10	BOLT,
45	KBH0925	1	SEAL,

CX290 CASE CRAWLER EXCAVATOR (EUROPE)

02-009-00(01) WATER CIRCUIT - RADIATOR

Ref	Part Number	Qty	Description
46	KBH0926	1	SEAL,
47	KBH0927	1	SEAL,
48	KBH0928	1	ANTISQUEAK,
49	KBH0934	2	SEAL,
50	KBH0929	1	RUBBER,
51	KTH0606	1	GASKET,
52	KHH0358	12	RETAINER,
53	627-8040	12	BOLT, Hex, M8 x 40, 10.9, Full Thd,
54	895-11008	12	WASHER, M8 x 16 x 1.6, 9 x 17 x 1,6 mm



CX290 CASE CRAWLER EXCAVATOR (EUROPE)

02-013-00(01) RADIATOR - OIL COOLER

Ref	Part Number	Qty	Description
	KBH0890	1	RADIATOR, , Consists Of Ref. Numbers 1-27
1	LN00087	1	RADIATOR,
2	156601A1	1	PLUG,
3	156602A1	1	COCK,
4	LK00356	1	TUBE, PLASTIC-RUBBER,
5	LA00826	1	CLIP,
6	LT00125	1	FRAME,
7	158870A1	10	BOLT,
8	LW00379	1	SHROUD,
9	LUG0028	10	BOLT,
10	LN00088	1	COOLER, OIL,
11	LA00784	10	BOLT,
12	LS00202	1	BRACKET,
13	LS00203	1	BRACKET,
14	LG00428	1	PROTECTOR,
15	156606A1	2	BOLT,
16	LN00089	1	CONDENSER,
17	LA00784	4	BOLT,
18	LR00844	1	PLATE,
19	LUG0003	2	BOLT,
20	LR00808	1	PLATE,
21	LUG0003	2	BOLT,
22	LE00970	2	FOAM,
23	LE00889	1	FOAM,
24	LE00971	1	FOAM,
25	LE00972	1	FOAM,
26	LE00971	2	FOAM,
27	LE00972	1	FOAM,

BUY NOW

**Then Instant Download
the Complete Manual
Thank you very much!**