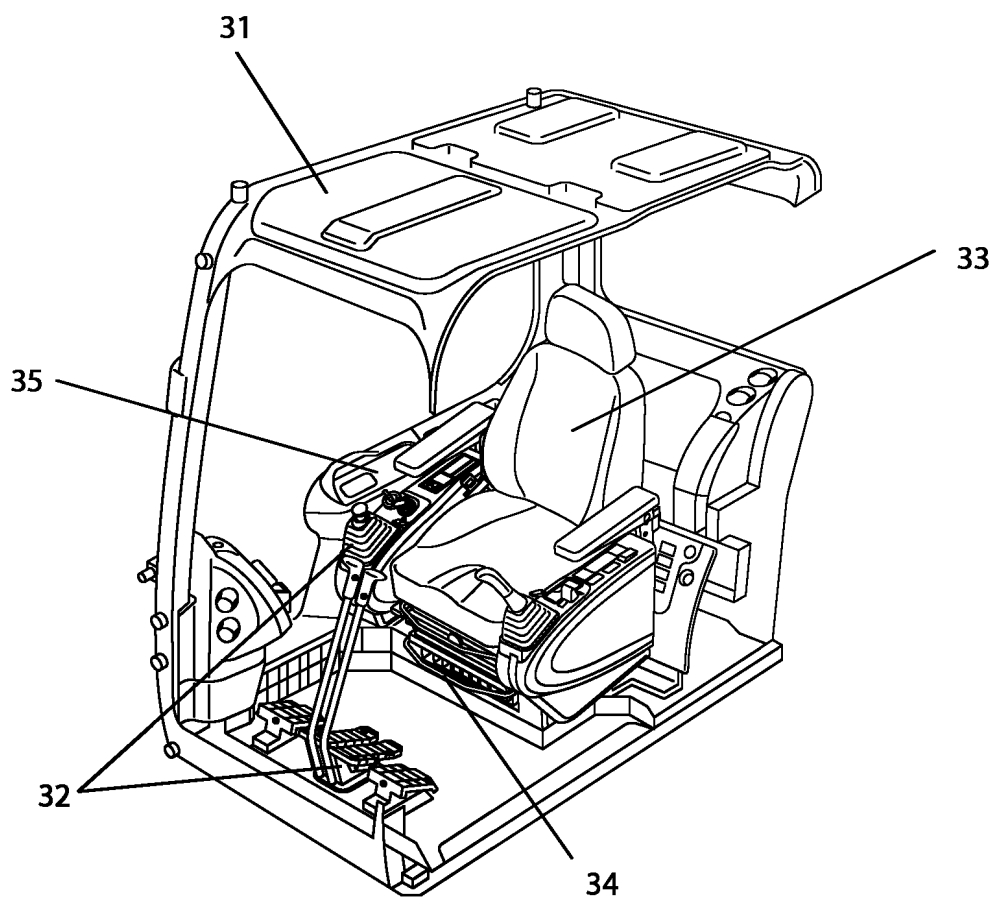
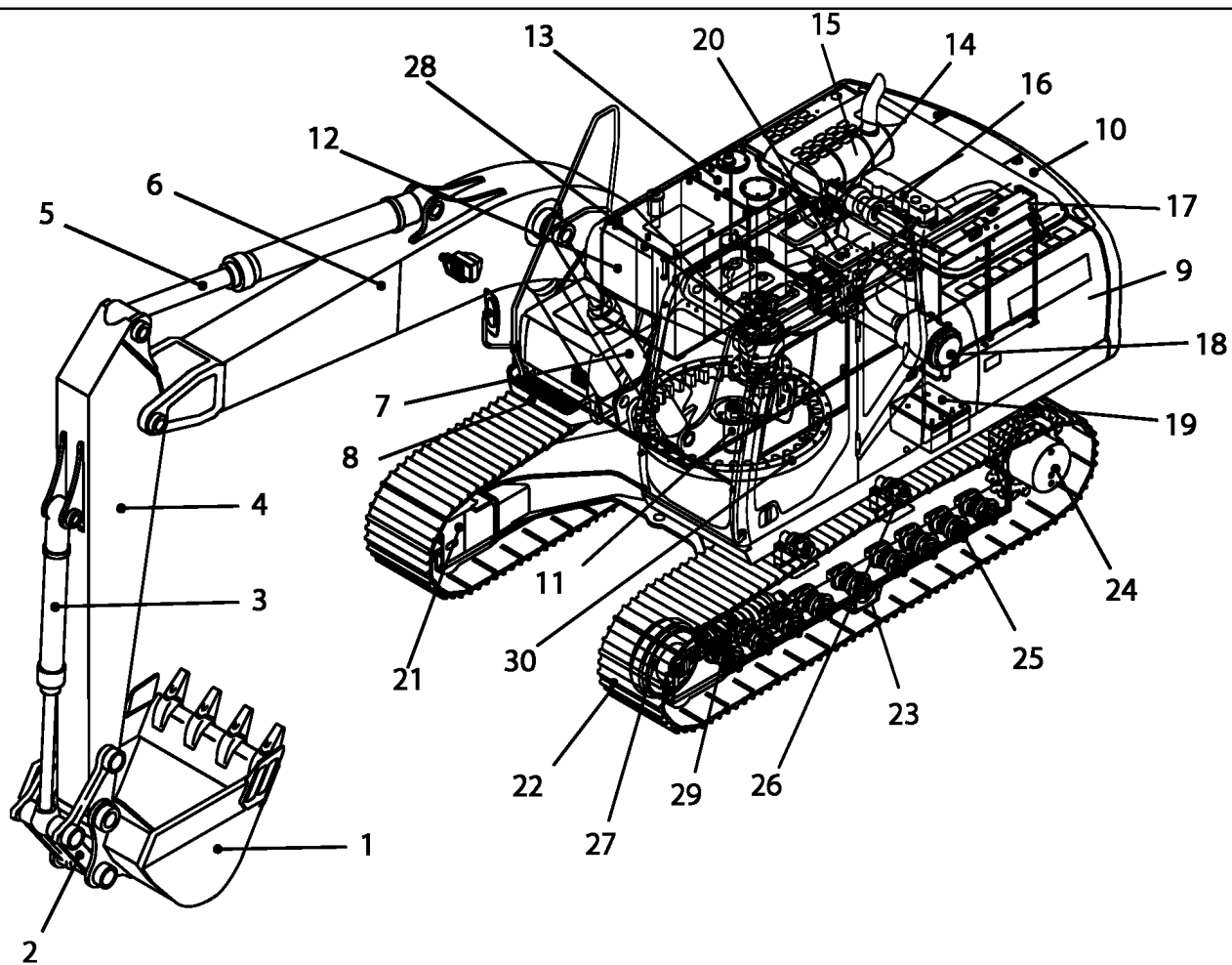




PARTS CATALOGUE

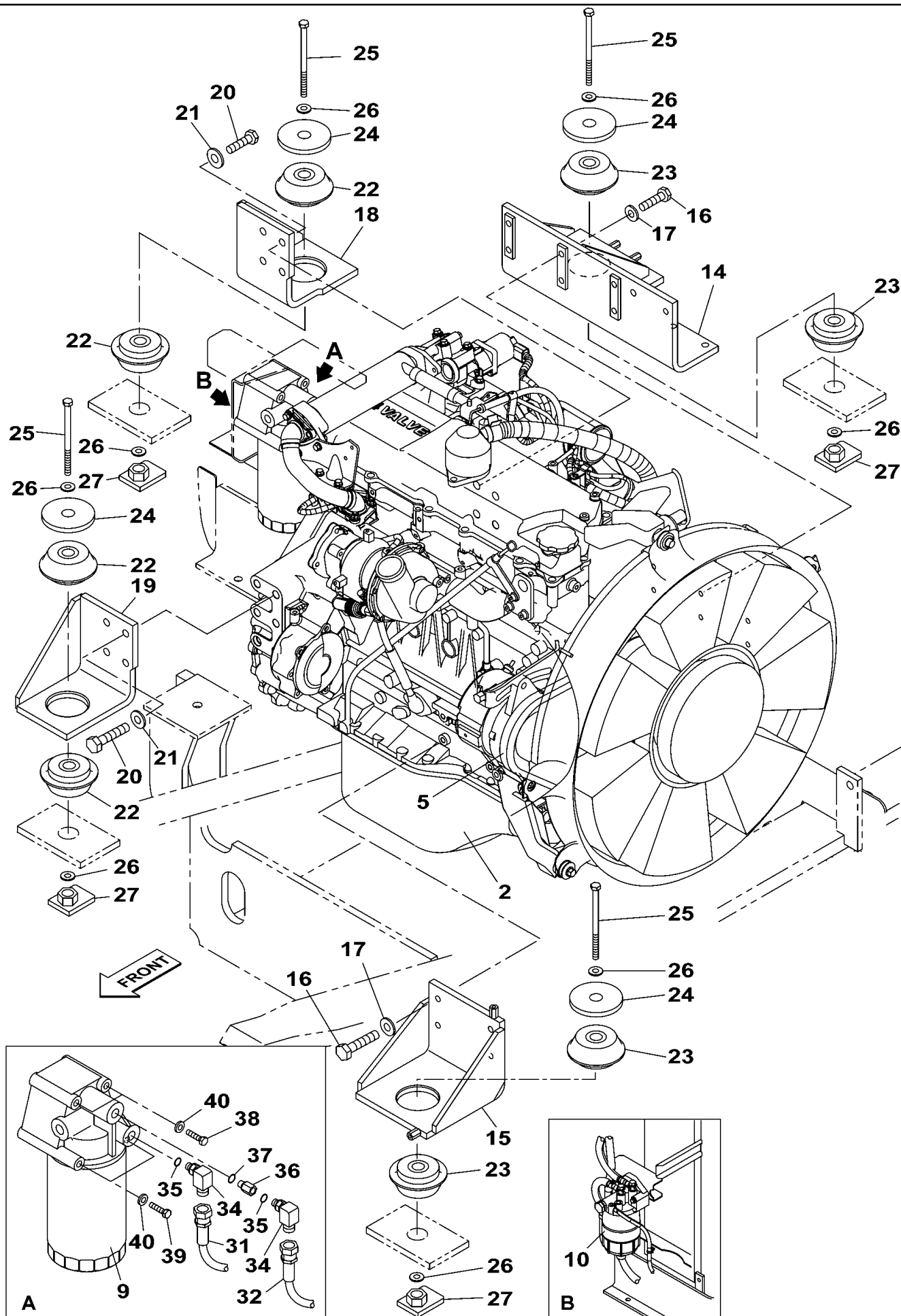
CRAWLER EXCAVATOR
CX290B



CX290B CRAWLER EXCAVATOR - TIER III (EUROPE) (1/07-)

00-001-00(01) COMPONENT INDEX

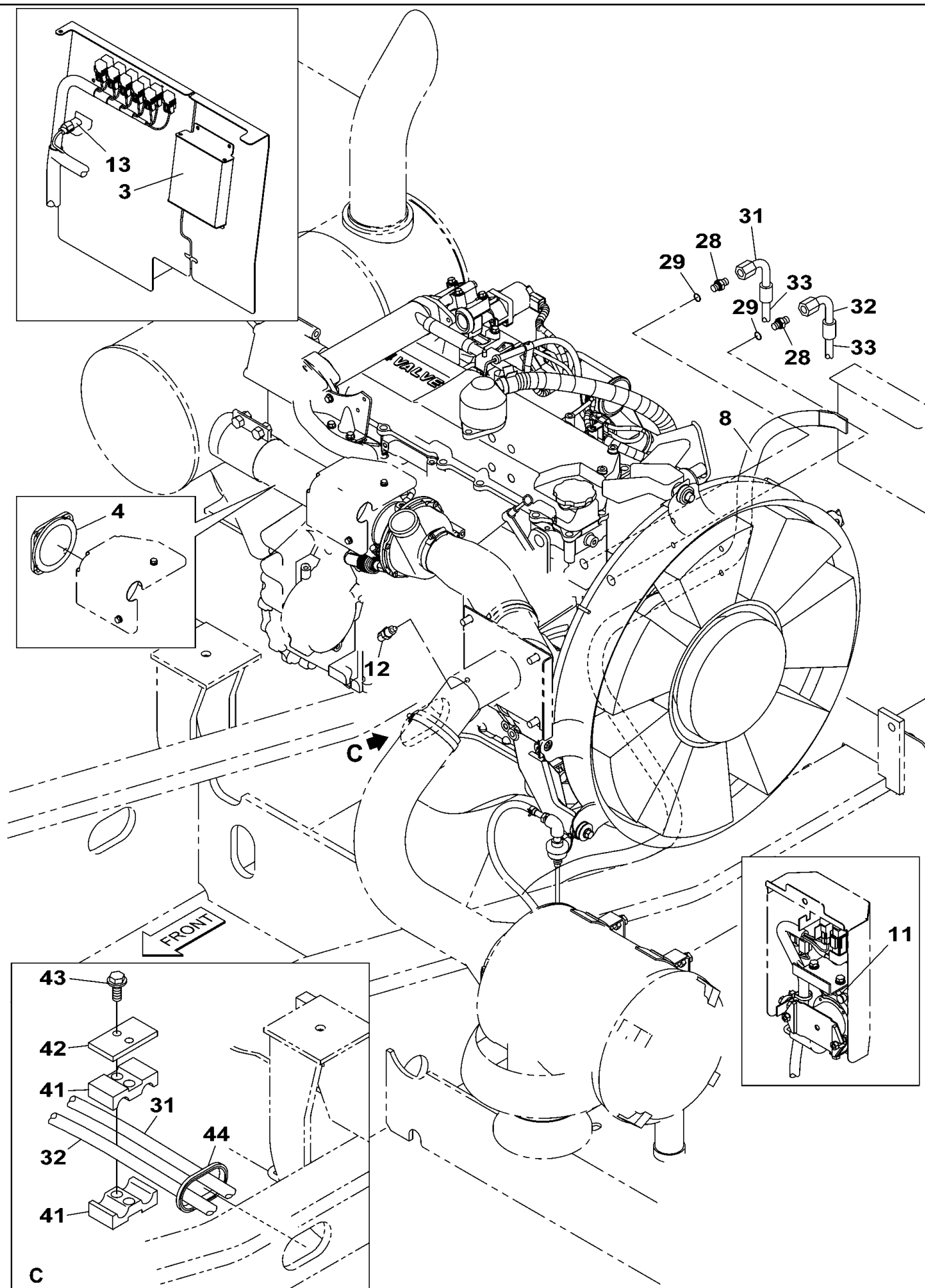
Ref	Part Number	Qty	Description
1		1	BUCKET - See Figures 09-310-00 01 To 09-315-00 01
2		1	BUCKET CONTROL See Figure 09-300-00 01
3		1	BUCKET CYLINDER - See Figures 08-020-00 01, 08-303-00 01
4		1	DIPPER - See Figures 09-200-00 01
5		1	DIPPER CYLINDER - See Figures 08-018-00 01, 08-019-00 01, 08-302-00 1, 08-302-001 01
6		1	MONOBLOCK BOOM - See Figures 09-100-00 01, 09-100-01 01
7		1	BOOM CYLINDER - See Figures 08-012-00 01 To 08-016-00 01, 08-300-00 01 To 08-301-01 01
8		1	UPPERSTRUCTURE CHASSIS - See Figures 09-002-00 01, 09-003-00 01
9		1	COWLING - See Figures 09-005-00 01 To 09-008-01 01
10		1	COUNTERWEIGHT - See Figure 09-004-00 01
11		1	SWING JOINT - See Figure 07-010-00 01
12		1	FUEL TANK, FUEL SYSTEM - See Figures 03-001-00 01 To 03-042-01 01
13		1	HYDRAULIC RESERVOIR, HYDRAULIC SYSTEM - See Figures 08-001-00 01, 08-004-00 01 To 08-046-00 01
14		1	HYDRAULIC PUMP - See Figures 08-002-00 01, 08-003-00 01
15		1	EXHAUST ENGINE - See Figure 02-003-00 01
16		1	ENGINE - See Figures s 02-001-00 01, 02-005-01 01 To 02-110-01 01
17		1	RADIATOR - See figures 02-004-00 01, 02-004-01 01
18		1	AIR FILTRATION - See figure 02-002-00 01
19		1	BATTERIES, ELECTRICAL SYSTEM - See figures 04-001-00 01 To 04-815-02 01
20		1	CONTROL VALVE - See figure 08-200-00 01
21		1	UNDERCARRIAGE, HYDRAULIC CIRCUIT For CX290B LC- See Figures 05-001-00 01, 07-001-00 01
21		1	UNDERCARRIAGE, HYDRAULIC CIRCUIT For CX290B NLC - See Figures 05-001-01 01, 07-001-01 01
22		1	TRACK FOOT STEP - See Figures 05-006-00 01 To 05-010-00 01
23		1	GUIDE, CHAIN - See Figures 05-011-00 01, 05-011-01 01
24		1	TRAVEL MOTOR AND REDUCTION GEAR - See Figures 06-001-00 01, 06-010-00 01, 07-011-00 01, 07-012-00 01
25		1	ROLLER LOWER - See Figure 05-003-00 01
26		1	ROLLER UPPER - See Figure 05-002-00 01
27		1	GUIDE PULLEY - See Figure 05-004-00 01
28		1	SWING MOTOR-DRIVE REDUCTION GEAR - See Figures 06-002-00 01, 08-220-00 01
29		1	TENSION DAMPER - See Figure 05-005-00 01
30		1	SWING COMPONENTS, LUBRICATION CIRCUIT - See Figure 09-001-00 01
31		1	OPERATORS COMPARTMENT, CAB - See Figures 04-011-00 01, 09-029-00 01 To 09-032-00 01
32		1	OPERATORS COMPARTMENT, LEVER, CONTROL - See Figure 09-009-00 01
33		1	OPERATORS COMPARTMENT - SEAT AND CONTROL ARM MOUNTING - See Figures 09-017-00 01 To 09-023-00 01
34		1	CAB AIR CONDITIONING - Sees Figures 09-025-00 01 To 09-028-00 01
35		1	SIDE INSTRUMENT PANEL - See Figure 09-029-00 01



CX290B CRAWLER EXCAVATOR - TIER III (EUROPE) (1/07-)

02-001-00(01) ENGINE MOUNTING - ENGINE - OIL CIRCUIT

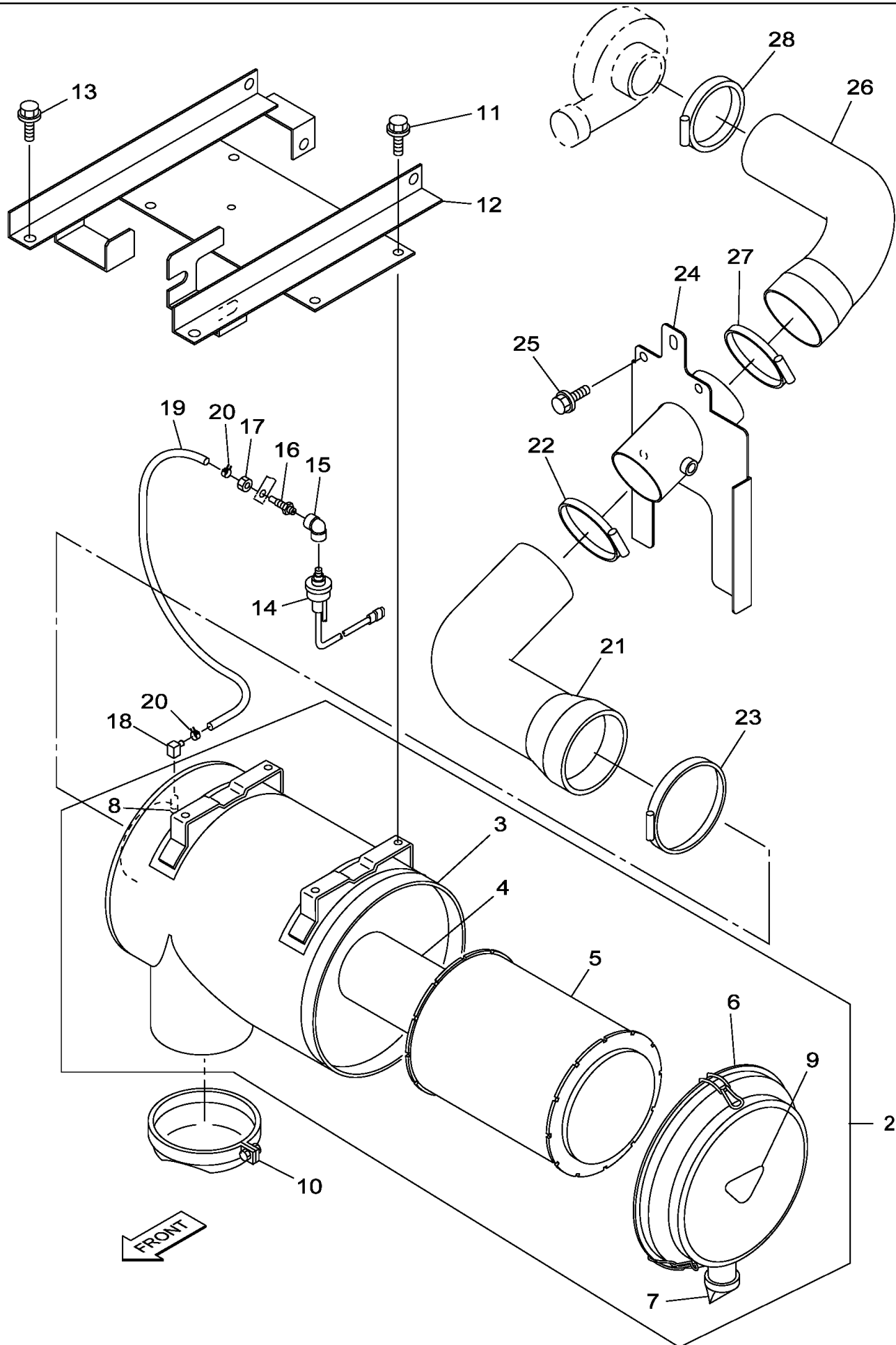
Ref	Part Number	Qty	Description
2	KBH10560	1	ENGINE, , Include(s) 5, 9, 10 Also Figures 02-001-01 01 Ref. 3, 4, 8, 11, 12, 13 And Figures 02-005-01 01 To 02-110-01 01, 03-040-01 01 To 03-042-01 01, 04-060-01 01 To 04-815-02 01
5	REF	1	INSTRUCTION, Belt, See Figure(s) 02-033-01 01 Ref. 184
9	REF	1	INSTRUCTION, Oil Filter, See Figure(s) 02-050-02 01 Ref. 496
10	REF	1	INSTRUCTION, Fuel Filter, See Figure(s) 03-041-01 01 Ref. 1
14	KSH1067	1	SUPPORT,
15	KSH0908	1	SUPPORT ASSY.,
16	627-10035	10	BOLT, Hex, M10 x 35, 10.9, Full Thd, M10x 35; 10.9
17	150409A1	10	WASHER,
18	KSH0909	1	SUPPORT ASSY.,
19	KSH0910	1	SUPPORT ASSY.,
20	627-12040	8	BOLT, Hex, M12 x 40, 10.9, Full Thd, M12 x 40; 10.9
21	150811A1	8	WASHER,
22	KTH0566	4	SILENTBLOC,
23	KTH0567	4	SILENTBLOC,
24	150874A1	4	WASHER,
25	827-20150	4	BOLT, Hex, M20 x 150, 10.9, M20 x 150; 10.9
26	150817A1	8	WASHER,
27	KSH0923	4	NUT,
34	157580A1	2	ELBOW, 90°, 3/4" O-Ring x 3/4",
35	154503A1	2	O-RING,
36	152012A1	1	CONNECTOR,
37	154503A1	1	O-RING,
38	102R008Y110R	2	BOLT, M8 x 110
39	KHH0515	2	BOLT, M8 x 140
40	153081A1	4	WASHER,



CX290B CRAWLER EXCAVATOR - TIER III (EUROPE) (1/07-)

02-001-01(01) ENGINE MOUNTING - ENGINE - OIL CIRCUIT

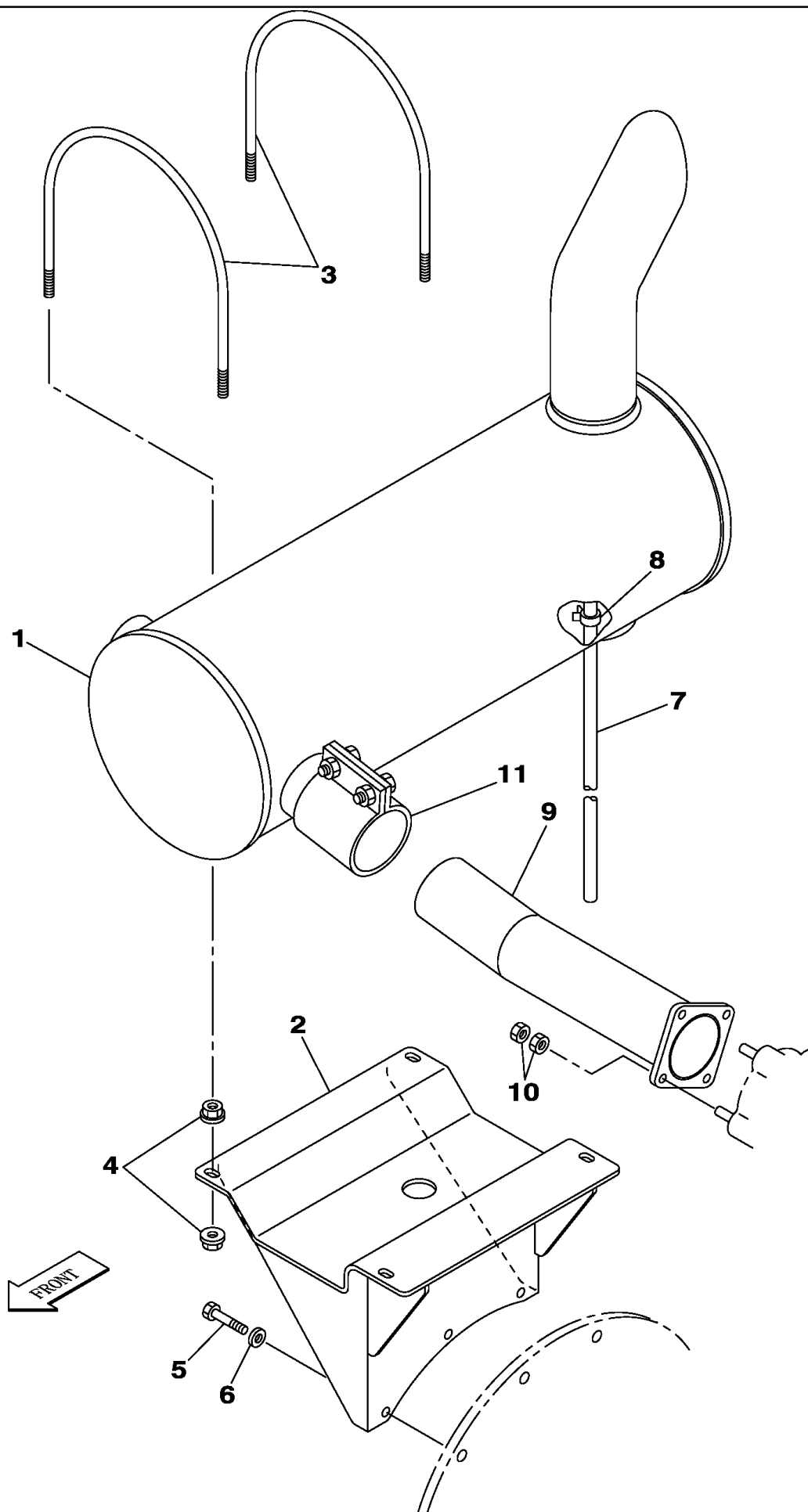
Ref	Part Number	Qty	Description
3	REF	1	INSTRUCTION, Controler, See Figure(s) 04-060-01 01 Ref. 613
4	REF	1	INSTRUCTION, Gasket, See Figure(s) 02-036-01 01 Ref. 84
8	REF	1	INSTRUCTION, Harness, See Figure(s) 04-810-01 01 Ref. 71
11	REF	1	INSTRUCTION, Relay, See Figure(s) 04-060-01 01 Ref. 424
12	REF	1	INSTRUCTION, Sensor, See Figure(s) 040-60-01 01 Ref. 797
13	REF	1	INSTRUCTION, Sensor, See Figure(s) 04-060-01 01 Ref. 796
28	151654A1	2	ADAPTER, 3/4" NPT O-Ring x 3/4" NPT, , Include(s) 29
29	154503A1	2	O-RING,
31	KBH10580	1	HOSE ASSY., 1350 mm
32	KBH10590	1	HOSE ASSY., 1450 mm
33	KBR0819	2	SHEATH, FLEXIBLE, 400 mm
41	KRH10200	2	CLAMP,
42	KRH10210	1	PLATE,
43	166052A1	2	BOLT,
44	KRH10470	1	GROMMET,



CX290B CRAWLER EXCAVATOR - TIER III (EUROPE) (1/07-)

02-002-00(01) AIR FILTRATION

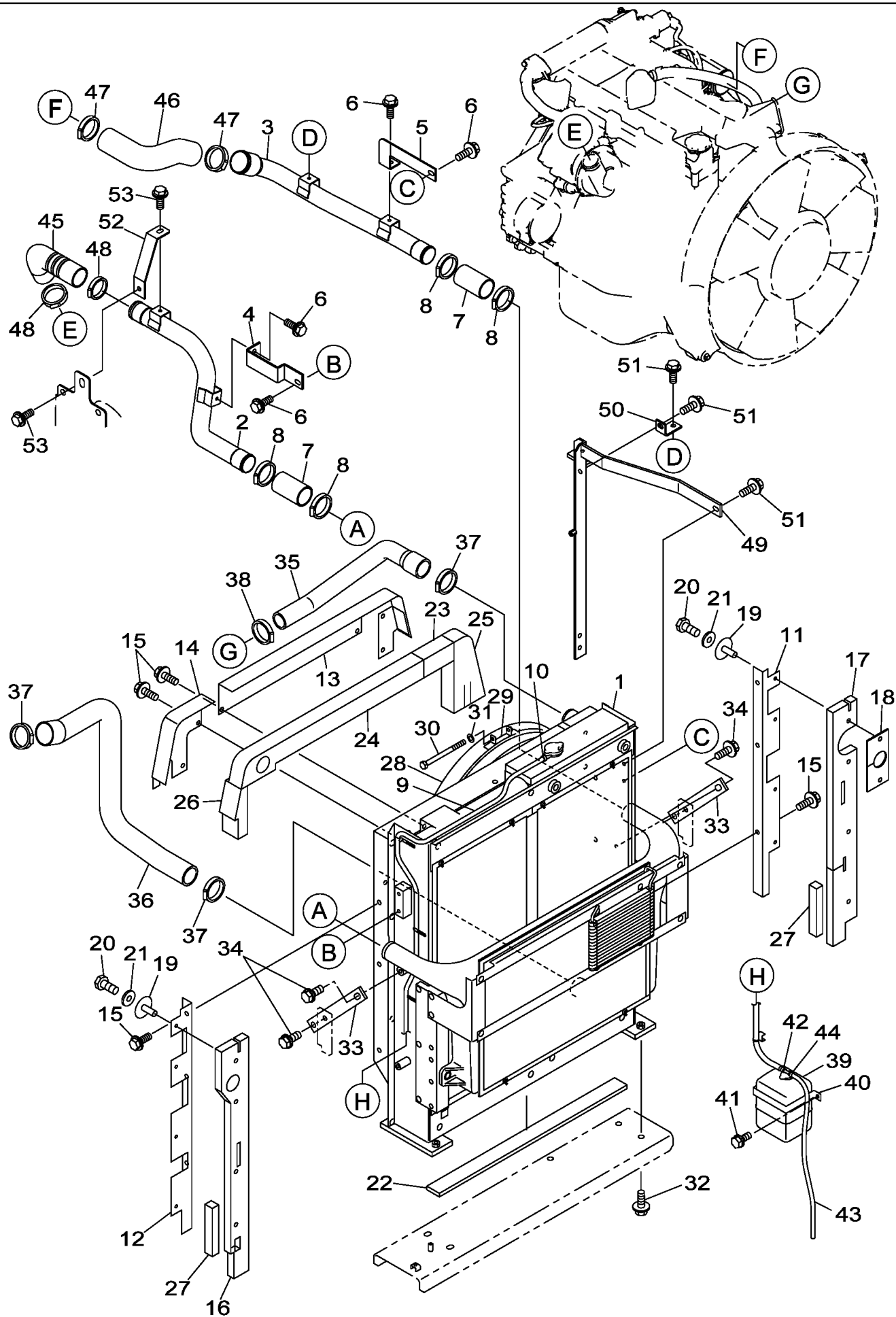
Ref	Part Number	Qty	Description
2	KSH0930	1	FILTER ASSY., , Include(s) 3 - 9
3	KSH0931	1	CASE,
4	KSH0932	1	FILTER, AIR,
5	KSH0933	1	FILTER, AIR,
6	KSH0934	1	COVER,
7	KHB0924	1	VALVE,
8	KSH0935	1	FITTING,
9	NSS	1	NOT SERVICED SEPARATELY,
10	166564A1	1	CAP,
11	166347A1	4	BOLT, M10 x 30
12	KBH10370	1	SUPPORT,
13	152718A1	1	BOLT,
14	KHH10330	1	SENSOR,
15	165818A1	1	ELBOW,
16	KRH1236	1	SEAL,
17	157742A1	1	NUT, M10 x 1.25
18	KRH1237	1	ELBOW,
19	157169A1	1	HOSE, 300 mm
20	165951A1	2	CLAMP,
21	KSH1036	1	HOSE, LARGE,
22	150545A1	1	CLAMP,
23	150855A1	1	CLAMP,
24	KBH10360	1	SUPPORT,
25	166352A1	1	BOLT,
26	KSH1035	1	HOSE, LARGE,
27	150545A1	1	CLAMP,
28	150294A1	1	CLIP, M12 x 30



CX290B CRAWLER EXCAVATOR - TIER III (EUROPE) (1/07-)

02-003-00(01) EXHAUST

Ref	Part Number	Qty	Description
1	KSH0948	1	MUFFLER,
2	KSH1037	1	SUPPORT,
3	KBH0850	2	U-BOLT,
4	150472A1	8	NUT, N M10
5	827-10050	3	BOLT, Hex, M10 x 50, 10.9, M10 x 50
6	150409A1	3	WASHER, W M10
7	150668A1	1	TUBE,
8	165952A1	1	MOUNTING CLIP,
9	KSH1038	1	PIPE, EXHAUST SYSTEM,
10	153856A1	8	NUT, M10 x 1.25
11	KSH0951	1	COLLAR ASSY.,



CX290B CRAWLER EXCAVATOR - TIER III (EUROPE) (1/07-)

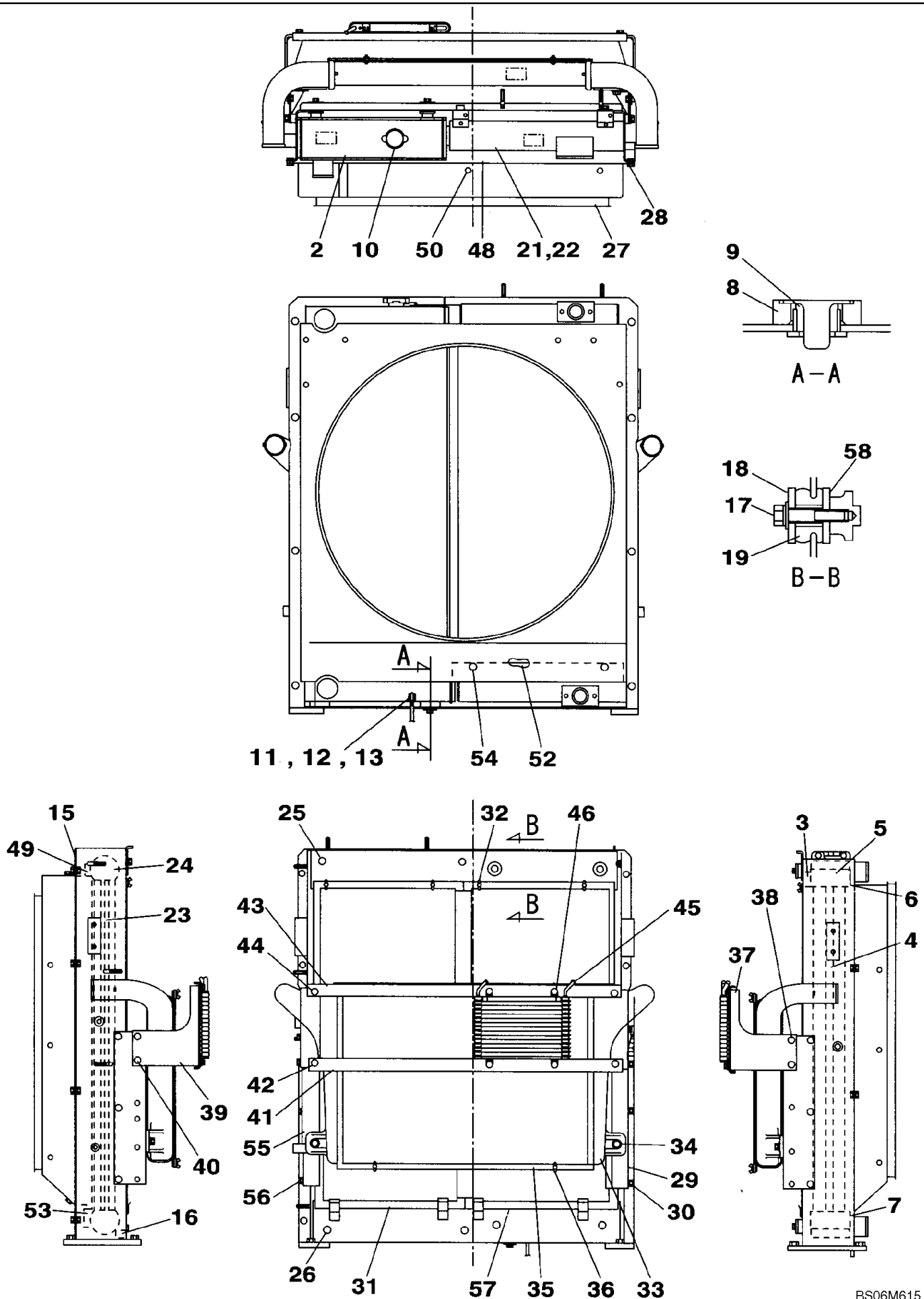
02-004-00(01) ENGINE WATER CIRCUIT - RADIATOR

Ref	Part Number	Qty	Description
1	KBH10290	1	RADIATOR, , See Figure(s) 02-004-01 01
2	KBH10390	1	TUBE, RIGID,
3	KBH10400	1	TUBE, RIGID,
4	KBH10880	1	SUPPORT,
5	KBH10420	1	SUPPORT,
6	152718A1	4	BOLT,
7	KSH1065	2	AIR FLEXIBLE,
8	164967A1	4	CLAMP,
9	KHH0517	1	HOSE, 2000 mm
11	KBH10450	1	SUPPORT,
10	165951A1	1	CLAMP,
12	KBH10430	1	SUPPORT,
13	KBH10890	1	SUPPORT,
14	KBH10900	1	SUPPORT,
15	152718A1	12	BOLT,
16	KBH10520	1	SEAL PROTECTION,
17	KBH10470	1	SEAL PROTECTION,
18	KBH10540	1	PAD, RUBBER,
19	KHH0358	8	RETAINER,
20	827-8040	8	BOLT, Hex, M8 x 40, 10.9, M8 x 40; 10.9
21	895-11008	8	WASHER, M8 x 16 x 1.6,
22	KBH10530	1	SEAL PROTECTION,
23	KBH10490	1	SEAL PROTECTION,
24	KBH10500	1	SEAL PROTECTION,
25	KBH10480	1	SEAL PROTECTION,
26	KBH10510	1	SEAL PROTECTION,
27	KSH1063	2	SEAL,
28	KTH0632	1	BAND,
29	KTH0633	1	BAND,
30	KRH1377	1	SCREW, M5 x 100
31	895-11005	1	WASHER, M5 x 10 x 1,
32	166373A1	4	BOLT, M16 x 40
33	KBH10550	2	STAY,
34	166373A1	4	BOLT, M16 x 40
35	KBH10310	1	HOSE, LARGE,
36	KBH10320	1	HOSE, LARGE,
37	165795A1	3	CLAMP,
38	165794A1	1	CLAMP,
39	KHH10850	1	TANK,
40	167542A1	1	HOLDER,
41	166351A1	2	BOLT, M10 x 20
42	165951A1	1	CLAMP,
43	KHH0499	1	HOSE, 900 mm
44	165952A1	1	MOUNTING CLIP,
45	KSH1031	1	HOSE, LARGE,

CX290B CRAWLER EXCAVATOR - TIER III (EUROPE) (1/07-)

02-004-00(01) ENGINE WATER CIRCUIT - RADIATOR

Ref	Part Number	Qty	Description
46	KSH1032	1	HOSE, LARGE,
47	164968A1	2	CLAMP,
48	164967A1	2	CLAMP,
49	KBH10610	1	FRAME,
50	KBH10600	1	SUPPORT,
51	152718A1	5	BOLT,
52	KBH10870	1	SUPPORT,
53	152718A1	2	BOLT,



CX290B CRAWLER EXCAVATOR - TIER III (EUROPE) (1/07-)

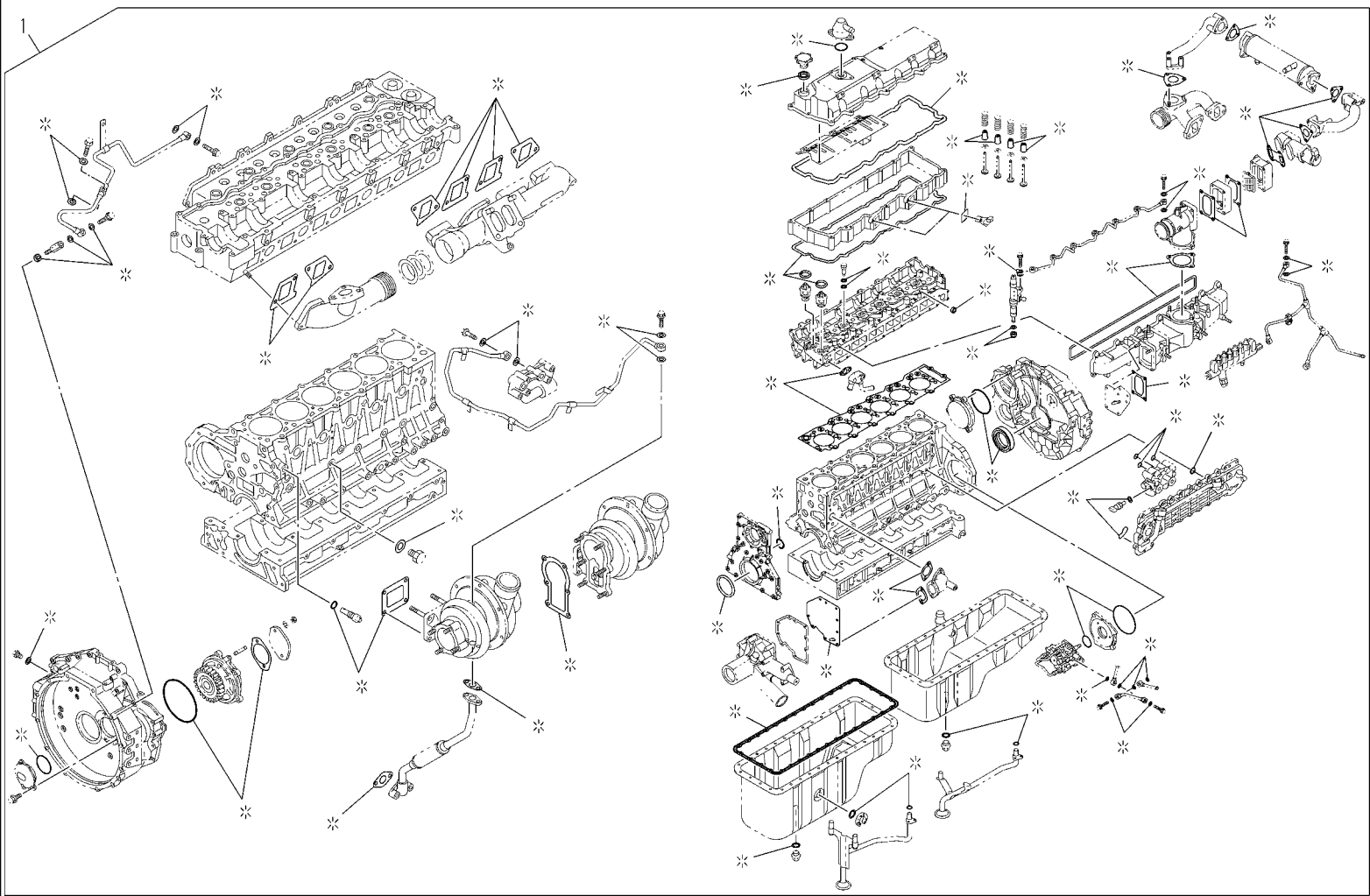
02-004-01(01) RADIATOR ASSY

Ref	Part Number	Qty	Description
	KBH10290	1	RADIATOR, , Include(s) 1 - 58
	LN001720	1	, Include(s) 2 - 7
2	NSS	1	NOT SERVICED SEPARATELY, Radiator
3	LE013270	2	SEAL PROTECTION,
4	LE013280	1	SEAL PROTECTION,
5	LE013290	2	SEAL PROTECTION,
6	LE013300	1	SEAL PROTECTION,
7	LE013310	1	SEAL PROTECTION,
8	LG005900	2	STRIP-GASKET,
9	LG005620	2	STRIP-GASKET,
10	TR00521	1	CAP, RADIATOR,
11	156602A1	1	COCK,
12	LK005540	1	PLUG,
13	LA00804	1	CLIP,
	LT001580	1	HOUSING, , Include(s) 15, 16
15	LT001590	1	
16	LE013320	2	SEAL PROTECTION,
17	LA010480	4	BOLT,
18	LA010490	4	WASHER,
19	LG005910	4	SEAL PROTECTION,
	LN001730	1	COOLER, OIL, , Include(s) 21 - 24
21	LN001740	1	
22	LE013330	1	SEAL PROTECTION,
23	LE013340	1	SEAL PROTECTION,
24	LE013350	4	SEAL PROTECTION,
25	LA00792	2	SCREW,
26	LA00792	2	SCREW,
27	LW005000	1	SHROUD,
28	158870A1	8	BOLT,
29	LS003100	1	SUPPORT,
30	158870A1	3	BOLT,
31	LS003110	1	PROTECTOR,
32	156606A1	4	BOLT,
33	LN001750	1	INTERCOOLER,
34	LA010500	4	BOLT,
35	LG00406	1	PROTECTOR,
36	156606A1	4	BOLT,
37	LS003120	1	SUPPORT,
38	LA00781	2	SCREW,
39	LS003130	1	SUPPORT,
40	LA00781	2	SCREW,
41	LS003140	1	SUPPORT,
42	158870A1	2	BOLT,
43	LS003150	1	SUPPORT,
44	158870A1	2	BOLT,

CX290B CRAWLER EXCAVATOR - TIER III (EUROPE) (1/07-)

02-004-01(01) RADIATOR ASSY

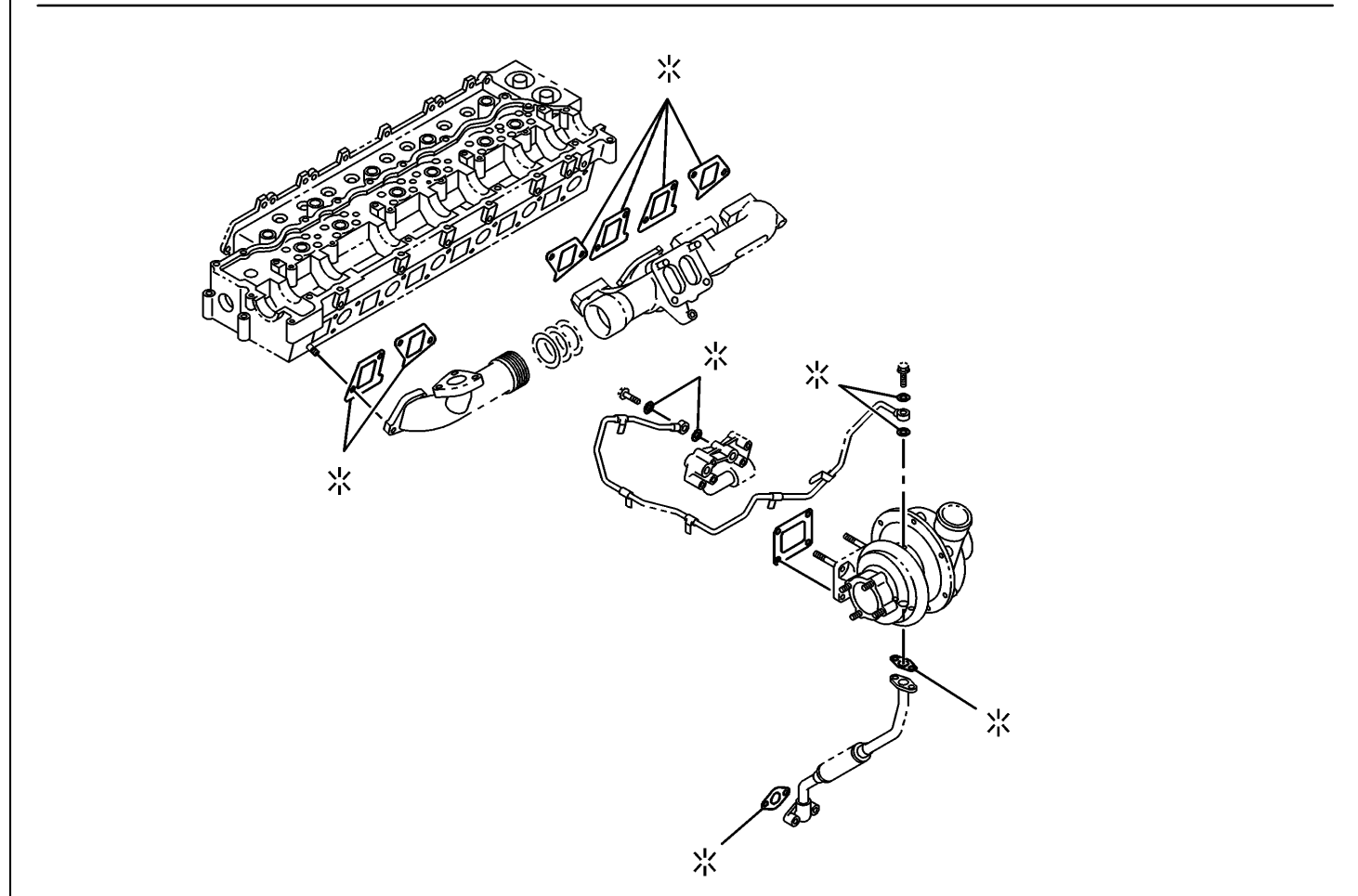
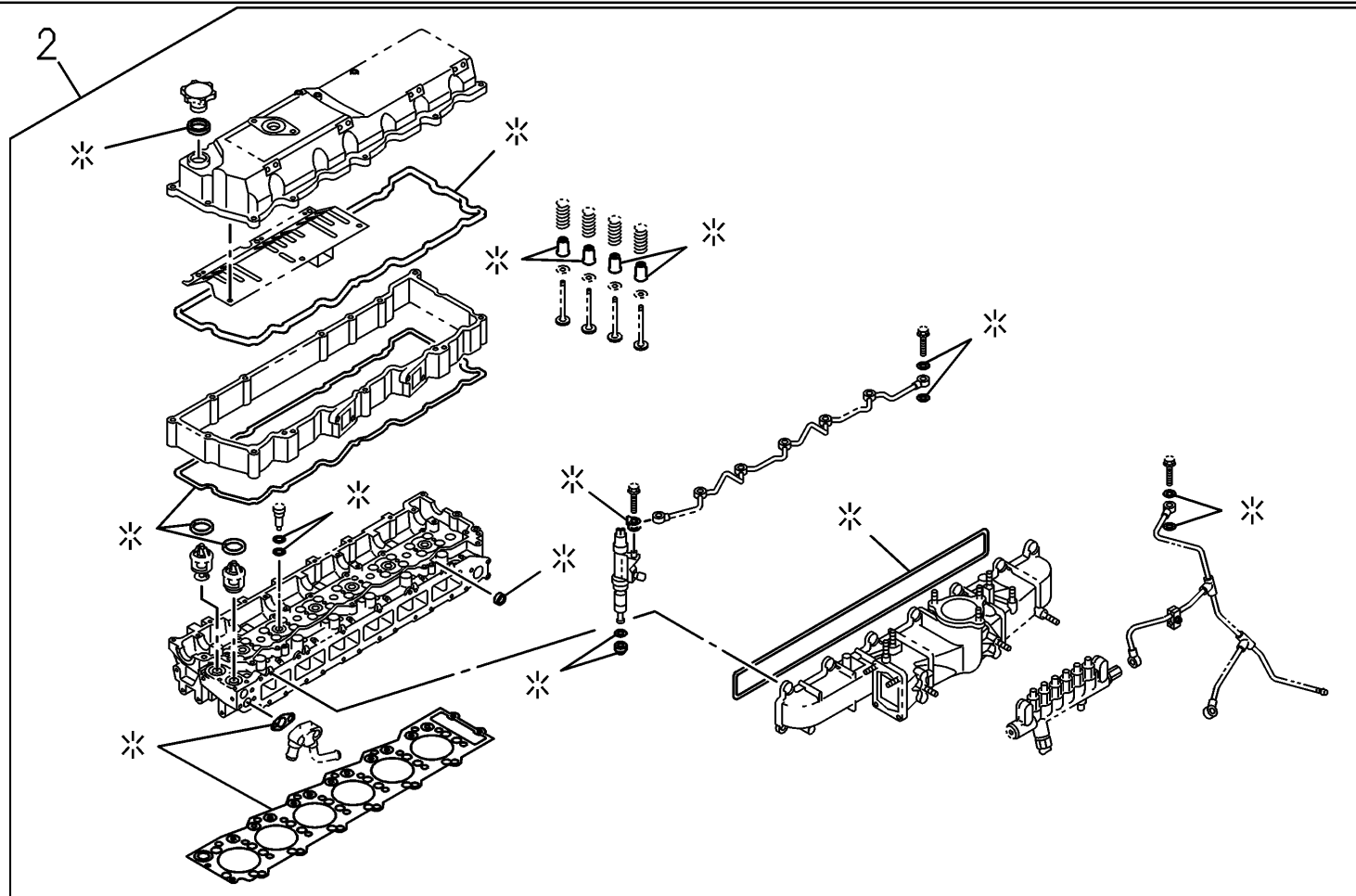
Ref	Part Number	Qty	Description
45	LN001760	1	COOLER,
46	LA00677	4	BOLT,
	LR014610	1	PLATE, , Include(s) 48, 49
48	LR014620	1	
49	LE013360	1	SEAL PROTECTION,
50	158870A1	2	BOLT,
	LR014630	1	PLATE, , Include(s) 52, 53
52	NSS	1	NOT SERVICED SEPARATELY, Plate
53	LE013370	1	SEAL PROTECTION,
54	158870A1	2	BOLT,
55	LS003160	1	SUPPORT,
56	158870A1	3	BOLT,
57	LG005920	1	GRILLE, RADIATOR,
58	LH004680	4	COLLAR,



CX290B CRAWLER EXCAVATOR - TIER III (EUROPE) (1/07-)

02-005-01(01) PACKAGE SEALS - ENGINE

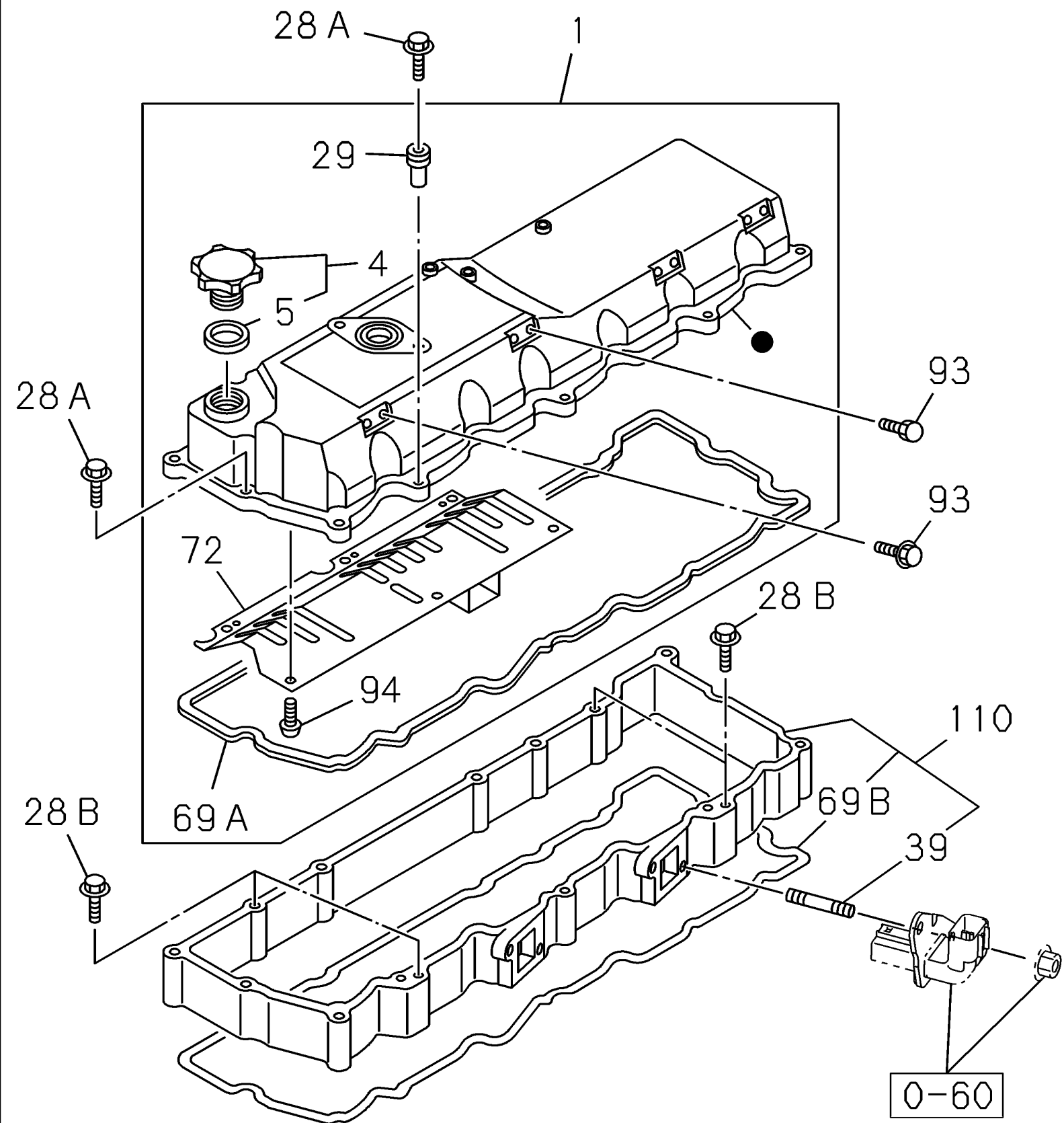
Ref	Part Number	Qty	Description
1	87336450	1	KIT, SEALS,



CX290B CRAWLER EXCAVATOR - TIER III (EUROPE) (1/07-)

02-005-03(01) PACKAGE SEALS - ENGINE

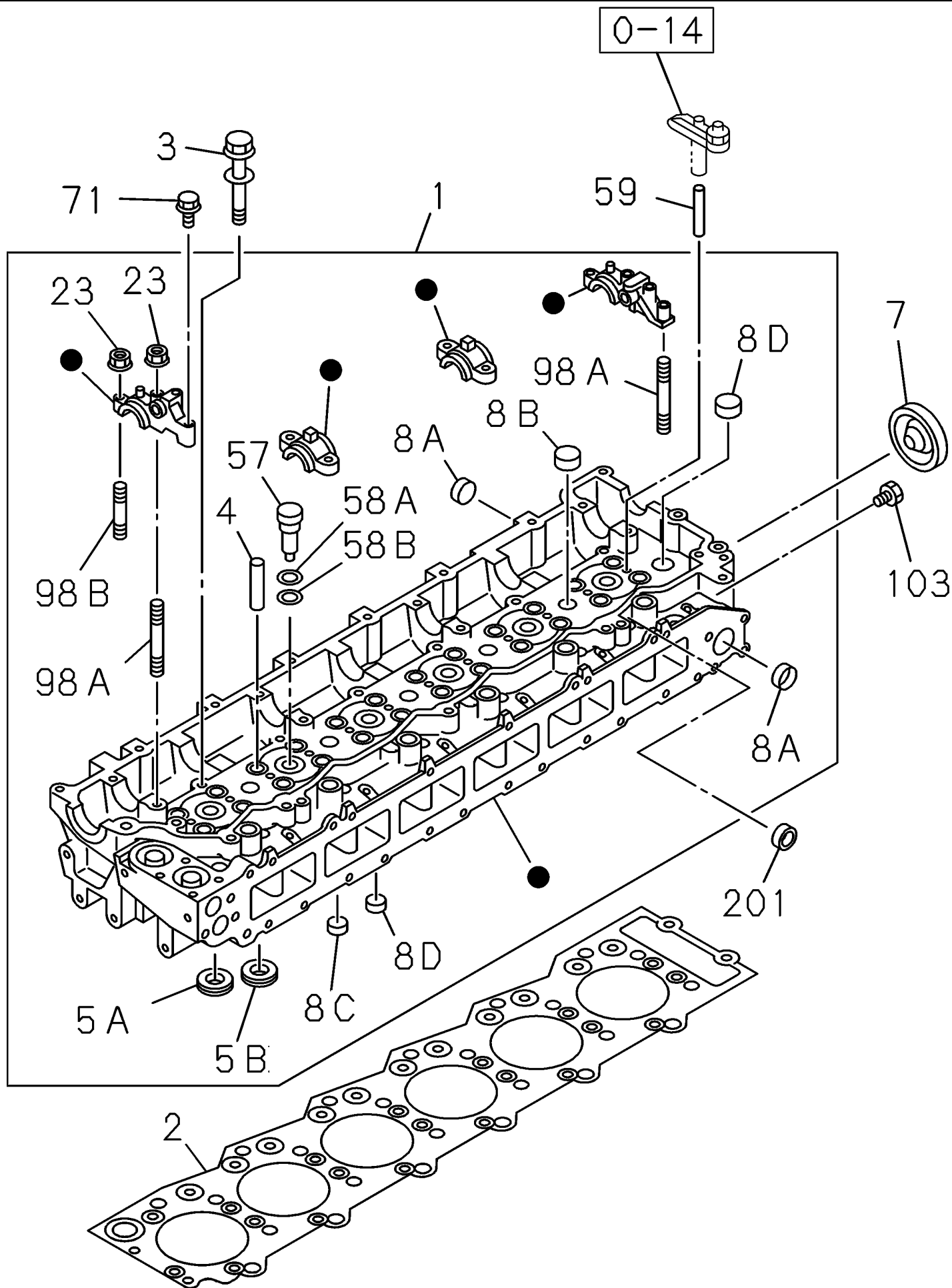
Ref	Part Number	Qty	Description
2	87377902	1	KIT, ENGINE TOP GASKETS,



CX290B CRAWLER EXCAVATOR - TIER III (EUROPE) (1/07-)

02-010-01(01) COVER - CYLINDER HEAD

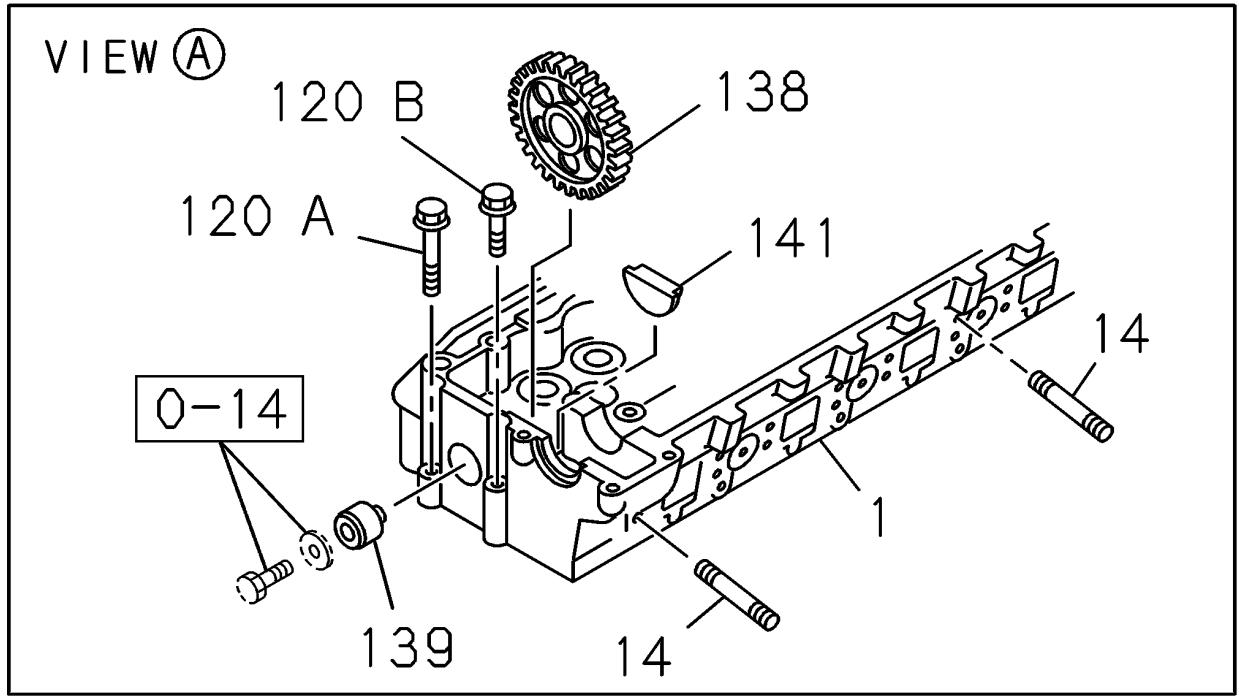
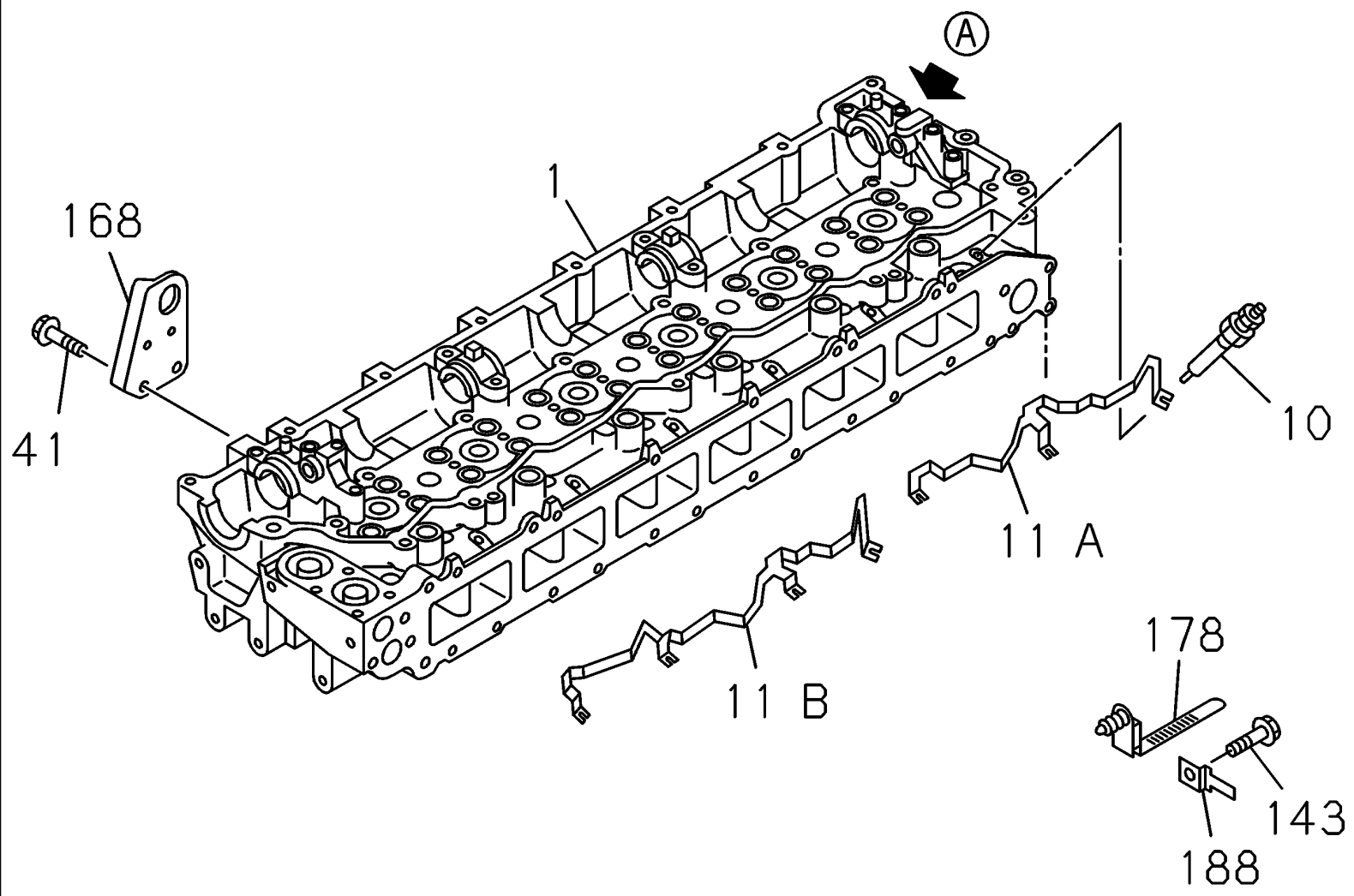
Ref	Part Number	Qty	Description
0-60	REF	1	INSTRUCTION, , See Figure(s) 04-060-03 01
1	87377904	1	COVER, VALVE, , Include(s) 4, 29, 69A, 72, 94
4	288798A1	1	CAP, FILLER, , Include(s) 5
5	288797A1	1	GASKET,
28A	288987A1	11	BOLT, M8 x 70
28B	288985A1	4	BOLT, M8 x 45
29	87379444	11	MOUNTING, RUBBER,
39	438130A1	4	STUD, M8 x 38
69A	438052A1	1	GASKET,
69B	87377907	1	GASKET,
72	438070A1	1	PLATE,
93	288983A1	8	BOLT, M8 x 12
94	438179A1	6	SCREW,
110	87377915	1	COVER, VALVE, , Include(s) 39, 69B



CX290B CRAWLER EXCAVATOR - TIER III (EUROPE) (1/07-)

02-011-01(01) CYLINDER HEAD

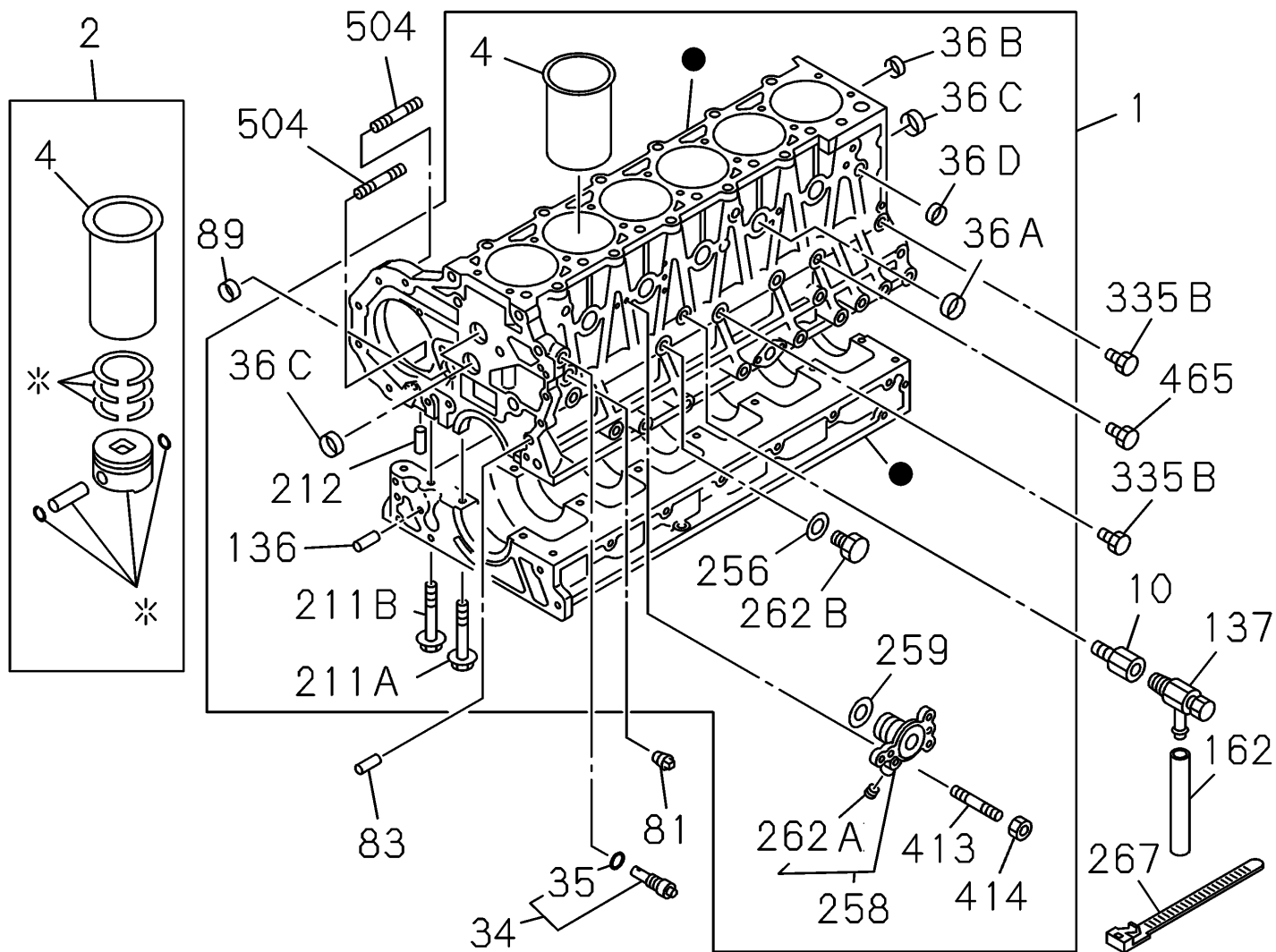
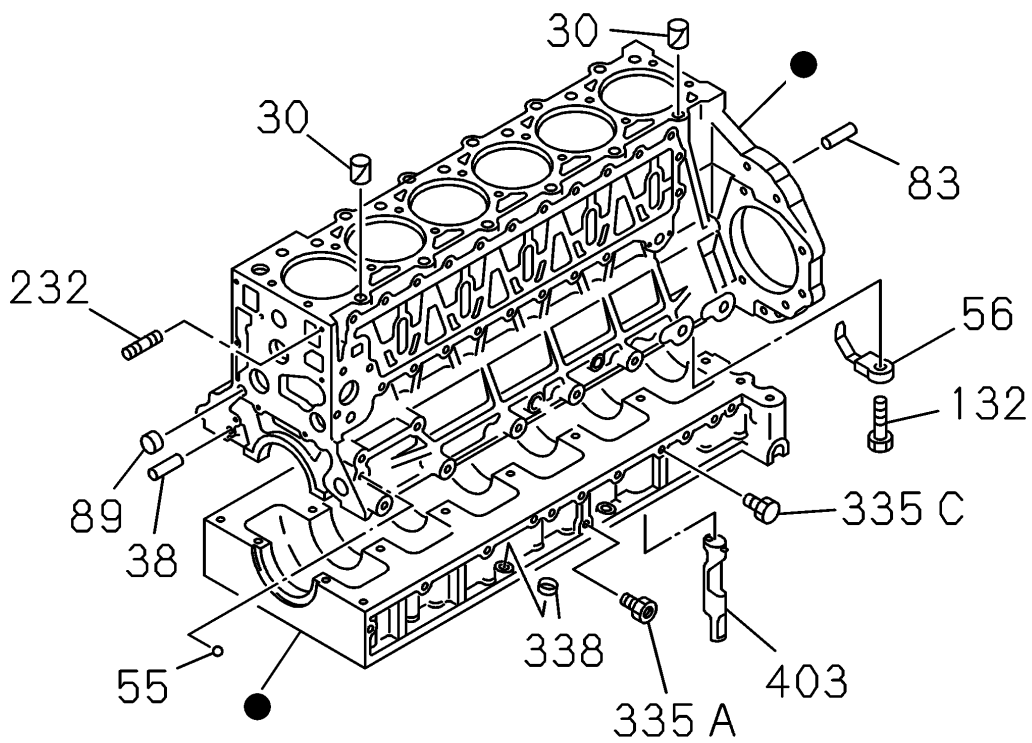
Ref	Part Number	Qty	Description
0-14	REF	1	INSTRUCTION, , See Figure(s) 02-014-01 01
1	87377918	1	CYLINDER HEAD, , Include(s) 4, 5A, 5B, 8A, 8B, 8C, 8D, 23, 57, 58A, 58B, 98A, 98B
2	87377923	1	GASKET, CYLINDER HEAD,
3	438124A1	26	SCREW,
4	438044A1	24	GUIDE,
5A	438119A1	12	SEAT, VALVE, Inlet
5B	87379445	12	SEAT, Exhaust
7	87379446	1	PLUG,
8A	362152A1	7	CUP,
8B	289076A1	6	CUP,
8C	353962A1	7	PLUG,
8D	289852A1	11	CUP,
23	288709A1	8	NUT,
57	87528150	6	HOLDER NOZZLE,
58A	87377928	6	GASKET,
58B	87377929	6	GASKET,
59	87379448	12	GUIDE,
71	419941A1	2	BOLT,
98A	438025A1	2	STUD, M8 x 54 L=79
98B	438026A1	6	STUD, M8 x 41 L=66
103	87377930	1	PLUG,
201	437881A1	6	GASKET,



CX290B CRAWLER EXCAVATOR - TIER III (EUROPE) (1/07-)

02-011-02(01) CYLINDER HEAD

Ref	Part Number	Qty	Description
0-14	REF	1	INSTRUCTION, , See Figure(s) 02-014-01 01
1	87377918	1	CYLINDER HEAD, , See Figure(s) 02-010-01 01
10	438043A1	6	PLUG,
11A	438062A1	1	CONNECTOR,
11B	438075A1	1	CONNECTOR,
14	438137A1	12	STUD,
41	288993A1	2	SCREW, M10 x 20
120A	438152A1	1	SCREW, M10 x 73
120B	438153A1	1	SCREW, M10 x 43
138	438163A1	1	GEAR, Z=41
139	438166A1	1	SHAFT,
141	438154A1	2	PLUG,
143	419935A1	1	BOLT, M8 x 16
168	87379450	1	HANGER,
178	87379451	1	CLIP,
188	87377931	1	BRACKET,



CX290B CRAWLER EXCAVATOR - TIER III (EUROPE) (1/07-)

02-012-01(01) CYLINDER BLOCK

Ref	Part Number	Qty	Description
1	87377934	1	CYLINDER BLOCK, , Include(s) 36A, 36B,36C, 36D, 136, 211A, 211B, 212, 256, 258, 259, 262B, 413, 414
2	87377936	6	KIT, LINER, PISTON, RINGS, OD Grade=1X, Include(s) 4
2	87377937	6	KIT, LINER, PISTON, RINGS, OD Grade=3X, Include(s) 4
4	87435183	6	SLEEVE, OD Grade=1X, ID=N
4	87379453	6	LINER, ENGINE CYLINDER, OD Grade=3X, ID=N
10	438126A1	1	FITTING,
30	438157A1	2	PIN,
34	438081A1	1	VALVE, , Include(s) 35
35	289419A1	1	PACKING,
36A	289074A1	4	CUP,
36B	289076A1	1	CUP,
36C	438142A1	1	PLUG,
36D	87379455	4	PLUG,
38	438159A1	2	PIN,
55	438177A1	1	PLUG,
56	438107A1	6	JET,
81	438139A1	1	PLUG,
83	438159A1	2	PIN,
89	438189A1	3	PLUG,
132	438094A1	6	VALVE,
136	87377938	2	BUSHING,
137	289105A1	1	COCK, DRAIN,
162	87379457	1	HOSE, L350 mm
211A	438124A1	14	SCREW, M14 x 115
211B	438151A1	25	SCREW, M10 x 82
212A	87379458	2	PIN,
212B	87379460	1	STUD,
256	288565A1	1	GASKET,
258	87377941	1	ADAPTER, , Include(s) 262A
259	87379486	1	GASKET,
262A	426638A1	1	PLUG,
262B	87379489	1	PLUG,
267	438022A1	1	CLAMP,
335A	87379491	1	PLUG,
335B	76592283	4	PLUG,
335C	87377930	2	PLUG,
338	357413A1	1	RING,
403	438108A1	1	GUIDE,
413	87379492	2	STUD,
414	288709A1	2	NUT,
465	76592283	2	PLUG,
504	87379493	2	STUD,

BUY NOW

**Then Instant Download
the Complete Manual
Thank you very much!**