



# PARTS CATALOGUE

CX31B  
CASE MINI CRAWLER EXCAVATOR  
(N5GN00812 AND AFTER)

0 - VERSION(00) IDENTIFICATION AND VERSION LIST

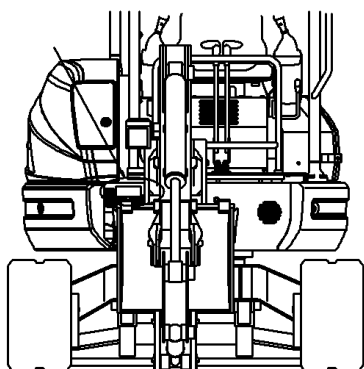
MODELS MODELLI MODELES MODELLE MODELOS	ENGINEERING CODE DENOMINAZIONE TECNICA DESIGNATION TECHNIQUE TECHNISCHE BEZEICHNUNG DESIGNACION TECNICA	ENGINE MODEL MODELLO DEL MOTORE MODELE DU MOTEUR MOTORBAUMUSTER MODELO DEL MOTOR	NUMERICAL CODE CODICE NUMERICO CODE NUMERIQUE KENNUMMER CODIGO NUMERICO
CX31B	72170018 (CAB) 72170017 (CANOPY)	YANMAR 3TNV88-PYB	---

MODELS MODELLI MODELES MODELLE MODELOS	MODEL SERIAL NUMBER - NUMERO DI MATRICOLA DEL MODELLO NUMERO DE SERIE DU MODELE MODELL-SERIENNUMMER - NUMERO DE SERIE DEL MODELO	
	PRODUCT CODE CODICE PRODOTTO CODE DE PRODUCTION PRODUKT KODEX CODIGO DEL PRODUCTO	UNIT NO. TELAIO NUMERO DE L'UNITE EINHEITS-NR. NUM.DE LA UNIDAD
CX31B	CX31B	N5GN000812

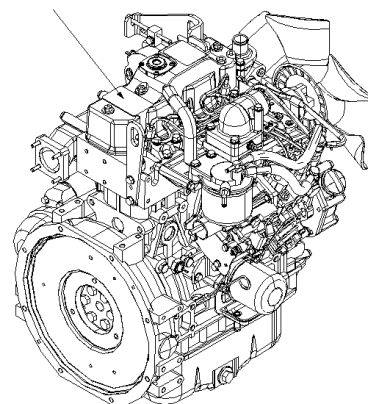
RECORD YOUR SERIAL NUMBERS BELOW - REGISTRATE I VOSTRI NUMERI DI MATRICOLA QUI SOTTO  
ENREGISTREZ VOS NUMEROS DE SERIE CI-DESSOUS - UNTEN SERIENNUMMER VIERMERKEN  
ANOTE AQUI LOS NUMEROS DE SERIE

MACHINE SERIAL NUMBER  
MATRICOLA DELLA MACCHINA  
NUMERO DE SERIE DE LA MACHINE  
SERIENNUMMER DER MASCHINE  
NUMERO DE SERIE DE LA MAQUINA

ENGINE SERIAL NUMBER  
MATRICOLA DEL MOTORE  
NUMERO DE SERIE DU MOTEUR  
SERIENNUMMER DES MOTORS  
NUMERO DE SERIE DEL MOTOR



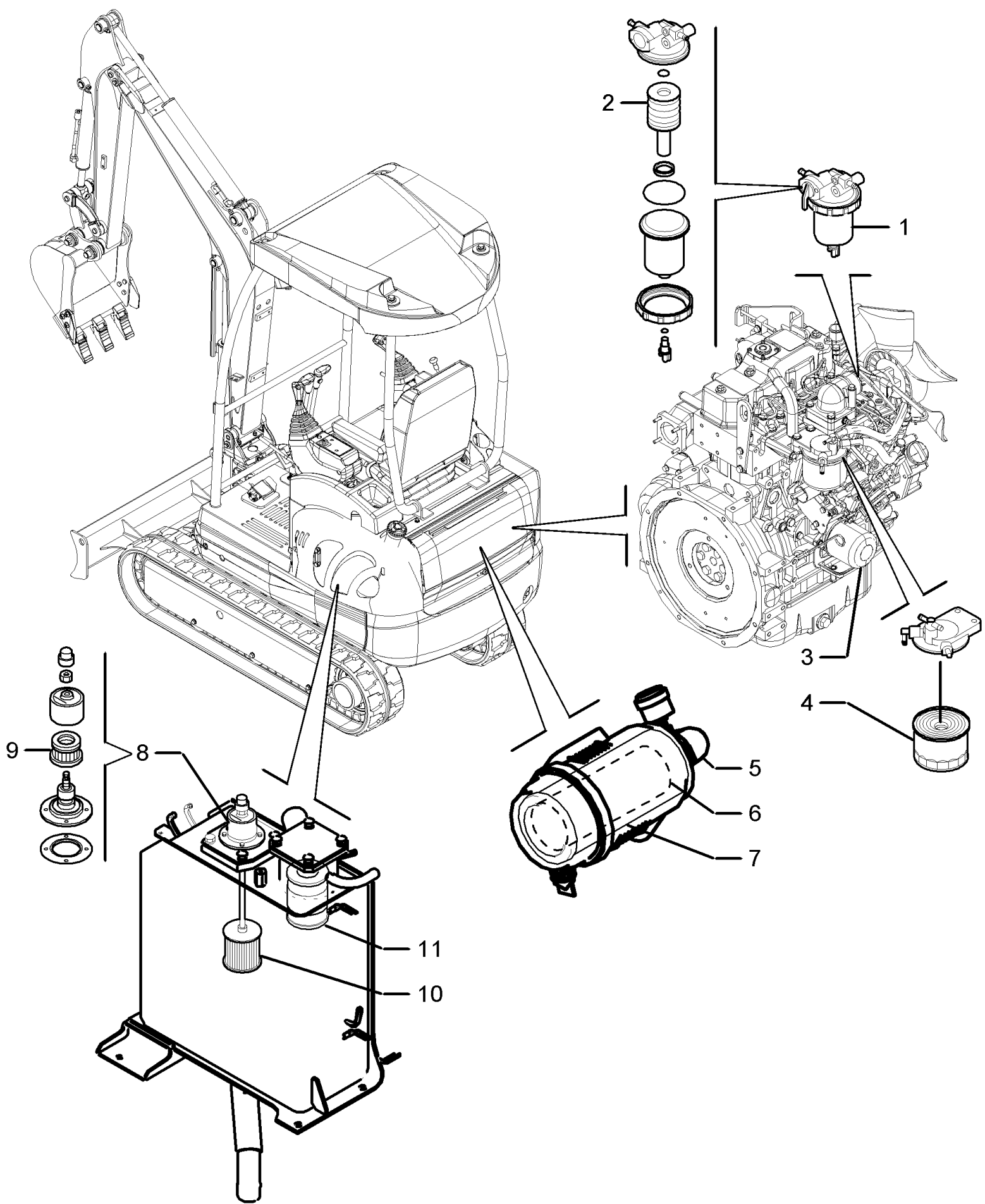
MACHINE SERIAL NUMBER LOCATION  
POSIZIONE DEL NUMERO DI MATRICOLA DELLA MACCHINA  
EMPLACEMENT DU NUMERO DE SERIE DE LA MACHINE  
ORT DER SERIENNUMMER DER MASCHINE  
UBICACION NUMERO DE SERIE DE LA MAQUINA



ENGINE SERIAL NUMBER LOCATION  
POSIZIONE DEL NUMERO DI MATRICOLA DEL MOTORE  
EMPLACEMENT DU NUMERO DE SERIE DU MOTEUR  
ORT DER SERIENNUMMER DES MOTORS  
UBICACION NUMERO DE SERIE DEL MOTOR

0 - VERSION(00) IDENTIFICATION AND VERSION LIST

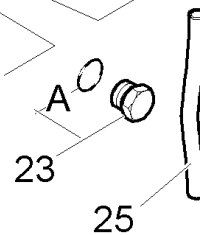
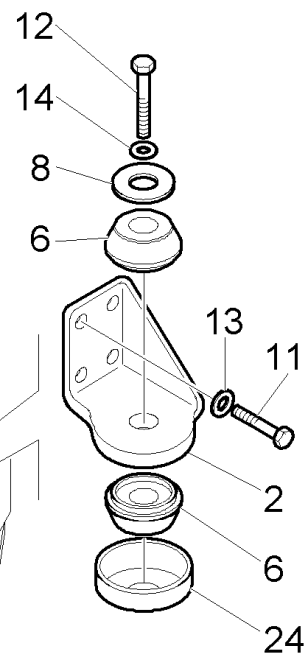
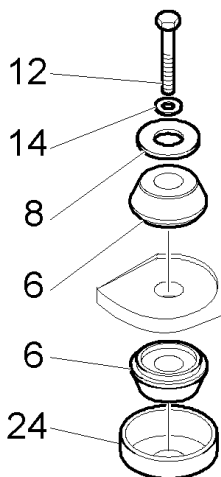
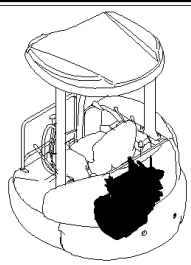
Ref	Part Number	Qty	Description



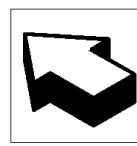
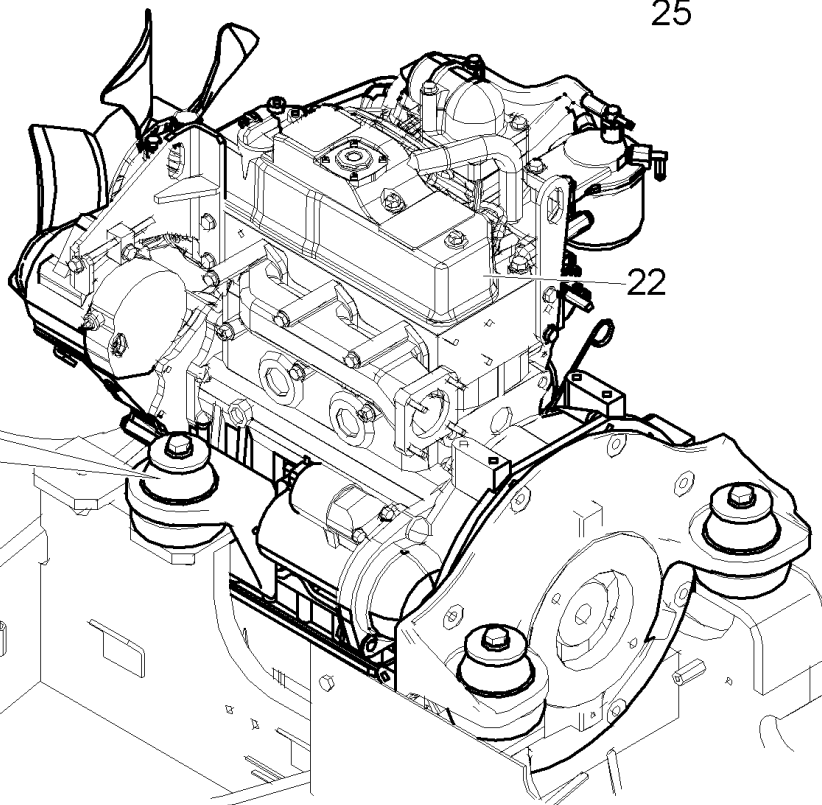
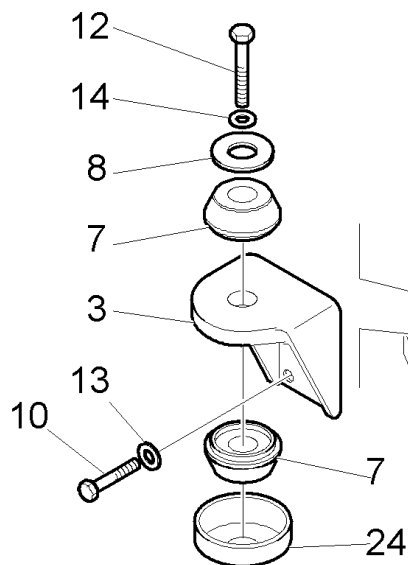
## 0.000(00) MAINTENANCE PARTS

Ref	Part Number	Qty	Description
1	72280600	1	SEPARATOR, , See Page 0.021 - 0.203
2	72280430	1	FILTER, COOLANT, , See Page 0.021 - 0.203
3	72285425	1	FILTER, ENGINE OIL, , See Page 0.305
4	72280422	1	FILTER, FUEL, , See Page 0.021 - 0.203
5	72280589	1	FILTER ASSY., , See Page 0.001A
6	72285434	1	ELEMENT, , See Page 0.001A
7	72285431	1	FILTER, ELEMENT, , See Page 0.001A
8	72284639	1	PLUG, , See Page 1.020 02
9	72281517	1	BREATHER, , See Page 1.020 02
10	72282237	1	STRAINER, ELEMENT, , See Page 1.020 02
11	72285428	1	KIT,

0.000(01) ENGINE INSTALLATIONS



1.000

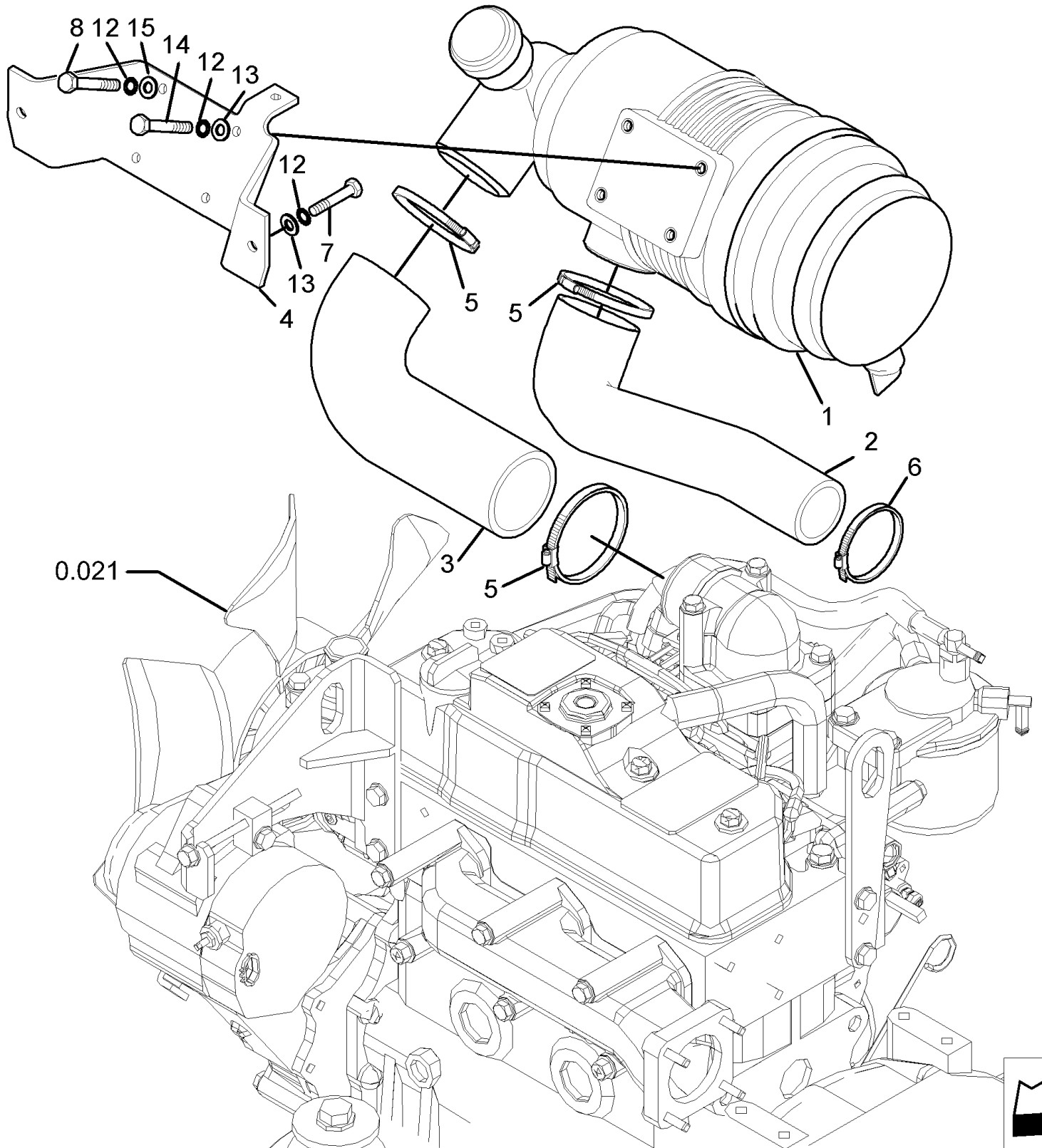
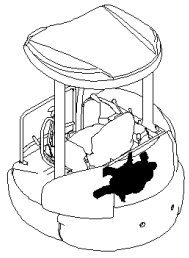


## CX31B MINI CRAWLER EXCAVATOR (N5GN00812 &amp; AFTER) (4/05- )

## 0.000(01) ENGINE INSTALLATIONS

Ref	Part Number	Qty	Description
2	72280518	1	BRACKET,
3	72280519	1	BRACKET,
6	72280520	6	MOUNTING, RUBBER,
7	72280521	2	MOUNTING, RUBBER,
8	72951034	4	WASHER,
10	11106234	4	SCREW, Hex, M10 x 25, 10.9, Full Thd,
11	11106434	4	SCREW, Hex, M10 x 30, 10.9, Full Thd,
12	11114634	4	SCREW, TE M12x120
13	12626221	8	WASHER, Ш10
14	14496721	4	WASHER, M12 x 24 x 2.5, 12x24x2,5
22	72280301	1	ENGINE, , See Page 0.021
23	72280522	1	SET OF PARTS,
23A	72280525	1	O-RING,
24	72280528	4	COVER,
25	72280529	1	HOSE,

0.001(01) AIR CLEANER



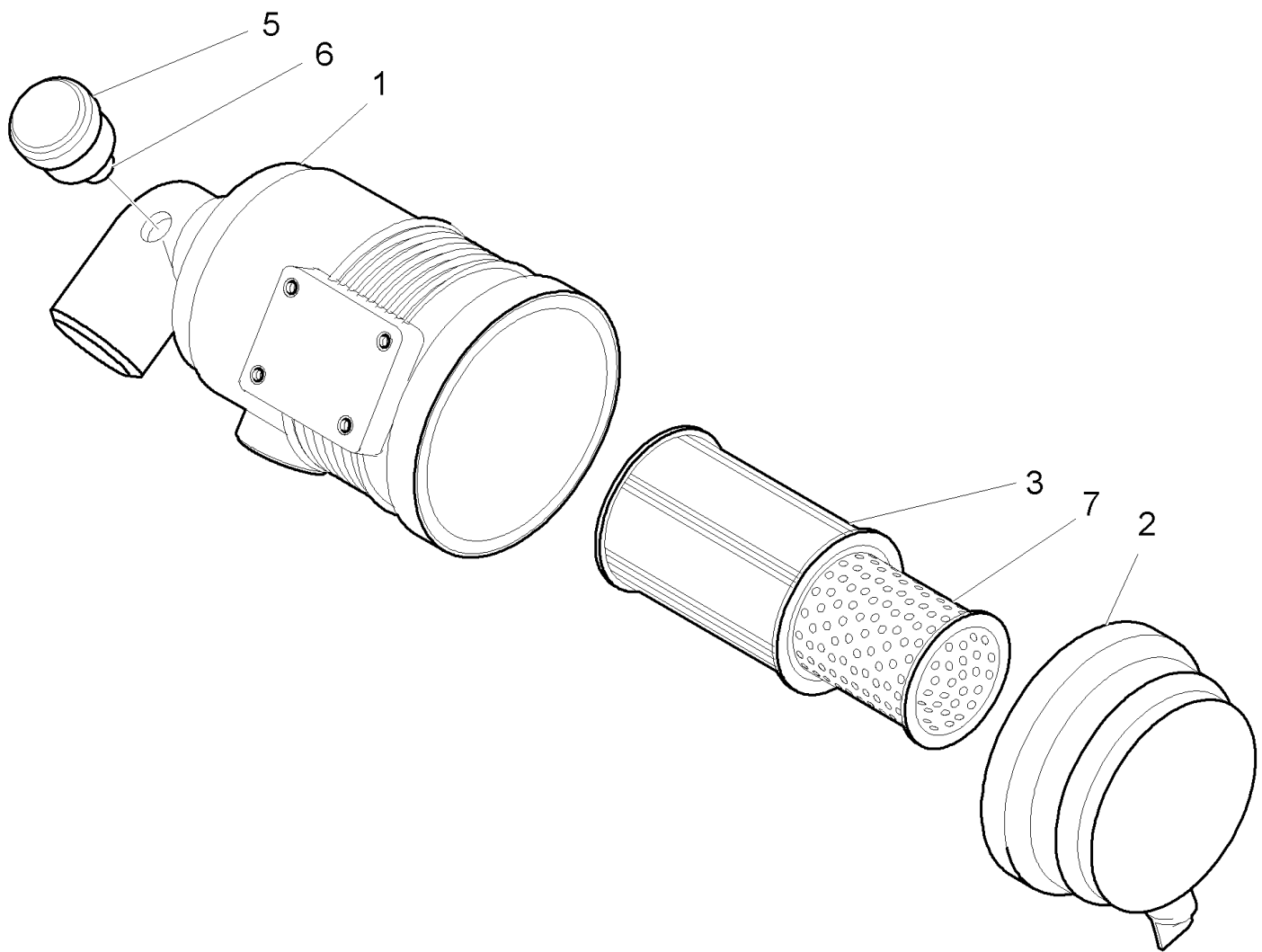
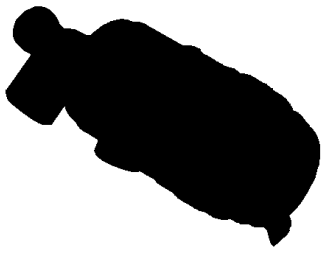


## CX31B MINI CRAWLER EXCAVATOR (N5GN00812 &amp; AFTER) (4/05- )

## 0.001(01) AIR CLEANER

Ref	Part Number	Qty	Description
1	72280589	1	FILTER ASSY., , See Page 0.001A
2	72280586	1	HOSE, LARGE,
3	72280587	1	HOSE, LARGE,
4	87542559	1	BRACKET,
5	87526525	3	CLAMP,
6	87526521	1	CLAMP,
7	16043434	2	SCREW, Hex, M8 x 20, 10.9, Full Thd, TE M8x20
8	16043634	2	SCREW, Hex, M8 x 25, 10.9, Full Thd, TE M8x25
12	10571779	6	WASHER, LOCK, $\text{W}8$
13	14496521	6	WASHER, M8 x 17 x 1.6,
14	16043234	2	SCREW, Hex, M8 x 16, 10.9, Full Thd, TE M8x16
15	12654421	2	WASHER, $\text{W}8$

0.001A(01) AIR CLEANER



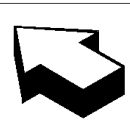
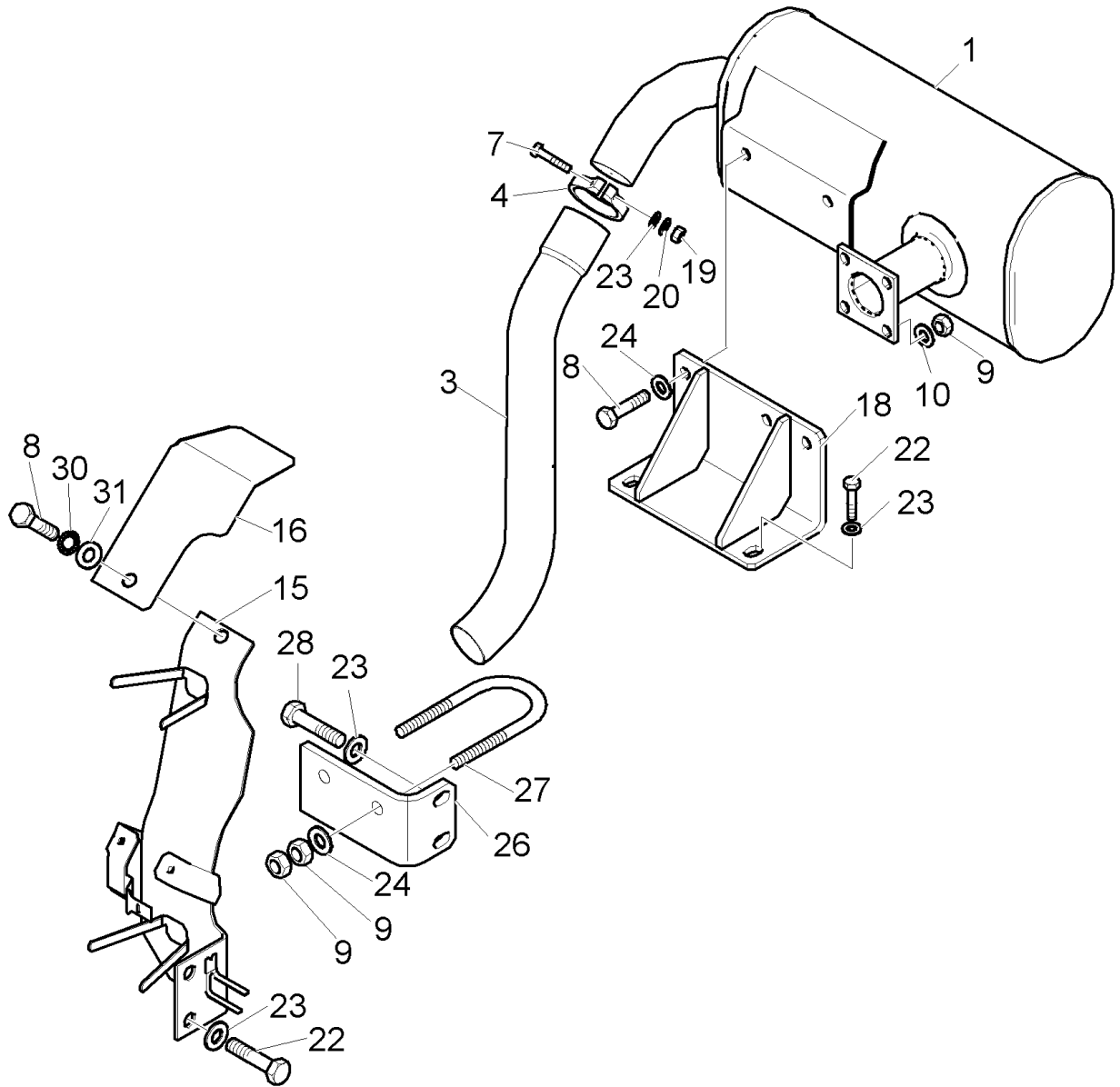
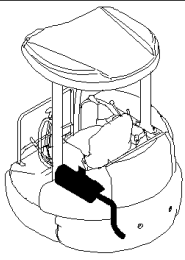
## CX31B MINI CRAWLER EXCAVATOR (N5GN00812 &amp; AFTER) (4/05- )

## 0.001A(01) AIR CLEANER

Ref	Part Number	Qty	Description
1	72280582	1	BODY,
2	72281471	1	COVER ASSY,
3	72285431	1	FILTER, ELEMENT,
5	72280585	1	INDICATOR,
6	87347628	1	PLUG,
7	72285434	1	ELEMENT,

AIR CLEANER, ASSY P/N 72280589

0.002(01) MUFFLER

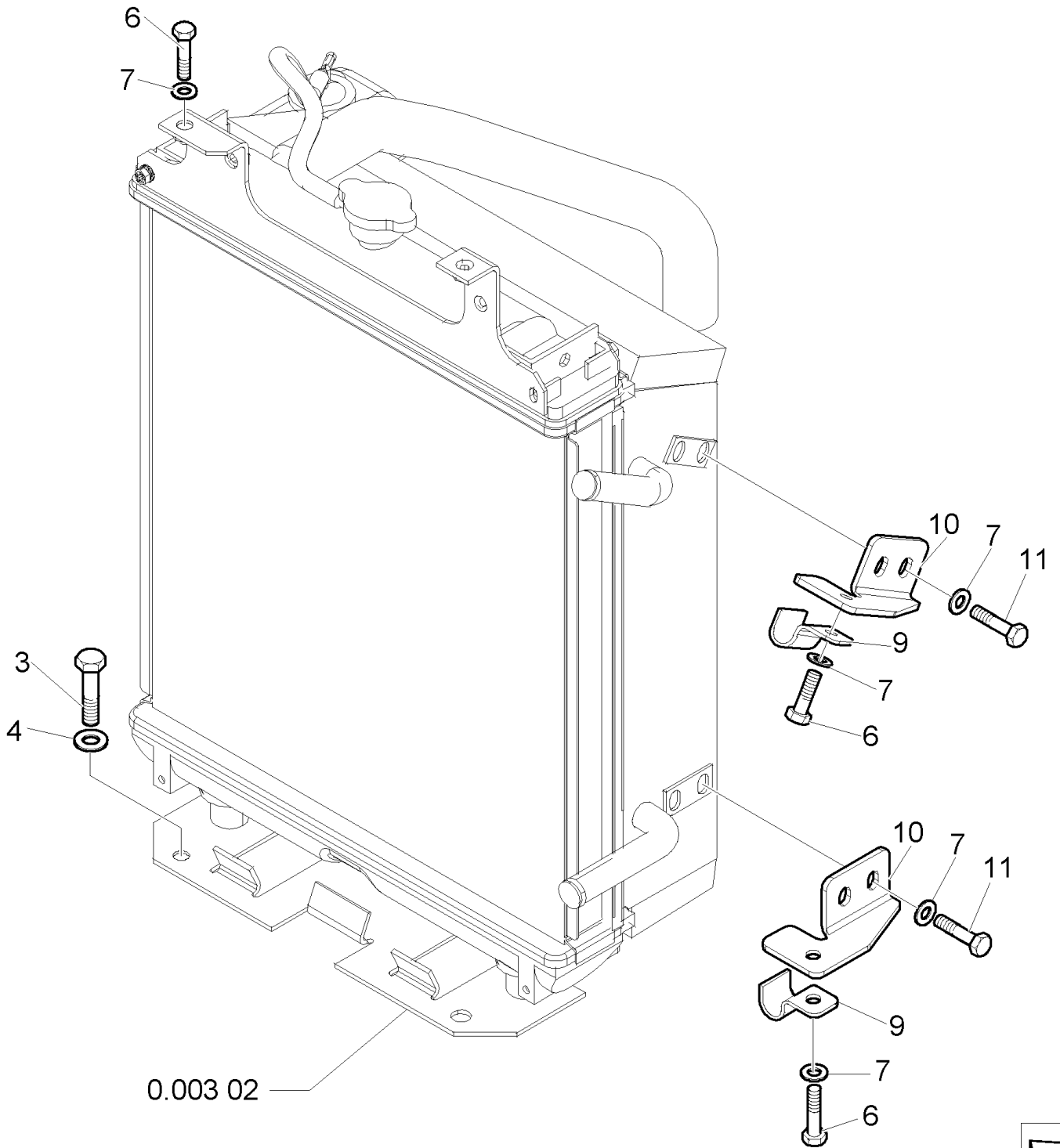
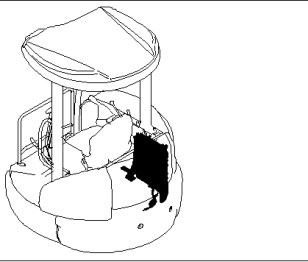


## CX31B MINI CRAWLER EXCAVATOR (N5GN00812 &amp; AFTER) (4/05- )

## 0.002(01) MUFFLER

Ref	Part Number	Qty	Description
1	72280591	1	MUFFLER,
3	72280592	1	PIPE, EXHAUST SYSTEM,
4	87540125	1	CLAMP,
7	11107434	1	SCREW, TE M10x60
8	16043434	7	SCREW, Hex, M8 x 20, 10.9, Full Thd, TE M8x20
9	16100824	8	NUT, M8, CI 10,
10	14496525	4	WASHER, ⅓8
15	72280598	1	COVER,
16	72280594	1	COVER,
18	87540070	1	BRACKET,
19	11701724	1	NUT, M10
20	10571879	1	WASHER, LOCK, M10,
22	11106034	6	SCREW, Hex, M10 x 20, 10.9, Full Thd,
23	12626221	9	WASHER, ⅓10
24	12654421	6	WASHER, ⅓8
26	87540072	1	PLATE,
27	72280597	1	U-BOLT,
28	11106234	2	SCREW, Hex, M10 x 25, 10.9, Full Thd,
30	10571779	3	WASHER, LOCK, ⅓8
31	12646721	3	WASHER, M8 x 20 x 2,

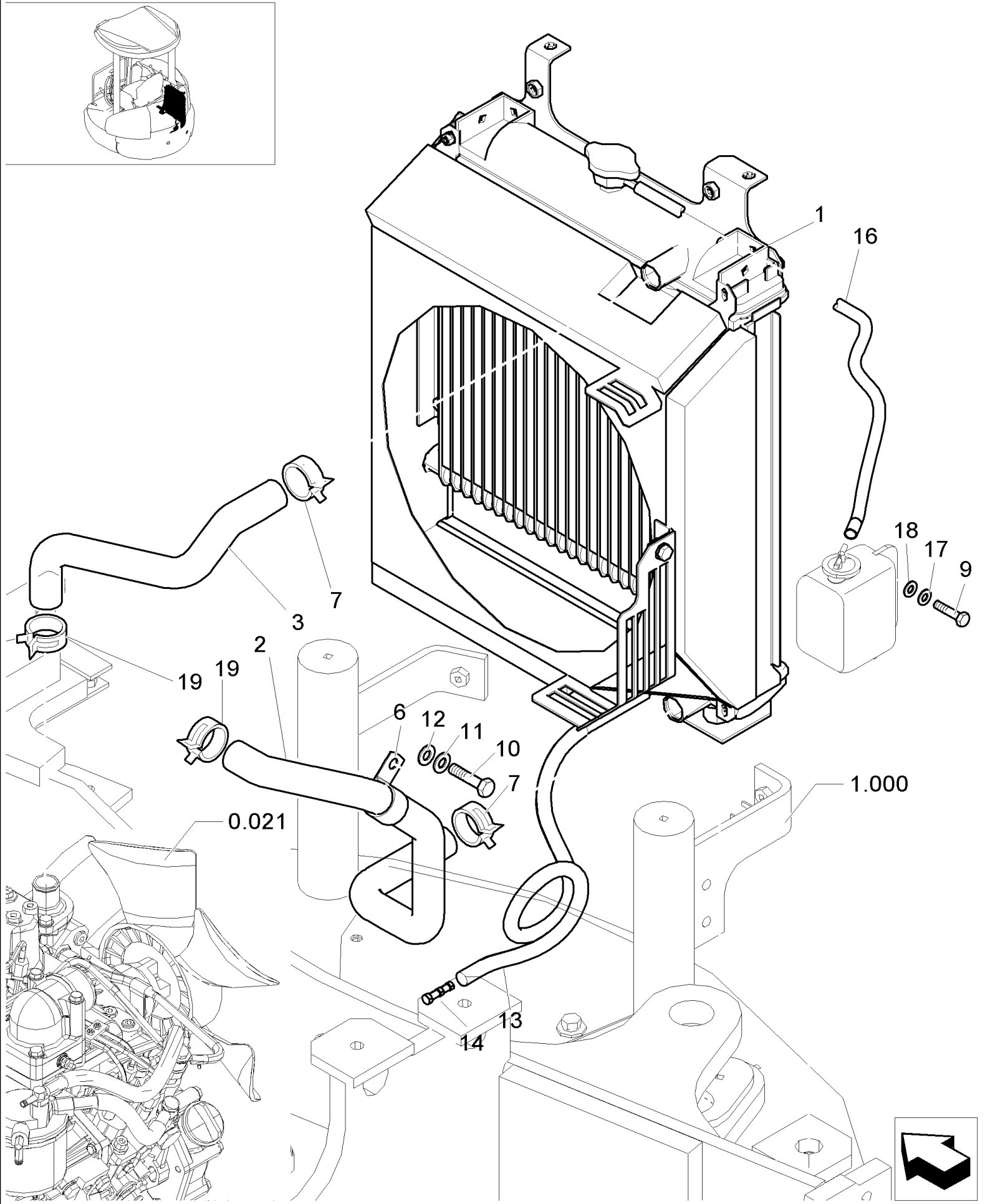
0.003(01) RADIATOR - INSTAL



## 0.003(01) RADIATOR - INSTAL

Ref	Part Number	Qty	Description
3	11106234	2	SCREW, Hex, M10 x 25, 10.9, Full Thd,
4	12626221	2	WASHER, 110
6	16043434	4	SCREW, Hex, M8 x 20, 10.9, Full Thd, TE M8x20
7	12654421	8	WASHER, 118
9	87548383	2	
10	87538408	2	PLATE,
11	16043234	4	SCREW, Hex, M8 x 16, 10.9, Full Thd, TE M8x16

0.003(02) RADIATOR



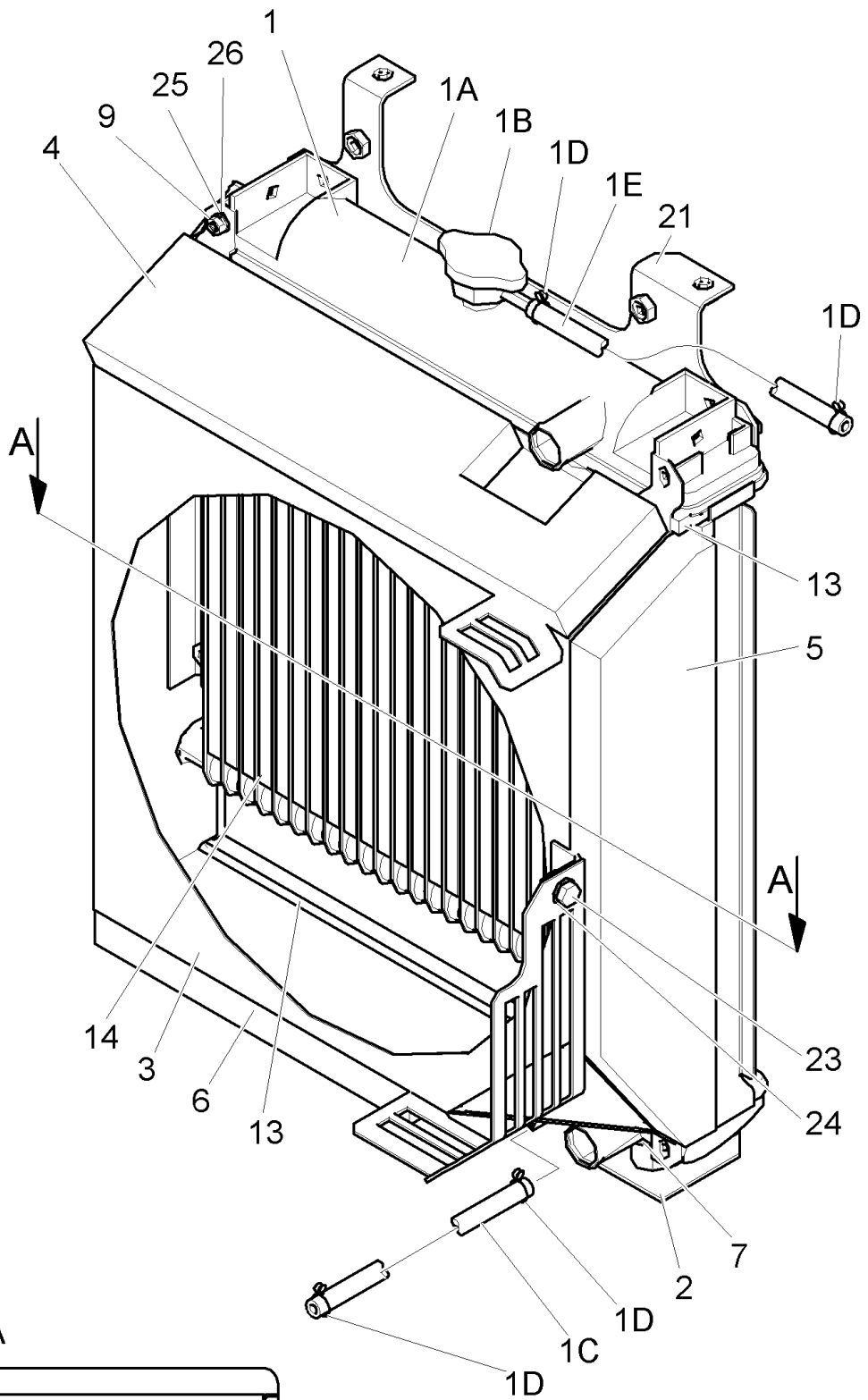
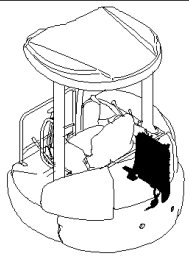


## CX31B MINI CRAWLER EXCAVATOR (N5GN00812 &amp; AFTER) (4/05- )

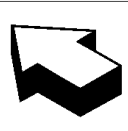
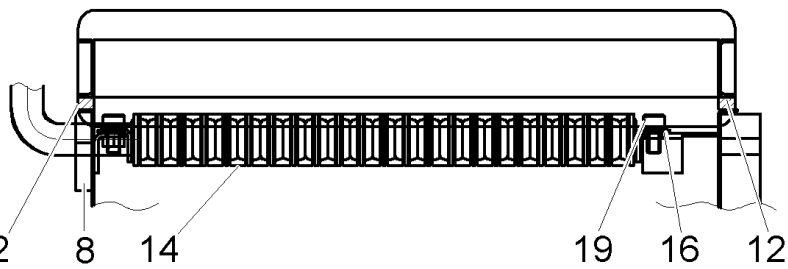
## 0.003(02) RADIATOR

Ref	Part Number	Qty	Description
1	72171326	1	RADIATOR,
2	72280533	1	HOSE, LARGE,
3	72280534	1	HOSE, LARGE,
6	71421085	1	CLIP,
7	13425577	4	CLIP, HOSE,
9	10902434	2	BOLT, Hex, M6 x 20, 10.9, Full Thd,
10	16043234	1	SCREW, Hex, M8 x 16, 10.9, Full Thd, TE M8x16
11	10571779	1	WASHER, LOCK, ⅓8
12	72209113	1	WASHER, ⅓8
13	72950996	1	TUBE,
14	72280535	1	PLUG,
16	72952548	1	TUBE,
17	10571579	2	WASHER, LOCK, M6,
18	10519421	2	WASHER, M6 x 11.95 x 1.6,
19	87526520	2	CLAMP,

0.003(03) RADIATOR - COMPONENTS



A - A



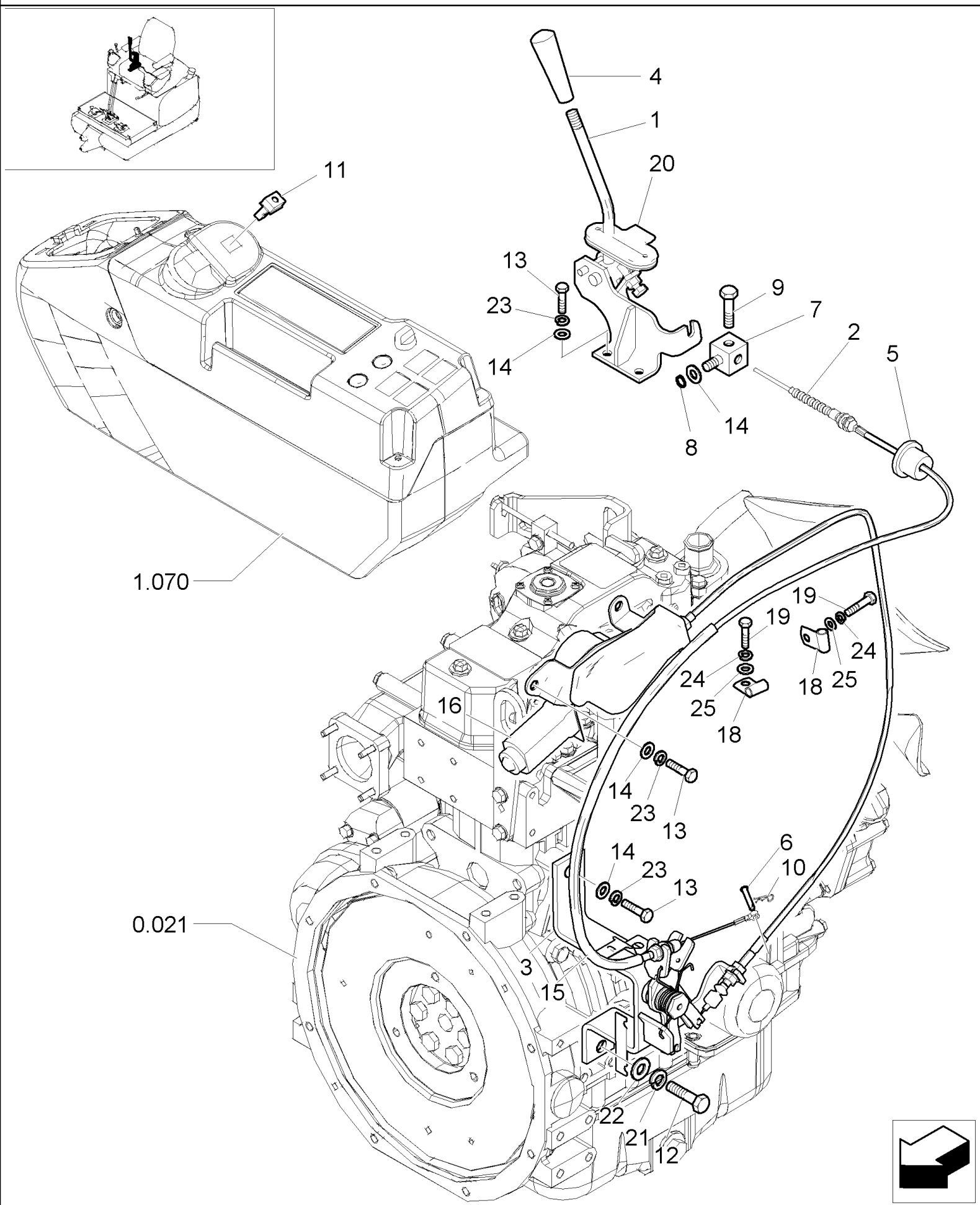
## CX31B MINI CRAWLER EXCAVATOR (N5GN00812 &amp; AFTER) (4/05- )

## 0.003(03) RADIATOR - COMPONENTS

Ref	Part Number	Qty	Description
1	72280541	1	RADIATOR,
1A	72280542	1	RADIATOR,
1B	72951980	1	CAP,
1C	72280581	1	HOSE,
1D	72213766	4	CLIP,
1E	72963126	1	HOSE,
2	87538466	1	BRACKET,
3	72280544	1	SHROUD,
4	72280545	1	INSULATION, FOAM,
5	72280546	1	INSULATION, FOAM,
6	72280547	1	INSULATION, FOAM,
7	72953053	2	GASKET,
8	72280548	2	RUBBER BAND,
9	10902234	6	SCREW, Hex, M6 x 16, 10.9, Full Thd,
10	87538467	1	GUARD,
12	72280576	2	WEATHERSTRIP, RUBBER,
13	72280577	2	WEATHERSTRIP, RUBBER,
14	72280578	1	COOLER, OIL,
16	12638521	4	WASHER, M8 x 15 x 1.5,
19	14306274	4	SCREW, TCE M8x16
21	87538472	1	PLATE,
23	16043234	2	SCREW, Hex, M8 x 16, 10.9, Full Thd, TE M8x16
24	14496521	2	WASHER, M8 x 17 x 1.6,
25	10571579	6	WASHER, LOCK, M6,
26	10519421	6	WASHER, M6 x 11.95 x 1.6,

RADIATOR ASSY P/N 72171326

0.004(01) CONTROL ASSY ENGINE (WITH DECEL)

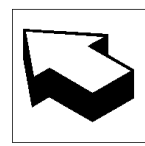
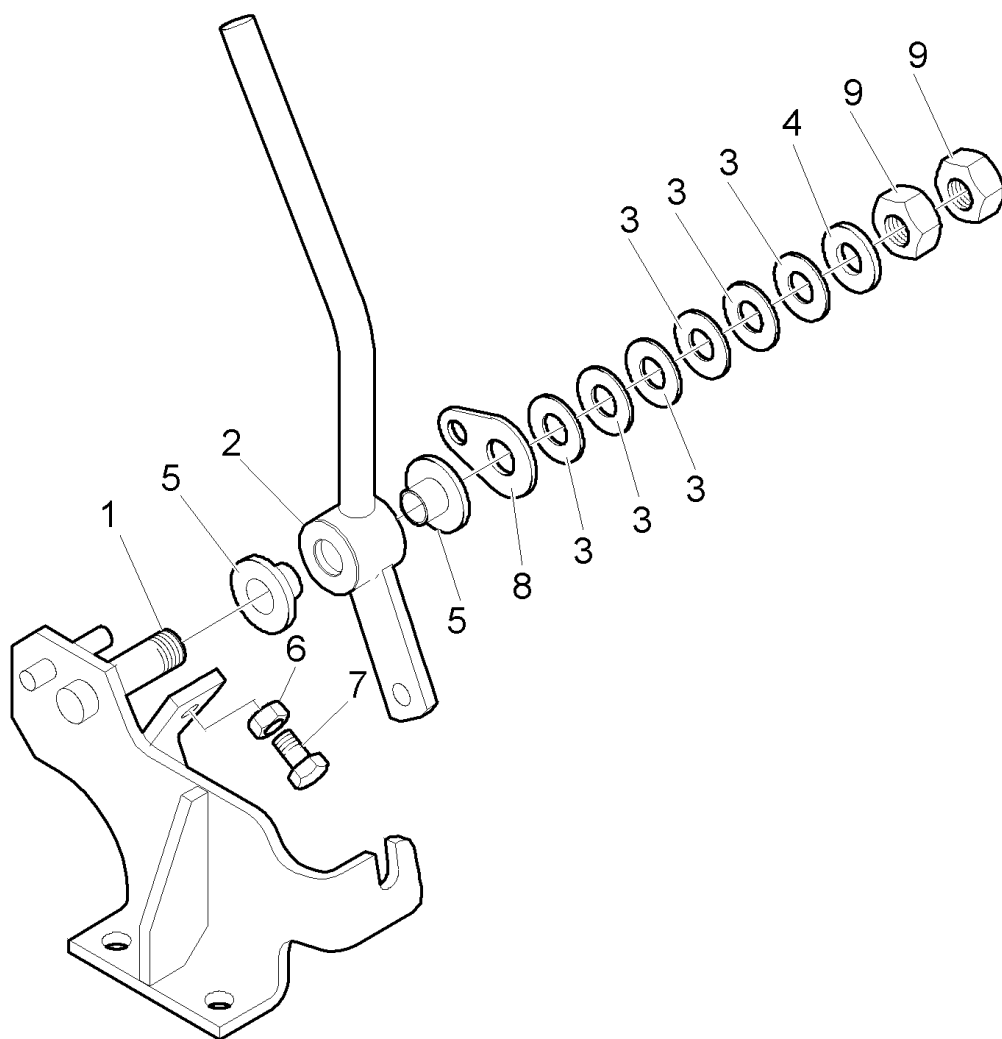
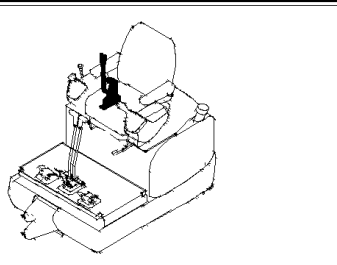


## CX31B MINI CRAWLER EXCAVATOR (N5GN00812 &amp; AFTER) (4/05- )

## 0.004(01) CONTROL ASSY ENGINE (WITH DECEL)

Ref	Part Number	Qty	Description
1	72285118	1	LEVER, Assy, See Page 0.004A
2	72280669	1	CABLE, FLEXIBLE,
3	72280670	1	LEVER, , See Page 0.004B
4	72270424	1	HANDLE,
5	72964388	1	GROMMET,
6	72280677	1	PIN,
7	72285138	1	PIN,
8	72286399	1	RING, D=6
9	10977534	1	BOLT, Hex, M5 x 10, 10.9, Full Thd,
10	72275189	1	PIN, SPLIT (COTTER),
11	72273643	1	SWITCH,
12	11106234	1	SCREW, Hex, M10 x 25, 10.9, Full Thd,
13	16043434	6	SCREW, Hex, M8 x 20, 10.9, Full Thd, TE M8x20
14	14496521	7	WASHER, M8 x 17 x 1.6,
15	72285477	1	TUBE,
16	72280679	1	MOTOR, ELECTRIC, , See Page 0.004C
18	71405774	2	COLLAR, RETAINER,
19	10902234	2	SCREW, Hex, M6 x 16, 10.9, Full Thd,
20	72280681	1	GROMMET,
21	10571879	1	WASHER, LOCK, M10,
22	14496621	1	WASHER, M10 x 21 x 2,
23	10571779	6	WASHER, LOCK, ⅜
24	10571579	2	WASHER, LOCK, M6,
25	10519421	2	WASHER, M6 x 11.95 x 1.6,

0.004A(01) LEVER ASSY THROTTLE - COMPONENTS

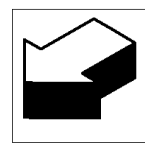
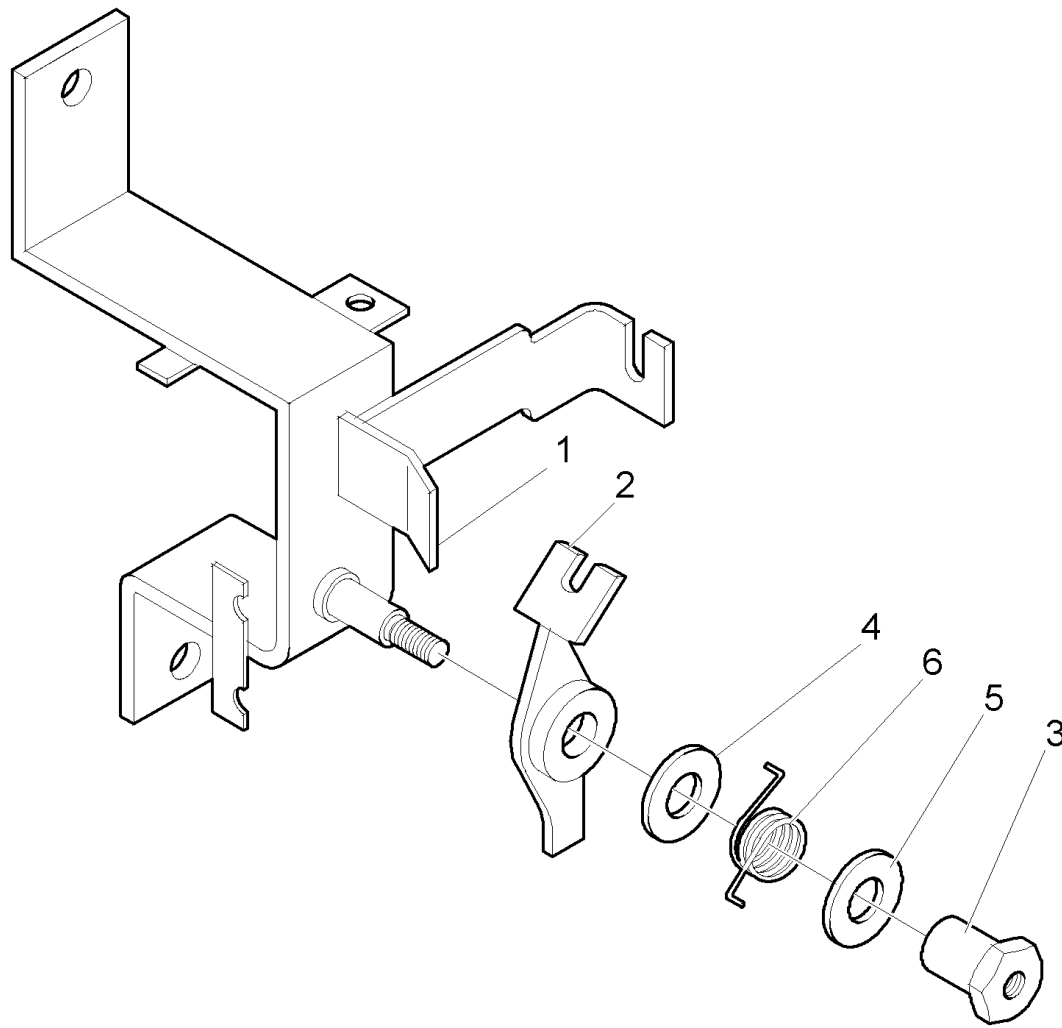
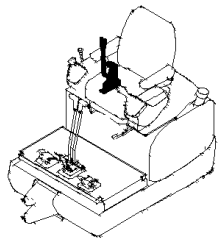


## 0.004A(01) LEVER ASSY THROTTLE - COMPONENTS

Ref	Part Number	Qty	Description
1	72285131	1	BRACKET,
2	72285132	1	LEVER,
3	72951517	6	WASHER,
4	72283448	1	WASHER,
5	72283050	2	BUSHING,
6	72210038	1	NUT, M8
7	72950380	1	SCREW, TE M8x30
8	72950947	1	PLATE,
9	72951654	2	NUT, M12

LEVER ASSY THROTTLE P/N 72285118

0.004B(01) LINK ASSY - COMPONENTS





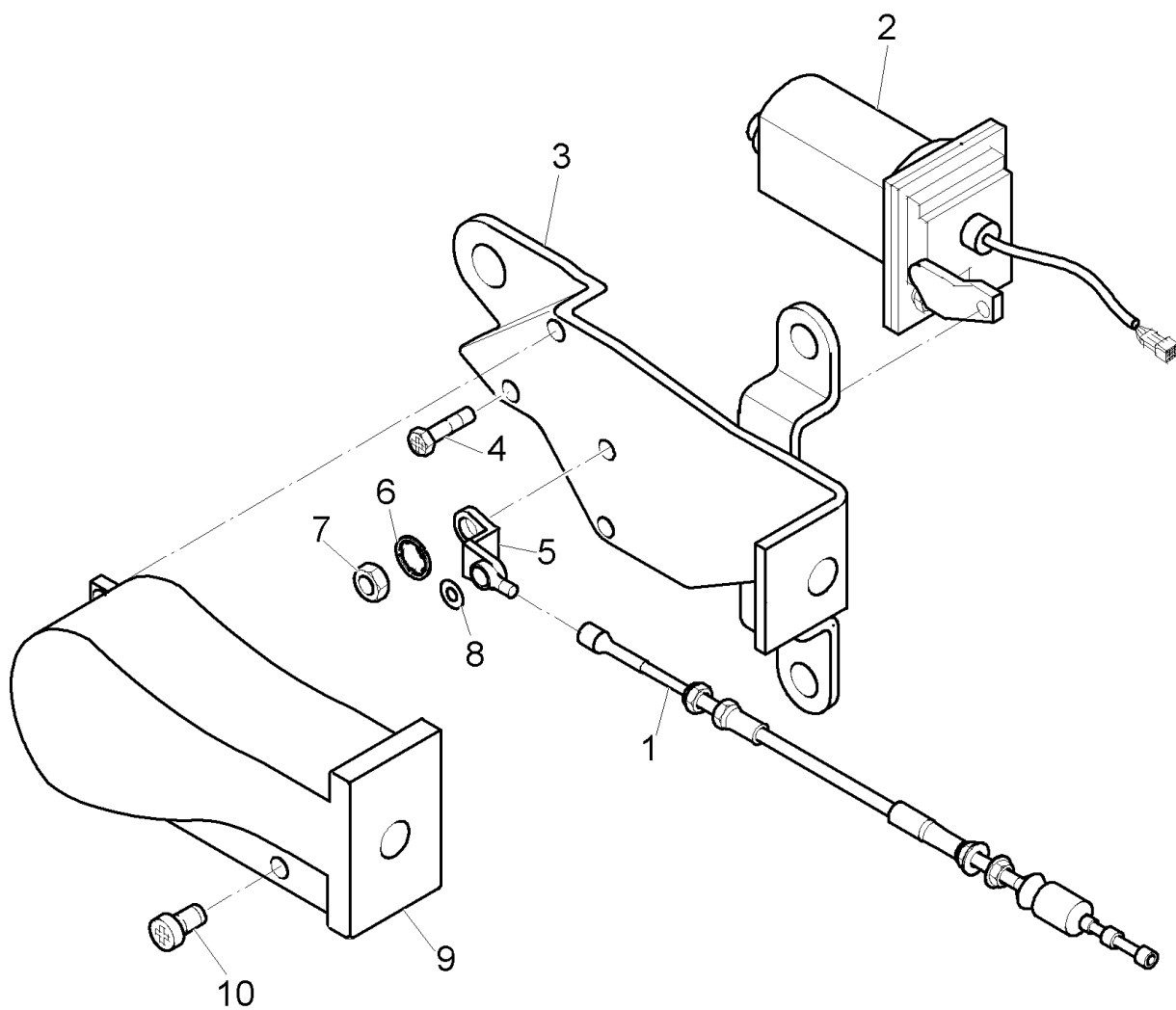
## CX31B MINI CRAWLER EXCAVATOR (N5GN00812 &amp; AFTER) (4/05- )

## 0.004B(01) LINK ASSY - COMPONENTS

Ref	Part Number	Qty	Description
1	72280714	1	BRACKET,
2	72280672	1	LEVER,
3	72281534	1	NUT,
4	72281535	1	WASHER,
5	72281536	1	WASHER,
6	72281537	1	SPRING,

LINK ASSY P/N 72280670

0.004C(1) MOTOR GOVERNOR ASSY - COMPONENTS

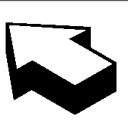
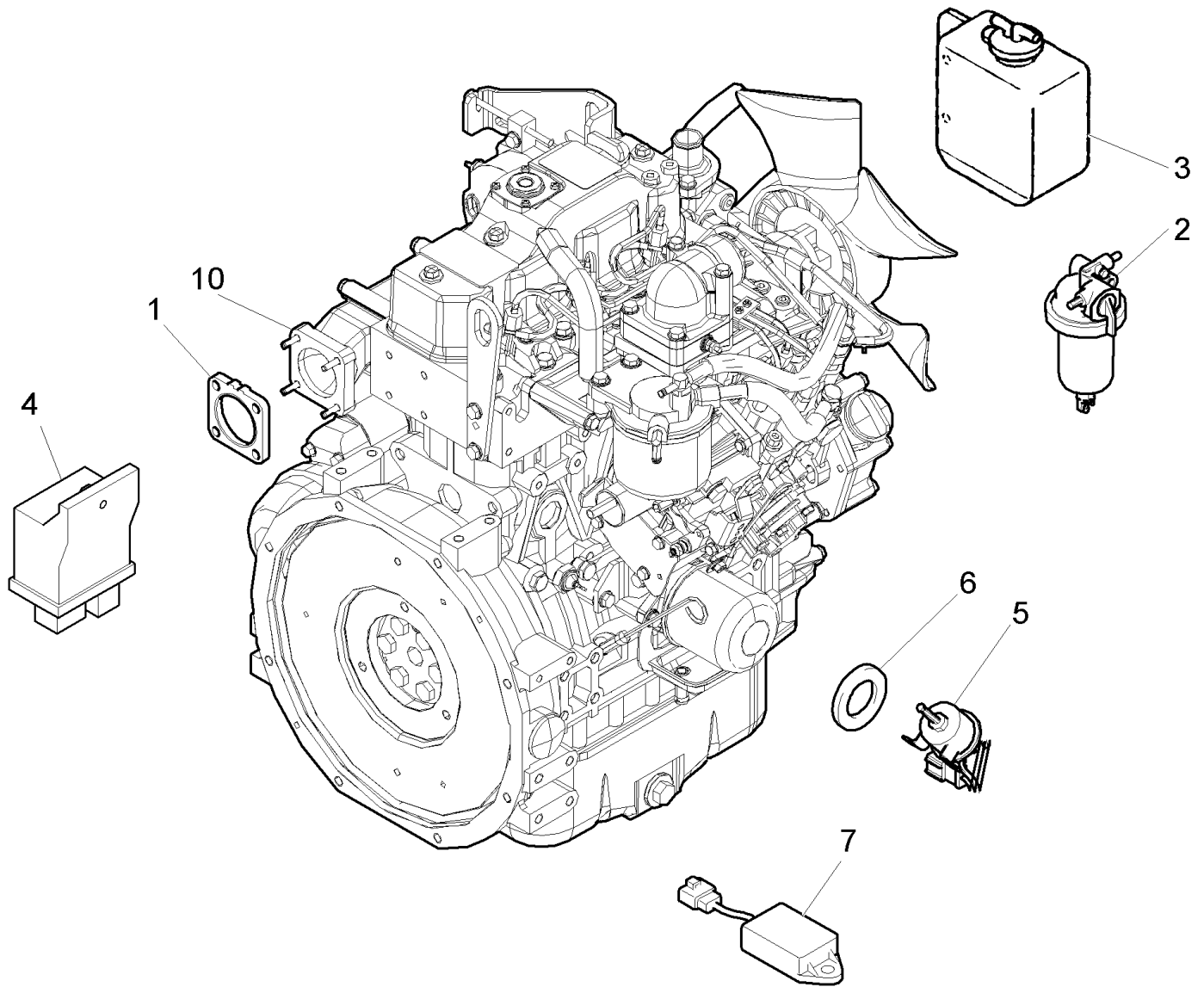
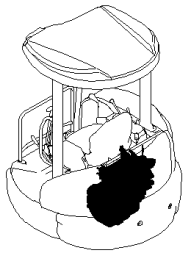


## 0.004C(1) MOTOR GOVERNOR ASSY - COMPONENTS

Ref	Part Number	Qty	Description
1	72280683	1	CABLE,
2	72280684	1	MOTOR, ELECTRIC, SMALL,
3	72280685	1	BRACKET,
4	72280686	3	SCREW,
5	72280687	1	LEVER,
6	72280688	1	WASHER, LOCK,
7	72280689	1	NUT,
8	72280690	1	RING,
9	72280691	1	COVER,
10	72280692	2	SCREW,

MOTOR GOVERNOR ASSY P/N 72280679

0.021(01) DIESEL ENGINE - KIT



## CX31B MINI CRAWLER EXCAVATOR (N5GN00812 &amp; AFTER) (4/05- )

## 0.021(01) DIESEL ENGINE - KIT

Ref	Part Number	Qty	Description
1	72280593	1	GASKET, , See Page 0.077
2	72280600	1	SEPARATOR, , See Page 0.203
3	72271530	1	TANK, , See Page 0.323
4	72281260	1	RELAY, , Item Supplied With Relay Assy
5	72280608	1	PUMP, FUEL, , See Page 0.203
6	72273660	1	GASKET, , See Page 0.323
7	72273635	1	SWITCH, , Item Supplied With Relay Assy
10	72285508	1	ENGINE,

DIESEL ENGINE, KIT P/N 72280301

**BUY NOW**

**Then Instant Download  
the Complete Manual  
Thank you very much!**