



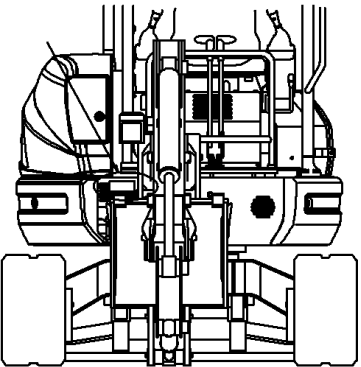
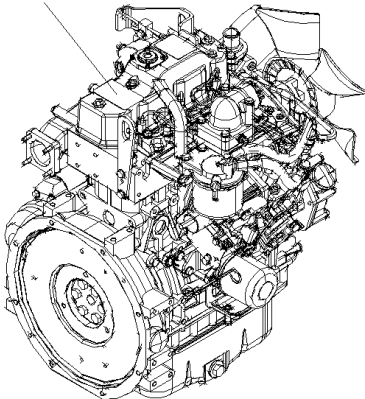
# PARTS CATALOGUE

CX50B  
CASE MINI CRAWLER EXCAVATOR  
(N5GN01157 AND AFTER)

MODELS MODELLI MODELES MODELLE MODELOS	ENGINEERING CODE DENOMINAZIONE TECNICA DESIGNATION TECHNIQUE TECHNISCHE BEZEICHNUNG DESIGNACION TECNICA	ENGINE MODEL MODELLO DEL MOTORE MODELE DU MOTEUR MOTORBAUMUSTER MODELO DEL MOTOR	NUMERICAL CODE CODICE NUMERICO CODE NUMERIQUE KENNUMMER CODIGO NUMERICO
CX50B	72170024 (CAB) 72170023 (CANOPY)	YANMAR 3TNV88-PYB	---

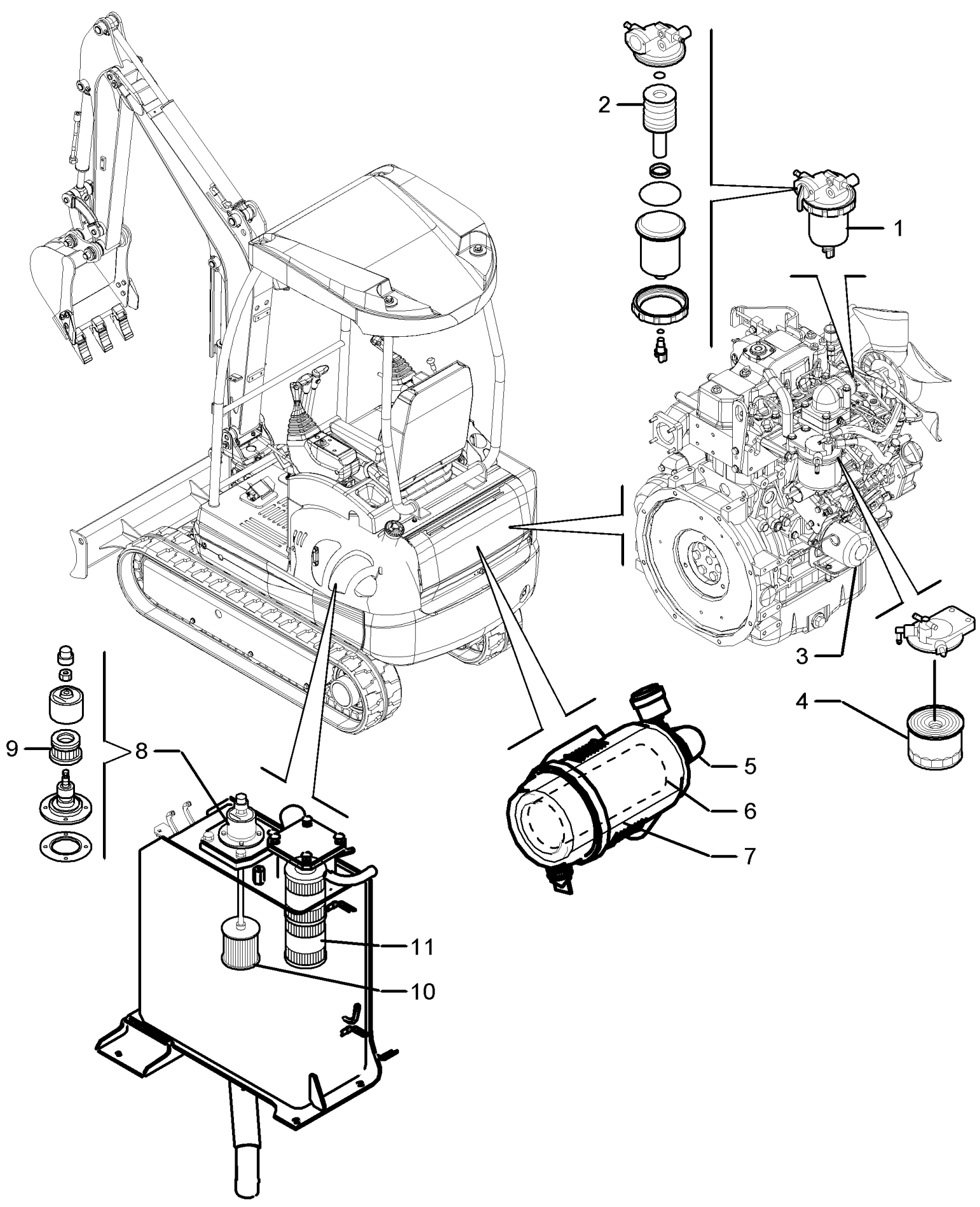
MODELS MODELLI MODELES MODELLE MODELOS	MODEL SERIAL NUMBER - NUMERO DI MATRICOLA DEL MODELLO NUMERO DE SERIE DU MODELE MODELL-SERIENNUMMER - NUMERO DE SERIE DEL MODELO	
	PRODUCT CODE CODICE PRODOTTO CODE DE PRODUCTION PRODUKT KODEX CODIGO DEL PRODUCTO	UNIT NO. TELAIO NUMERO DE L'UNITE EINHEITS-NR. NUM.DE LA UNIDAD
CX50B	N5GN01157	

RECORD YOUR SERIAL NUMBERS BELOW - REGISTRATE I VOSTRI NUMERI DI MATRICOLA QUI SOTTO  
ENREGISTREZ VOS NUMEROS DE SERIE CI-DESSOUS - UNTEN SERIENNUMMER VIERMERKEN  
ANOTE AQUI LOS NUMEROS DE SERIE

MACHINE SERIAL NUMBER MATRICOLA DELLA MACCHINA NUMERO DE SERIE DE LA MACHINE SERIENNUMMER DER MASCHINE NUMERO DE SERIE DE LA MAQUINA	ENGINE SERIAL NUMBER MATRICOLA DEL MOTORE NUMERO DE SERIE DU MOTEUR SERIENNUMMER DES MOTORS NUMERO DE SERIE DEL MOTOR
_____	_____
 <p>MACHINE SERIAL NUMBER LOCATION POSIZIONE DEL NUMERO DI MATRICOLA DELLA MACCHINA EMPLACEMENT DU NUMERO DE SERIE DE LA MACHINE ORT DER SERIENNUMMER DER MASCHINE UBICACION NUMERO DE SERIE DE LA MAQUINA</p>	 <p>ENGINE SERIAL NUMBER LOCATION POSIZIONE DEL NUMERO DI MATRICOLA DEL MOTORE EMPLACEMENT DU NUMERO DE SERIE DU MOTEUR ORT DER SERIENNUMMER DES MOTORS UBICACION NUMERO DE SERIE DEL MOTOR</p>

0 - VERSION(00) IDENTIFICATION AND VERSION LIST

Ref	Part Number	Qty	Description

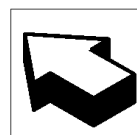
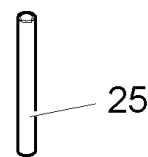
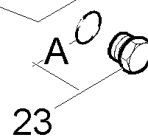
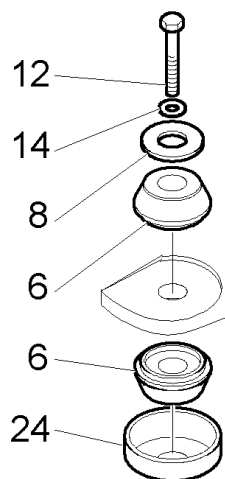
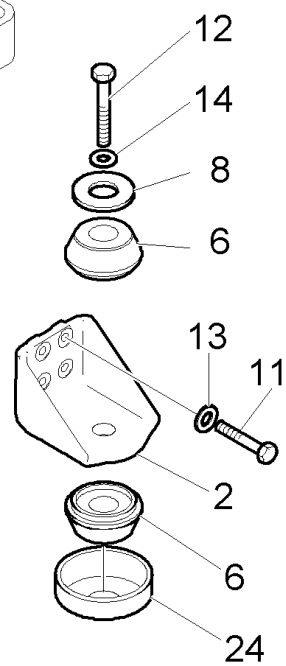
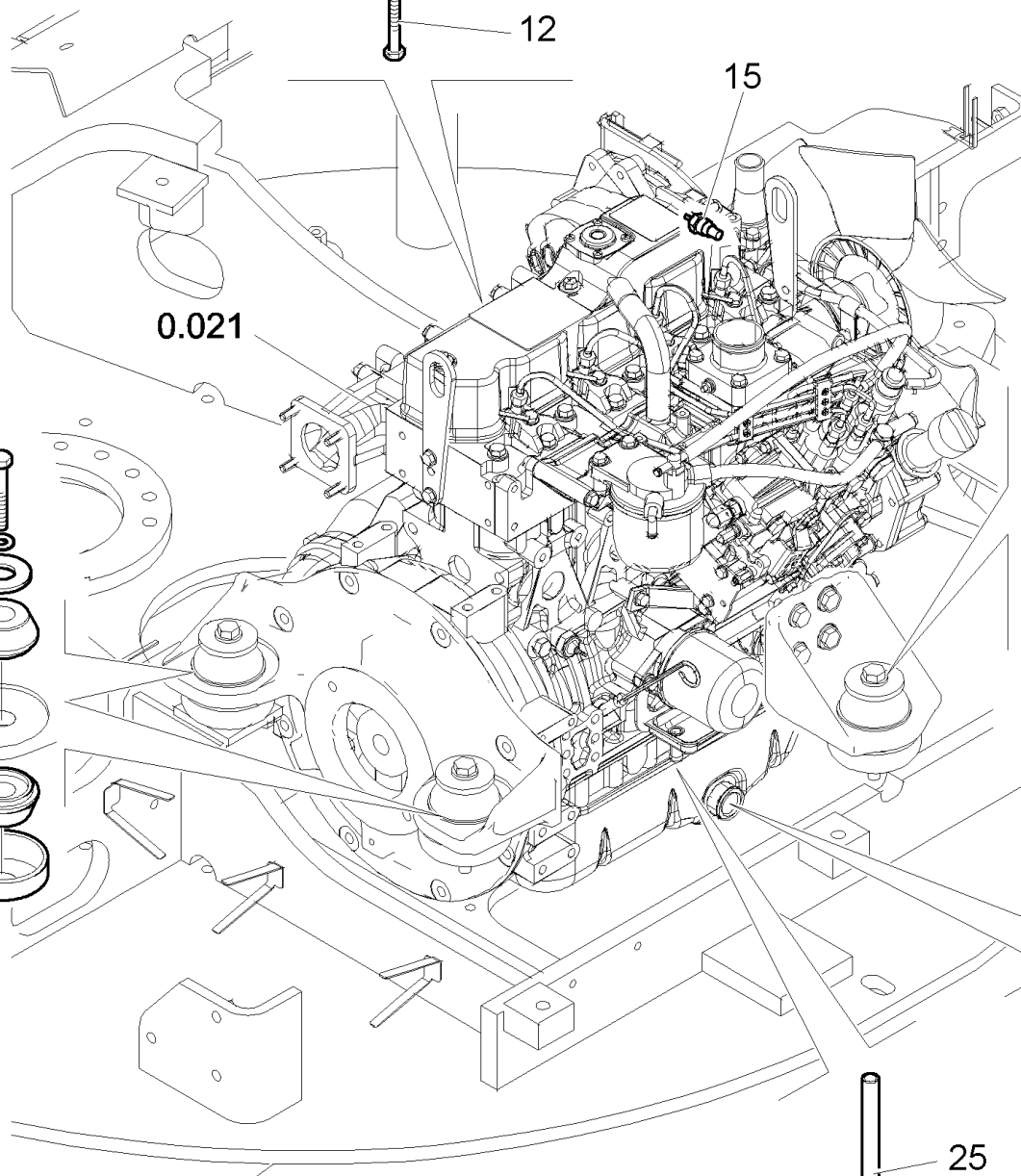
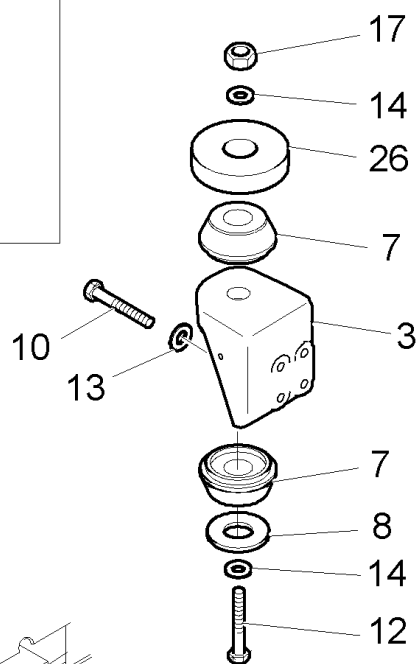
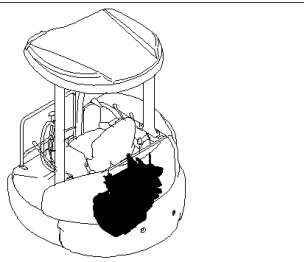


## CX50B MINI CRAWLER EXCAVATOR (N5GN01157 &amp; AFTER) (6/05- )

## 0.000(00) MAINTENANCE PARTS

Ref	Part Number	Qty	Description
1	72280600	1	SEPARATOR, , See Page 0.021 - 0.203
2	72280430	1	FILTER, COOLANT, , See Page 0.021 - 0.203
3	72285425	1	FILTER, ENGINE OIL, , See Page 0.305
4	72280422	1	FILTER, FUEL, , See Page 0.021 - 0.203
5	72283516	1	AIR CLEANER, , See Page 0.001A
6	72281613	1	FILTER, ELEMENT, , See Page 0.001A
7	72281617	1	FILTER, ELEMENT, , See Page 0.001A
8	72284639	1	PLUG, , See Page 1.020 02
9	72281517	1	BREATHER, , See Page 1.020 02
10	72282237	1	STRAINER, ELEMENT, , See Page 1.020 02
11	72281486	1	FILTER, HYDRAULIC OIL,

0.000(01) ENGINE INSTALLATIONS

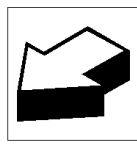
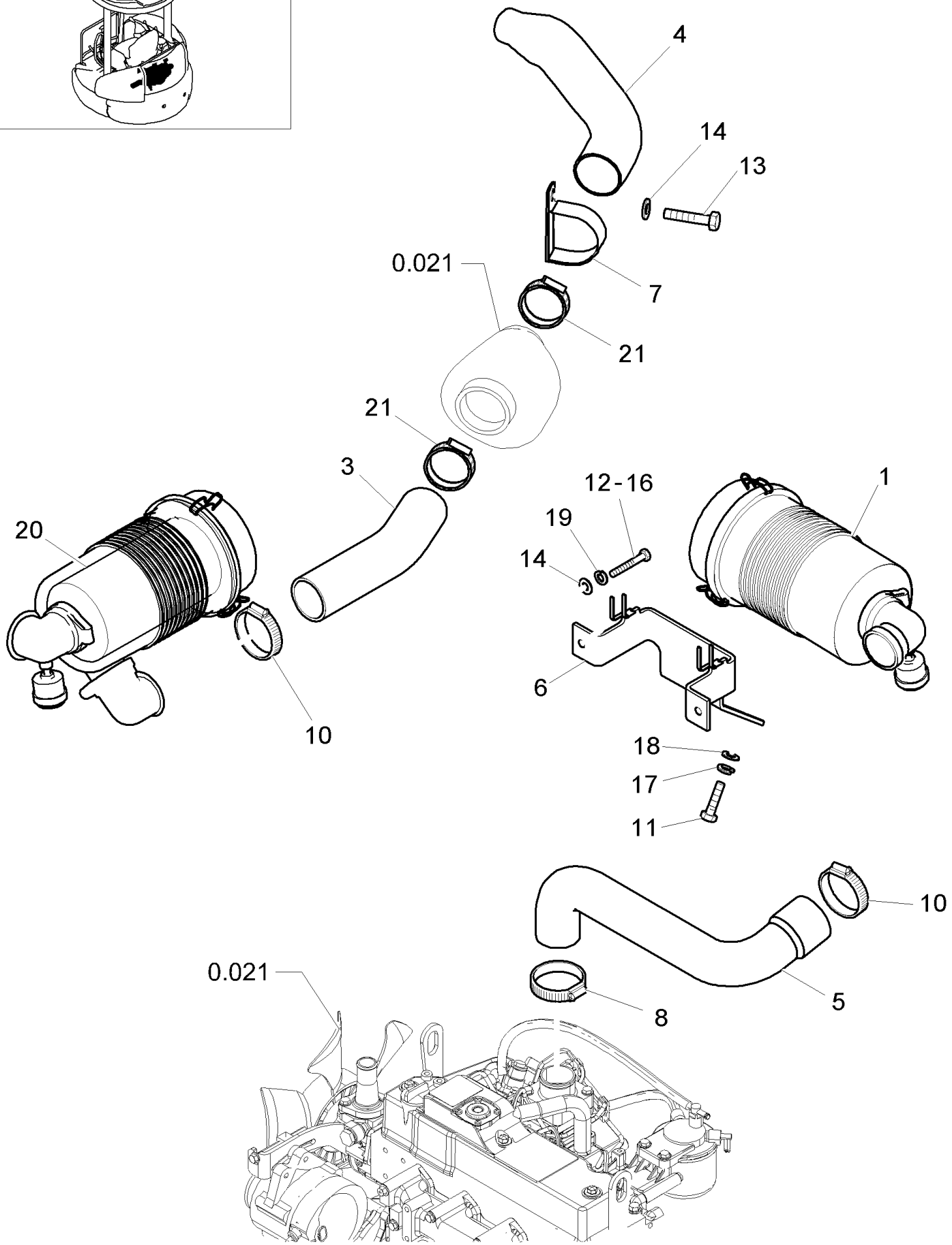
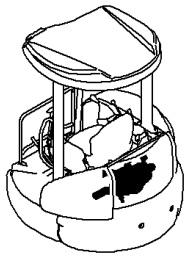


## CX50B MINI CRAWLER EXCAVATOR (N5GN01157 &amp; AFTER) (6/05- )

## 0.000(01) ENGINE INSTALLATIONS

Ref	Part Number	Qty	Description
2	72283479	1	BRACKET,
3	72283480	1	BRACKET,
6	72280520	6	MOUNTING, RUBBER,
7	72283481	2	MOUNTING, RUBBER,
8	72951034	4	WASHER,
10	11106234	4	SCREW, Hex, M10 x 25, 10.9, Full Thd,
11	11106434	4	SCREW, Hex, M10 x 30, 10.9, Full Thd,
12	11114634	4	SCREW, TE M12x120
13	12626221	8	WASHER, Ш10
14	13550521	6	WASHER, LOCK, Ш12
15	72273958	1	SENSOR,
17	11702924	2	NUT, M12
23	72280522	1	SET OF PARTS,
23A	72280525	1	O-RING,
24	72280528	3	COVER,
25	72280529	1	HOSE,
26	72285248	1	COVER,

0.001(01) AIR CLEANER - CANOPY



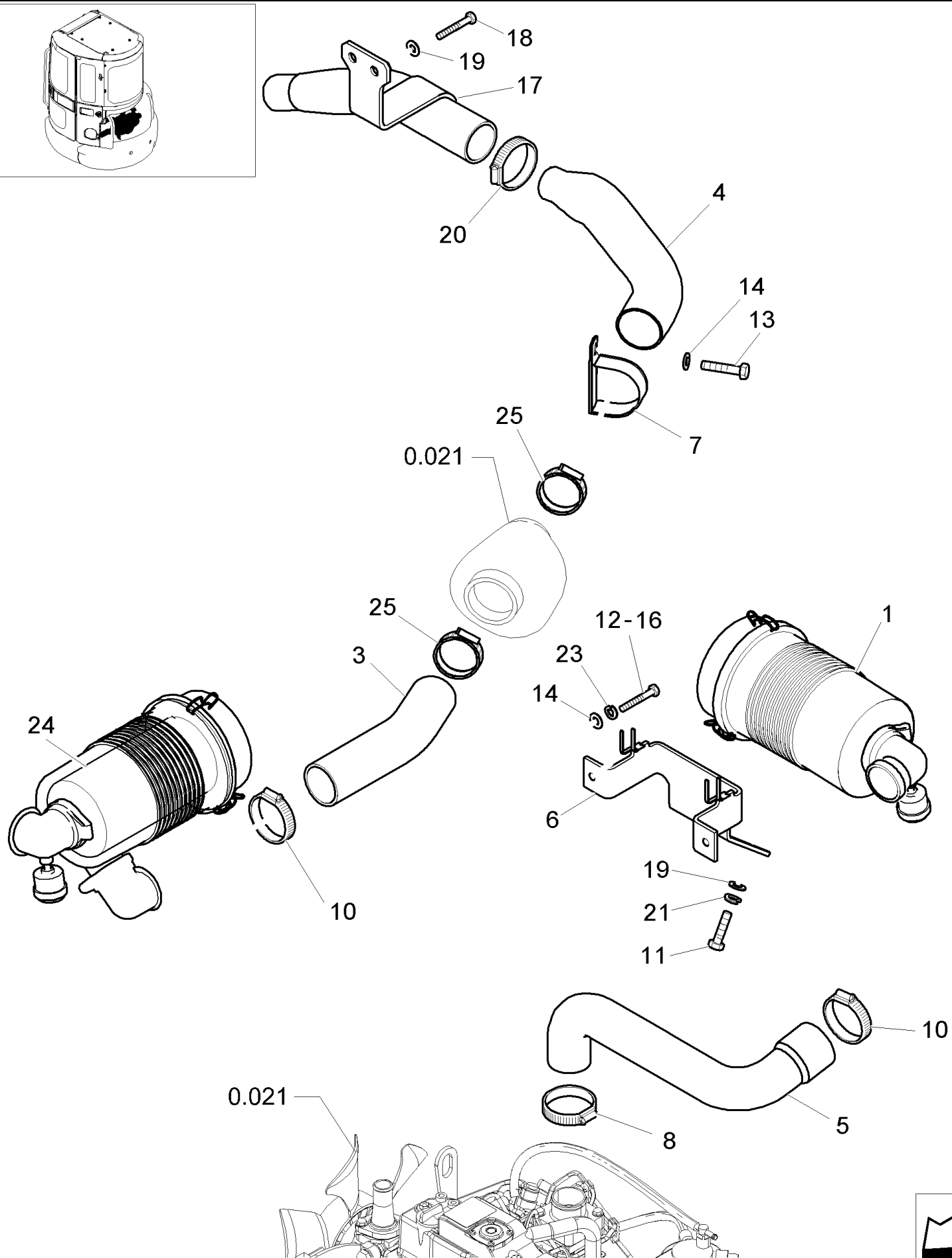
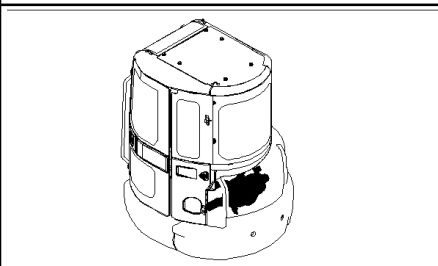


## CX50B MINI CRAWLER EXCAVATOR (N5GN01157 &amp; AFTER) (6/05- )

## 0.001(01) AIR CLEANER - CANOPY

Ref	Part Number	Qty	Description
1	72283516	1	AIR CLEANER, , See Page 0.001A
3	72283520	1	HOSE, LARGE,
4	72283521	1	HOSE, LARGE,
5	72283522	1	HOSE, LARGE,
6	87542577	1	BRACKET,
7	87343836	1	CLIP,
8	87526525	1	CLAMP,
10	87526526	2	CLAMP,
11	16043434	4	SCREW, Hex, M8 x 20, 10.9, Full Thd, TE M8x20
12	11106234	1	SCREW, Hex, M10 x 25, 10.9, Full Thd,
13	11106034	1	SCREW, Hex, M10 x 20, 10.9, Full Thd,
14	14496621	3	WASHER, M10 x 21 x 2,
16	11106434	1	SCREW, Hex, M10 x 30, 10.9, Full Thd,
17	10571779	4	WASHER, LOCK, ⅜8
18	12654421	4	WASHER, ⅜8
19	10571879	2	WASHER, LOCK, M10,
20	72281616	1	AIR CLEANER,
21	87526651	2	CLAMP,

0.001(02) AIR CLEANER - CAB

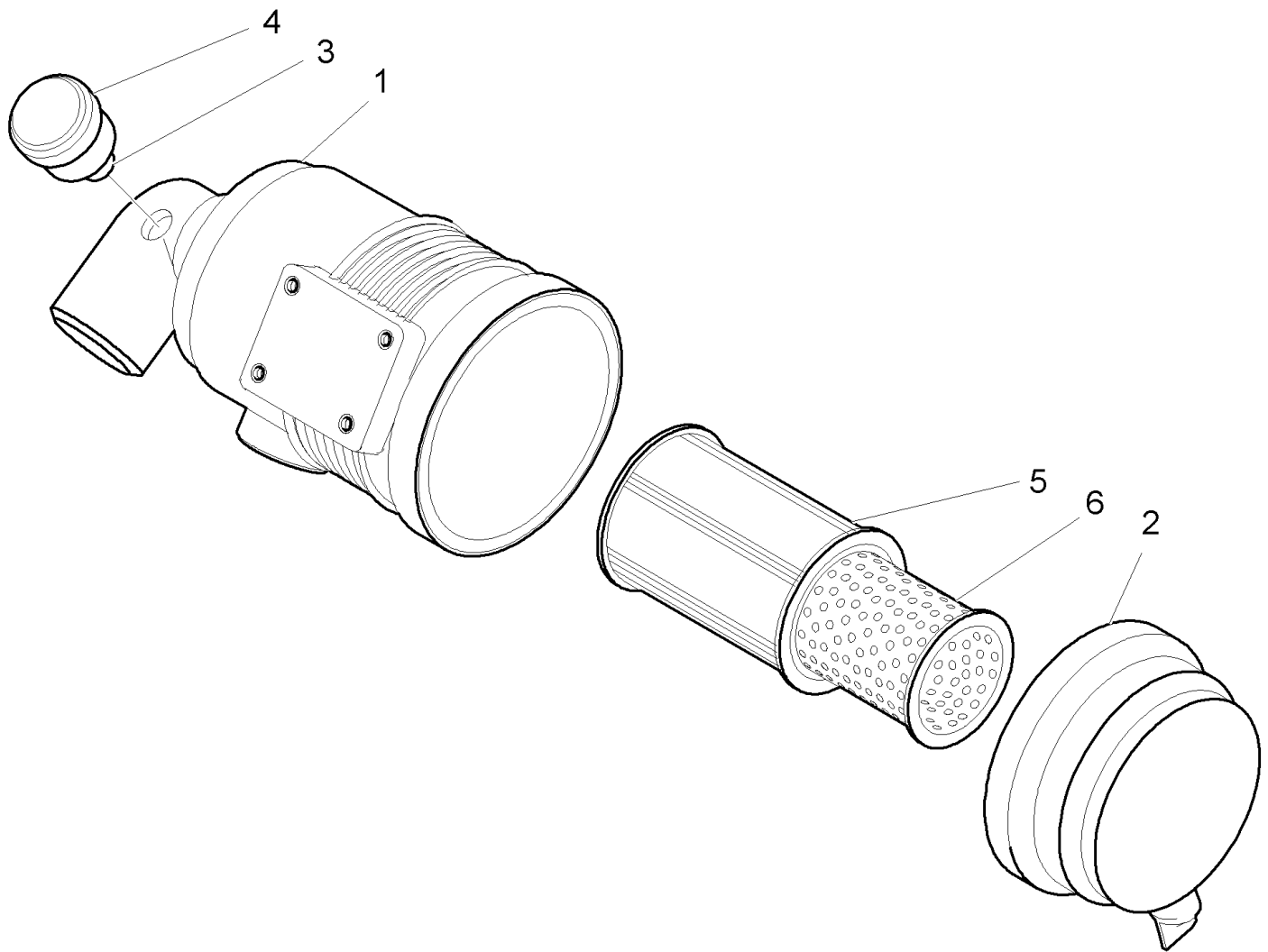
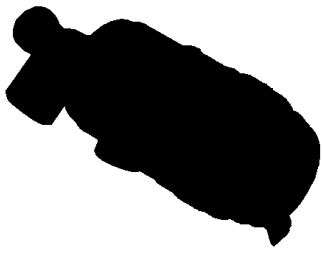


## CX50B MINI CRAWLER EXCAVATOR (N5GN01157 &amp; AFTER) (6/05- )

## 0.001(02) AIR CLEANER - CAB

Ref	Part Number	Qty	Description
1	72283516	1	AIR CLEANER, , See Page 0.001A
3	72283520	1	HOSE, LARGE,
4	72283521	1	HOSE, LARGE,
5	72283522	1	HOSE, LARGE,
6	87542577	1	BRACKET,
7	87343836	1	CLIP,
8	87526525	1	CLAMP,
10	87526526	2	CLAMP,
11	16043434	4	SCREW, Hex, M8 x 20, 10.9, Full Thd, TE M8x20
12	11106234	1	SCREW, Hex, M10 x 25, 10.9, Full Thd,
13	11106034	1	SCREW, Hex, M10 x 20, 10.9, Full Thd,
14	14496621	3	WASHER, M10 x 21 x 2,
16	11106434	1	SCREW, Hex, M10 x 30, 10.9, Full Thd,
17	72283526	1	TUBE, AIR INTAKE,
18	16043634	2	SCREW, Hex, M8 x 25, 10.9, Full Thd, TE M8x25
19	12654401	6	WASHER, M8 x 17 x 3,
20	87526523	1	CLAMP,
21	10571779	4	WASHER, LOCK, ⅜
23	10571879	2	WASHER, LOCK, M10,
24	72281616	1	AIR CLEANER,
25	87526651	2	CLAMP,

0.001A(01) AIR CLEANER



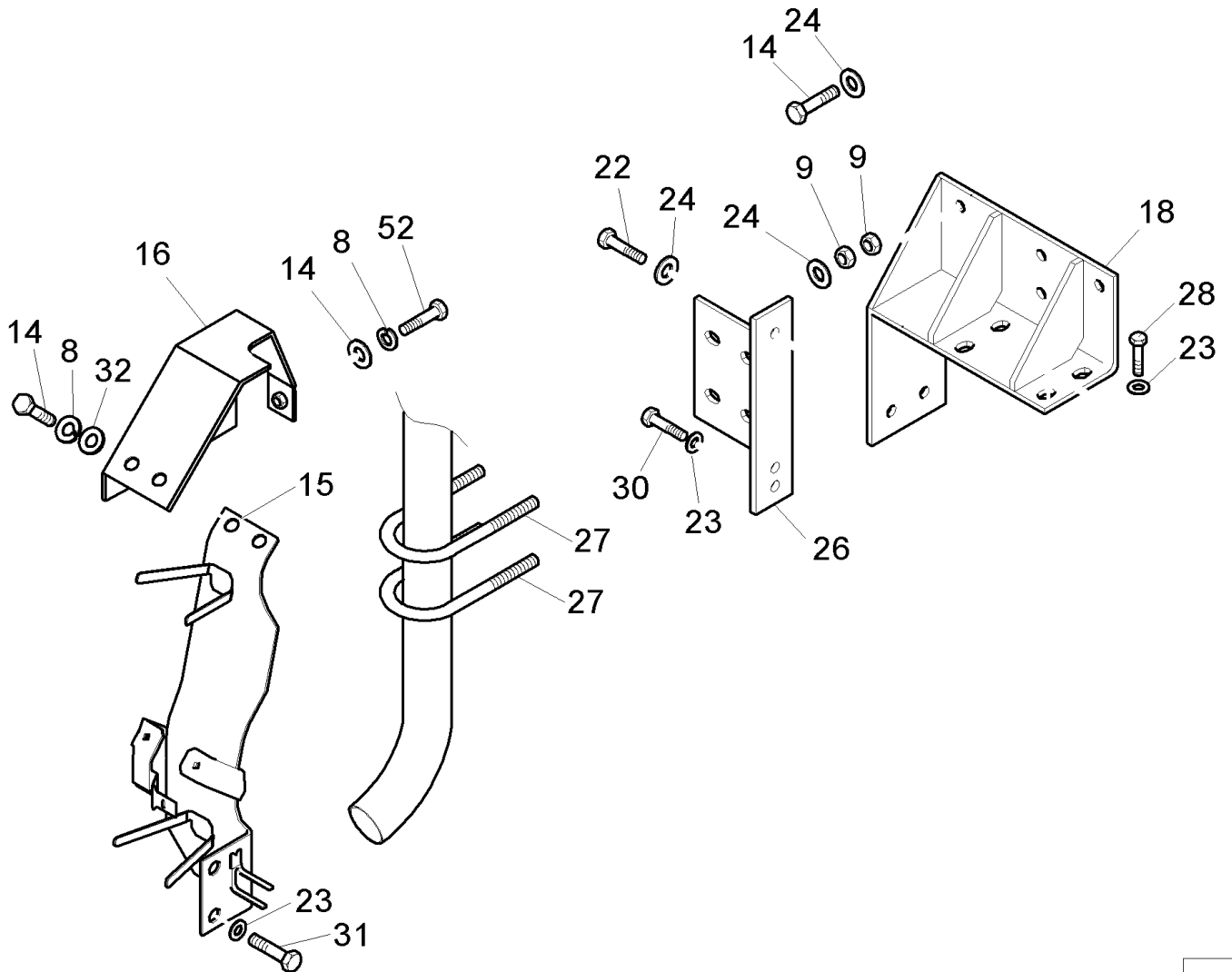
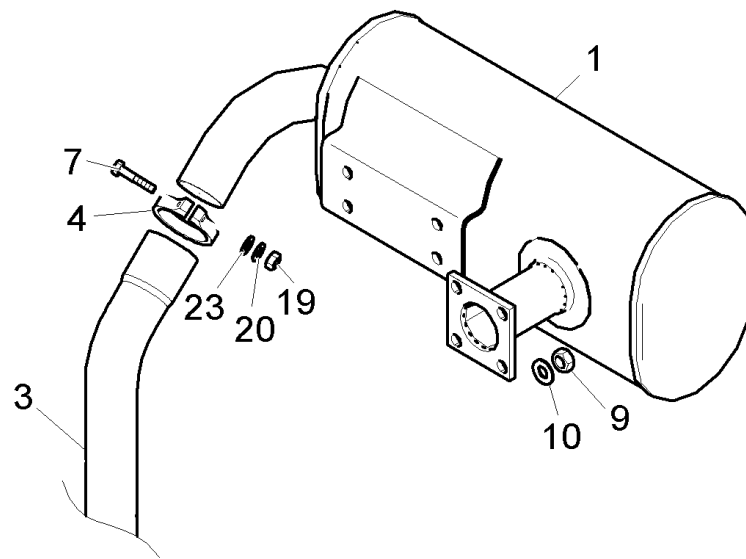
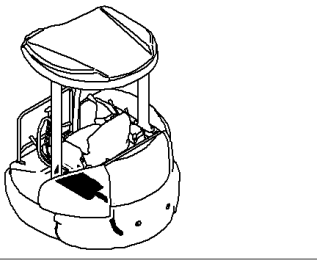
## CX50B MINI CRAWLER EXCAVATOR (N5GN01157 &amp; AFTER) (6/05- )

## 0.001A(01) AIR CLEANER

Ref	Part Number	Qty	Description
1	72283517	1	BODY,
2	72283518	1	COVER ASSY,
3	72280584	1	PLUG,
4	72280585	1	INDICATOR,
5	72281617	1	FILTER, ELEMENT,
6	72281613	1	FILTER, ELEMENT,

AIR CLEANER, ASSY P/N 72283516

0.002(01) MUFFLER

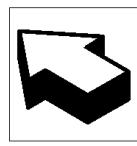
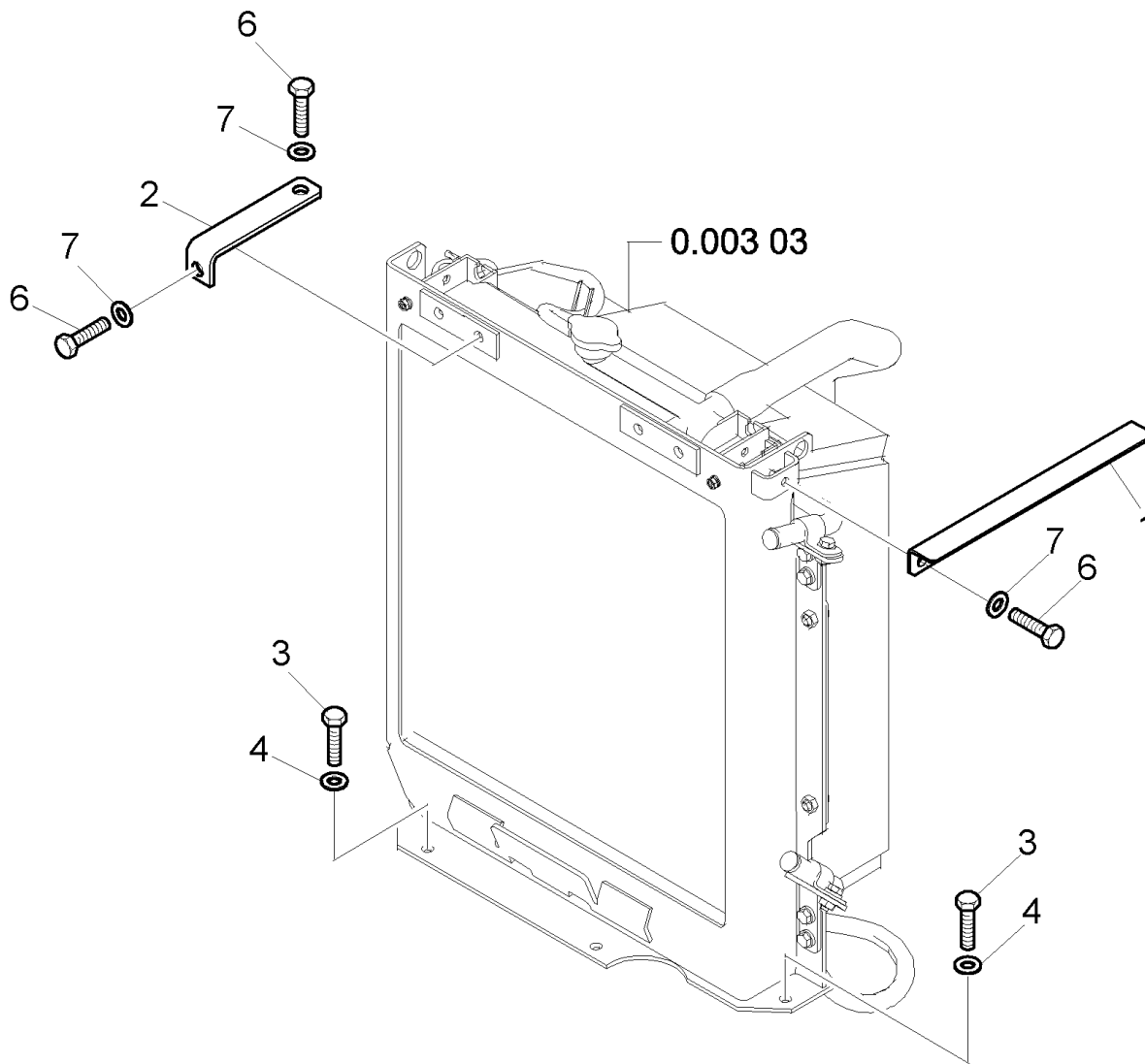
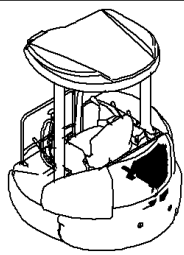


## CX50B MINI CRAWLER EXCAVATOR (N5GN01157 &amp; AFTER) (6/05- )

## 0.002(01) MUFFLER

Ref	Part Number	Qty	Description
1	72283529	1	MUFFLER,
3	72283530	1	PIPE, EXHAUST SYSTEM,
4	87540125	1	CLAMP,
7	11107434	1	SCREW, TE M10x60
8	10571779	3	WASHER, LOCK, $\text{W}8$
9	16100824	12	NUT, M8, CI 10,
10	14496521	4	WASHER, M8 x 17 x 1.6,
14	16043434	8	SCREW, Hex, M8 x 20, 10.9, Full Thd, TE M8x20
15	72285129	1	COVER,
16	72283533	1	COVER,
18	87540004	1	BRACKET,
19	11701724	1	NUT, M10
20	10571879	1	WASHER, LOCK, M10,
22	16043834	1	SCREW, Hex, M8 x 30, 10.9, Full Thd, M8x30
23	12626221	9	WASHER, $\text{W}10$
24	12654421	10	WASHER, $\text{W}8$
26	87540065	1	PLATE,
27	72201251	1	U-BOLT,
28	11106234	4	SCREW, Hex, M10 x 25, 10.9, Full Thd,
30	11106434	2	SCREW, Hex, M10 x 30, 10.9, Full Thd,
31	11106034	2	SCREW, Hex, M10 x 20, 10.9, Full Thd,
32	12646721	3	WASHER, M8 x 20 x 2,

0.003(01) RADIATOR - INSTAL

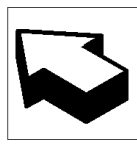
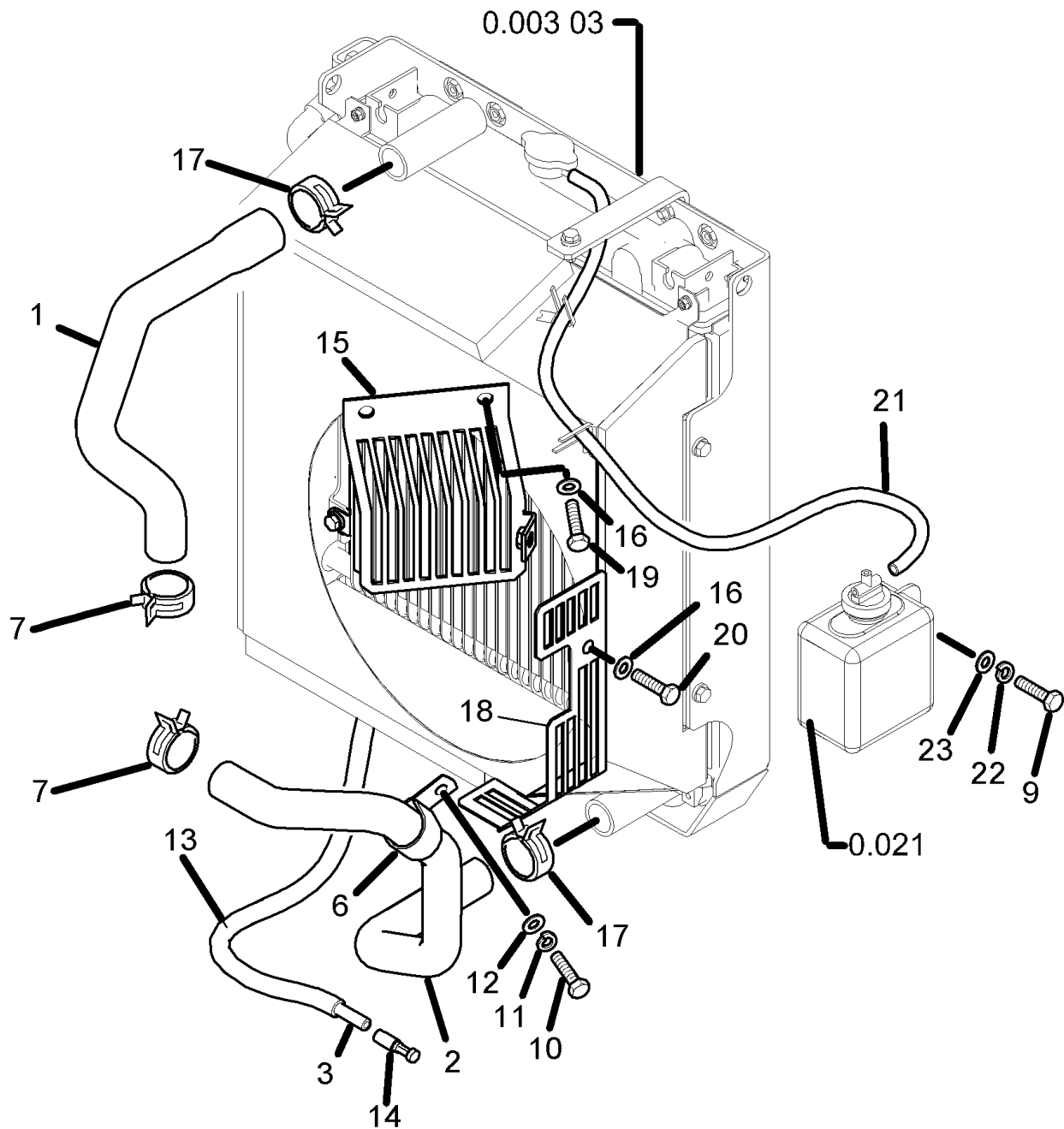
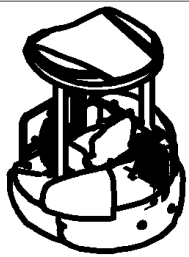




## 0.003(01) RADIATOR - INSTAL

Ref	Part Number	Qty	Description
1	72283492	1	STAY,
2	72283493	1	STAY,
3	11106434	3	SCREW, Hex, M10 x 30, 10.9, Full Thd,
4	12626201	3	WASHER, M10 x 25 x 3,
6	16043634	4	SCREW, Hex, M8 x 25, 10.9, Full Thd, TE M8x25
7	12654401	4	WASHER, M8 x 17 x 3,

0.003(02) RADIATOR

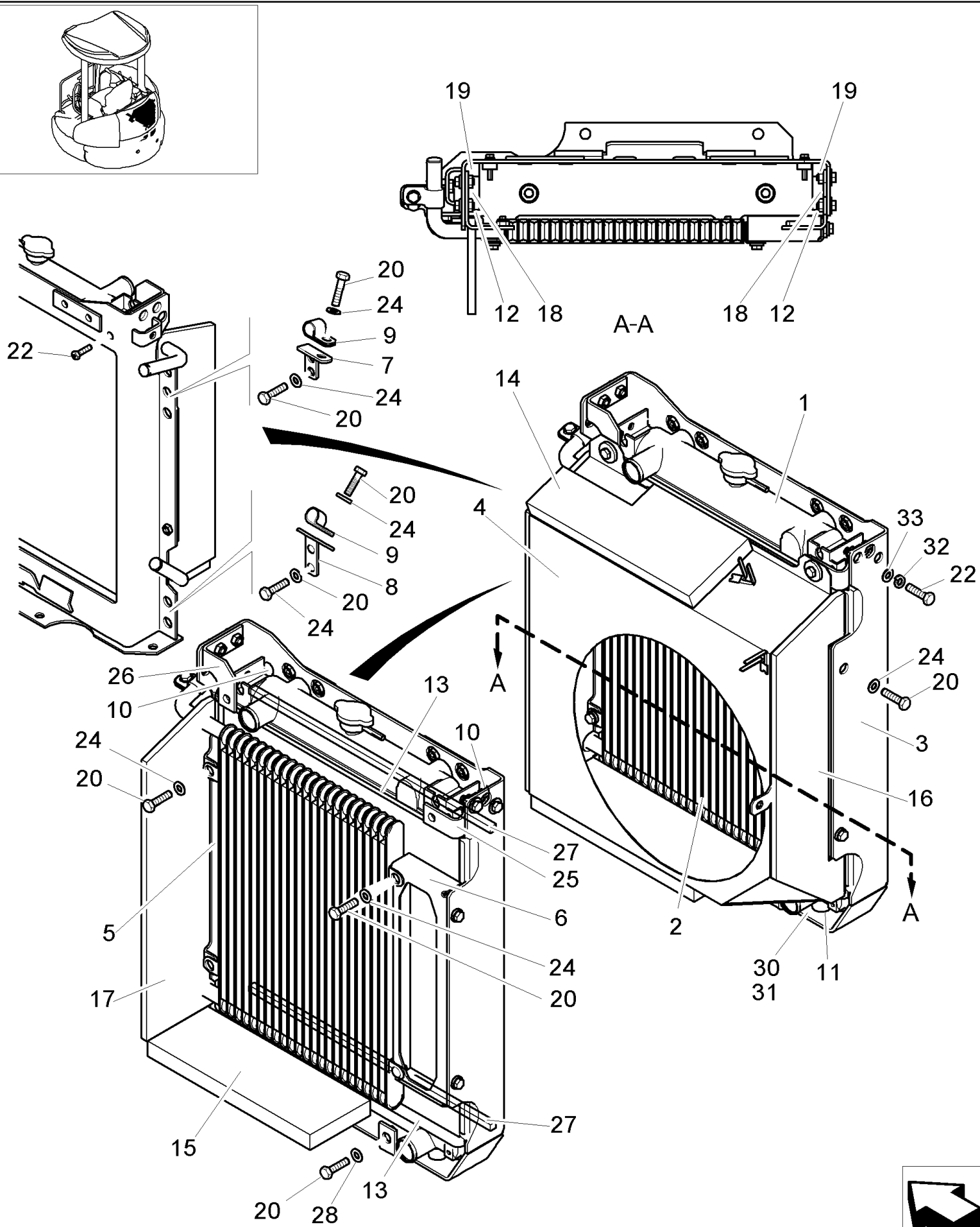


## CX50B MINI CRAWLER EXCAVATOR (N5GN01157 &amp; AFTER) (6/05- )

## 0.003(02) RADIATOR

Ref	Part Number	Qty	Description
1	72283486	1	HOSE, LARGE,
2	72283487	1	HOSE, LARGE,
6	71421085	1	CLIP,
7	13425577	2	CLIP, HOSE,
9	10902434	2	BOLT, Hex, M6 x 20, 10.9, Full Thd,
10	16043434	1	SCREW, Hex, M8 x 20, 10.9, Full Thd, TE M8x20
11	10571779	1	WASHER, LOCK, $\text{M}8$
12	72209113	1	WASHER, $\text{M}8$
13	72955943	1	HOSE, FLEXIBLE,
14	72280535	1	PLUG,
15	72283488	1	GUARD,
16	14496521	4	WASHER, M8 x 17 x 1.6,
17	72283489	2	CLIP,
18	72283490	1	GUARD,
19	16043834	2	SCREW, Hex, M8 x 30, 10.9, Full Thd, M8x30
20	16043234	2	SCREW, Hex, M8 x 16, 10.9, Full Thd, TE M8x16
21	72283543	1	HOSE, FLEXIBLE,
22	10571579	2	WASHER, LOCK, M6,
23	10519421	2	WASHER, M6 x 11.95 x 1.6,

0.003(03) RADIATOR - COMPONENTS

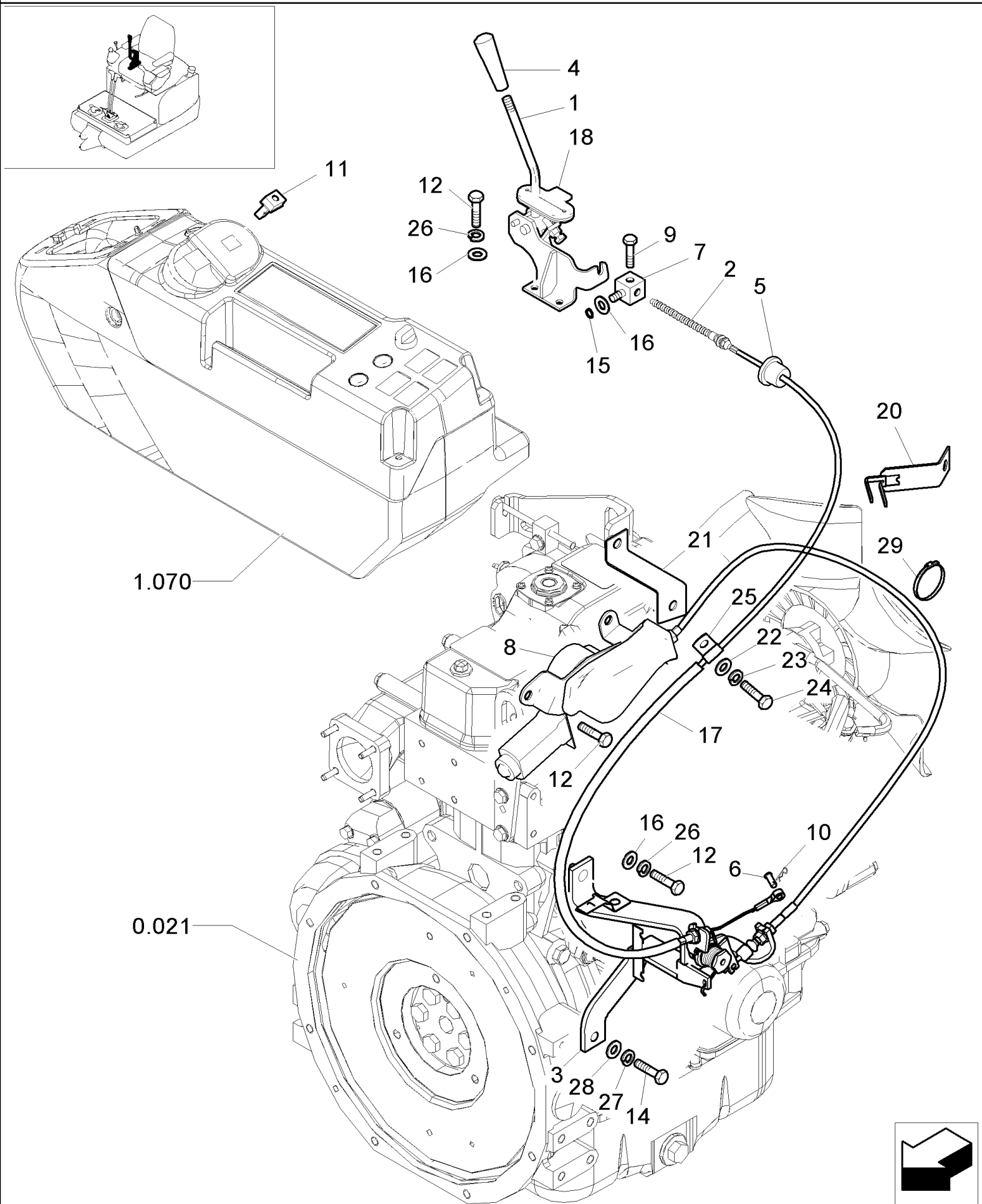


## 0.003(03) RADIATOR - COMPONENTS

Ref	Part Number	Qty	Description
1	72283495	1	RADIATOR,
2	72283496	1	COOLER, OIL,
3	72283497	1	SET OF PARTS,
4	72283498	1	SHROUD,
5	87538355	1	BRACKET,
6	87538369	1	BRACKET,
7	87538376	1	BRACKET,
8	87538381	1	SET OF PARTS,
9	87538383	2	PLATE,
10	87538390	2	SPACER,
11	72953053	2	GASKET,
12	72283504	2	JOINT, RUBBER,
13	72283505	2	JOINT, RUBBER,
14	72283506	1	INSULATOR,
15	72283507	1	INSULATOR,
16	72283508	1	INSULATOR,
17	72283509	1	INSULATOR,
18	72283510	2	INSULATOR,
19	72283511	2	INSULATOR,
20	16043434	22	SCREW, Hex, M8 x 20, 10.9, Full Thd, TE M8x20
22	10902834	2	SCREW, TE M6x30
24	12654421	16	WASHER, $\text{W}8$
25	87538394	1	SET OF PARTS,
26	87538396	1	SET OF PARTS,
27	72283514	2	JOINT, RUBBER,
28	72950687	4	WASHER,
29	72209113	2	WASHER,
30	72285126	1	GASKET,
31	72285127	1	GASKET,
32	10571579	2	WASHER, LOCK, M6,
33	10519421	2	WASHER, M6 x 11.95 x 1.6,

RADIATOR ASSY P/N 72171456

0.004(01) CONTROL ASSY ENGINE (WITH DECEL)

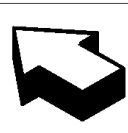
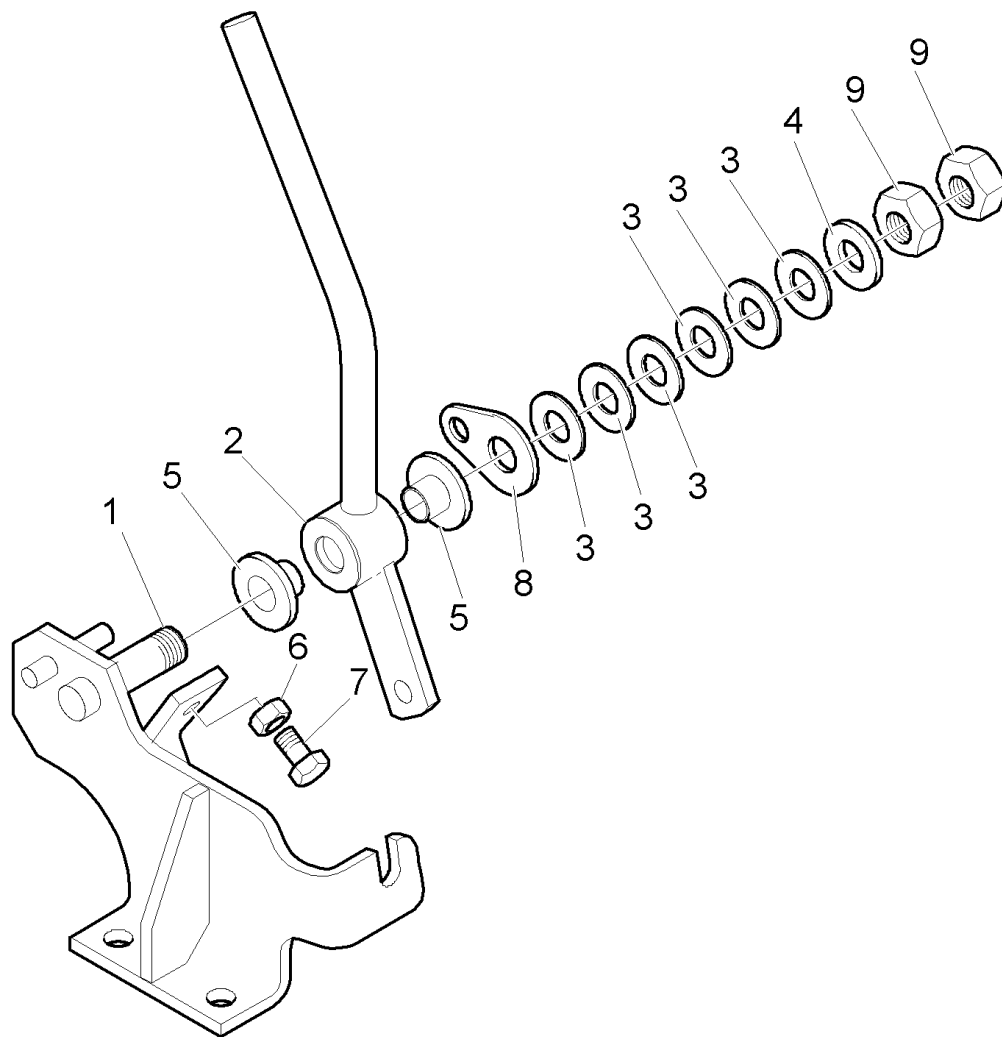
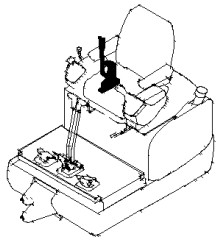


## CX50B MINI CRAWLER EXCAVATOR (N5GN01157 &amp; AFTER) (6/05- )

## 0.004(01) CONTROL ASSY ENGINE (WITH DECEL)

Ref	Part Number	Qty	Description
1	72285118	1	LEVER, Assy, See Page 0.004A
2	72283591	1	CABLE, FLEXIBLE,
3	72285133	1	LINK, , See Page 0.004B
4	72270424	1	HANDLE,
5	72964388	1	GROMMET,
6	72280677	1	PIN,
7	72285138	1	PIN,
8	72283597	1	MOTOR, ELECTRIC, , See Page 0.004C
9	10977534	1	BOLT, Hex, M5 x 10, 10.9, Full Thd,
10	72275189	1	PIN, SPLIT (COTTER),
11	72273643	1	SWITCH,
12	16043434	6	SCREW, Hex, M8 x 20, 10.9, Full Thd, TE M8x20
14	11106034	1	SCREW, Hex, M10 x 20, 10.9, Full Thd,
15	72286399	1	RING, D=6
16	14496521	7	WASHER, M8 x 17 x 1.6,
18	72280681	1	GROMMET,
17	72957042	1	HOSE, FLEXIBLE,
20	87542540	1	PLATE,
21	87542546	1	PLATE,
22	13550221	1	WASHER, $\text{W}6$
23	10571579	1	WASHER, LOCK, M6,
24	10902134	1	SCREW, Hex, M6 x 14, 10.9, Full Thd,
25	71405774	1	COLLAR, RETAINER,
26	10571779	6	WASHER, LOCK, $\text{W}8$
27	10571879	1	WASHER, LOCK, M10,
28	14496621	1	WASHER, M10 x 21 x 2,
29	14560187	2	COLLAR,

0.004A(01) LEVER ASSY THROTTLE - COMPONENTS





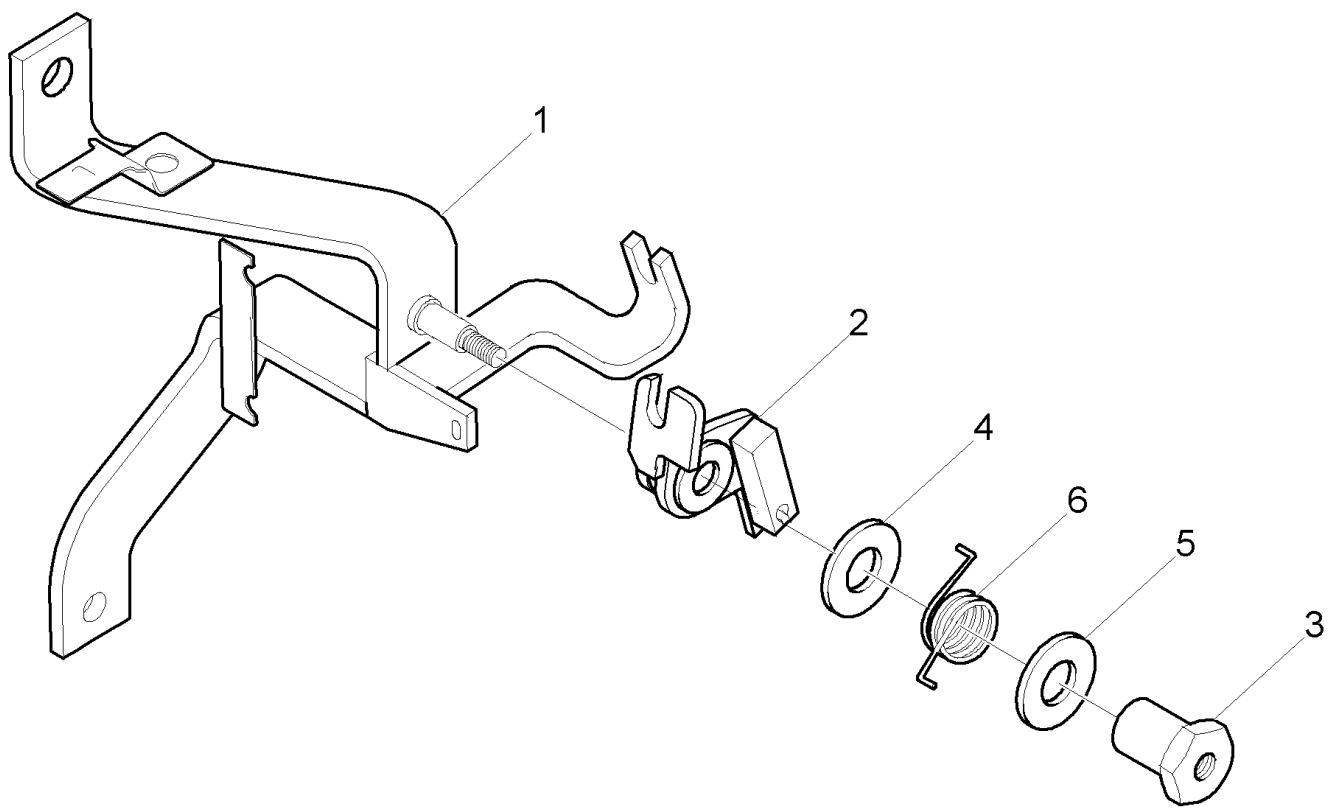
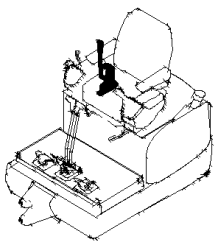
## CX50B MINI CRAWLER EXCAVATOR (N5GN01157 &amp; AFTER) (6/05- )

## 0.004A(01) LEVER ASSY THROTTLE - COMPONENTS

Ref	Part Number	Qty	Description
1	72285131	1	BRACKET,
2	72285132	1	LEVER,
3	72951517	6	WASHER,
4	72283448	1	WASHER,
5	72283050	2	BUSHING,
6	72210038	1	NUT, M8
7	72950380	1	SCREW, TE M8x30
8	72950947	1	PLATE,
9	72951654	2	NUT, M12

LEVER ASSY THROTTLE P/N 72285118

0.004B(01) LINK ASSY - COMPONENTS

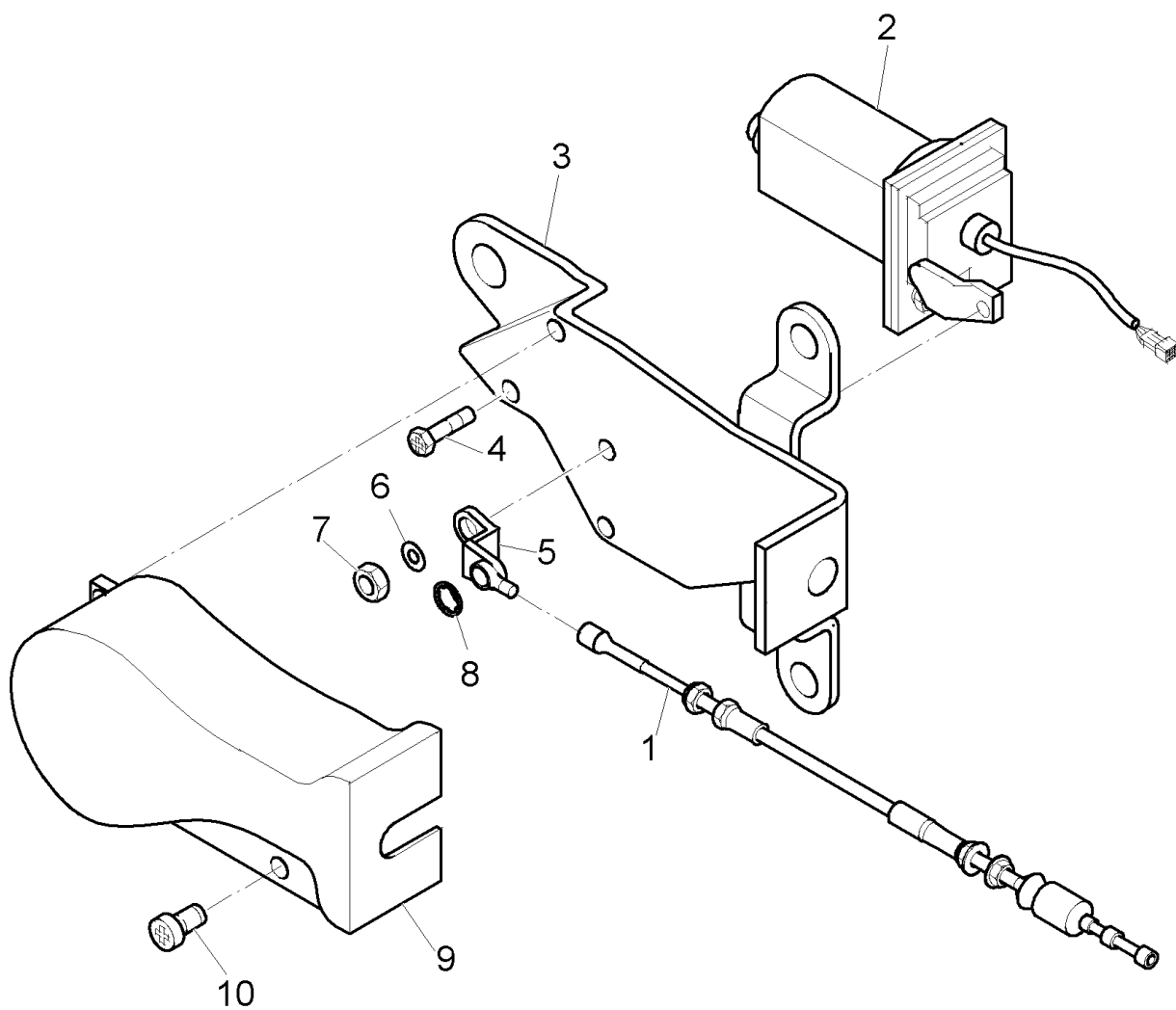


## 0.004B(01) LINK ASSY - COMPONENTS

Ref	Part Number	Qty	Description
1	72285134	1	BRACKET,
2	72285135	1	LINK,
3	72281534	1	NUT,
4	72281535	1	WASHER,
5	72281536	1	WASHER,
6	72285137	1	SPRING,

LINK ASSY P/N 72285133

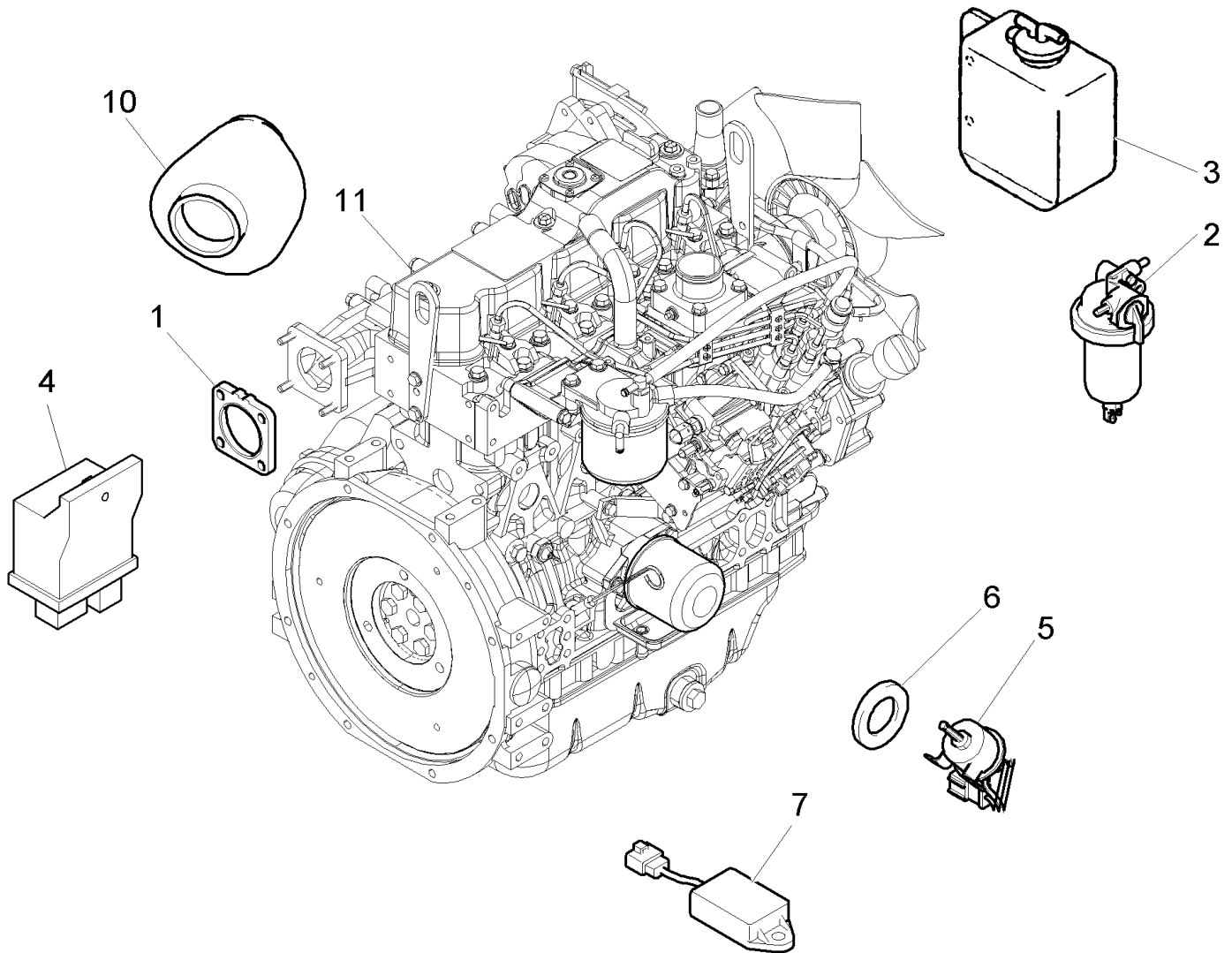
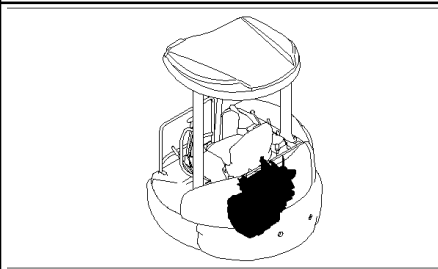
0.004C(1) MOTOR GOVERNOR ASSY - COMPONENTS



## 0.004C(1) MOTOR GOVERNOR ASSY - COMPONENTS

Ref	Part Number	Qty	Description
1	72283616	1	CABLE,
2	72280684	1	MOTOR, ELECTRIC, SMALL,
3	72280685	1	BRACKET,
4	72280686	3	SCREW,
5	72280687	1	LEVER,
6	72280688	1	WASHER, LOCK,
7	72280689	1	NUT,
8	72280690	1	RING,
9	72280691	1	COVER,
10	72280692	2	SCREW,

0.021(01) DIESEL ENGINE - KIT



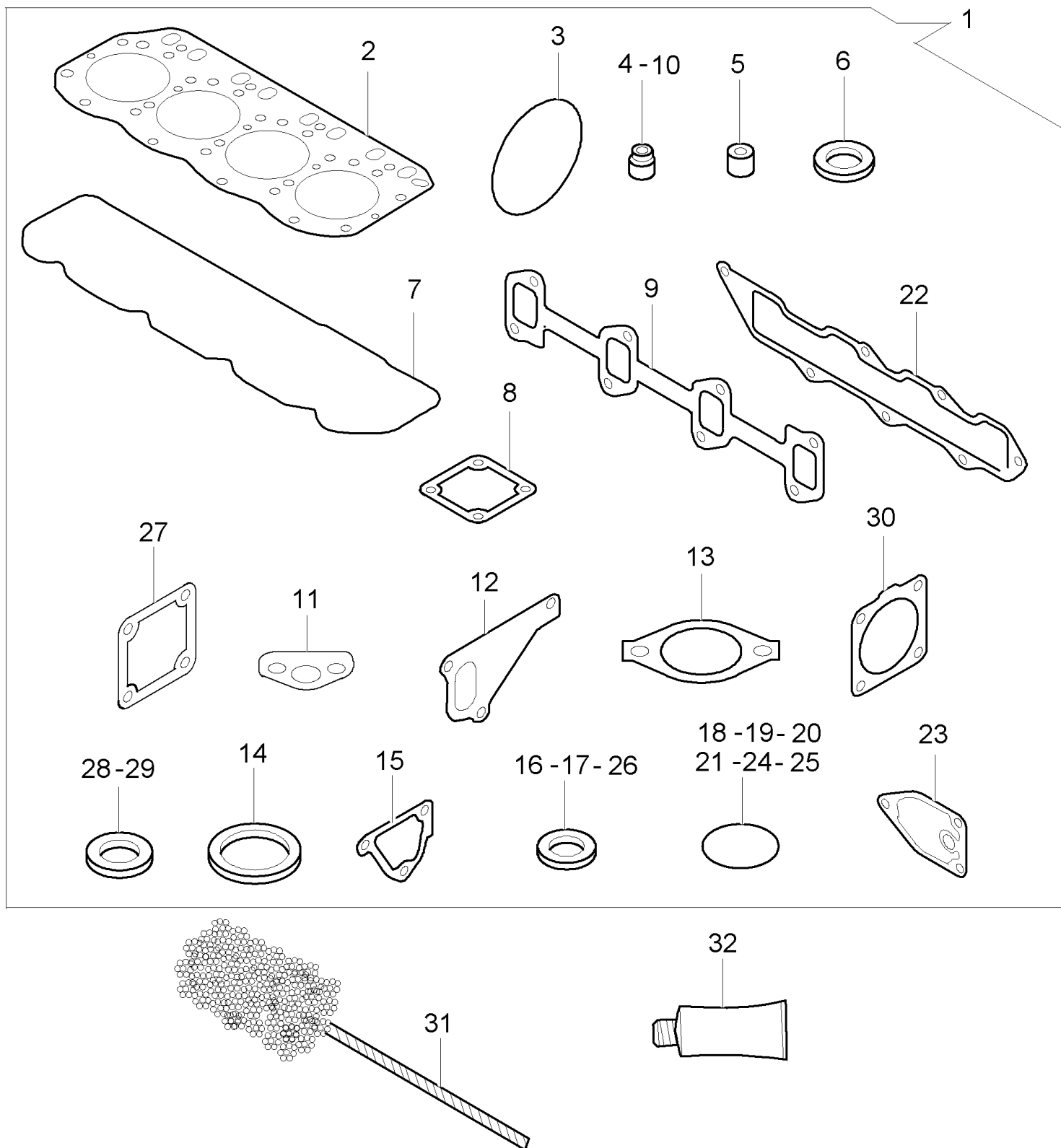
## CX50B MINI CRAWLER EXCAVATOR (N5GN01157 &amp; AFTER) (6/05- )

## 0.021(01) DIESEL ENGINE - KIT

Ref	Part Number	Qty	Description
1	72283531	1	GASKET, , See Page 0.077
2	72280600	1	SEPARATOR, , See Page 0.203
3	72271530	1	TANK, , See Page 0.323
4	72281260	1	RELAY, , Item Supplied With Relay Assy
5	72280608	1	PUMP, FUEL, , See Page 0.203
6	72273660	1	GASKET, , See Page 0.323
7	72273635	1	SWITCH, , Item Supplied With Relay Assy
10	72285519	1	SET OF PARTS,
11	72285635	1	ENGINE,

DIESEL ENGINE, KIT P/N 72283827

0.021(02) GASKET SET





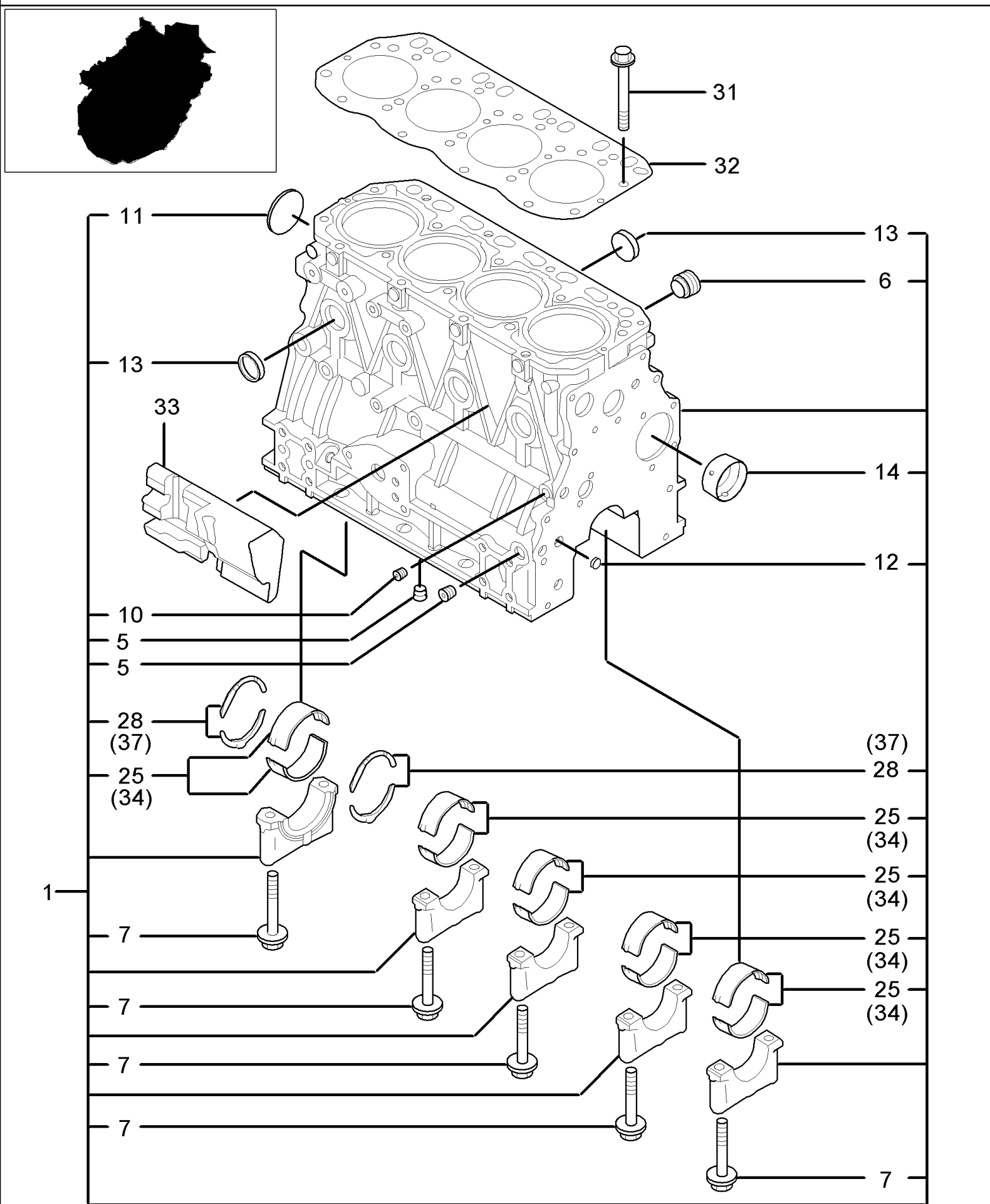
## CX50B MINI CRAWLER EXCAVATOR (N5GN01157 &amp; AFTER) (6/05- )

## 0.021(02) GASKET SET

Ref	Part Number	Qty	Description
1	72284701	1	GASKET,
2	72284217	1	GASKET,
3	72959164	1	O-RING,
4	72961881	4	SEAL,
5	72280347	4	PROTECTOR,
6	72959167	4	GASKET,
7	72284627	1	GASKET,
8	72951923	1	GASKET,
9	72284633	1	GASKET,
10	72961872	4	GASKET,
11	72959171	1	GASKET,
12	72961934	1	GASKET,
13	72282879	1	GASKET,
14	72282882	1	GASKET,
15	72961880	1	GASKET,
16	72282862	2	SEAL WASHER,
17	72952747	2	PACKING,
18	72959174	3	O-RING,
19	72959176	2	O-RING,
20	72959177	1	O-RING,
21	72961935	1	O-RING,
22	72284630	1	GASKET,
23	72959172	1	GASKET,
24	72953592	1	O-RING,
25	72280331	4	O-RING,
26	72959058	2	GASKET,
27	72951920	1	PACKING,
28	72280396	1	GASKET,
29	72273660	1	GASKET,
30	72283531	1	GASKET,
31	72961926	1	TOOL,
32	72951946	1	GASKET,

GASKET SET, P/N 72284700

0.040(01) CRANKCASE



CRANKCASE ASSY P/N 72284213

**BUY NOW**

**Then Instant Download  
the Complete Manual  
Thank you very much!**