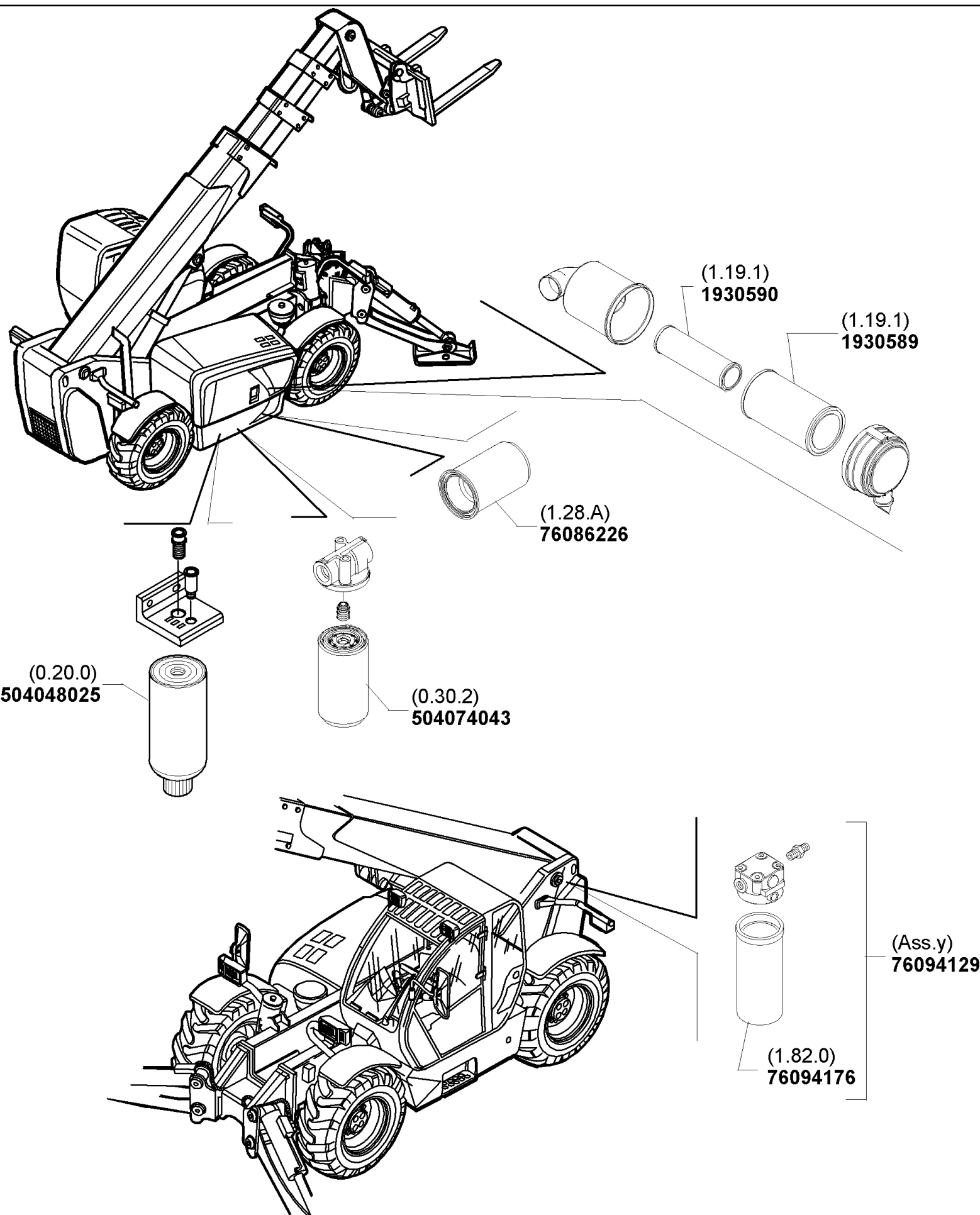




PARTS CATALOGUE

TX170-45
TURBO TELEHANDLER



TX170-45 TURBO TELEHANDLER (3/05-)

0 - FILTERS(00) MAINTENANCE PARTS

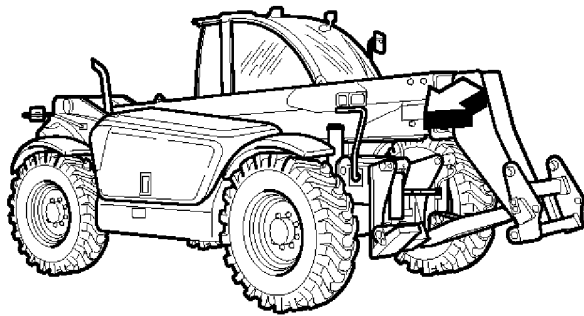
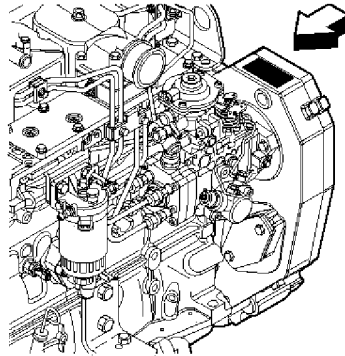
Ref	Part Number	Qty	Description

0 - VERSION(00) IDENTIFICATION AND VERSION LIST

MODELS MODELLI MODELES MODELLE MODELOS MODELOS MODELLEN MODELLER	ENGINEERING CODE DENOMINAZIONE TECNICA DESIGNATION TECHNIQUE TECHNISCHE BEZEICHNUNG DESIGNACION TECNICA DENOMINAÇÃO TÉCNICA TECHNISCHE BENAMING TEKNISK BENÆVNELSE	ENGINE MODEL MODELLO DEL MOTORE MODELE DU MOTEUR MOTORBAUMUSTER MODELO DEL MOTOR MODELO DO MOTOR MODEL VAN MOTOR MOTOR-MODEL	NUMERICAL CODE CODICE NUMERICO CODE NUMERIQUE KENNUMMER CODIGO NUMERICO CÓDIGO NUMÉRICO NUMMERCODE NUMMER-KODE
TX130-45	TX130E	IVECO F4GE0484G*D600	01
TX130-43	TX130F	IVECO F4GE0484G*D600	02
TX130-40	TX130C	IVECO F4GE0484G*D600	03
TX140-45	TX140C	IVECO F4GE0484G*D600	04
TX140-43	TX140A	IVECO F4GE0484G*D600	05
TX170-45	TX170A	IVECO F4GE0484G*D600	06

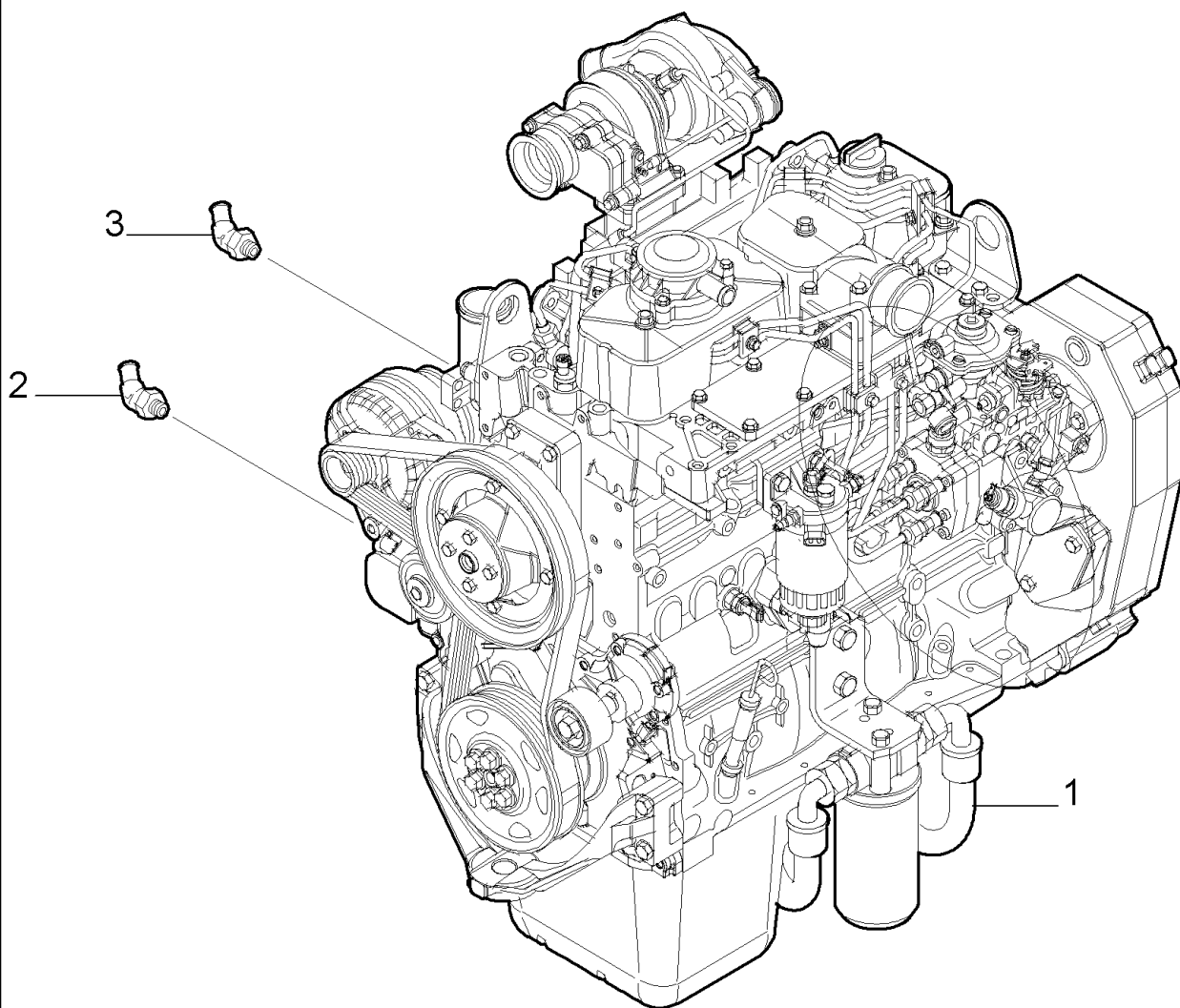
MODELS MODELLI MODELES MODELLE MODELOS MODELOS MODELLEN MODELLER	MODEL SERIAL NUMBER - NUMERO DI MATRICOLA DEL MODELLO NUMERO DE SERIE DU MODELE - MODELL-SERIENNUMMER NUMERO DE SERIE DEL MODELO - NÚMERO DE MATRÍCULA DO MODELO SERIENNUMMER VAN MODEL - MATRIKEL-NUMMER PÅ MODEL	
	PRODUCT CODE - CODICE PRODOTTO CODE DE PRODUCTION - PRODUKT KODEX CODIGO DEL PRODUCTO - CÓDIGO DO PRODUTO PRODUCTCODE - PRODUKT-KODE	UNIT NO. - TELAIO N° NUMERO DE L'UNITE - EINHEITS-NR. NUM. DE LA UNIDAD - CHASSIS NÚMERO CHASSISNUMBER - NUMMER CHASSIS
TX130-45	699.722.740	01114114
TX130-43	699.723.740	01117103
TX130-40	699.721.740	01110101
TX140-45	699.742.740	01125164
TX140-43	699.741.740	01120110
TX170-45	699.761.740	01130156

RECORD YOUR SERIAL NUMBERS BELOW - REGISTRATE I VOSTRI NUMERI DI MATRICOLA QUI SOTTO
ENREGISTREZ VOS NUMEROS DE SERIE CI-DESSOUS - UNTEN SERIENNUMMER VIERMERKEN
ANOTE AQUI LOS NUMEROS DE SERIE - REGISTRAR OS NÚMEROS DE MATRÍCULA ABAIXO
NOTEER HIERONDER DE SERIENNUMMERS - REGISTRER DERES MATRIKEL-NUMRE FOR NEDEN

MACHINE SERIAL NUMBER - MATRICOLA DELLA MACCHINA NUMERO DE SERIE DE LA MACHINE - SERIENNUMMER DER MASCHINE NUMERO DE SERIE DE LA MAQUINA - MATRÍCULA DA MÁQUINA SERIENNUMMER VAN DE MACHINE - MASKINENS MATRIKEL	ENGINE SERIAL NUMBER - MATRICOLA DEL MOTORE NUMERO DE SERIE DU MOTEUR - SERIENNUMMER DES MOTORS NUMERO DE SERIE DEL MOTOR - MATRÍCULA DO MOTOR SERIENNUMMER VAN DE MOTOR - MOTORENS MATRIKEL
 <p>MACHINE SERIAL NUMBER LOCATION POSIZIONE DEL NUMERO DI MATRICOLA DELLA MACCHINA EMPLACEMENT DU NUMERO DE SERIE DE LA MACHINE ORT DER SERIENNUMMER DER MASCHINE UBICACION NUMERO DE SERIE DE LA MAQUINA POSICÃO DO NÚMERO DE MATRÍCULA DA MÁQUINA POSITIE VAN SERIENNUMMER VAN DE MACHINE POSITION PÅ MASKINENS MATRIKEL-NUMMER</p>	 <p>ENGINE SERIAL NUMBER LOCATION POSIZIONE DEL NUMERO DI MATRICOLA DEL MOTORE EMPLACEMENT DU NUMERO DE SERIE DU MOTEUR ORT DER SERIENNUMMER DES MOTORS UBICACION DEL NUMERO DE SERIE DEL MOTOR POSICÃO DO NÚMERO DE MATRÍCULA DO MOTOR POSITIE VAN SERIENNUMMER VAN DE MOTOR POSITION PÅ MOTORENS MATRIKEL-NUMMER</p>

0 - VERSION(00) IDENTIFICATION AND VERSION LIST

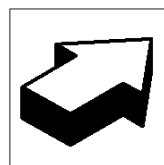
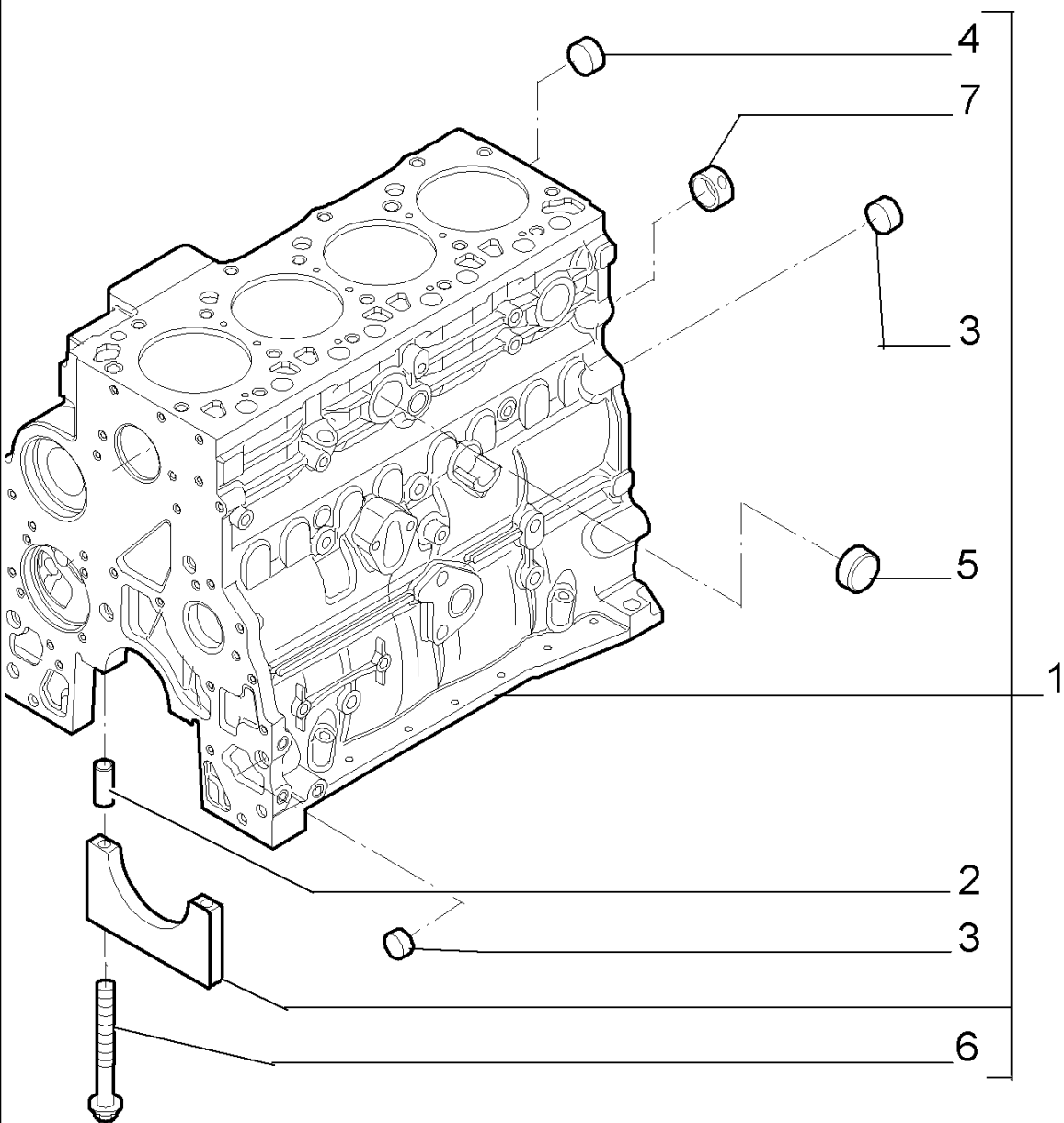
Ref	Part Number	Qty	Description



0.02.1(01) ENGINE

Ref	Part Number	Qty	Description
1	504091267	1	ENGINE, - ASSY (F4GE0484G*D600)
2	76088006	1	CONNECTOR, HYD.,
3	76088005	1	CONNECTOR, HYD.,

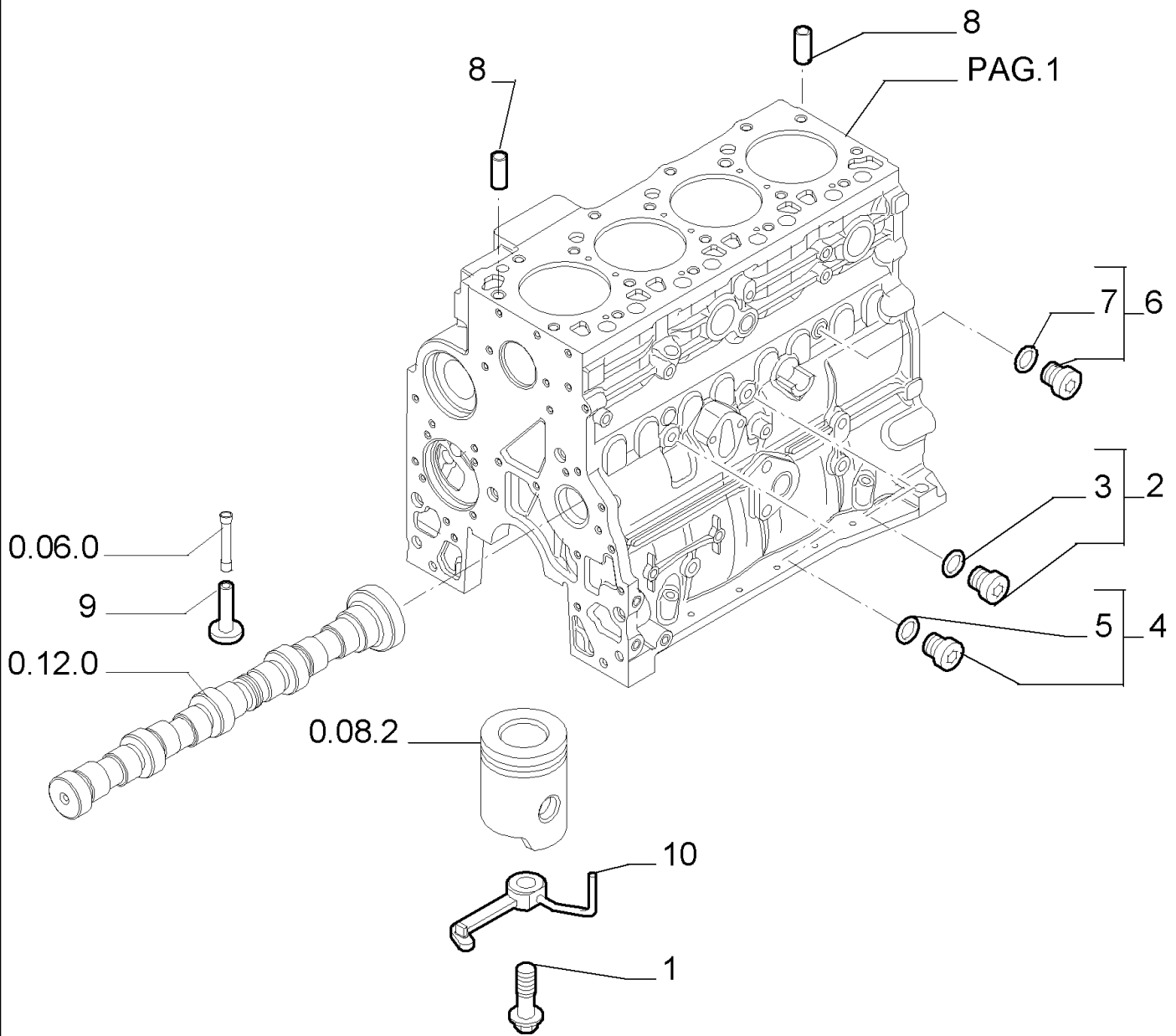
0.04.0(01) CRANKCASE



0.04.0(01) CRANKCASE

Ref	Part Number	Qty	Description
1	2830081	1	CYLINDER BLOCK, - ASSY
2	4899026	10	DOWEL,
3	4895039	3	PLUG,
4	4895038	4	PLUG,
5	4895228	2	PLUG,
6	4891353	10	SCREW, 12X120
7	4895040	2	BUSHING,

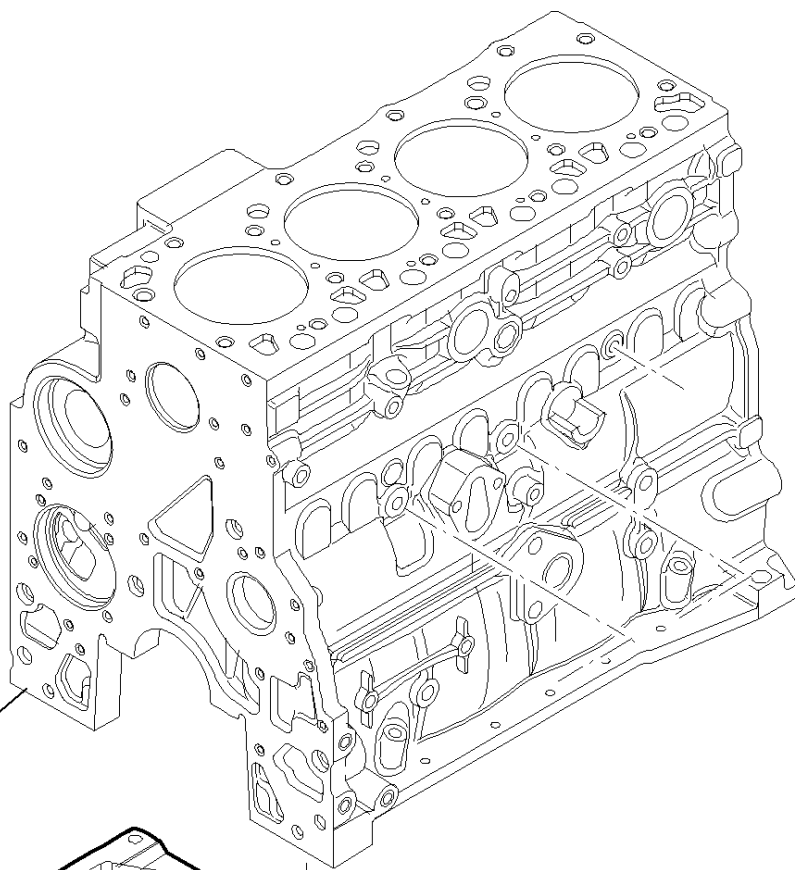
0.04.0(02) CRANKCASE



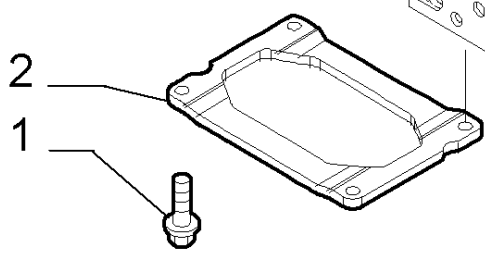
0.04.0(02) CRANKCASE

Ref	Part Number	Qty	Description
1	4894218	1	SCREW,
2	4895605	1	PLUG, 14X1.5 - ASSY
3	4899115	1	O-RING,
4	4899009	1	PLUG, 10X1.5 - ASSY
5	4899072	1	O-RING,
6	4895392	2	PLUG, 18X1.5 - ASSY
7	4895393	2	O-RING,
8	4895049	2	DOWEL,
9	4895180	8	TAPPET,
10	504047260	4	NOZZLE, LUB. OIL JET,

0.04.0(03) CRANKCASE

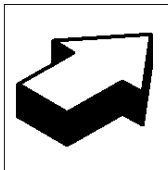


PAG.1



2

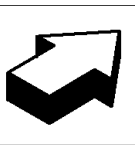
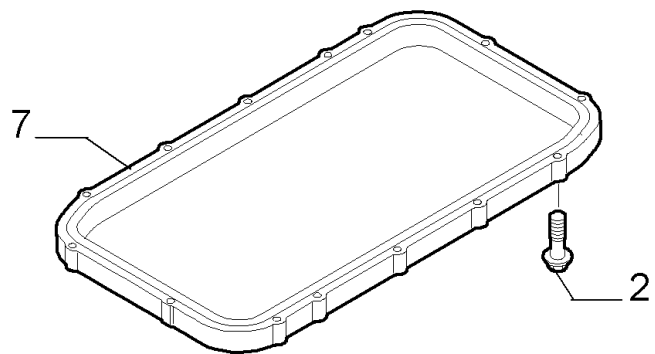
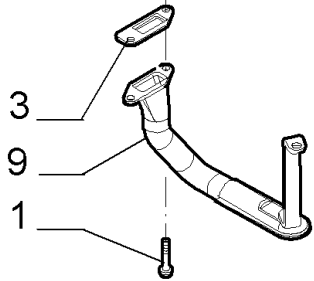
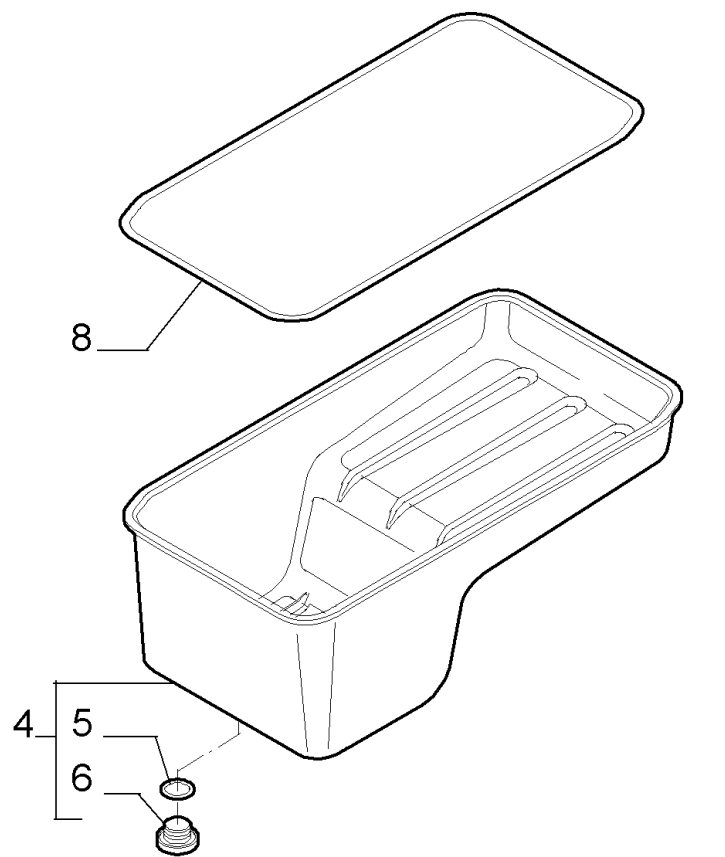
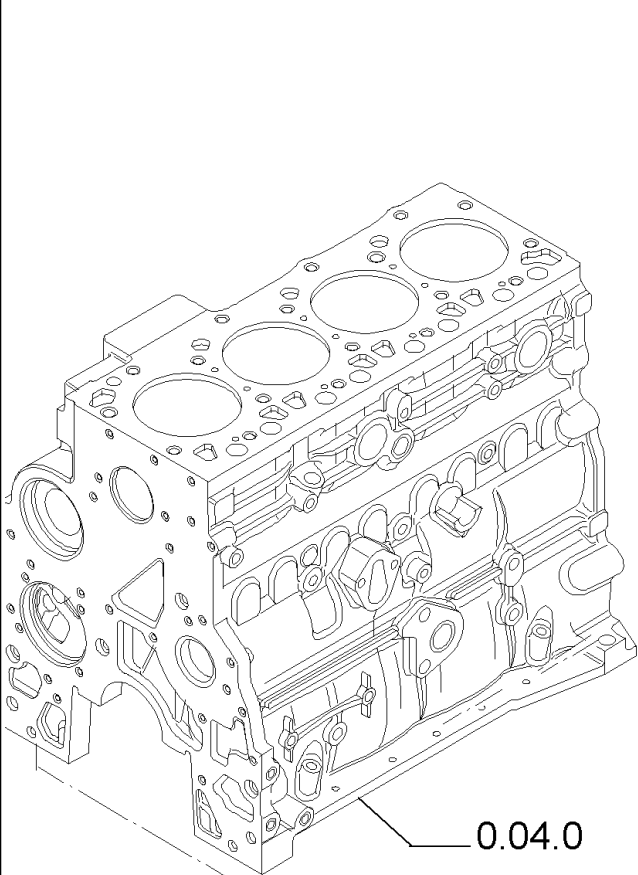
1



0.04.0(03) CRANKCASE

Ref	Part Number	Qty	Description
1	4899032	4	SCREW, Hex Flg, M10 x 1.5 x 25, 10x25
2	504076109	1	STIFFENER,

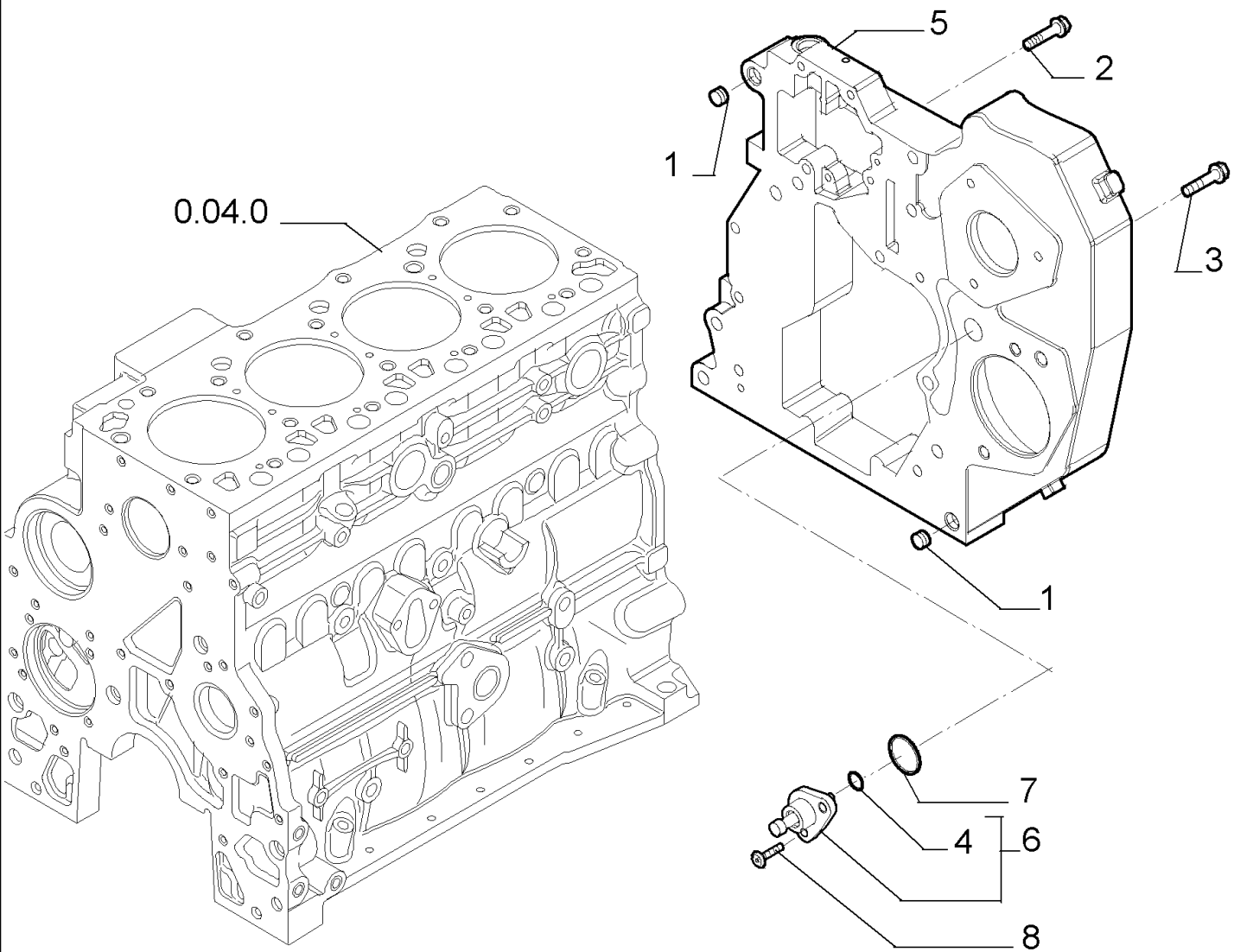
0.04.2(01) ENGINE OIL SUMP



0.04.2(01) ENGINE OIL SUMP

Ref	Part Number	Qty	Description
1	16586324	2	SCREW, 8X20
2	4899091	14	SCREW, Hex Flg, M8 x 1.25 x 40,
3	4898301	1	GASKET,
4	504114348	1	PAN, ENGINE OIL, - ASSY
5	4895584	1	GASKET, 23.4X2.6
6	4894139	1	PLUG, 22X1.5
7	4897876	1	SPACER,
8	4897877	1	GASKET,
9	4891791	1	

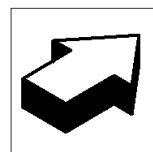
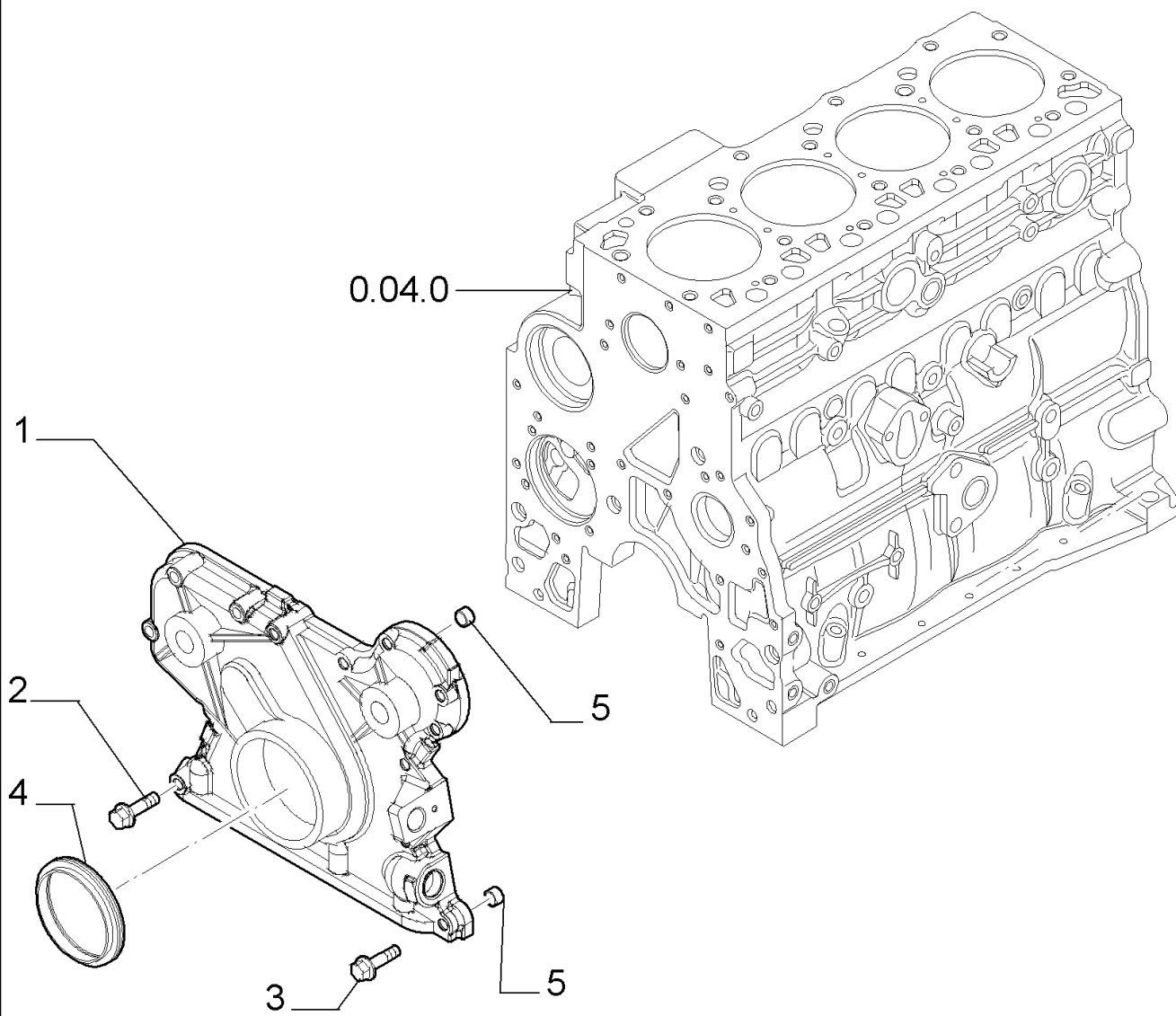
0.04.3(01) CRANKCASE COVERS



0.04.3(01) CRANKCASE COVERS

Ref	Part Number	Qty	Description
1	4899026	2	DOWEL,
2	4899091	4	SCREW, Hex Flg, M8 x 1.25 x 40,
3	4899093	5	SCREW, Hex Flg, M10 x 1.5 x 30,
3	4899073	2	SCREW, Hex Flg, M12 x 1.75 x 30,
4	17278080	1	O-RING,
5	504097906	1	COVER,
6	504074001	1	COVER, - ASSY
7	17278780	1	O-RING,
8	4895355	2	SCREW, 5X17

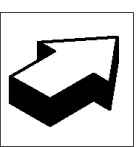
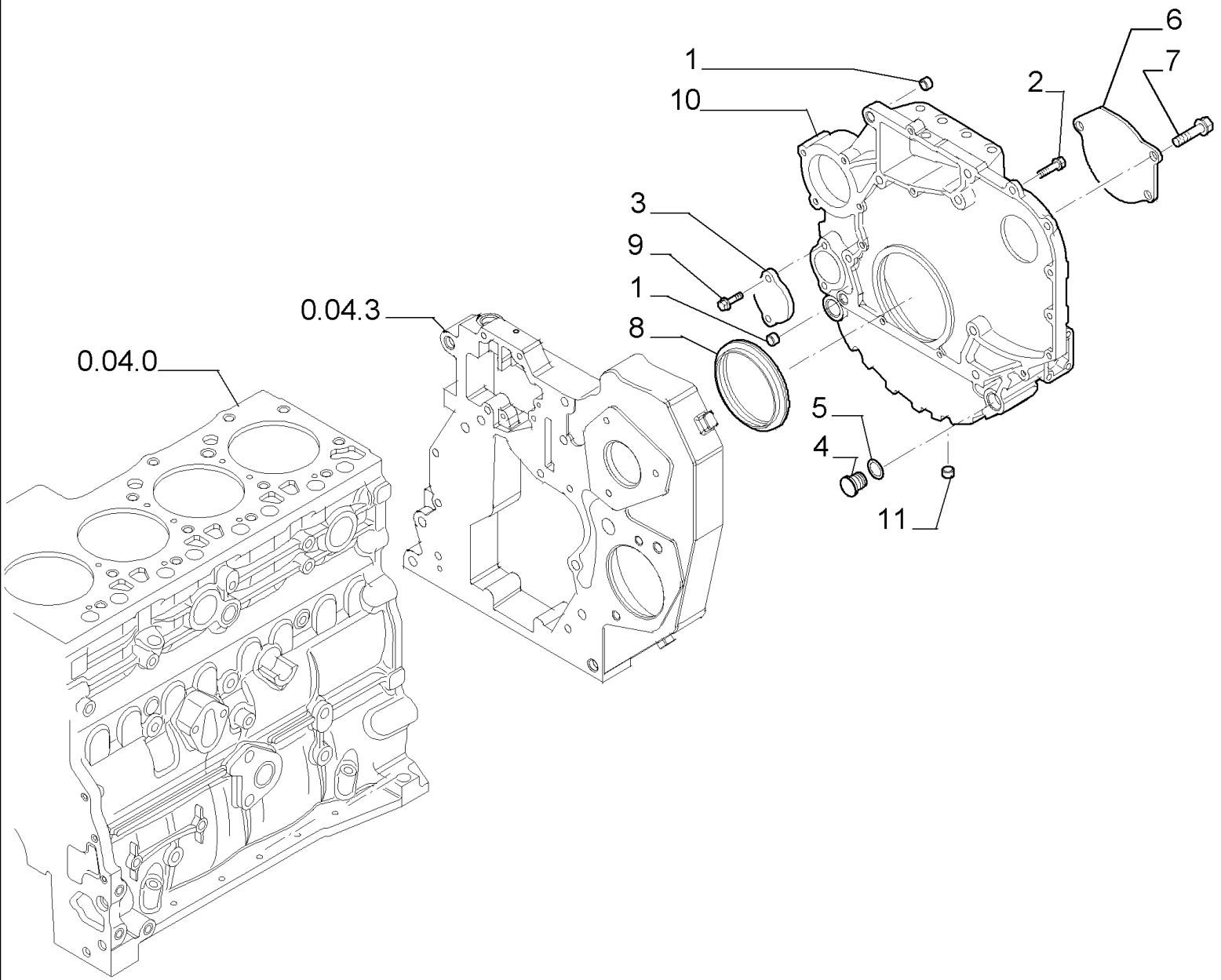
0.04.3(02) CRANKCASE COVERS



0.04.3(02) CRANKCASE COVERS

Ref	Part Number	Qty	Description
1	4897026	1	COVER, - FRONT
2	4899078	5	SCREW, Hex Flg, M8 x 1.25 x 45,
3	4899063	8	SCREW, Hex Flg, M8 x 1.25 x 30,
4	4890832	1	GASKET,
5	4891209	2	DOWEL,

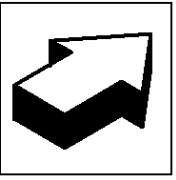
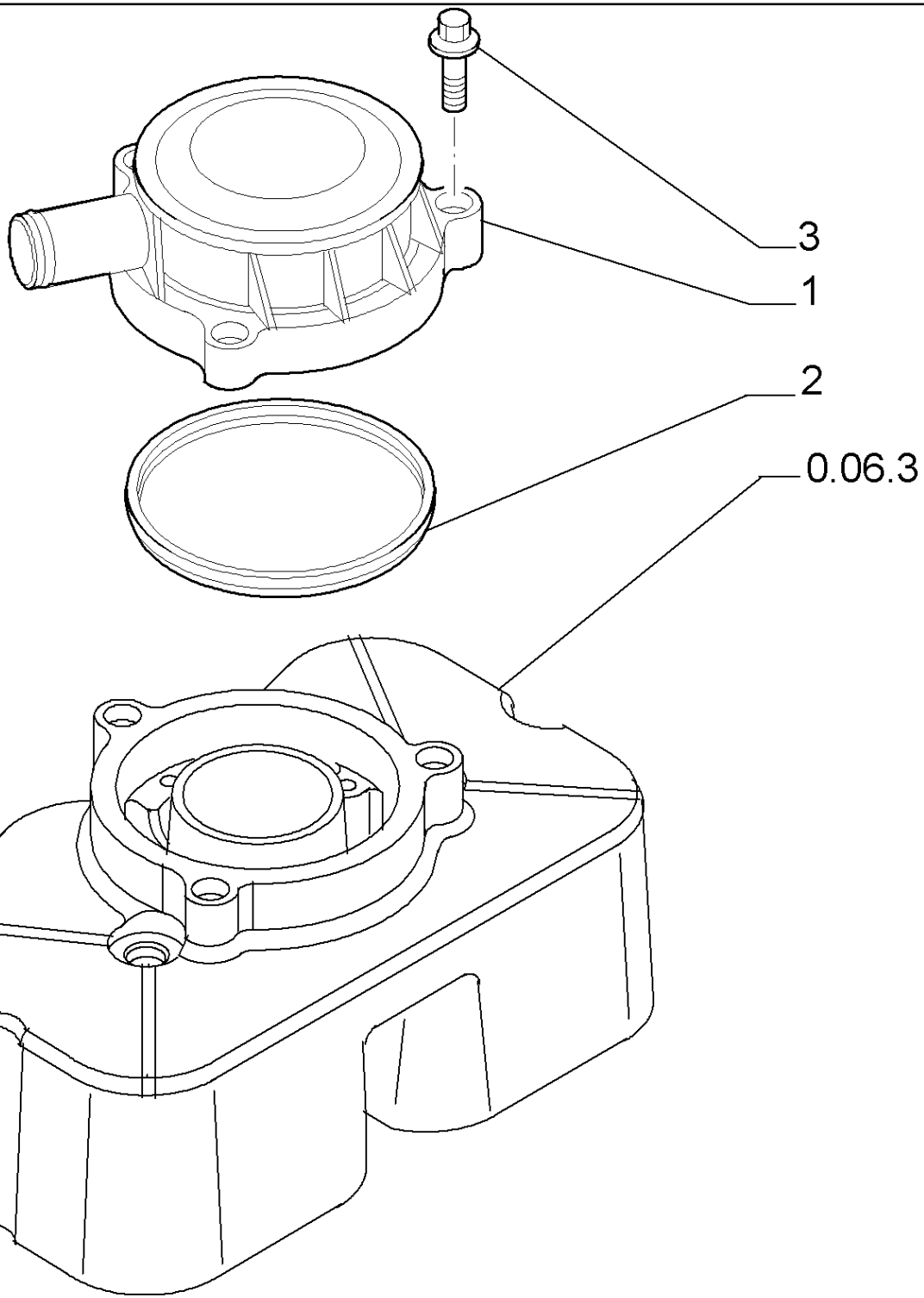
0.04.3(03) CRANKCASE COVERS



0.04.3(03) CRANKCASE COVERS

Ref	Part Number	Qty	Description
1	4899026	2	DOWEL,
2	4899109	3	SCREW, Hex, M10 x 1.5 x 80,
2	4892915	7	SCREW, M10x1.5x40
2	4899076	5	SCREW, Hex Flg, M12 x 1.75 x 80, M12x80
2	4899074	2	SCREW, Hex Flg, M12 x 1.75 x 120,
2	4899143	1	SCREW, Hex Flg, M10 x 1.5 x 140,
2	504080094	2	SCREW, M10x35
3	4895358	1	COVER,
4	4895378	2	PLUG,
5	4895379	2	O-RING, M21.82 ID x 3.53 Thk
6	504030423	1	COVER,
7	16586324	3	SCREW,
8	4890833	1	GASKET,
9	4899103	2	SCREW, Hex Flg, M8 x 1.25 x 12, M8x17
10	504069775	1	COVER,
11	4895079	1	PLUG,

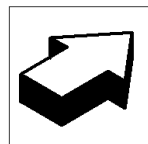
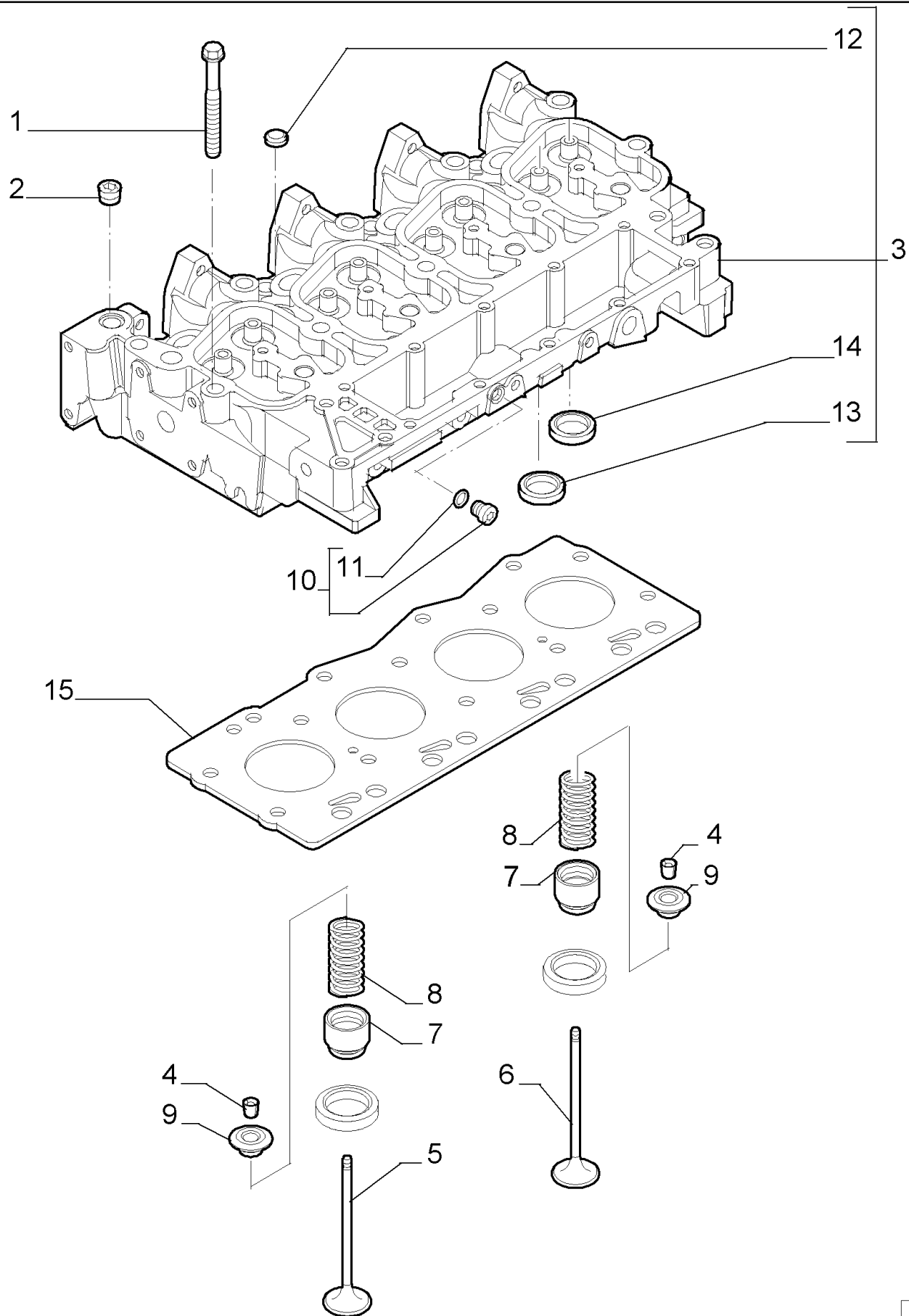
0.04.5(01) BREATHER - ENGINE



0.04.5(01) BREATHER - ENGINE

Ref	Part Number	Qty	Description
1	504069558	1	BREATHER,
2	500315795	1	GASKET,
3	4899110	3	SCREW, Hex Flg, M6 x 1 x 20,

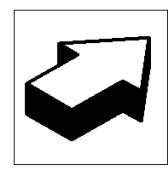
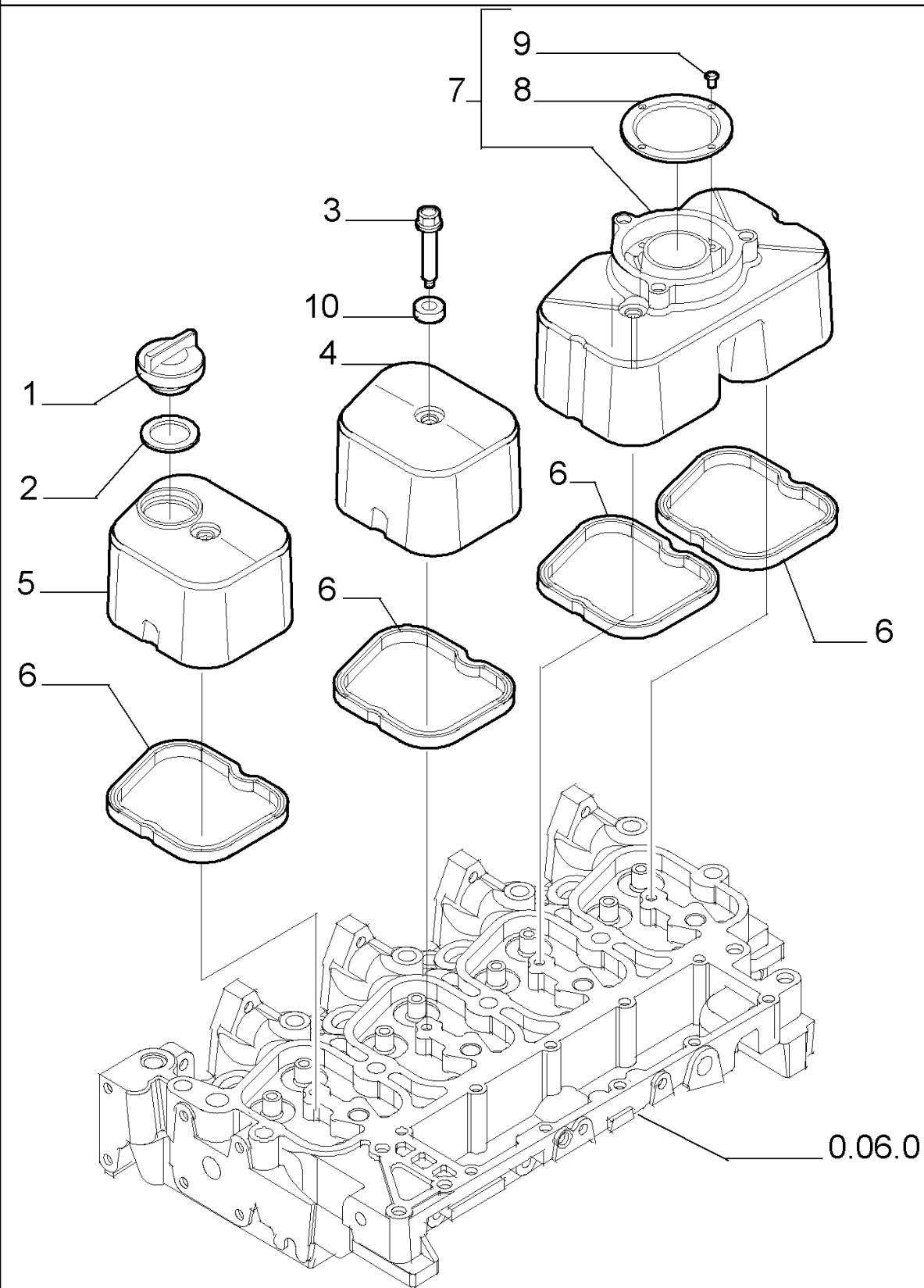
0.06.0(01) CYLINDER HEAD



0.06.0(01) CYLINDER HEAD

Ref	Part Number	Qty	Description
1	4892861	4	SCREW,
1	4892859	10	SCREW,
2	4895078	5	PLUG,
3	4895790	1	CYLINDER HEAD, - ASSY
4	4895183	16	COTTER, ROCKER ARM,
5	4895188	4	VALVE, ENG EXHAUST, STD,
6	4895187	4	VALVE, ENGINE, INLET, STD,
7	4895347	8	CUP,
8	4895215	8	SPRING,
9	4895184	8	CUP,
10	4899009	1	PLUG, 10X1.5 - ASSY
11	4899072	1	O-RING,
12	4895179	3	PLUG,
13	4897178	4	VALVE SEAT, - INTAKE
14	4897179	4	VALVE SEAT, - EXHAUST
15	2830919	1	GASKET, CYLINDER HEAD, SP=1.25
15	2830920	1	GASKET, SP=1.15

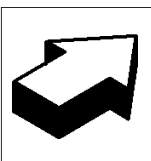
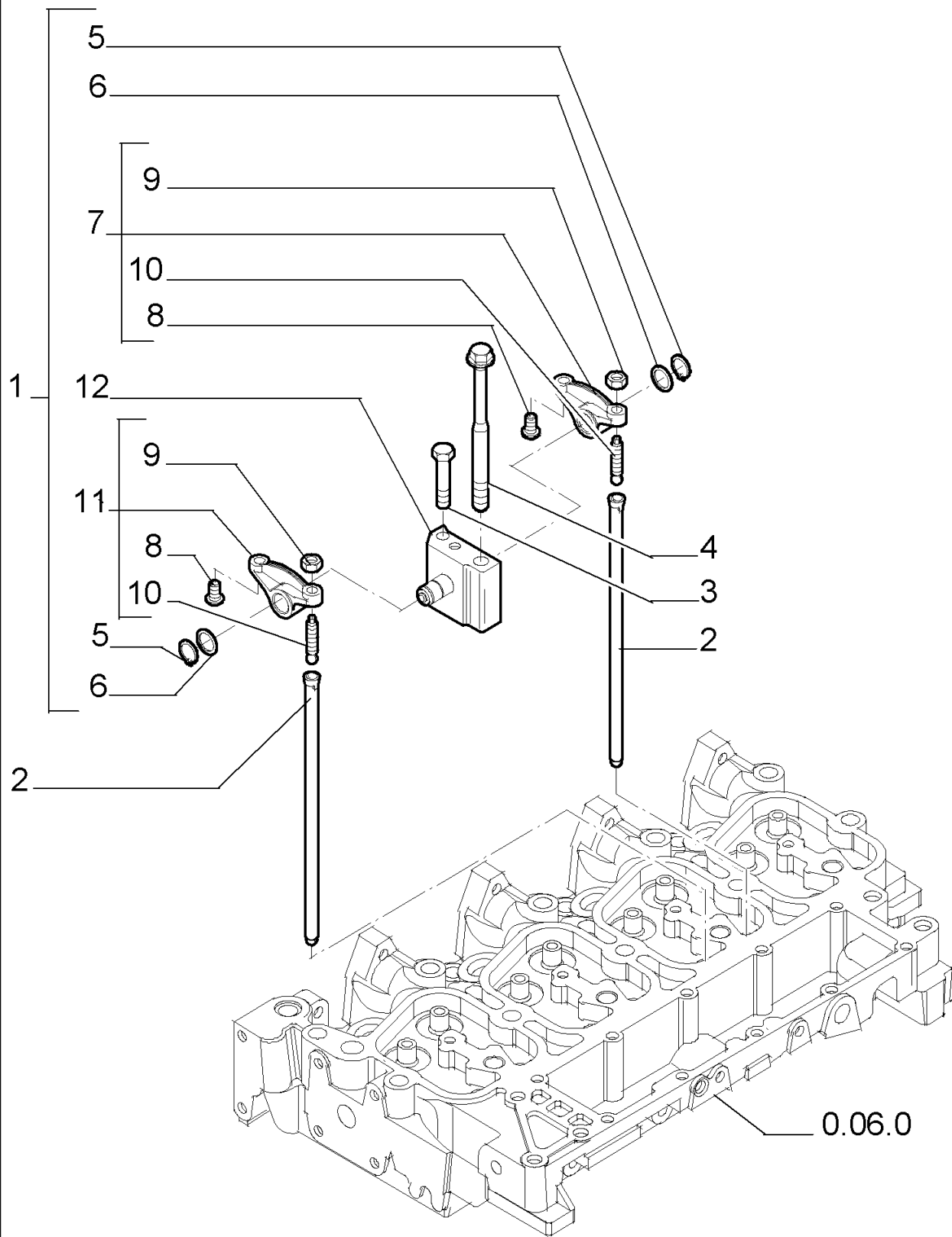
0.06.3(01) CYLINDER HEAD COVERS



0.06.3(01) CYLINDER HEAD COVERS

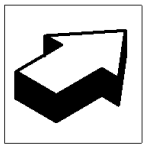
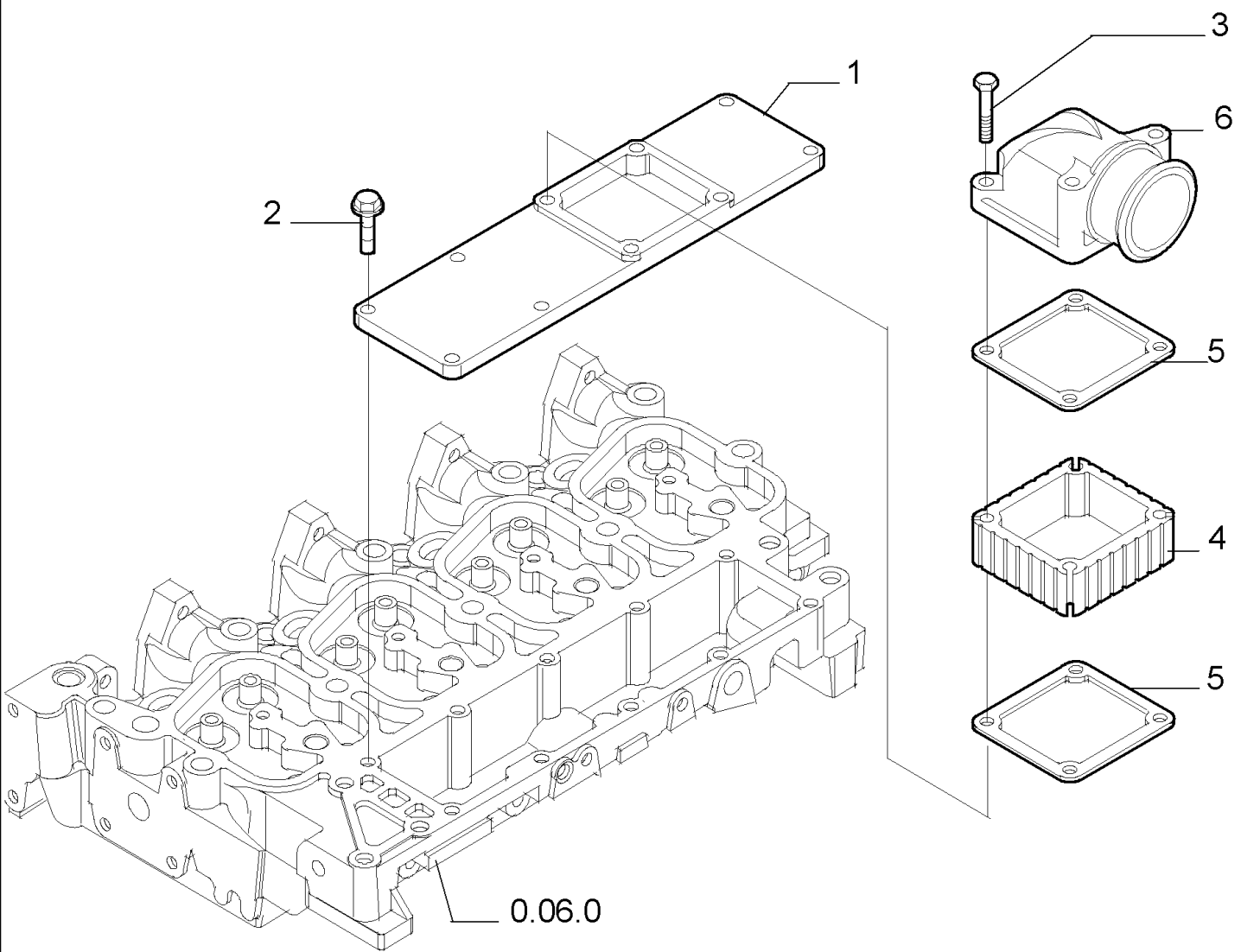
Ref	Part Number	Qty	Description
1	4895202	1	CAP, INTRODUCTION,
2	4895296	1	GASKET,
3	4895214	4	SCREW,
4	504065040	1	COVER,
5	504065039	1	
6	504053522	4	GASKET,
7	2830784	1	COVER, - ASSY
8	2830775	1	BAFFLE,
9	16784504	4	SCREW,
10	4895360	4	BUSHING,

0.06.6(01) ROCKER SHAFT



0.06.6(01) ROCKER SHAFT

Ref	Part Number	Qty	Description
1	4895195	4	ROCKER ARM, - ASSY
2	4895361	8	ROD, PUSH,
3	504067723	4	SCREW,
4	4892860	4	SCREW,
5	4895363	2	RING,
6	4895364	2	WASHER,
7	4895196	1	ROCKER ARM, - ASSY
8	4895365	2	SPACER,
9	4895198	2	NUT,
10	4895199	2	SCREW,
11	4895200	1	ROCKER ARM, - ASSY
12	4895204	1	SUPPORT,

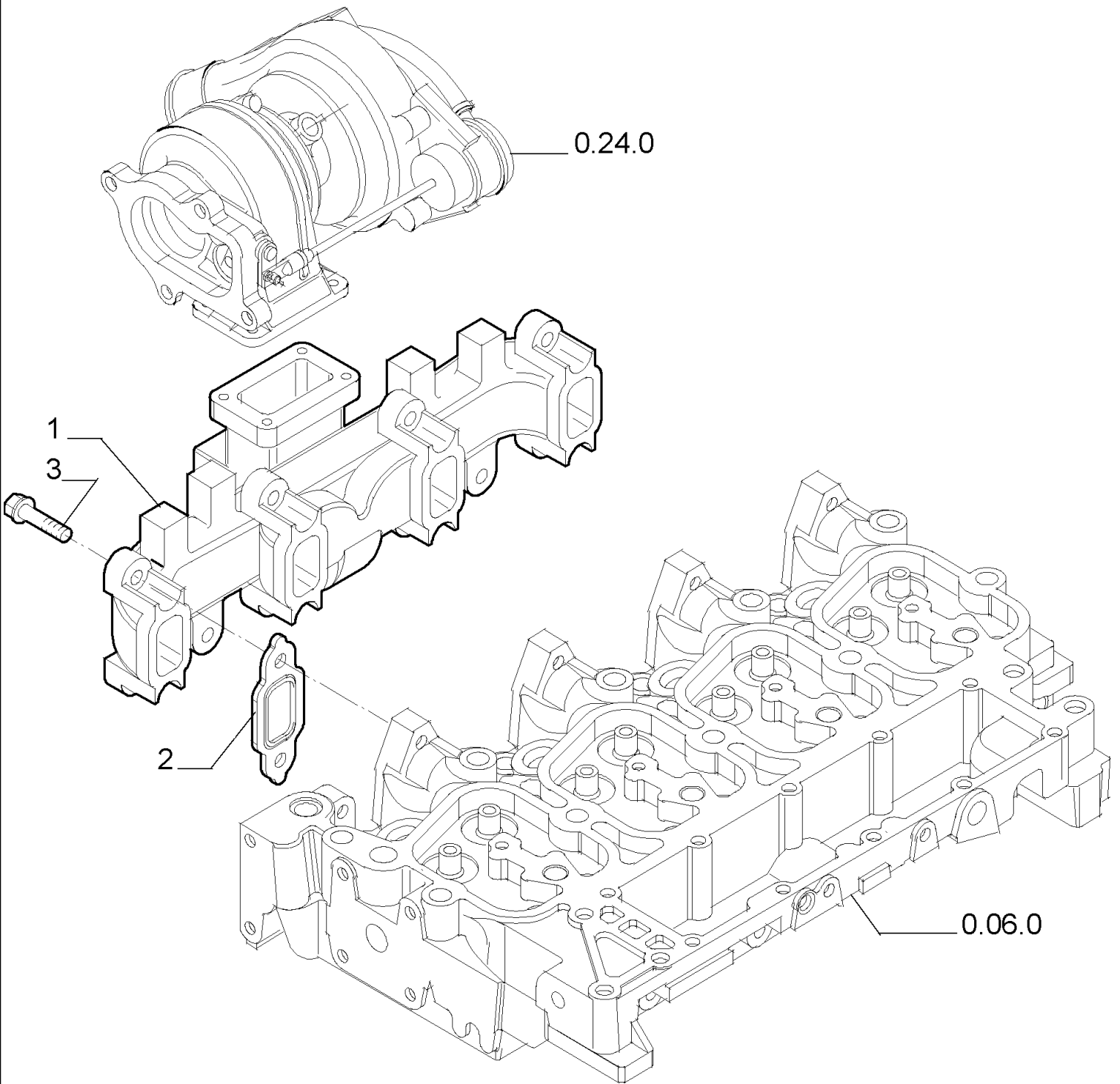


TX170-45 TURBO TELEHANDLER (3/05-)

0.07.1(01) INTAKE MANIFOLD - VERSION (01-02)

Ref	Part Number	Qty	Description
1	504064865	1	COVER,
2	4899039	6	SCREW, Hex Flg, M8 x 1.25 x 25,
3	16598624	2	SCREW, Hex Flg, M8 x 1.25 x 140, 8X140
3	16598224	2	SCREW, 8X90
4	4895648	1	SPACER,
5	4899921	2	GASKET,
6	504027034	1	ELBOW,

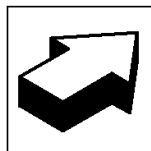
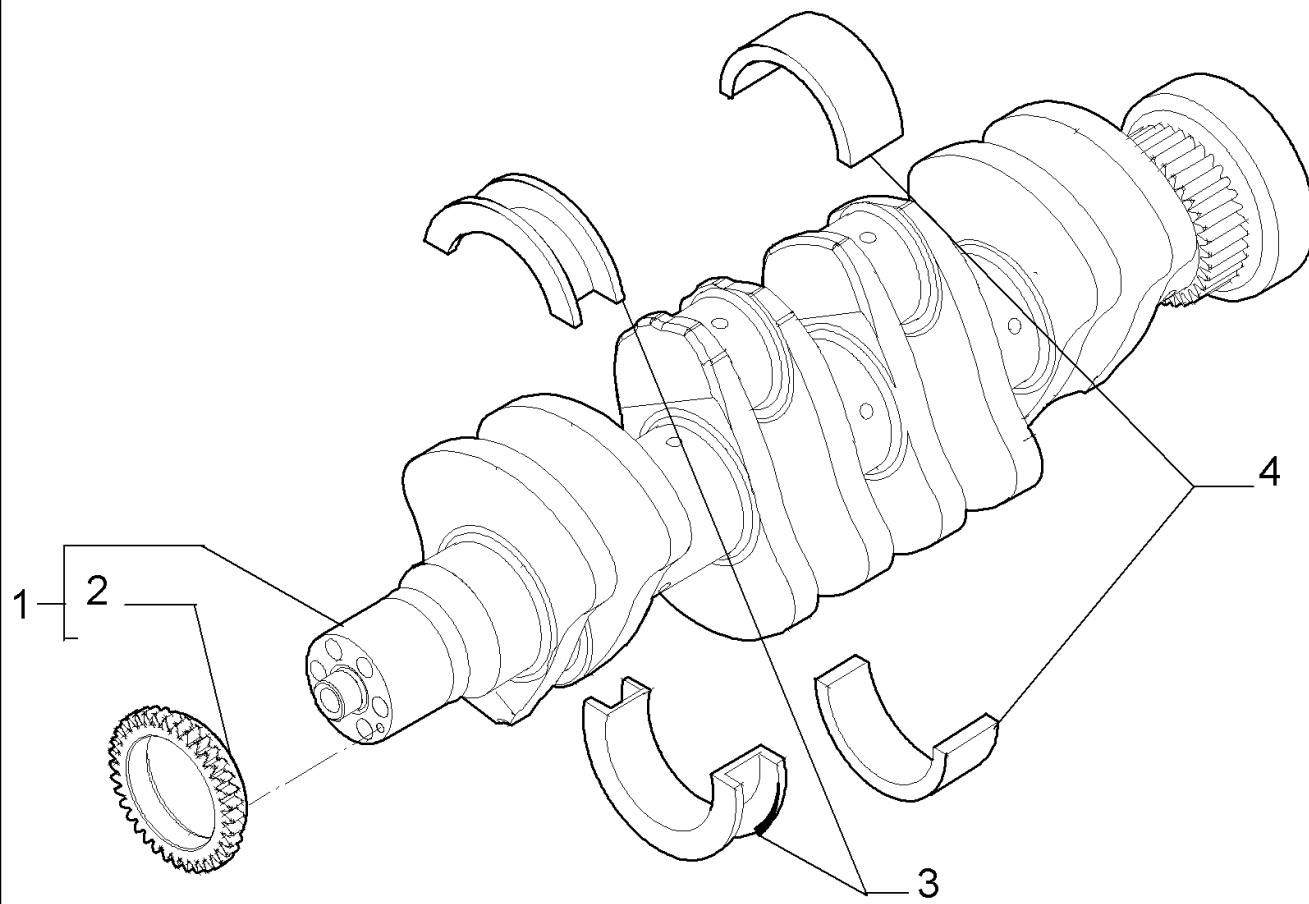
0.07.7(01) EXHAUST MANIFOLD



0.07.7(01) EXHAUST MANIFOLD

Ref	Part Number	Qty	Description
1	504035083	1	MANIFOLD, EXHAUST,
2	504081248	4	GASKET,
3	504085705	8	SCREW,

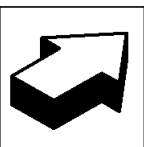
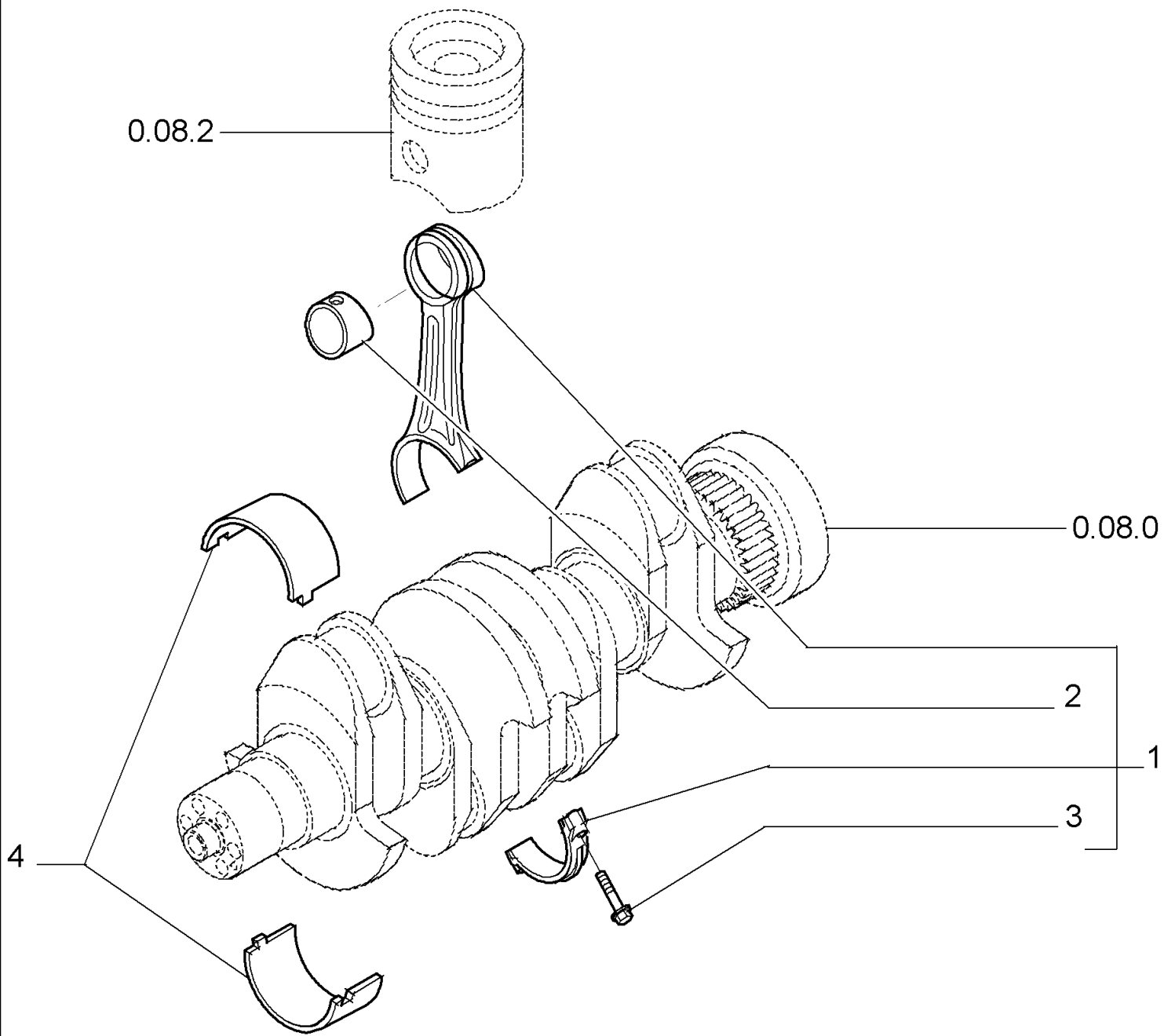
0.08.0(01) CRANKSHAFT



0.08.0(01) CRANKSHAFT

Ref	Part Number	Qty	Description
1	504048350	1	CRANKSHAFT, - ASSY
2	4893386	1	GEAR,
3	2992153	1	SET, THRUST WASHERS (STD), (-0.000) (-0.000)
3	2992154	1	SET, THRUST WASHERS+0.254, (-0.254) (-0.250)
3	2992155	1	SET, THRUST WASHERS+0.508, (-0.508) (-0.500)
4	2992147	4	SET OF MAIN BRGS.STD,
4	2992148	4	SET OF CONN ROD BRGS U/S, (-0.254) (-0.250)
4	2992149	4	SET OF CONN ROD BRGS U/S, (-0.508) (-0.500)

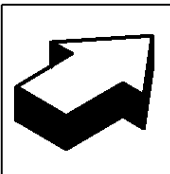
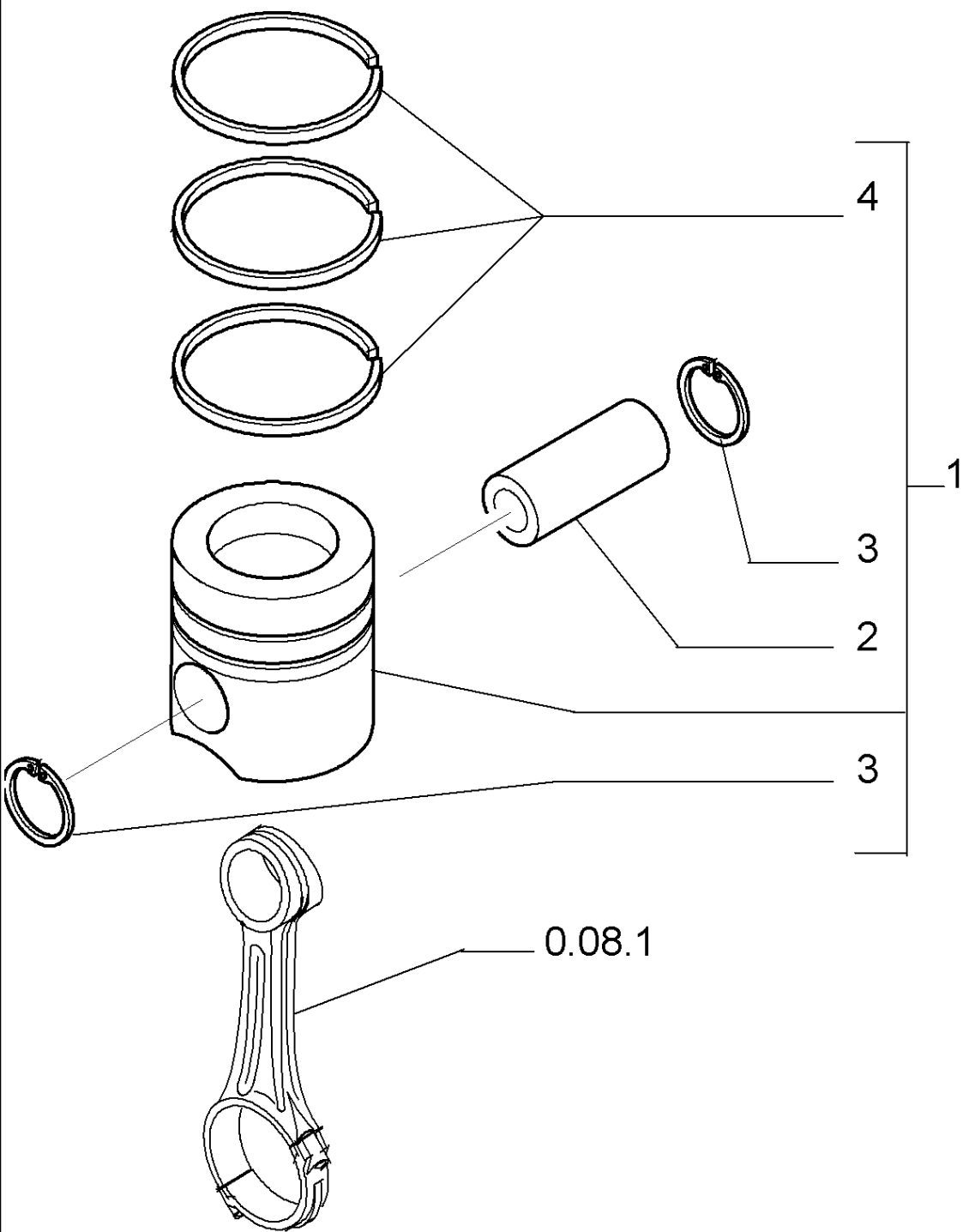
0.08.1(01) CONNECTING ROD



0.08.1(01) CONNECTING ROD

Ref	Part Number	Qty	Description
1	2831298	4	ROD, CONNECTING, - ASSY
2	4892708	1	BUSHING,
3	2831297	2	SCREW,
4	8093882	4	SET, CONN ROD BRGS (STD), (-0.000) (-0.000)

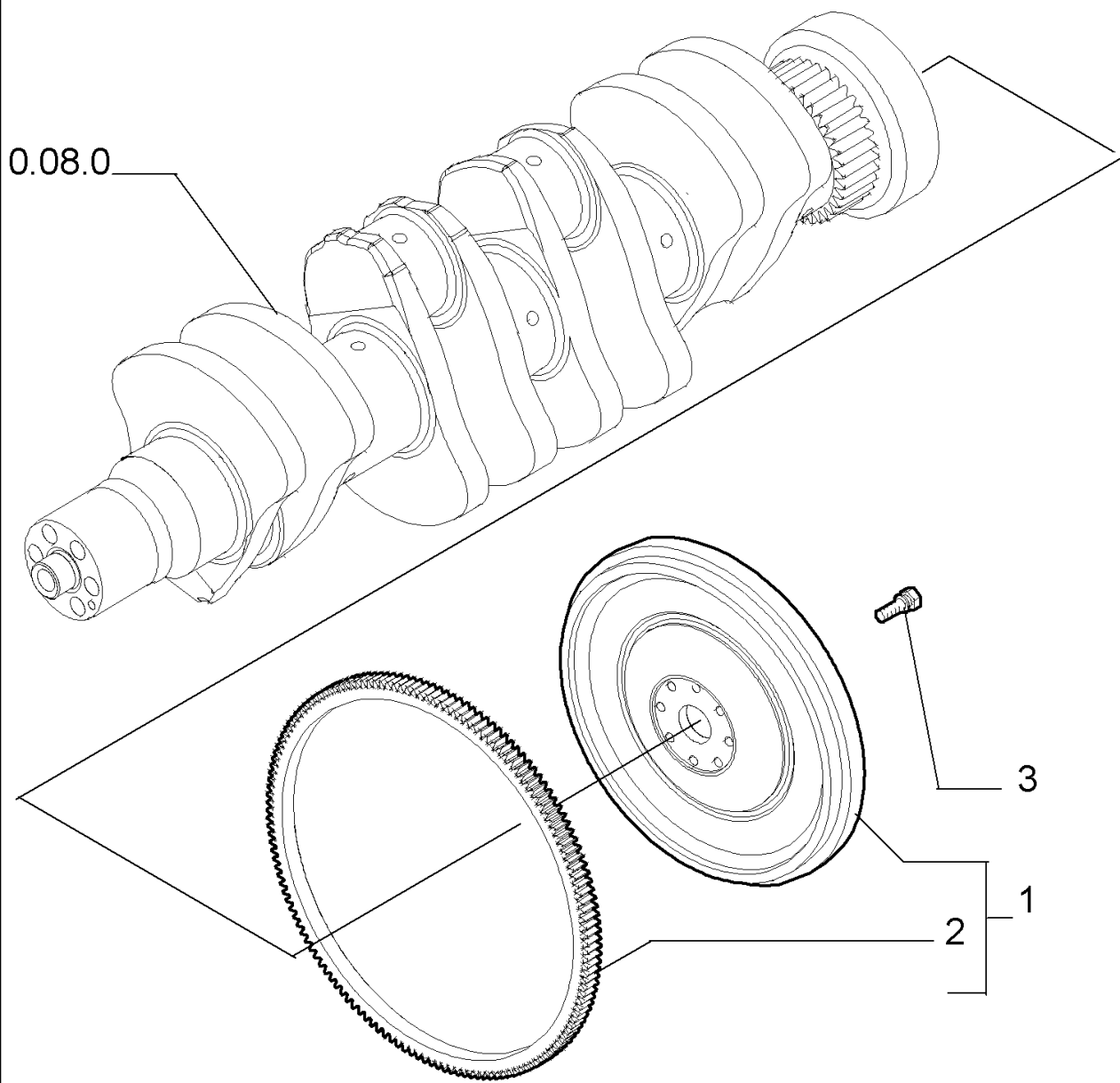
0.08.2(01) PISTON - ENGINE



0.08.2(01) PISTON - ENGINE

Ref	Part Number	Qty	Description
1	8094740	4	STD
1	8094753	4	+ 0.4
2	4892712	1	PIN, PISTON,
3	4892713	2	RING, LOCKING,
4	8094739	1	STD
4	8094752	1	+ 0.4

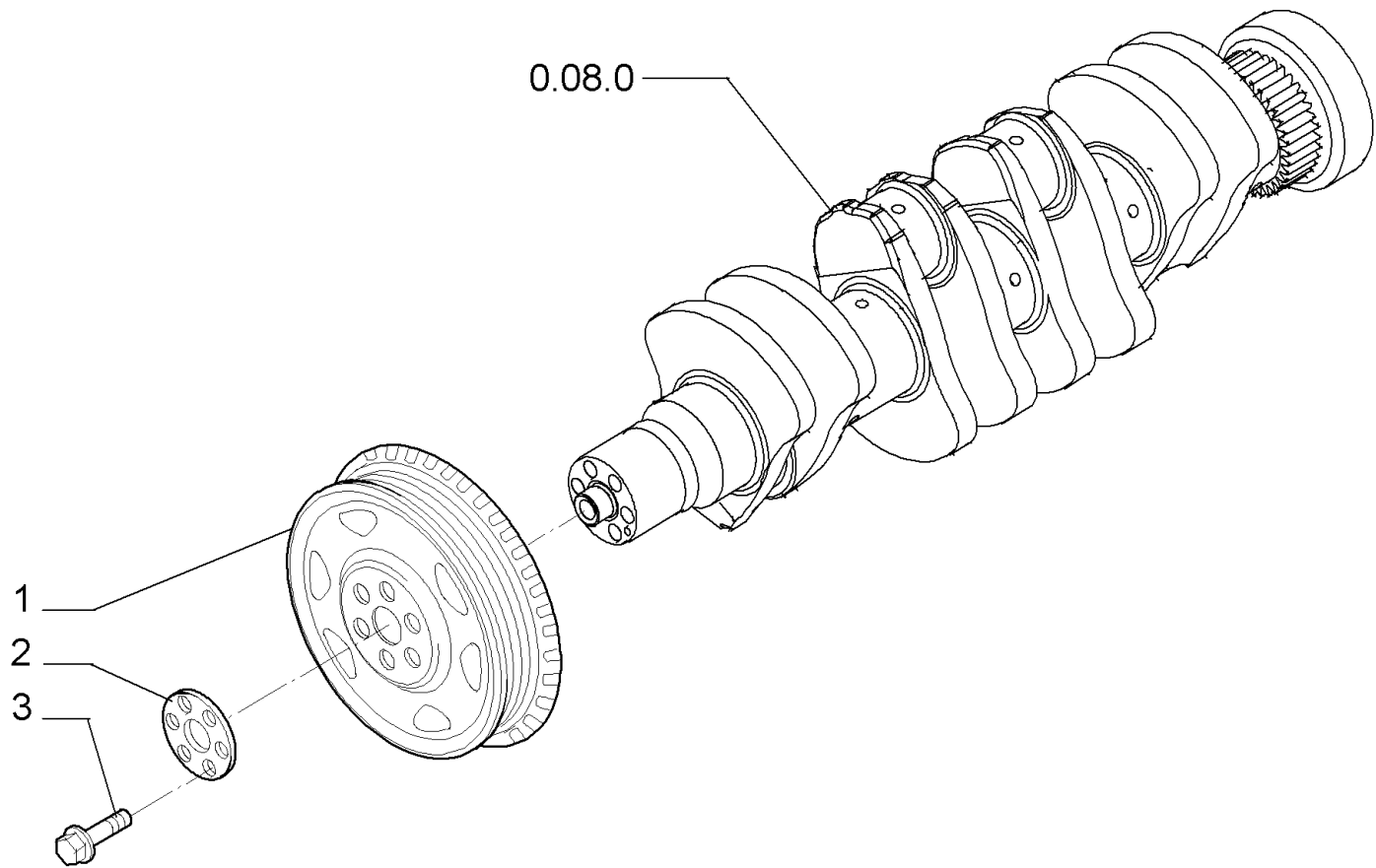
0.08.3(01) FLYWHEEL - ENGINE



0.08.3(01) FLYWHEEL - ENGINE

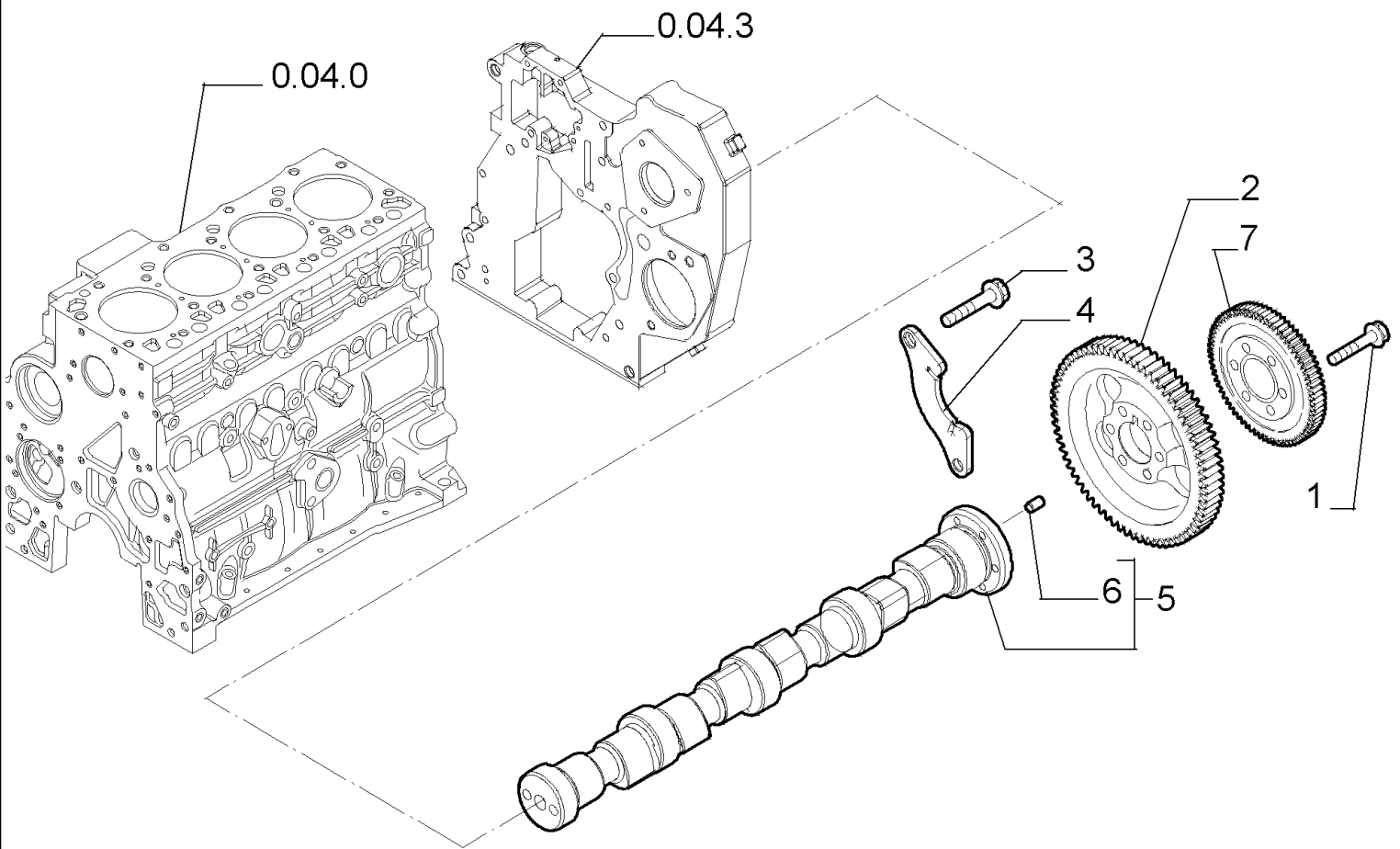
Ref	Part Number	Qty	Description
1	504005021	1	FLYWHEEL, ENGINE, - ASSY
2	500388140	1	GEAR, RING,
3	4894641	8	SCREW,

0.08.4(01) PULLEY - CRANKSHAFT



0.08.4(01) PULLEY - CRANKSHAFT

Ref	Part Number	Qty	Description
1	4896773	1	PULLEY,
2	504027452	1	WASHER,
3	4892867	6	SCREW,



BUY NOW

**Then Instant Download
the Complete Manual
Thank you very much!**