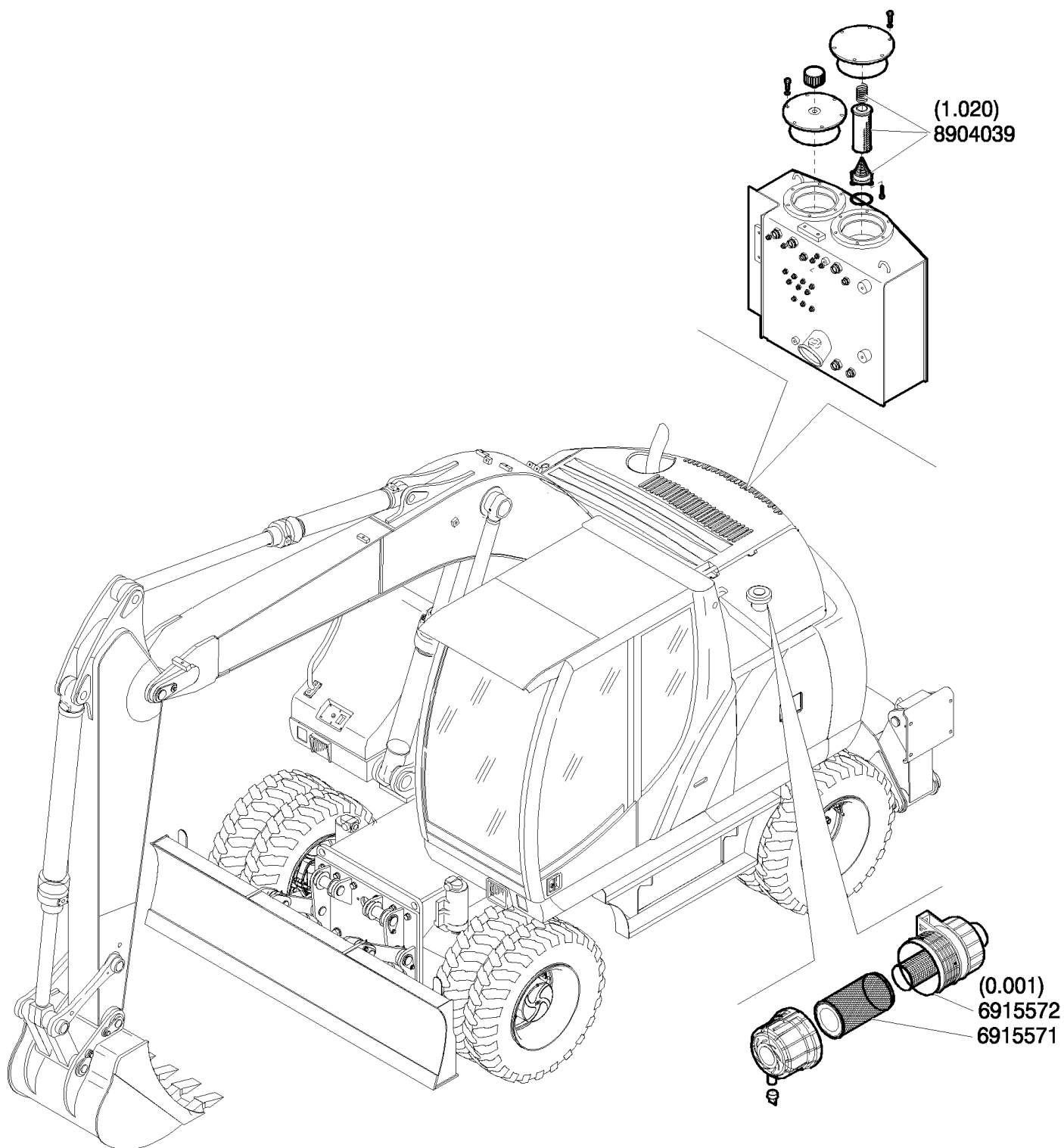




PARTS CATALOGUE

WHEELED EXCAVATOR
WX145
TIER 3



(1.020)
8904039

(0.001)
6915572
6915571

WX145 TIER 3 WHEELED EXCAVATOR (6/07-)

0 - FILTERS(00) MAINTENANCE PARTS

Ref	Part Number	Qty	Description

MODELS MODELLI MODELES MODELLE MODELLOS MODELLOS MODELLEN MODELLER	ENGINEERING CODE DENOMINAZIONE TECNICA DESIGNATION TECHNIQUE TECHNISCHE BEZEICHNUNG SIGNACION TÉCNICA DENOMINAÇÃO TÉCNICA TECNISCHE BENAMING TEKNISCH BENÆVNELSE	ENGINE MODEL MODELLO DEL MOTORE MODELE DU MOTEUR MOTORBAUMUSTER MODELO DEL MOTOR MODELO DO MOTOR MODEL VAN MOTOR MOTOR-MODEL	VERSION CODE CODICE VERSIONE CODE VERSION CODE VERSION CÓDIGO VERSION CÓDIGO VERSÃO CODE VERSIE VERSIONS-KODE
WX 145 WM	540380460	CNH	01
WX 145 WT	540381460	F4GE9484E* J600	02

MODELS
MODELLI
MODELES
MODELLE
MODELLOS
MODELLOS
MODELLEN
MODELLER

MACHINE SERIAL NUMBER – NUMERO DI MATRICOLA DELLA MACCHINA
 NUMERO DE SERIE DE LA MACHINE – SERIENNUMMER DER MASCHINE
 NUMERO DE SERIE DE LA MAQUINA – MATRÍCULA DA MÁQUINA
 SERIENNUMMER VAN DE MACHINE – MASKINENS MATRIKEL

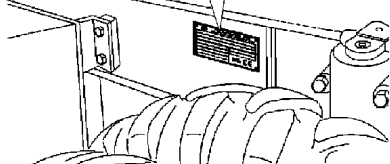
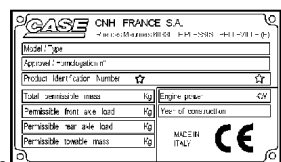
WX 145 WM	NSU0WX145	N7LB00000 ← [*]
WX 145 WT	NSU0WX145	N7LB00000 ← [*]

- (*) Machine identification code, useful in case of Dealer assistance.
- (*) Codice identificativo specifico della macchina, da riportare nelle comunicazioni con la Rete Assistenziale.
- (*) Code d'identification spécifique du véhicule, à reporter dans les communications avec le Réseau d'Assistance.
- (*) Spezifischer Kenn-Code der Maschine, der in den Mitteilungen an das Kundendienstnetz anzugeben ist.
- (*) Código de identificación específico de la máquina, a incluir en las comunicaciones con la Red Asistencial.
- (*) Código identificativo específico da máquina, que deve ser indicado nas comunicações com a Rede de Assistência.
- (*) Specifieke identificatiecode van de machine, te vermelden bij communicatie met het Servicenetwerk.
- (*) Specifik identifikations-kode for maskinen som skal anføres i kommunikationerne med Service-nettet.

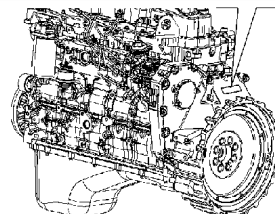
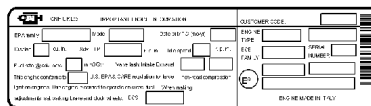
RECORD YOUR SERIAL NUMBERS BELOW – REGISTRATE I VOSTRI NUMERI DI MATRICOLA QUI SOTTO
 ENREGISTREZ VOS NUMEROS DE SERIE CI-DESSOUS – UNTEN SERIENNUMMER VIERMERKEN
 ANOTE AQUI LOS NUMEROS DE SERIE – REGISTRAR OS NÚMEROS DE MATRÍCULA ABAIXO
 NOTEER HIERONDER DE SERIENNUMMERS – REGISTRER DERES MATRIKEL-NUMRE FOR NEDEN

MACHINE SERIAL NUMBER - NUMERO DI MATRICOLA DELLA MACCHINA
 NUMERO DE SERIE DE LA MACHINE - SERIENNUMMER DER MASCHINE
 NUMERO DE SERIE DE LA MAQUINA - MATRÍCULA DA MÁQUINA
 SERIENNUMMER VAN DE MACHINE - MASKINENS MATRIKEL

ENGINE SERIAL NUMBER - MATRICOLA DEL MOTORE
 NUMERO DE SERIE DU MOTEUR - SERIENNUMMER DES MOTORS
 NUMERO DE SERIE DEL MOTOR - MATRÍCULA DO MOTOR
 SERIENNUMMER VAN DE MOTOR - MOTORENS MATRIKEL



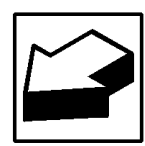
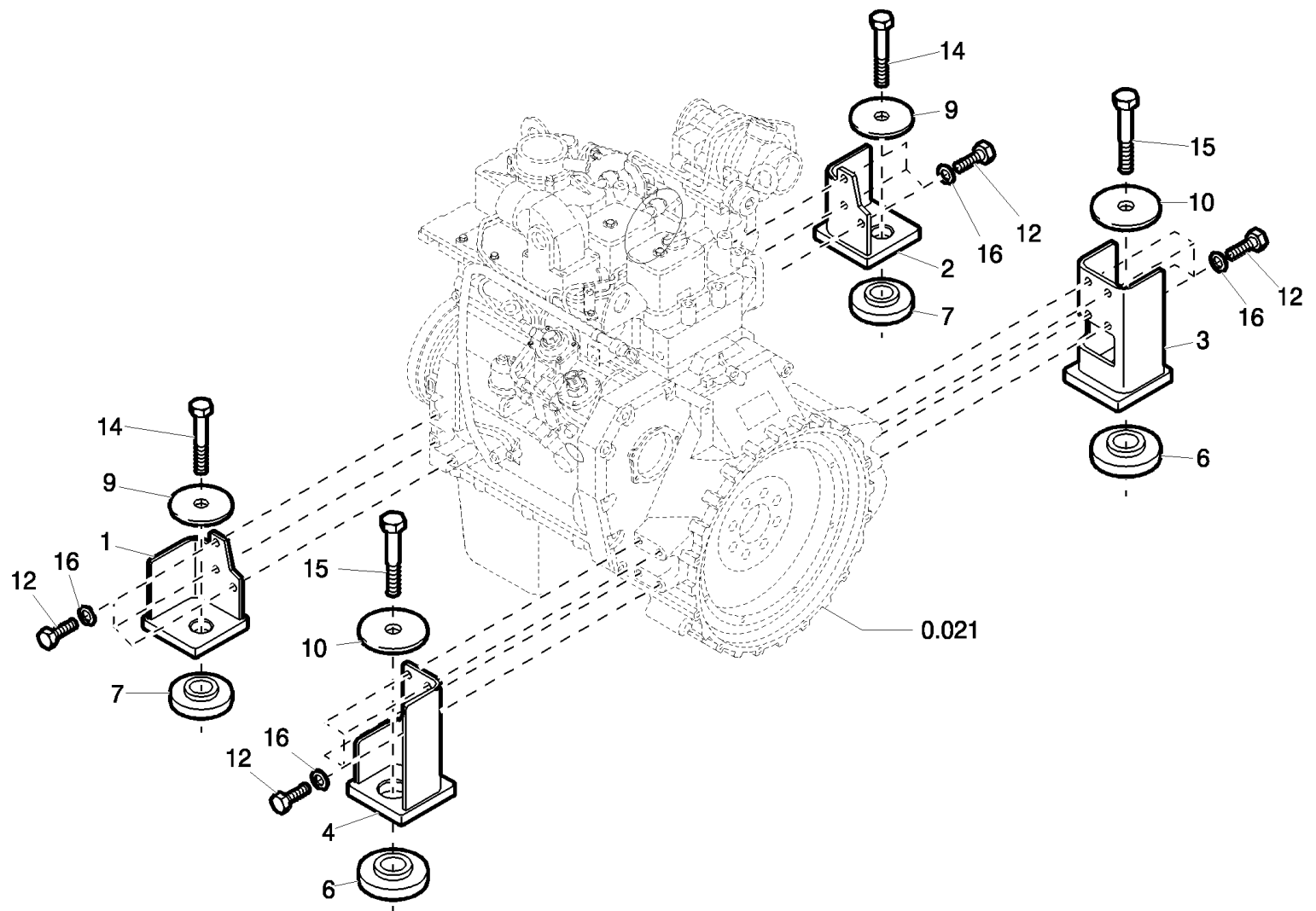
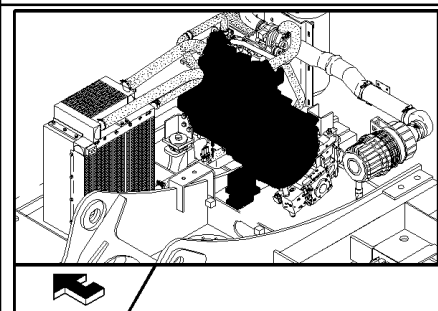
MACHINE SERIAL NUMBER LOCATION
 POSIZIONE DEL NUMERO DI MATRICOLA DELLA MACCHINA
 EMBLACEMENT DU NUMERO DE SERIE DE LA MACHINE
 ORT DER SERIENNUMMER DER MASCHINE
 UBICACION DEL NUMERO DE SERIE DE LA MAQUINA
 POSIÇÃO DO NUMERO DE MATRÍCULA DA MÁQUINA
 POSITIE VAN SERIENNUMMER VAN DE MACHINE
 POSITION PÅ MASKINENS MATRIKEL-NUMMER



ENGINE SERIAL NUMBER LOCATION
 POSIZIONE DEL NUMERO DI MATRICOLA DEL MOTORE
 EMBLACEMENT DU NUMERO DE SERIE DU MOTEUR
 ORT DER SERIENNUMMER DES MOTORS
 UBICACION DEL NUMERO DE SERIE DEL MOTOR
 POSIÇÃO DO NUMERO DE MATRÍCULA DO MOTOR
 POSITIE VAN SERIENNUMMER VAN DE MOTOR
 POSITION PÅ MOTORENS MATRIKEL-NUMMER

Ref	Part Number	Qty	Description

0.000(01) ENGINE SUSPENSIONS

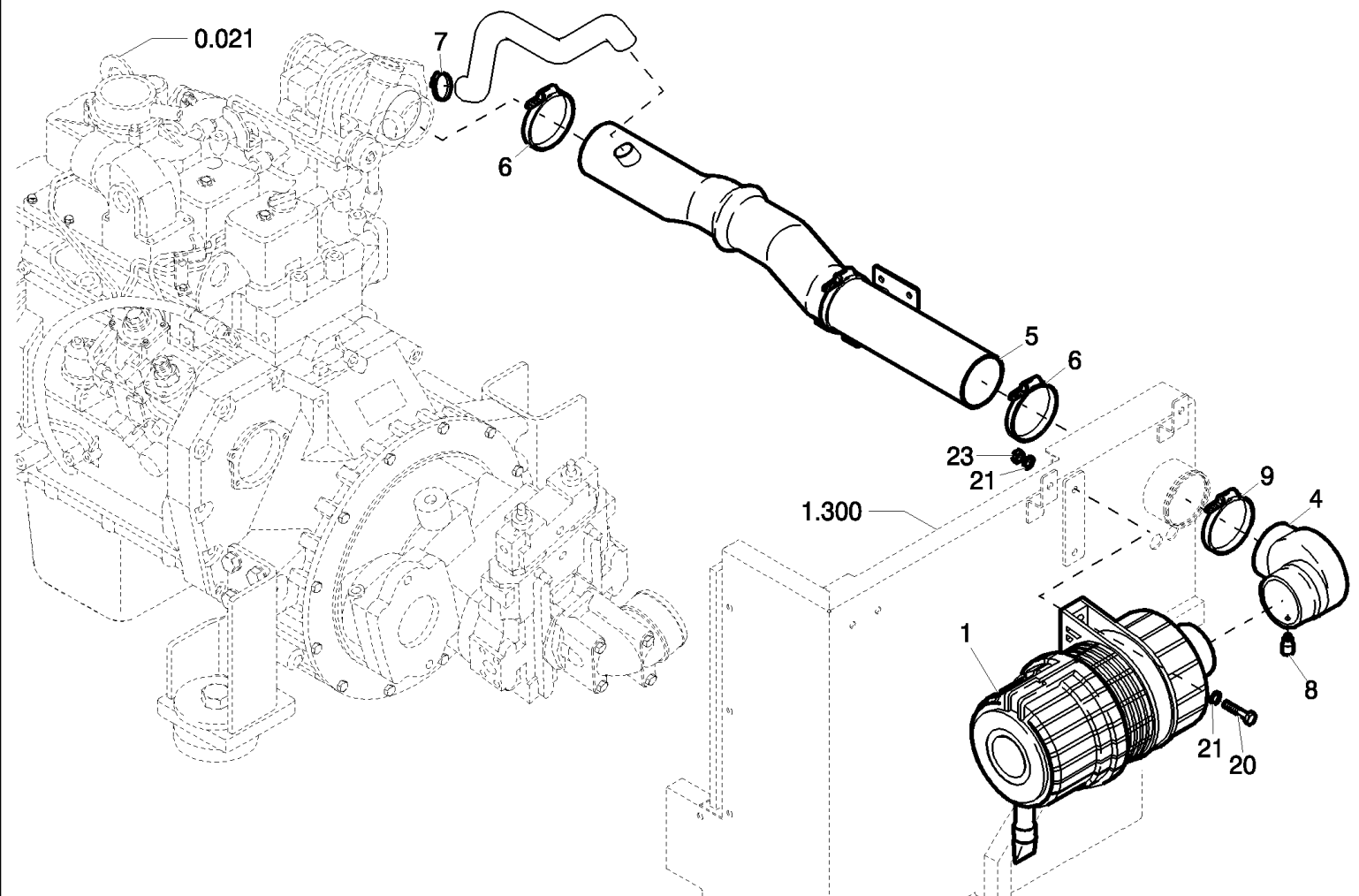
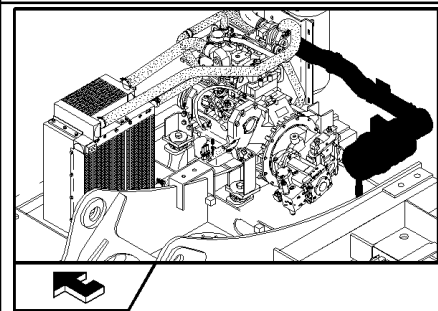


WX145 TIER 3 WHEELED EXCAVATOR (6/07-)

0.000(01) ENGINE SUSPENSIONS

Ref	Part Number	Qty	Description
1	6553153	1	
2	8900457	1	
3	8913981	1	
4	8913915	1	
6	6100010	2	
7	2928828	2	
9	3000965	2	
10	3008459	2	
12	518152	14	
14	251836	2	
15	2976925	2	
16	8408970	14	

0.001(01) AIR CLEANER

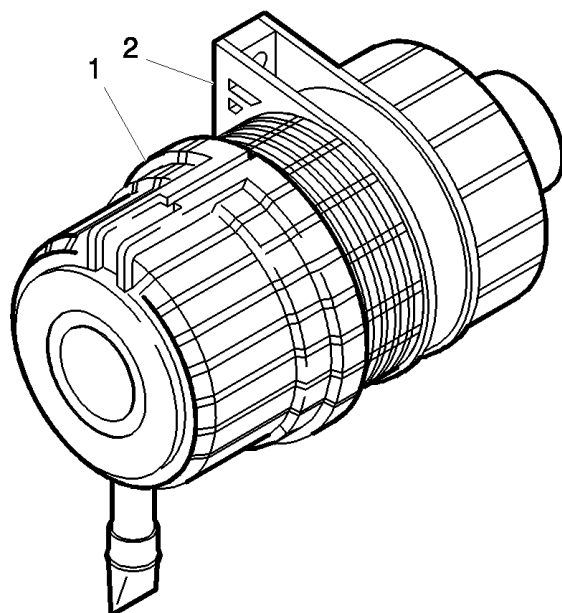
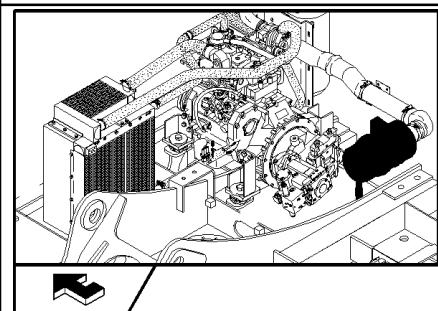


WX145 TIER 3 WHEELED EXCAVATOR (6/07-)

0.001(01) AIR CLEANER

Ref	Part Number	Qty	Description
1	8917966		FILTER, AIR, - ASSY SEE PAGE 2
4	8913991		HOSE,
5	8913992		HOSE,
6	251532		LAMP,
7	725335		CLIP, HOSE,
8	8406392		INDICATOR,
9	725334		CLIP, HOSE,
20	120106		BOLT, Hex, M8 x 40, 8.8, Full Thd,
21	2975165		WASHER,
23	68841		NUT, LOCK, M8 x 1.25, CI 8,

0.001(02) AIR FILTER



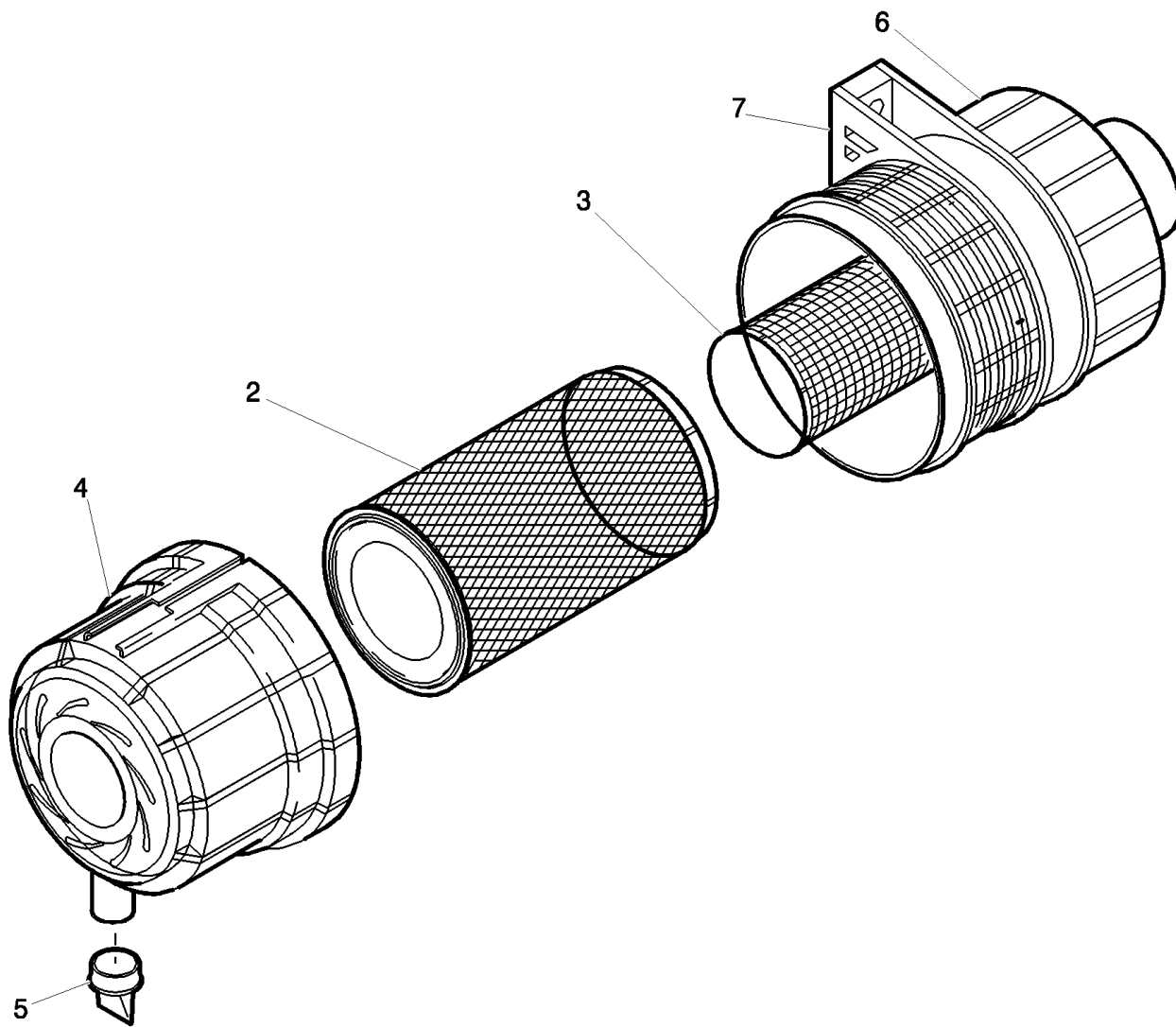
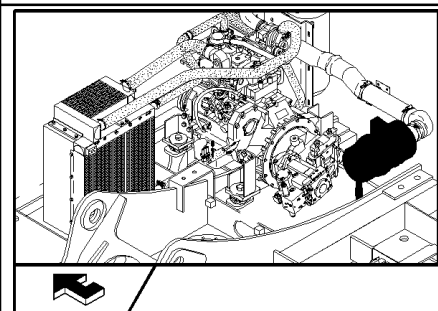
WX145 TIER 3 WHEELED EXCAVATOR (6/07-)

0.001(02) AIR FILTER

Ref	Part Number	Qty	Description
1	2929739	1	FILTER, AIR, - ASSY SEE PAGE 3
2	2929738	1	CLIP,

FILTER AIR ASSY P/N 8917966

0.001(03) AIR FILTER - COMPONENTS



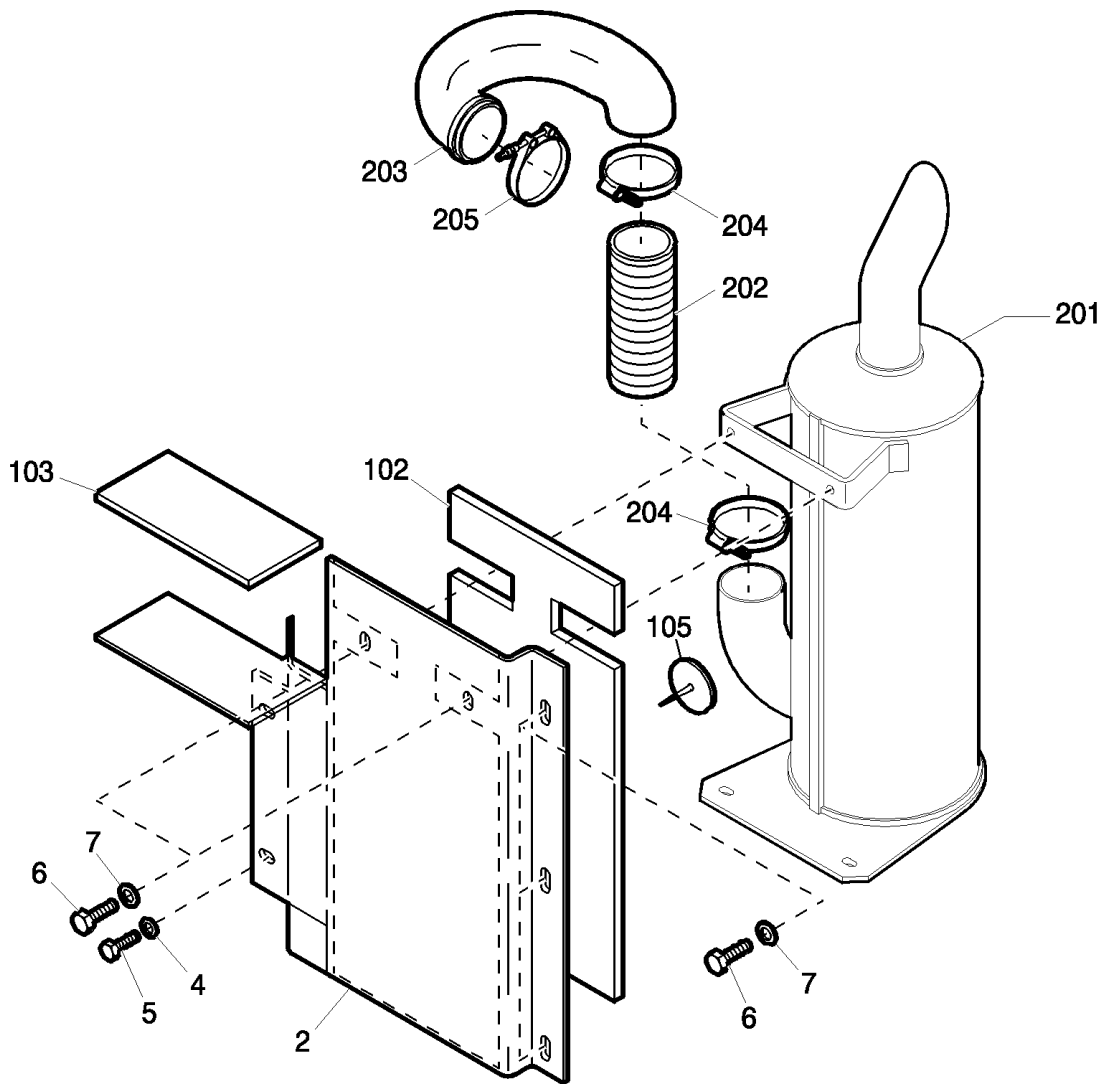
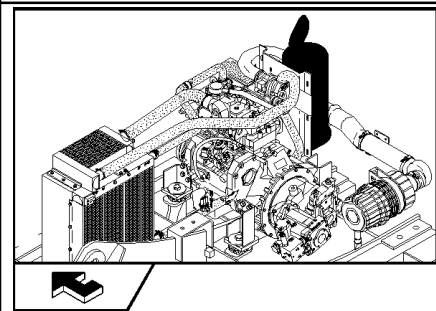
WX145 TIER 3 WHEELED EXCAVATOR (6/07-)

0.001(03) AIR FILTER - COMPONENTS

Ref	Part Number	Qty	Description
2	6915571	1	
3	6915572	1	
4	6915573	1	
5	1487631	1	
6	1488524	1	
7	2479831	1	

FILTER AIR ASSY P/N 2929739

0.002(01) MUFFLER



WX145 TIER 3 WHEELED EXCAVATOR (6/07-)

0.002(01) MUFFLER

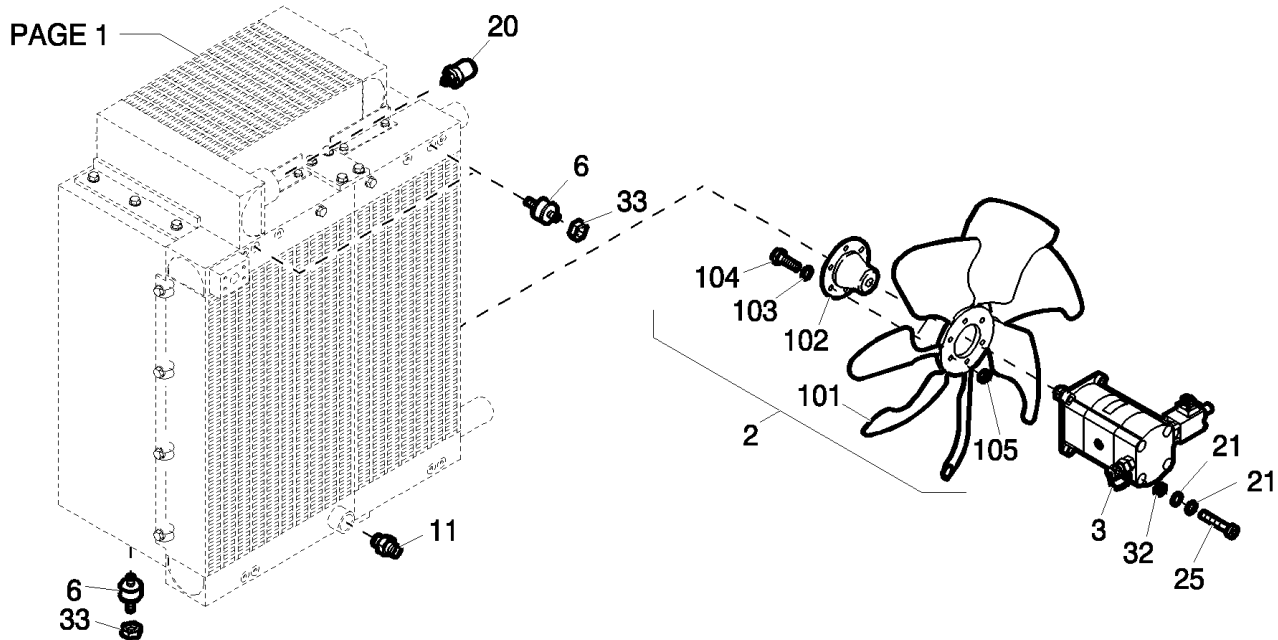
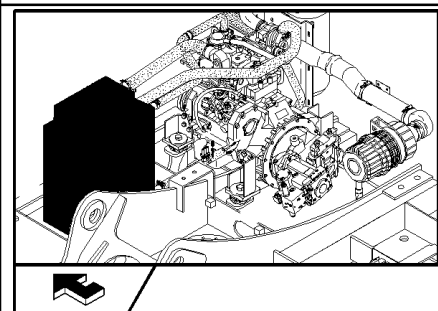
Ref	Part Number	Qty	Description
1	8917541	1	MUFFLER, , Includes 201 to 205
2	8914141	1	PROTECTION, , Includes 102 to 105
4	2975160	6	WASHER, LOCK,
5	2975077	6	BOLT, Hex, M10 x 25, 8.8, Full Thd,
6	57013	3	BOLT, Hex, M8 x 20, 8.8,
7	57111	3	WASHER,
102	8914142	1	INSULATION, FOAM,
103	8912086	1	INSULATION, FOAM,
105	925539	4	CLIP,
201	6553097	1	MUFFLER,
202	6553098	1	PIPE, EXHAUST SYSTEM,
203	6553094	1	PIPE, EXHAUST SYSTEM,
204	6553096	2	CLIP,
205	2929090	1	CLIP,

WX145 TIER 3 WHEELED EXCAVATOR (6/07-)

0.003(01) RADIATOR

Ref	Part Number	Qty	Description
1	87593096	1	COOLER ASSY., - ASSY SEE PAGE 4
4	8917898	1	RESERVOIR, - ASSY SEE PAGE 3
5	2700430	1	SENDOR, TEMPERATURE,
8	8913971	1	HOSE,
9	6553139	1	TUBE, TYRE/TIRE,
7	6553141	1	HOSE,
10	8913974	1	HOSE,
11	2479363	2	CLIP,
12	2900074	2	CLIP,
13	2168072	1	CLIP, HOSE,
15	2900074	4	CLIP,
16	6555674	1	ANGLE BAR,
17	6555709	1	PLATE,
18	1665742	1	SOCKET,
19	925744	7	CLIP,
22	2115309	9	WASHER,
23	2975160	15	WASHER, LOCK,
24	4515668	2	WASHER,
26	56656	2	BOLT, Hex, M10 x 20, 8.8, Full Thd,
27	2975077	7	BOLT, Hex, M10 x 25, 8.8, Full Thd,
28	2981702	5	BOLT,
29	8403477	3	PIPE CLAMP,
30	2142046	2	
33	8475948	5	NUT, LOCK, M10 x 1.5, CI 8,
41	8912942	1	HOSE,
42	6555750	1	HOSE,
43	8912967	1	HOSE,
50	925895	3	CLIP,
51	725335	1	CLIP, HOSE,

0.003(02) RADIATOR

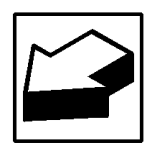
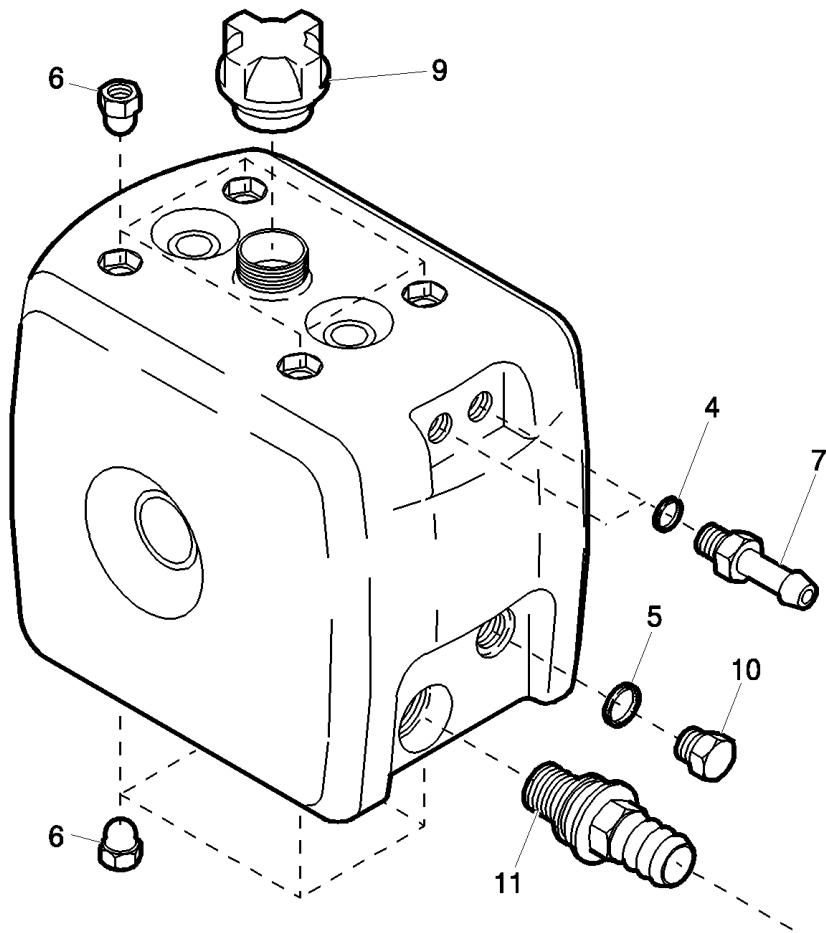
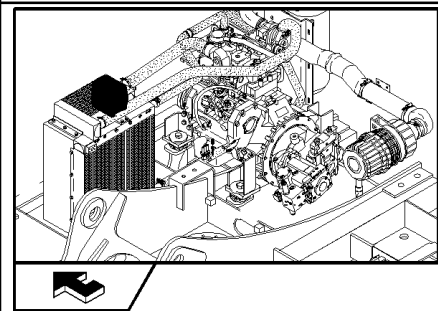


WX145 TIER 3 WHEELED EXCAVATOR (6/07-)

0.003(02) RADIATOR

Ref	Part Number	Qty	Description
2	6555560	1	, Includes 101 to 105
3	6559105	1	MOTOR, HYDRAULIC,
6	2900898	5	BUMPER,
11	1331028	2	SOCKET,
20	590826	1	PLATE, THRUST,
21	2975165	8	WASHER,
25	56653	4	BOLT, Hex, M8 x 35, 8.8,
32	68841	4	NUT, LOCK, M8 x 1.25, Cl 8,
33	8475948	6	NUT, LOCK, M10 x 1.5, Cl 8,
101	6555559	1	FAN,
105	8475948	6	NUT, LOCK, M10 x 1.5, Cl 8,
102	8920543	1	HUB,
103	2981701	12	WASHER,
104	2981702	6	BOLT,

0.003(03) RADIATOR - CONTAINER



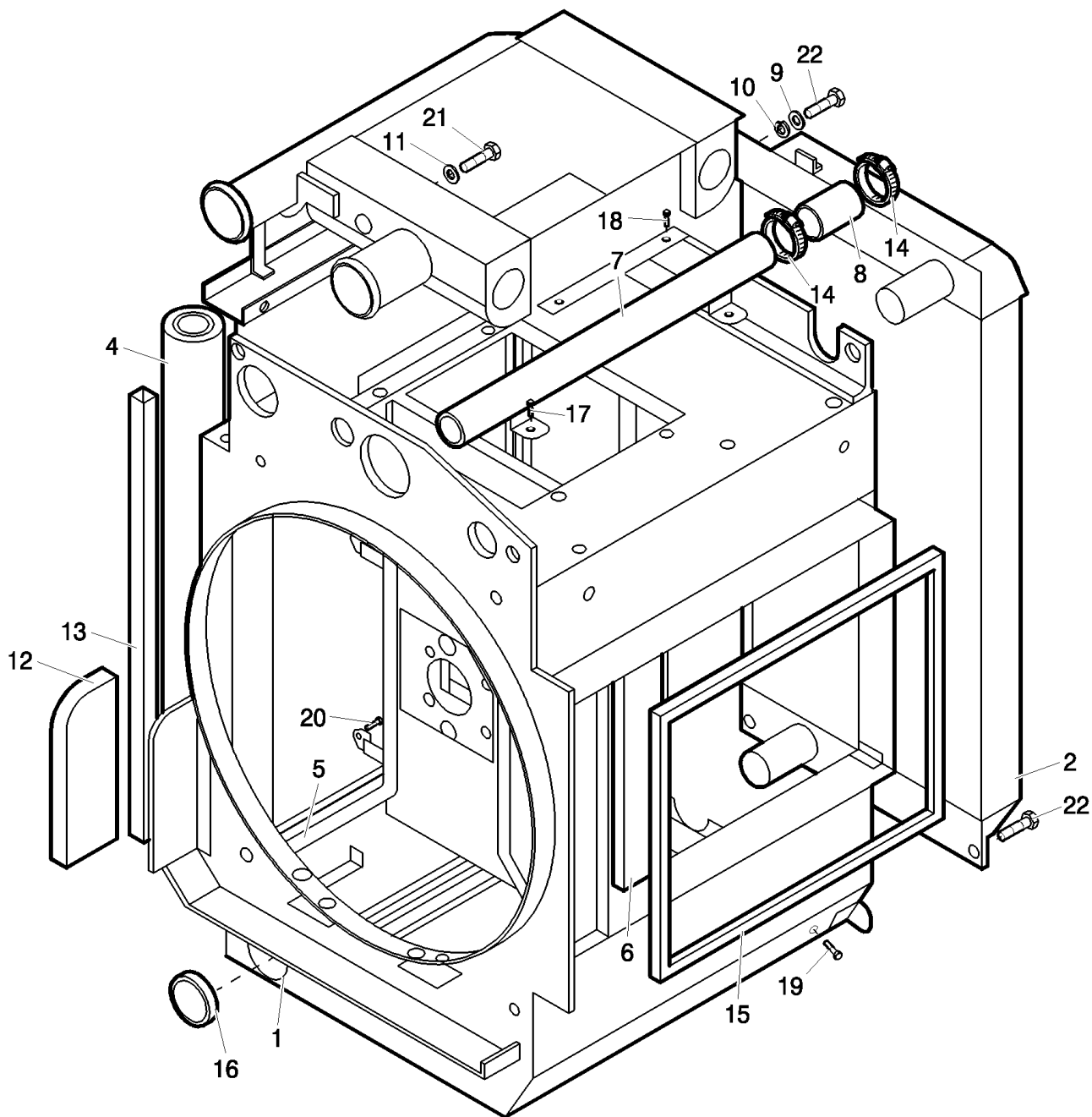
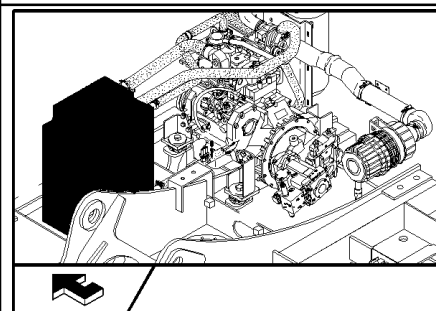
WX145 TIER 3 WHEELED EXCAVATOR (6/07-)

0.003(03) RADIATOR - CONTAINER

Ref	Part Number	Qty	Description
4	1499105	1	GASKET,
5	6900336	1	GASKET,
6	6900337	8	NUT,
7	1499108	2	NOZZLE,
9	1499109	1	STRAP,
10	750171	1	SCREW,
11	1499111	1	SOCKET,

CONTAINER ASSY P/N 8917898

0.003(04) RADIATOR - COMPONENTS



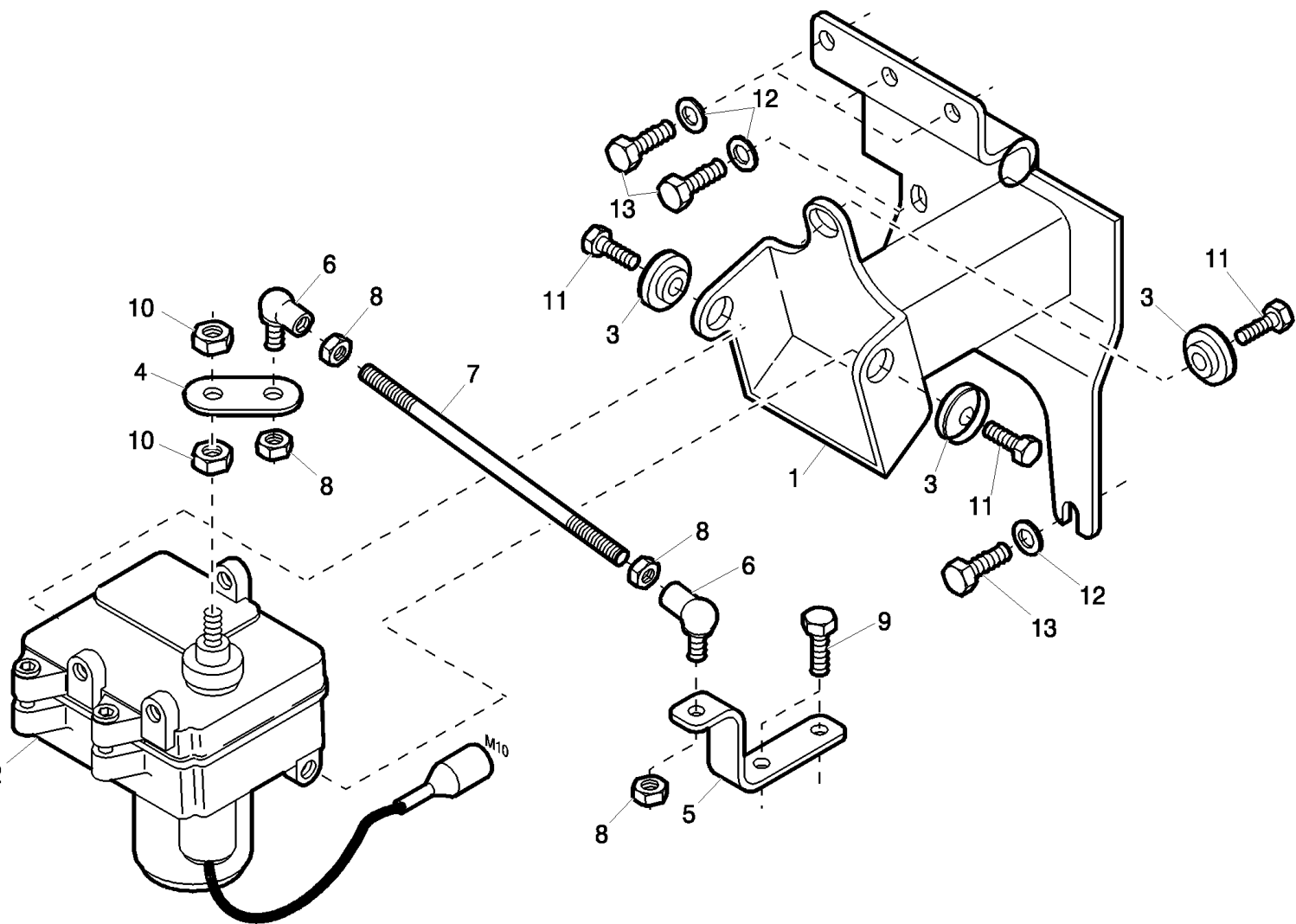
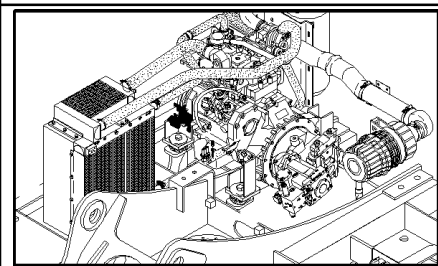
WX145 TIER 3 WHEELED EXCAVATOR (6/07-)

0.003(04) RADIATOR - COMPONENTS

Ref	Part Number	Qty	Description
1	6555554	1	BOX,
2	6555550	1	COOLER ASSY.,
4	6555552	1	COOLER, OIL,
5	6555558	1	HOLDER,
6	6555556	1	GRILLE, RADIATOR,
7	6555562	1	PIPE,
8	6555557	1	HOSE,
9	6555561	2	COLLAR CLAMP,
10	6555563	2	WASHER,
11	6555564	2	SPACER,
12	6555565	1	SEAL,
13	6555566	1	SEAL,
14	6555559	2	FAN,
15	6555567	1	WEATHERSTRIP,
16	6555569	1	PROTECTION,
17	54379	10	BOLT, Hex, M6 x 16, 8.8,
18	54399	4	BOLT, Hex, M8 x 16, 8.8,
19	57013	8	BOLT, Hex, M8 x 20, 8.8,
20	56656	4	BOLT, Hex, M10 x 20, 8.8, Full Thd,
21	2981702	2	BOLT,
22	56662	4	BOLT, Hex, M10 x 35, 8.8, Full Thd,

COMBINED COOLER WATER/OIL ASSY P/N 87593096

0.004(01) ACCELERATOR CONTROLS

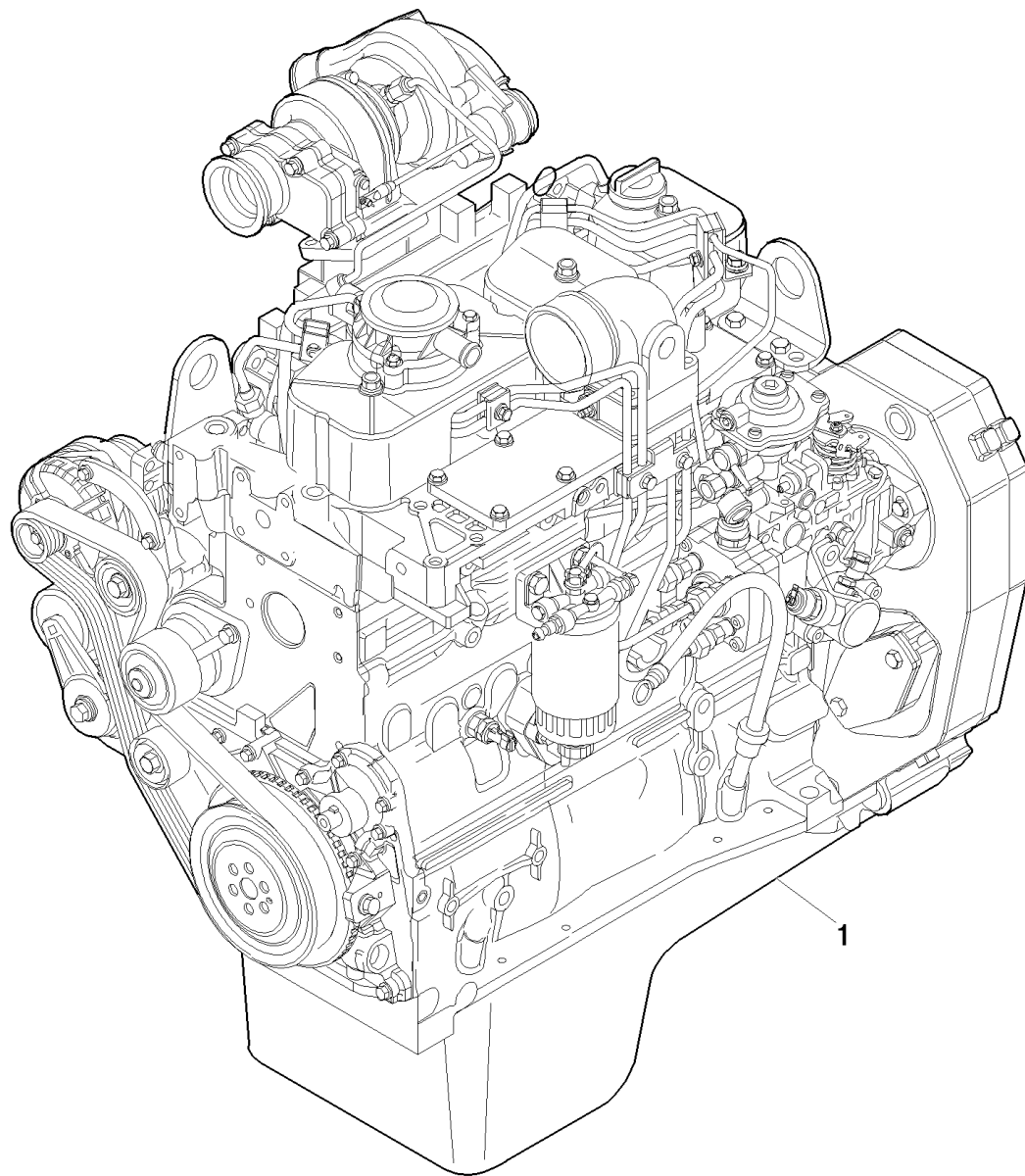
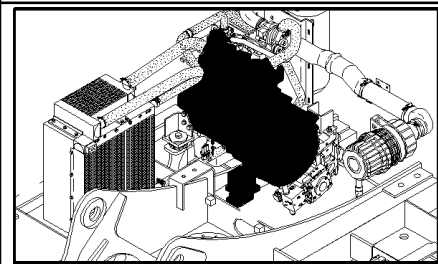


WX145 TIER 3 WHEELED EXCAVATOR (6/07-)

0.004(01) ACCELERATOR CONTROLS

Ref	Part Number	Qty	Description
1	8915414	1	MOUNTING PARTS,
2	1485420	1	CONTROL,
3	8914321	3	DAMPER,
4	8914326	1	LEVER,
5	8914898	1	CLIP,
6	118541	2	JOINT, UNIVERSAL,
7	8915443	1	ROD,
8	353308	4	NUT, LOCK, M6 x 1, CI 8,
9	54383	2	BOLT, Hex, M6 x 20, 8.8,
10	945995	2	NUT, Thin, M8 x 1, CI 04,
11	55064	3	BOLT, Hex, M6 x 30, 8.8,
12	57111	5	WASHER,
13	54405	5	BOLT, Hex, M8 x 25, 8.8,

0.021(01) ENGINE



BUY NOW

**Then Instant Download
the Complete Manual
Thank you very much!**