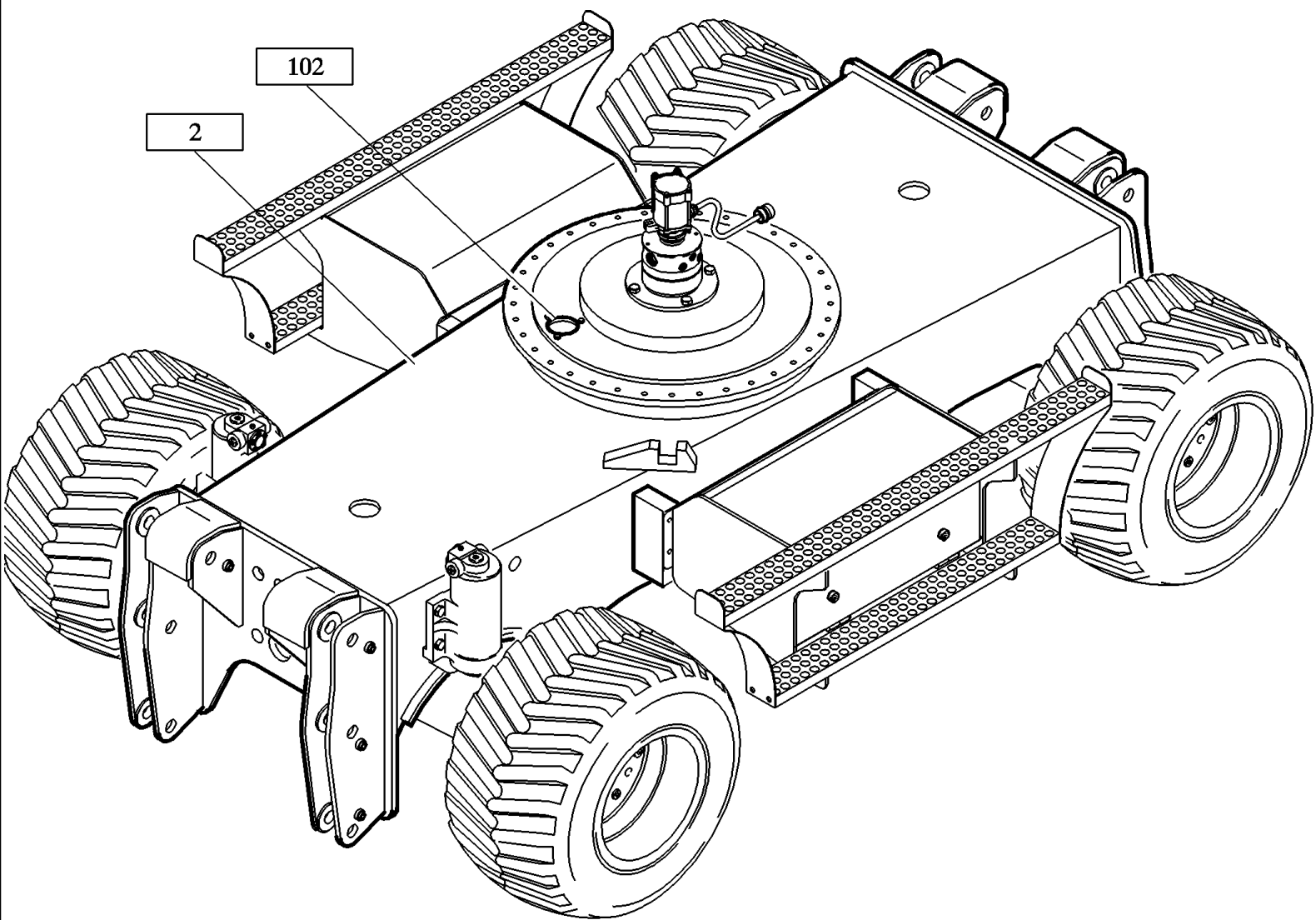




PARTS CATALOGUE

WHEEL EXCAVATOR
WX145

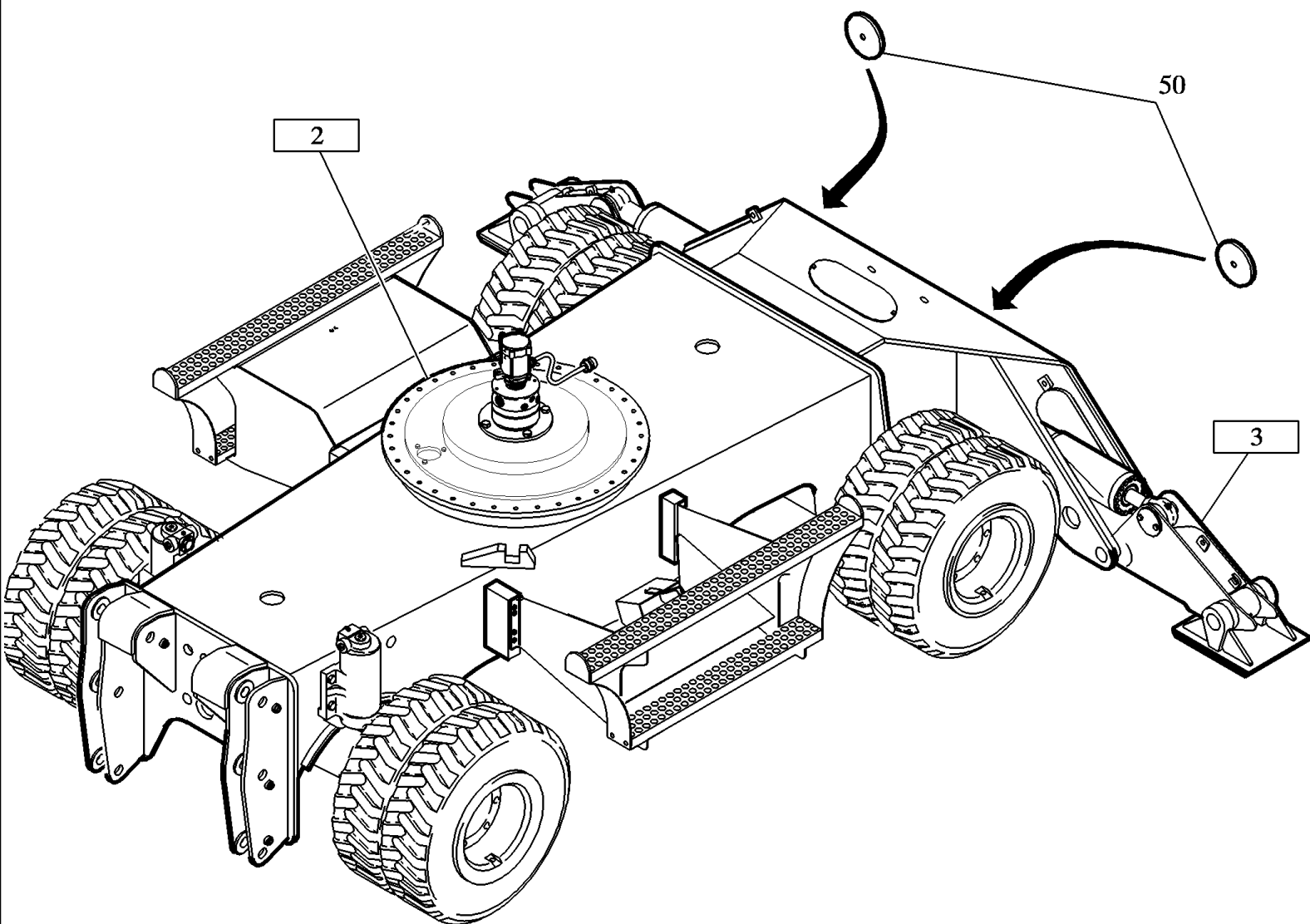


WX145 WHEELED EXCAVATOR (5/04-)

00.200(2988620000) LOWER CARRIAGE EXCAVATOR

Ref	Part Number	Qty	Description
2	NS	1	FRAME LOWER CARRIAGE WITH MOUNT. PARTS SEE FIGURE 01.200/2988268000
102	NS	1	FRAME LOWER CARRIAGE WITH MOUNT. PARTS SEE FIGURE 01.200/2945866000
990	8919654		AR LOWER CARRIAGE

2992642

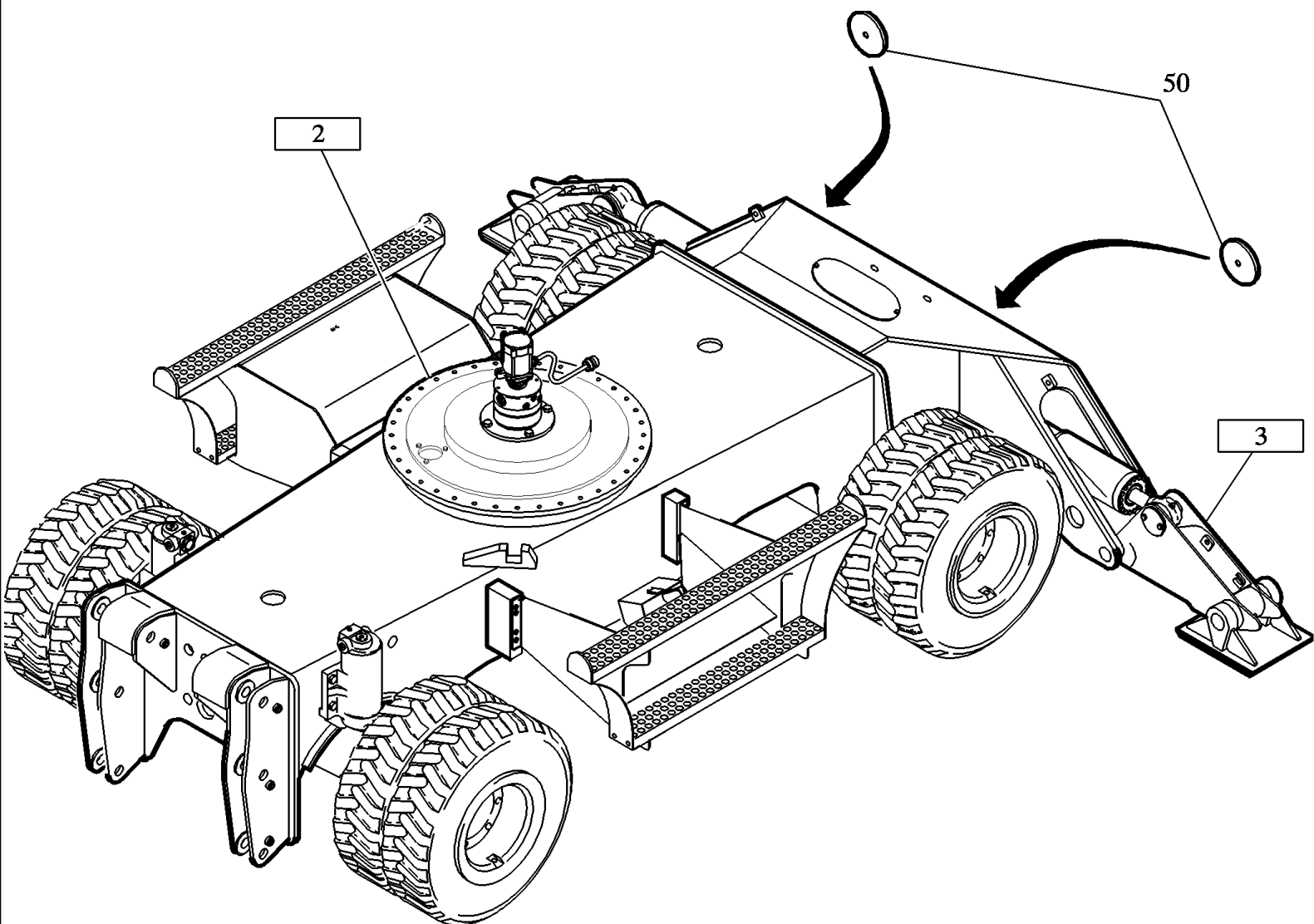


WX145 WHEELED EXCAVATOR (5/04-)

00.200(2990469000) LOWER CARRIAGE EXCAVATOR

Ref	Part Number	Qty	Description
2	NS	1	FRAME LOWER CARRIAGE WITH MOUNT. PARTS SEE FIGURE 01.200/2988268000
3	NS	1	SUPPORT SEE FIGURE 04.012/2987492002
50	2900948	2	CATSEYE
990	8921361	AR	LOWER CARRIAGE

2992642

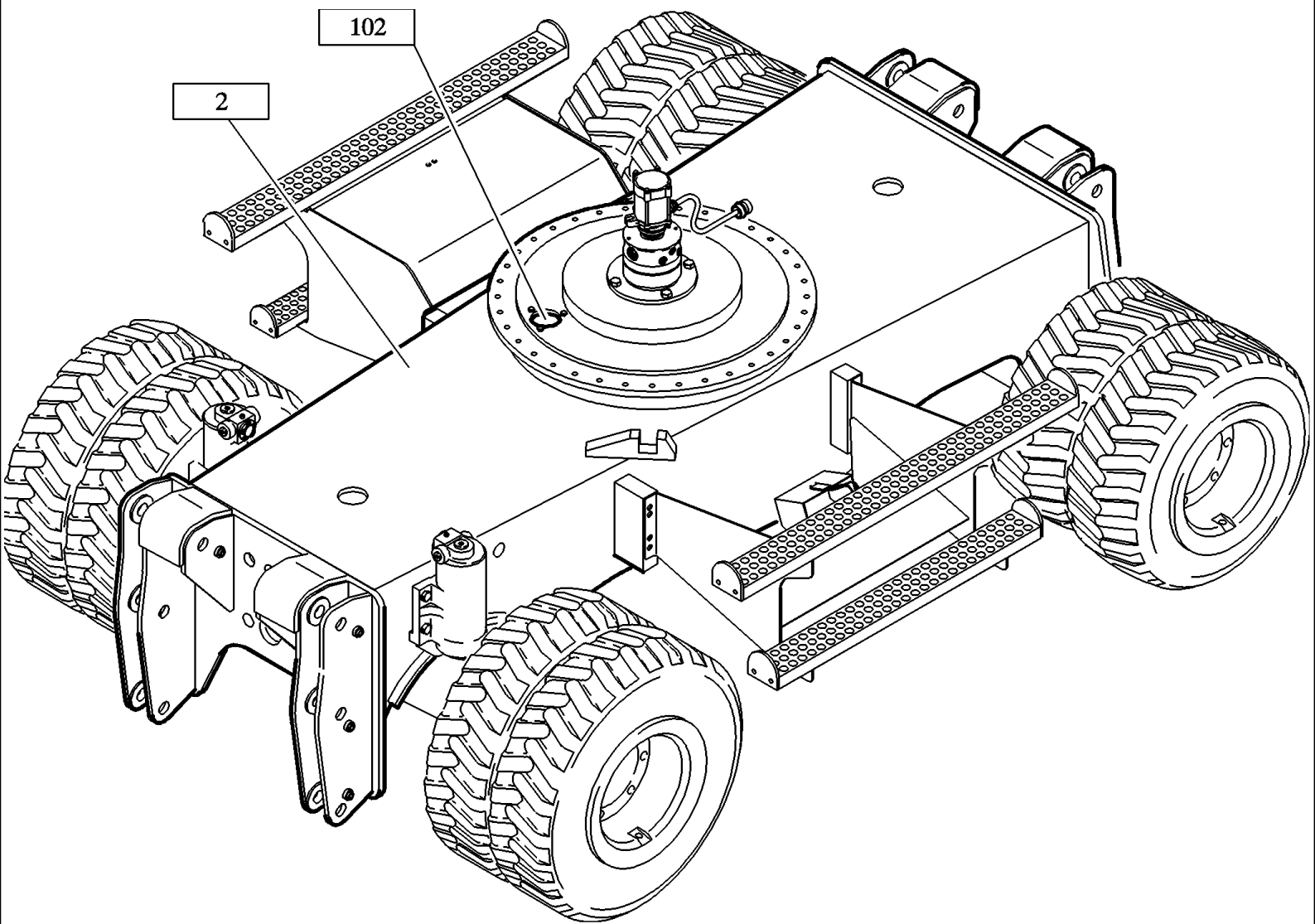


WX145 WHEELED EXCAVATOR (5/04-)

00.200(2991322000) LOWER CARRIAGE EXCAVATOR

Ref	Part Number	Qty	Description
2	NS	1	FRAME LOWER CARRIAGE WITH MOUNT. PARTS SEE FIGURE 01.200/2991291000
3	NS	1	SUPPORT SEE FIGURE 04.012/2987492002
50	2900948	2	CATSEYE
990	8923210	AR	LOWER CARRIAGE

2992642

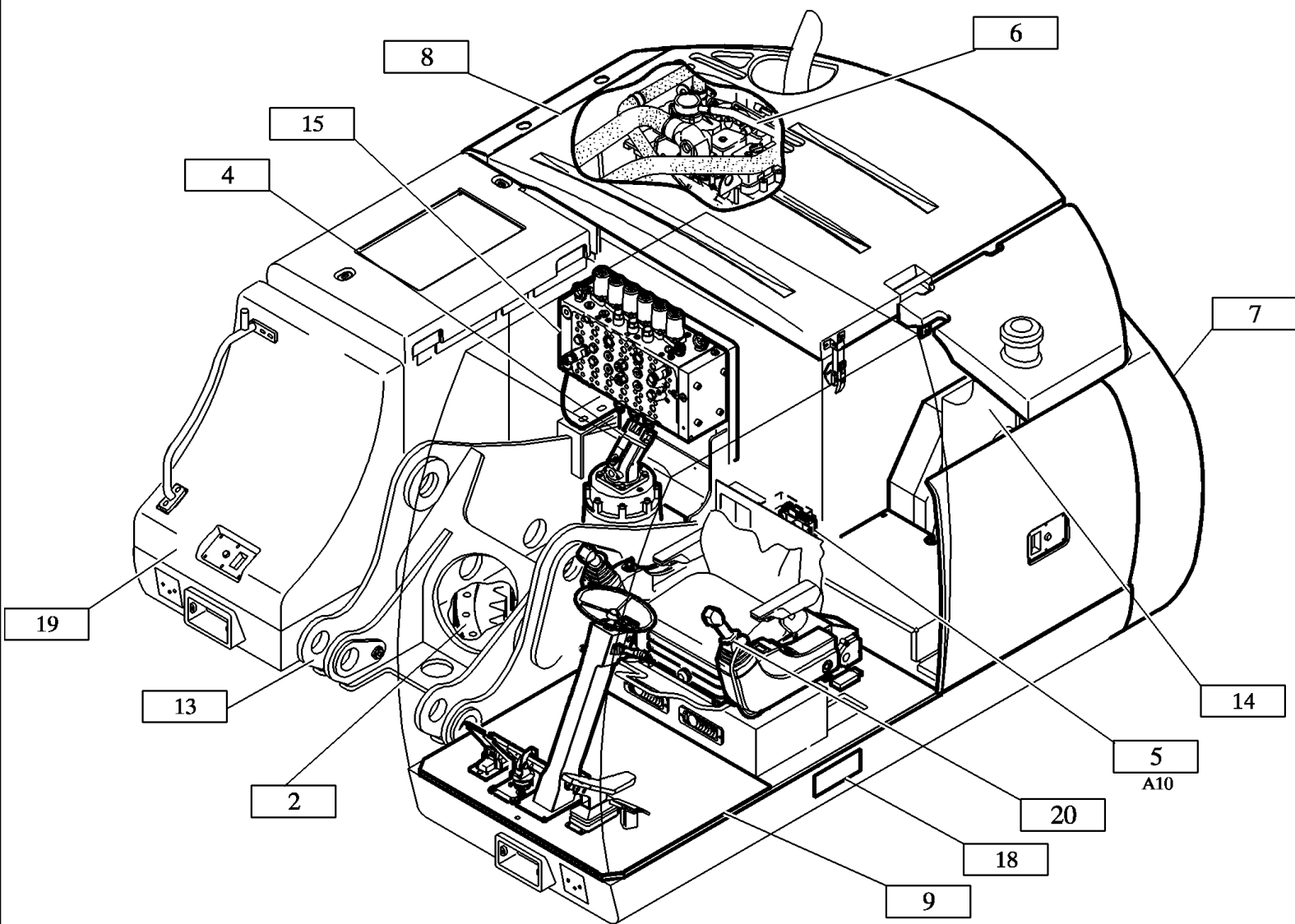


WX145 WHEELED EXCAVATOR (5/04-)

00.200(2991623000) LOWER CARRIAGE EXCAVATOR

Ref	Part Number	Qty	Description
2	NS	1	FRAME LOWER CARRIAGE WITH MOUNT. PARTS SEE FIGURE 01.200/2991291000
102	NS	1	FRAME LOWER CARRIAGE WITH MOUNT. PARTS SEE FIGURE 01.200/2945866000
990	8922590		AR LOWER CARRIAGE

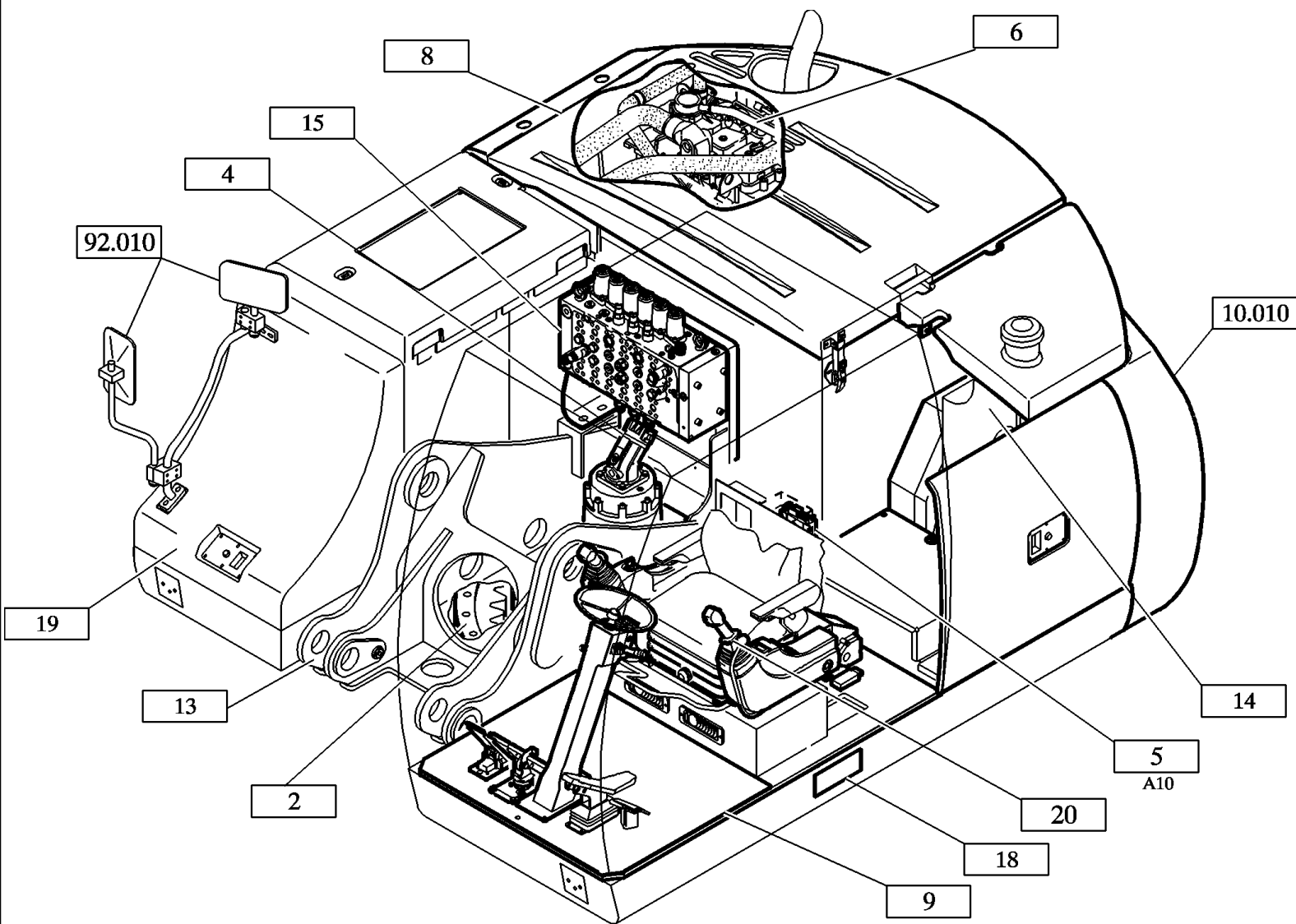
2992642



WX145 WHEELED EXCAVATOR (5/04-)

00.300(2988614000) UPPER CARRIAGE EXCAVATOR`

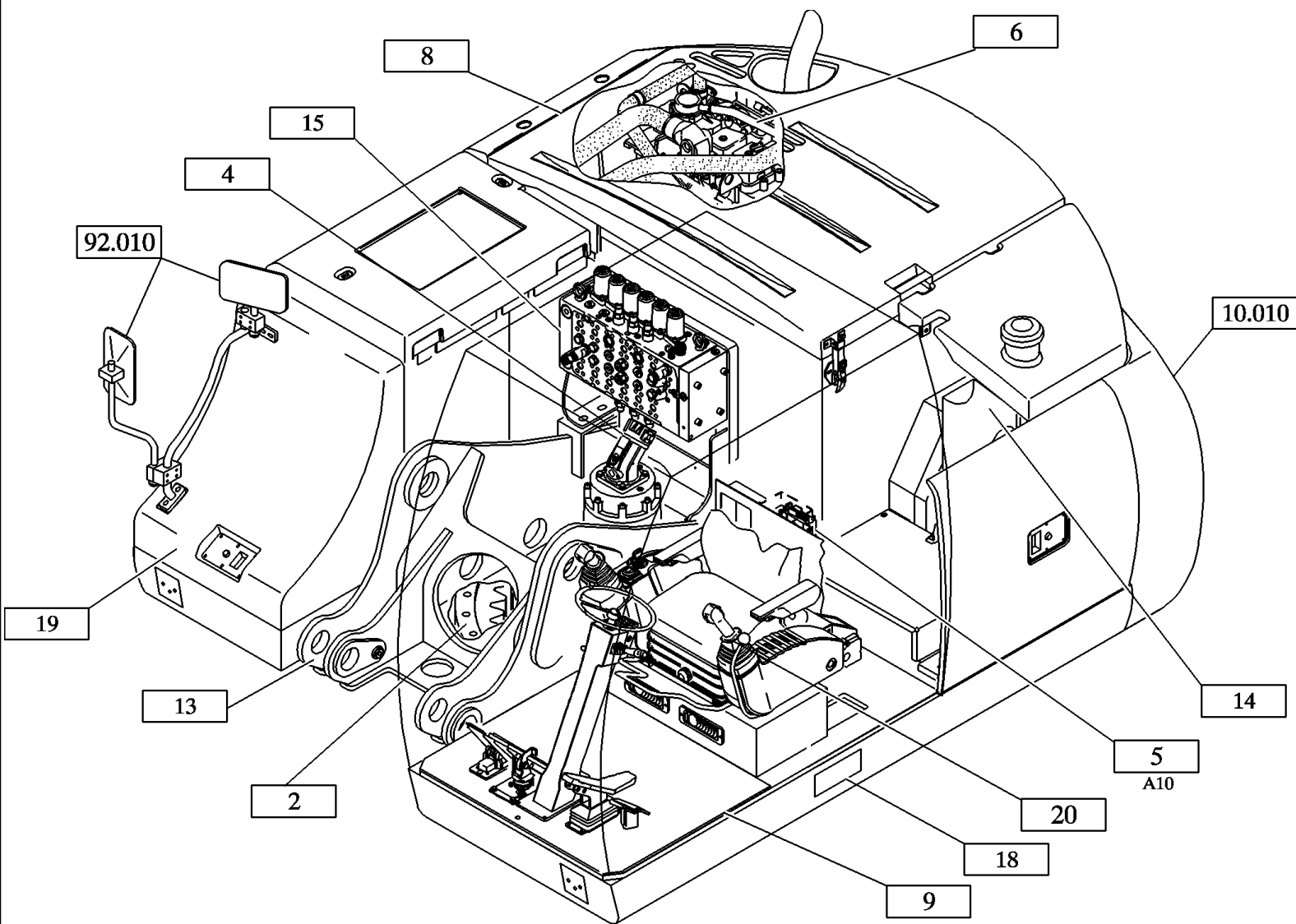
Ref	Part Number	Qty	Description
2	NS	1	SWIVEL CONNECTION UPPER CARRIAGE SEE FIGURE 11.012/2946592002
4	NS	1	SLEWING GEAR INSTALL.MATERIAL SEE FIGURE 16.030/2988437000
5	NS	1	CENTRAL ELECTRONIC INSTALL.MATERIAL SEE FIGURE 32.150/2988247000
6	NS	1	MOTOR INSTALL.MATERIAL SEE FIGURE 13.010/2988495000
7	NS	1	CONTAINER INSTALL.MATERIAL SEE FIGURE 10.010/2988531000
8	NS	1	PANELING COMPLETE SEE FIGURE 36.005/2990562000
9	NS	1	CAB MODULE INSTALL.MATERIAL SEE FIGURE 34.010/2990542000
13	NS	1	FRAME UPPER CARRIAGE WITH MOUNT. PARTS SEE FIGURE 01.300/2988537000
14	NS	1	FUEL TANK INSTALL.MATERIAL SEE FIGURE 10.200/2988498000
15	NS	1	HYDRAULIC SYSTEM UPPER CARRIAGE SEE FIGURE 20.030/2988584000
18	NS	1	DECAL KIT SEE FIGURE 91.010/2988815000
19	NS	1	TOOL SET SEE FIGURE 92.010/007
20	NS	1	ELECTRICAL SYSTEM BASIC MACHINE COMPLETE SEE FIGURE 32.010/007
990	3031880	AR	UPPER CARRIAGE



WX145 WHEELED EXCAVATOR (5/04-)

00.300(2991237000) UPPER CARRIAGE EXCAVATOR`

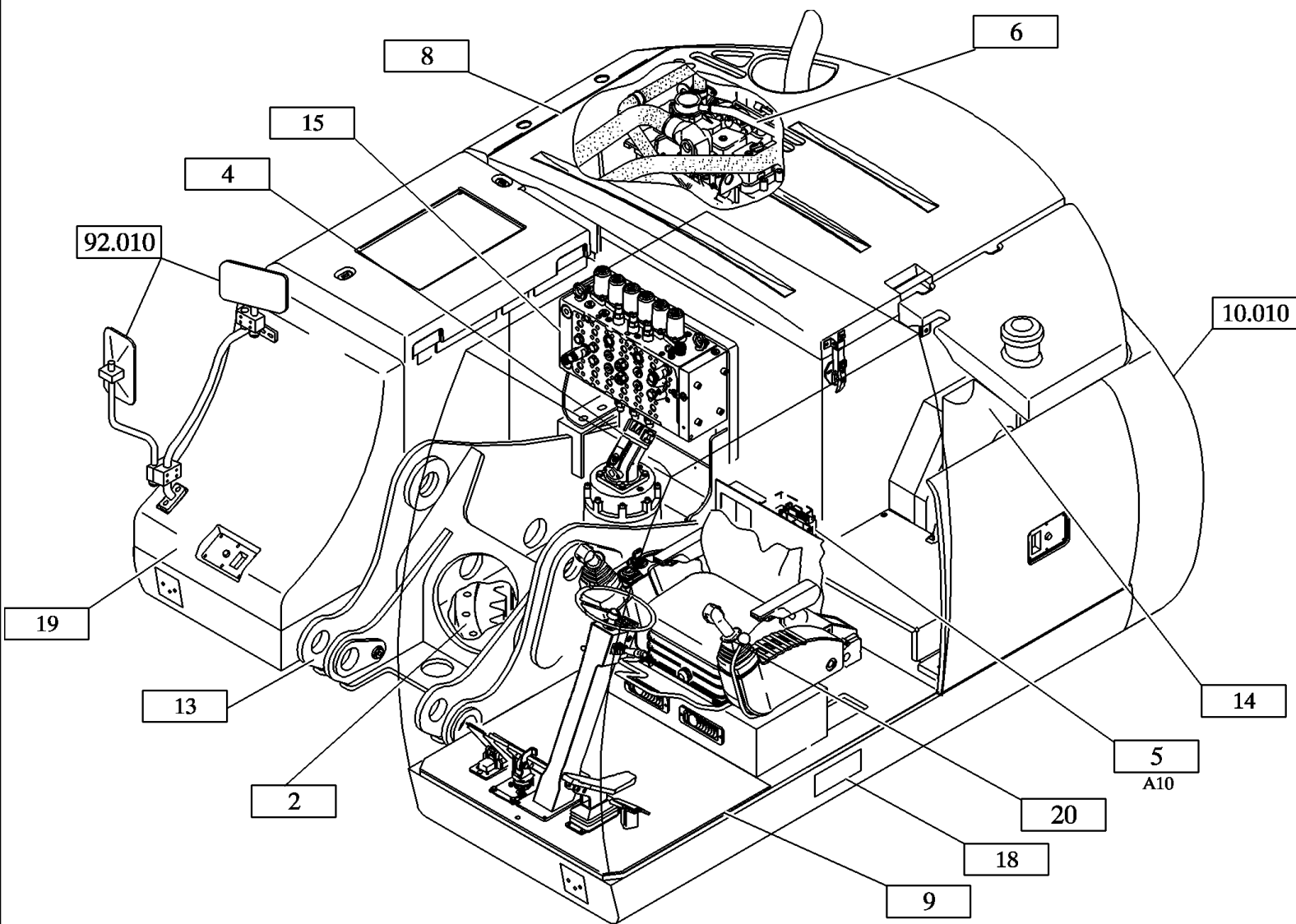
Ref	Part Number	Qty	Description
2	NS	1	SWIVEL CONNECTION UPPER CARRIAGE SEE FIGURE 11.012/2946592002
4	NS	1	SLEWING GEAR INSTALL.MATERIAL SEE FIGURE 16.030/2988437000
5	NS	1	CENTRAL ELECTRONIC INSTALL.MATERIAL SEE FIGURE 32.150/2988247000
6	NS	1	MOTOR INSTALL.MATERIAL SEE FIGURE 13.010/2988495000
8	NS	1	PANELING COMPLETE SEE FIGURE 36.005/2991236000
9	NS	1	CAB MODULE INSTALL.MATERIAL SEE FIGURE 34.010/2991661000
13	NS	1	FRAME UPPER CARRIAGE WITH MOUNT. PARTS SEE FIGURE 01.300/2988537000
14	NS	1	FUEL TANK INSTALL.MATERIAL SEE FIGURE 10.200/2988498000
15	NS	1	HYDRAULIC SYSTEM UPPER CARRIAGE SEE FIGURE 20.030/2988584000
18	NS	1	DECAL KIT SEE FIGURE 91.010/2988815000
19	NS	1	TOOL SET SEE FIGURE 92.010/007
20	NS	1	ELECTRICAL SYSTEM BASIC MACHINE COMPLETE SEE FIGURE 32.010/007
990	3031884	AR	UPPER CARRIAGE



WX145 WHEELED EXCAVATOR (5/04-)

00.300(2991662000) UPPER CARRIAGE EXCAVATOR`

Ref	Part Number	Qty	Description
2	NS	1	SWIVEL CONNECTION UPPER CARRIAGE SEE FIGURE 11.012/2946592002
4	NS	1	SLEWING GEAR INSTALL.MATERIAL SEE FIGURE 16.030/2988437000
5	NS	1	CENTRAL ELECTRONIC INSTALL.MATERIAL SEE FIGURE 32.150/2988247000
6	NS	1	MOTOR INSTALL.MATERIAL SEE FIGURE 13.010/2991659000
8	NS	1	PANELING COMPLETE SEE FIGURE 36.005/009
9	NS	1	CAB MODULE INSTALL.MATERIAL SEE FIGURE 34.010/009
13	NS	1	FRAME UPPER CARRIAGE WITH MOUNT. PARTS SEE FIGURE 01.300/2988537000
14	NS	1	FUEL TANK INSTALL.MATERIAL SEE FIGURE 10.200/2988498000
15	NS	1	HYDRAULIC SYSTEM UPPER CARRIAGE SEE FIGURE 20.030/2988584000
18	NS	1	DECAL KIT SEE FIGURE 91.010/2988815000
19	NS	1	TOOL SET SEE FIGURE 92.010/007
20	NS	1	ELECTRICAL SYSTEM BASIC MACHINE COMPLETE SEE FIGURE 32.010/007
990	3031894	AR	UPPER CARRIAGE

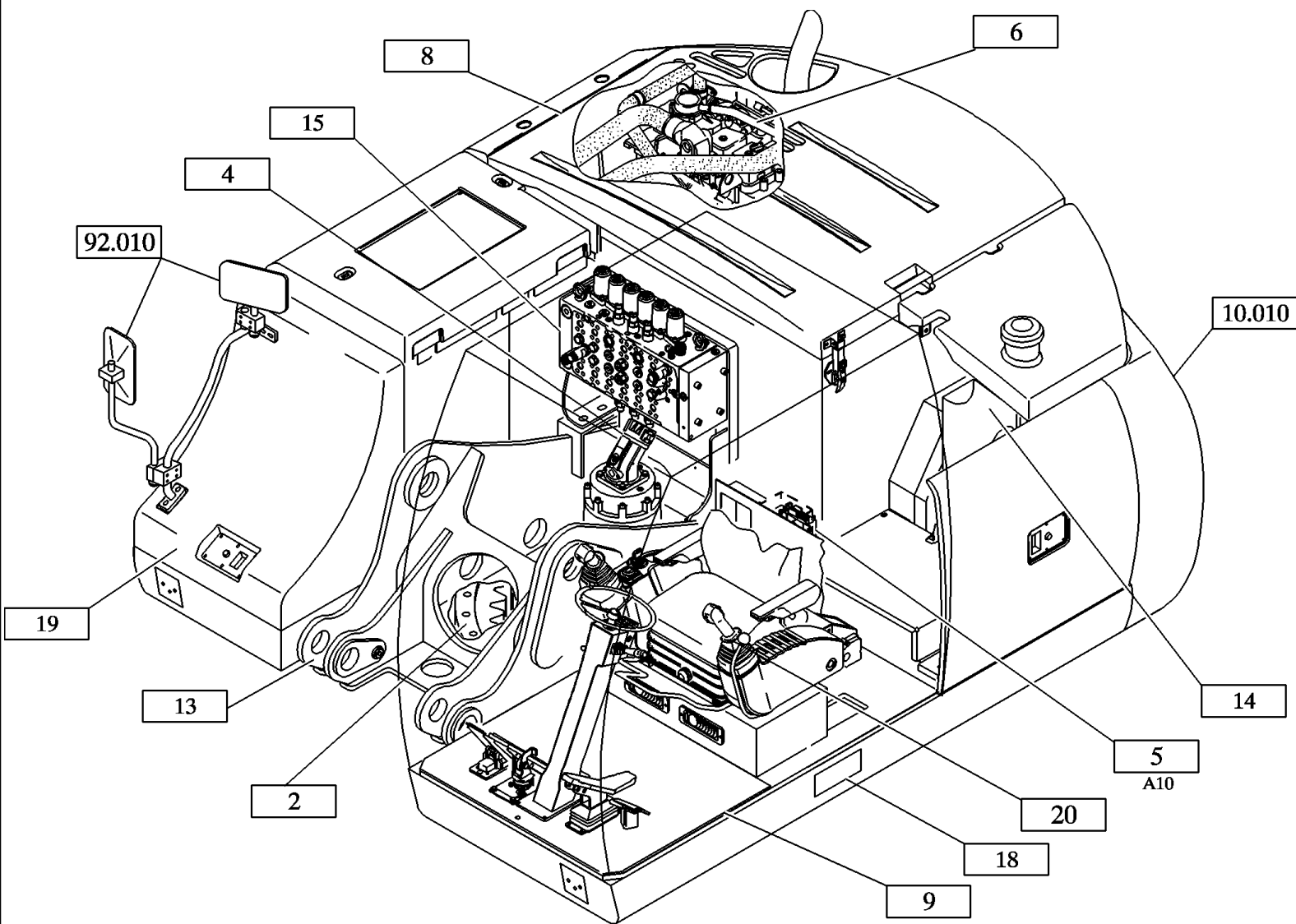


WX145 WHEELED EXCAVATOR (5/04-)

00.300(6551800000) UPPER CARRIAGE EXCAVATOR`

Ref	Part Number	Qty	Description
2	NS	1	SWIVEL CONNECTION UPPER CARRIAGE SEE FIGURE 11.012/2946592002
4	NS	1	SLEWING GEAR INSTALL.MATERIAL SEE FIGURE 16.030/2988437000
5	NS	1	CENTRAL ELECTRONIC INSTALL.MATERIAL SEE FIGURE 32.150/2991639000
6	NS	1	MOTOR INSTALL.MATERIAL SEE FIGURE 13.010/6553114000
8	NS	1	PANELING COMPLETE SEE FIGURE 36.005/2991236000
9	NS	1	CAB MODULE INSTALL.MATERIAL SEE FIGURE 34.010/2991661
13	NS	1	FRAME UPPER CARRIAGE WITH MOUNT. PARTS SEE FIGURE 01.300/2988537000
14	NS	1	FUEL TANK INSTALL.MATERIAL SEE FIGURE 10.200/2988498000
15	NS	1	HYDRAULIC SYSTEM UPPER CARRIAGE SEE FIGURE 20.030/2988584000
18	NS	1	DECAL KIT SEE FIGURE 91.010/2988613000
19	NS	1	TOOL SET SEE FIGURE 92.010/2985544000
20	NS	1	ELECTRICAL SYSTEM BASIC MACHINE COMPLETE SEE FIGURE 32.010/2987424000

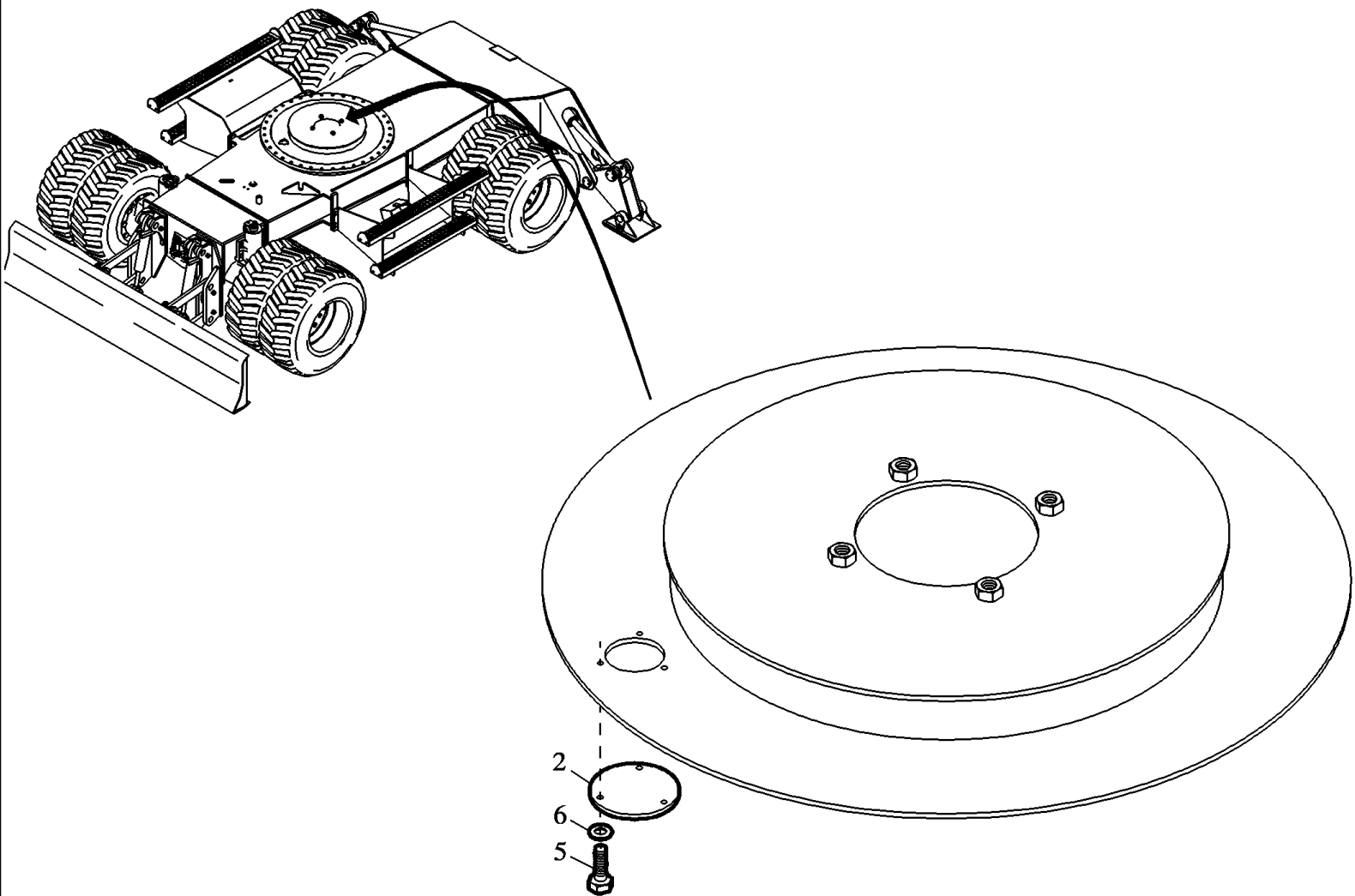
15078 00 00



WX145 WHEELED EXCAVATOR (5/04-)

00.300(6553113000) UPPER CARRIAGE EXCAVATOR`

Ref	Part Number	Qty	Description
2	NS	1	SWIVEL CONNECTION UPPER CARRIAGE SEE FIGURE 11.012/2946592002
4	NS	1	SLEWING GEAR INSTALL.MATERIAL SEE FIGURE 16.030/2988437000
5	NS	1	CENTRAL ELECTRONIC INSTALL.MATERIAL SEE FIGURE 32.150/2991639000
6	NS	1	MOTOR INSTALL.MATERIAL SEE FIGURE 13.010/6553114000
8	NS	1	PANELING COMPLETE SEE FIGURE 36.005/2991236000
9	NS	1	CAB MODULE INSTALL.MATERIAL SEE FIGURE 34.010/2991661
13	NS	1	FRAME UPPER CARRIAGE WITH MOUNT. PARTS SEE FIGURE 01.300/2988537000
14	NS	1	FUEL TANK INSTALL.MATERIAL SEE FIGURE 10.200/2988498000
15	NS	1	HYDRAULIC SYSTEM UPPER CARRIAGE SEE FIGURE 20.030/2988584000
18	NS	1	DECAL KIT SEE FIGURE 91.010/2988613000
19	NS	1	TOOL SET SEE FIGURE 92.010/2985544000
20	NS	1	ELECTRICAL SYSTEM BASIC MACHINE COMPLETE SEE FIGURE 32.010/2987424000

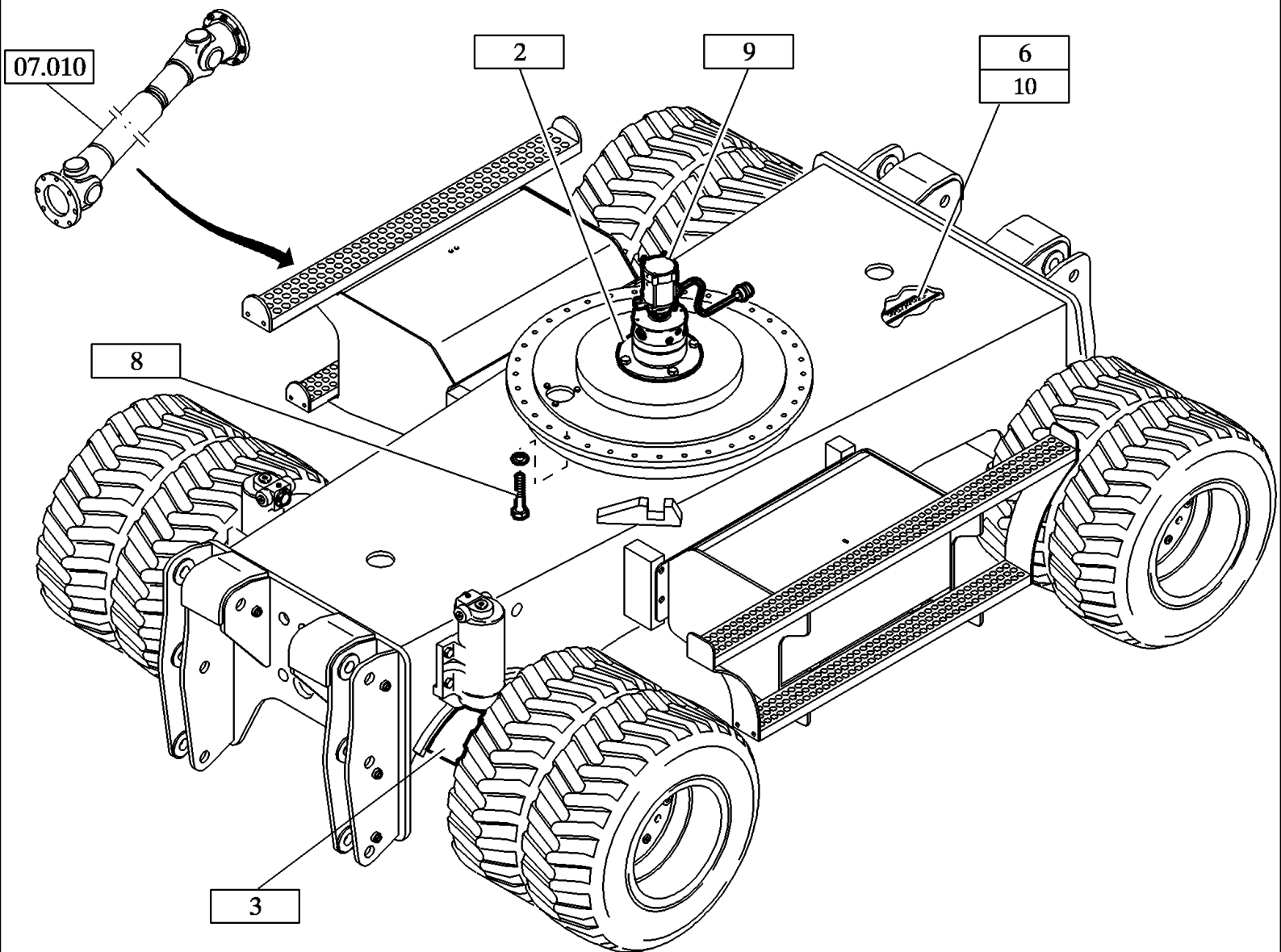


WX145 WHEELED EXCAVATOR (5/04-)

01.200(2945866000) FRAME LOWER CARRIAGE WITH MOUNT. PARTS

Ref	Part Number	Qty	Description
2	3030213	1	LID
5	421109A1	3	HEXAGON BOLT
6	2979225	3	DISK/WASHER
990	3030208	AR	BRACKET

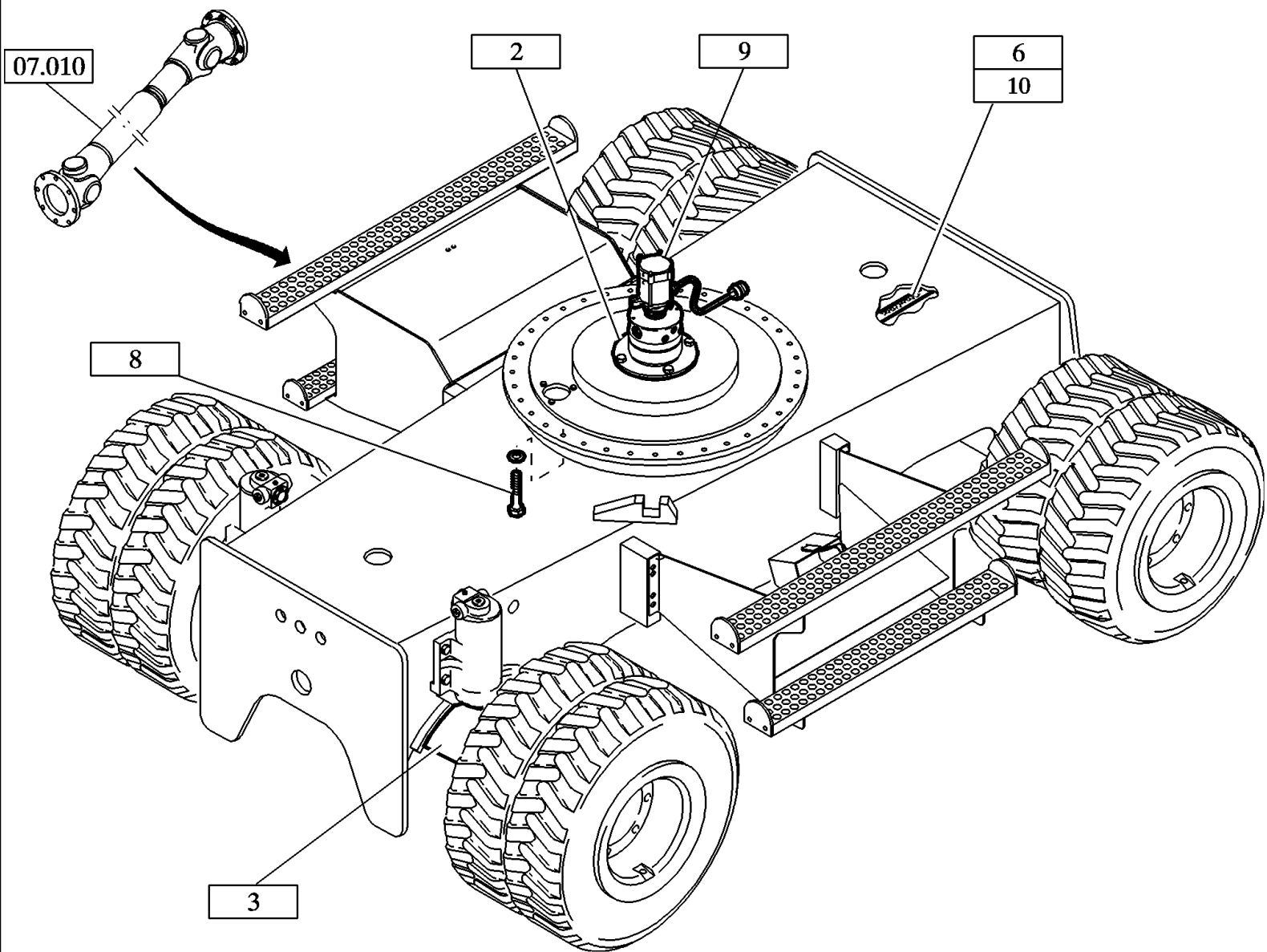
2992642



WX145 WHEELED EXCAVATOR (5/04-)

01.200(2988268000) FRAME LOWER CARRIAGE WITH MOUNT. PARTS

Ref	Part Number	Qty	Description
2	NS	1	ROTOR INSTALL.MATERIAL SEE FIGURE 22.500/2986576000
3	NS	1	STEERING AXLE INSTALL.MATERIAL SEE FIGURE 02.010/2988266000
6	NS	1	HYDRAULIC SYSTEM LOWER CARRIAGE SEE FIGURE 20.020/2986456001
8	NS	1	SWIVEL CONNECTION INSTALL.MATERIAL LOWER CARRIAGE SEE FIGURE 11.010/2984469000
9	NS	1	SLIPRING UNIT INSTALL.MATERIAL SEE FIGURE 33.010/2985299000
10	NS	1	CABLE HARNESS LOWER CARRIAGE SERIE SEE FIGURE 32.123/2985012001
990	8919652		AR BASIC MACHINE

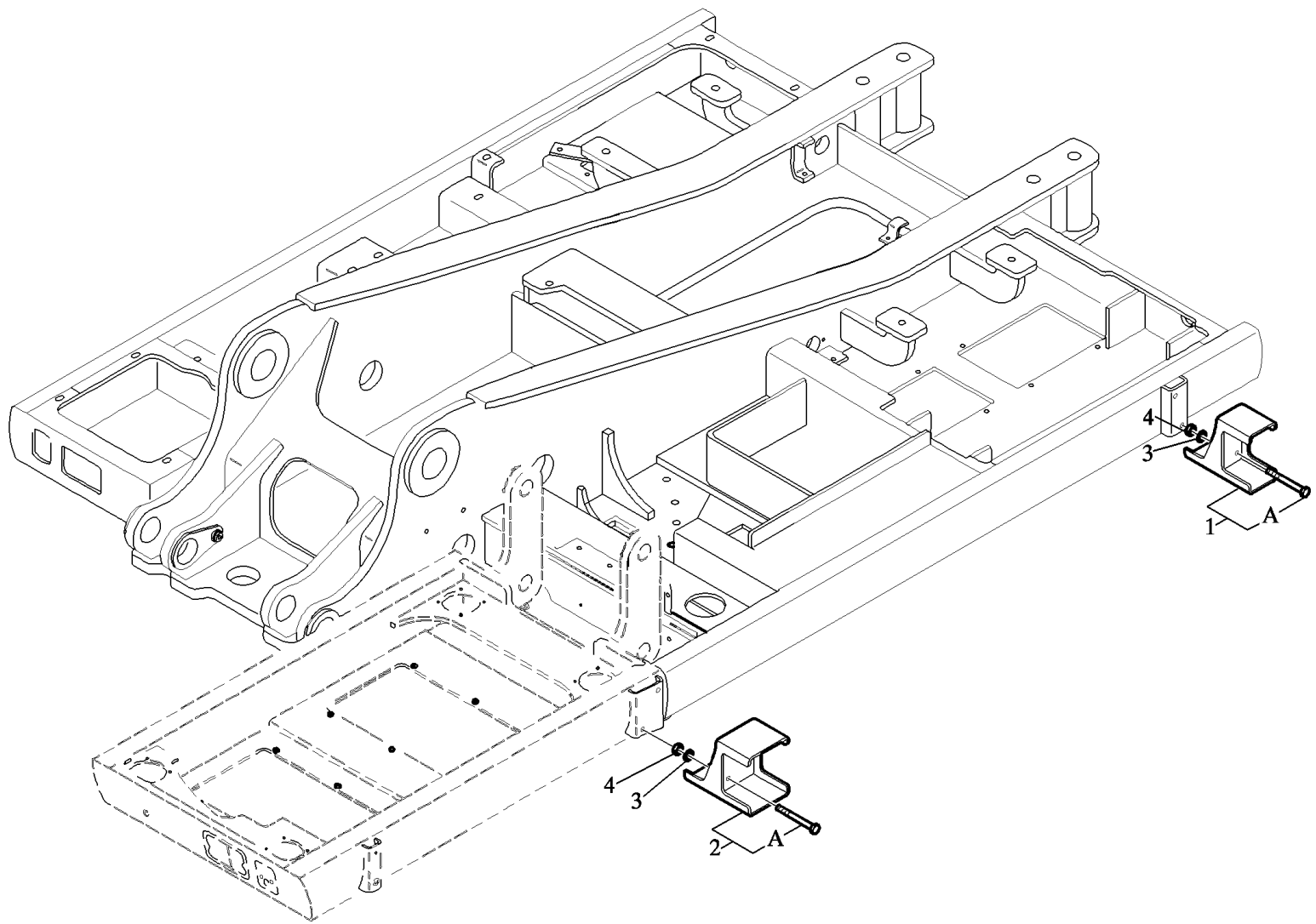


WX145 WHEELED EXCAVATOR (5/04-)

01.200(2991291000) FRAME LOWER CARRIAGE WITH MOUNT. PARTS

Ref	Part Number	Qty	Description
2	NS	1	ROTOR INSTALL.MATERIAL SEE FIGURE 22.500/2984459000
3	NS	1	STEERING AXLE INSTALL.MATERIAL SEE FIGURE 02.010/2991288001
6	NS	1	HYDRAULIC SYSTEM LOWER CARRIAGE SEE FIGURE 20.020/2991289000
8	NS	1	SWIVEL CONNECTION INSTALL.MATERIAL LOWER CARRIAGE SEE FIGURE 11.010/2984469000
9	NS	1	SLIPRING UNIT INSTALL.MATERIAL SEE FIGURE 33.010/2985299000
10	NS	1	CABLE HARNESS LOWER CARRIAGE SERIE SEE FIGURE 32.123/2985012001
990	8922559		AR BASIC MACHINE

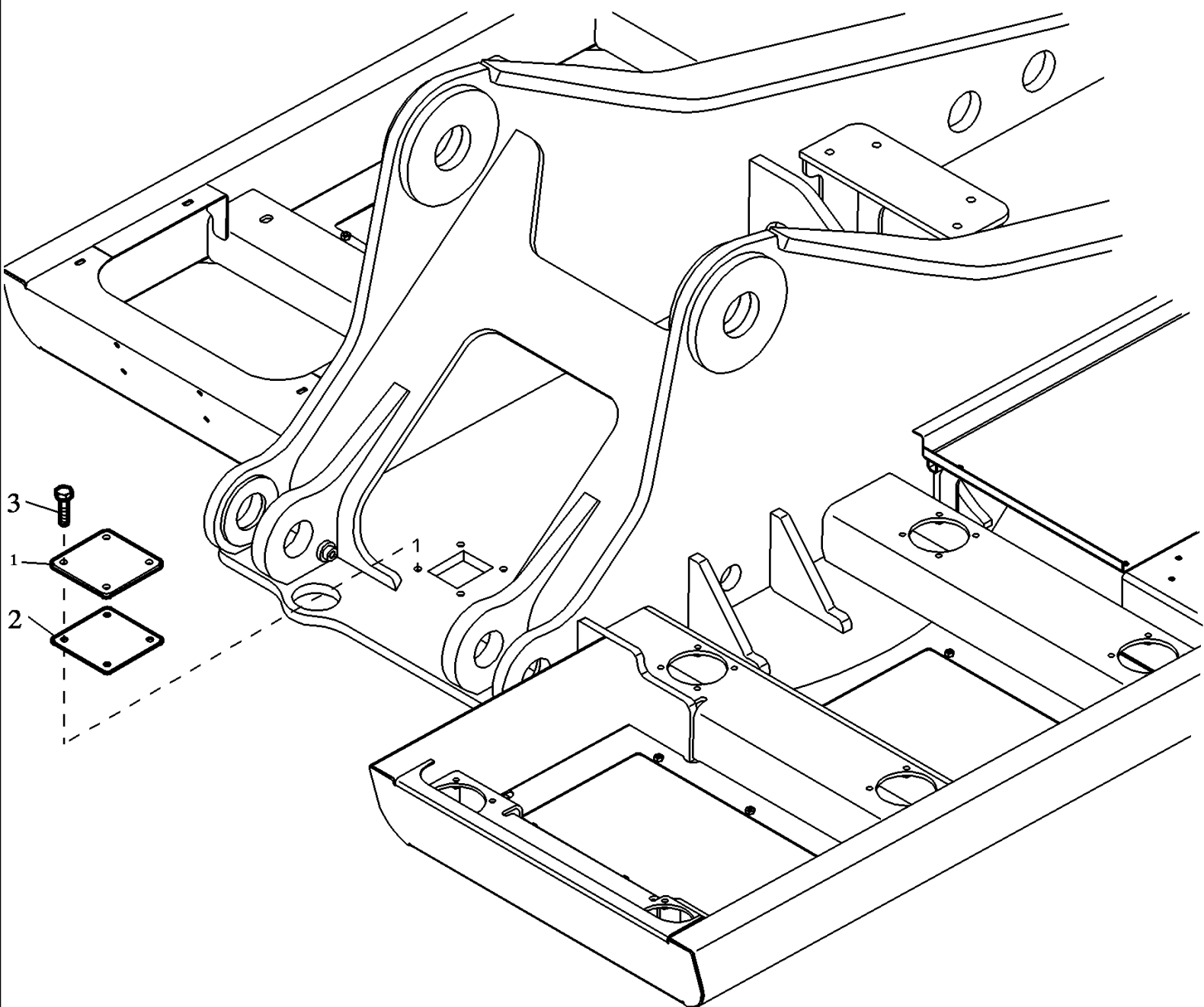
2992642



WX145 WHEELED EXCAVATOR (5/04-)

01.300(01) FRAME UPPER CARRIAGE WITH MOUNT. PARTS OPERATORS CAB

Ref	Part Number	Qty	Description
1	6551919	2	
1A	925495	4	
2	6551913	2	
2A	924595	4	
3	57111	8	
4	57126	8	
900	6552003	AR	
990	6552002	AR	

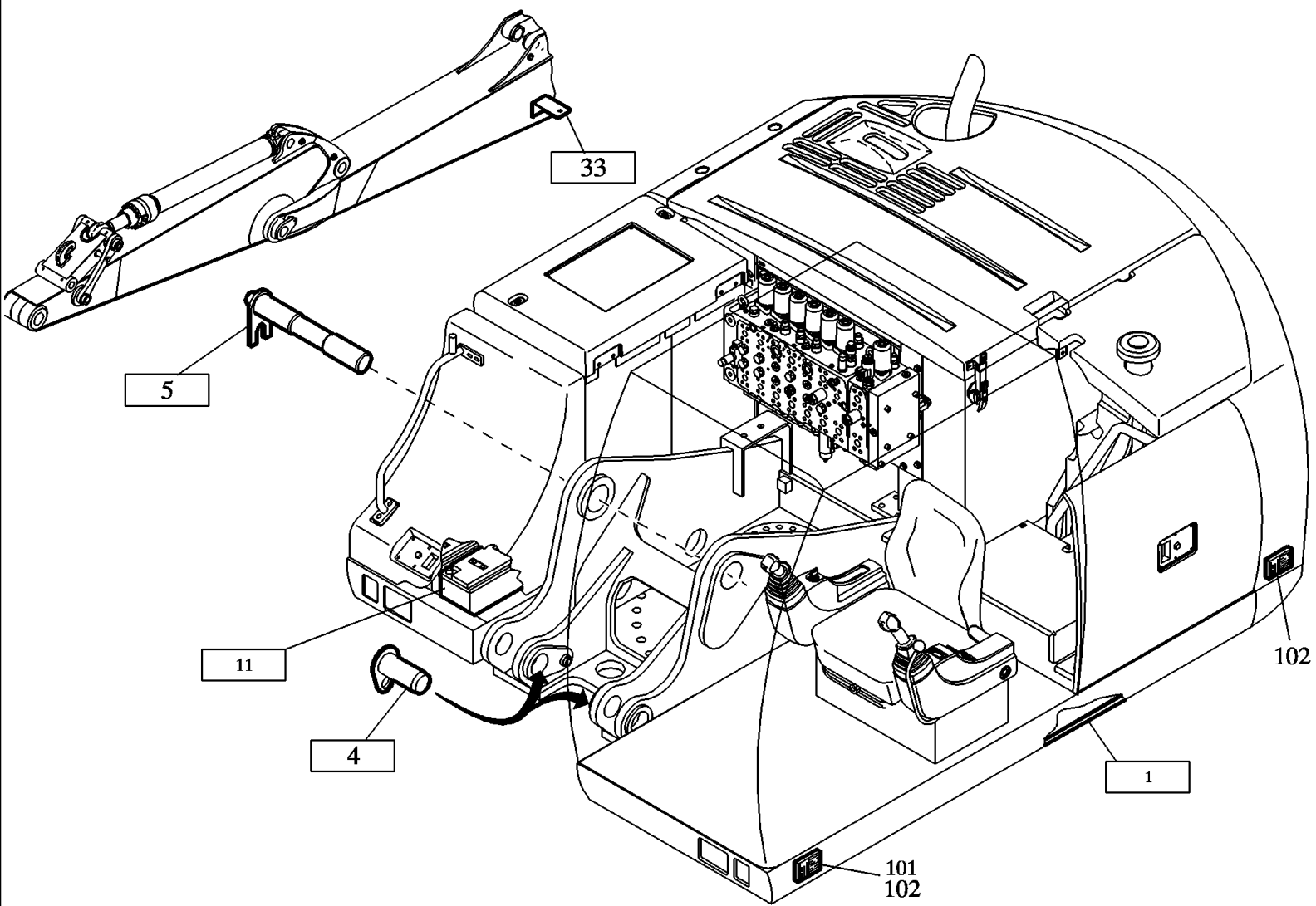


WX145 WHEELED EXCAVATOR (5/04-)

01.300(2944127000) FRAME UPPER CARRIAGE WITH MOUNT. PARTS

Ref	Part Number	Qty	Description
1	8902430	1	LID
2	8912589	1	GASKET
3	2975773	4	HEXAGON BOLT
990	8902433	AR	SWIVEL CONNECTION

2992642

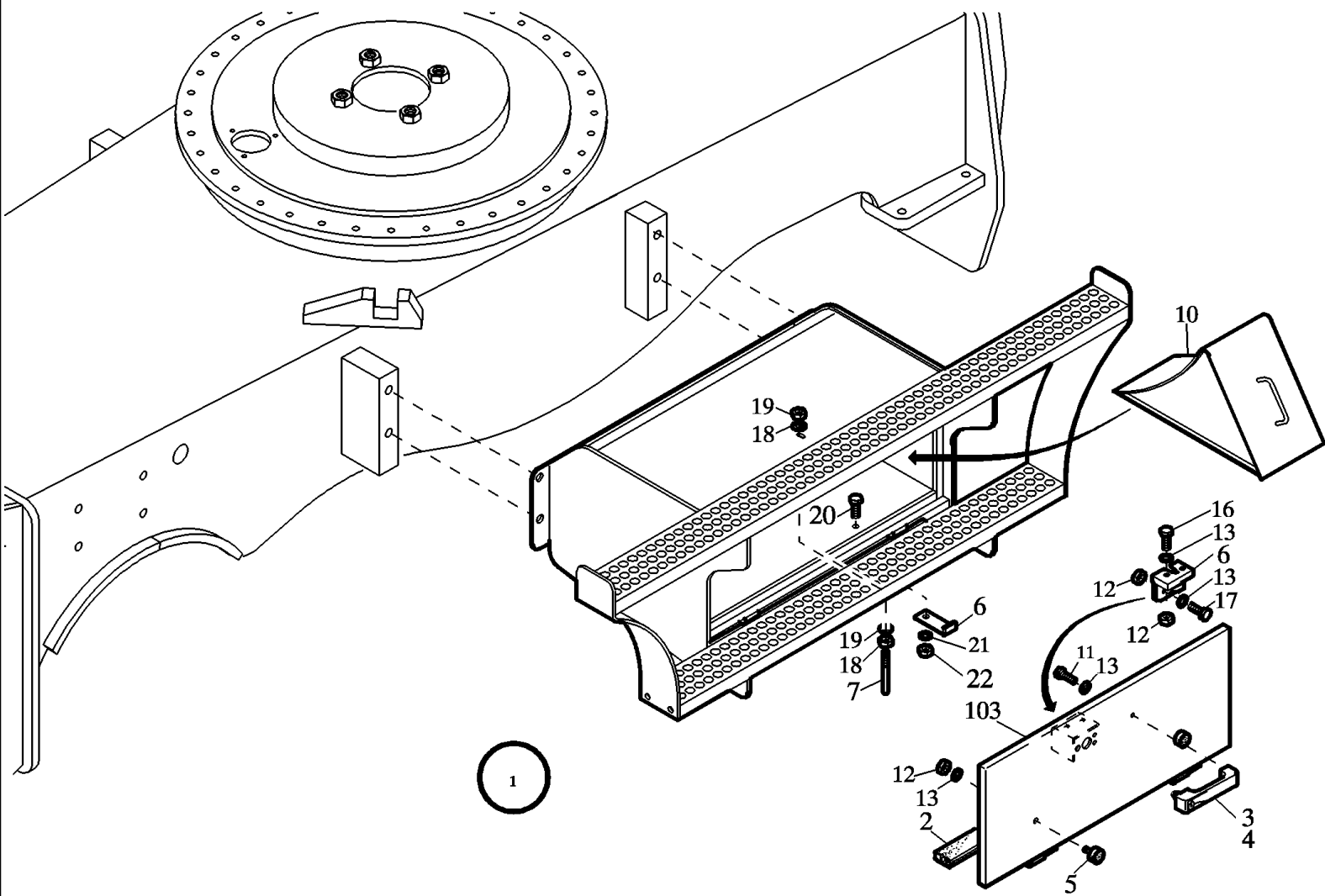


WX145 WHEELED EXCAVATOR (5/04-)

01.300(2988537000) FRAME UPPER CARRIAGE WITH MOUNT. PARTS`

Ref	Part Number	Qty	Description
1	NS	1	COVER UPPER CARRIAGE SEE FIGURE 36.500/2988534000
4	NS	2	BEARING BOOM CYLINDERS SEE FIGURE 01.650/2988535000
5	NS	1	BEARING BOOM SEE FIGURE 01.670/2988536000
11	NS	1	BATTERY INSTALL.MATERIAL SEE FIGURE 31.300/005
33	NS	1	BRACKET INSTALL.MATERIAL SEE FIGURE 35.020/005
101	63519	3	BLIND RIVET
102	2929764	5	CATSEYE
990	8917512		AR MOUNTING PARTS

2992642

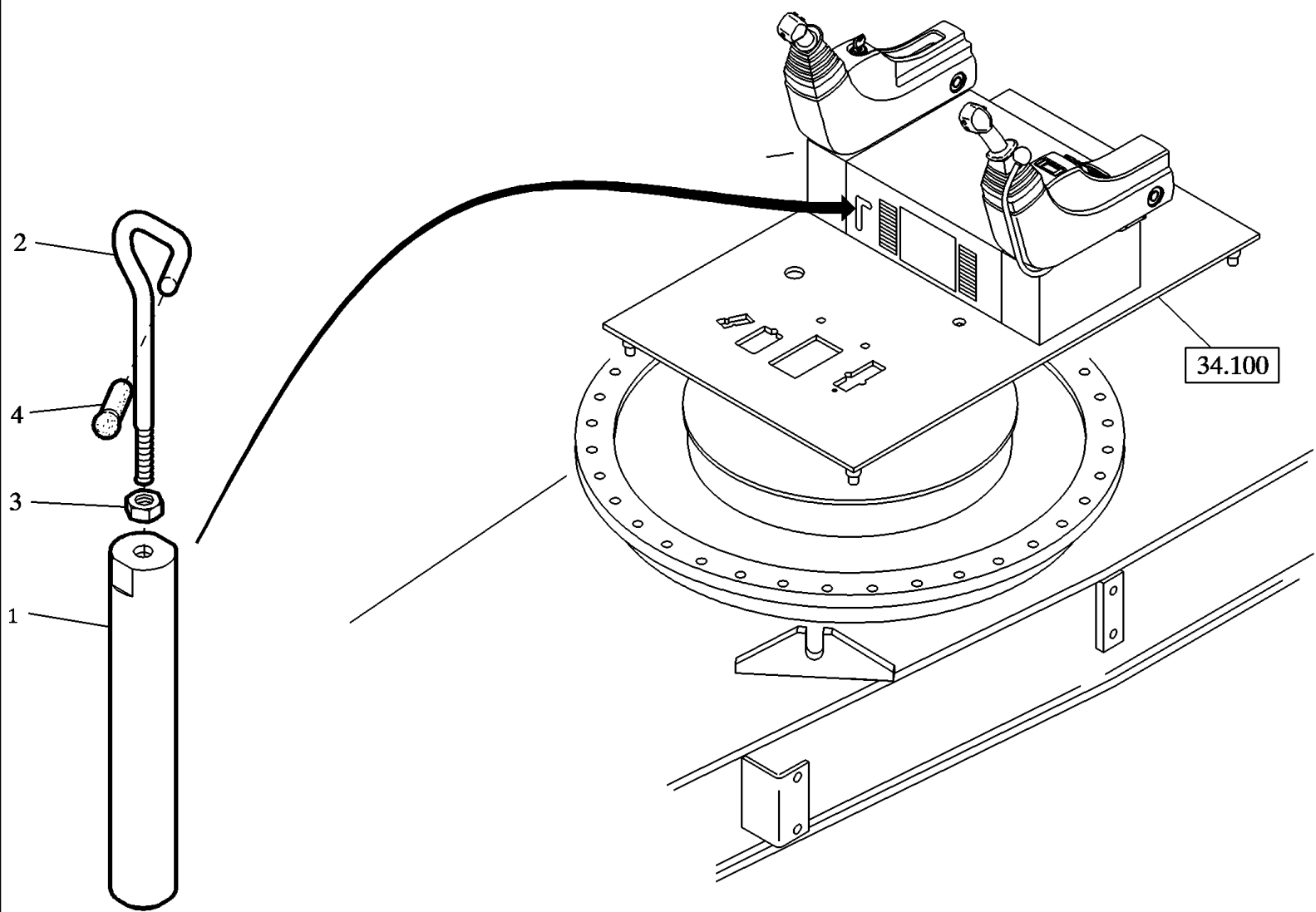


WX145 WHEELED EXCAVATOR (5/04-)

01.620(2985374000) FRAME TOOLBOX

Ref	Part Number	Qty	Description
1	8914415	1	COMBINED STEP
2	1758070	AR	EDGE PROTECTION, 2.50 METER
3	2292135	1	PUSHBUTTON HANDLE
4	2292133	1	LOCK
5	1558667	2	BUMPER
6	1188050	1	LOCKING BAR
7	8914423	1	PIN
10	2186414	1	WEDGE
11	378056	3	BOLT, Hex, M6 x 10, 8.8, Full Thd
12	9706755	6	Nut, M6, CI 8
13	896-11006	9	DISK/WASHER
16	627-6030	2	Bolt, Hex, M6 x 30, 10.9, Full Thd
17	614-6022	2	HEXAGON BOLT
18	2975160	2	DISK/WASHER
19	100016	2	NUT, M10, CI 8
20	614-8020	1	BOLT, Hex, M8 x 20, 8.8
21	2975567	1	LOCKING PLATE
22	43362	1	NUT, M8, CI 10
103	1296565	1	LID
990	8914415	AR	COMBINED STEP
992	8914409	AR	BOX

2992642

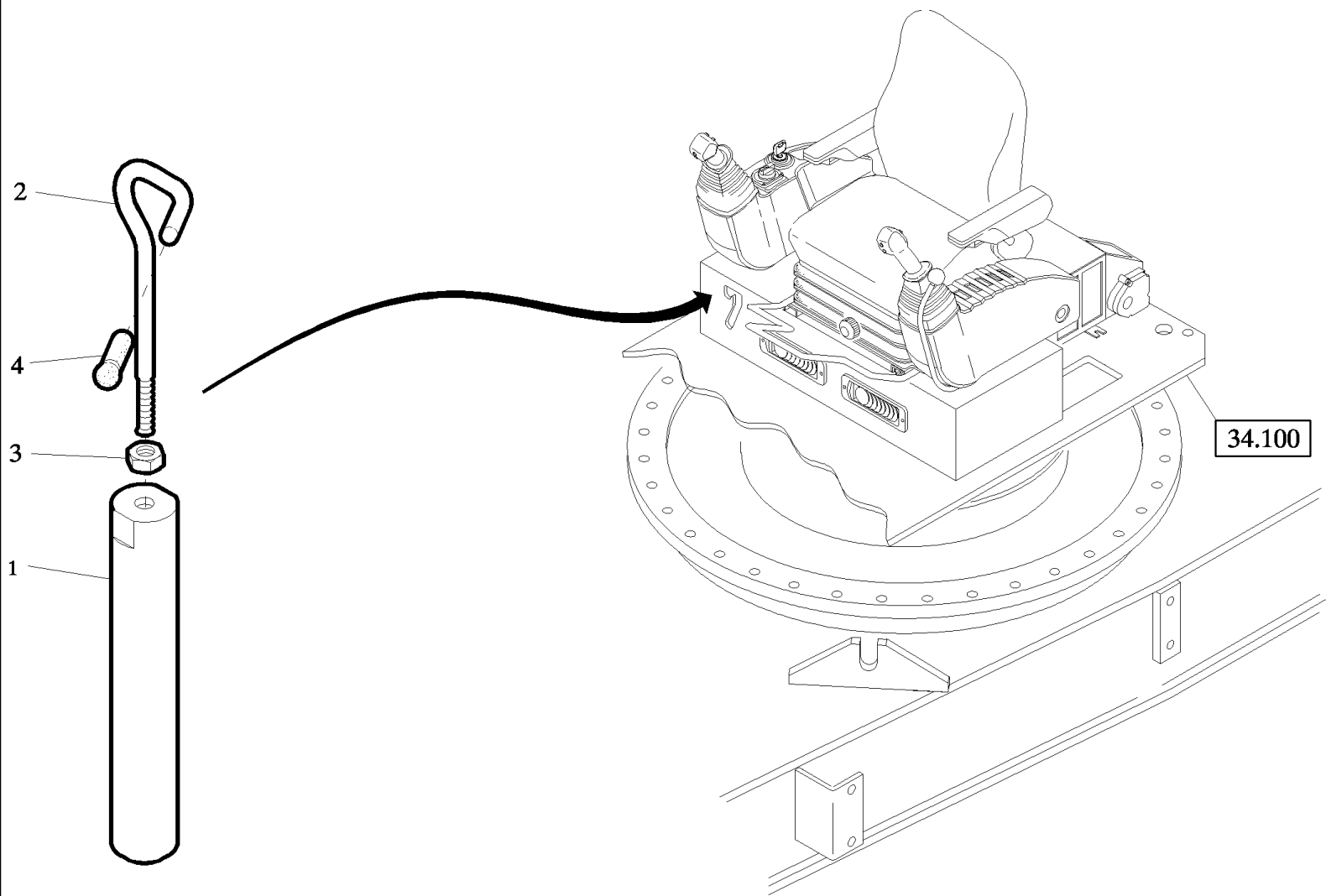


WX145 WHEELED EXCAVATOR (5/04-)

01.642(2984696000) LOCKING DEVICE FRAME

Ref	Part Number	Qty	Description
1	8914192	1	PIN
2	8914190	1	HANDLE
3	412672	1	NUT, LOCK, M12 x 1.75, CI 10
4	2479067	1	CAP
990	8914191	AR	LOCKING DEVICE

2992642

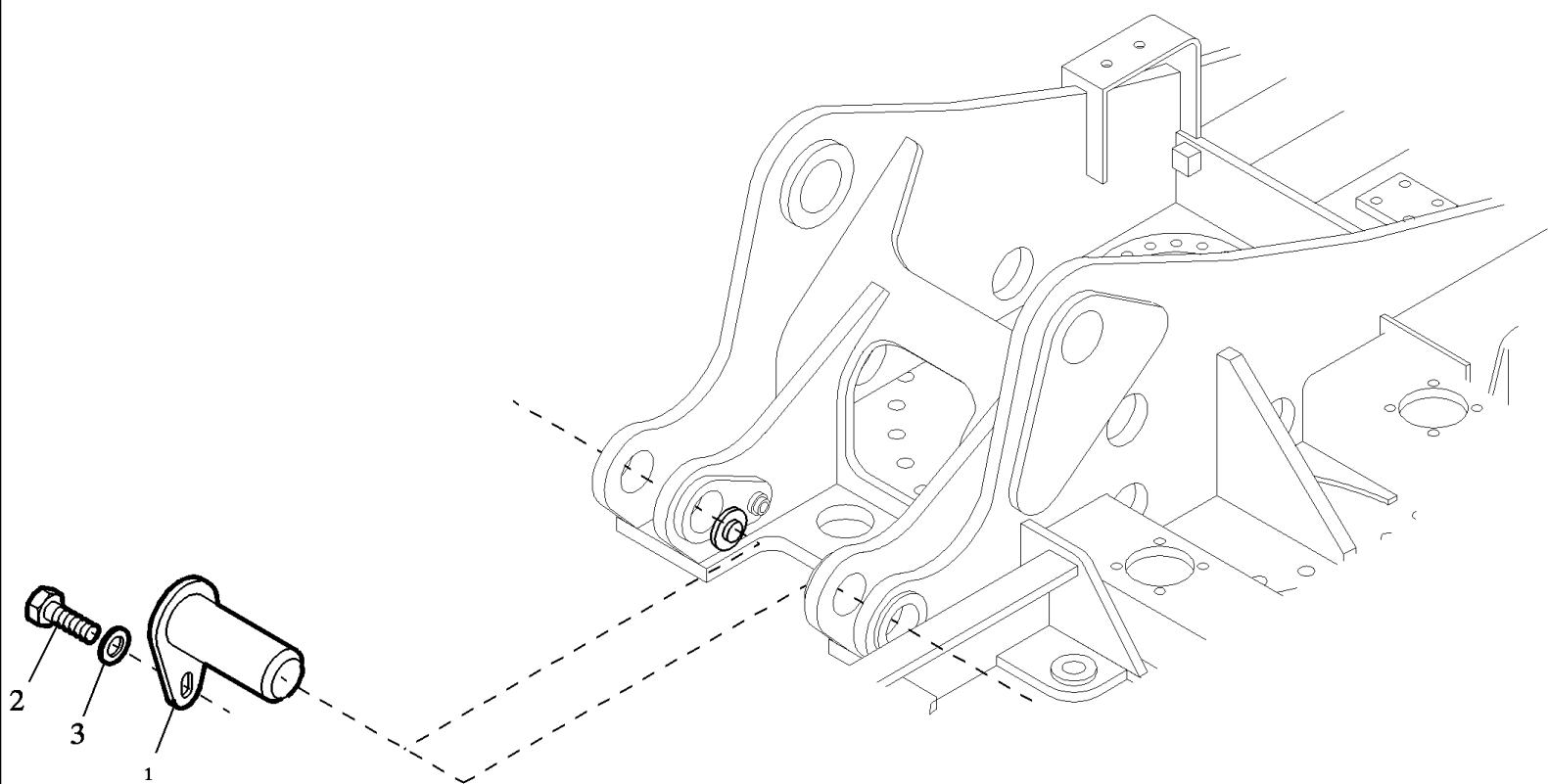


WX145 WHEELED EXCAVATOR (5/04-)

01.642(8914775000) LOCKING DEVICE FRAME

Ref	Part Number	Qty	Description
1	8914192	1	PIN
2	8926350	1	HANDLE
3	412672	1	NUT, LOCK, M12 x 1.75, CI 10
4	2479067	1	CAP

A 5124 00 00

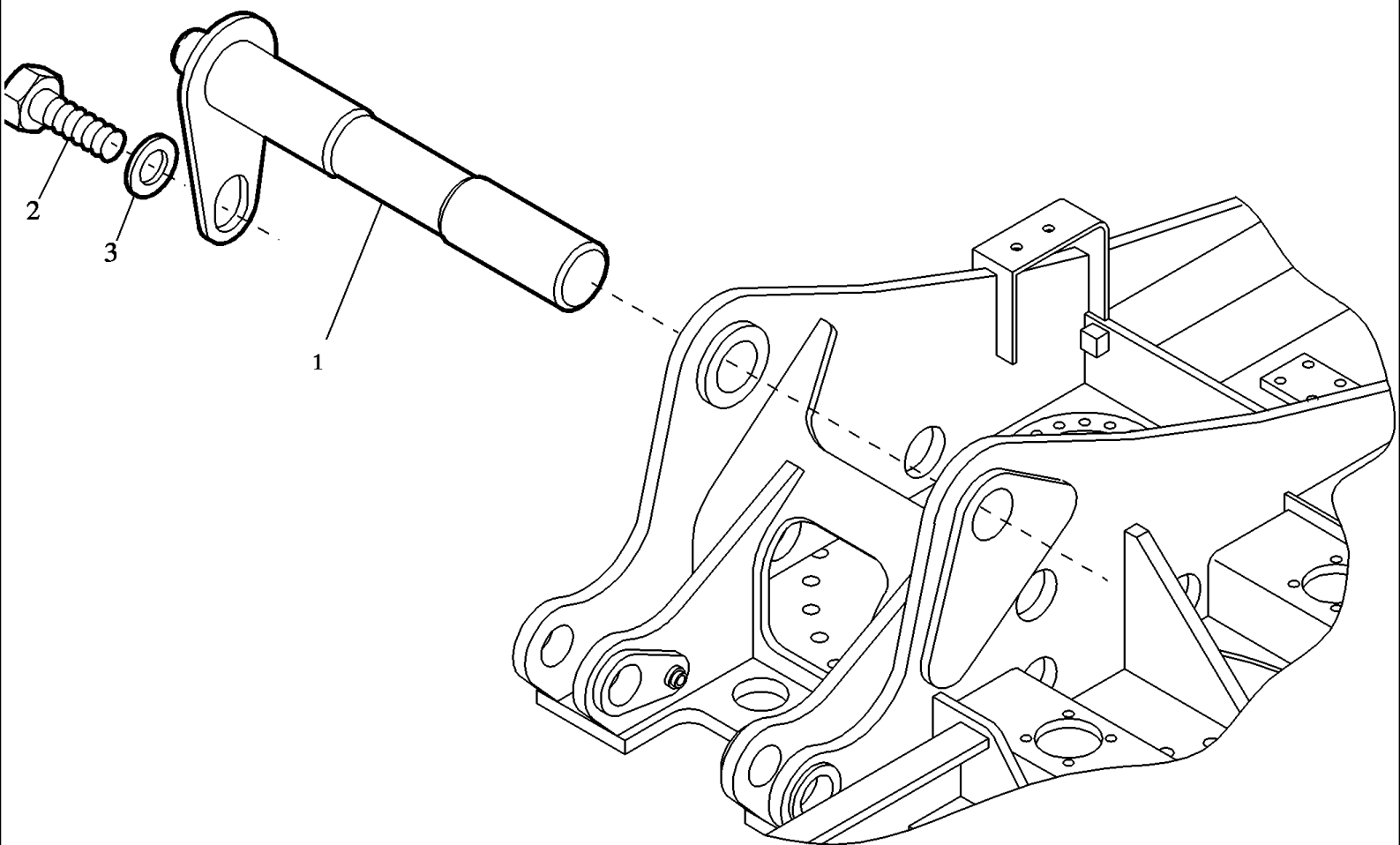


WX145 WHEELED EXCAVATOR (5/04-)

01.650(2988535000) BEARING BOOM CYLINDERS`

Ref	Part Number	Qty	Description
1	8904722	1	PIN
2	2977292	1	HEXAGON BOLT
3	2247486	1	DISK/WASHER
990	8913969	AR	BEARING

2992642

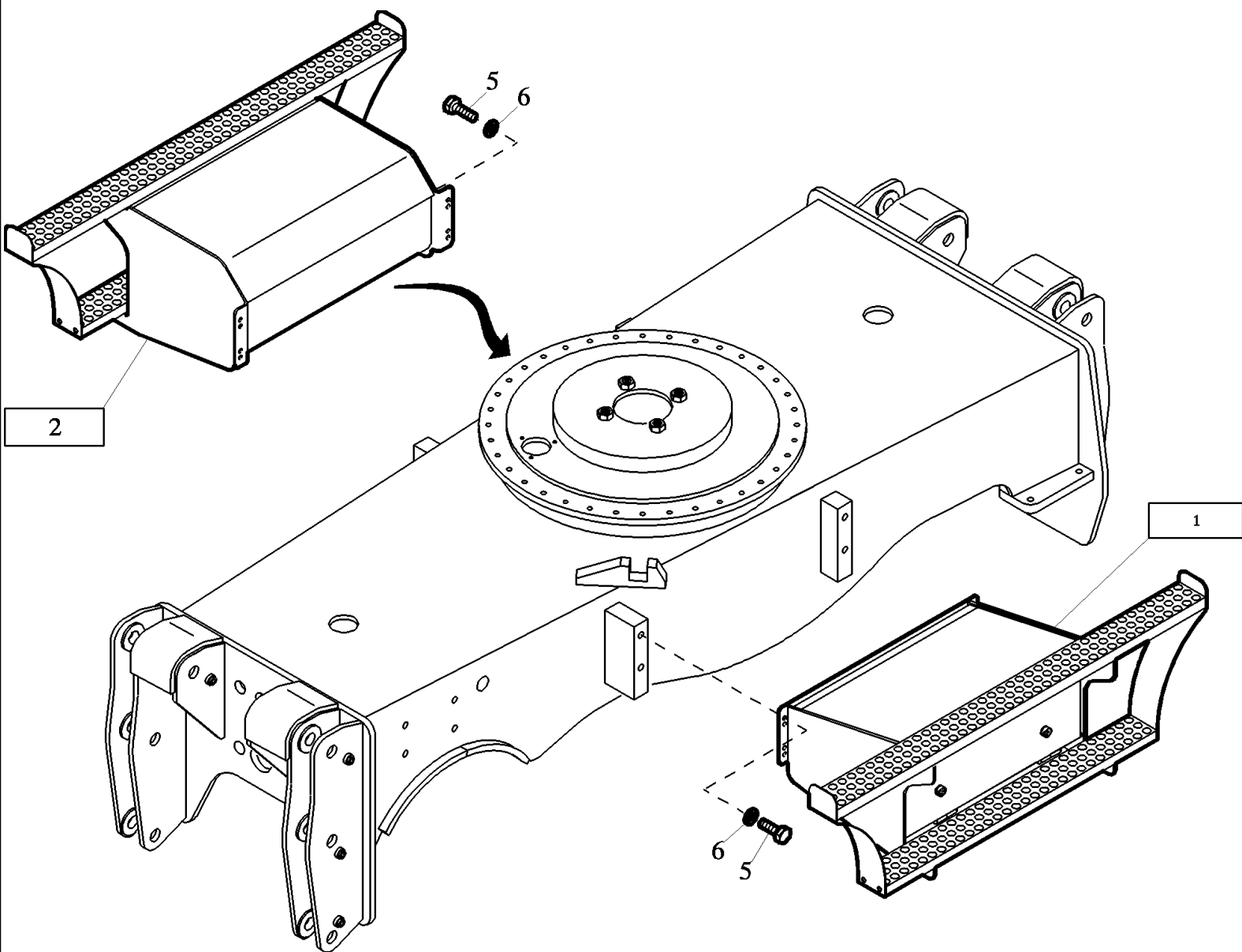


WX145 WHEELED EXCAVATOR (5/04-)

01.670(2988536000) BEARING BOOM

Ref	Part Number	Qty	Description
1	8904724	1	PIN
2	2977292	1	HEXAGON BOLT
3	2247486	1	DISK/WASHER
990	8913968	AR	BEARING

2992642

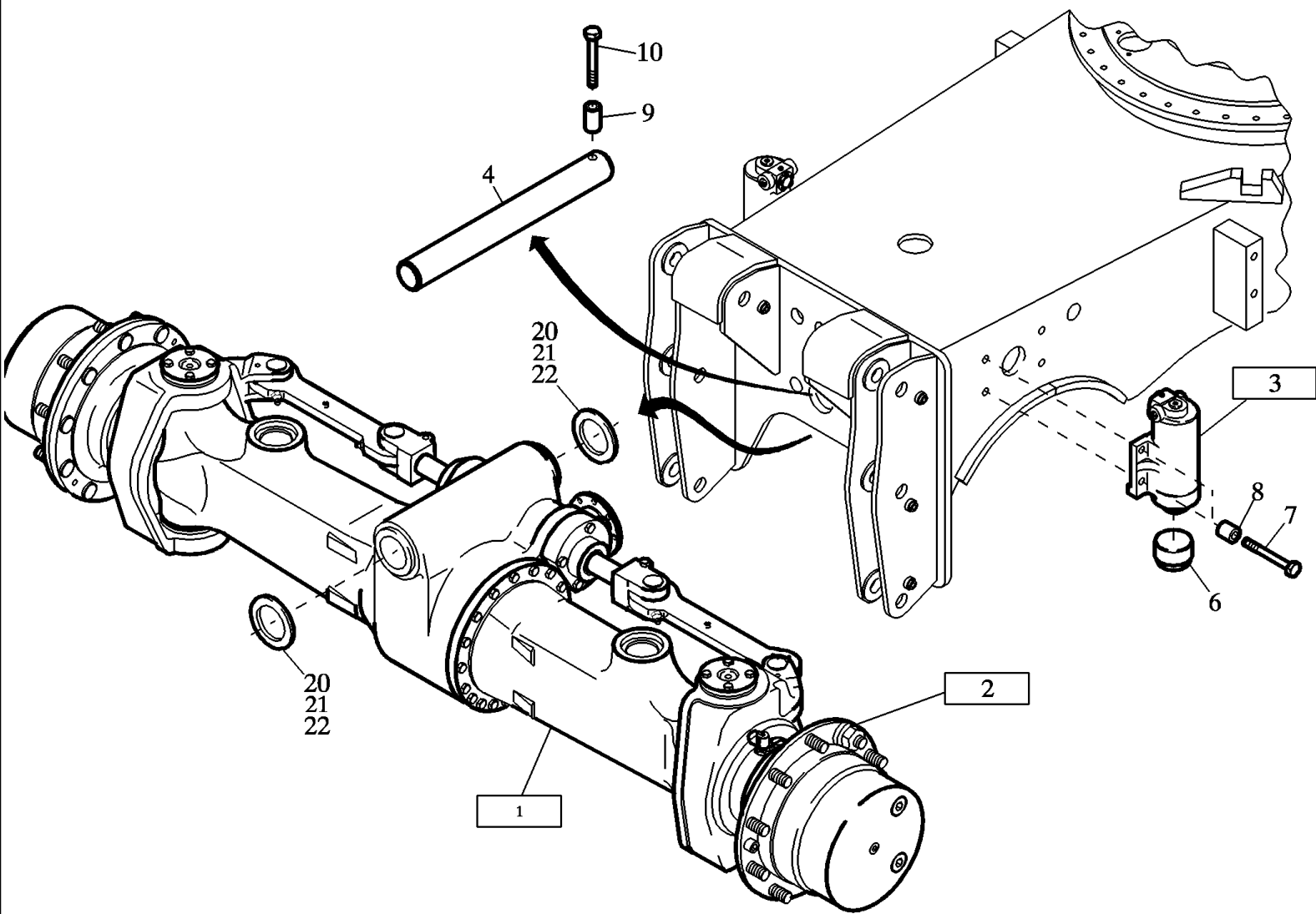


WX145 WHEELED EXCAVATOR (5/04-)

01.810(2985376000) STEPS INSTALL.MATERIAL`

Ref	Part Number	Qty	Description
1	NS	1	FRAME TOOLBOX SEE FIGURE 01.620/2985374000
2	NS	1	STEPS COMPLETE SEE FIGURE 01.812/2985375000
5	614-16030	8	HEXAGON BOLT
6	934283R1	8	DISK/WASHER
990	8914417	AR	STEPS

2992642



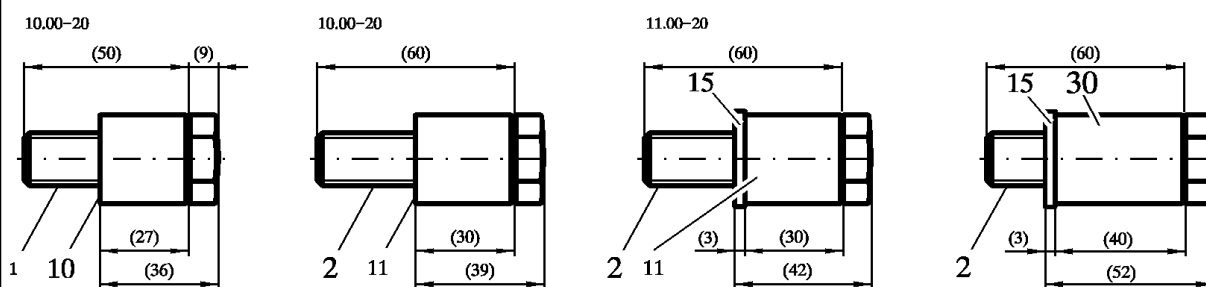
WX145 WHEELED EXCAVATOR (5/04-)

02.010(2988266000) STEERING AXLE INSTALL.MATERIAL

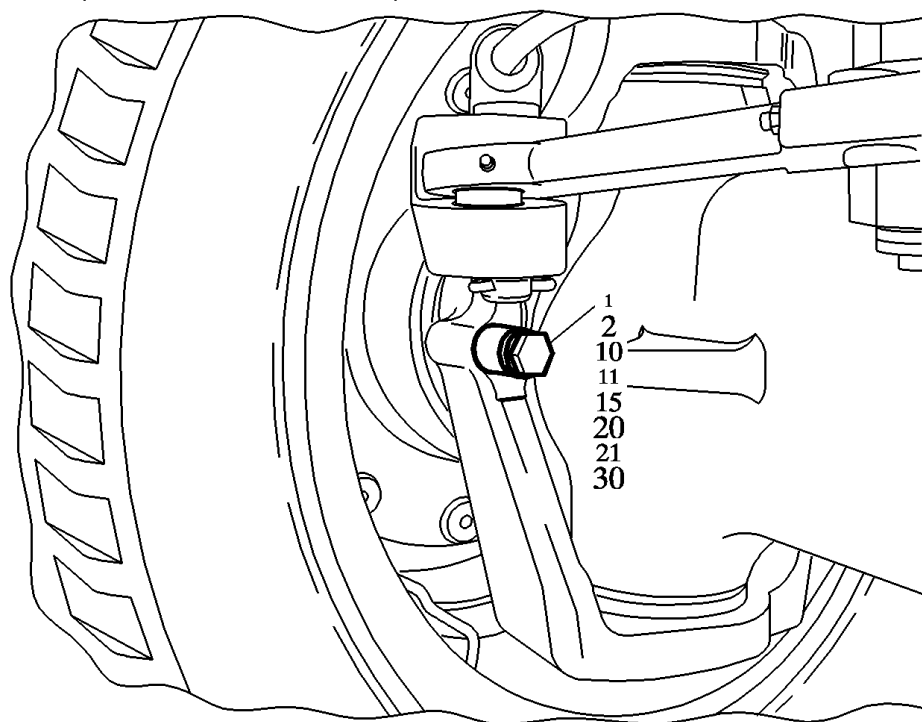
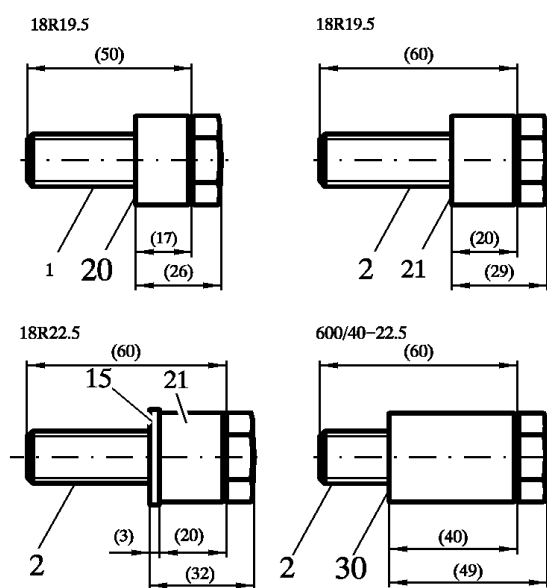
Ref	Part Number	Qty	Description
1	NS	1	STEERING AXLE SEE FIGURE 02.012/2988261000
2	NS	1	WHEEL MOUNTING SEE FIGURE 05.110/2216111002
3	NS	2	STABILIZER CYL. SWING AXLE INSTALL.MATERIAL SEE FIGURE 24.310/2987636000
4	8910410	1	PIN
6	1293436	2	PRESSURE PIECE
7	936954	8	HEXAGON BOLT
8	1295142	8	SLEEVE
9	2247485	1	DISK/WASHER
10	57068	1	HEXAGON BOLT
20	3032018	AR	SHIM
21	3032019	AR	SHIM
22	3032020	AR	SHIM
990	8919651	AR	STEERING AXLE

2992642

Zwillingsbereifungen / Dual Tyre



Singelbereifungen / Single Tyre

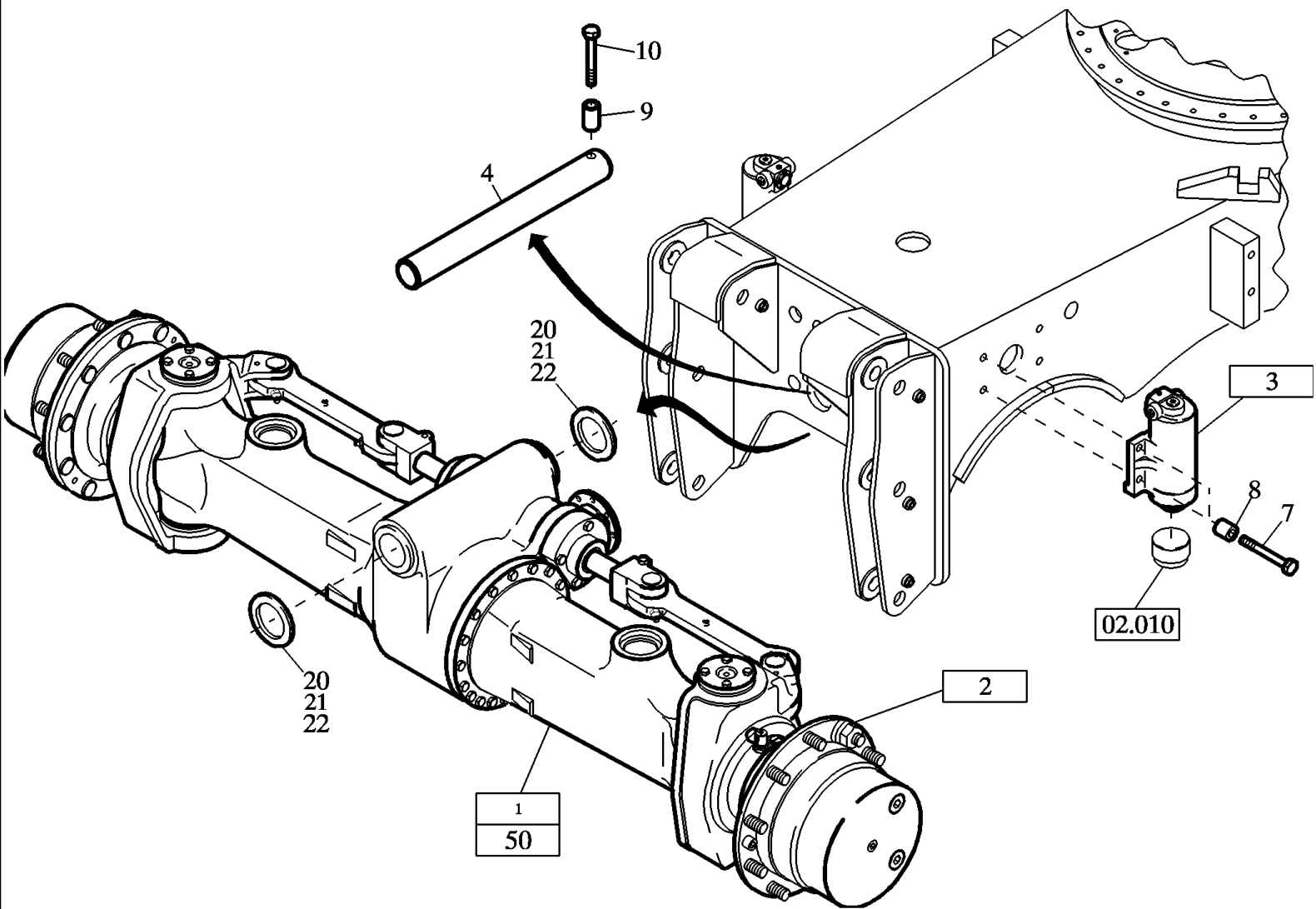


WX145 WHEELED EXCAVATOR (5/04-)

02.010(2989647003) STEERING AXLE INSTALL.MATERIAL LIMITATION

Ref	Part Number	Qty	Description
1	1729612	AR	SCREW
2	2816443	AR	SCREW
10	1222904	AR	SPACER
11	1235452	AR	SPACER
15	56992	AR	DISK/WASHER
20	1248775	AR	SPACER
21	3286	AR	SPACER
30	1127278	AR	SPACER
990	8920180	AR	REGULATION

16400/E/0404

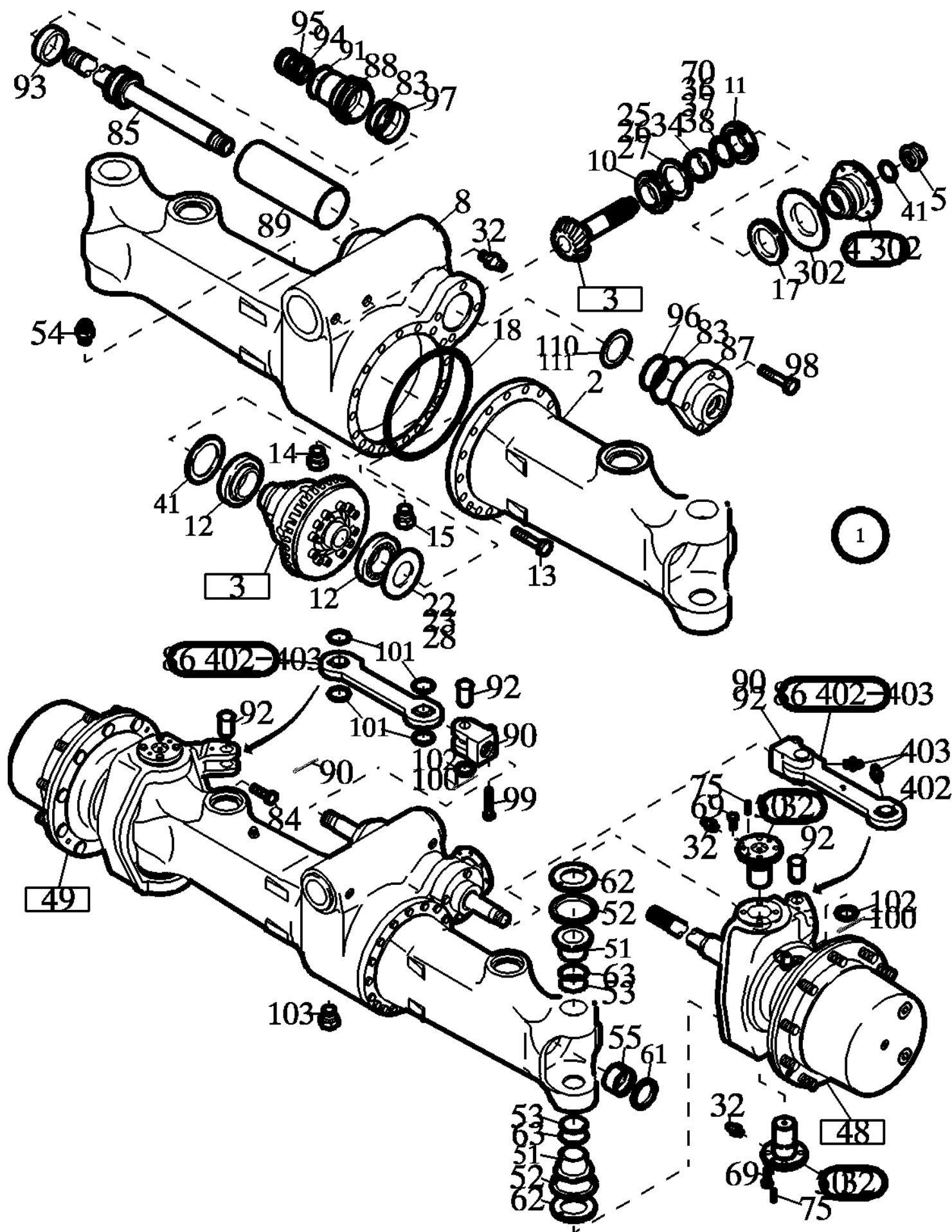


WX145 WHEELED EXCAVATOR (5/04-)

02.010(2991288001) STEERING AXLE INSTALL.MATERIAL

Ref	Part Number	Qty	Description
1	NS	1	STEERING AXLE SEE FIGURE 02.012/2988261000
2	NS	1	WHEEL MOUNTING SEE FIGURE 05.110/2216111002
3	NS	2	STABILIZER CYL. SWING AXLE INSTALL.MATERIAL SEE FIGURE 24.310/2987636000
4	8910410	1	PIN
7	936954	8	HEXAGON BOLT
8	8922188	8	SLEEVE
9	2247485	1	DISK/WASHER
10	57068	1	HEXAGON BOLT
20	3032018	AR	SHIM
21	3032019	AR	SHIM
22	3032020	AR	SHIM
50	NS	1	STEERING AXLE INSTALL.MATERIAL LIMITATION SEE FIGURE 02.010/2989647002
990	8922569	AR	STEERING AXLE

2992642



WX145 WHEELED EXCAVATOR (5/04-)

02.012(2988261000) STEERING AXLE

Ref	Part Number	Qty	Description
1	2815839	1	AXLE
2	2814407	1	AXLE BLOCK
3	NS	1	DIFFERENTIAL SEE FIGURE 16.600/2943344000
4	2808391	1	FLANGE
5	1597982	1	NUT
8	2815798	1	AXLE BLOCK
10	44514	1	TAP.ROLLER BEARING
11	157685	1	TAP.ROLLER BEARING
12	2973203	2	TAP.ROLLER BEARING
13	71015	19	HEXAGON BOLT
14	424052A1	2	SCREW PLUG
15	424259A1	1	SCREW PLUG
17	2168639	1	ROT.SHAFT LIP SEAL
18	2900495	1	O-RING
22	2247515	AR	SHIM RING
23	2247516	AR	SHIM RING
25	2929286	AR	SHIM RING
26	2213390	AR	SHIM RING
27	2213391	AR	SHIM RING
28	2247523	AR	SHIM RING
32	933781R1	2	NIPPLE, LUBE, M10 x 1
34	1753662	1	BUSHING
36	2929272	AR	SHIM RING
37	424002A1	AR	SHIM RING
38	424004A1	AR	SHIM RING
41	2135262	1	DISK/WASHER
48	NS	1	WHEEL HUB LEFT-HAND SEE FIGURE 02.220/2990530000
49	NS	1	WHEEL HUB RIGHT-HAND SEE FIGURE 02.220/2990529000
50	2809836	4	PIN
51	2177375	4	BUSHING
52	1584192	2	RING
53	1599563	4	DISK/WASHER
54	420326A1	1	BLEEDER
55	1709862	2	BUSHING
61	2810205	2	GASKET
62	760987	4	ROT SHAFT LIP SEAL
63	158085	4	ROUND SEALING RING
69	28729	16	HEXAGON BOLT
70	2213478	AR	SHIM RING
75	4921216	4	LOCKING PIN
81	2810844	2	DISK/WASHER
83	2816478	2	SEALING RING
84	2816443	2	SCREW
85	2816474	1	PISTON ROD
86	1904365	2	TRACK ROD

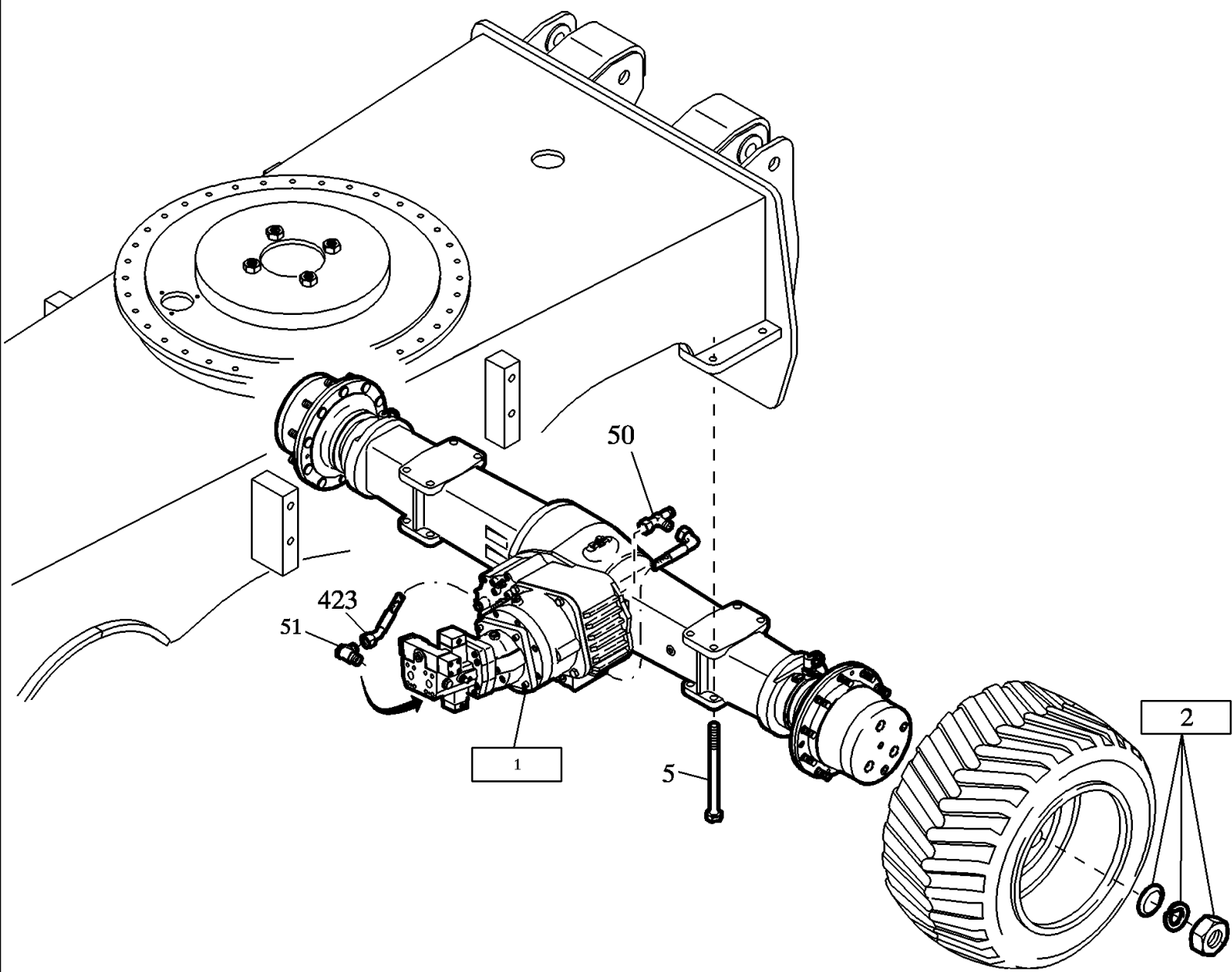
2992642

WX145 WHEELED EXCAVATOR (5/04-)

02.012(2988261000) STEERING AXLE

Ref	Part Number	Qty	Description
87	2816472	1	LID
88	2816475	1	BUSHING
89	2816473	1	CYLINDER LINER
90	1599565	2	FORK
91	2816477	2	ROD SEAL
92	1904368	4	PIN
93	2816479	1	PISTON SEAL
94	2816480	1	PISTON GUIDE RING
95	2816478	2	SEALING RING
96	43934	1	ROUND SEALING RING
97	243564	1	ROUND SEALING RING
98	99803	4	HEXAGON BOLT
99	1637759	2	HEXAGON BOLT
100	12735	4	COTTER PIN
101	591361	16	DISK/WASHER
102	2973453	4	DISK/WASHER
103	420433A1	2	SCREW PLUG
110	8401853	AR	SHIM RING
111	8401852	AR	SHIM RING
302	2807951	1	BONNET
402	1520880	4	JOINT BEARING
403	2973070	4	GREASE NIPPLE
990	2815839	AR	AXLE

2992642



WX145 WHEELED EXCAVATOR (5/04-)

02.060(2988680000) RIGID AXLE INSTALL.MATERIAL 30 KM/H

Ref	Part Number	Qty	Description
1	NS	1	RIGID AXLE SEE FIGURE 02.062/2988622000
2	NS	1	WHEEL MOUNTING SEE FIGURE 05.110/2216111002
5	782767	8	HEXAGON BOLT
50	420468A1	1	SOCKET
51	420469A1	1	SWING FIXTURE
423	8919203	1	LINE
990	8919302	AR	RIGID AXLE
991	8910437	AR	HYDRAULIC SYSTEM

2992642

BUY NOW

**Then Instant Download
the Complete Manual
Thank you very much!**