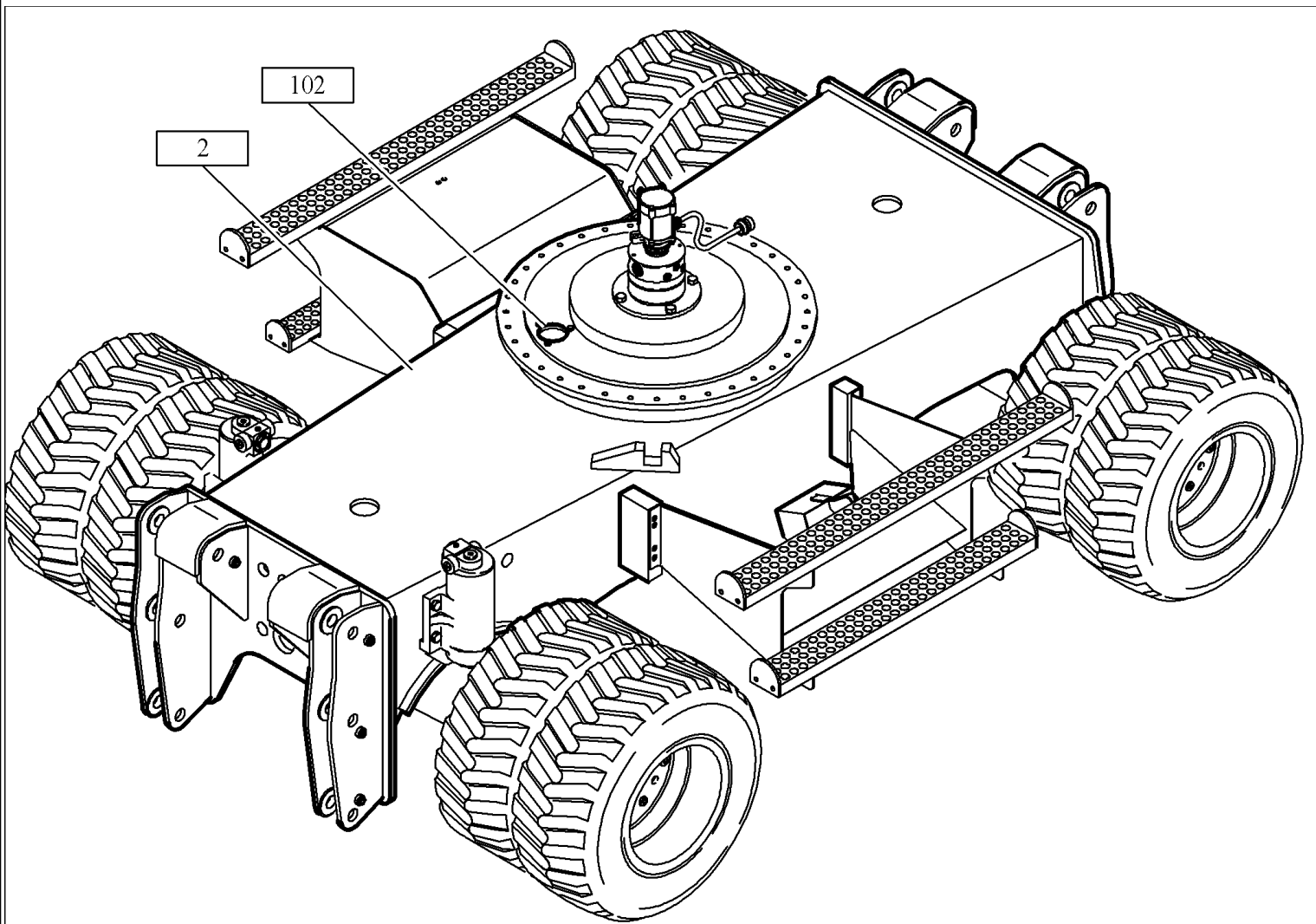




PARTS CATALOGUE

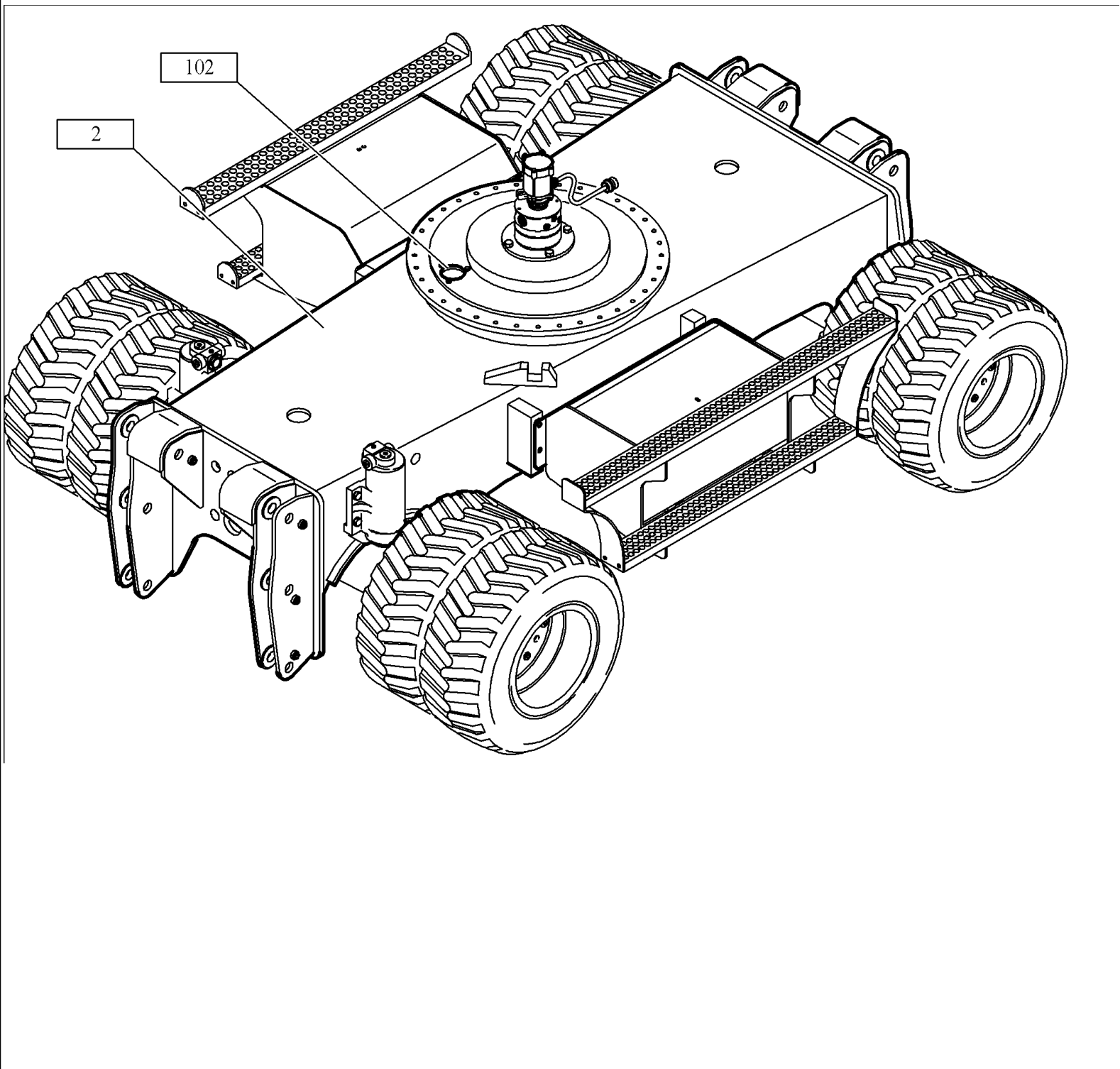
WX165



WX165 WHEELED EXCAVATOR (2/04-)

00.200(001) LOWER CARRIAGE EXCAVATOR (S/N 471001-471013)

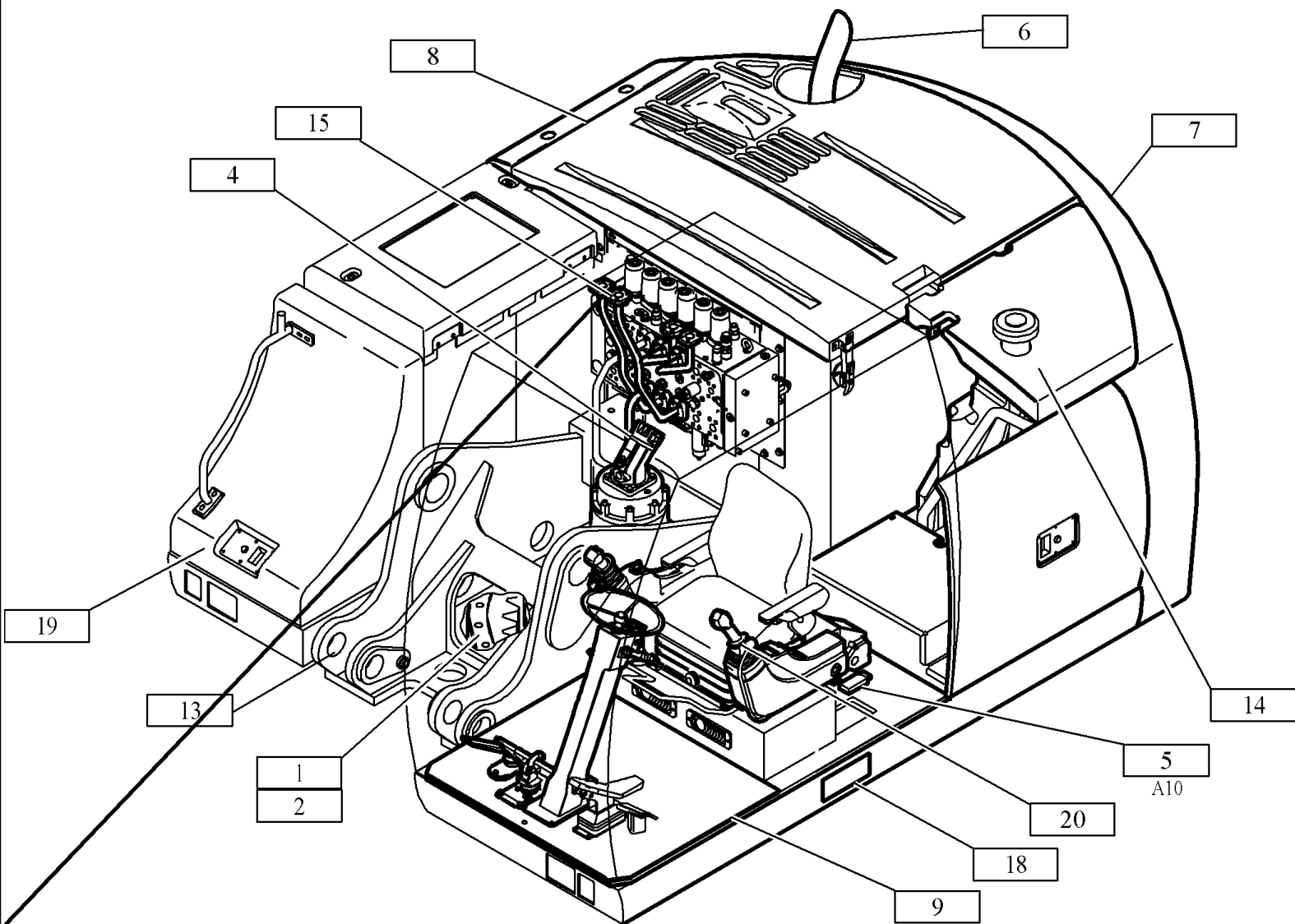
Ref	Part Number	Qty	Description
2	NS	1	SEE FIGURE 01.200/002
102	NS	1	SEE FIGURE 01.200/001



WX165 WHEELED EXCAVATOR (2/04-)

00.200(002) LOWER CARRIAGE EXCAVATOR (S/N 471014-UP)

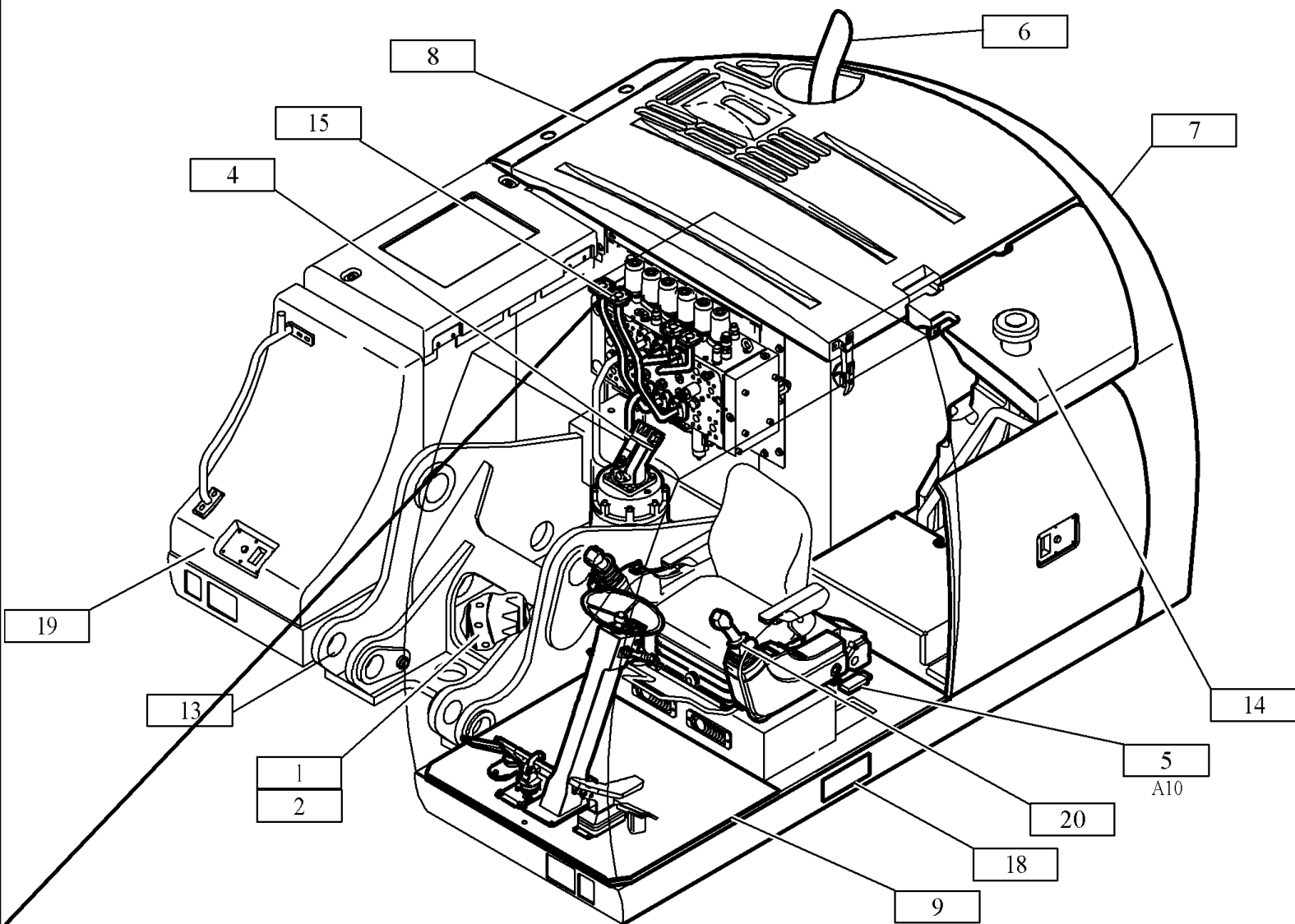
Ref	Part Number	Qty	Description
2	NS	1	SEE FIGURE 01.200/003
102	NS	1	SEE FIGURE 01.200/001



WX165 WHEELED EXCAVATOR (2/04-)

00.300(001) UPPER CARRIAGE EXCAVATOR (S/N 471001-471016)

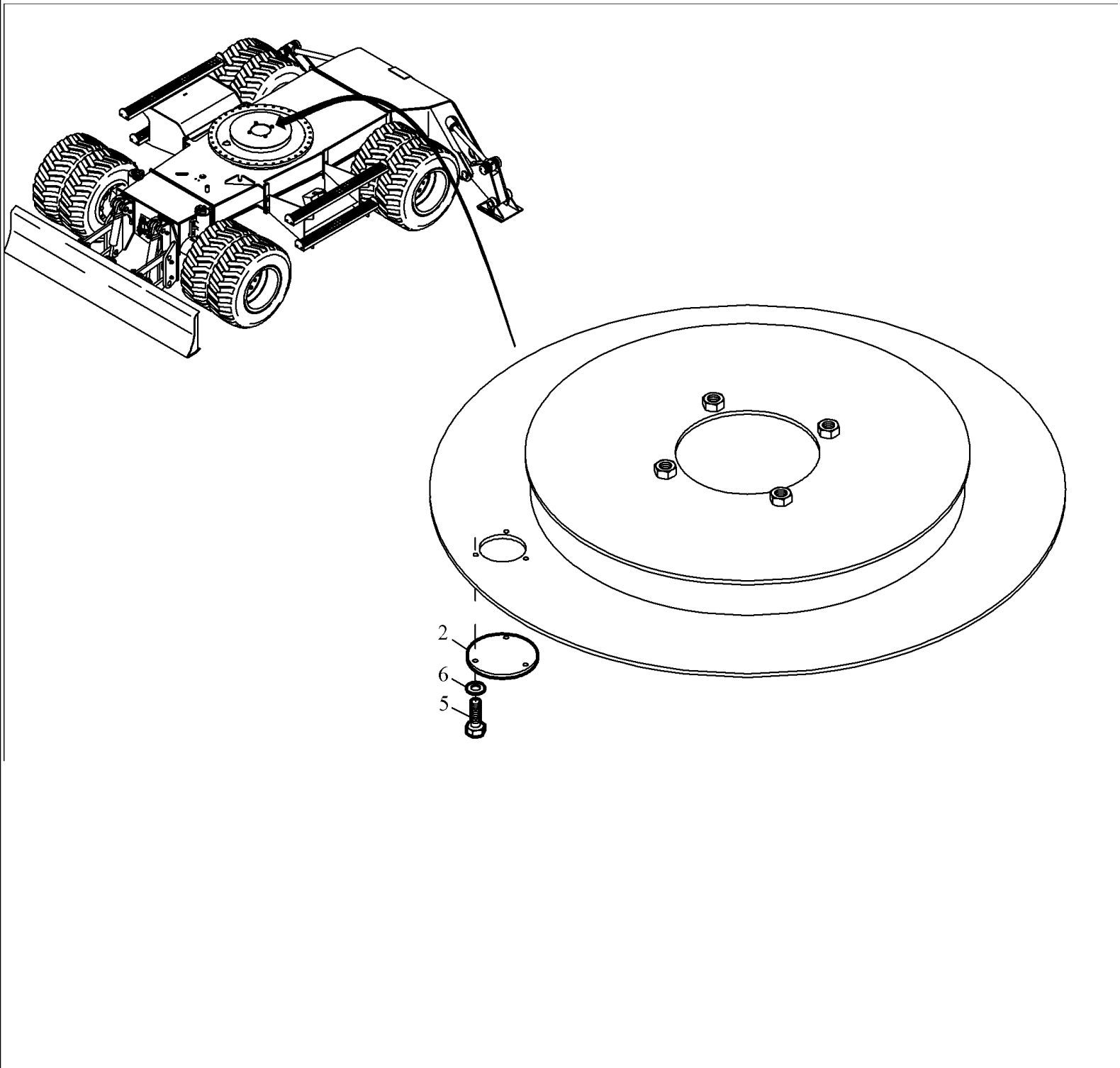
Ref	Part Number	Qty	Description
1	NS	1	SEE FIGURE 92.020/001
2	NS	1	SEE FIGURE 11.012/001
4	NS	1	SEE FIGURE 16.030/001
5	NS	1	SEE FIGURE 32.150/001
6	NS	1	SEE FIGURE 13.010/001
8	NS	1	SEE FIGURE 36.005/001
9	NS	1	SEE FIGURE 34.010/001
13	NS	1	SEE FIGURE 01.300/002
14	NS	1	SEE FIGURE 10.200/001
15	NS	1	SEE FIGURE 20.030/001
18	NS	1	SEE FIGURE 91.010/001
19	NS	1	SEE FIGURE 92.010/001
20	NS	1	SEE FIGURE 32.010/001



WX165 WHEELED EXCAVATOR (2/04-)

00.300(002) UPPER CARRIAGE EXCAVATOR (S/N 471017-UP)

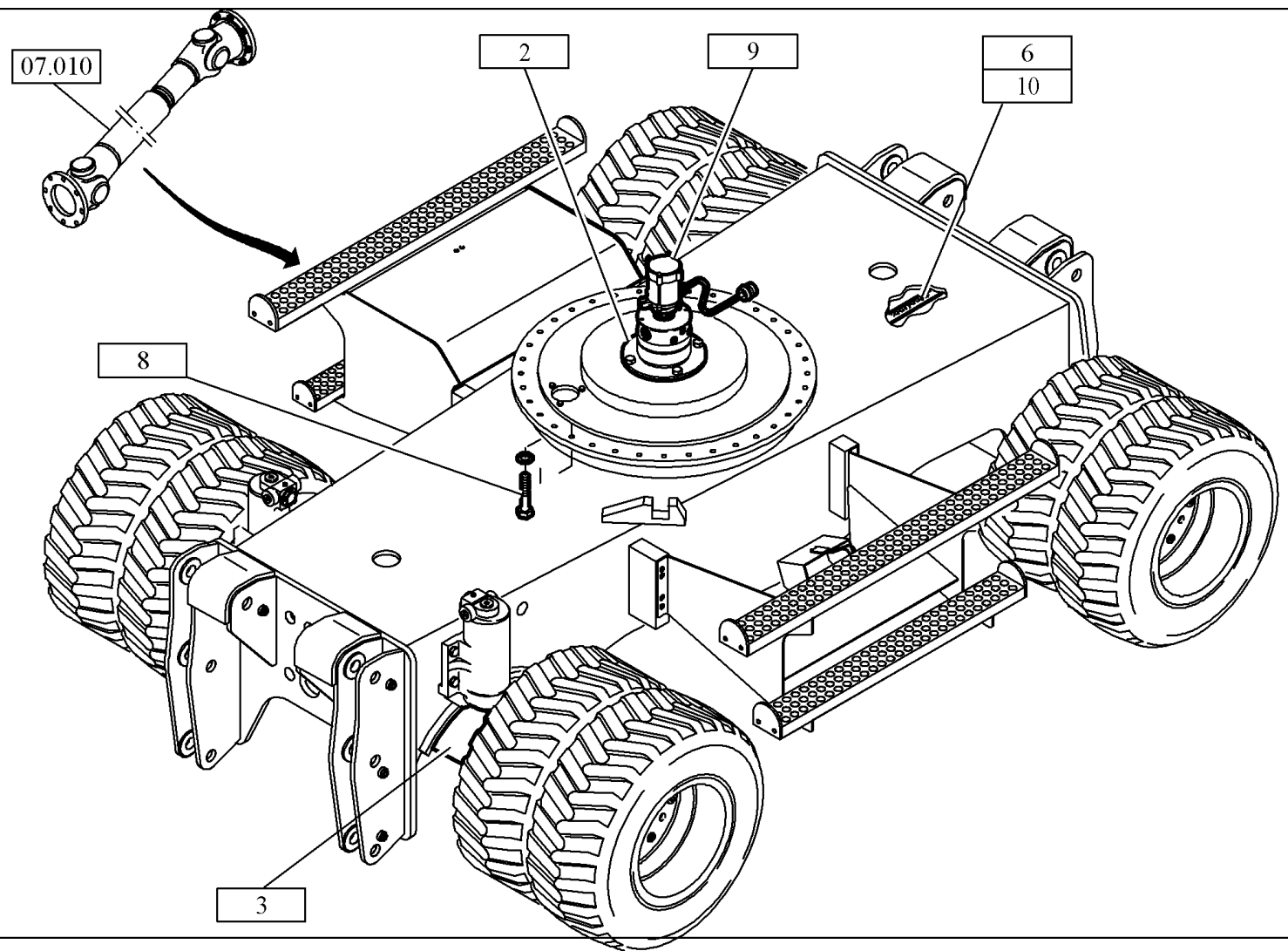
Ref	Part Number	Qty	Description
1	NS	1	SEE FIGURE 92.020/001
2	NS	1	SEE FIGURE 11.012/001
4	NS	1	SEE FIGURE 16.030/001
5	NS	1	SEE FIGURE 32.150/002
6	NS	1	SEE FIGURE 13.010/002
8	NS	1	SEE FIGURE 36.005/001
9	NS	1	SEE FIGURE 34.010/001
13	NS	1	SEE FIGURE 01.300/002
14	NS	1	SEE FIGURE 10.200/001
15	NS	1	SEE FIGURE 20.030/002
18	NS	1	SEE FIGURE 91.010/001
19	NS	1	SEE FIGURE 92.010/001
20	NS	1	SEE FIGURE 32.010/002



WX165 WHEELED EXCAVATOR (2/04-)

01.200(001) FRAME LOWER CARRIAGE WITH MOUNT. PARTS (S/N 471001-UP)

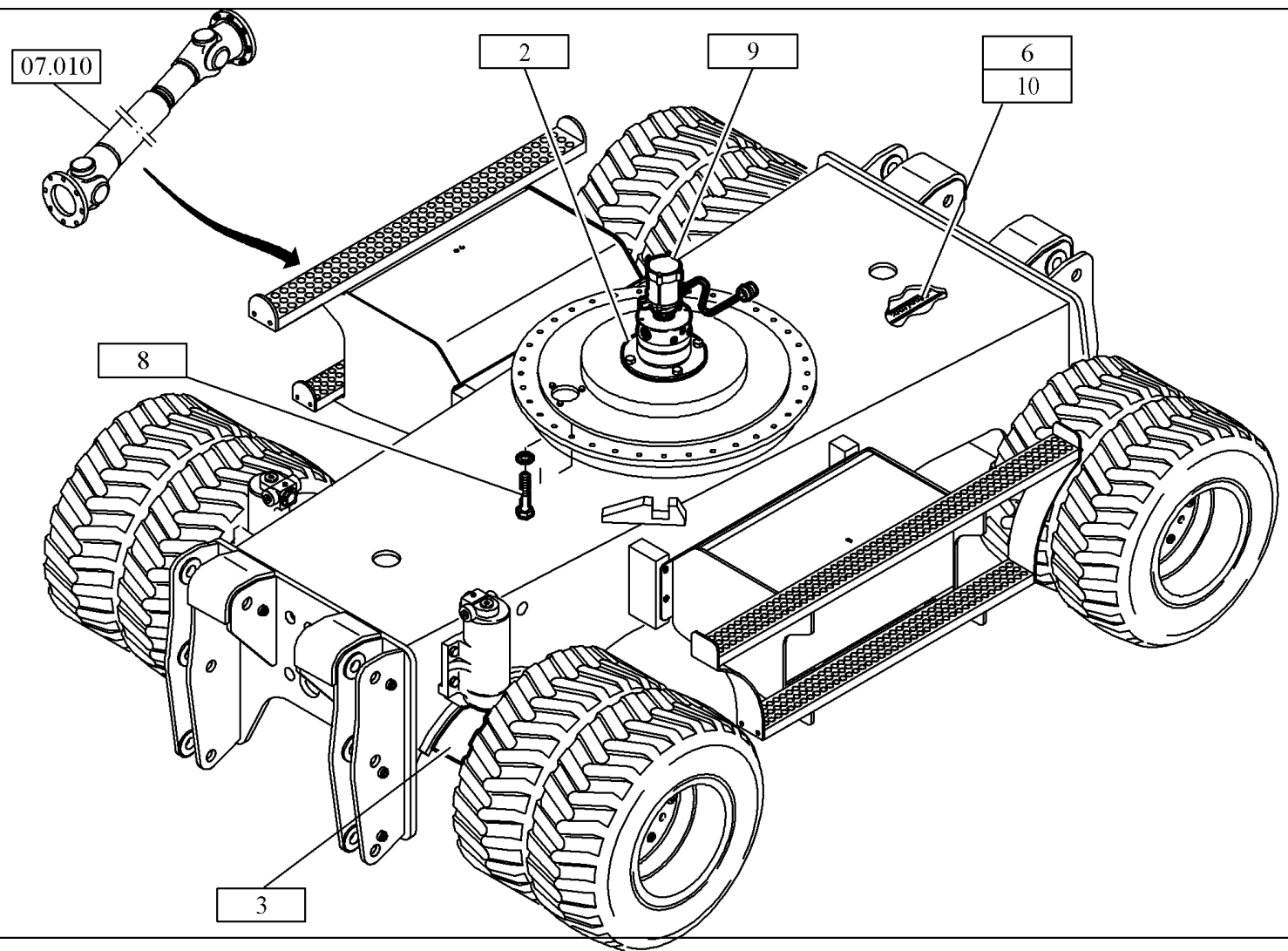
Ref	Part Number	Qty	Description
2	3030213	1	
5	421109A1	3	
6	2979225	3	



WX165 WHEELED EXCAVATOR (2/04-)

01.200(002) FRAME LOWER CARRIAGE WITH MOUNT. PARTS (S/N 471001-471013)

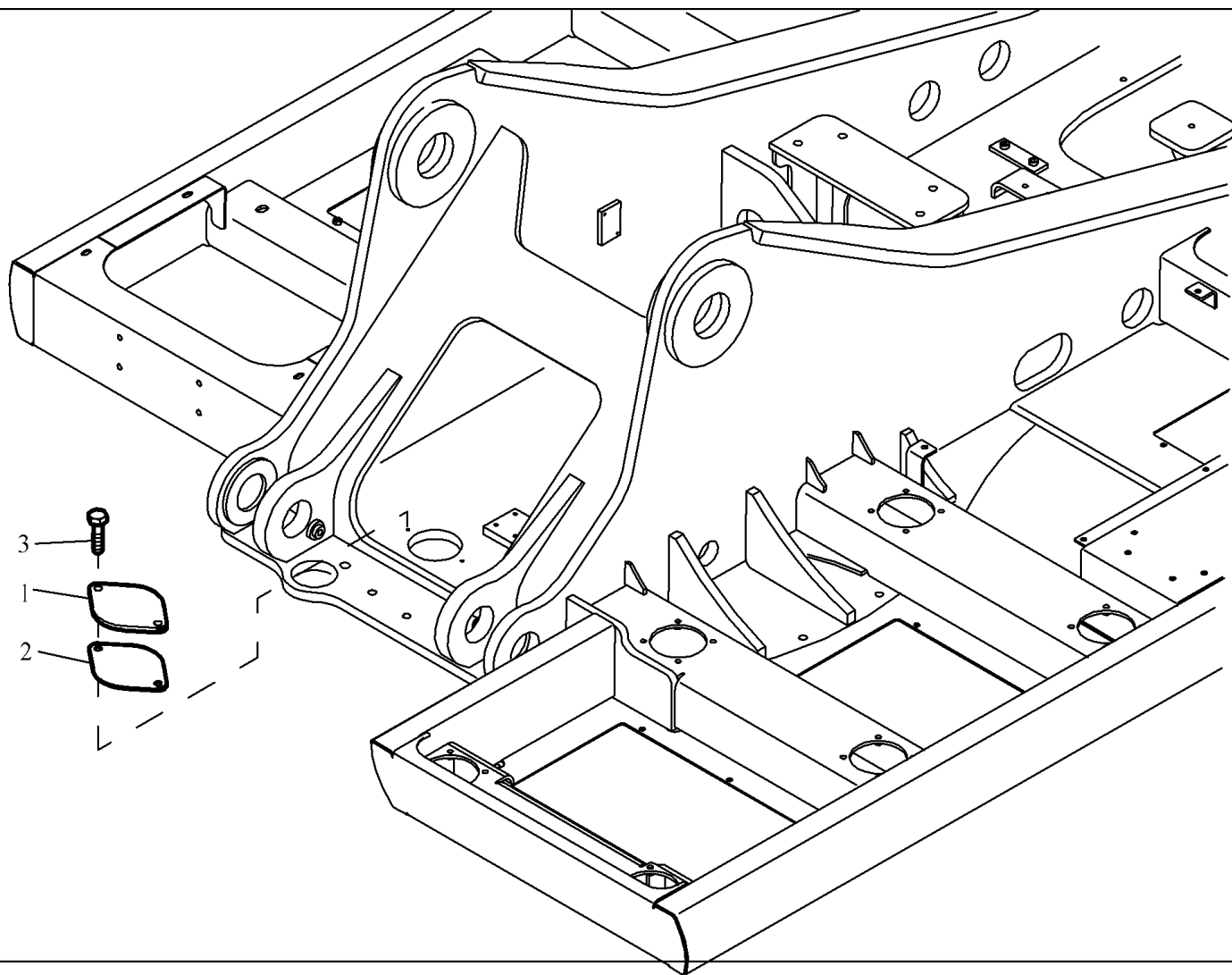
Ref	Part Number	Qty	Description
2	NS	1	SEE FIGURE 22.500/002
3	NS	1	SEE FIGURE 02.010/001
6	NS	1	SEE FIGURE 20.020/001
8	NS	1	SEE FIGURE 11.010/001
9	NS	1	SEE FIGURE 33.010/001
10	NS	1	SEE FIGURE 32.123/002



WX165 WHEELED EXCAVATOR (2/04-)

01.200(003) FRAME LOWER CARRIAGE WITH MOUNT. PARTS (S/N 471014-UP)

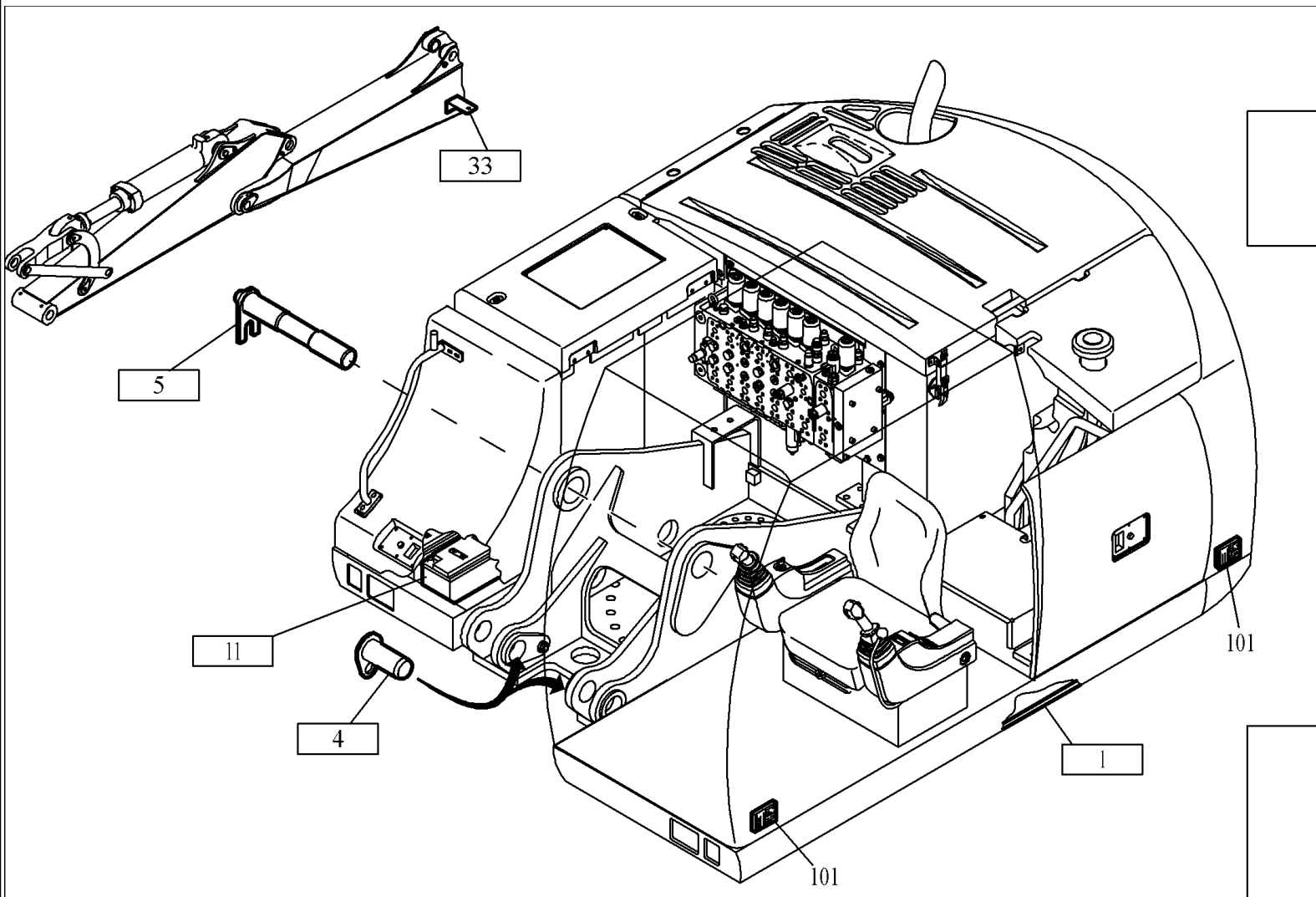
Ref	Part Number	Qty	Description
2	NS	1	SEE FIGURE 22.500/002
3	NS	1	SEE FIGURE 02.010/002
6	NS	1	SEE FIGURE 20.020/001
8	NS	1	SEE FIGURE 11.010/001
9	NS	1	SEE FIGURE 33.010/001
10	NS	1	SEE FIGURE 32.123/002



WX165 WHEELED EXCAVATOR (2/04-)

01.300(001) FRAME UPPER CARRIAGE WITH MOUNT. PARTS (S/N 471001-UP)

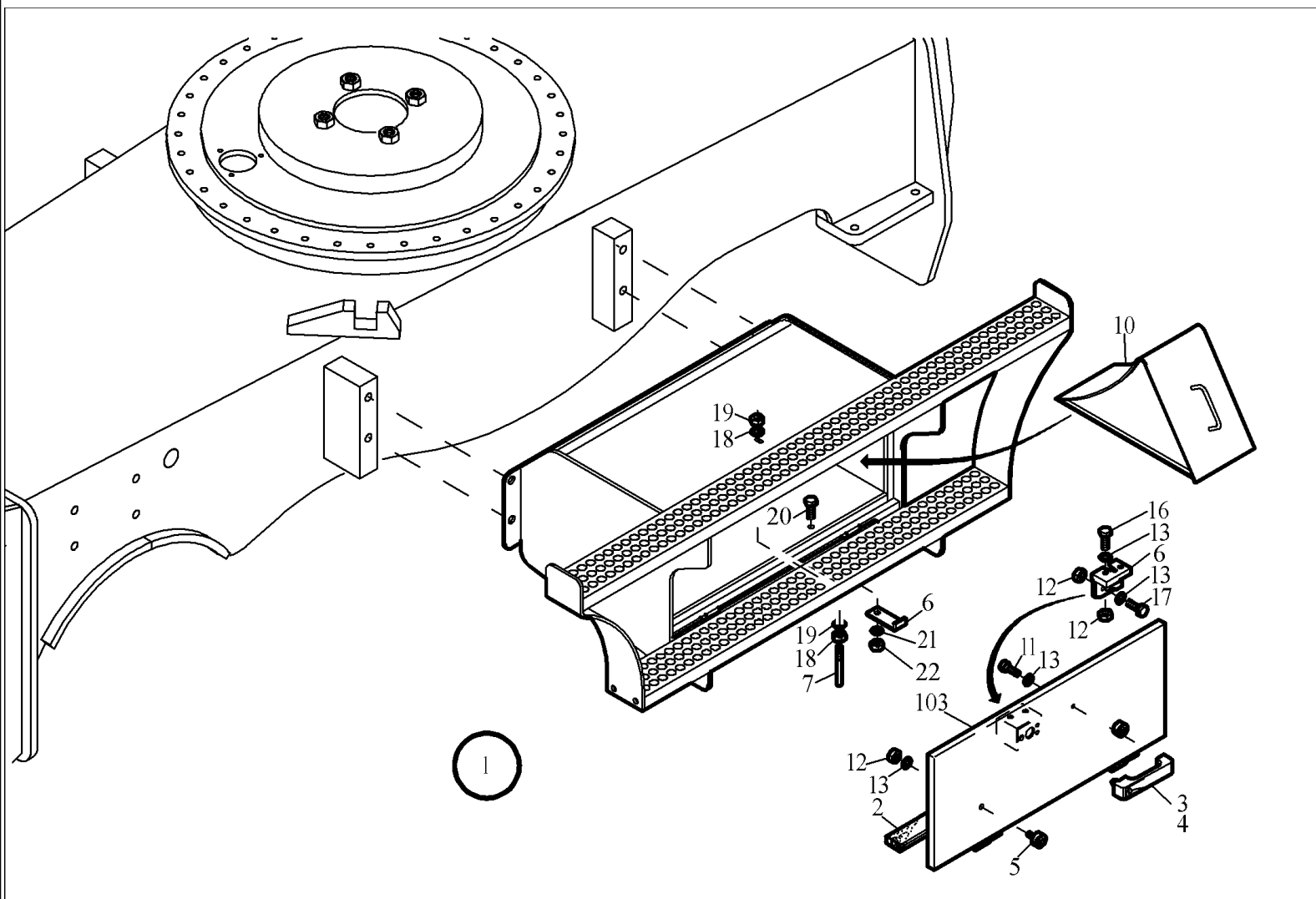
Ref	Part Number	Qty	Description
1	8902409	1	
2	8902406	1	
3	627-10025	2	



WX165 WHEELED EXCAVATOR (2/04-)

01.300(002) FRAME UPPER CARRIAGE WITH MOUNT. PARTS (S/N 471001-UP)

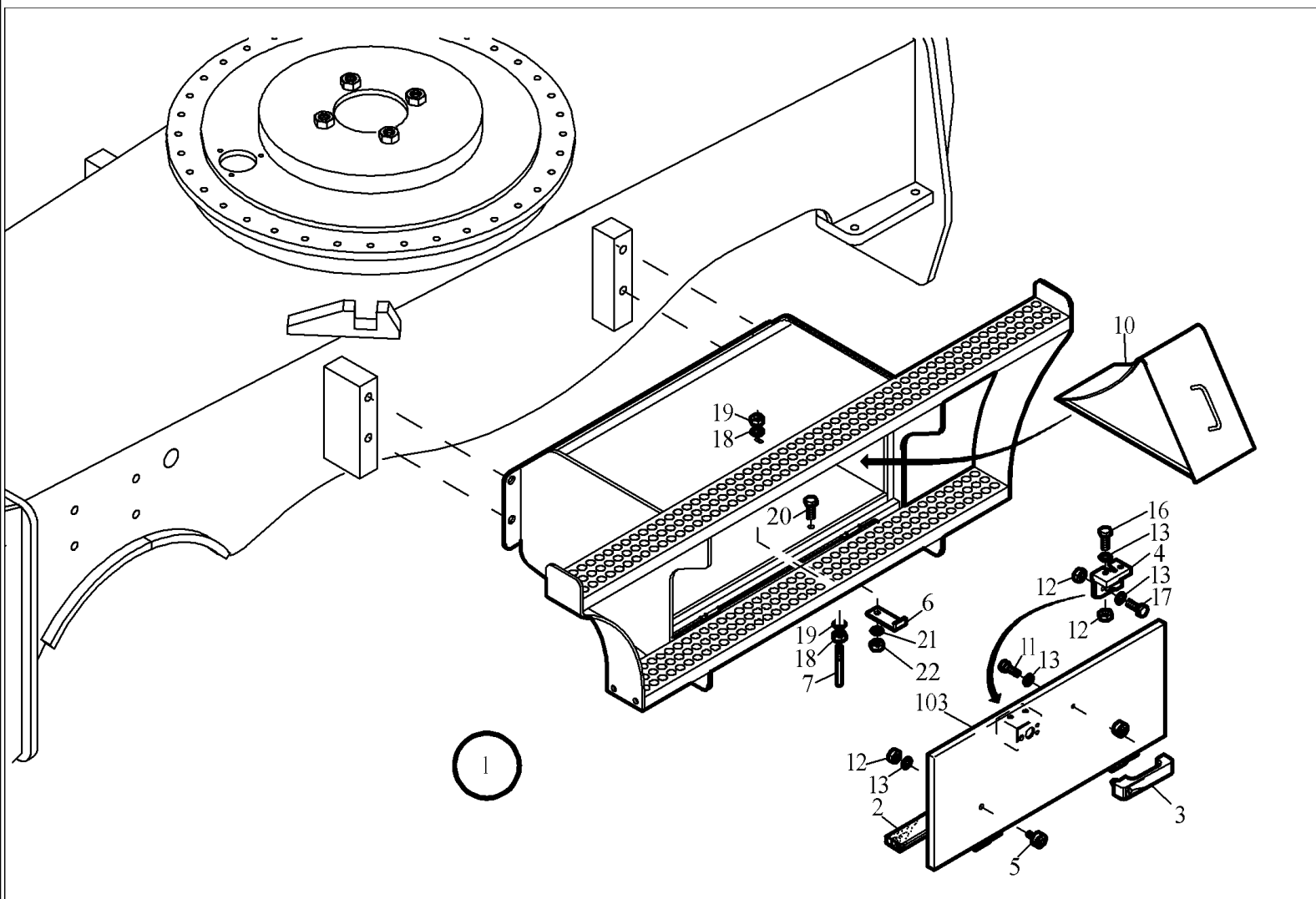
Ref	Part Number	Qty	Description
1	NS	1	SEE FIGURE 36.500/001
4	NS	2	SEE FIGURE 01.650/001
5	NS	1	SEE FIGURE 01.670/001
11	NS	1	SEE FIGURE 31.300/001
33	NS	1	SEE FIGURE 35.020/001
101	63519	3	
102	2929764	5	



WX165 WHEELED EXCAVATOR (2/04-)

01.620(001) FRAME TOOLBOX (S/N 471001-UP)

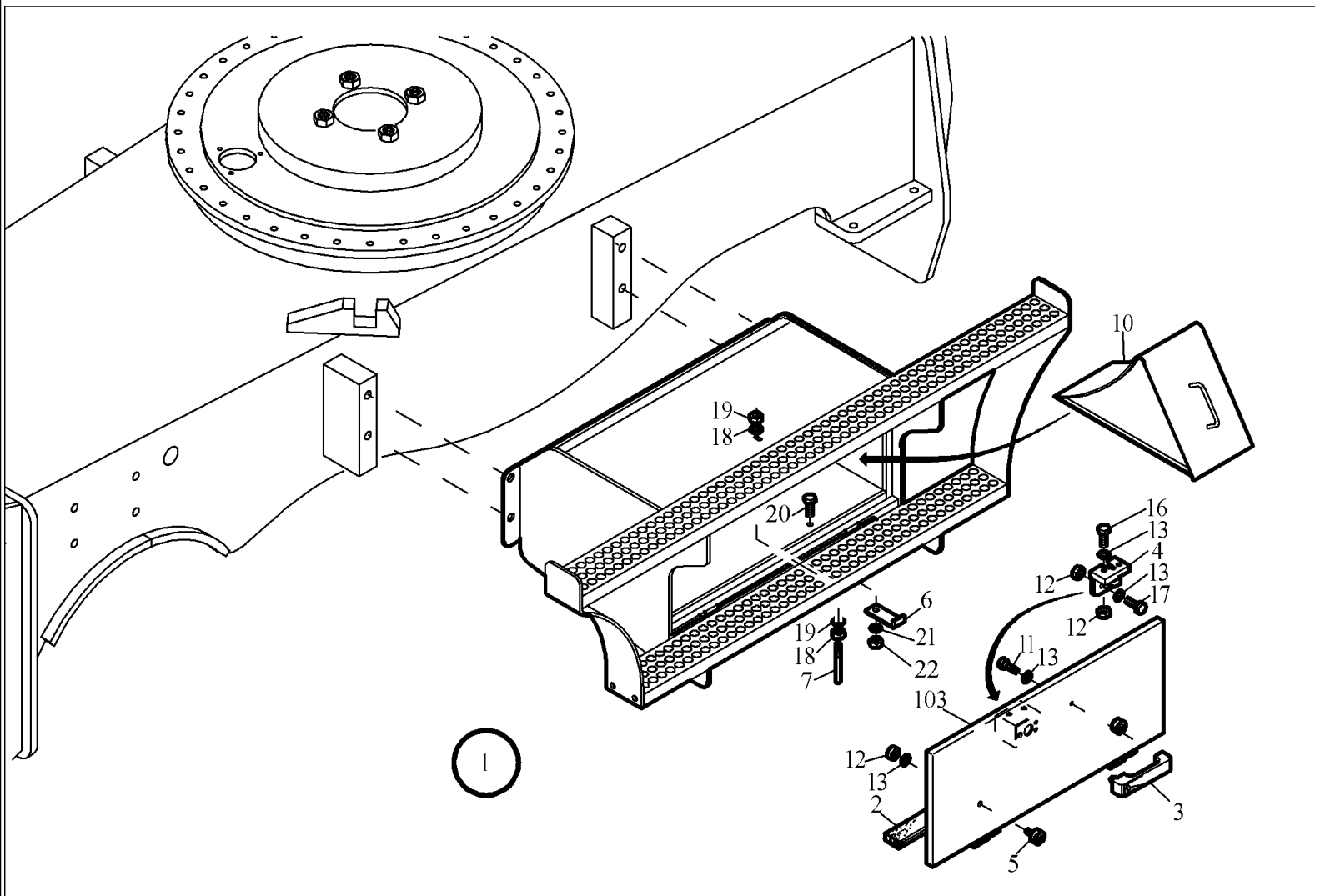
Ref	Part Number	Qty	Description
1	8914415	1	
2	1758070	AR	
3	2292135	1	
4	2292133	1	
5	1558667	2	
6	1188050	1	
7	8914423	1	
10	2186414	1	
11	378056	3	
12	9706755	6	
13	896-11006	9	
16	627-6030	2	Hex, M6 x 30, 10.9, Full Thd
17	614-6022	2	
18	2975160	2	
19	421003A1	2	
20	614-8020	1	
21	2975567	1	
22	420221A1	1	
103	1296565	1	



WX165 WHEELED EXCAVATOR (2/04-)

01.620(002) FRAME TOOLBOX (S/N 471014-UP)

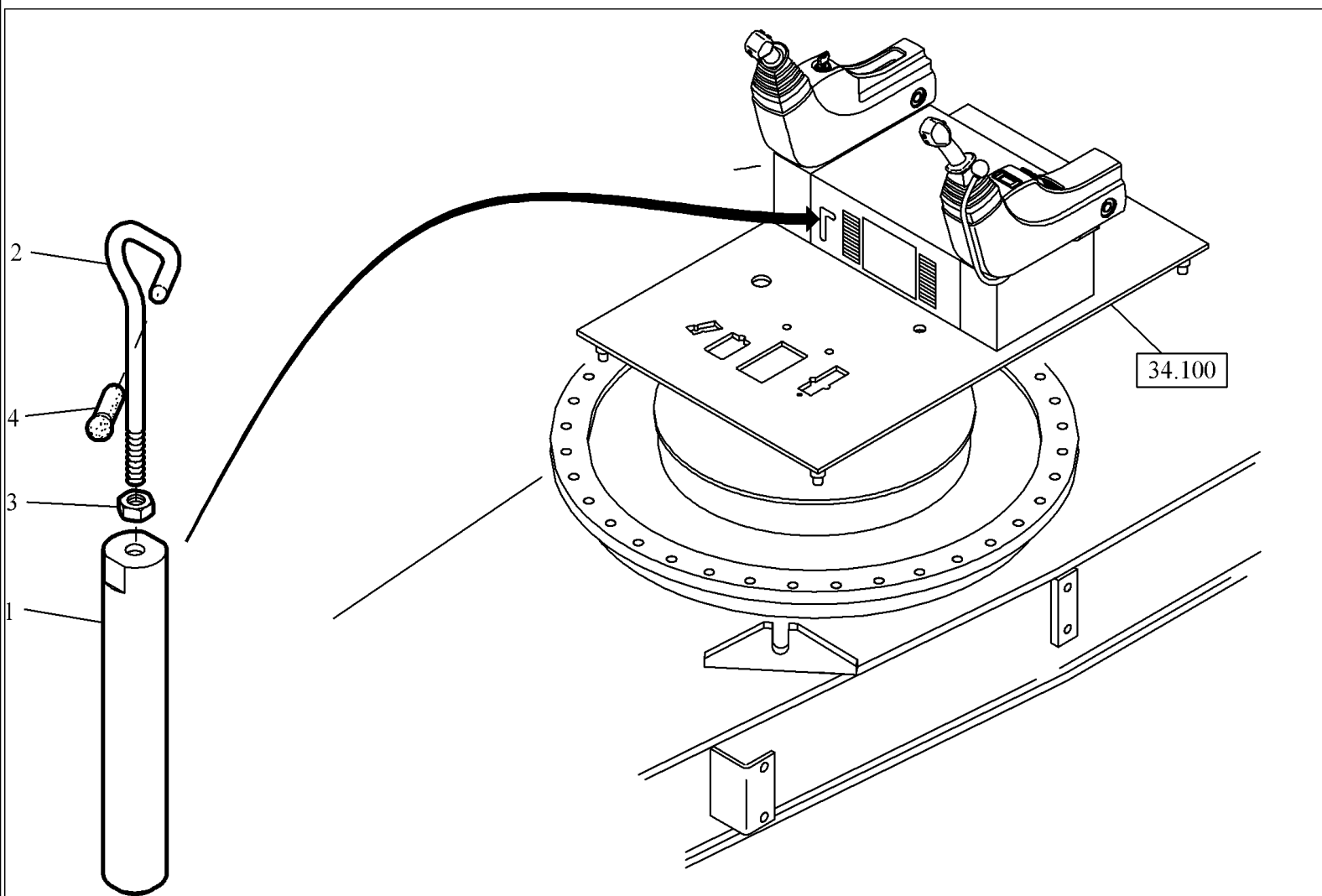
Ref	Part Number	Qty	Description
1	8918868	1	
2	1758070	AR	
3	2292135	1	
4	2292133	1	
5	1558667	2	
6	1188050	1	
7	8914423	1	
10	2186414	1	
11	378056	3	
12	9706755	6	
13	896-11006	9	
16	627-6030	2	Hex, M6 x 30, 10.9, Full Thd
17	614-6022	2	
18	2975160	2	
19	421003A1	2	
20	614-8020	1	
21	2975567	1	
22	420221A1	1	
103	1296565	1	



WX165 WHEELED EXCAVATOR (2/04-)

01.620(003) FRAME TOOLBOX (S/N 471017-UP)

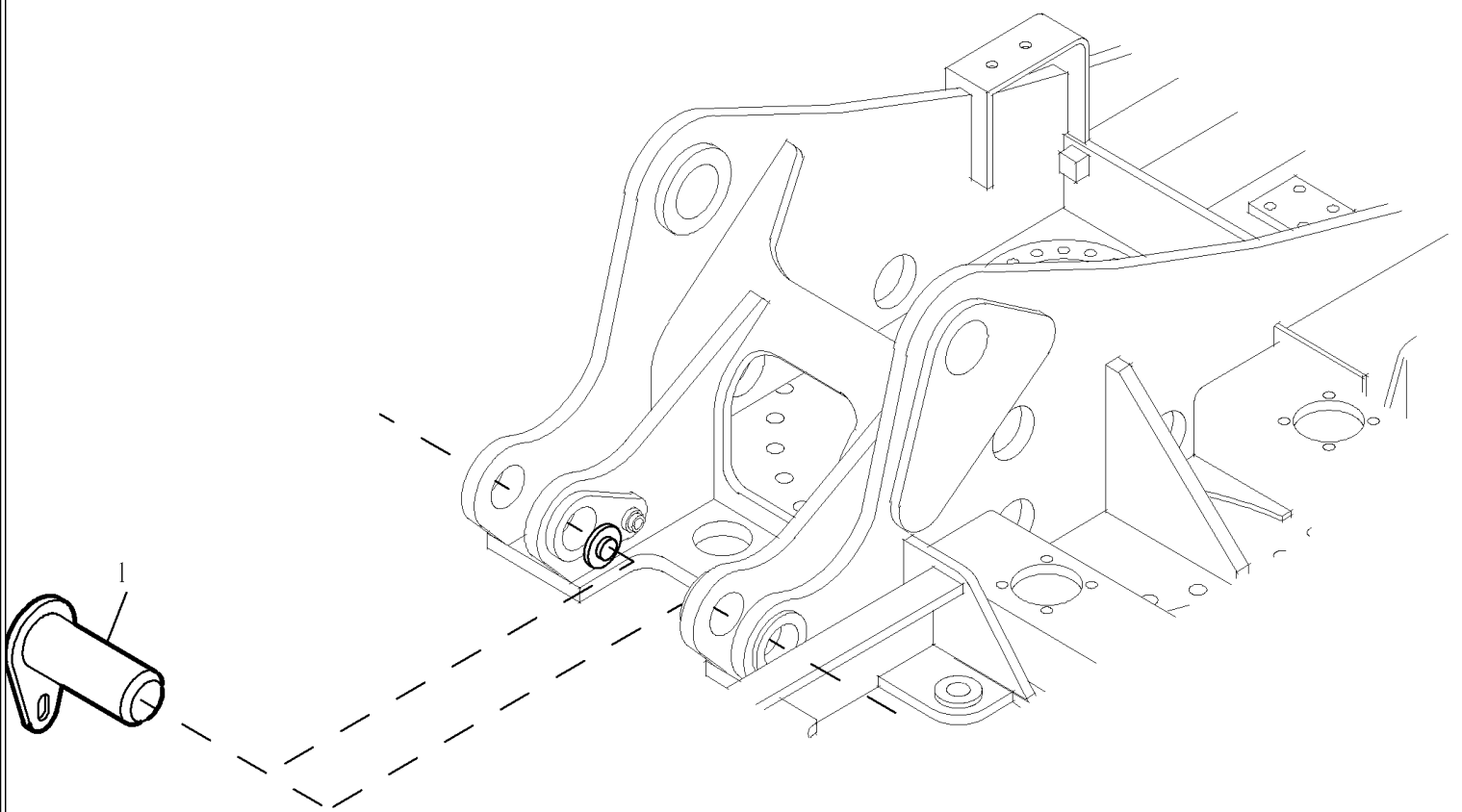
Ref	Part Number	Qty	Description
1	8919381	1	
2	1758070	AR	
3	2292135	1	
4	2292133	1	
5	1558667	2	
6	1188050	1	
7	8914423	1	
10	2186414	1	
11	378056	3	
12	9706755	6	
13	896-11006	9	
16	627-6030	2	Hex, M6 x 30, 10.9, Full Thd
17	614-6022	2	
18	2975160	2	
19	421003A1	2	
20	614-8020	1	
21	2975567	1	
22	420221A1	1	



WX165 WHEELED EXCAVATOR (2/04-)

01.642(001) LOCKING DEVICE FRAME (S/N 471001-UP)

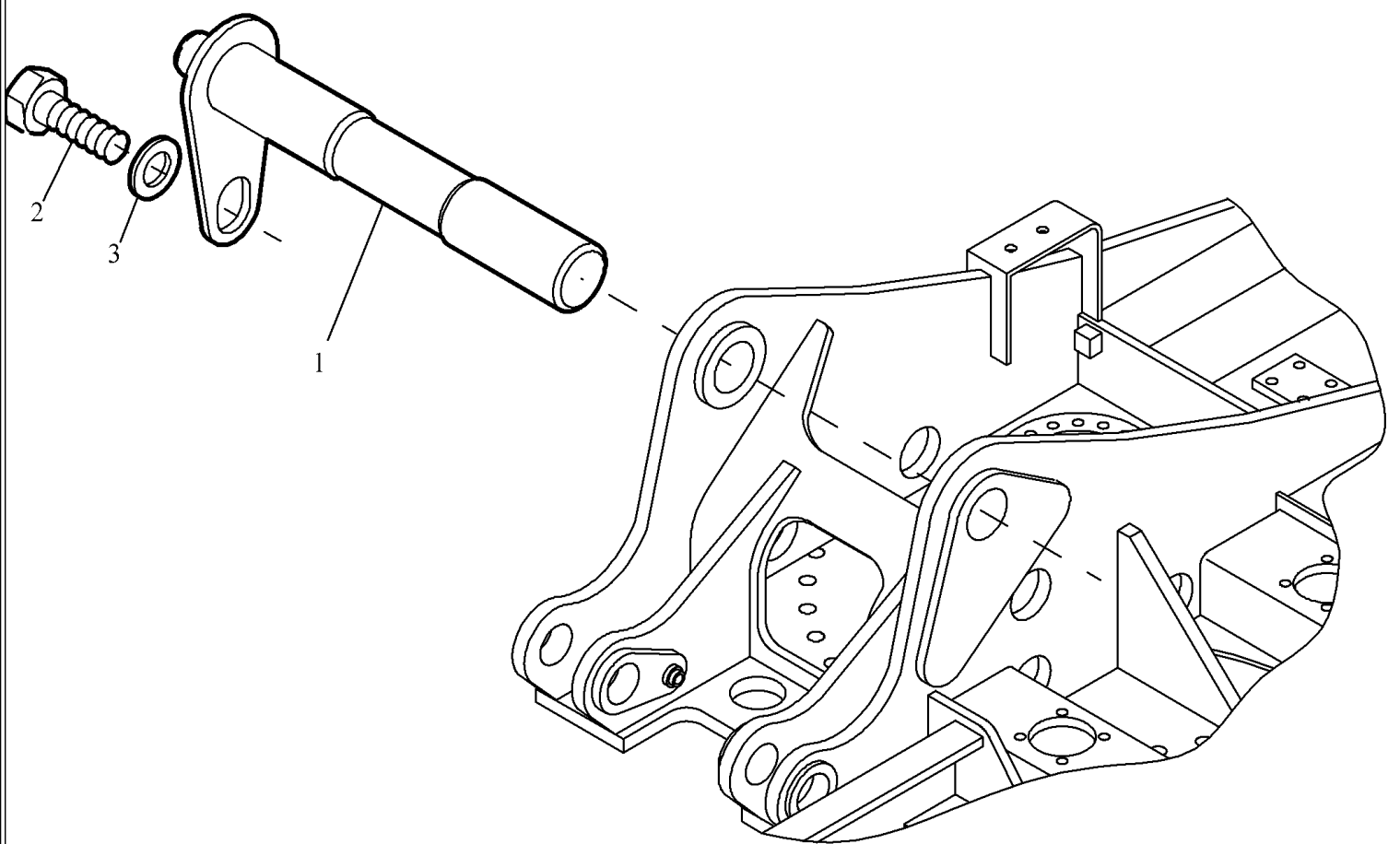
Ref	Part Number	Qty	Description
1	8914192	1	
2	8914190	1	
3	412672	1	
4	2479067	1	



WX165 WHEELED EXCAVATOR (2/04-)

01.650(001) BEARING BOOM CYLINDERS (S/N 471001-UP)

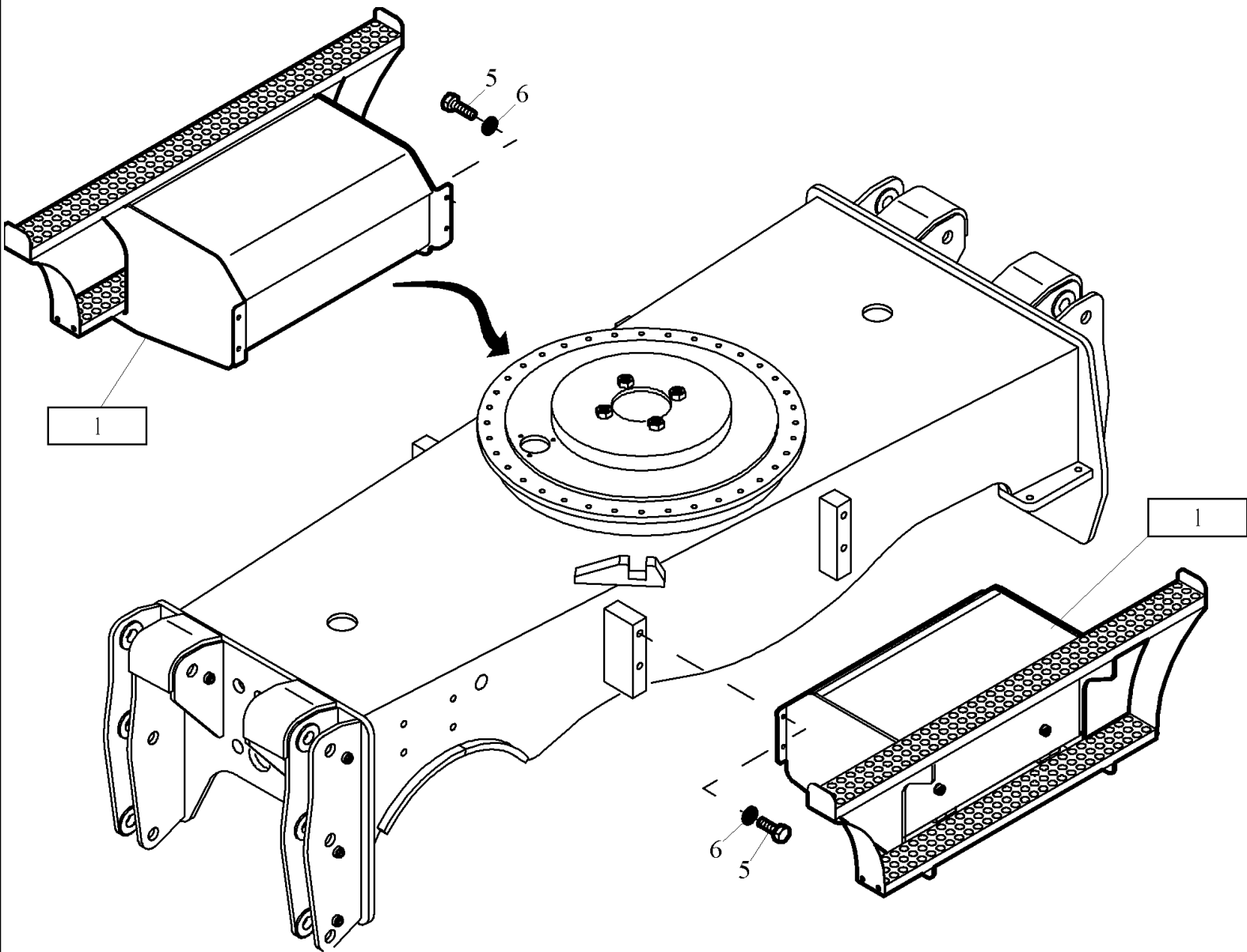
Ref	Part Number	Qty	Description
1	8901642	1	



WX165 WHEELED EXCAVATOR (2/04-)

01.670(001) BEARING BOOM (S/N 471001-UP)

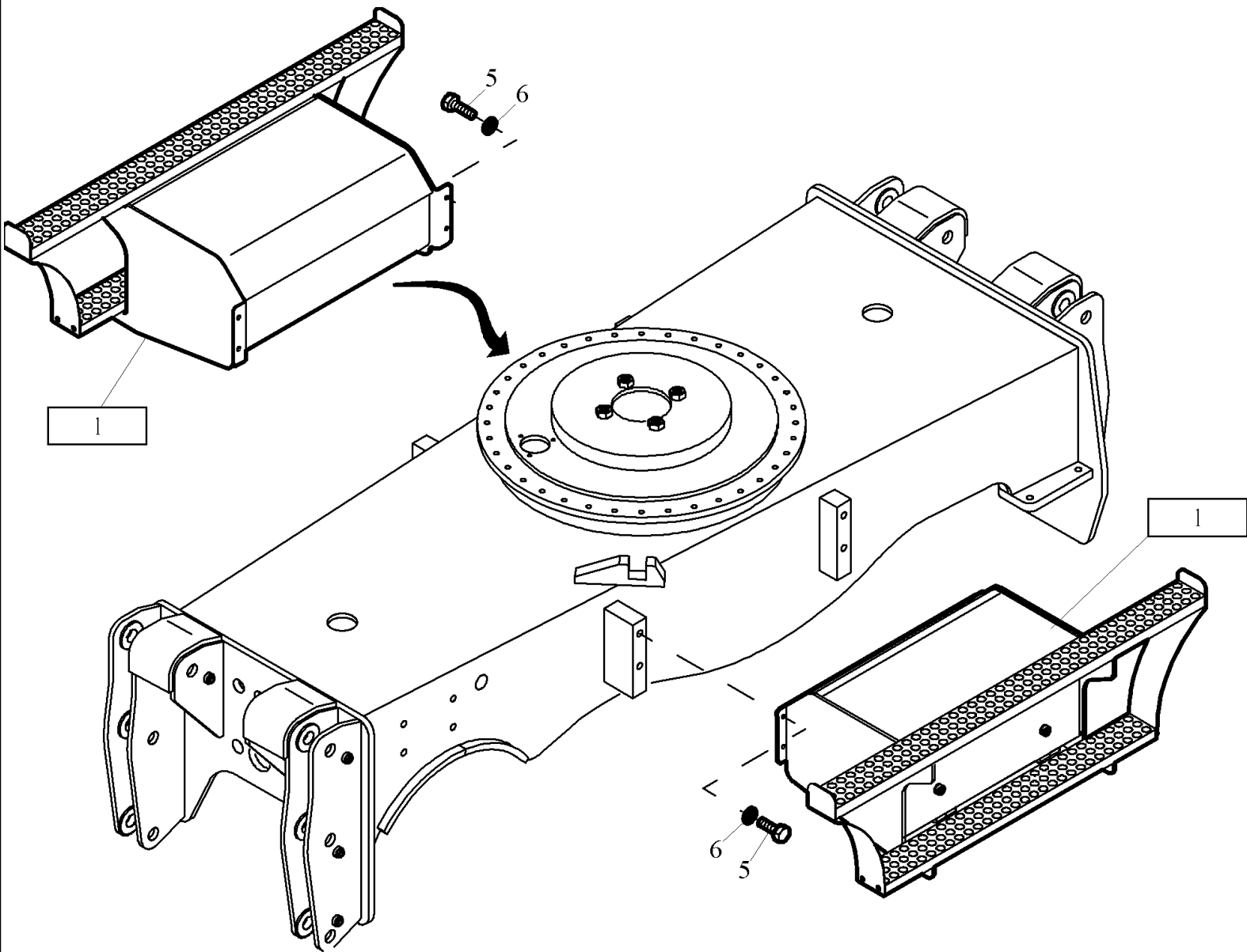
Ref	Part Number	Qty	Description
1	8915098	1	
2	2977292	1	
3	2247486	1	



WX165 WHEELED EXCAVATOR (2/04-)

01.810(001) STEPS INSTALL.MATERIAL (S/N 471001-471013)

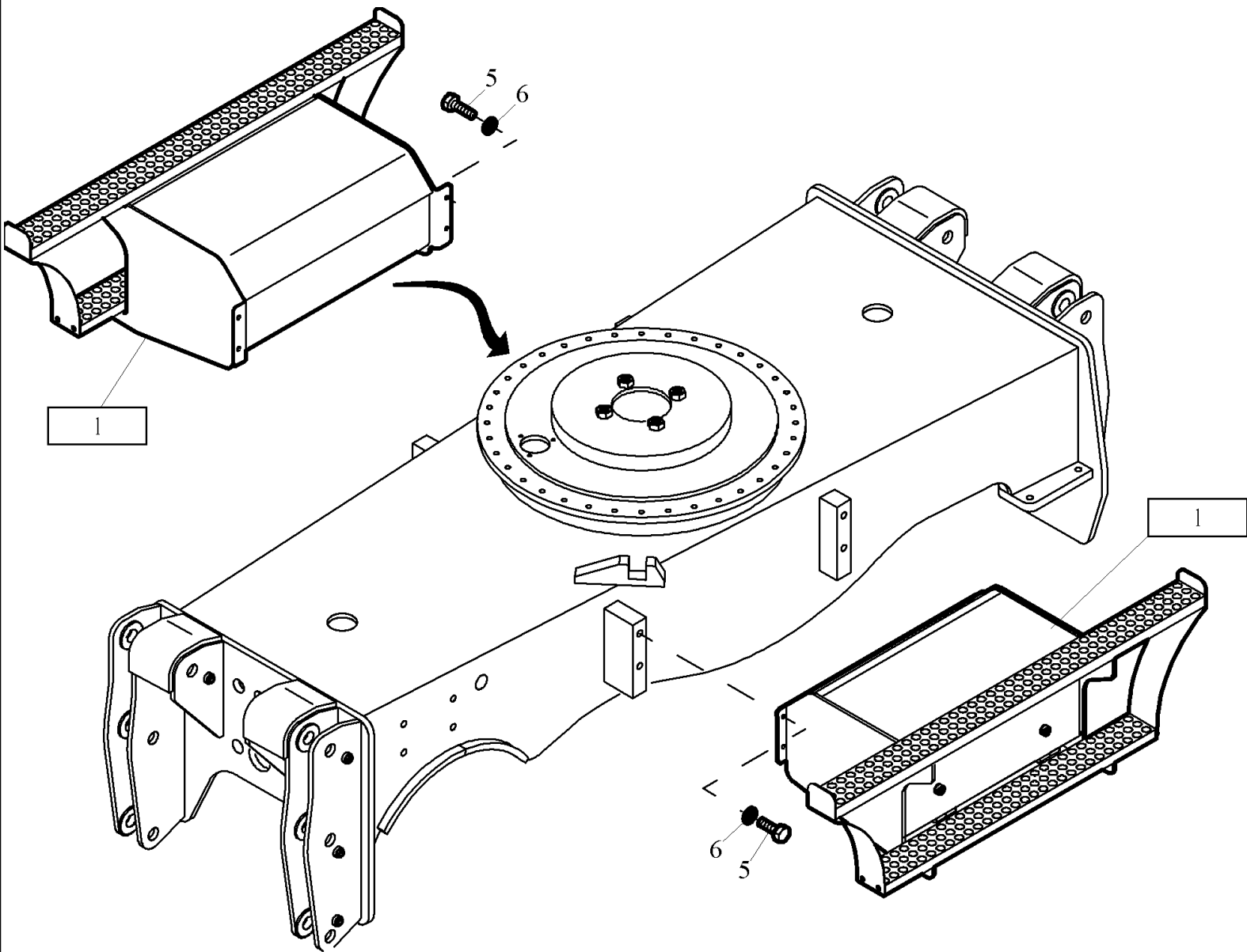
Ref	Part Number	Qty	Description
1	NS	2	SEE FIGURE 01.620/001
5	614-16030	8	
6	56922	8	



WX165 WHEELED EXCAVATOR (2/04-)

01.810(002) STEPS INSTALL.MATERIAL (S/N 471014-471016)

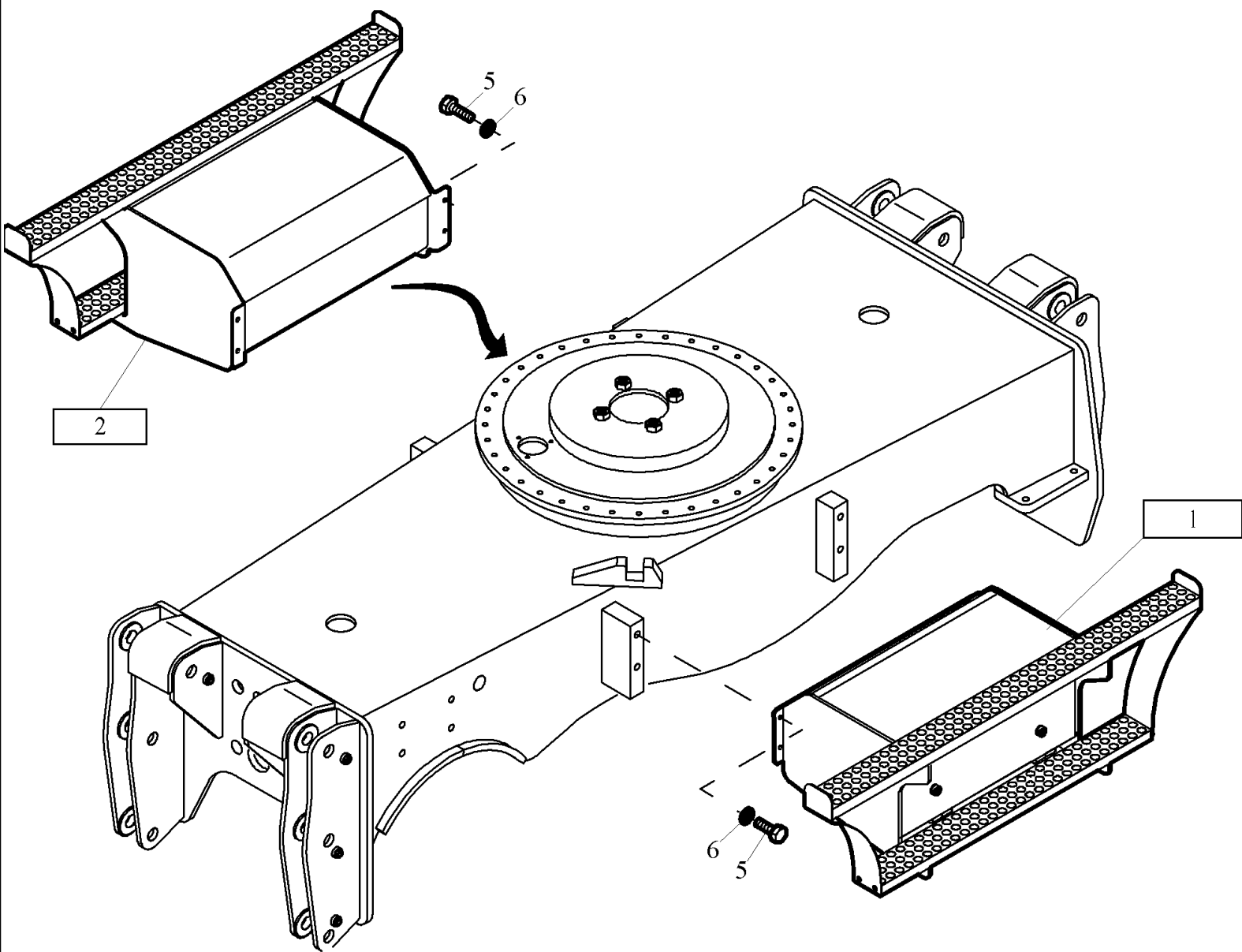
Ref	Part Number	Qty	Description
1	NS	2	SEE FIGURE 01.620/002
5	614-16030	8	
6	2974088	8	



WX165 WHEELED EXCAVATOR (2/04-)

01.810(003) STEPS INSTALL.MATERIAL (S/N 471017-471042)

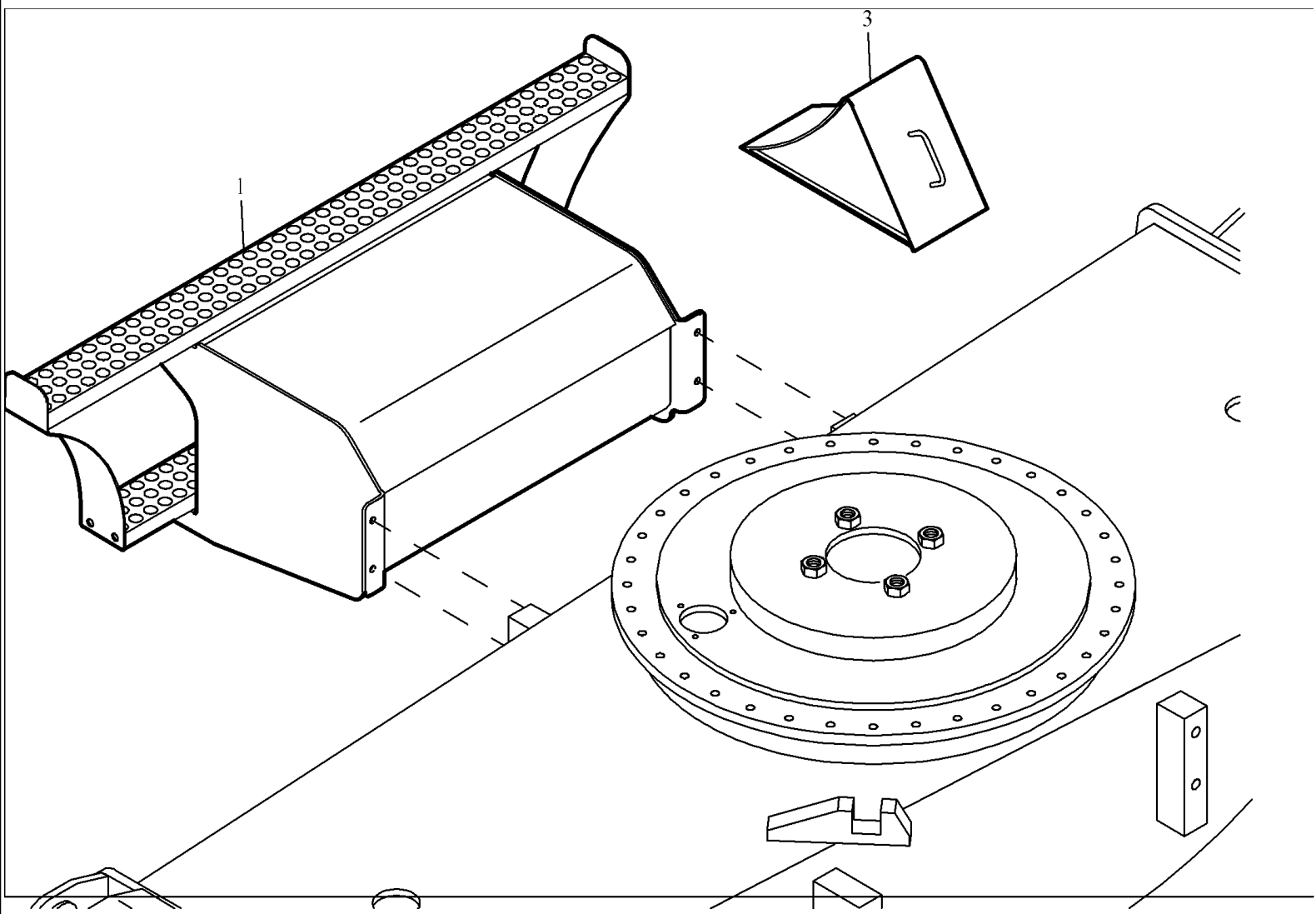
Ref	Part Number	Qty	Description
1	NS	2	SEE FIGURE 01.620/003
5	614-16030	8	
6	2974088	8	



WX165 WHEELED EXCAVATOR (2/04-)

01.810(004) STEPS INSTALL.MATERIAL (S/N 471043-UP)

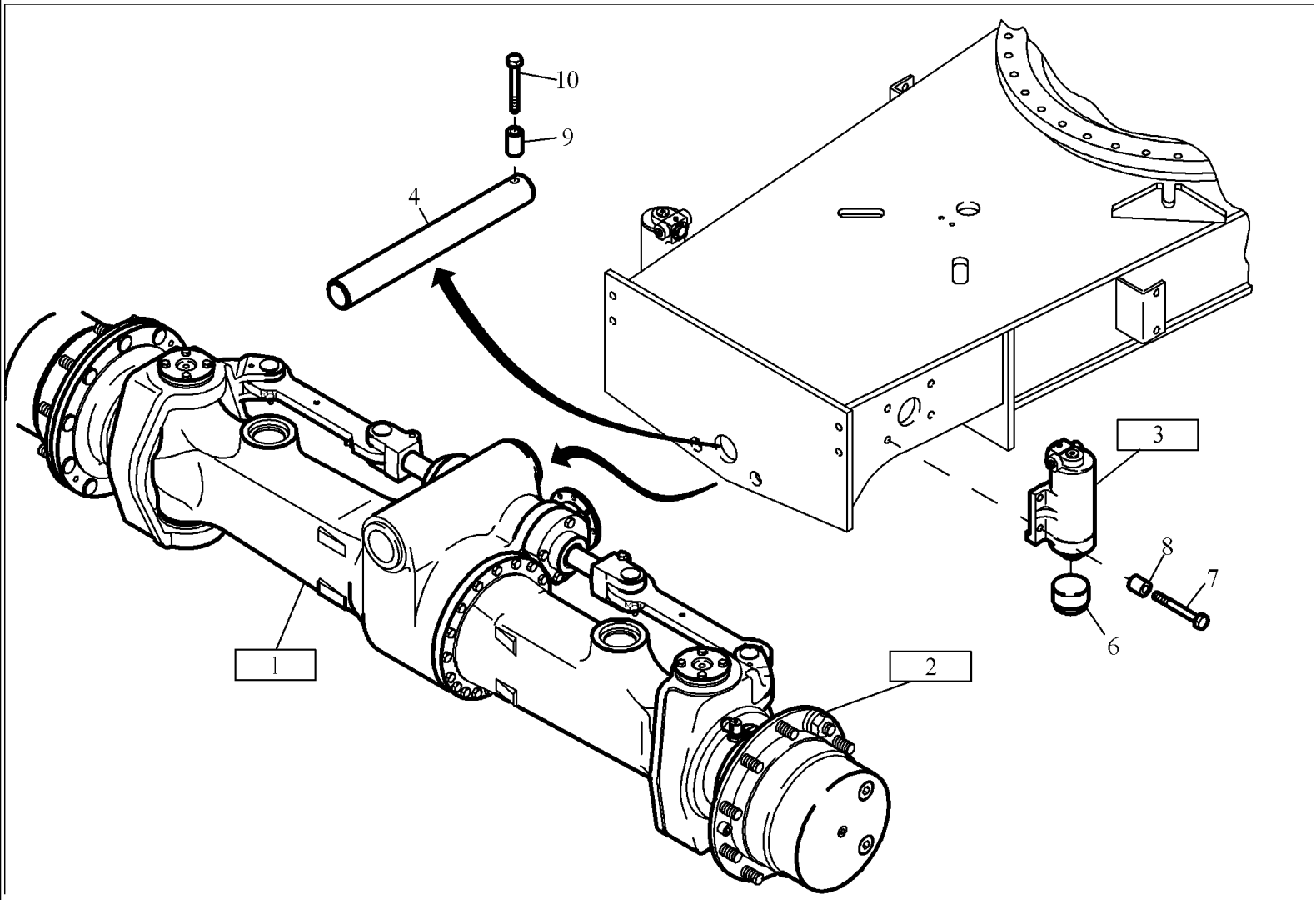
Ref	Part Number	Qty	Description
1	NS	1	SEE FIGURE 01.620/003
2	NS	1	SEE FIGURE 01.812/001
5	614-16030	8	
6	2974088	8	



WX165 WHEELED EXCAVATOR (2/04-)

01.812(001) STEPS COMPLETE (S/N 471043-UP)

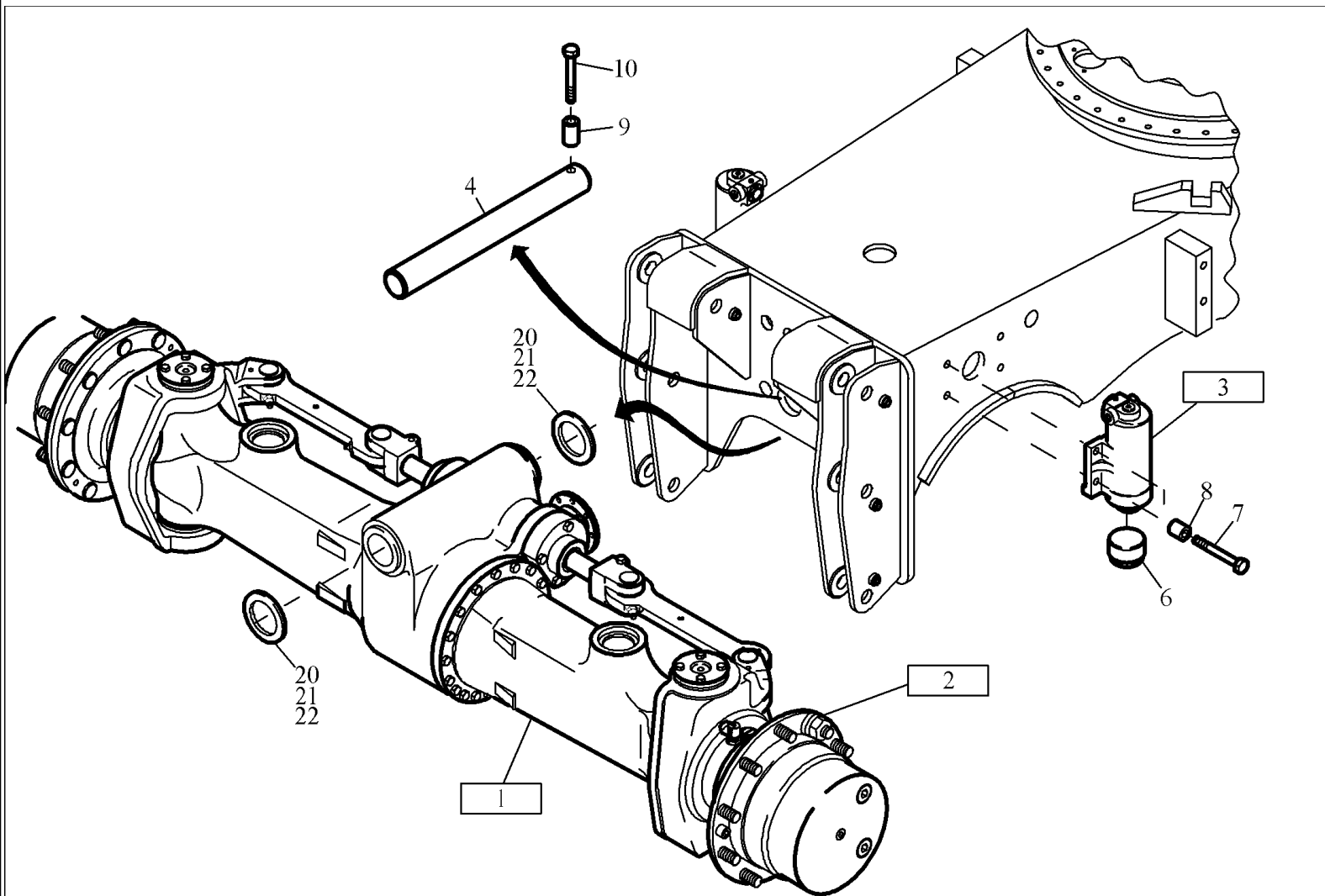
Ref	Part Number	Qty	Description
1	8919695	1	
3	2186414	1	



WX165 WHEELED EXCAVATOR (2/04-)

02.010(001) STEERING AXLE INSTALL.MATERIAL (S/N 471001-471013)

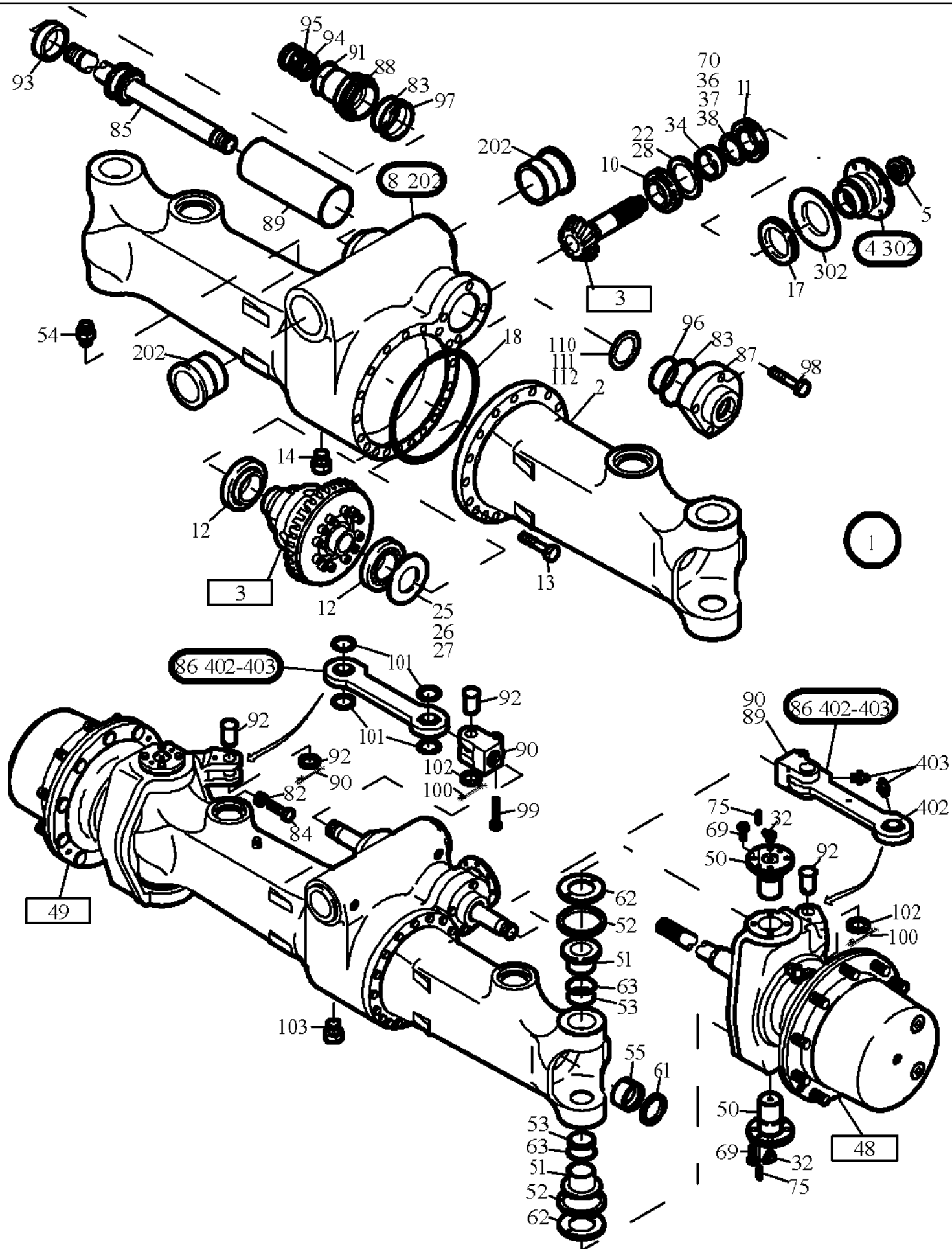
Ref	Part Number	Qty	Description
1	NS	1	SEE FIGURE 02.012/001
2	NS	1	SEE FIGURE 05.110/001
3	NS	2	SEE FIGURE 24.312/001
4	8910410	1	
6	1293436	2	
7	936954	8	
8	1295142	8	
9	2247485	1	
10	57068	1	



WX165 WHEELED EXCAVATOR (2/04-)

02.010(002) STEERING AXLE INSTALL.MATERIAL (S/N 471014-UP)

Ref	Part Number	Qty	Description
1	NS	1	SEE FIGURE 02.012/002
2	NS	1	SEE FIGURE 05.110/001
3	NS	2	SEE FIGURE 24.310/001
4	8910410	1	
6	1293436	2	
7	936954	8	
8	1295142	8	
9	2247485	1	
10	57068	1	
20	3032018	AR	
21	3032019	AR	
22	3032020	AR	



WX165 WHEELED EXCAVATOR (2/04-)

02.012(001) STEERING AXLE (S/N 471001-471013)

Ref	Part Number	Qty	Description
1	2809295	1	
2	2808411	1	
3	NS	1	SEE FIGURE 16.600/002
4	2808391	1	
5	1597982	1	
8	2809296	1	
10	44514	1	
11	157685	1	
12	11447	2	
13	301566	19	
14	424052A1	1	
15	424259A1	1	
17	2168639	1	
18	2900495	1	
22	2247515	AR	
23	2247516	AR	
25	2929286	AR	
26	2213390	AR	
27	2213391	AR	
28	2247523	AR	
32	933781R1	2	
34	1753662	1	
36	2929272	AR	
37	424002A1	AR	
38	424004A1	AR	
48	NS	1	SEE FIGURE 02.220/001
49	NS	1	SEE FIGURE 02.220/002
50	2809836	4	
51	2177375	4	
52	1584192	2	
53	1599563	4	
54	420326A1	1	
55	1709862	2	
61	2810205	2	
62	760987	4	
63	158085	4	
69	28729	16	
70	2213478	AR	
75	4921216	4	
82	825-1416	2	M16, CI 8
83	1740975	2	
84	1729612	2	
85	1929118	1	
86	1904365	2	
87	2177541	1	

WX165 WHEELED EXCAVATOR (2/04-)

02.012(001) STEERING AXLE (S/N 471001-471013)

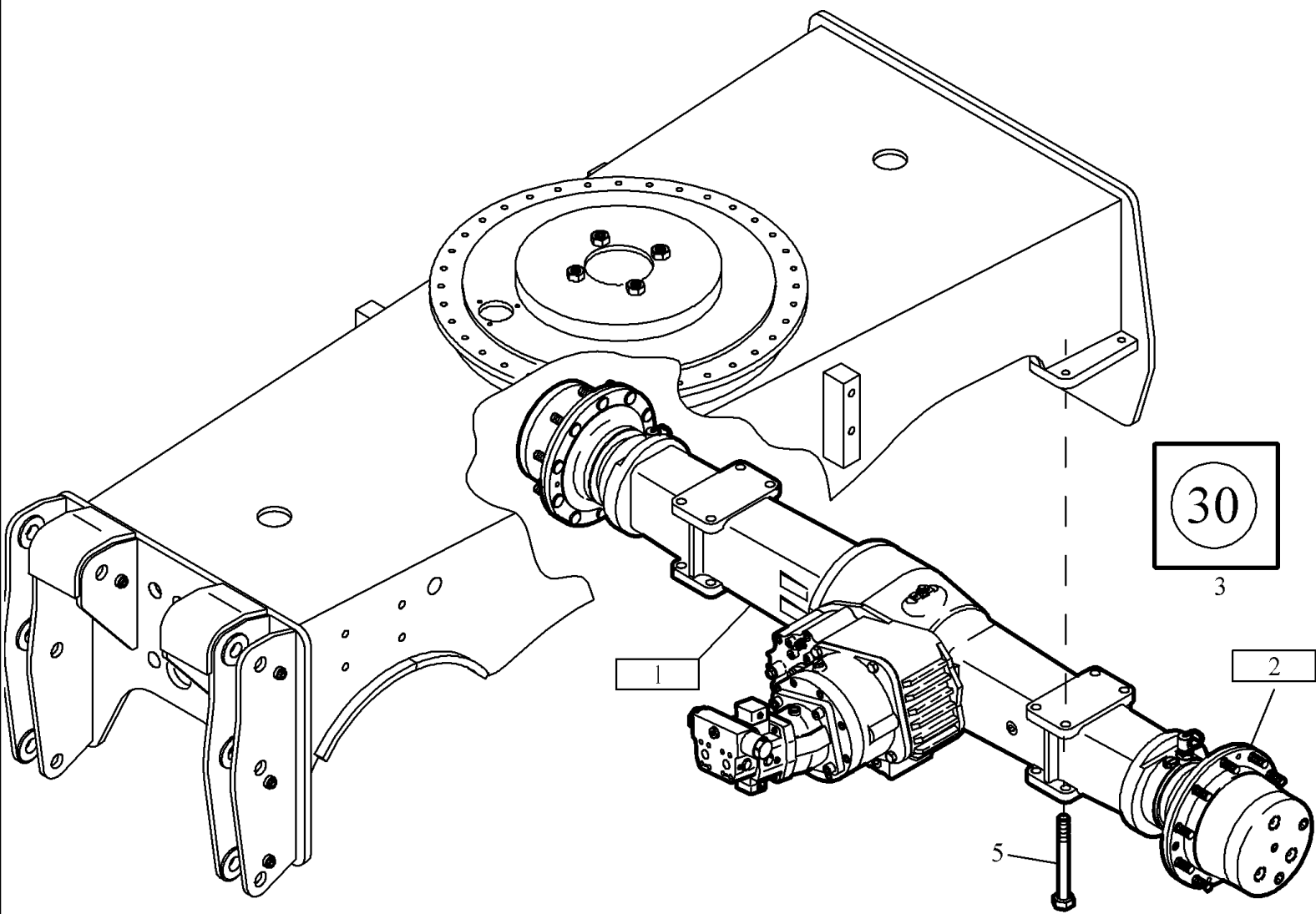
Ref	Part Number	Qty	Description
88	2177542	1	
89	1599558	1	
90	1599565	2	
91	4921215	2	
92	1904368	4	
93	1709859	1	
94	4921214	2	
95	420181A1	2	
96	43934	1	
97	243564	1	
98	118118	4	
99	1637759	2	
100	12735	4	
101	591361	16	
102	2973453	4	
103	420433A1	2	
110	1570594	AR	
111	1570593	AR	
112	1570589	AR	
202	1599537	2	
302	2807951	1	
402	1520880	2	
403	2973067	2	

Art not available

WX165 WHEELED EXCAVATOR (2/04-)

02.012(002) STEERING AXLE (S/N 471014-UP)

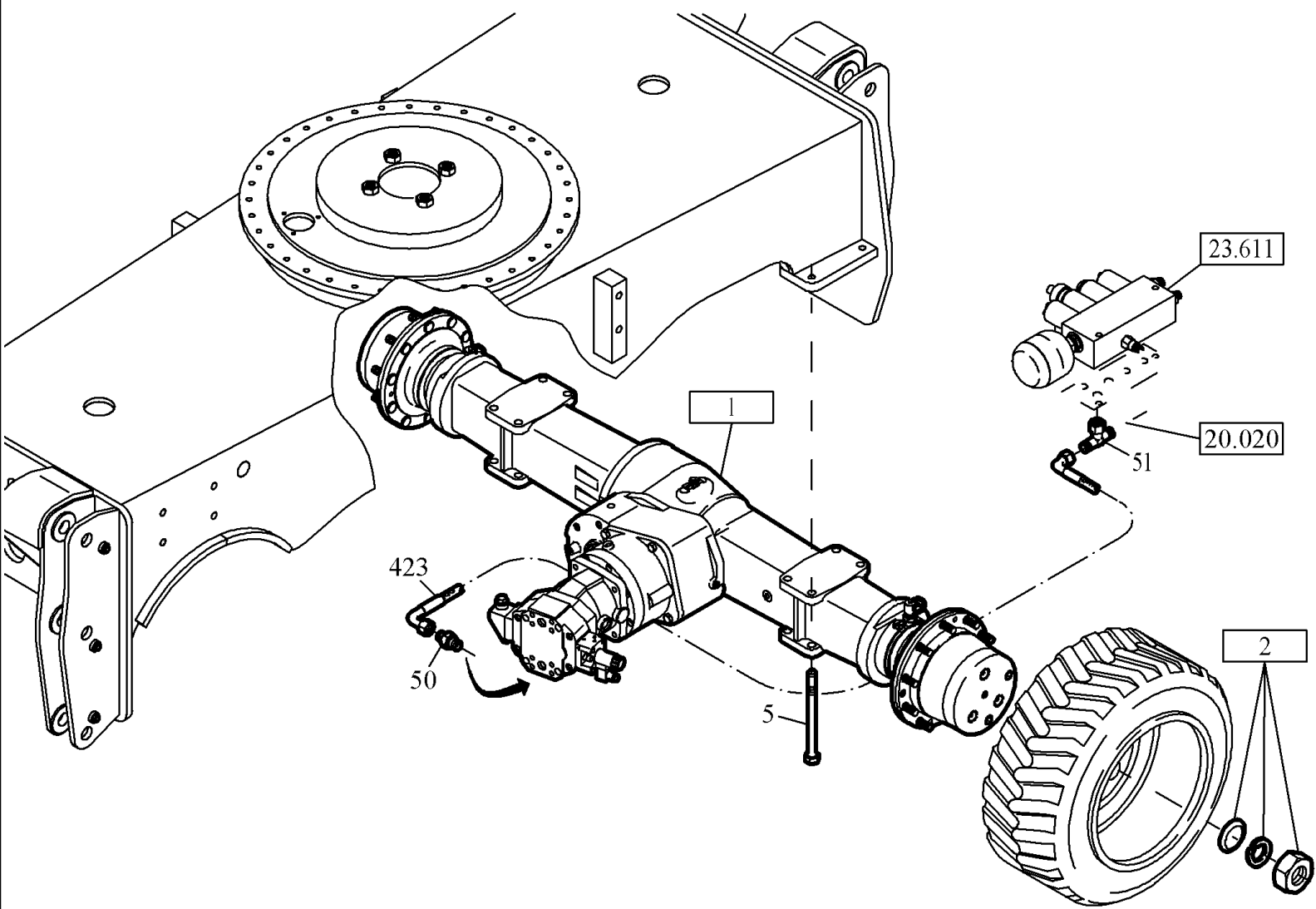
Ref	Part Number	Qty	Description
1	2815839	1	



WX165 WHEELED EXCAVATOR (2/04-)

02.060(001) RIGID AXLE INSTALL.MATERIAL 30KM/H (S/N 471001-471013)

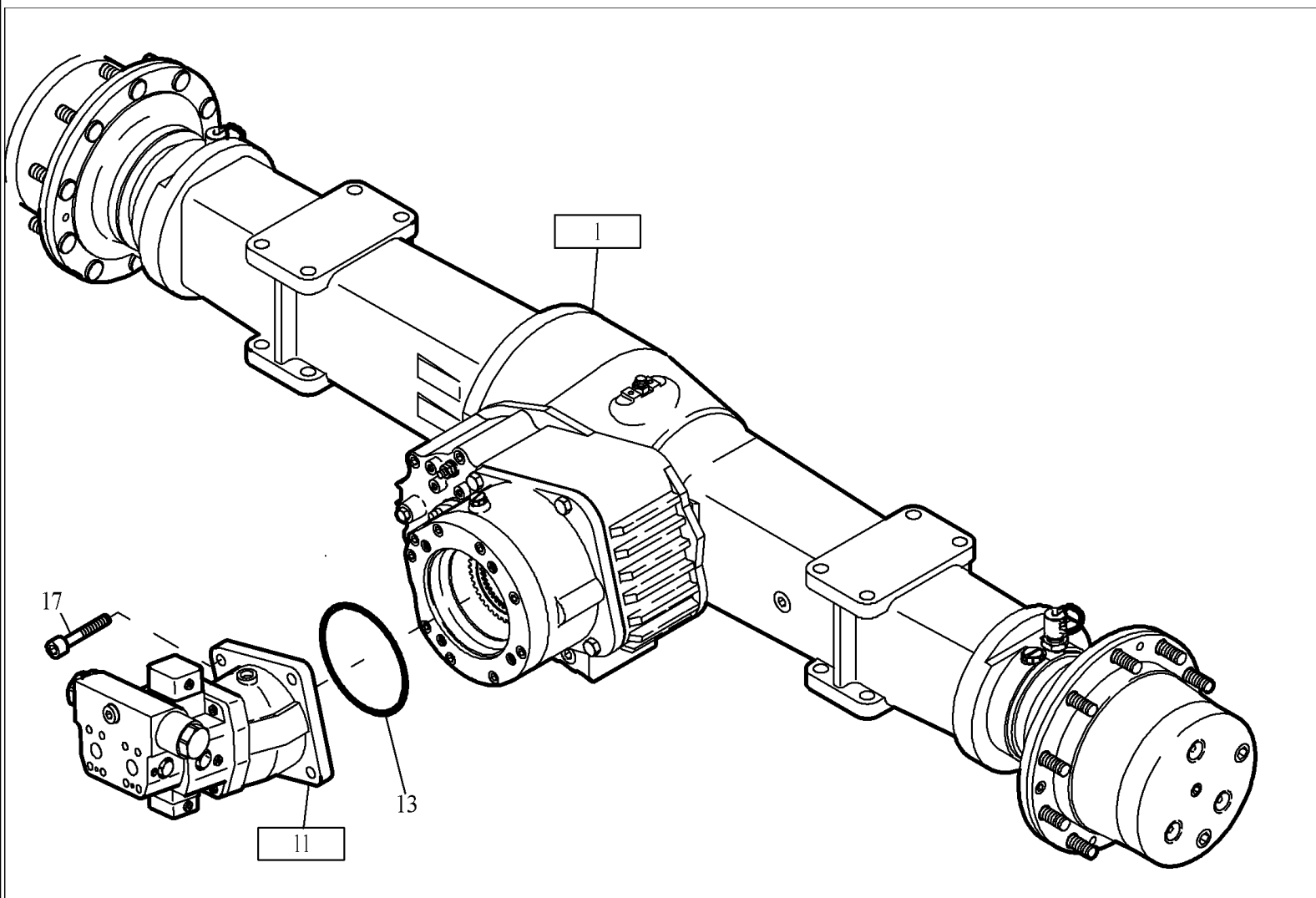
Ref	Part Number	Qty	Description
1	NS	1	SEE FIGURE 02.061/001
2	NS	1	SEE FIGURE 05.110/001
3	1288916	3	
5	251834	8	



WX165 WHEELED EXCAVATOR (2/04-)

02.060(002) RIGID AXLE INSTALL.MATERIAL (S/N 471014-UP)

Ref	Part Number	Qty	Description
1	NS	1	SEE FIGURE 02.061/002
2	NS	1	SEE FIGURE 05.110/001
5	782767	8	
50	420468A1	1	
51	420469A1	1	
423	8919203	1	



WX165 WHEELED EXCAVATOR (2/04-)

02.061(001) RIGID AXLE MOUNTING PARTS 30KM/H (S/N 471001-471013)

Ref	Part Number	Qty	Description
1	NS	1	SEE FIGURE 02.062/001
11	NS	1	SEE FIGURE 22.120/001
13	2900488	1	
17	7832198	4	

BUY NOW

**Then Instant Download
the Complete Manual
Thank you very much!**