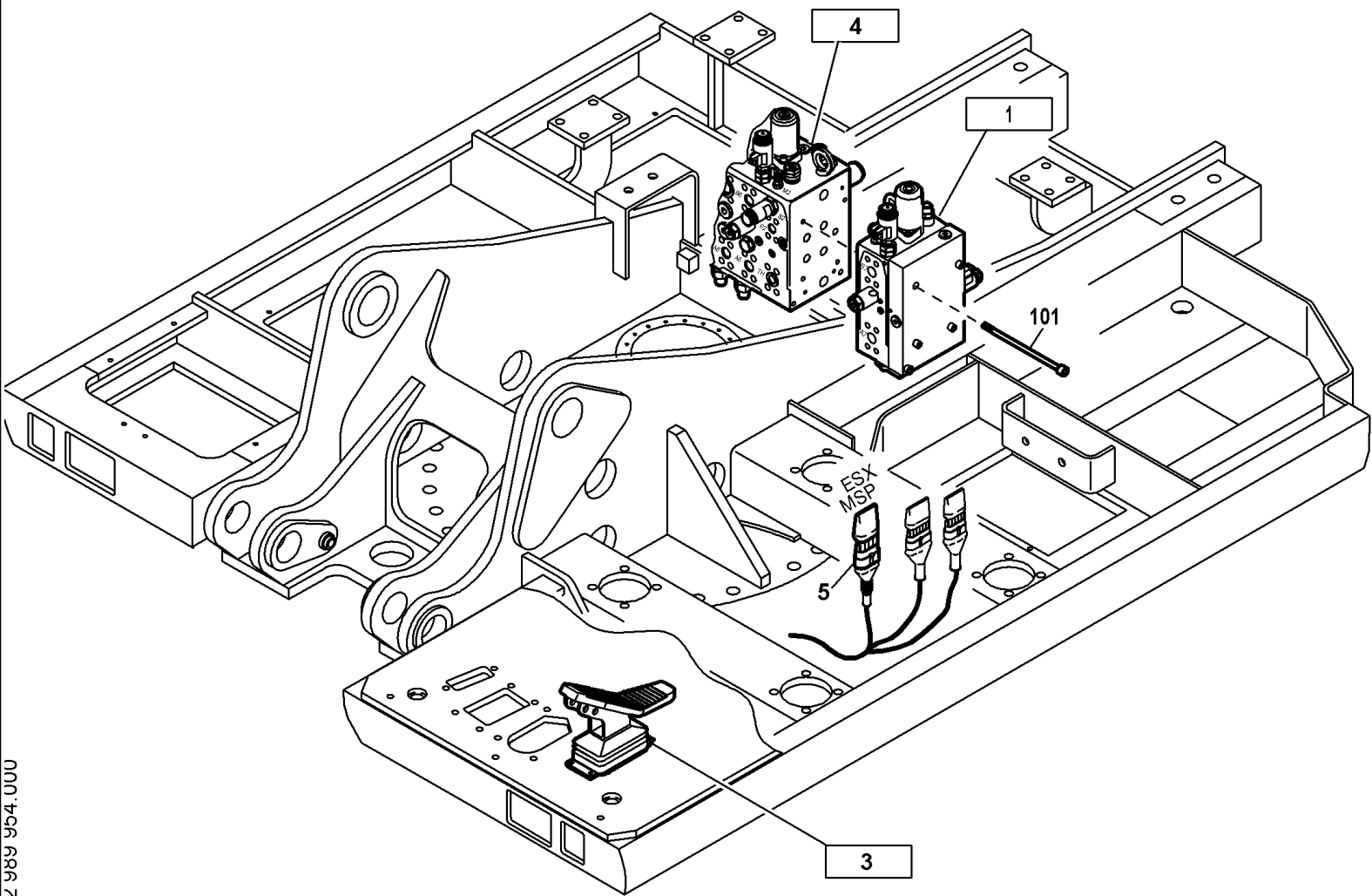




PARTS CATALOGUE

WX185
WHEELED EXCAVATOR

00.010



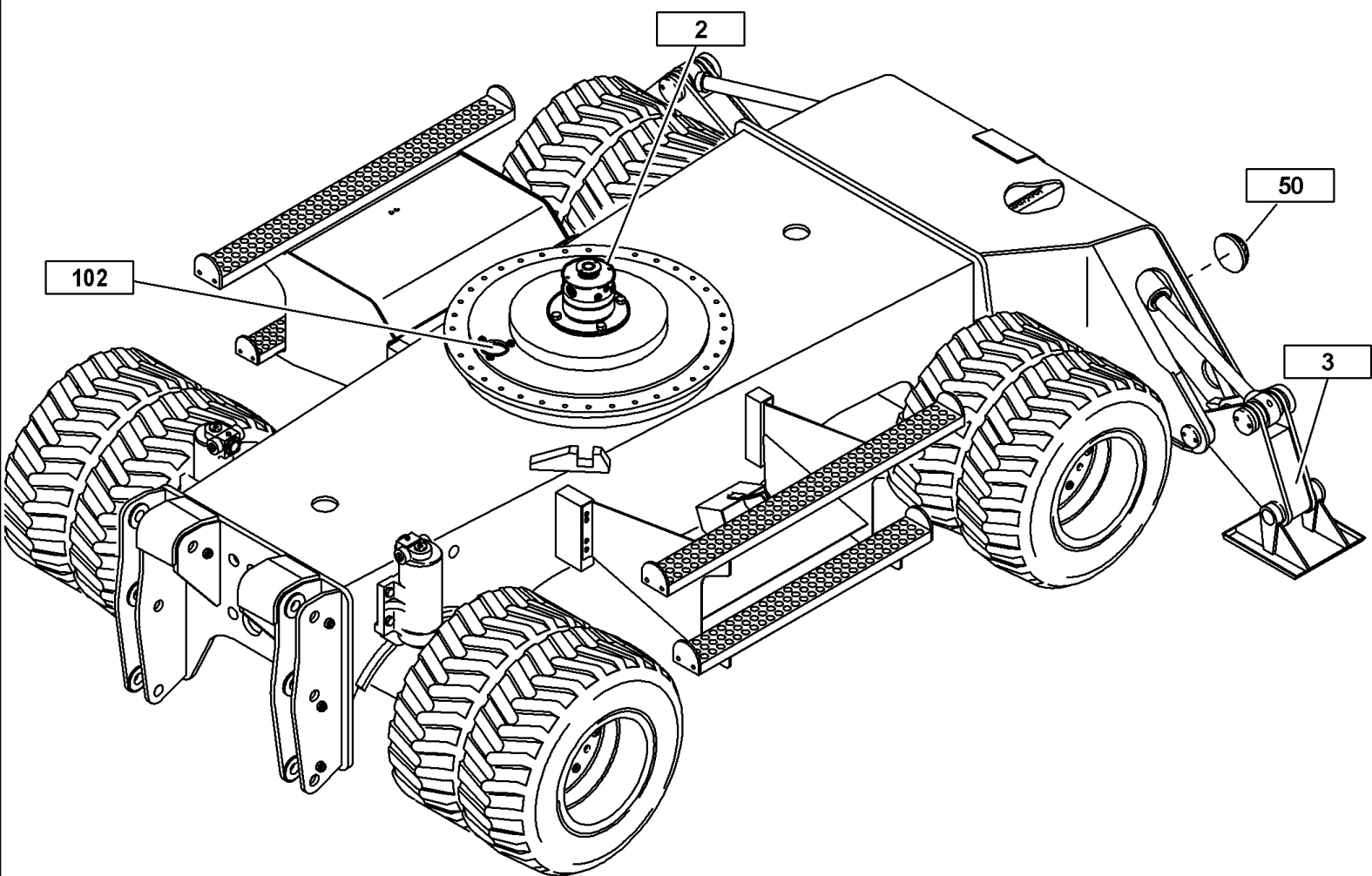
2 989 954 000

WX185 WHEELED EXCAVATOR (2/04-)

00.010(2989954000) CUSTOMER REQUEST

Ref	Part Number	Qty	Description
1	NS	1	CONTROL BLOCK OFFSET SEE FIGURE 23.612/2985097001
3	NS	1	CONTROL DEVICE INSTALL.MATERIAL SEE FIGURE 32.470/2985532000
4	NS	1	CONTROL BLOCK ZUSATZTEILE SEE FIGURE 23.612/2985097001
5	8916340	1	PLUG
101	2292572	5	CYL.HEAD SCREW
990	8921550		AR KIT
992	8914649		AR FASTENING

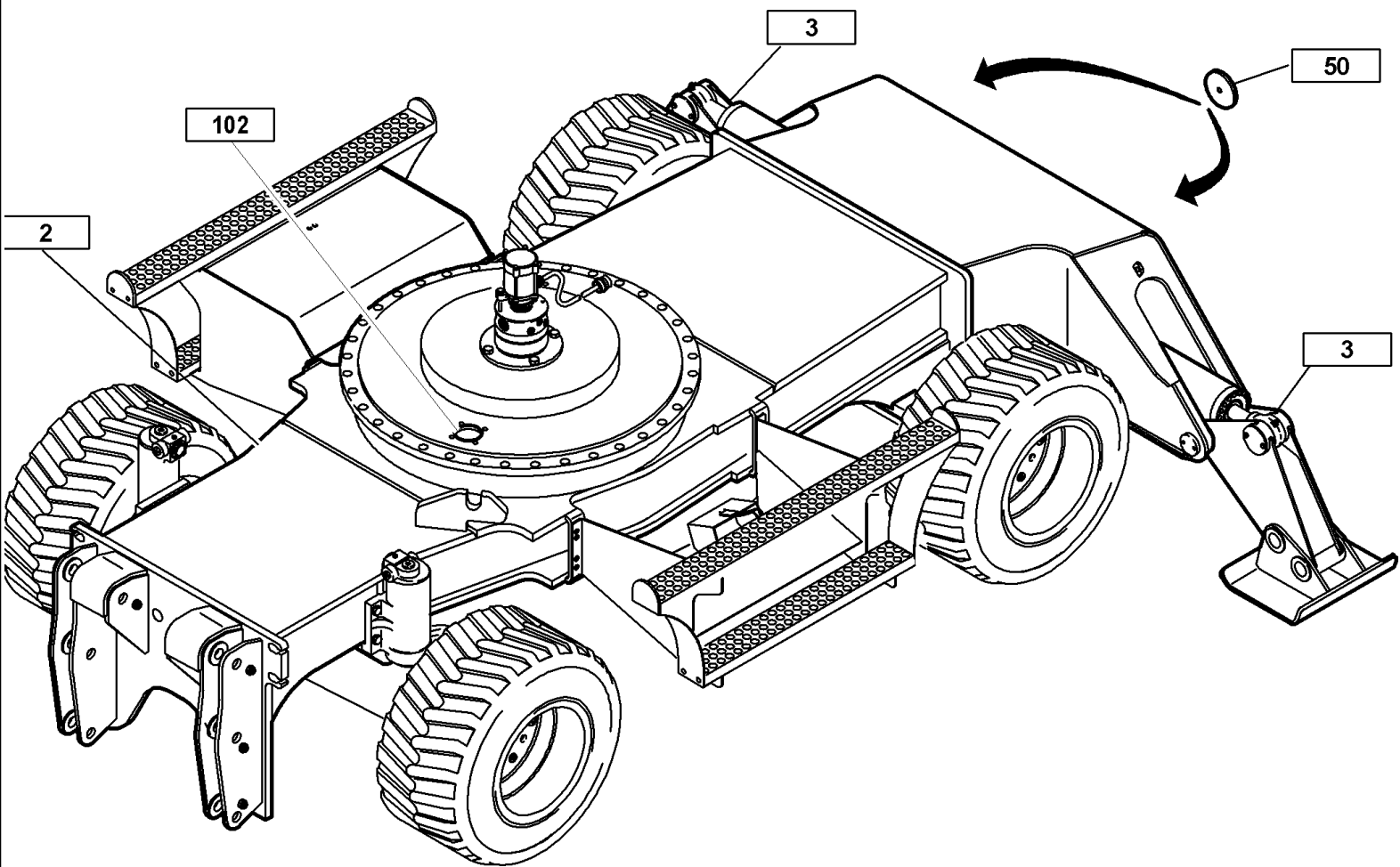
2992642



WX185 WHEELED EXCAVATOR (2/04-)

00.200(2986440000) LOWER CARRIAGE EXCAVATOR

Ref	Part Number	Qty	Description
2	NS	1	FRAME LOWER CARRIAGE WITH MOUNT. PARTS SEE FIGURE 01.200/2986439001
3	NS	1	SUPPORT INSTALL.MATERIAL SEE FIGURE 04.010/2984536002
50	NS	1	CATSEYE INSTALL.MATERIAL SEE FIGURE 35.050/1908959000
102	NS	1	FRAME LOWER CARRIAGE WITH MOUNT. PARTS SEE FIGURE 01.200/2984539000
990	8917312		AR LOWER CARRIAGE

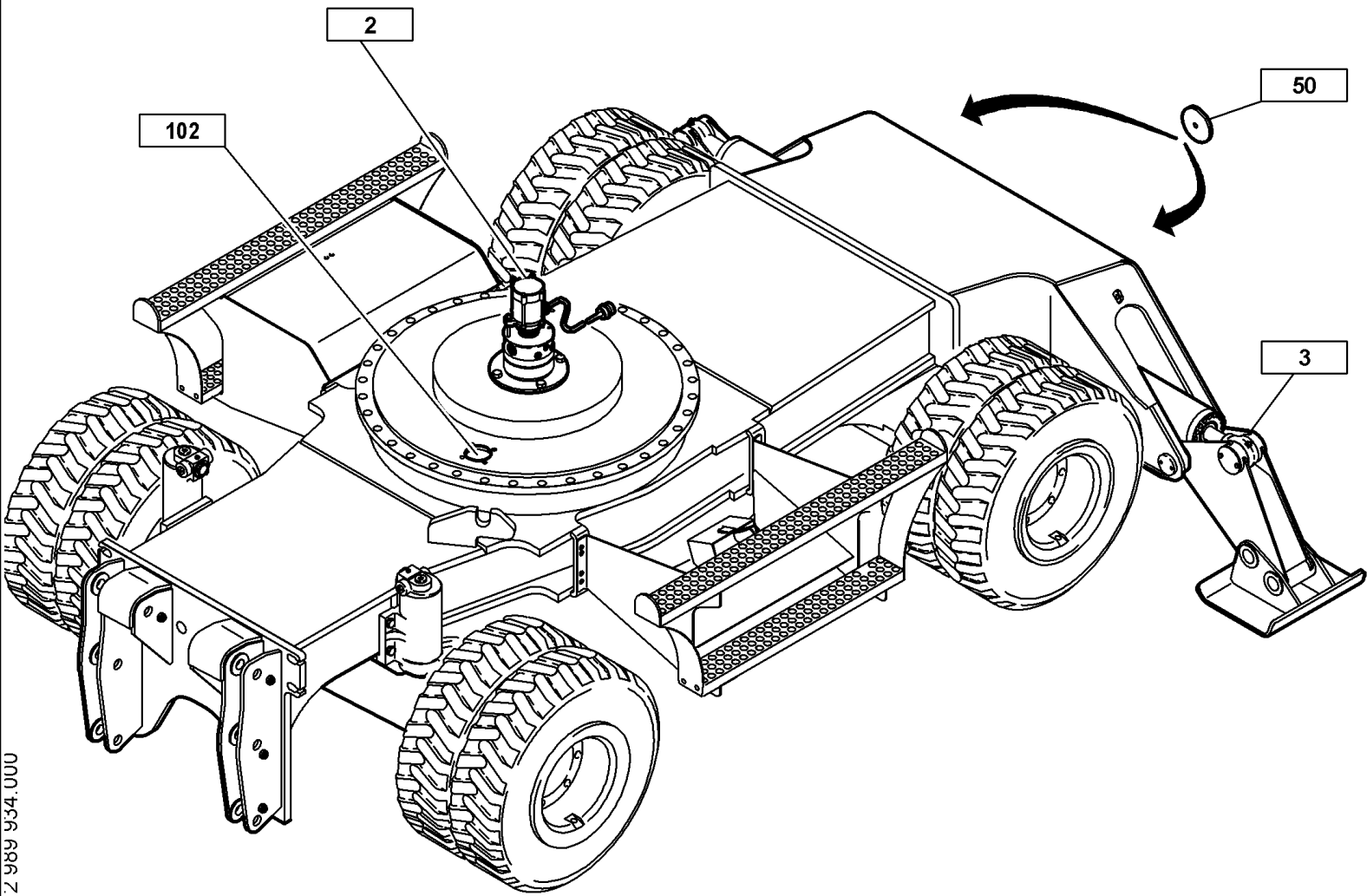


WX185 WHEELED EXCAVATOR (2/04-)

00.200(2988385000) LOWER CARRIAGE EXCAVATOR

Ref	Part Number	Qty	Description
2	NS	1	FRAME LOWER CARRIAGE WITH MOUNT. PARTS SEE FIGURE 01.200/2988384000
3	NS	1	SUPPORT SEE FIGURE 04.012/2987492002
50	NS	2	CATSEYE INSTALL.MATERIAL SEE FIGURE 35.050/1908959000
102	NS	1	FRAME LOWER CARRIAGE WITH MOUNT. PARTS SEE FIGURE 01.200/2984539000
990	8919666		AR LOWER CARRIAGE

00.200

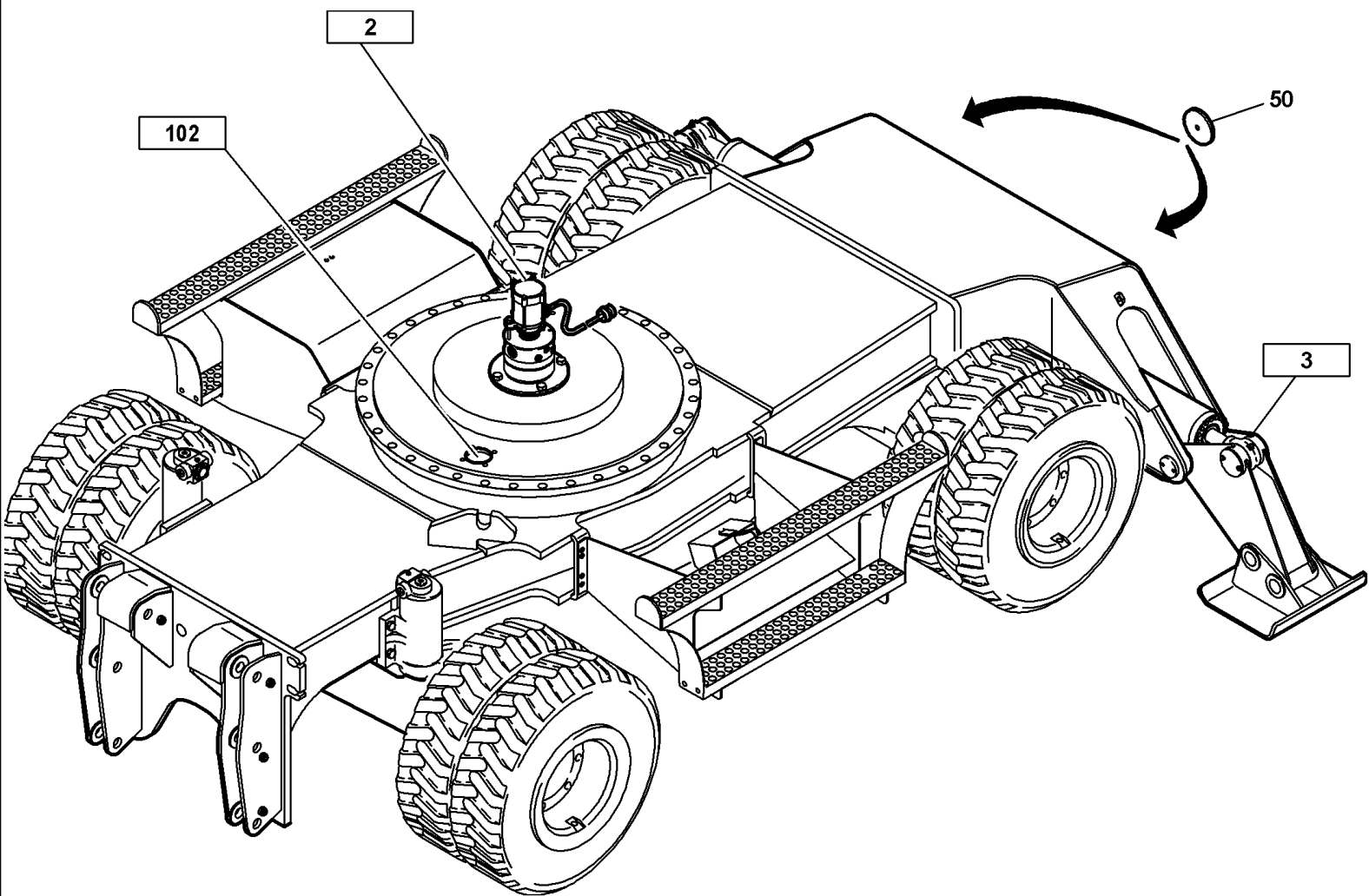


2 989 934 000

WX185 WHEELED EXCAVATOR (2/04-)

00.200(2989934000) LOWER CARRIAGE EXCAVATOR

Ref	Part Number	Qty	Description
2	NS	1	FRAME LOWER CARRIAGE WITH MOUNT. PARTS SEE FIGURE 01.200/2989932000
3	NS	1	SUPPORT SEE FIGURE 04.012/2987492002
50	NS	2	CATSEYE INSTALL.MATERIAL SEE FIGURE 35.050/1908959000
102	NS	1	FRAME LOWER CARRIAGE WITH MOUNT. PARTS SEE FIGURE 01.200/2984539000
990	8920184		AR LOWER CARRIAGE

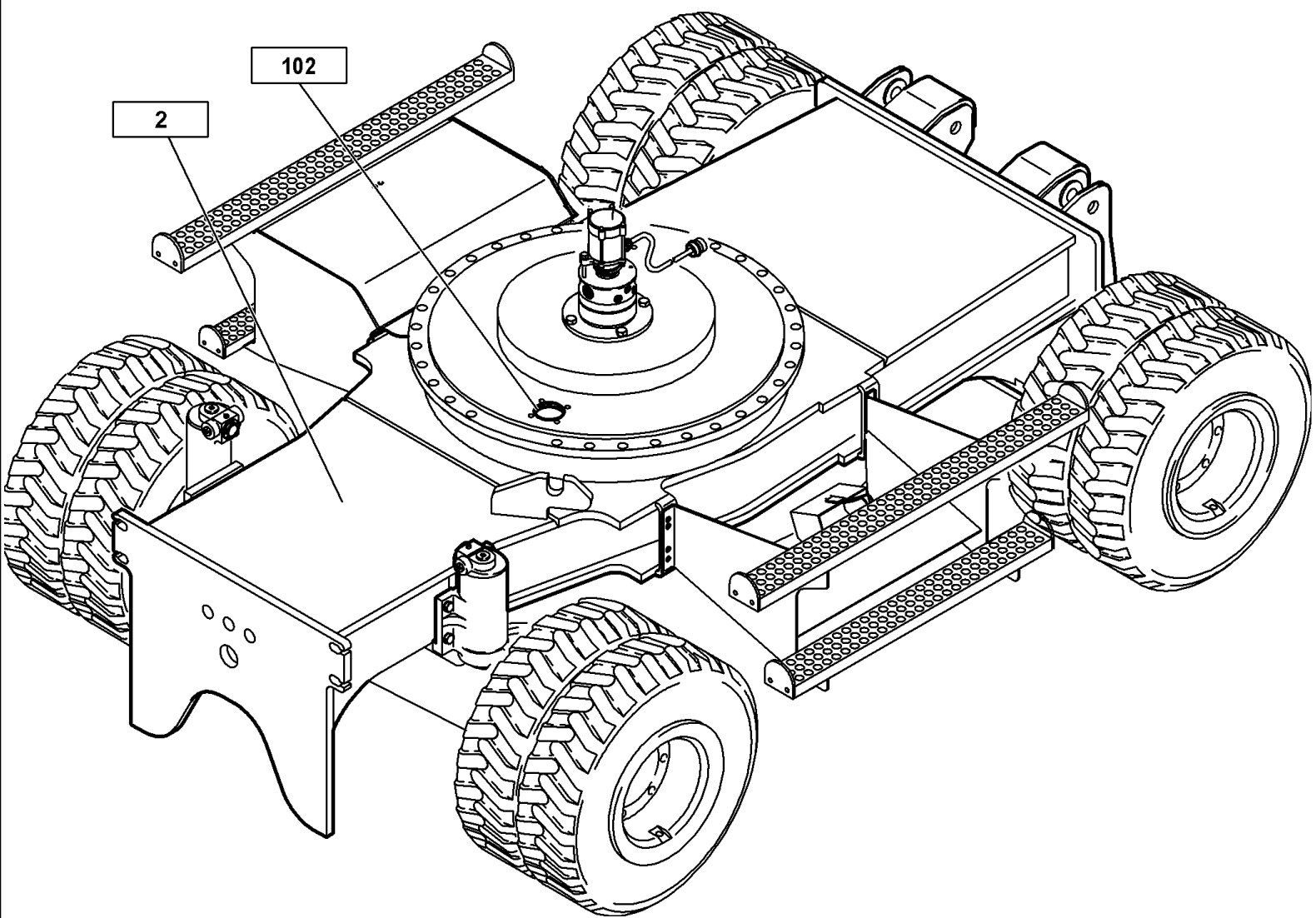


WX185 WHEELED EXCAVATOR (2/04-)

00.200(2991489000) LOWER CARRIAGE EXCAVATOR

Ref	Part Number	Qty	Description
2	NS	1	FRAME LOWER CARRIAGE WITH MOUNT. PARTS SEE FIGURE 01.200/2991488000
3	NS	1	SUPPORT SEE FIGURE 04.012/2987492002
50	2900948	2	CATSEYE
102	NS	1	FRAME LOWER CARRIAGE WITH MOUNT. PARTS SEE FIGURE 01.200/2984539000
990	8922022		AR LOWER CARRIAGE

2992642

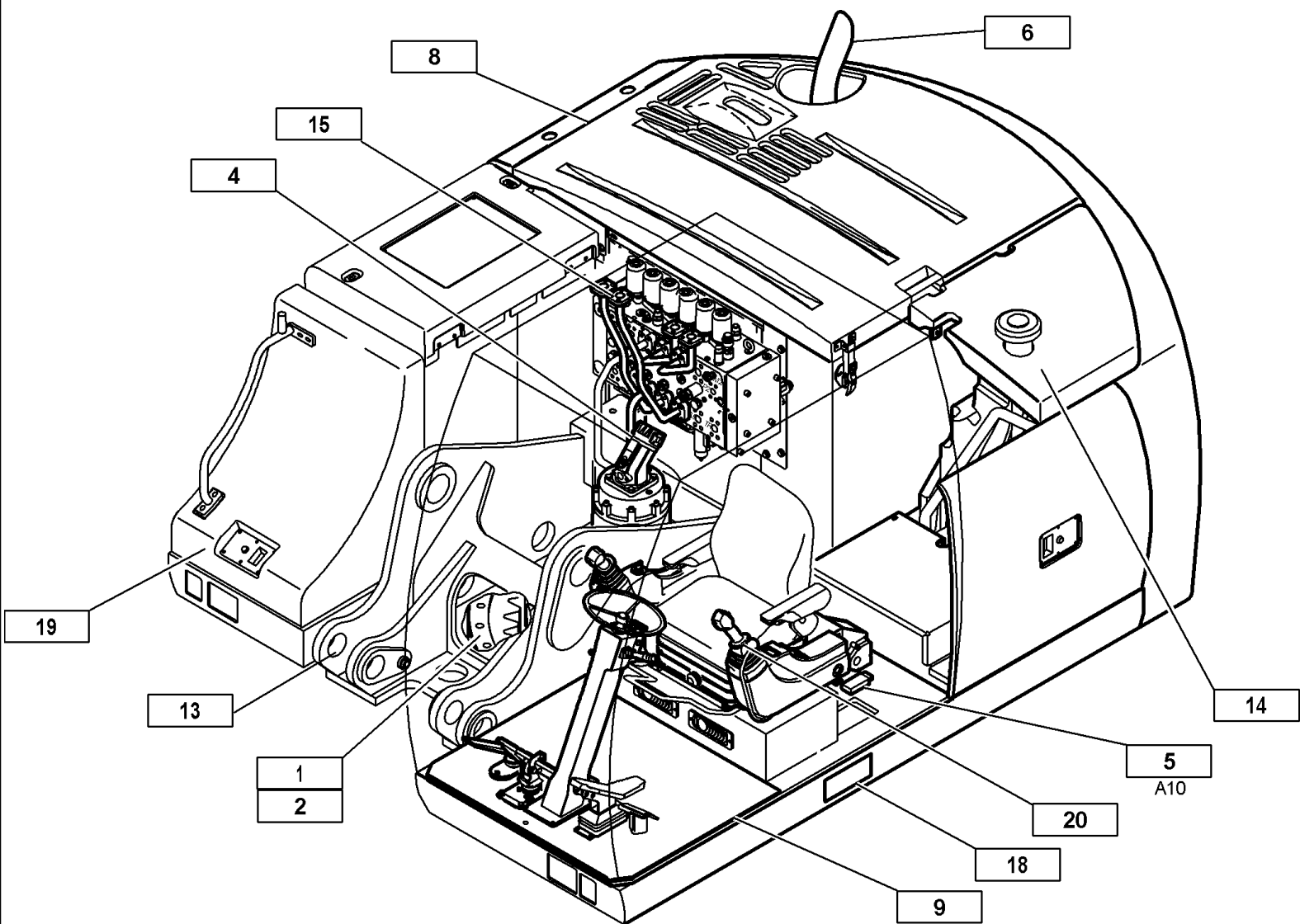


WX185 WHEELED EXCAVATOR (2/04-)

00.200(8922576000) LOWER CARRIAGE EXCAVATOR

Ref	Part Number	Qty	Description
2	NS	1	FRAME LOWER CARRIAGE WITH MOUNT. PARTS SEE FIGURE 01.200/2991488000
102	NS	1	FRAME LOWER CARRIAGE WITH MOUNT. PARTS SEE FIGURE 01.200/2984539000

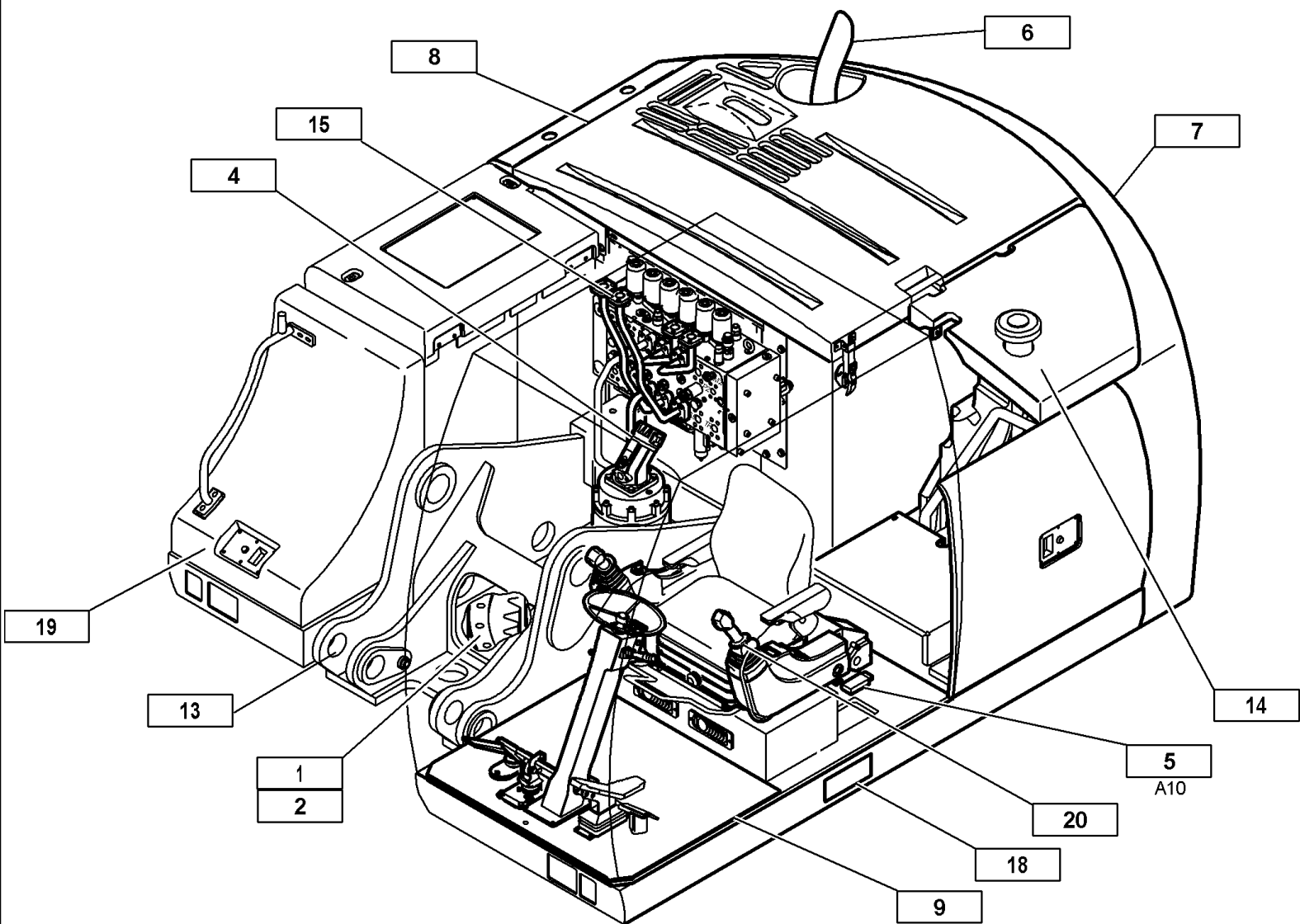
00 00 A 4368



WX185 WHEELED EXCAVATOR (2/04-)

00.300(2987426000) UPPER CARRIAGE EXCAVATOR

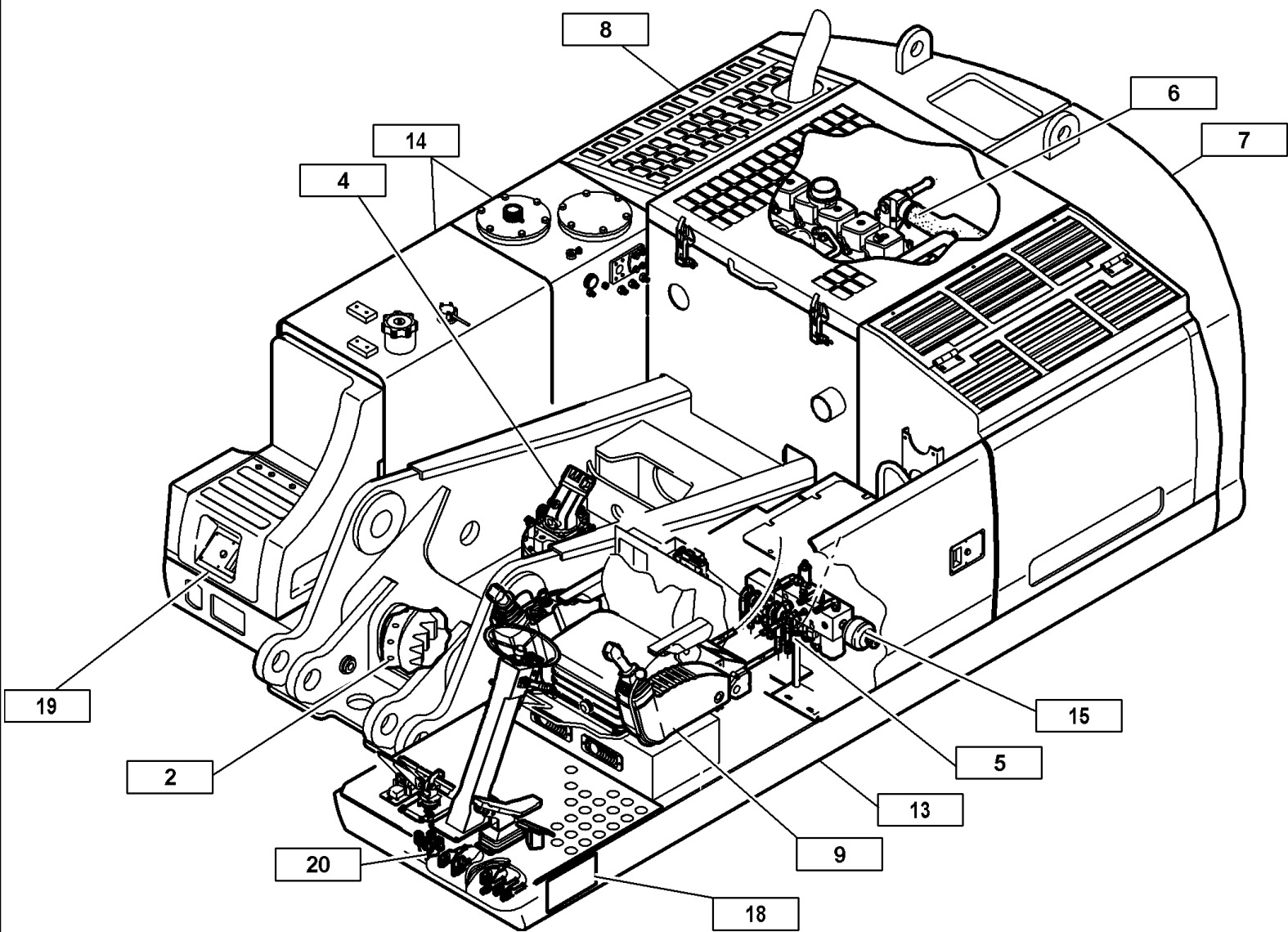
Ref	Part Number	Qty	Description
2	NS	1	SWIVEL CONNECTION SEE FIGURE 11.012/2984516001
4	NS	1	SLEWING GEAR INSTALL.MATERIAL SEE FIGURE 16.030/2984548001
5	NS	1	CENTRAL ELECTRONIC INSTALL.MATERIAL SEE FIGURE 32.150/2985601000
6	NS	1	MOTOR INSTALL.MATERIAL SEE FIGURE 13.010/2987254000
8	NS	1	PANELING COMPLETE SEE FIGURE 36.005/2987427001
9	NS	1	CAB MODULE INSTALL.MATERIAL SEE FIGURE 34.010/2987262002
13	NS	1	FRAME UPPER CARRIAGE WITH MOUNT. PARTS SEE FIGURE 01.300/2987423000
14	NS	1	FUEL TANK INSTALL.MATERIAL SEE FIGURE 10.200/2984558000
15	NS	1	HYDRAULIC SYSTEM UPPER CARRIAGE SEE FIGURE 20.030/2986579000
18	NS	1	DECAL KIT SEE FIGURE 91.010/2988248000
19	NS	1	TOOL SET SEE FIGURE 92.010/004
20	NS	1	ELECTRICAL SYSTEM BASIC MACHINE COMPLETE SEE FIGURE 32.010/004
990	3031935	AR	UPPER CARRIAGE



WX185 WHEELED EXCAVATOR (2/04-)

00.300(2988343000) UPPER CARRIAGE EXCAVATOR

Ref	Part Number	Qty	Description
2	NS	1	SWIVEL CONNECTION SEE FIGURE 11.012/2984516001
4	NS	1	SLEWING GEAR INSTALL.MATERIAL SEE FIGURE 16.030/2984548001
5	NS	1	CENTRAL ELECTRONIC INSTALL.MATERIAL SEE FIGURE 32.150/2985601000
6	NS	1	MOTOR INSTALL.MATERIAL SEE FIGURE 13.010/2988342000
7	NS	1	CONTAINER INSTALL.MATERIAL SEE FIGURE 10.010/2987691000
8	NS	1	PANELING COMPLETE SEE FIGURE 36.005/2988612000
9	NS	1	CAB MODULE INSTALL.MATERIAL SEE FIGURE 34.010/2989793000
13	NS	1	FRAME UPPER CARRIAGE WITH MOUNT. PARTS SEE FIGURE 01.300/2987423000
14	NS	1	FUEL TANK INSTALL.MATERIAL SEE FIGURE 10.200/2984558000
15	NS	1	HYDRAULIC SYSTEM UPPER CARRIAGE SEE FIGURE 20.030/2988040000
18	NS	1	DECAL KIT SEE FIGURE 91.010/2988249000
19	NS	1	TOOL SET SEE FIGURE 92.010/005
20	NS	1	ELECTRICAL SYSTEM BASIC MACHINE COMPLETE SEE FIGURE 32.010/005
990	3035015	AR	UPPER CARRIAGE



WX185 WHEELED EXCAVATOR (2/04-)

00.300(2989590000) UPPER CARRIAGE EXCAVATOR

Ref	Part Number	Qty	Description
1	NS	1	MAINTENANCE MATER. SEE FIGURE 92.020/008
2	NS	1	SWIVEL CONNECTION SEE FIGURE 11.012/2984516001
4	NS	1	SLEWING GEAR INSTALL.MATERIAL SEE FIGURE 16.030/2987459000
5	NS	1	CENTRAL ELECTRONIC INSTALL.MATERIAL SEE FIGURE 32.150/2986589000
6	NS	1	MOTOR INSTALL.MATERIAL SEE FIGURE 13.010/2989549000
7	NS	1	BALLAST INSTALL.MATERIAL SEE FIGURE 12.010/2989589000
8	NS	1	PANELING COMPLETE SEE FIGURE 36.005/2991236000
9	NS	1	CAB MODULE INSTALL.MATERIAL SEE FIGURE 34.010/2991661000
13	NS	1	FRAME UPPER CARRIAGE WITH MOUNT. PARTS SEE FIGURE 01.300/2987608000
14	NS	1	CONTAINER INSTALL.MATERIAL SEE FIGURE 10.010/2984462001
15	NS	1	HYDRAULIC SYSTEM UPPER CARRIAGE SEE FIGURE 20.030/2988811000
18	NS	1	DECAL KIT SEE FIGURE 91.010/2989725000
19	NS	1	TOOL SET SEE FIGURE 92.010/008
20	NS	1	ELECTRICAL SYSTEM FRAME UPPER CARRIAGE SEE FIGURE 32.110/008
990	3035590	AR	UPPER CARRIAGE

BUY NOW

**Then Instant Download
the Complete Manual
Thank you very much!**