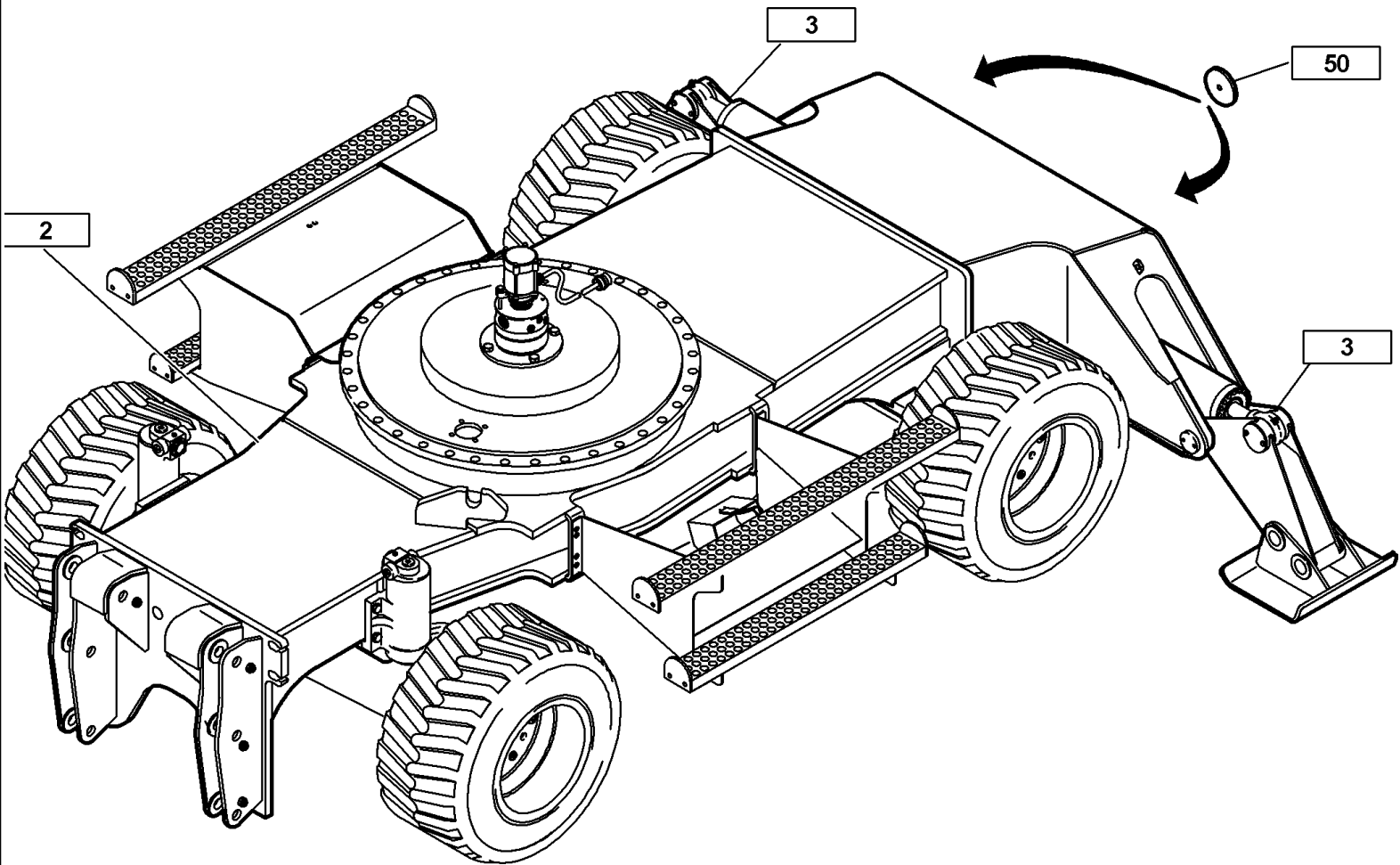




PARTS CATALOGUE

WX210
WHEELED EXCAVATOR

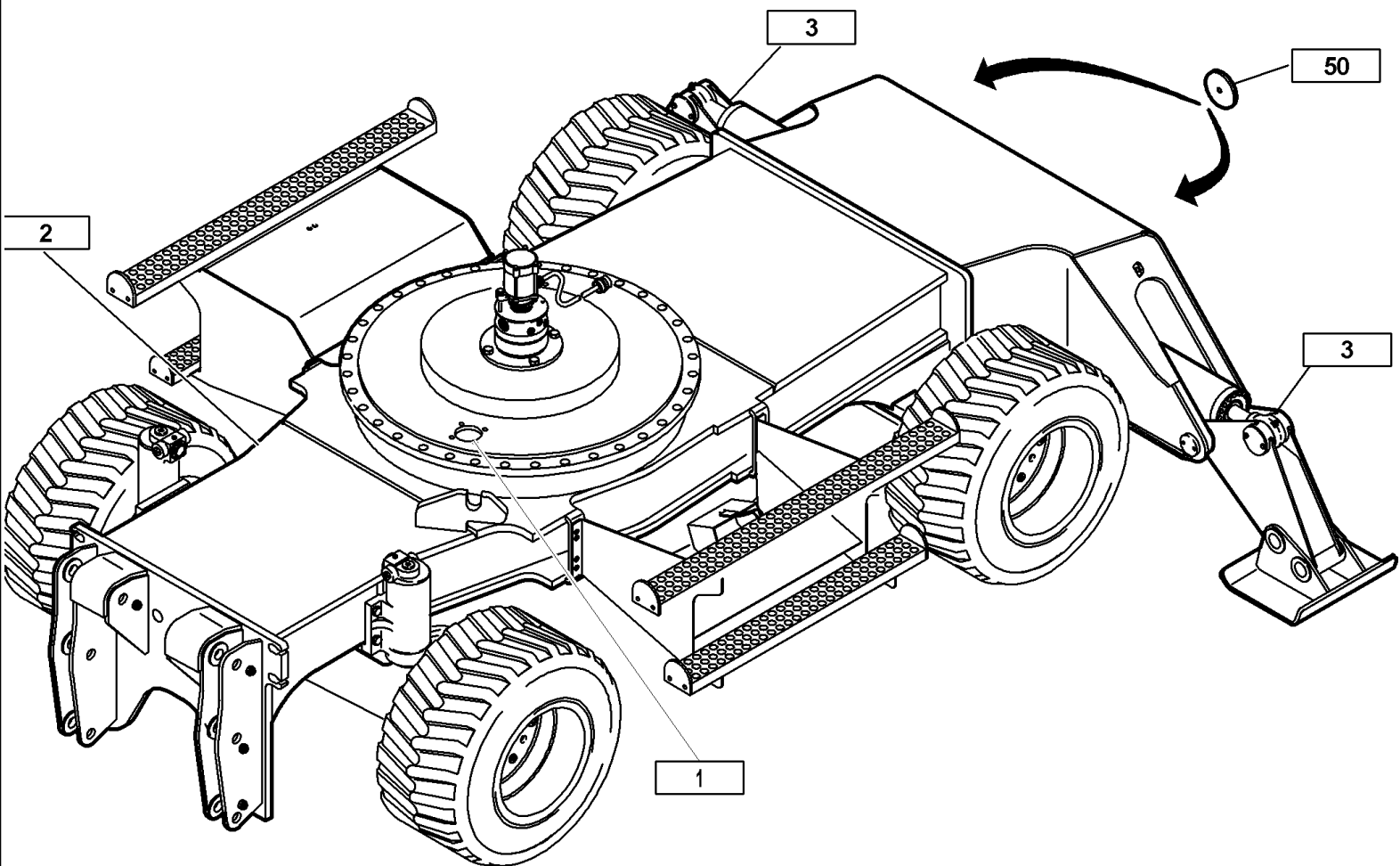


WX210 WHEELED EXCAVATOR (3/04-)

00.200(2987646000) LOWER CARRIAGE EXCAVATOR

Ref	Part Number	Qty	Description
2	NS	1	FRAME LOWER CARRIAGE WITH MOUNT. PARTS SEE FIGURE 01.200/2987639000
3	NS	1	SUPPORT SEE FIGURE 04.012/2987492002
50	NS	2	CATSEYE INSTALL.MATERIAL SEE FIGURE 35.050/1908959000
990	8917941	AR	LOWER CARRIAGE

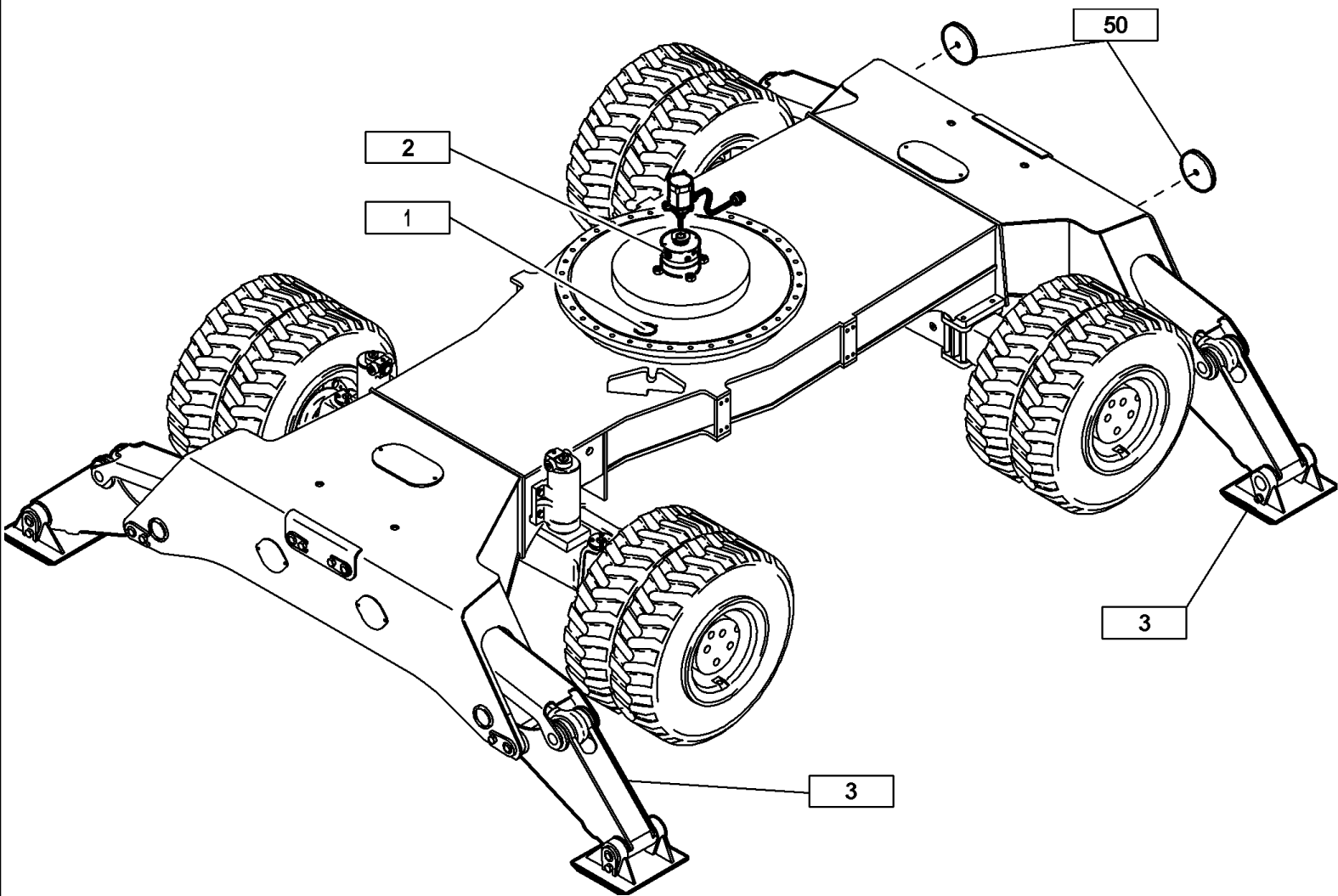
2992642



WX210 WHEELED EXCAVATOR (3/04-)

00.200(2989641000) LOWER CARRIAGE EXCAVATOR

Ref	Part Number	Qty	Description
1	NS	1	FRAME LOWER CARRIAGE WITH MOUNT. PARTS SEE FIGURE 01.200/2984539000
2	NS	1	FRAME LOWER CARRIAGE WITH MOUNT. PARTS SEE FIGURE 01.200/2989600000
3	NS	1	SUPPORT SEE FIGURE 04.012/2987492002
50	NS	2	CATSEYE INSTALL.MATERIAL SEE FIGURE 35.050/1908959000
990	8921050	AR	LOWER CARRIAGE



WX210 WHEELED EXCAVATOR (3/04-)

00.200(2990598000) LOWER CARRIAGE EXCAVATOR INDUSTRY

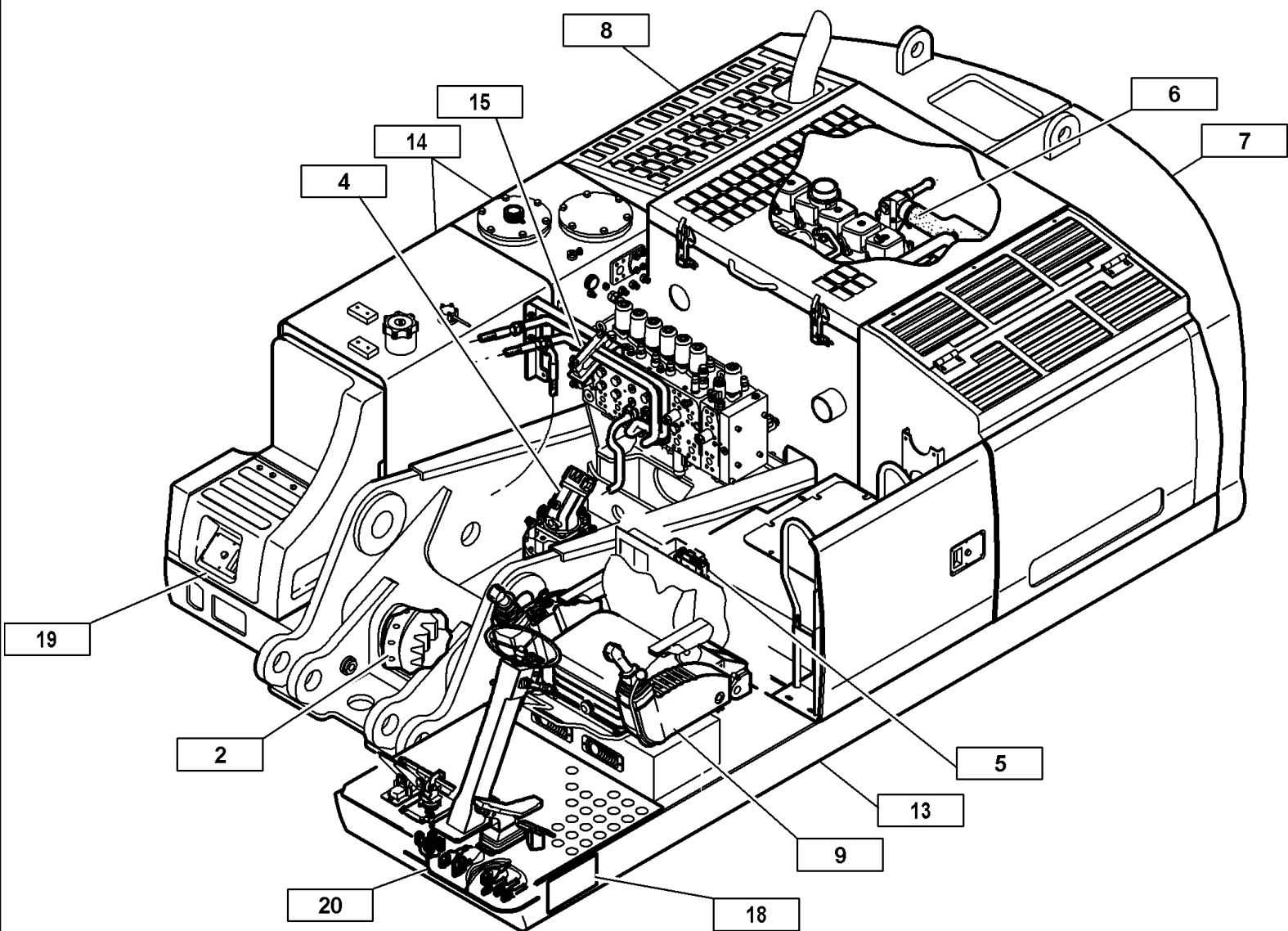
Ref	Part Number	Qty	Description
1	NS	1	FRAME LOWER CARRIAGE WITH MOUNT. PARTS SEE FIGURE 01.200/2984539000
2	NS	1	FRAME LOWER CARRIAGE WITH MOUNT. PARTS SEE FIGURE 01.200/2990597000
3	NS	2	SUPPORT INDUSTRY SEE FIGURE 04.012/2990584000
50	NS	2	CATSEYE INSTALL.MATERIAL SEE FIGURE 35.050/004
990	8921757	AR	LOWER CARRIAGE

WX210 WHEELED EXCAVATOR (3/04-)

00.200(2990599000) LOWER CARRIAGE EXCAVATOR INDUSTRY

Ref	Part Number	Qty	Description
1	NS	1	FRAME LOWER CARRIAGE WITH MOUNT. PARTS SEE FIGURE 01.200/2984539000
2	NS	1	FRAME LOWER CARRIAGE WITH MOUNT. PARTS SEE FIGURE 01.200/2990596000
3	NS	2	SUPPORT INDUSTRY SEE FIGURE 04.012/2990584000
50	NS	2	CATSEYE INSTALL.MATERIAL SEE FIGURE 35.050/004
990	8922653		AR LOWER CARRIAGE

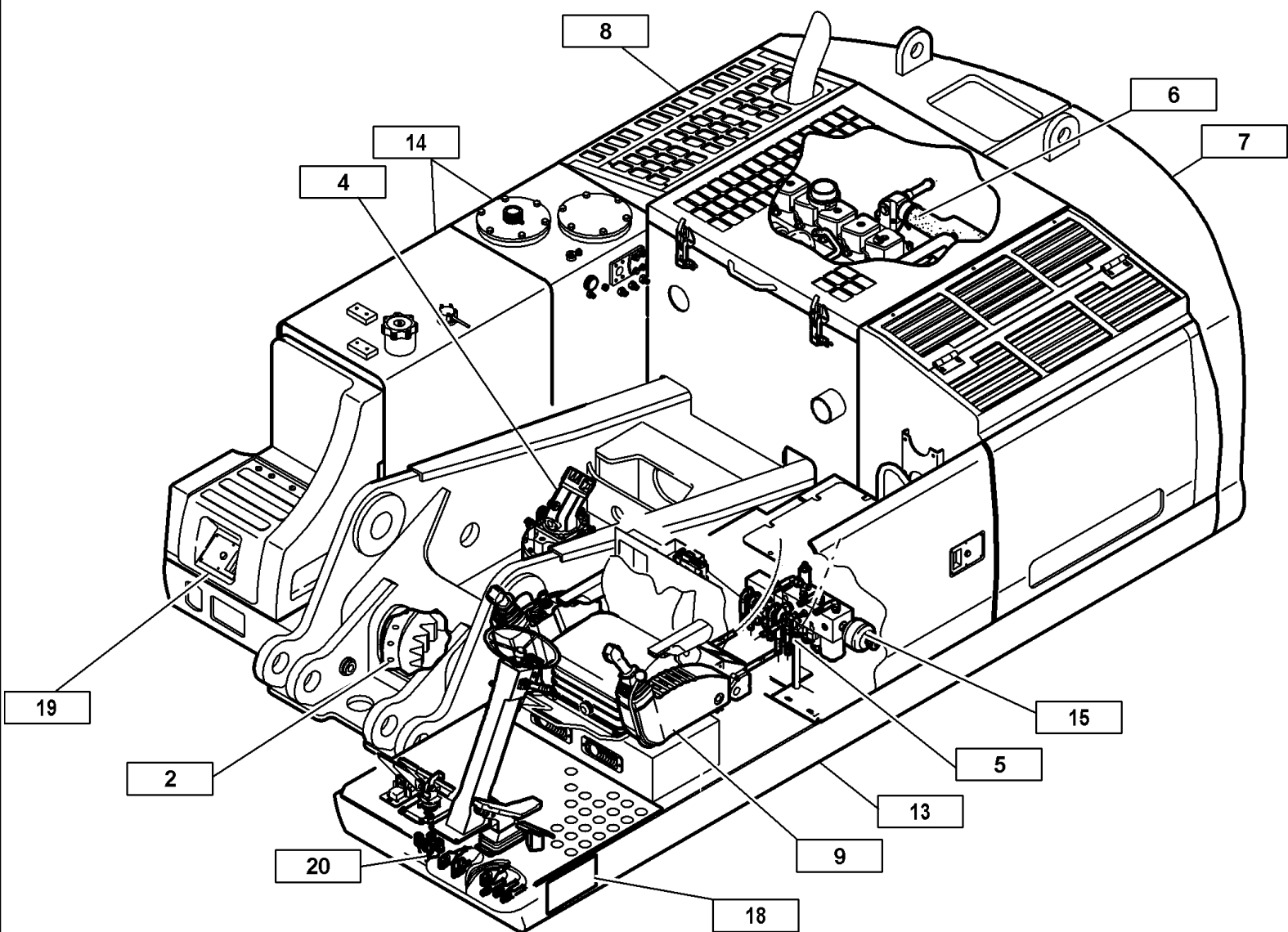
2992642



WX210 WHEELED EXCAVATOR (3/04-)

00.300(2987617001) UPPER CARRIAGE EXCAVATOR

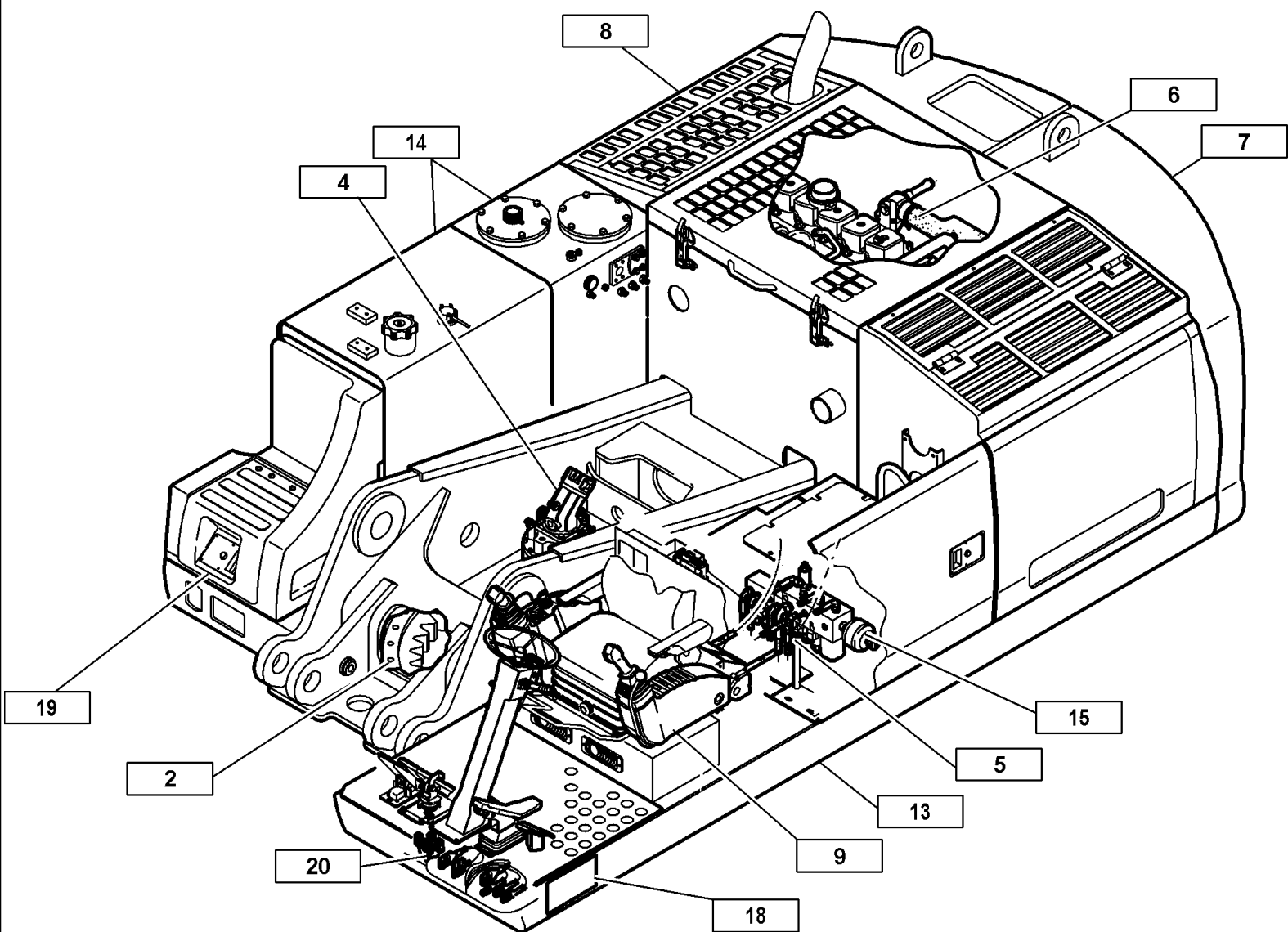
Ref	Part Number	Qty	Description
1	NS	1	MAINTENANCE MATER. SEE FIGURE 92.020/004
2	NS	1	SWIVEL CONNECTION SEE FIGURE 11.012/2984516001
4	NS	1	SLEWING GEAR INSTALL.MATERIAL SEE FIGURE 16.030/2987459000
5	NS	1	CENTRAL ELECTRONIC INSTALL.MATERIAL SEE FIGURE 32.150/2986589000
6	NS	1	MOTOR INSTALL.MATERIAL SEE FIGURE 13.010/2989555000
7	NS	1	BALLAST INSTALL.MATERIAL SEE FIGURE 12.010/2987611000
8	NS	1	PANELING COMPLETE SEE FIGURE 36.005/2987615001
9	NS	1	CAB MODULE INSTALL.MATERIAL SEE FIGURE 34.010/2987500001
13	NS	1	FRAME UPPER CARRIAGE WITH MOUNT. PARTS SEE FIGURE 01.300/2987608000
14	NS	1	CONTAINER INSTALL.MATERIAL SEE FIGURE 10.010/2984462001
15	NS	1	HYDRAULIC SYSTEM UPPER CARRIAGE SEE FIGURE 20.030/2984678000
18	NS	1	DECAL KIT SEE FIGURE 91.010/2987057000
19	NS	1	TOOL SET SEE FIGURE 92.010/2985544001
20	NS	1	ELECTRICAL SYSTEM FRAME UPPER CARRIAGE SEE FIGURE 32.110/2987606000
990	3031940	AR	UPPER CARRIAGE



WX210 WHEELED EXCAVATOR (3/04-)

00.300(2989550000) UPPER CARRIAGE EXCAVATOR

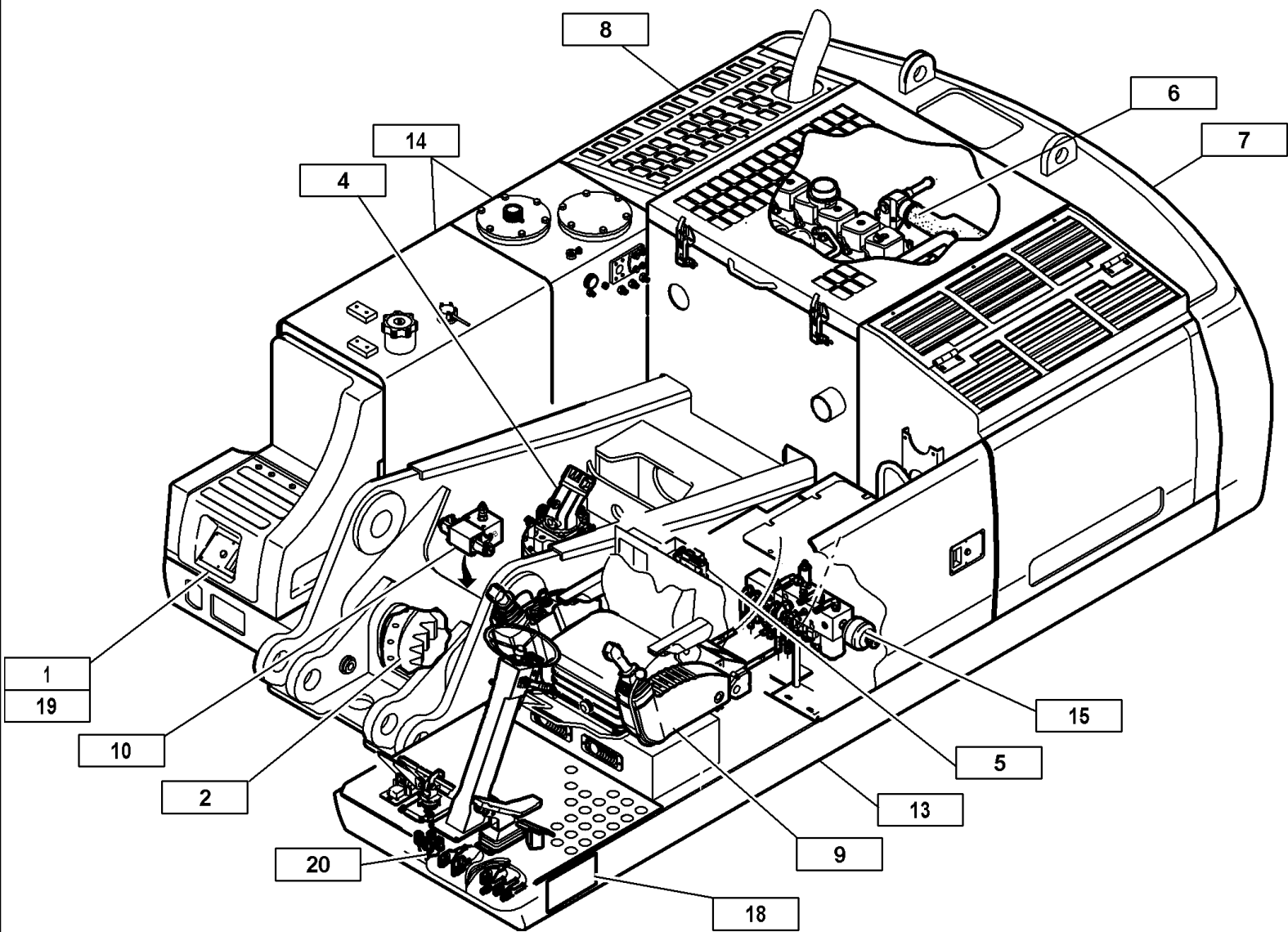
Ref	Part Number	Qty	Description
1	NS	1	MAINTENANCE MATER. SEE FIGURE 92.020/007
2	NS	1	SWIVEL CONNECTION SEE FIGURE 11.012/2984516001
4	NS	1	SLEWING GEAR INSTALL.MATERIAL SEE FIGURE 16.030/2987459000
5	NS	1	CENTRAL ELECTRONIC INSTALL.MATERIAL SEE FIGURE 32.150/2986589000
6	NS	1	MOTOR INSTALL.MATERIAL SEE FIGURE 13.010/2989549000
7	NS	1	BALLAST INSTALL.MATERIAL SEE FIGURE 12.010/2987611000
8	NS	1	PANELING COMPLETE SEE FIGURE 36.005/2987615001
9	NS	1	CAB MODULE INSTALL.MATERIAL SEE FIGURE 34.010/2987500001
13	NS	1	FRAME UPPER CARRIAGE WITH MOUNT. PARTS SEE FIGURE 01.300/2987608000
14	NS	1	CONTAINER INSTALL.MATERIAL SEE FIGURE 10.010/2984462001
15	NS	1	HYDRAULIC SYSTEM UPPER CARRIAGE SEE FIGURE 20.030/2988811000
18	NS	1	DECAL KIT SEE FIGURE 91.010/2989725000
19	NS	1	TOOL SET SEE FIGURE 92.010/008
20	NS	1	ELECTRICAL SYSTEM FRAME UPPER CARRIAGE SEE FIGURE 32.110/008
990	3035020	AR	UPPER CARRIAGE



WX210 WHEELED EXCAVATOR (3/04-)

00.300(2989590000) UPPER CARRIAGE EXCAVATOR

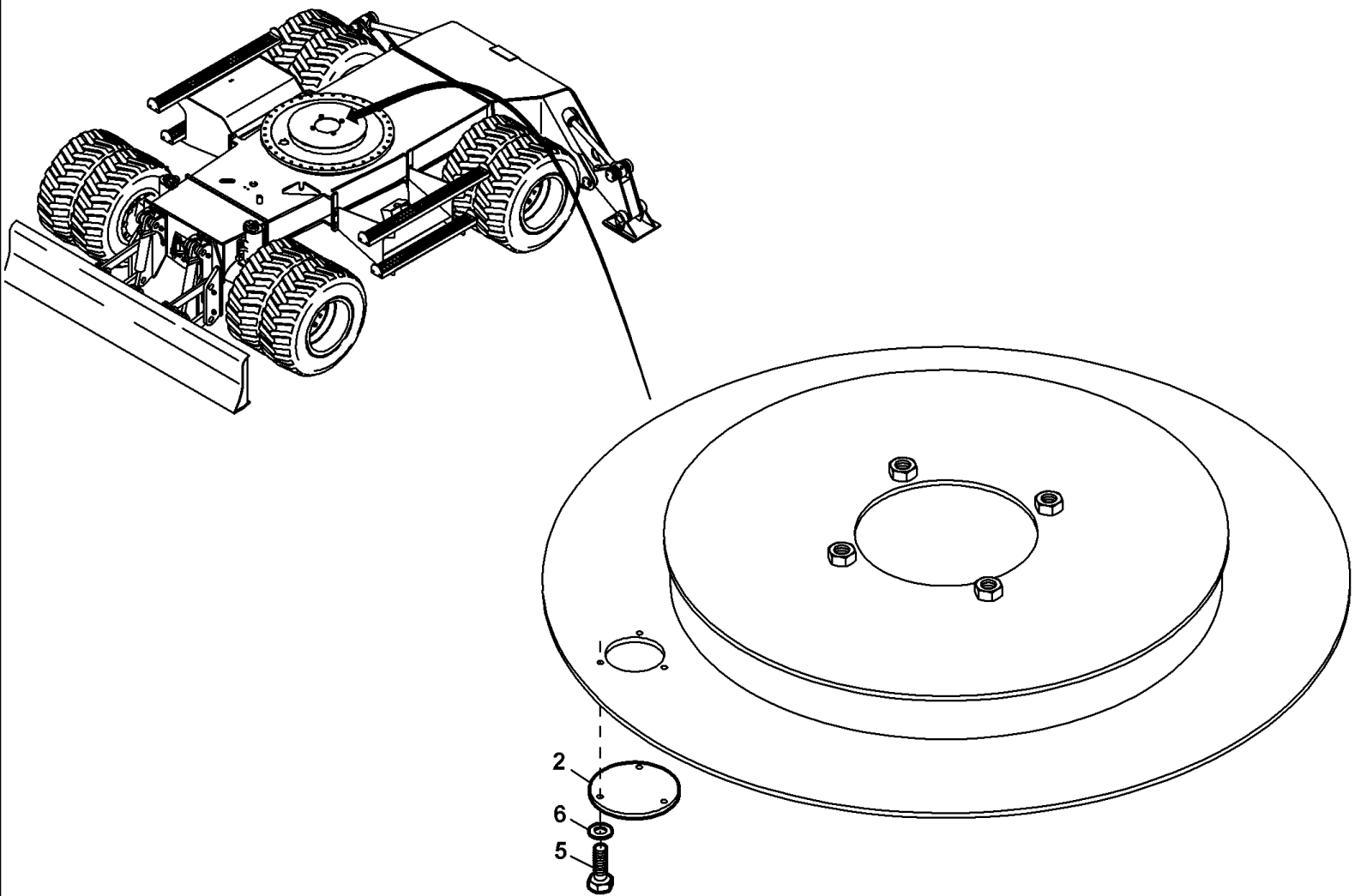
Ref	Part Number	Qty	Description
1	NS	1	MAINTENANCE MATER. SEE FIGURE 92.020/008
2	NS	1	SWIVEL CONNECTION SEE FIGURE 11.012/2984516001
4	NS	1	SLEWING GEAR INSTALL.MATERIAL SEE FIGURE 16.030/2987459000
5	NS	1	CENTRAL ELECTRONIC INSTALL.MATERIAL SEE FIGURE 32.150/2986589000
6	NS	1	MOTOR INSTALL.MATERIAL SEE FIGURE 13.010/2989549000
7	NS	1	BALLAST INSTALL.MATERIAL SEE FIGURE 12.010/2989589000
8	NS	1	PANELING COMPLETE SEE FIGURE 36.005/2991236000
9	NS	1	CAB MODULE INSTALL.MATERIAL SEE FIGURE 34.010/2991661000
13	NS	1	FRAME UPPER CARRIAGE WITH MOUNT. PARTS SEE FIGURE 01.300/2987608000
14	NS	1	CONTAINER INSTALL.MATERIAL SEE FIGURE 10.010/2984462001
15	NS	1	HYDRAULIC SYSTEM UPPER CARRIAGE SEE FIGURE 20.030/2988811000
18	NS	1	DECAL KIT SEE FIGURE 91.010/2989725000
19	NS	1	TOOL SET SEE FIGURE 92.010/008
20	NS	1	ELECTRICAL SYSTEM FRAME UPPER CARRIAGE SEE FIGURE 32.110/008
990	3035590	AR	UPPER CARRIAGE



WX210 WHEELED EXCAVATOR (3/04-)

00.300(2989794000) UPPER CARRIAGE EXCAVATOR CUSTOMER-MADE

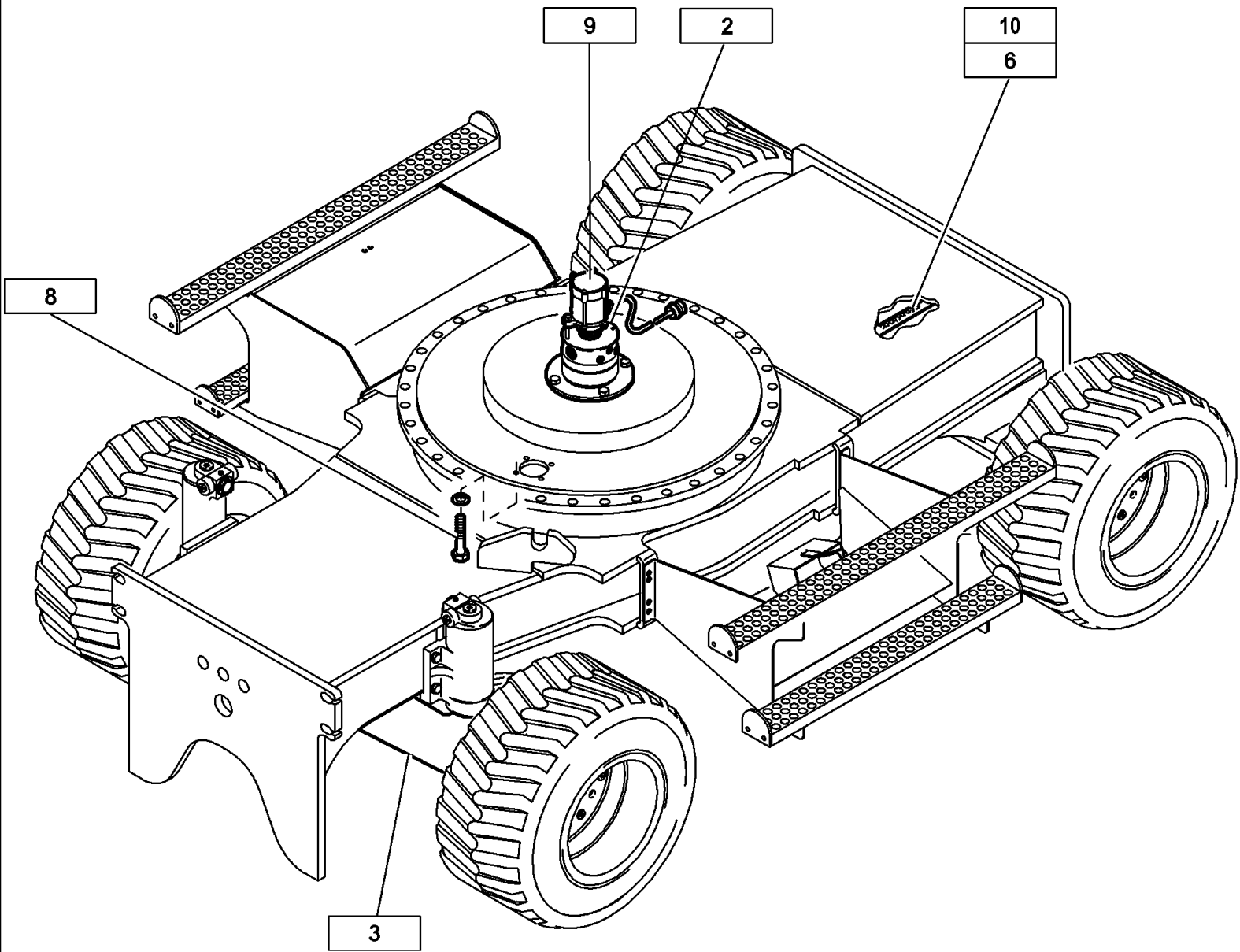
Ref	Part Number	Qty	Description
1	NS	1	MAINTENANCE MATER. SEE FIGURE 92.020/008
2	NS	1	SWIVEL CONNECTION SEE FIGURE 11.012/2984516001
4	NS	1	SLEWING GEAR INSTALL.MATERIAL SEE FIGURE 16.030/2987459000
5	NS	1	CENTRAL ELECTRONIC INSTALL.MATERIAL SEE FIGURE 32.150/2986589000
6	NS	1	MOTOR INSTALL.MATERIAL SEE FIGURE 13.010/2989549000
7	NS	1	BALLAST INSTALL.MATERIAL SEE FIGURE 12.010/2987611000
8	NS	1	PANELING COMPLETE SEE FIGURE 36.005/2987615001
9	NS	1	CAB MODULE INSTALL.MATERIAL CUSTOMER-MADE SEE FIGURE 34.010/2987500001
10	NS	1	HYDRAULIC SYSTEM GRAB TURNING MONO SEE FIGURE 20.420/2989785000
13	NS	1	FRAME UPPER CARRIAGE WITH MOUNT. PARTS SEE FIGURE 01.300/2987608000
14	NS	1	CONTAINER INSTALL.MATERIAL SEE FIGURE 10.010/2984462001
15	NS	1	HYDRAULIC SYSTEM UPPER CARRIAGE SEE FIGURE 20.030/2988811000
18	NS	1	DECAL KIT SEE FIGURE 91.010/2989725000
19	NS	1	TOOL SET SEE FIGURE 92.010/008
20	NS	1	ELECTRICAL SYSTEM FRAME UPPER CARRIAGE SEE FIGURE 32.110/008
990	3034872	AR	UPPER CARRIAGE



WX210 WHEELED EXCAVATOR (3/04-)

01.200(2984539000) FRAME LOWER CARRIAGE WITH MOUNT. PARTS

Ref	Part Number	Qty	Description
2	3030829	1	LID
5	614-6016	4	Bolt, Hex, M6 x 16, 8.8
6	895-11006	4	DISK/WASHER
990	3033853	AR	BRACKET

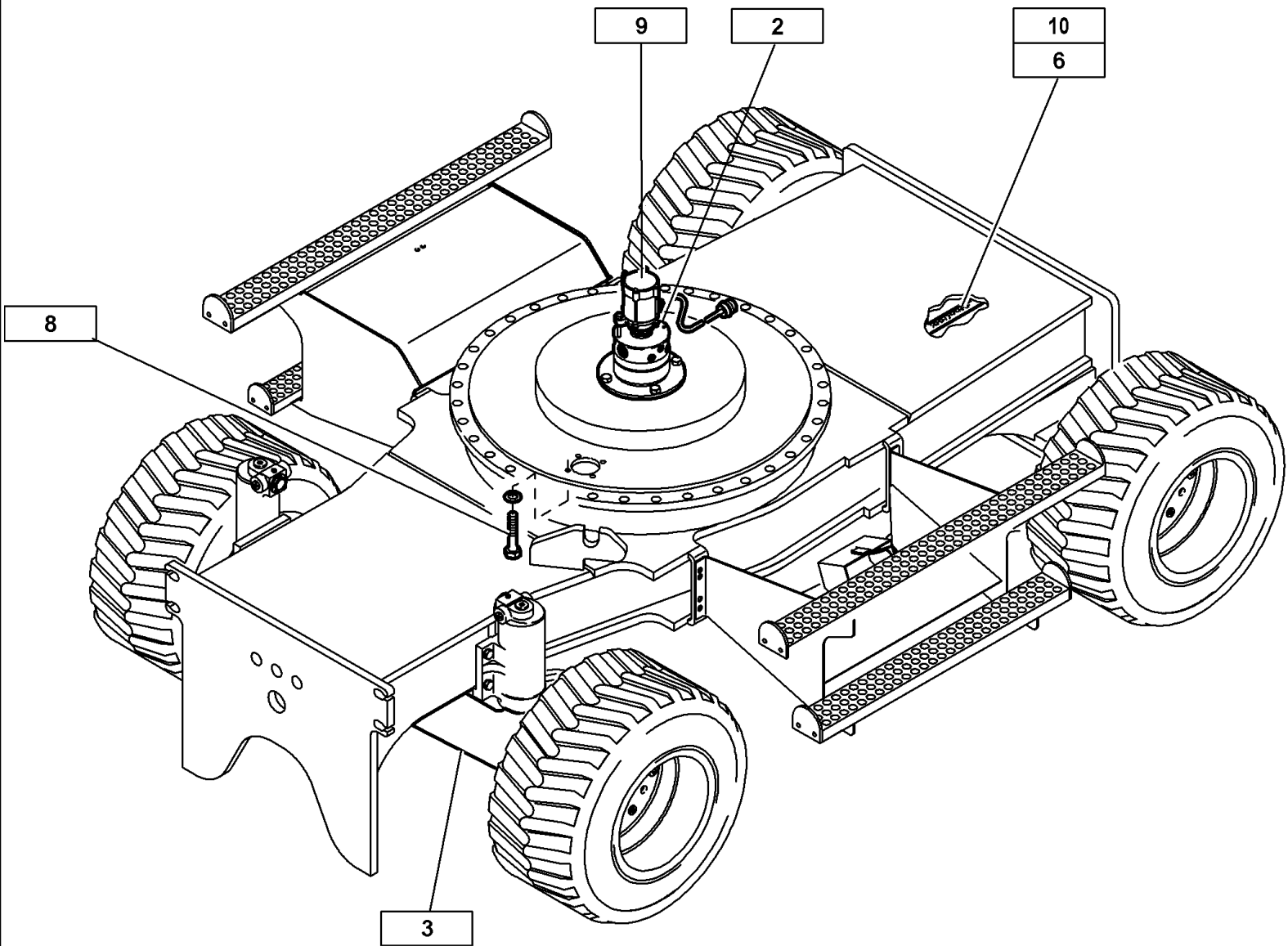


WX210 WHEELED EXCAVATOR (3/04-)

01.200(2987639000) FRAME LOWER CARRIAGE WITH MOUNT. PARTS

Ref	Part Number	Qty	Description
2	NS	1	ROTOR INSTALL.MATERIAL SEE FIGURE 22.500/2984459000
3	NS	1	STEERING AXLE INSTALL.MATERIAL SEE FIGURE 02.010/2987638001
6	NS	1	HYDRAULIC SYSTEM LOWER CARRIAGE SEE FIGURE 20.020/2986472001
8	NS	1	SWIVEL CONNECTION SEE FIGURE 11.012/2985142000
9	NS	1	SLIPRING UNIT INSTALL.MATERIAL SEE FIGURE 33.010/003
10	NS	1	CABLE HARNESS LOWER CARRIAGE SERIE SEE FIGURE 32.123/003
990	8919669		AR BASIC MACHINE

2992642



WX210 WHEELED EXCAVATOR (3/04-)

01.200(2989600000) FRAME LOWER CARRIAGE WITH MOUNT. PARTS

Ref	Part Number	Qty	Description
2	NS	1	ROTOR INSTALL.MATERIAL SEE FIGURE 22.500/2986576000
3	NS	1	STEERING AXLE INSTALL.MATERIAL SEE FIGURE 02.010/2987638001
6	NS	1	HYDRAULIC SYSTEM LOWER CARRIAGE SEE FIGURE 20.020/2989591001
8	NS	1	SWIVEL CONNECTION SEE FIGURE 11.012/2985142000
9	NS	1	SLIPRING UNIT INSTALL.MATERIAL SEE FIGURE 33.010/003
10	NS	1	CABLE HARNESS LOWER CARRIAGE SERIE SEE FIGURE 32.123/003
990	8921462		AR BASIC MACHINE

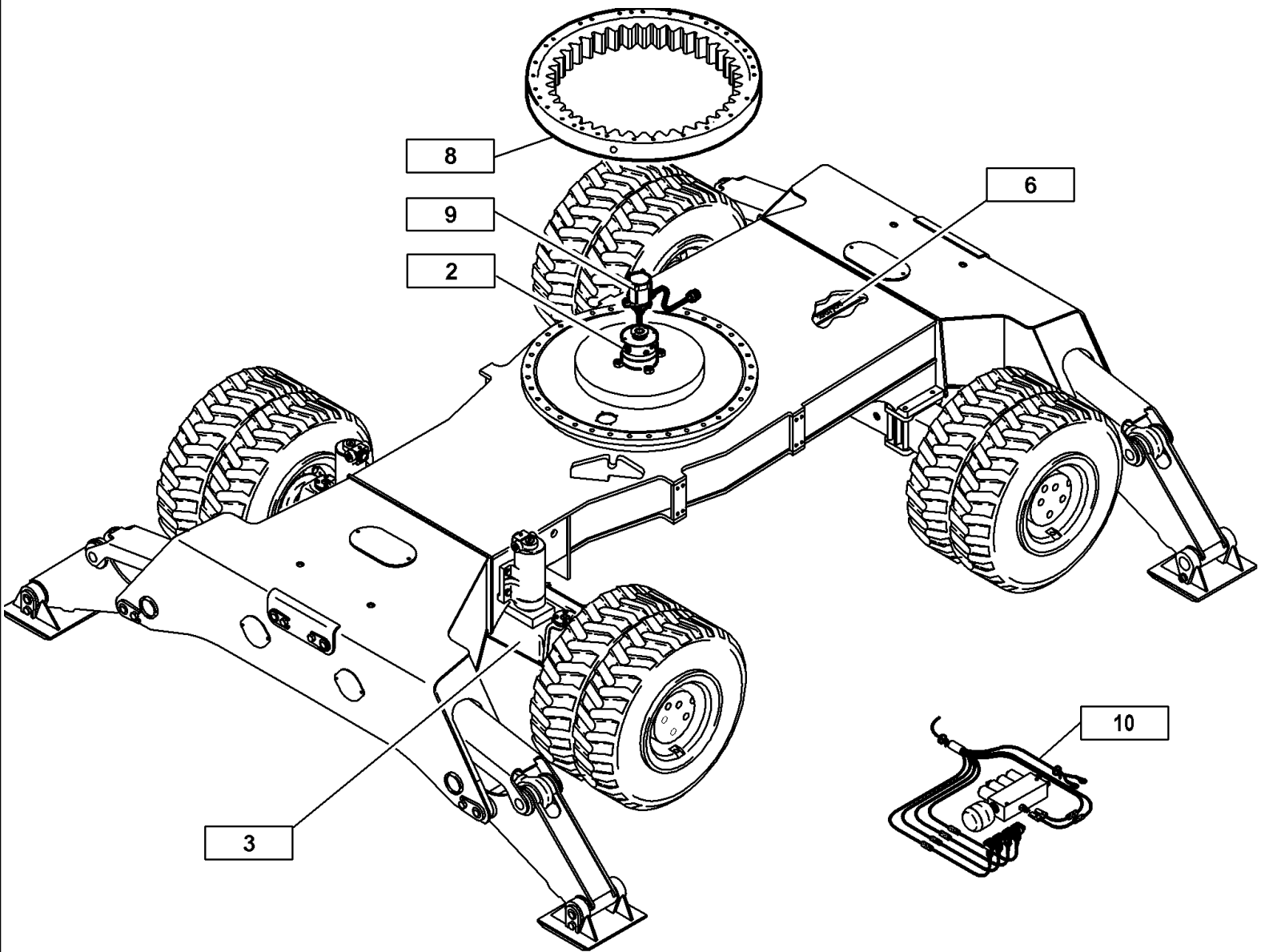
2992642

WX210 WHEELED EXCAVATOR (3/04-)

01.200(2990596000) FRAME LOWER CARRIAGE WITH MOUNT. PARTS

Ref	Part Number	Qty	Description
2	NS	1	ROTOR INSTALL.MATERIAL SEE FIGURE 22.500/2986576000
3	NS	1	STEERING AXLE INSTALL.MATERIAL SEE FIGURE 02.010/2990589001
6	NS	1	HYDRAULIC SYSTEM LOWER CARRIAGE SEE FIGURE 20.020/2989591001
8	NS	1	SWIVEL CONNECTION SEE FIGURE 11.012/2985142000
9	NS	1	SLIPRING UNIT INSTALL.MATERIAL SEE FIGURE 33.010/003
10	NS	1	CABLE HARNESS LOWER CARRIAGE SERIE SEE FIGURE 32.123/003
990	8922033		AR BASIC MACHINE

2992642

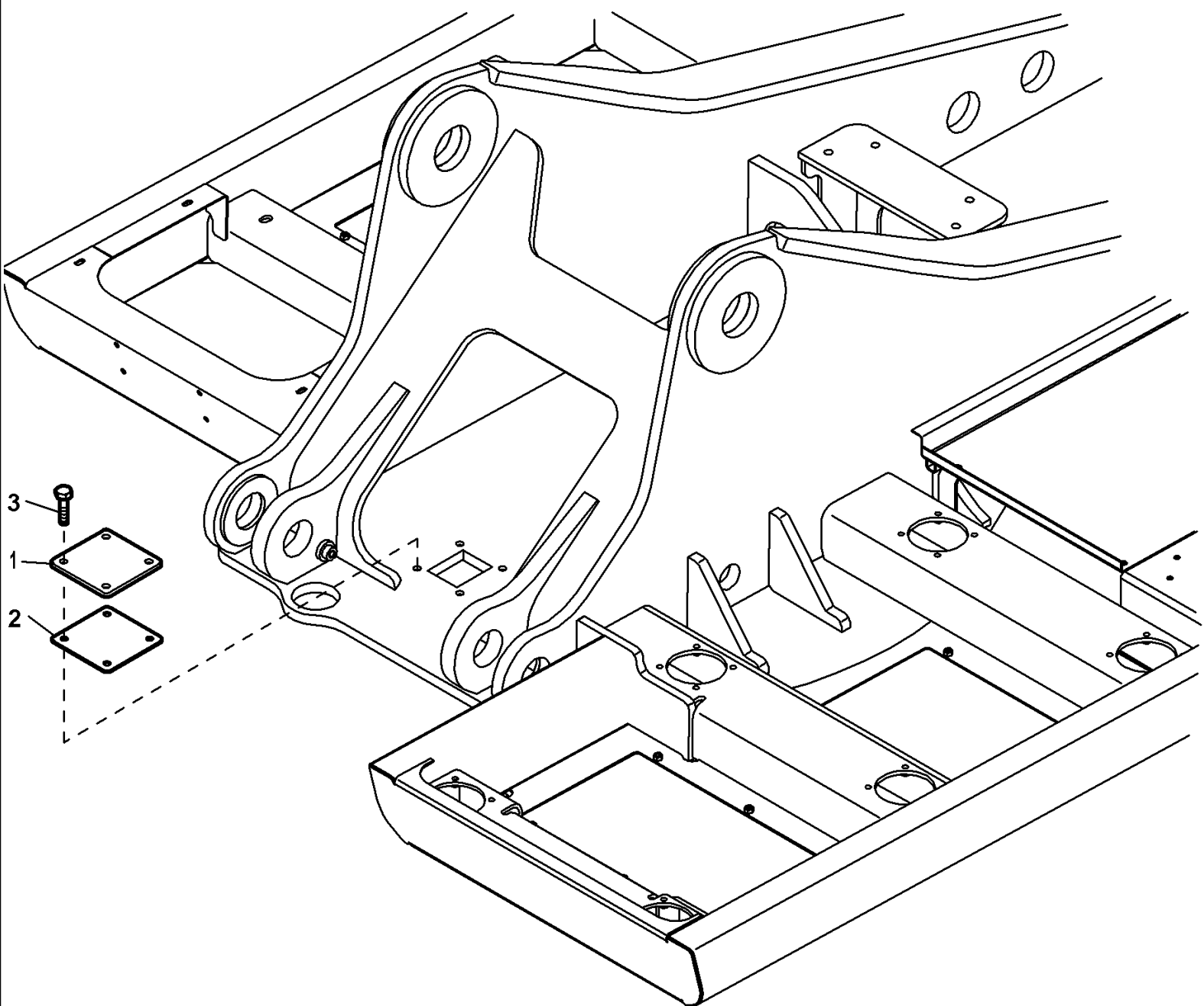


WX210 WHEELED EXCAVATOR (3/04-)

01.200(2990597000) FRAME LOWER CARRIAGE WITH MOUNT. PARTS

Ref	Part Number	Qty	Description
2	NS	1	ROTOR INSTALL.MATERIAL SEE FIGURE 22.500/2986576000
3	NS	1	STEERING AXLE INSTALL.MATERIAL SEE FIGURE 02.010/2988338000
6	NS	1	HYDRAULIC SYSTEM LOWER CARRIAGE SEE FIGURE 20.020/2989898000
8	NS	1	SWIVEL CONNECTION SEE FIGURE 11.012/2985142000
9	NS	1	SLIPRING UNIT INSTALL.MATERIAL SEE FIGURE 33.010/003
10	NS	1	CABLE HARNESS LOWER CARRIAGE SERIE SEE FIGURE 32.123/003
990	8921465		AR BASIC MACHINE

2992642

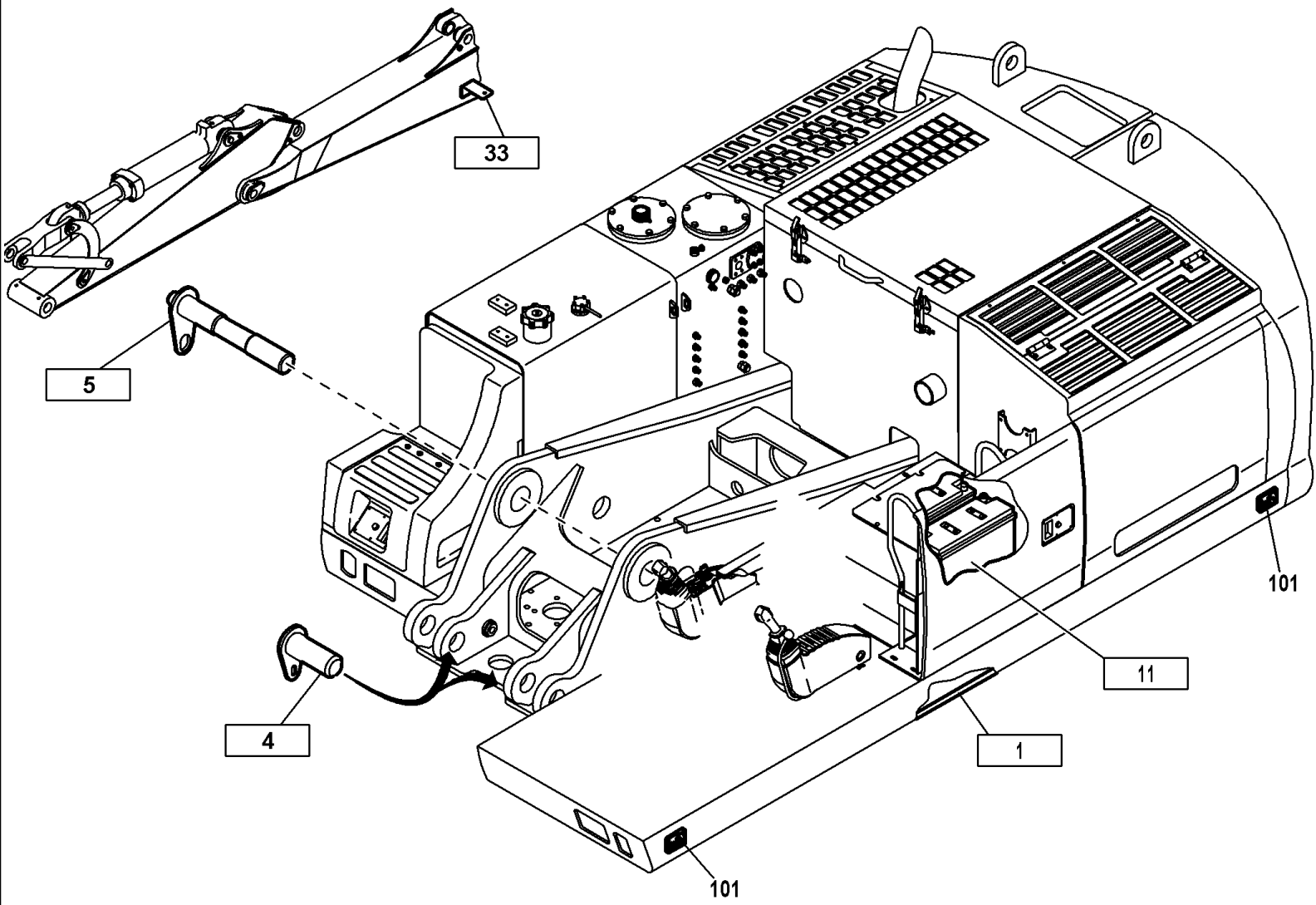


WX210 WHEELED EXCAVATOR (3/04-)

01.300(2944127000) FRAME UPPER CARRIAGE WITH MOUNT. PARTS

Ref	Part Number	Qty	Description
1	8902430	1	LID
2	8912589	1	GASKET
3	2975773	4	HEXAGON BOLT
990	8902433	AR	SWIVEL CONNECTION

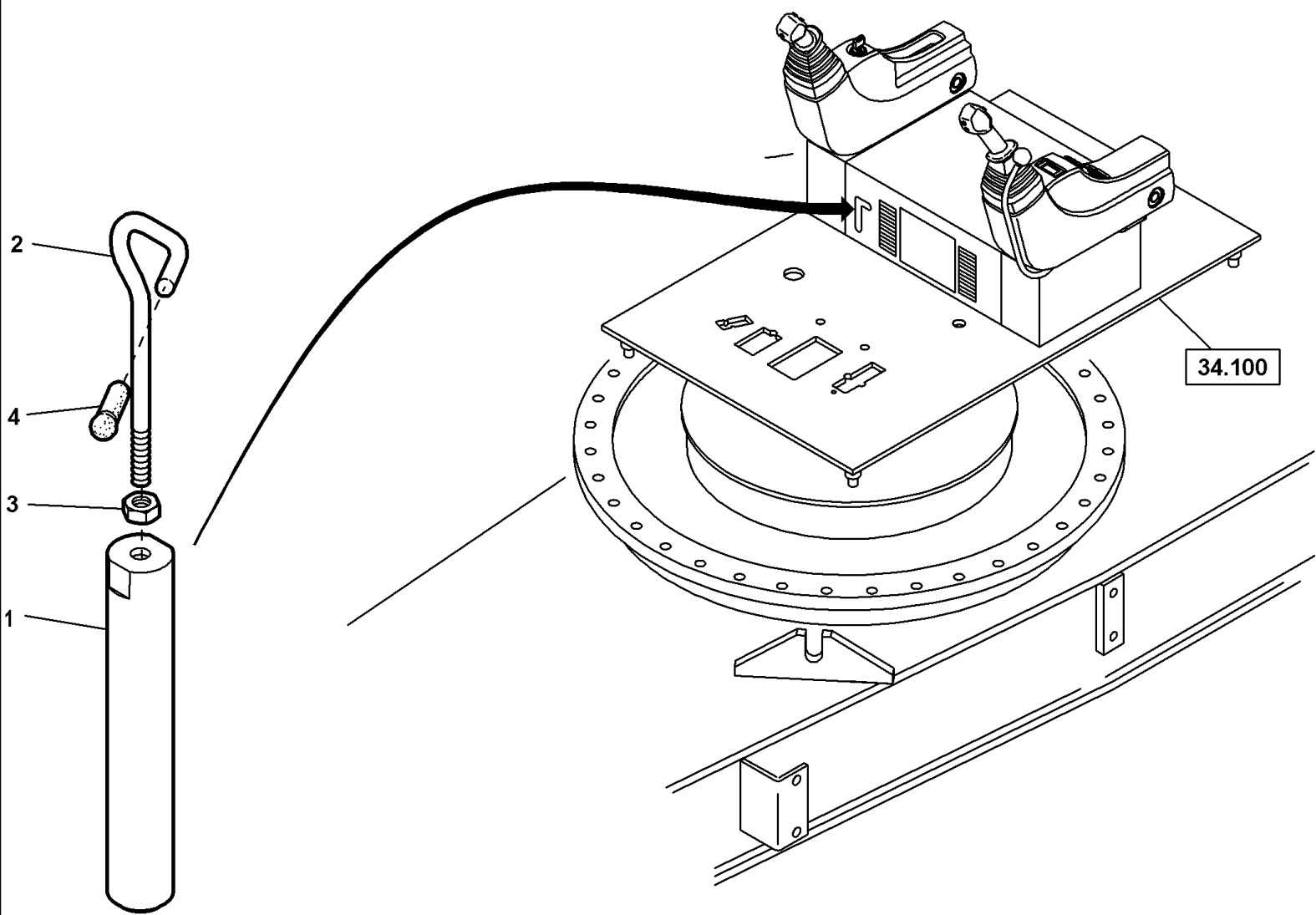
2992642



WX210 WHEELED EXCAVATOR (3/04-)

01.300(2987608000) FRAME UPPER CARRIAGE WITH MOUNT. PARTS

Ref	Part Number	Qty	Description
1	NS	1	COVER UPPER CARRIAGE SEE FIGURE 36.500/2987053000
4	NS	2	BEARING BOOM CYLINDERS SEE FIGURE 01.650/2985540000
5	NS	1	BEARING BOOM SEE FIGURE 01.670/2985541000
11	NS	1	BATTERY INSTALL.MATERIAL SEE FIGURE 31.300/002
33	NS	1	BRACKET INSTALL.MATERIAL SEE FIGURE 35.020/2812408000
101	1537245	6	CATSEYE
990	8917985		AR MOUNTING PARTS
991	1244842		AR MOUNTING PARTS
992	1273889		AR MOUNTING

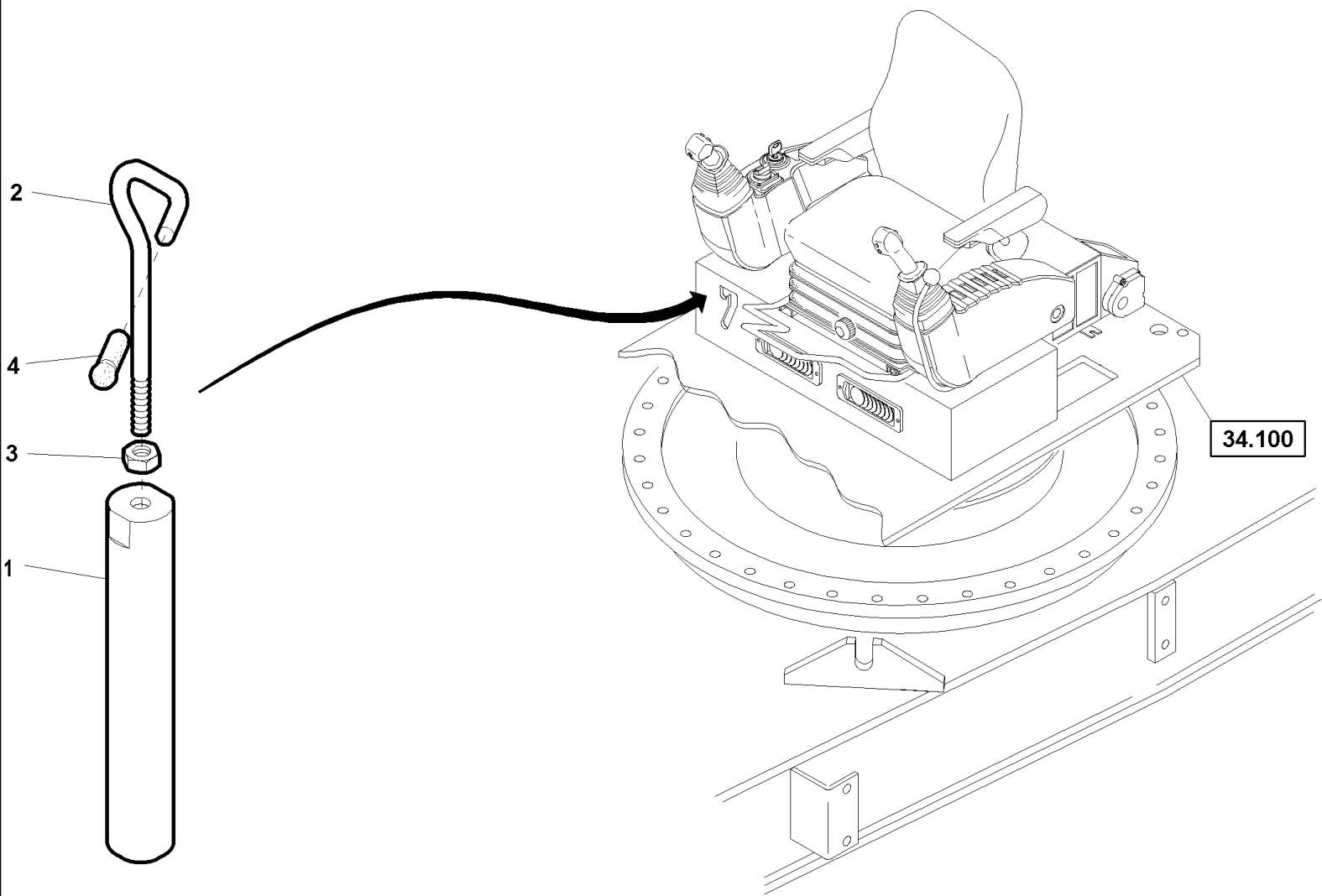


WX210 WHEELED EXCAVATOR (3/04-)

01.642(2984696000) LOCKING DEVICE FRAME

Ref	Part Number	Qty	Description
1	8914192	1	PIN
2	8914190	1	HANDLE
3	412672	1	NUT, LOCK, M12 x 1.75, CI 10
4	2479067	1	CAP
990	8914191	AR	LOCKING DEVICE

2992642

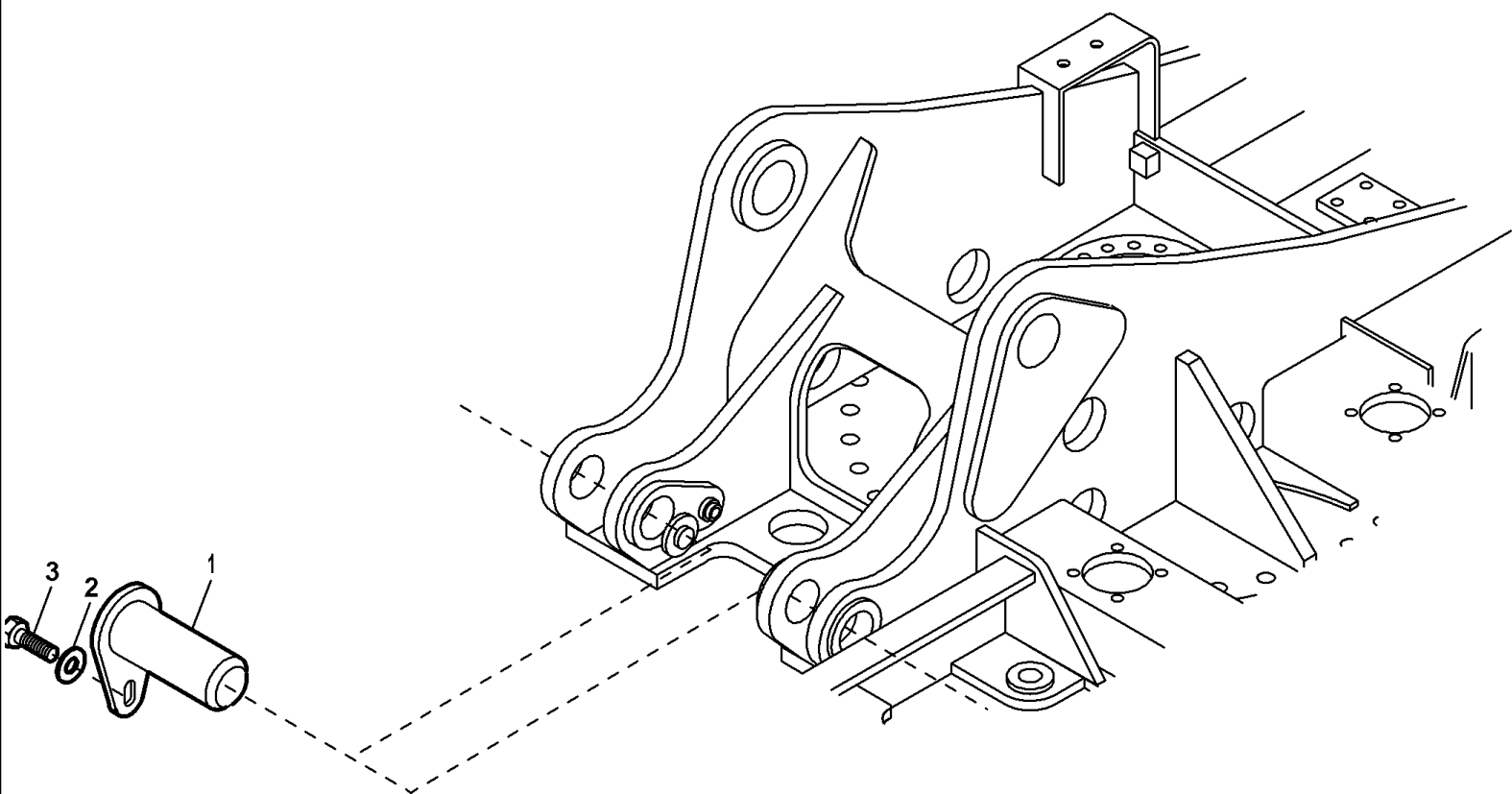


WX210 WHEELED EXCAVATOR (3/04-)

01.642(8914775000) LOCKING DEVICE FRAME

Ref	Part Number	Qty	Description
1	8914192	1	PIN
2	8926350	1	HANDLE
3	412672	1	NUT, LOCK, M12 x 1.75, CI 10
4	2479067	1	CAP

A 5124 00 00

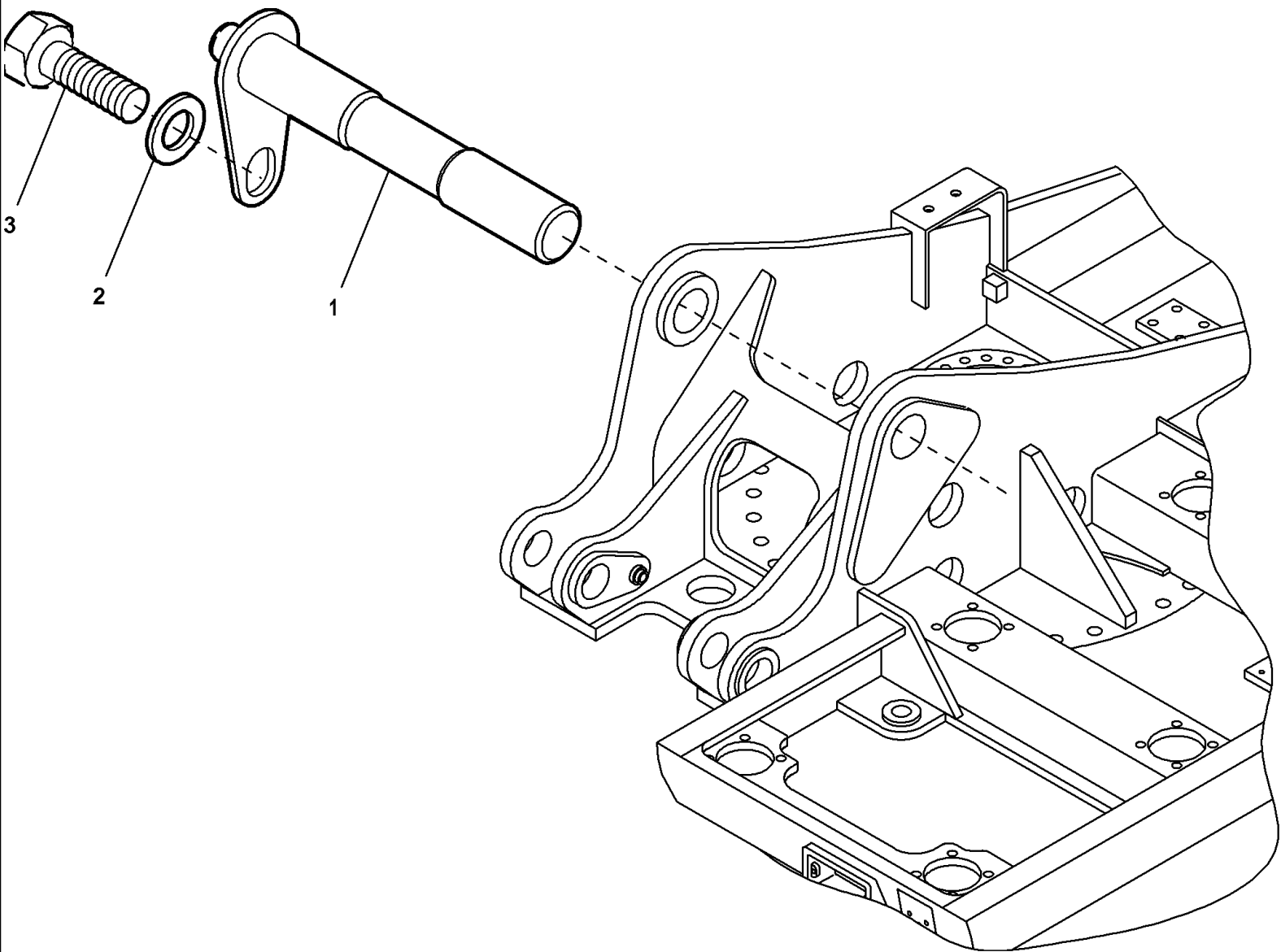


WX210 WHEELED EXCAVATOR (3/04-)

01.650(2985540000) BEARING BOOM CYLINDERS

Ref	Part Number	Qty	Description
1	8911722	1	PIN
2	2977292	1	HEXAGON BOLT
3	2247486	1	DISK/WASHER
990	8914078	AR	BEARING

2992642



WX210 WHEELED EXCAVATOR (3/04-)

01.670(2985541000) BEARING BOOM

Ref	Part Number	Qty	Description
1	8914540	1	PIN
2	2977292	1	HEXAGON BOLT
3	2247486	1	DISK/WASHER
990	8914073	AR	BEARING

2992642

BUY NOW

**Then Instant Download
the Complete Manual
Thank you very much!**