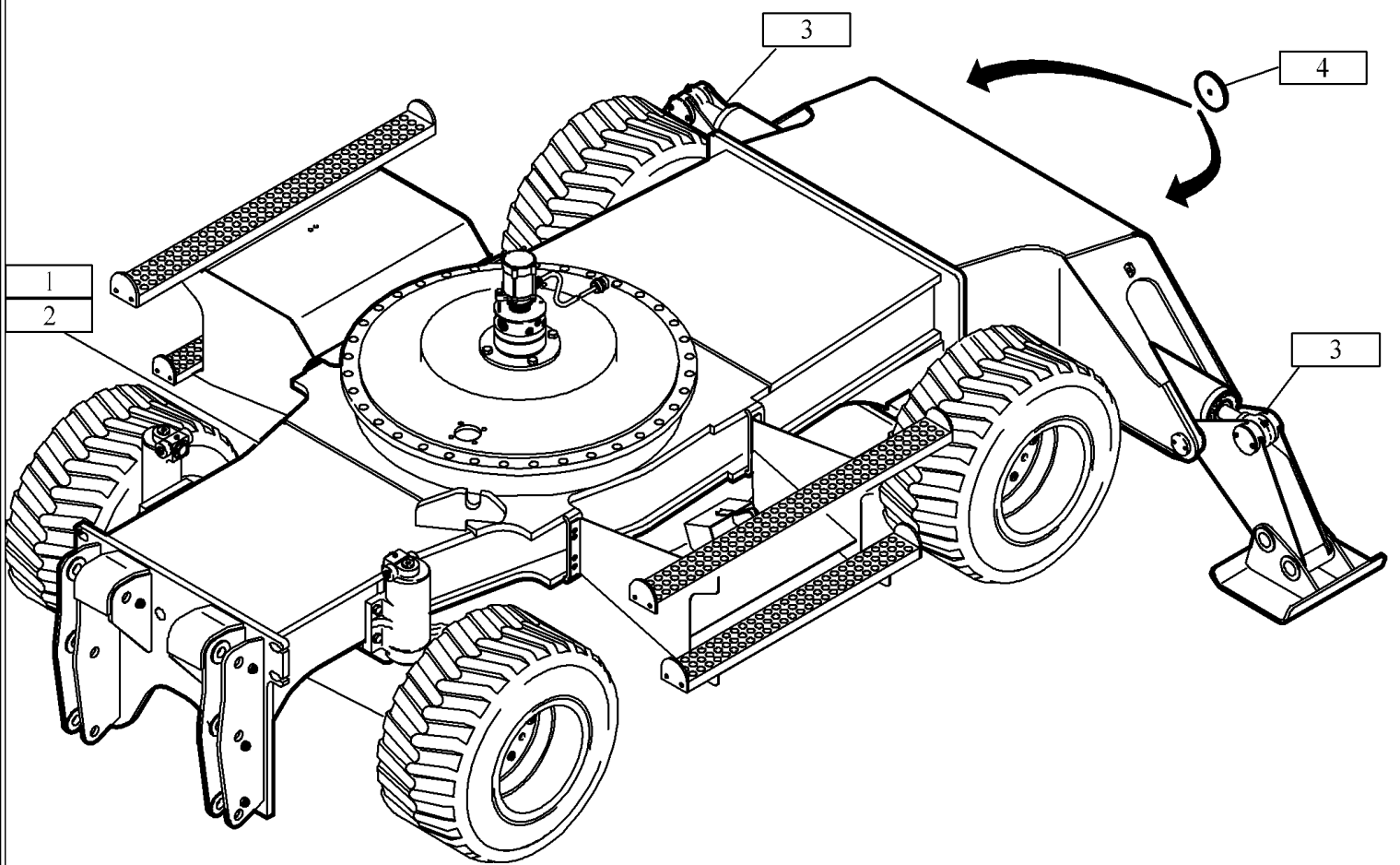




PARTS CATALOGUE

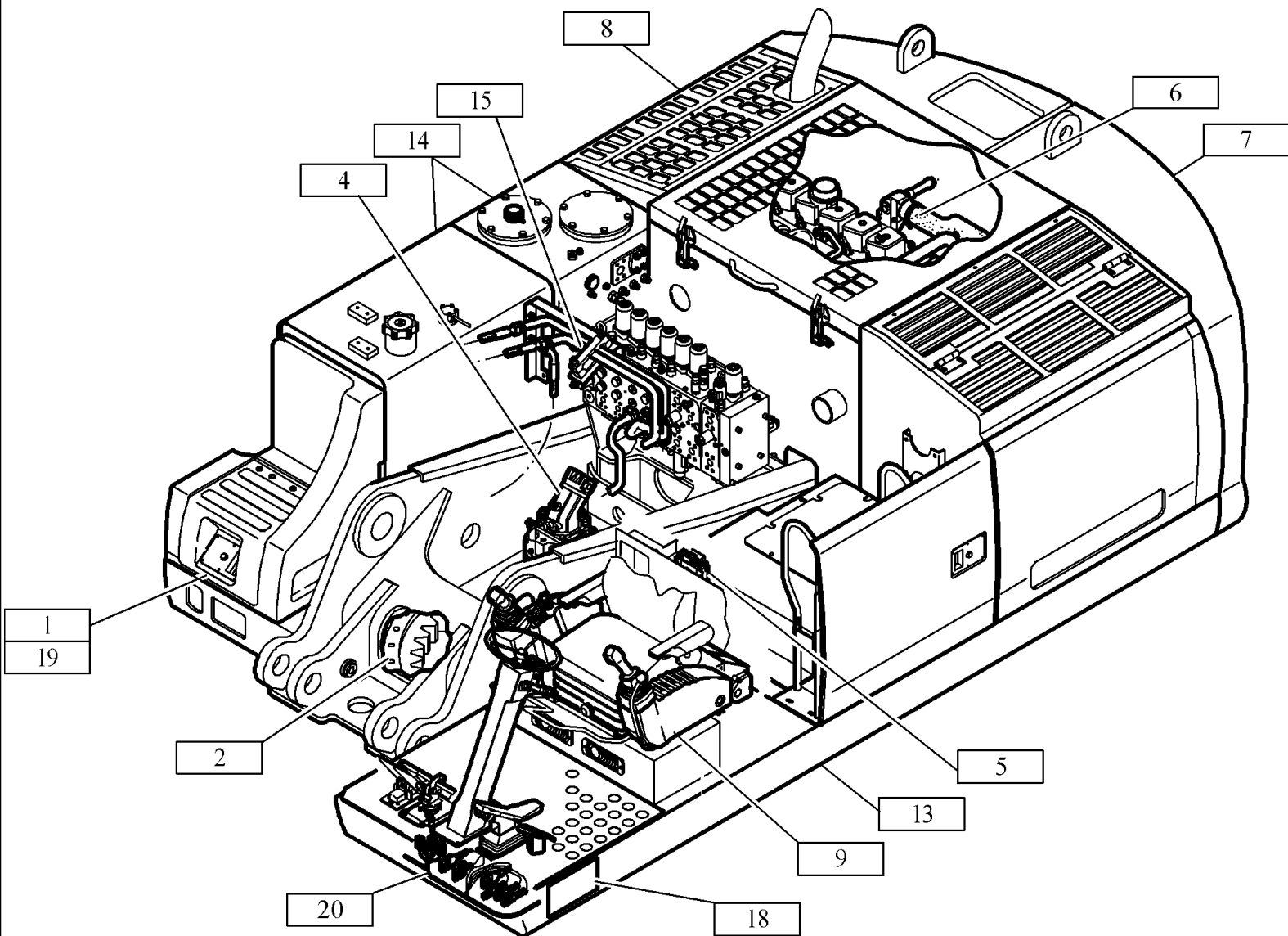
WX240



WX240 WHEELED EXCAVATOR (4/04-)

00.200(001) LOWER CARRIAGE EXCAVATOR (S/N 303501-UP)

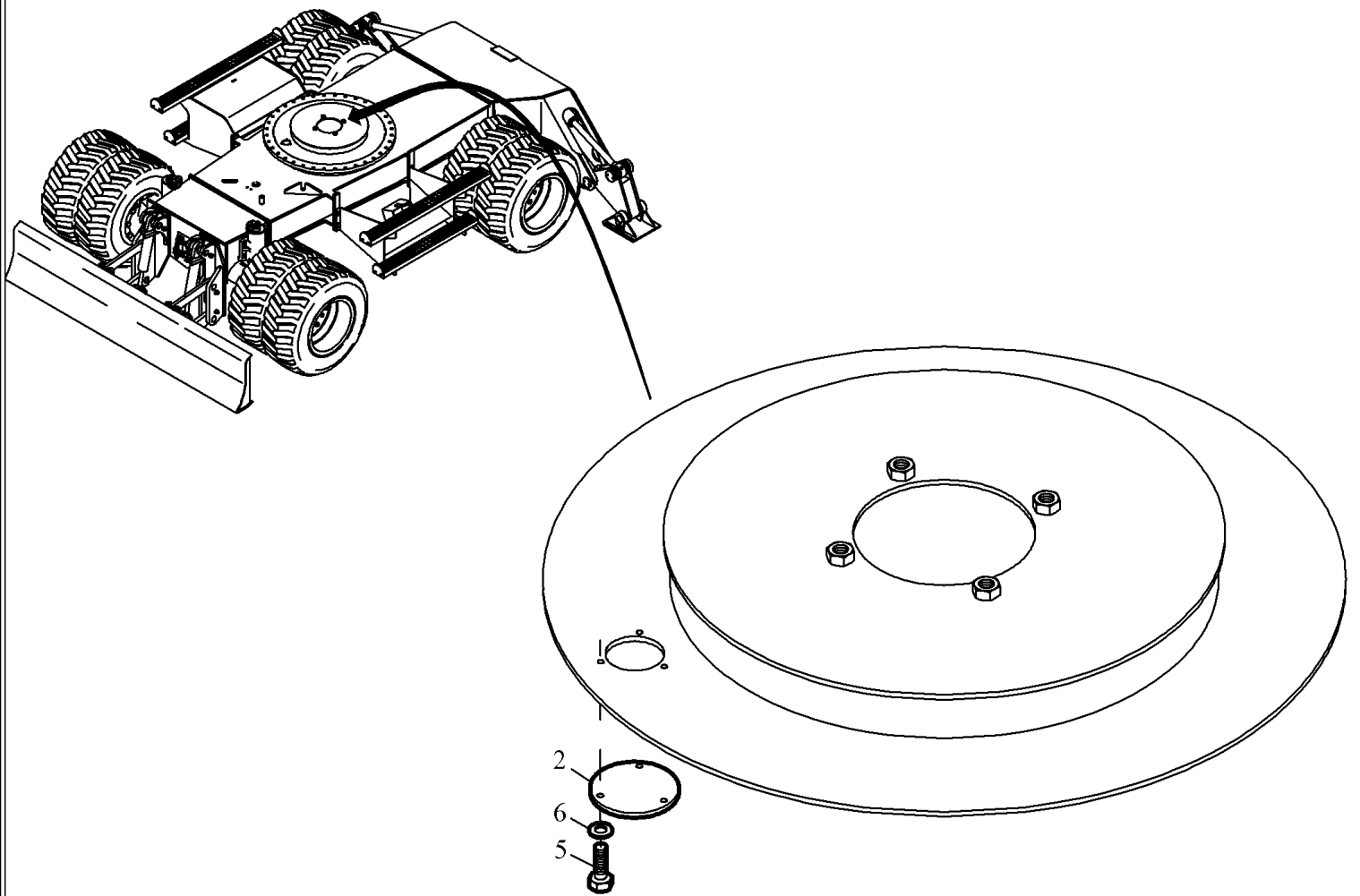
Ref	Part Number	Qty	Description
1	NS	1	SEE FIGURE 01.200/001
2	NS	1	SEE FIGURE 01.200/002
3	NS	1	SEE FIGURE 04.010/001
4	NS	2	SEE FIGURE 35.050/001



WX240 WHEELED EXCAVATOR (4/04-)

00.300(001) UPPER CARRIAGE EXCAVATOR (S/N 303501-UP)

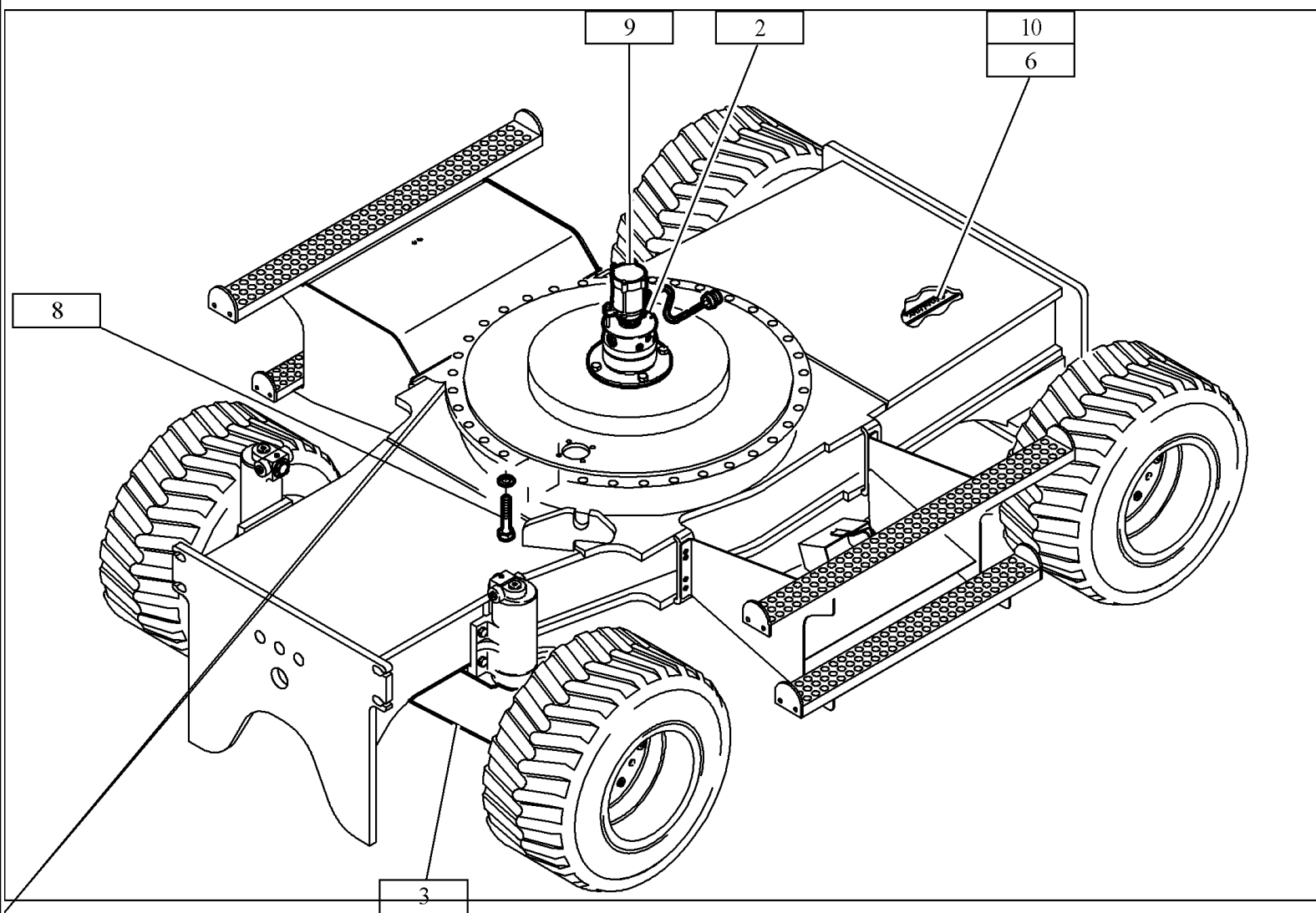
Ref	Part Number	Qty	Description
1	NS	1	SEE FIGURE 92.020/001
2	NS	1	SEE FIGURE 11.012/001
4	NS	1	SEE FIGURE 16.030/001
5	NS	1	SEE FIGURE 32.150/001
6	NS	1	SEE FIGURE 13.010/001
7	NS	1	SEE FIGURE 12.010/001
8	NS	1	SEE FIGURE 36.005/001
9	NS	1	SEE FIGURE 34.010/001
13	NS	1	SEE FIGURE 01.300/002
14	NS	1	SEE FIGURE 10.010/001
15	NS	1	SEE FIGURE 20.030/001
18	NS	1	SEE FIGURE 91.010/001
19	NS	1	SEE FIGURE 92.010/001
20	NS	1	SEE FIGURE 32.110/001



WX240 WHEELED EXCAVATOR (4/04-)

01.200(001) FRAME LOWER CARRIAGE WITH MOUNT. PARTS (S/N 303501-UP)

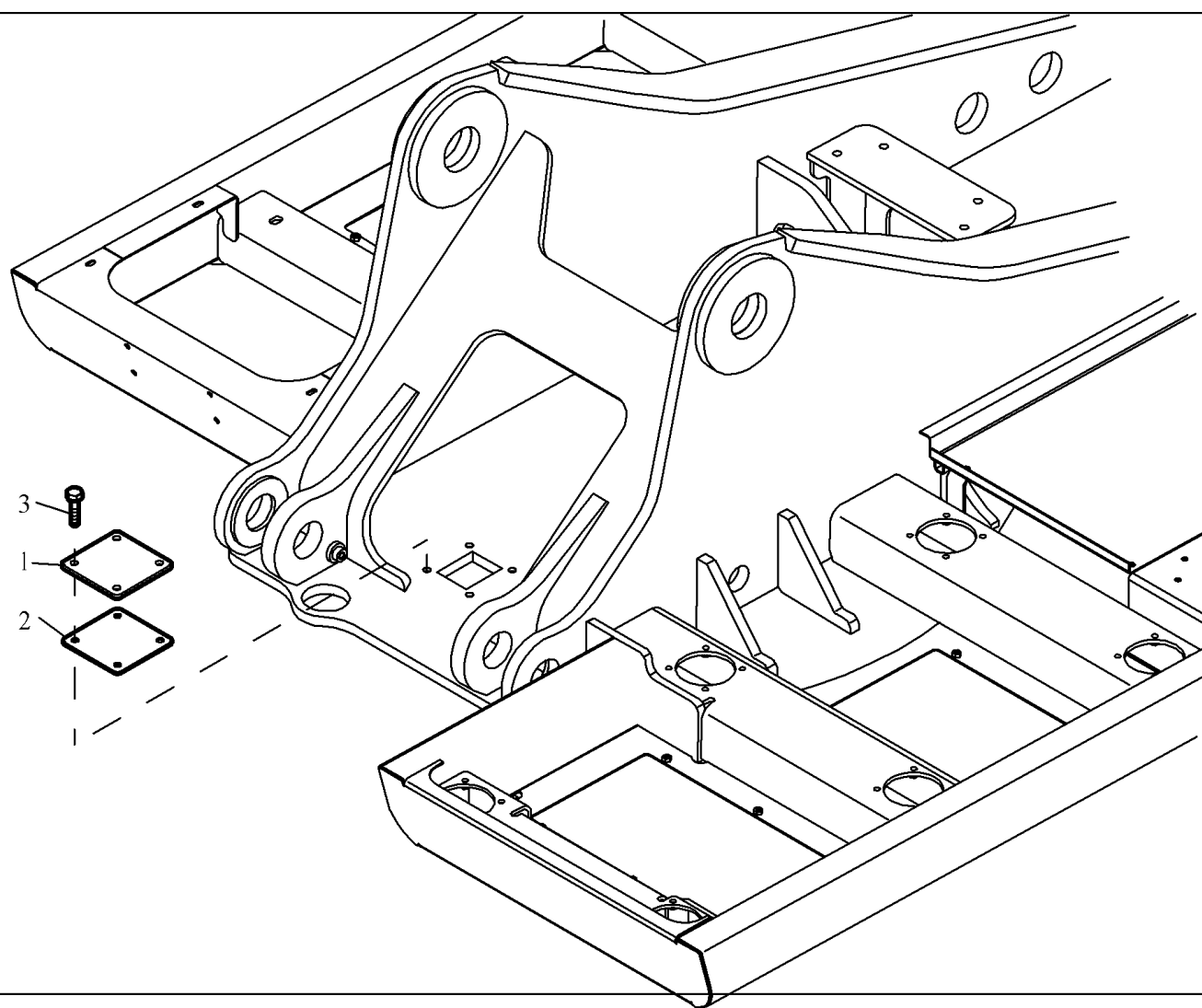
Ref	Part Number	Qty	Description
2	3030829	1	
5	614-6016	4	
6	895-11006	4	



WX240 WHEELED EXCAVATOR (4/04-)

01.200(002) FRAME LOWER CARRIAGE WITH MOUNT. PARTS (S/N 303501-UP)

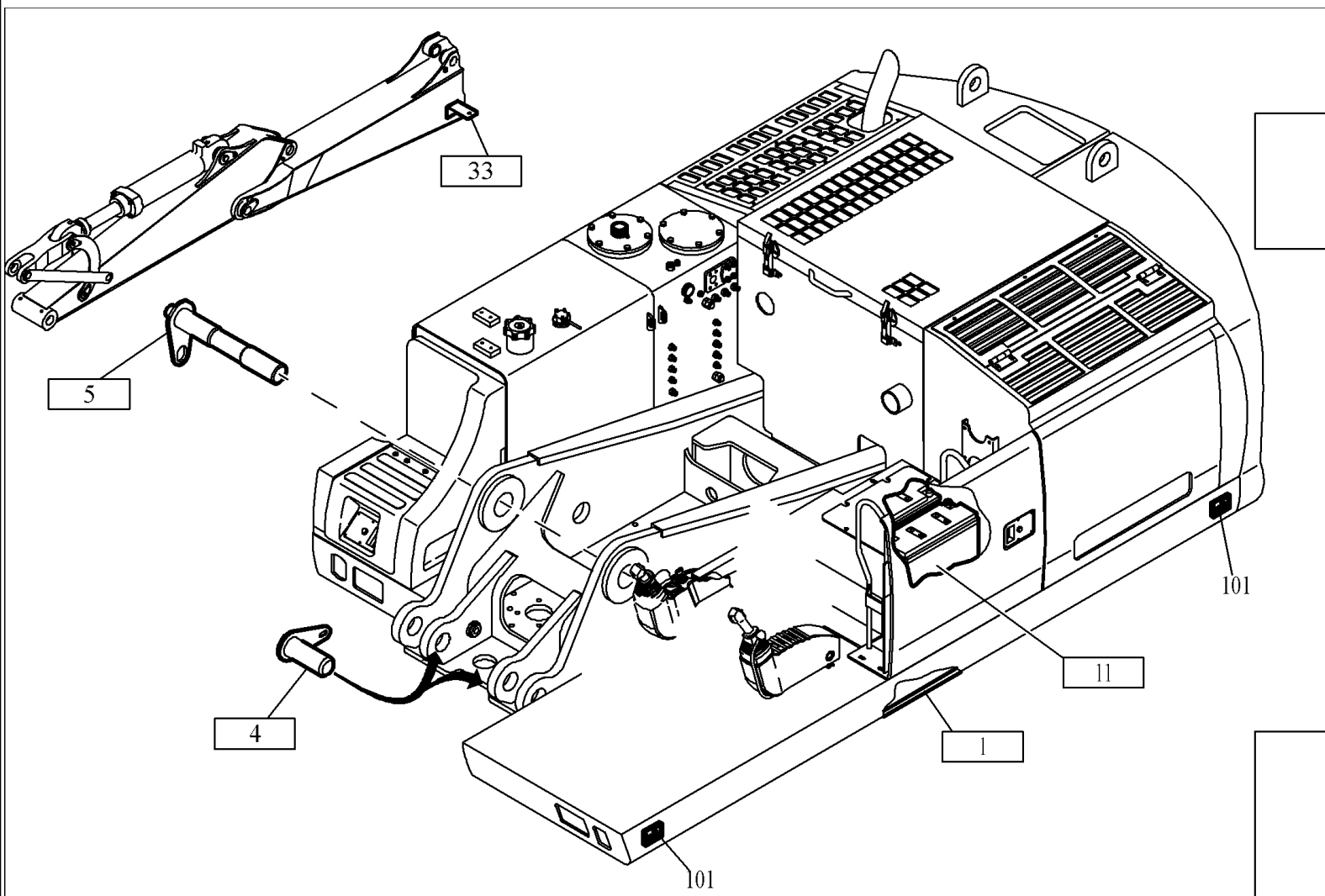
Ref	Part Number	Qty	Description
2	NS	1	SEE FIGURE 22.500/001
3	NS	1	SEE FIGURE 02.010/001
6	NS	1	SEE FIGURE 20.020/001
8	NS	1	SEE FIGURE 11.012/002
9	NS	1	SEE FIGURE 33.010/001
10	NS	1	SEE FIGURE 32.123/002



WX240 WHEELED EXCAVATOR (4/04-)

01.300(001) FRAME UPPER CARRIAGE WITH MOUNT. PARTS (S/N 303501-UP)

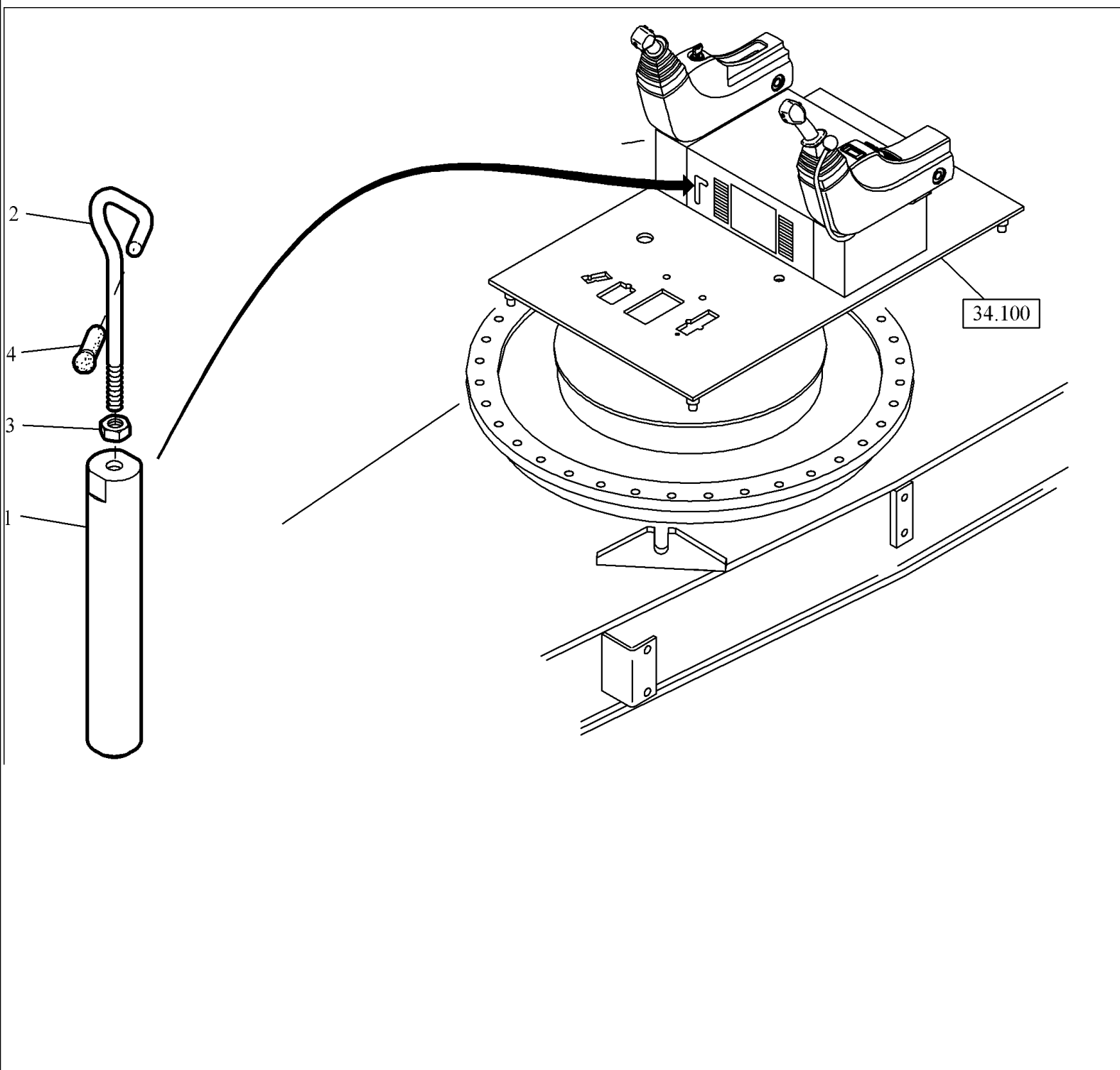
Ref	Part Number	Qty	Description
1	8902430	1	
2	8912589	1	
3	2975773	4	



WX240 WHEELED EXCAVATOR (4/04-)

01.300(002) FRAME UPPER CARRIAGE WITH MOUNT. PARTS (S/N 303501-UP)

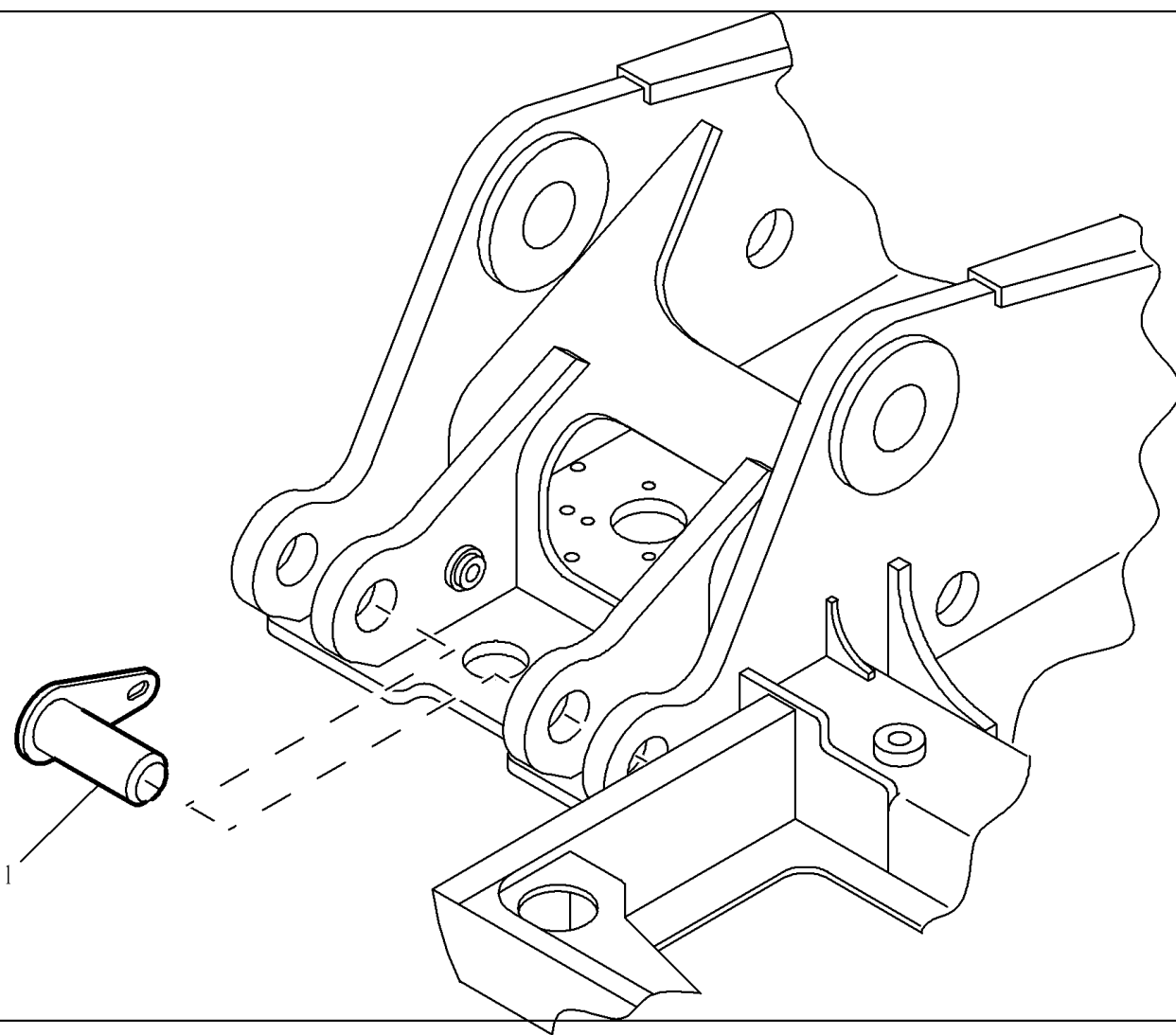
Ref	Part Number	Qty	Description
1	NS	1	SEE FIGURE 36.500/001
4	NS	2	SEE FIGURE 01.650/001
5	NS	1	SEE FIGURE 01.670/001
11	NS	1	SEE FIGURE 32.170/001
33	NS	1	SEE FIGURE 35.020/001
101	2929764	6	



WX240 WHEELED EXCAVATOR (4/04-)

01.642(001) LOCKING DEVICE FRAME (S/N 303501-UP)

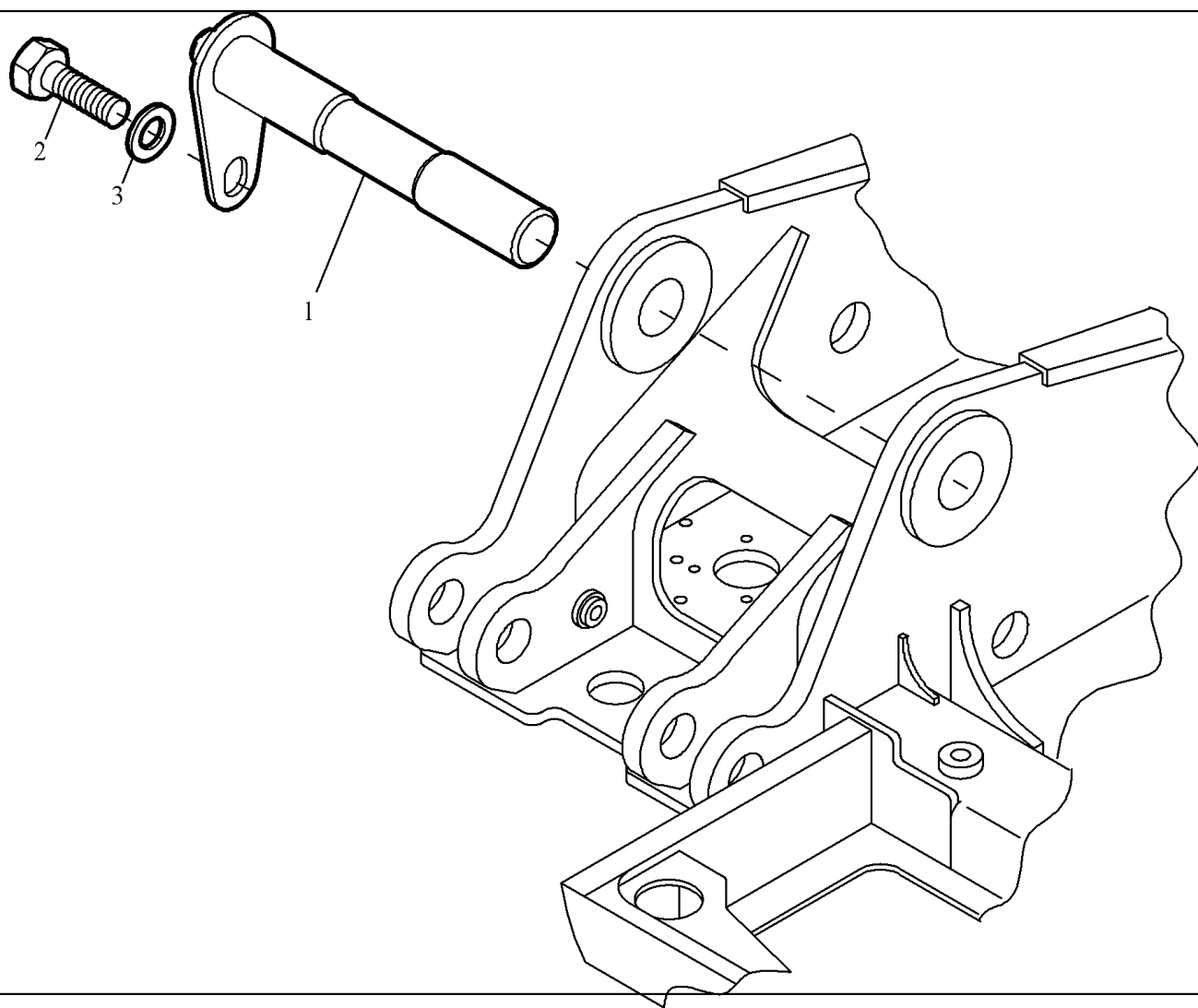
Ref	Part Number	Qty	Description
1	8914192	1	
2	8914190	1	
3	412672	1	
4	2479067	1	



WX240 WHEELED EXCAVATOR (4/04-)

01.650(001) BEARING BOOM CYLINDERS (S/N 303501-UP)

Ref	Part Number	Qty	Description
1	8901118	1	



WX240 WHEELED EXCAVATOR (4/04-)

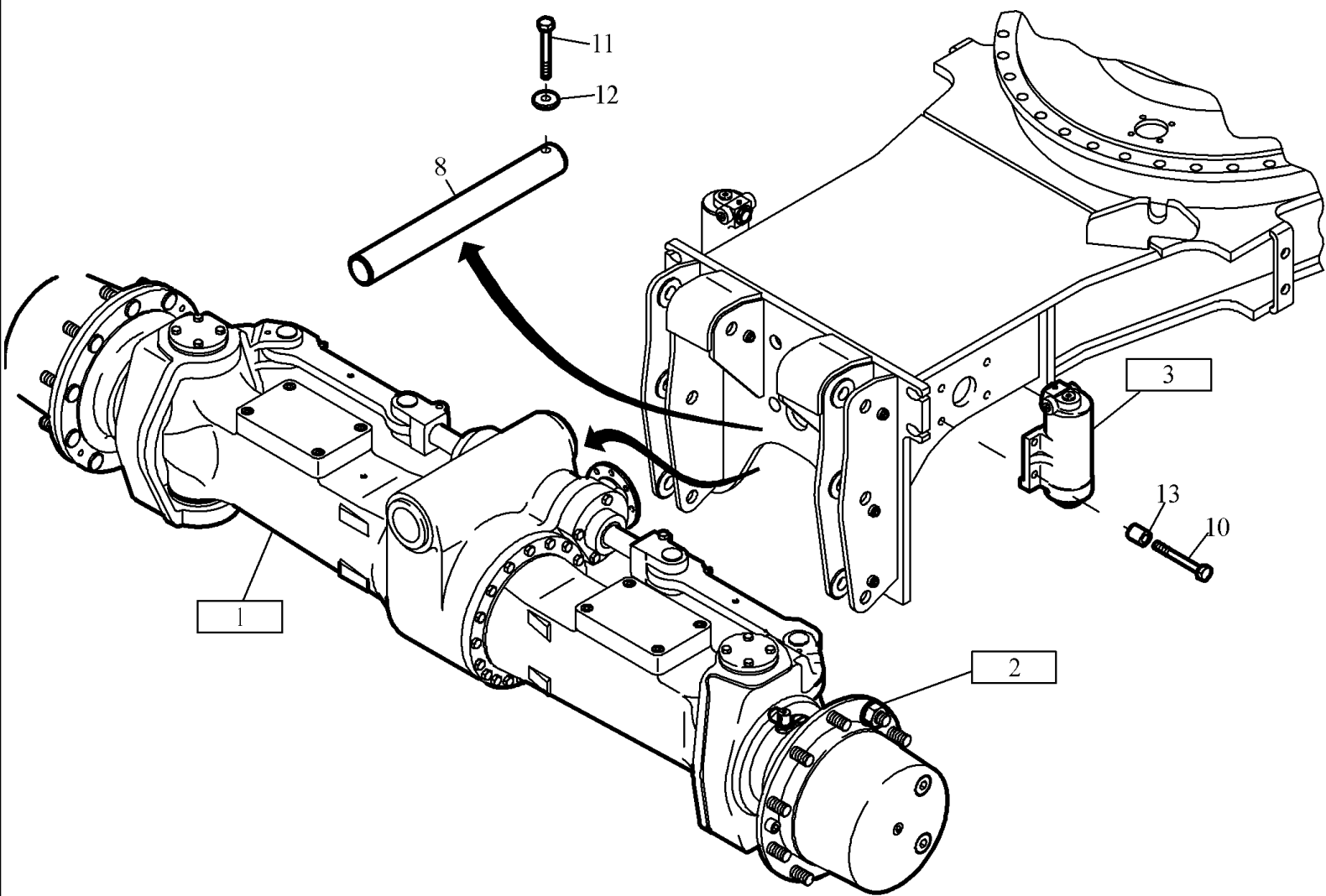
01.670(001) BEARING BOOM (S/N 303501-UP)

Ref	Part Number	Qty	Description
1	8914549	1	
2	2977292	1	
3	2247486	1	

WX240 WHEELED EXCAVATOR (4/04-)

01.810(001) STEPS INSTALL.MATERIAL (S/N 303501-UP)

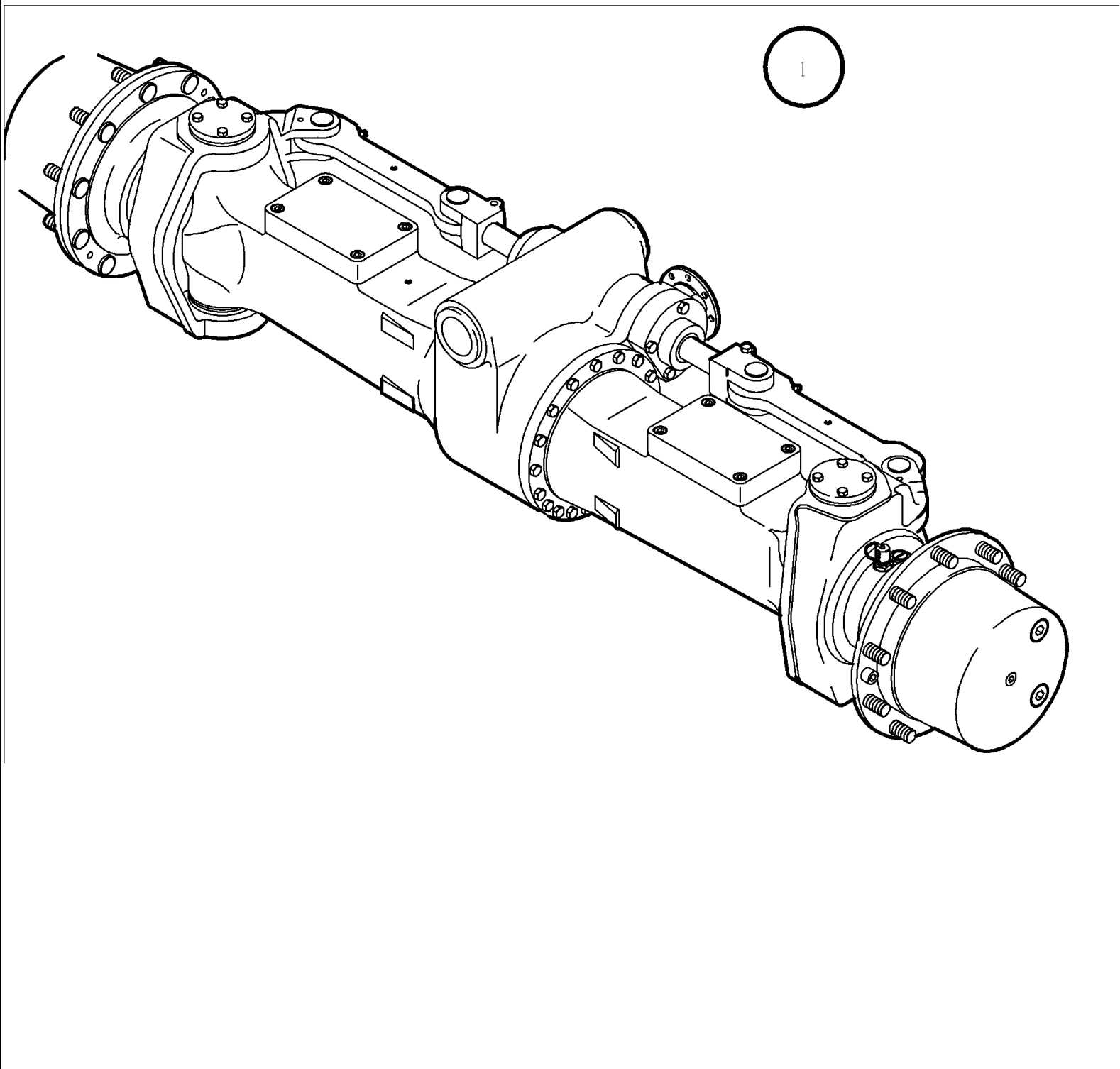
Ref	Part Number	Qty	Description
1	8919687	2	
5	614-16030	8	
6	2974088	8	
101	8919689	1	
102	1758070	AR	
103	2292135	1	
104	2292133	1	
105	1558667	2	
106	1188050	1	
107	8914423	1	
108	8919691	1	
110	2186414	1	
111	378056	3	
112	9706755	6	
113	896-11006	9	
116	627-6030	2	Hex, M6 x 30, 10.9, Full Thd
117	614-6022	2	
118	2975160	2	
119	421003A1	2	
120	614-8020	1	
121	2975567	1	
122	420221A1	1	
124	2478899	2	
125	8914431	4	
126	78008	8	
130	614-12040	8	
131	825-1412	8	
132	2975164	8	
203	1296565	1	



WX240 WHEELED EXCAVATOR (4/04-)

02.010(001) STEERING AXLE INSTALL.MATERIAL (S/N 303501-UP)

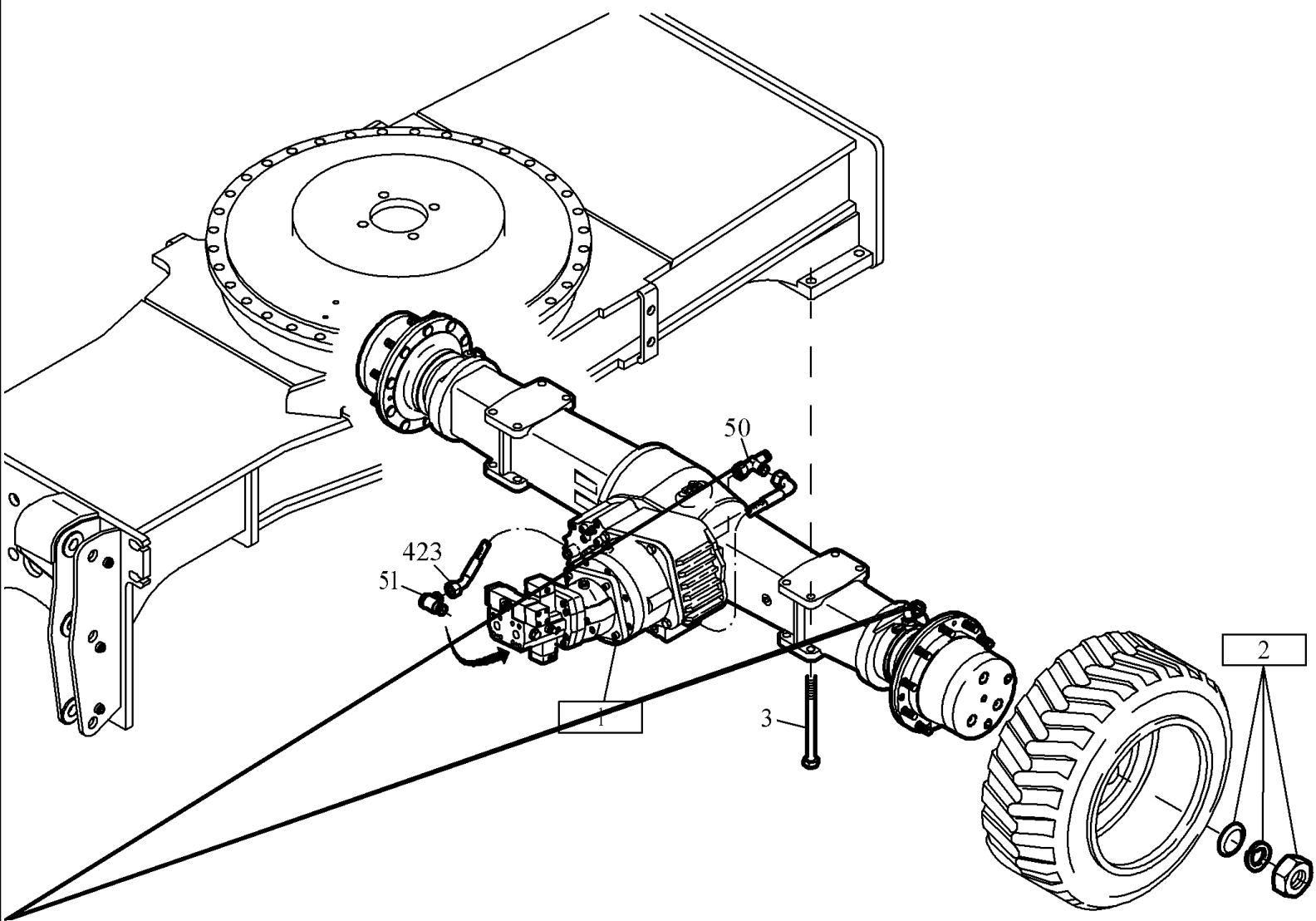
Ref	Part Number	Qty	Description
1	NS	1	SEE FIGURE 02.012/001
2	NS	1	SEE FIGURE 05.110/001
3	NS	2	SEE FIGURE 24.310/001
8	8903560	1	
10	1637385	8	
11	518161	1	
12	2247485	1	
13	1295142	8	



WX240 WHEELED EXCAVATOR (4/04-)

02.012(001) STEERING AXLE (S/N 303501-UP)

Ref	Part Number	Qty	Description
1	2815845	1	



WX240 WHEELED EXCAVATOR (4/04-)

02.060(001) RIGID AXLE INSTALL.MATERIAL 30KM/H (S/N 303501-UP)

Ref	Part Number	Qty	Description
1	NS	1	SEE FIGURE 02.062/001
2	NS	1	SEE FIGURE 05.110/001
3	251834	8	
50	420468A1	1	
51	420469A1	1	
423	8919204	1	

BUY NOW

**Then Instant Download
the Complete Manual
Thank you very much!**