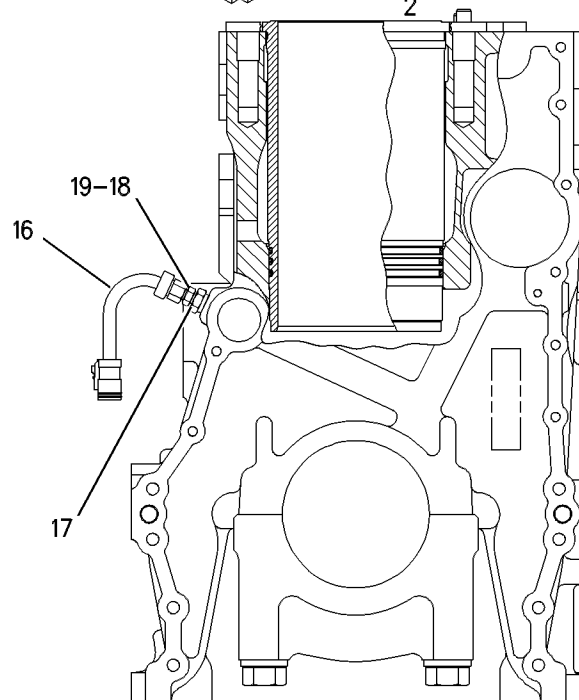
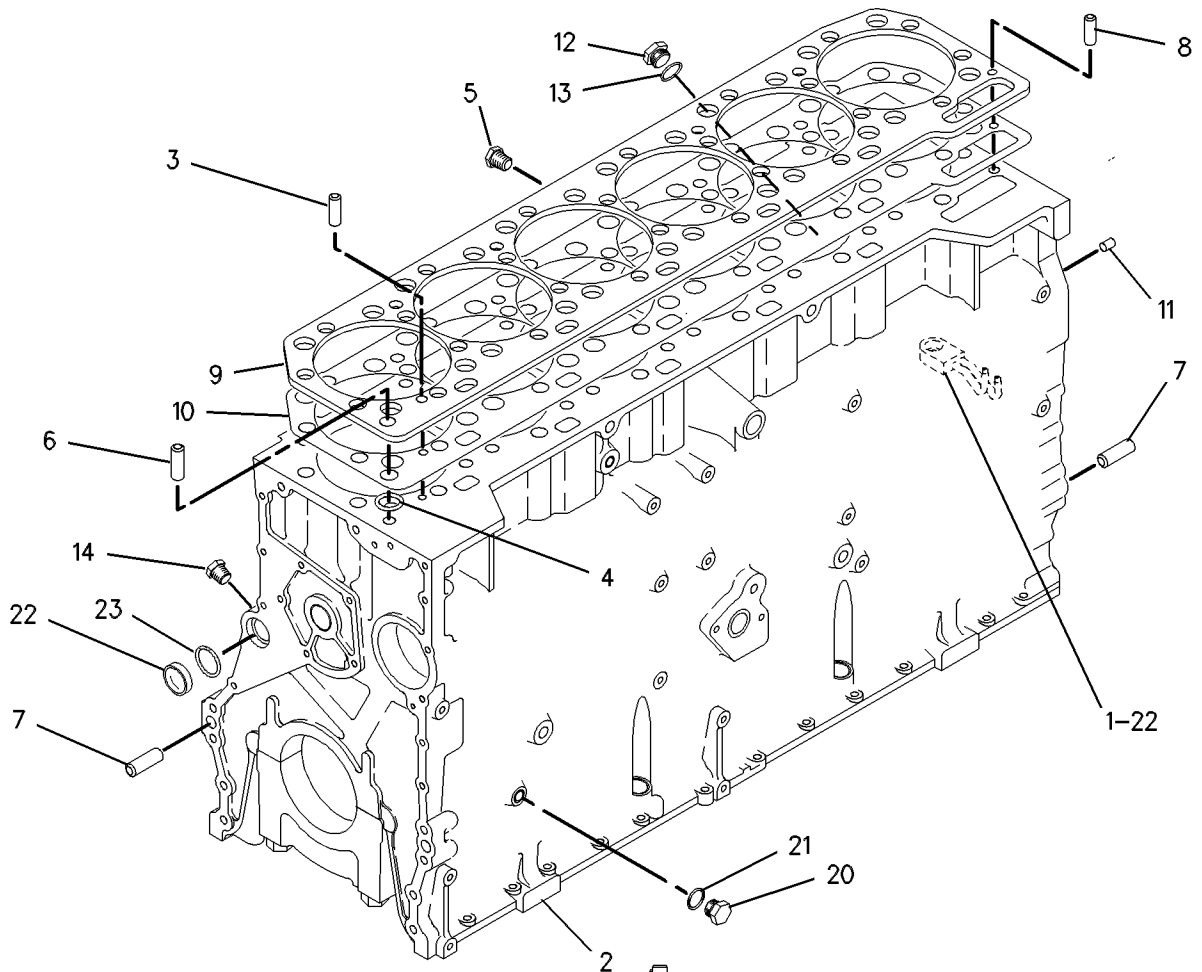


BASIC ENGINE

107-2232 CYLINDER BLOCK GP (contd.)

i01300021



FRONT VIEW

GRAPHIC #1

g00617456

BASIC ENGINE

133-3485 CYLINDER BLOCK GP

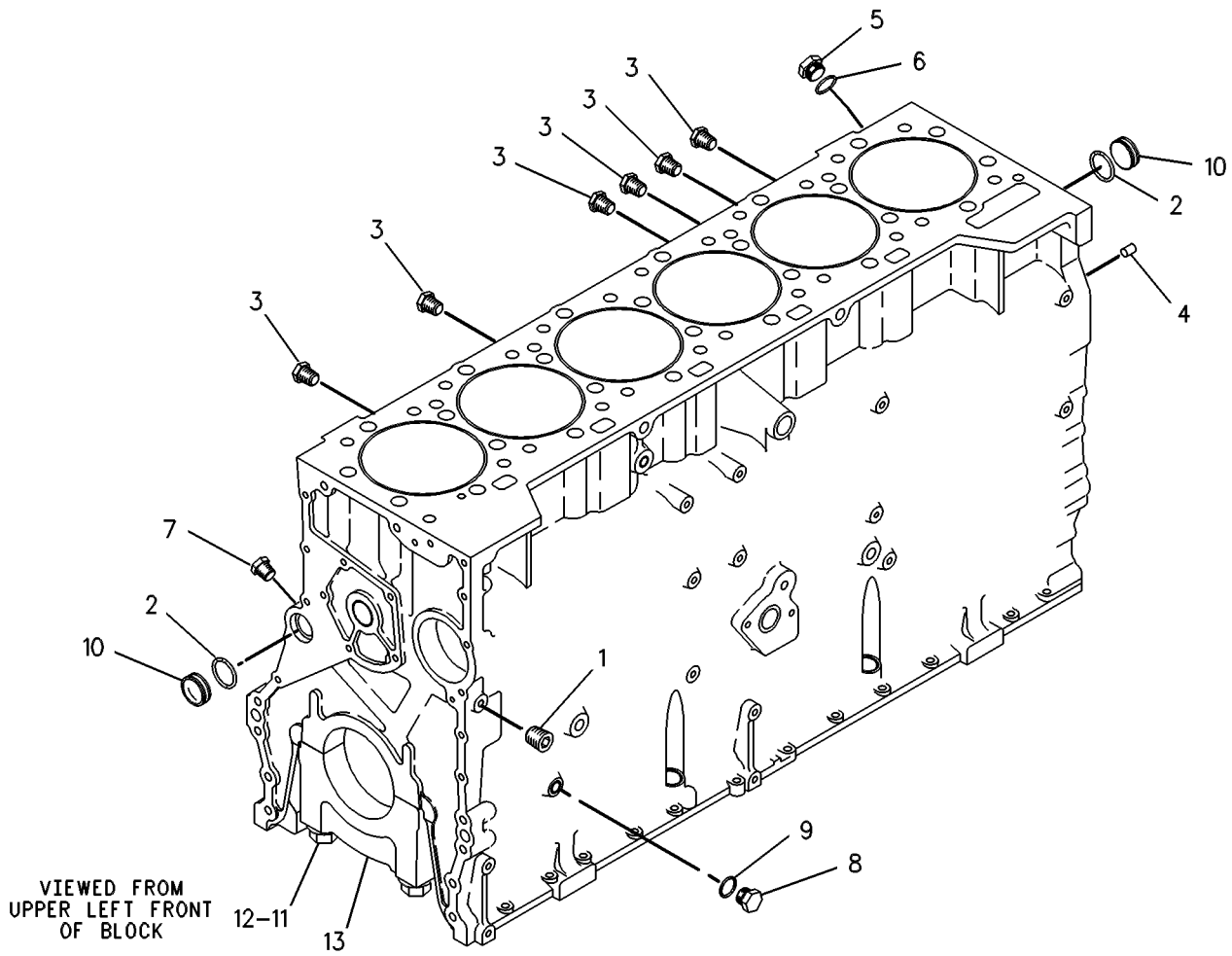
FIELD REPLACEMENT FOR 107-2232-PAGE 42

FIELD INSTALLATION

SMCS-1201

i00671870

NOTE	REF NO	GRAPHIC REF	PART NUMBER	QTY	PART NAME						SEE PAGE
					1	2	3	4	5	6 (PRODUCT LEVEL)	
	1	1	8T-6757	1	PLUG-PIPE (1/8-27 NPTF THD)						
	2	1	3E-6747	1	SEAL-O-RING (32.99MM ID)						
	3	1	7W-6492	6	PLUG-PIPE (1/2-14 NPTF THD)						
	4	1	8S-9094	1	PLUG-ORIFICE						
	5	1	9S-4190	1	PLUG-O-RING (7/16-20 THD)						
	6	1	114-4427	1	SEAL-O-RING (19.18MM ID)						
	7	1	7X-7732	6	PLUG-PIPE						
	8	1	9S-4182	1	PLUG (7/16-20 THD)						
	9	1	9X-7378	1	SEAL-O-RING (8.92MM ID)						
	10	1	100-7399	1	PLUG						
	11	1	3P-1323	14	BOLT-BEARING CAP						
	12	1	9H-1031	14	WASHER-HARD (6.0MM THK)						
	13	1	4N-5857	7	CAP						



GRAPHIC #1

g00263212

BASIC ENGINE

137-8469 CYLINDER BLOCK GP

S/N: 9WR489-UP

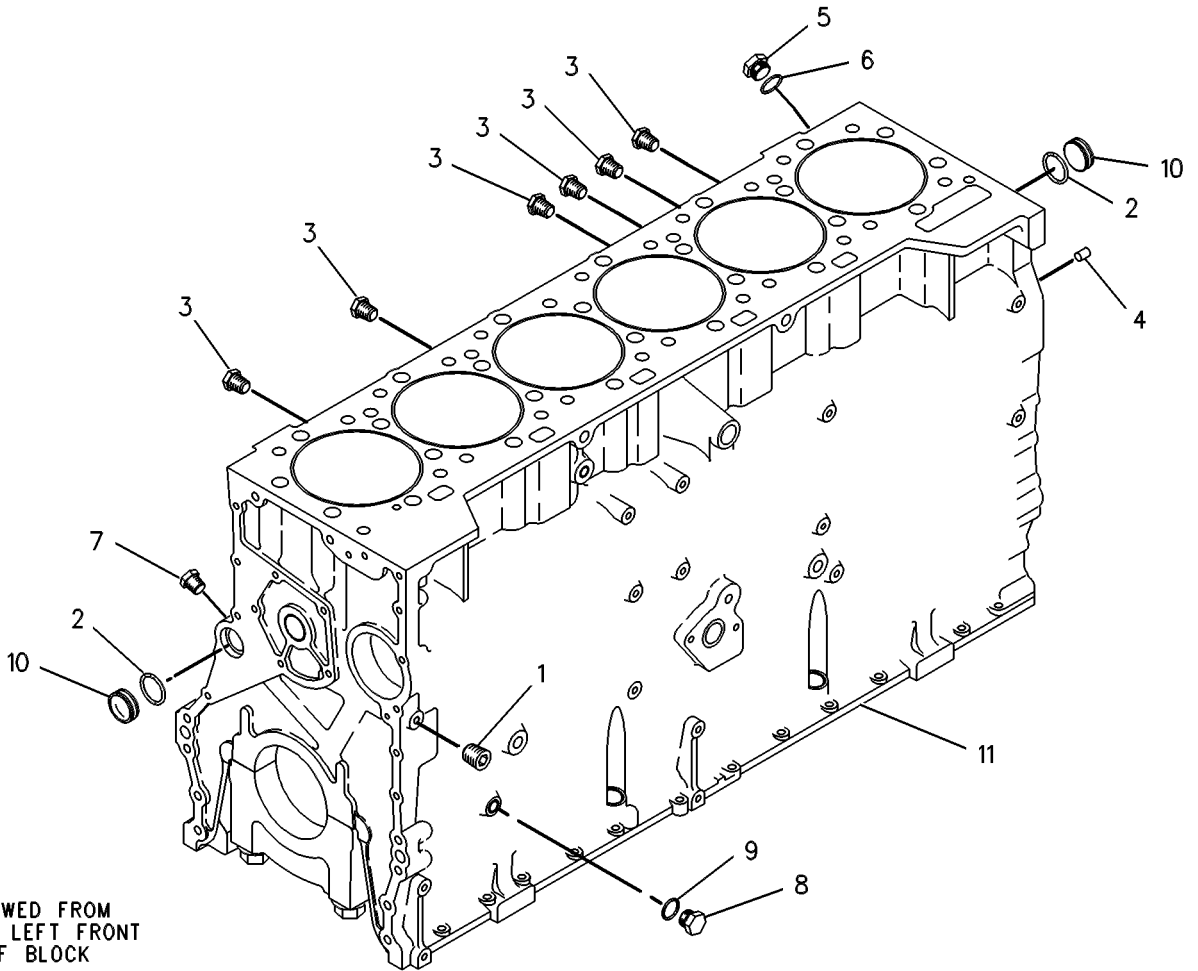
FIELD REPLACEMENT FOR 150-8016—PAGE 48

SMCS-1201

i00832254

NOTE	REF NO	GRAPHIC REF	PART NUMBER	QTY	PART NAME						SEE PAGE
					1	2	3	4	5	6 (PRODUCT LEVEL)	
	1	1	8T-6757	1	PLUG-PIPE (1/8-27 NPTF THD)						
	2	1	3E-6747	2	SEAL-O-RING (32.99MM ID)						
	3	1	7W-6492	4	PLUG-PIPE (1/2-14 NPTF THD)						
	4	1	8S-9094	1	PLUG-ORIFICE						
	5	1	9S-4190	1	PLUG-O-RING (7/16-20 THD)						
	6	1	114-4427	1	SEAL-O-RING (19.18MM ID)						
	7	1	7X-7732	6	PLUG-PIPE						
	8	1	9S-4182	1	PLUG (7/16-20 THD)						
	9	1	9X-7378	1	SEAL-O-RING (8.92MM ID)						
	10	1	100-7399	2	PLUG						
Y	11	1	137-8468	1	CYLINDER BLOCK AS						41

Y-SEPARATE ILLUSTRATION



VIEWED FROM
UPPER LEFT FRONT
OF BLOCK

GRAPHIC #1

g00265762

BASIC ENGINE

145-8859 CYLINDER BLOCK GP

S/N: 9WR1-488

SMCS-1201

i01157196

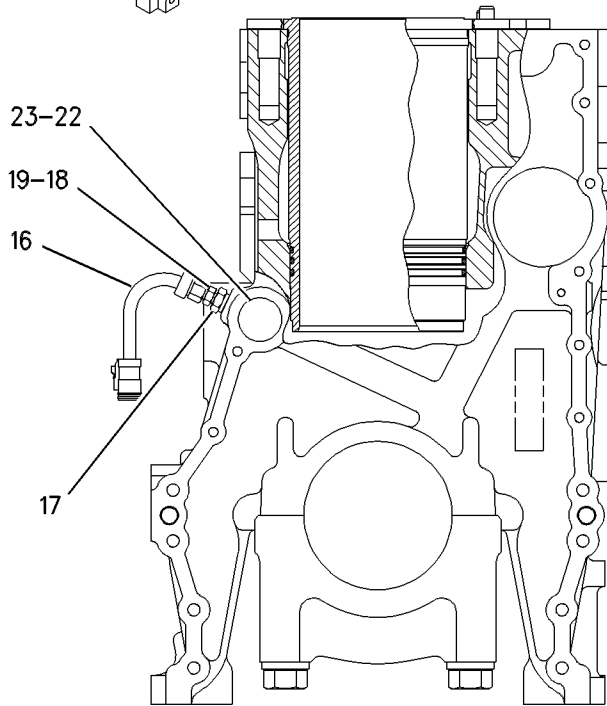
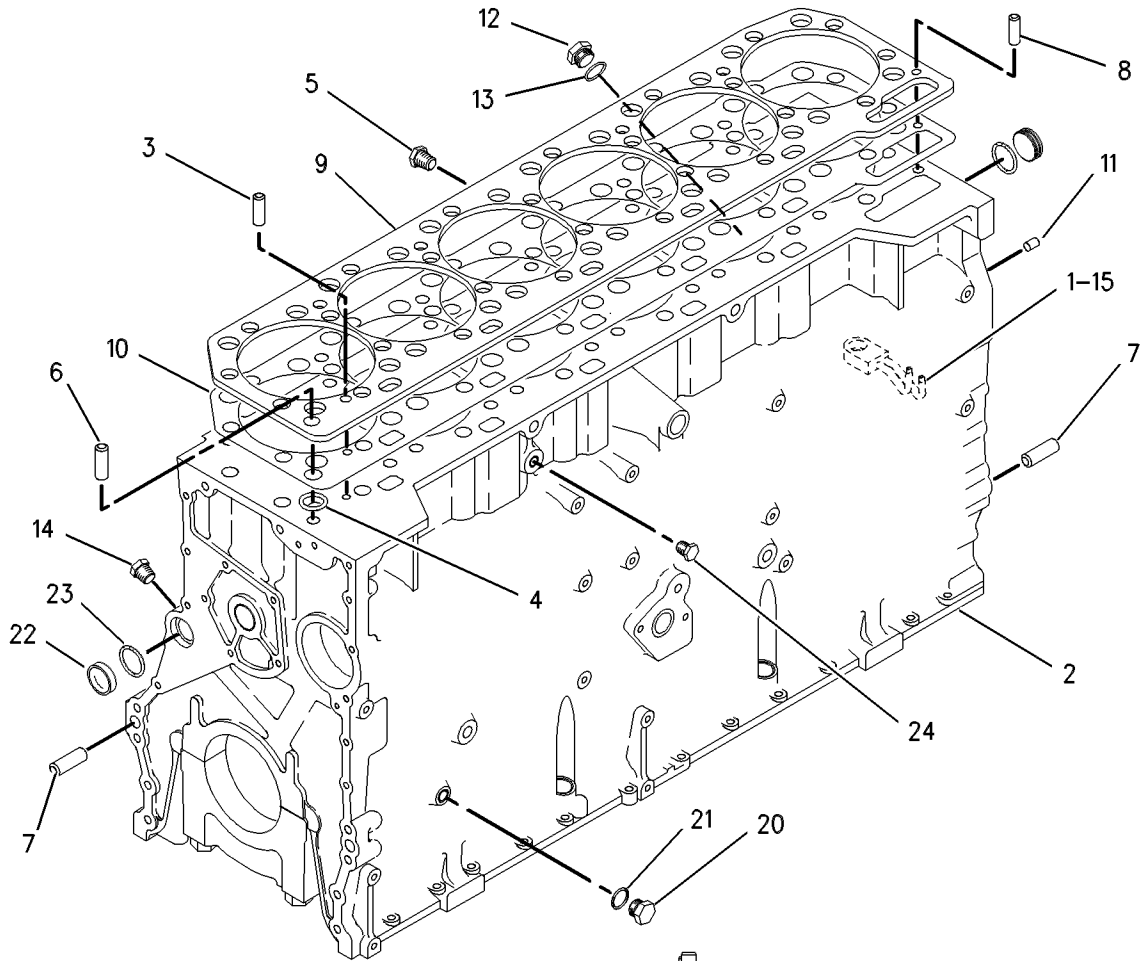
NOTE	REF NO	GRAPHIC REF	PART NUMBER	QTY	PART NAME						SEE PAGE
					1	2	3	4	5	6 (PRODUCT LEVEL)	
	1	1	145-6860	6	TUBE AS-OIL JET						
Y	2	1	137-2671	1	CYLINDER BLOCK AS						39
	3	1	1S-9540	1	DOWEL (30.23 MM X 9.37 MM)						
	4	1	5P-0840	1	SEAL-O-RING (12.29MM ID)						
	5	1	7W-6492	6	PLUG-PIPE (1/2-14 NPTF THD)						
	6	1	6I-1055	1	DOWEL						
	7	1	4N-0683	4	DOWEL						
	8	1	4N-1650	1	DOWEL						
	9	1	6I-4421	1	PLATE-SPACER						
	10	1	133-9827	1	GASKET-PLATE						
	11	1	8S-9094	1	PLUG-ORIFICE						
	12	1	9S-4190	1	PLUG-O-RING (7/16-20 THD)						
	13	1	114-4427	1	SEAL-O-RING (19.18MM ID)						
	14	1	7X-7732	5	PLUG-PIPE (3/8-18 NPTF THD)						
	15	1	150-1156	6	BOLT-OIL JET						
	16	1	111-2350	1	SENSOR GP-PRESSURE (OIL)						
	17	1	3B-7722	1	BUSHING-PIPE						
	18	1	5N-2126	1	ADAPTER-EXHAUST (THERMOCOUPLE)						
	19	1	6V-5048	1	SEAL-O-RING (8.92MM ID)						
	20	1	9S-4182	1	PLUG (7/16-20 THD)						
	21	1	9X-7378	1	SEAL-O-RING (8.92MM ID)						
	22	1	100-7399	2	PLUG						
	23	1	3E-6747	2	SEAL-O-RING (32.99MM ID)						
	24	1	8T-6767	1	PLUG-PIPE (3/8-18 NPTF THD)						

Y- SEPARATE ILLUSTRATION

BASIC ENGINE

145-8859 CYLINDER BLOCK GP (contd.)

i01157196



FRONT VIEW

GRAPHIC #1

g00617385

BASIC ENGINE

150-8016 CYLINDER BLOCK GP

S/N: 9WR489-UP

FIELD REPLACEMENT ORDER 137-8469--PAGE 45

SMCS-1201

i01212885

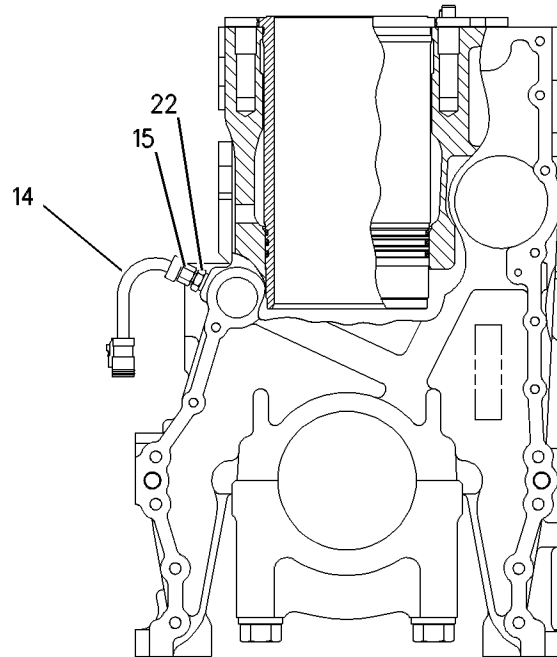
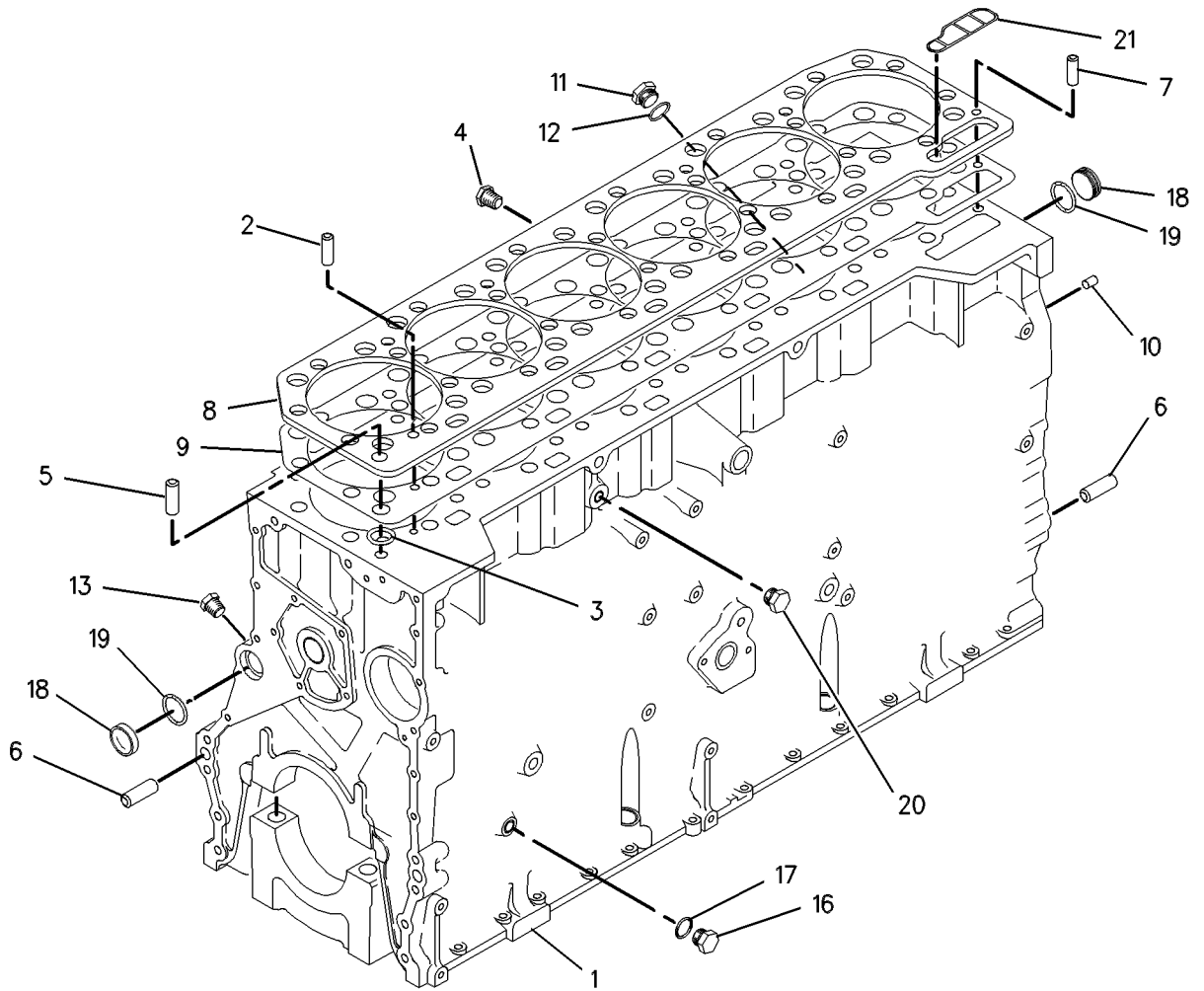
NOTE	REF NO	GRAPHIC REF	PART NUMBER	QTY	PART NAME						SEE PAGE
					1	2	3	4	5	6 (PRODUCT LEVEL)	
Y	1	1	137-8467	1	CYLINDER BLOCK AS						40
	2	1	1S-9540	1	DOWEL (30.23 MM X 9.37 MM)						
	3	1	5P-0840	1	SEAL-O-RING (12.29MM ID)						
	4	1	7W-6492	6	PLUG-PIPE (1/2-14 NPTF THD)						
	5	1	6I-1055	1	DOWEL						
	6	1	4N-0683	4	DOWEL						
	7	1	4N-1650	1	DOWEL						
	8	1	6I-4421	1	PLATE-SPACER						
	9	1	180-5734	1	GASKET-PLATE						
	10	1	8S-9094	1	PLUG-ORIFICE						
	11	1	9S-4190	1	PLUG-O-RING (7/16-20 THD)						
	12	1	114-4427	1	SEAL-O-RING (19.18MM ID)						
	13	1	7X-7732	5	PLUG-PIPE (3/8-18 NPTF THD)						
Y	14	1	161-9930	1	SENSOR GP-PRESSURE (OIL)						320
	15	1	6V-5048	1	SEAL-O-RING (8.92MM ID)						
	16	1	9S-4182	1	PLUG (7/16-20 THD)						
	17	1	9X-7378	1	SEAL-O-RING (8.92MM ID)						
	18	1	100-7399	2	PLUG						
	19	1	3E-6747	2	SEAL-O-RING (32.99MM ID)						
	20	1	8T-6767	1	PLUG-PIPE (3/8-18 NPTF THD)						
	21	1	142-2329	1	SEAL-DRAINBACK						
	22	1	3E-7448	1	CONNECTOR						

Y-SEPARATE ILLUSTRATION

BASIC ENGINE

150-8016 CYLINDER BLOCK GP (contd.)

i01212885



FRONT VIEW

GRAPHIC #1

g00617949

BASIC ENGINE

137-4493 CYLINDER HEAD AS

S/N: 9WR1-473

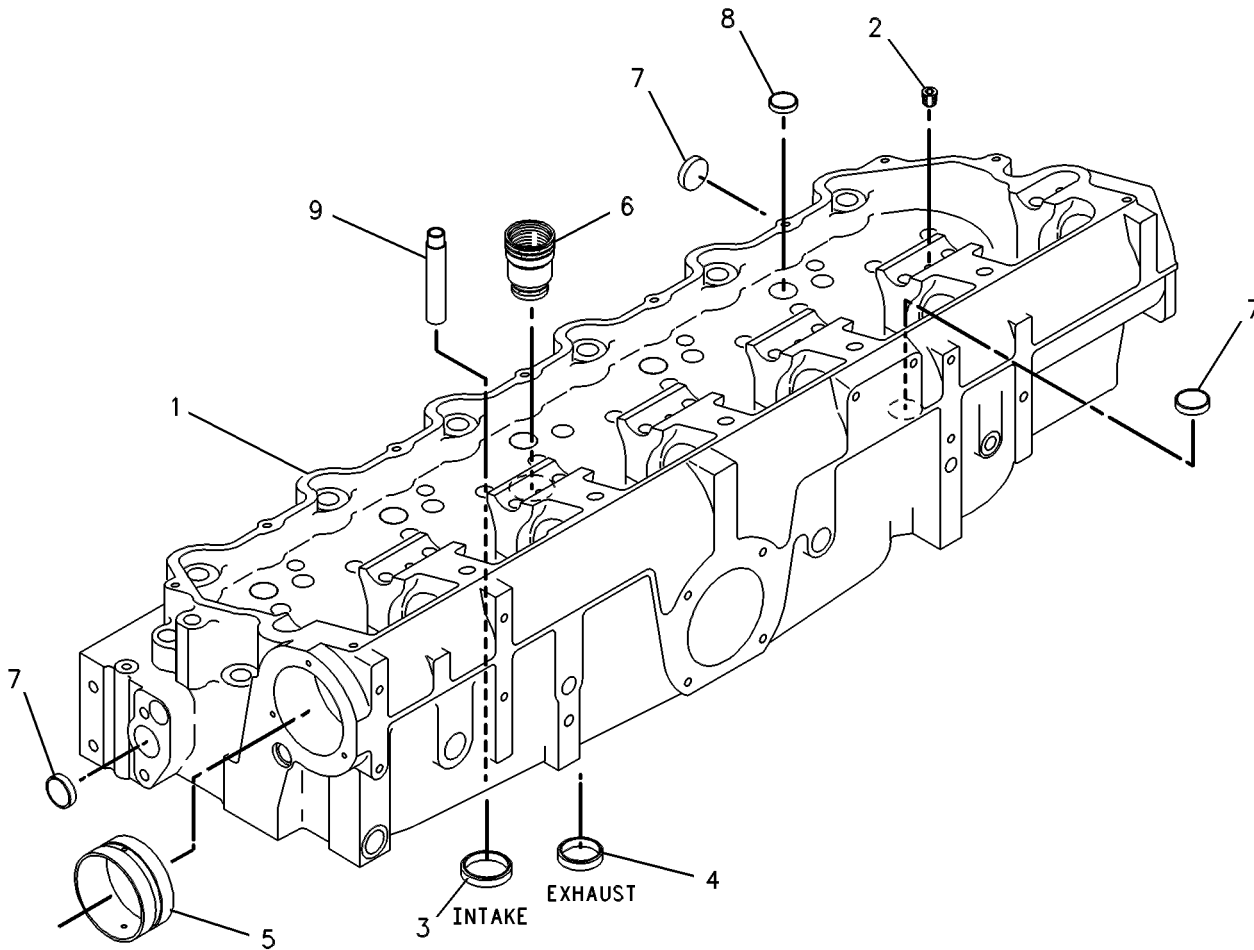
PART OF 141-9240 CYLINDER HEAD GP

SMCS-1100, 1101

i00672424

NOTE	REF NO	GRAPHIC REF	PART NUMBER	QTY	PART NAME						SEE PAGE
					1	2	3	4	5	6 (PRODUCT LEVEL)	
	1	1	4P-1599	1	CYLINDER HEAD						
	2	1	8T-6757	3	PLUG-PIPE (1/8-27 NPTF THD)						
	3	1	108-5912	12	INSERT-VALVE						
	4	1	1W-5283	12	INSERT-VALVE SEAT						
	5	1	4P-5053	7	BEARING-CAMSHAFT						
Y	6	1	115-2324	6	SLEEVE GP- INJECTOR						108
	7	1	3B-0645	19	PLUG-CUP (32.08MM AVG OD)						
	8	1	3B-0623	17	PLUG-CUP (25.73MM AVG OD)						
	9	1	122-7375	24	GUIDE-VALVE						

Y-SEPARATE ILLUSTRATION



GRAPHIC #1

g00271543

BASIC ENGINE

153-4220 CYLINDER HEAD AS

S/N: 9WR474-642

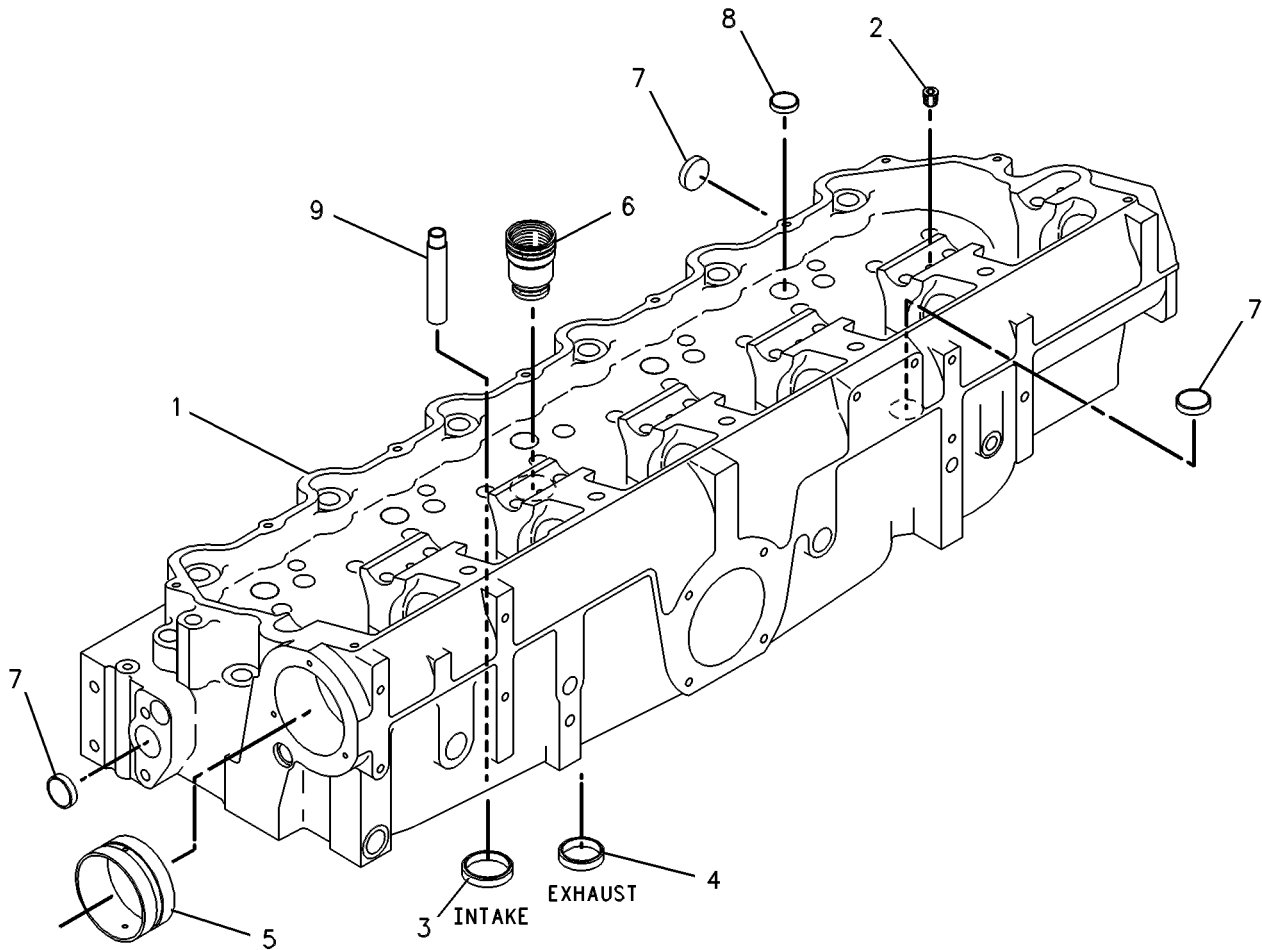
PART OF 153-4219 CYLINDER HEAD GP

SMCS-1100, 1101

i00943443

NOTE	REF NO	GRAPHIC REF	PART NUMBER	QTY	PART NAME						SEE PAGE
					1	2	3	4	5	6 (PRODUCT LEVEL)	
	1	1	142-7340	1	CYLINDER HEAD						
	2	1	8T-6757	3	PLUG-PIPE (1/8-27 NPTF THD)						
	3	1	152-8379	12	INSERT-VALVE SEAT						
	4	1	152-7582	12	INSERT-VALVE						
	5	1	4P-5053	7	BEARING-CAMSHAFT						
Y	6	1	115-2324	6	SLEEVE GP- INJECTOR						108
	7	1	3B-0645	19	PLUG-CUP (32.08MM AVG OD)						
	8	1	3B-0623	17	PLUG-CUP (25.73MM AVG OD)						
	9	1	122-7375	24	GUIDE-VALVE						

Y-SEPARATE ILLUSTRATION



GRAPHIC #1

g00271543

BASIC ENGINE

161-6193 CYLINDER HEAD AS

S/N: 9WR643-1521

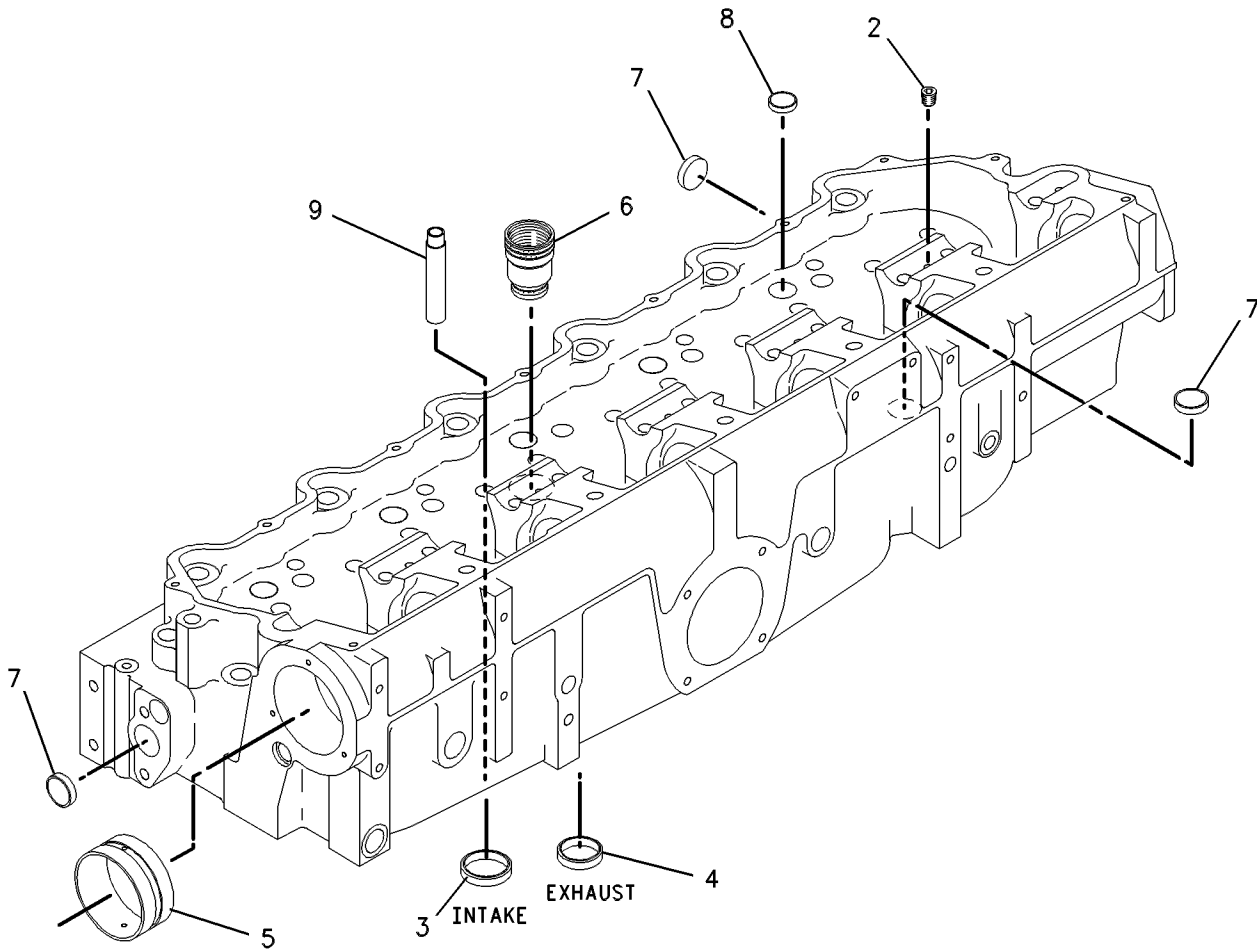
PART OF 161-6194 CYLINDER HEAD GP

SMCS-1100, 1101

i01338345

NOTE	REF NO	GRAPHIC REF	PART NUMBER	QTY	PART NAME						SEE PAGE
					1	2	3	4	5	6 (PRODUCT LEVEL)	
	2	1	8T-6757	3	PLUG-PIPE (1/8-27 NPTF)						
	3	1	156-4168	12	SEAT-VALVE (INLET)						
	4	1	152-7582	12	SEAT-VALVE (EXHAUST)						
	5	1	134-5251	7	BEARING-CAMSHAFT						
A		1	150-4793	1	BEARING-CAMSHAFT (0.254MM O.S.)						
Y	6	1	115-2324	6	SLEEVE GP- INJECTOR						108
	7	1	3B-0645	19	PLUG-CUP (32.08MM AVG OD)						
	8	1	3B-0623	17	PLUG-CUP (25.73MM OD)						
	9	1	122-7375	24	GUIDE-VALVE						
A		1	122-0447	1	GUIDE-VALVE (.51MM O.S.)						
A		1	122-8612	1	GUIDE-VALVE (.13MM O.S.)						

A - NOT PART OF THIS GROUP
Y - SEPARATE ILLUSTRATION



GRAPHIC #1

g00447834

BASIC ENGINE

185-2246 CYLINDER HEAD AS

S/N: 9WR1522-UP

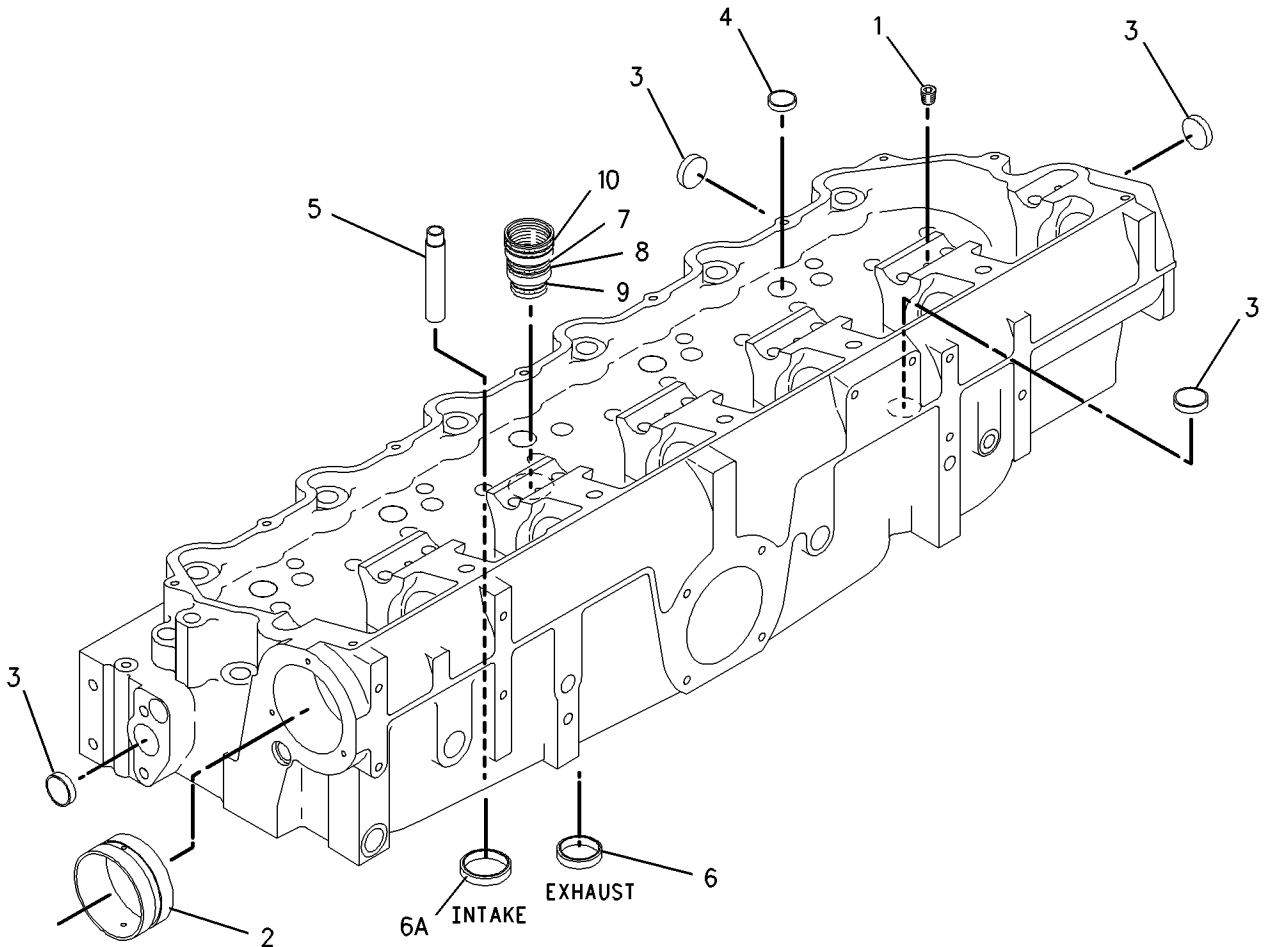
PART OF 187-2112 CYLINDER HEAD GP

SMCS-1100, 1101

i01356668

NOTE	REF NO	GRAPHIC REF	PART NUMBER	QTY	PART NAME						SEE PAGE
					1	2	3	4	5	6 (PRODUCT LEVEL)	
	1	1	8T-6757	3	PLUG-PIPE (1/8-27 NPTF)						
	2	1	134-5251	7	BEARING-CAMSHAFT						
AB		1	150-4793	1	BEARING-CAMSHAFT (0.254MM O.S.)						
AB		1	160-8151	1	BEARING-CAMSHAFT (0.762MM O.S.)						
	3	1	3B-0645	19	PLUG-CUP (32.08MM AVG OD)						
	4	1	3B-0623	17	PLUG-CUP (25.73MM OD)						
	5	1	122-7375	24	GUIDE-VALVE						
AB		1	122-0447	1	GUIDE-VALVE (0.51 MM O.S.)						
AB		1	122-8612	1	GUIDE-VALVE (0.13 MM O.S.)						
	6	1	152-7582	12	INSERT-VALVE SEAT (EXHAUST)						
	6A	1	175-3617	12	INSERT-VALVE SEAT (INLET)						
	7	1	166-2903	6	SEAL-O-RING (34.59MM ID)						
	8	1	166-2904	6	SEAL-O-RING (34.59MM ID)						
	9	1	9X-7430	6	SEAL-O-RING (25.63MM ID)						
	10	1	166-3739	6	SLEEVE-INJECTOR						

A-NOT PART OF THIS GROUP
B-USE AS REQUIRED



GRAPHIC #1

g00723183

BASIC ENGINE

131-3728 CYLINDER HEAD GP

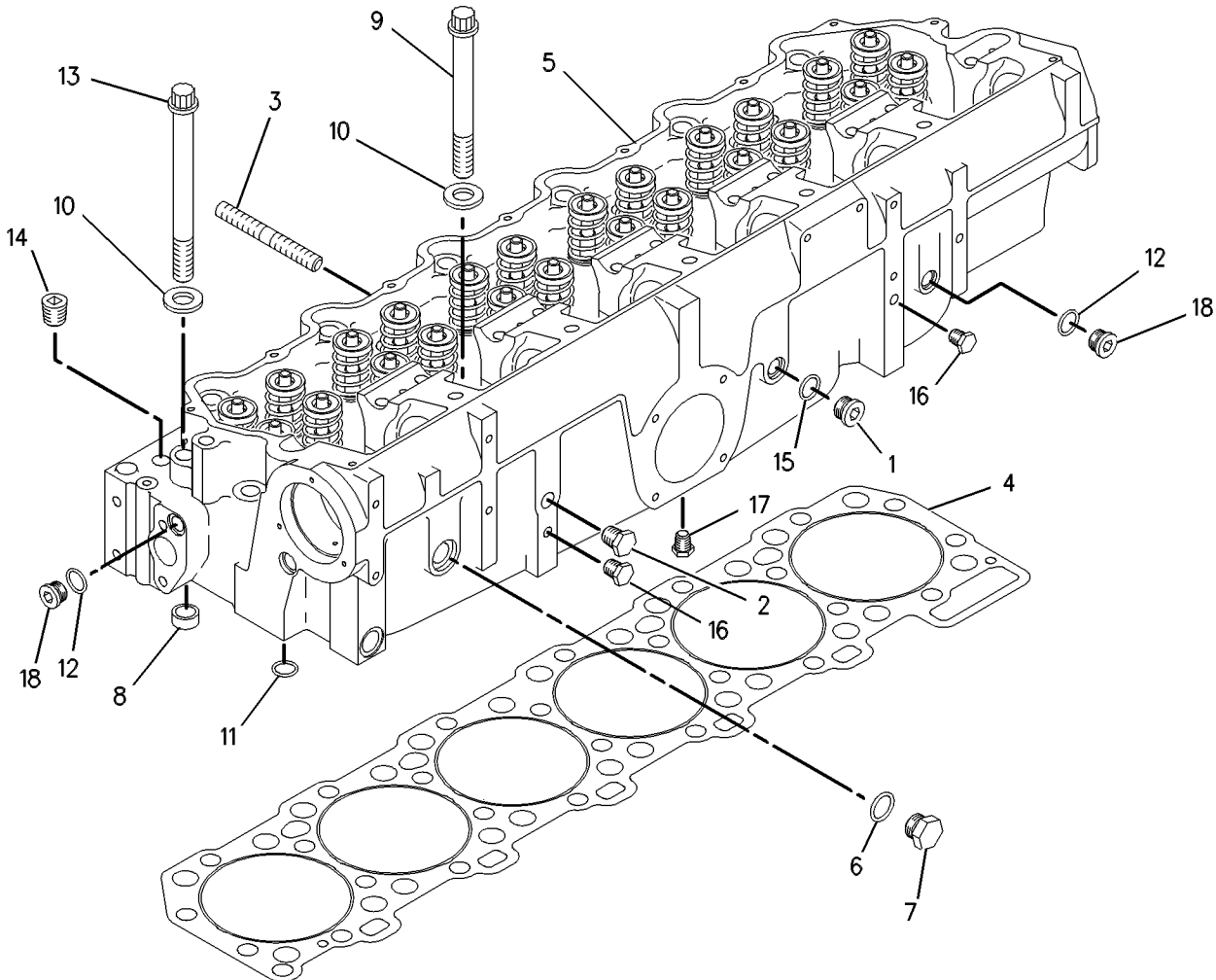
S/N: 9WR1-473

SMCS-1100

i00670700

NOTE	REF NO	GRAPHIC REF	PART NUMBER	QTY	PART NAME						SEE PAGE
					1	2	3	4	5	6 (PRODUCT LEVEL)	
	1	1	9S-8005	1	PLUG-O-RING (3/4-16 THD)						
	2	1	7W-6492	1	PLUG-PIPE (1/2-14 NPTF THD)						
	3	1	106-1792	1	STUD-TAPERLOCK (3/8-16X3.93IN)						
	4	1	6I-4420	1	GASKET-CYLINDER HEAD						
Y	5	1	141-9240	1	CYLINDER HEAD GP						55
	6	1	3D-2824	1	SEAL-O-RING (23.47MM ID)						
	7	1	9S-4183	1	PLUG (1 1/16-12 THD)						
	8	1	3E-6772	24	SEAL-WATER						
	9	1	124-1855	16	BOLT-12 POINT HEAD (3/4-16 X194MM)						
	10	1	5H-1504	26	WASHER-HARD (5MM THK)						
	11	1	5P-0840	1	SEAL-O-RING (12.29MM ID)						
	12	1	6V-5049	4	SEAL-O-RING (11.89MM ID)						
	13	1	124-1854	10	BOLT-12 POINT HEAD (3/4-16X215.9MM)						
	14	1	2B-0858	1	PLUG-PIPE (1/2-14 NPTF)						
	15	1	8L-2786	1	SEAL-O-RING (16.36MM ID)						
	16	1	8T-6763	2	PLUG						
	17	1	8T-6765	1	PLUG-PIPE (1/4-18 NPTF THD)						
	18	1	9S-8004	4	PLUG-O-RING (9/16-18 THD)						

Y-SEPARATE ILLUSTRATION



GRAPHIC #1

g00286606

BASIC ENGINE

141-9240 CYLINDER HEAD GP

S/N: 9WR1-473

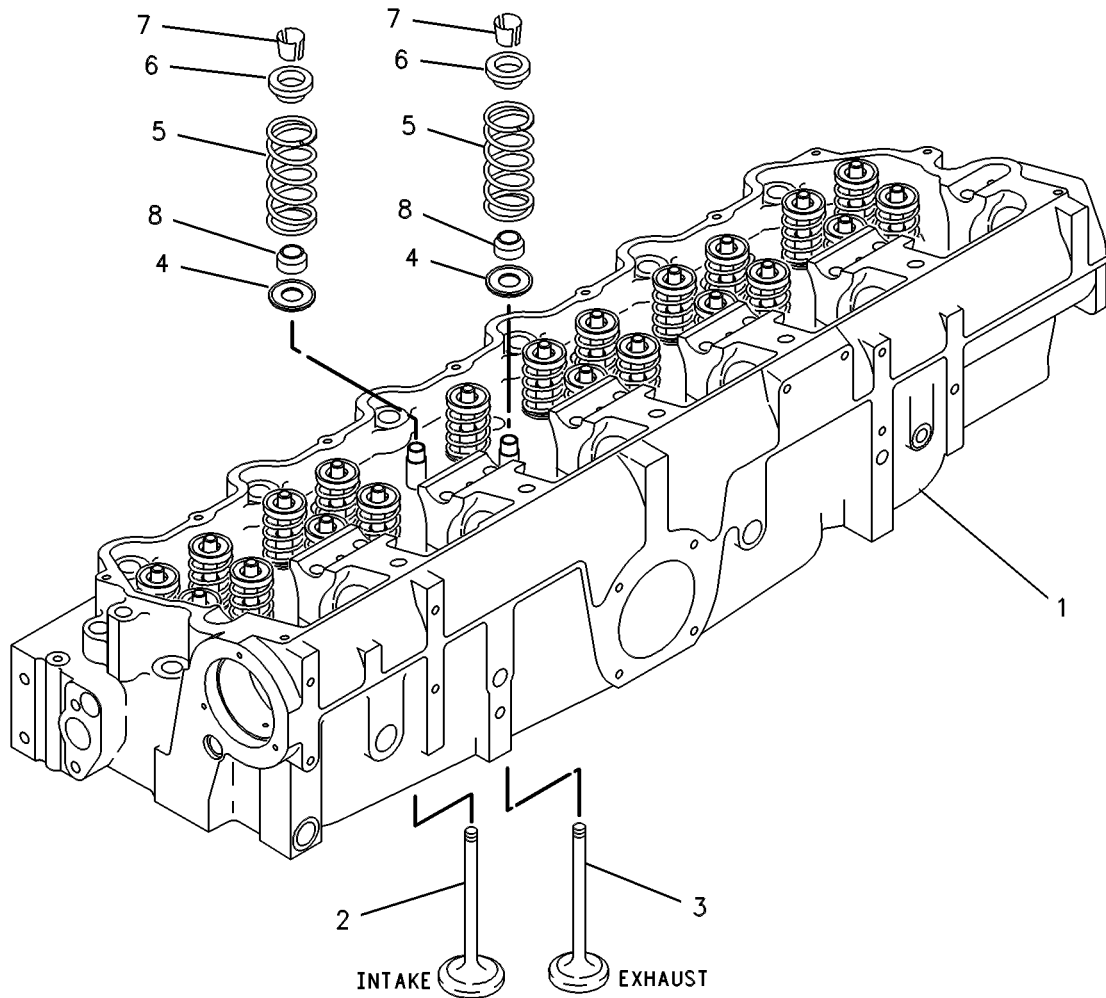
PART OF 131-3728 CYLINDER HEAD GP

SMCS-1100

i00670501

NOTE	REF NO	GRAPHIC REF	PART NUMBER	QTY	PART NAME						SEE PAGE
					1	2	3	4	5	6 (PRODUCT LEVEL)	
Y	1	1	137-4493	1	CYLINDER HEAD AS						50
	2	1	108-5910	12	VALVE - INLET						
	3	1	108-5911	12	VALVE - EXHAUST						
	4	1	6I-0928	24	WASHER						
	5	1	102-7665	24	SPRING - VALVE						
	6	1	4P-4962	24	ROTOCOIL AS						
	7	1	4P-4661	48	LOCK - VALVE						
	8	1	102-6229	24	SEAL - VALVE STEM						

Y - SEPARATE ILLUSTRATION



GRAPHIC #1

g00252101

BASIC ENGINE

153-4219 CYLINDER HEAD GP

S/N: 9WR474-642

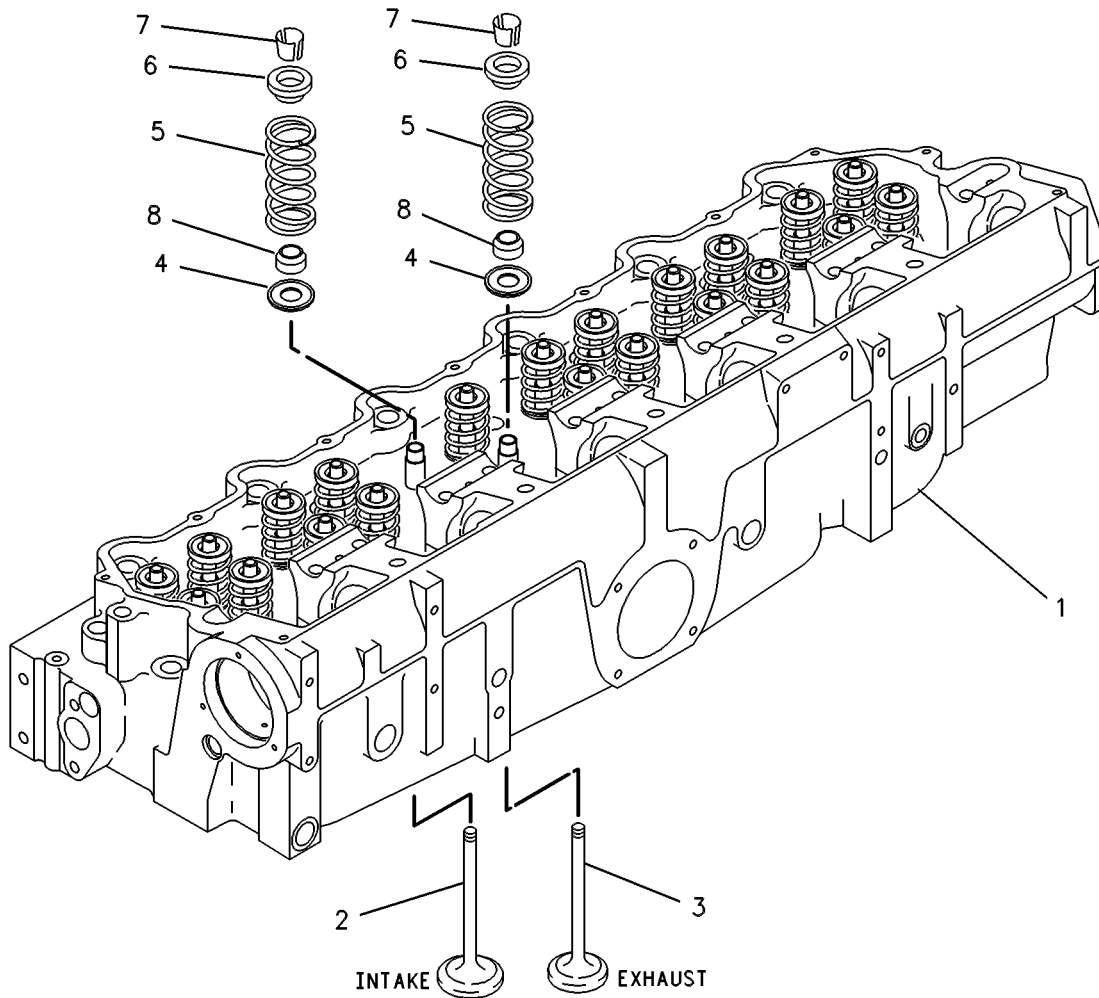
PART OF 153-5498 CYLINDER HEAD GP

SMCS-1100

i00943442

NOTE	REF NO	GRAPHIC REF	PART NUMBER	QTY	PART NAME						SEE PAGE
					1	2	3	4	5	6 (PRODUCT LEVEL)	
Y	1	1	153-4220	1	CYLINDER HEAD AS						51
	2	1	152-8380	12	VALVE - INLET						
	3	1	152-7585	12	VALVE - EXHAUST						
	4	1	6I-0928	24	WASHER						
	5	1	102-7665	24	SPRING - VALVE						
	6	1	4P-4962	24	ROTOCOIL AS						
	7	1	4P-4661	48	LOCK - VALVE						
	8	1	102-6229	24	SEAL - VALVE STEM						

Y - SEPARATE ILLUSTRATION



GRAPHIC #1

g00252101

BASIC ENGINE

153-5498 CYLINDER HEAD GP

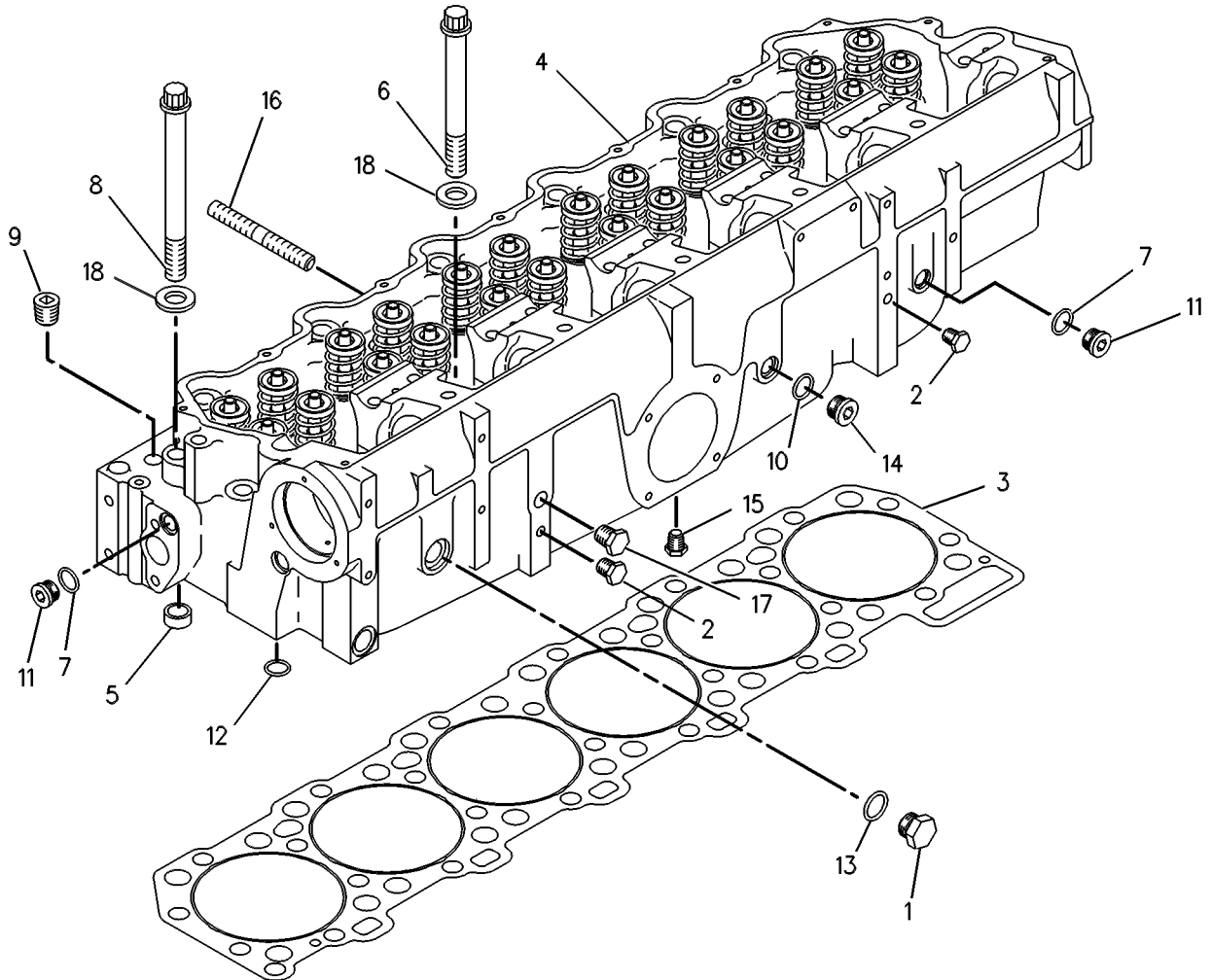
S/N: 9WR474-642

SMCS-1100

i00943444

NOTE	REF NO	GRAPHIC REF	PART NUMBER	QTY	PART NAME						SEE PAGE
					1	2	3	4	5	6 (PRODUCT LEVEL)	
	1	1	9S-4183	1	PLUG (1 1/16-12 THD)						
	2	1	8T-6763	2	PLUG						
	3	1	153-9653	1	GASKET-CYLINDER HEAD						
Y	4	1	153-4219	1	CYLINDER HEAD GP						56
	5	1	3E-6772	24	SEAL-WATER						
	6	1	124-1855	1	BOLT-12 POINT HEAD						
	7	1	6V-5049	4	SEAL-O-RING (11.89MM ID)						
	8	1	124-1854	10	BOLT-12 POINT HEAD						
	9	1	8T-6762	1	PLUG-PIPE						
	10	1	8L-2786	1	SEAL-O-RING (16.36MM ID)						
	11	1	9S-8004	4	PLUG-O-RING (9/16-18 THD)						
	12	1	5P-0840	1	SEAL-O-RING (12.29MM ID)						
	13	1	3D-2824	1	SEAL-O-RING (23.47MM ID)						
	14	1	9S-8005	1	PLUG-O-RING (3/4-16 THD)						
	15	1	8T-6765	1	PLUG-PIPE (1/4-18 NPTF THD)						
	16	1	106-1792	12	STUD-TAPERLOCK (3/8-16X3.93IN)						
	17	1	7W-6492	1	PLUG-PIPE (1/2-14 NPTF THD)						
	18	1	5H-1504	26	WASHER-HARD (5MM THK)						

Y-SEPARATE ILLUSTRATION



GRAPHIC #1

g00340437

BUY NOW

**Then Instant Download
the Complete Manual
Thank you very much!**