

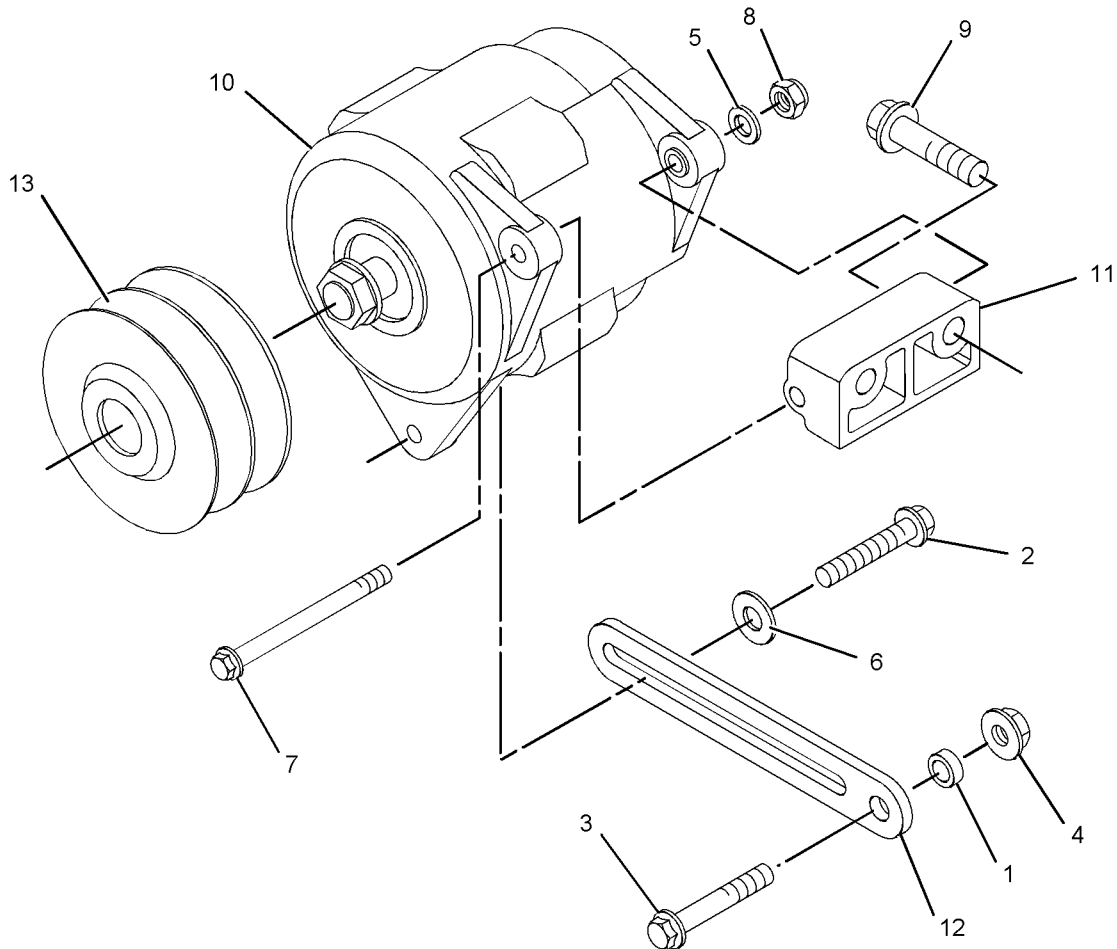
ELECTRICAL AND STARTING SYSTEM

252-6256 ALTERNATOR GP-CHARGING- 120-AMPERE, WITH MOUNTING (CHG -00, -01, 225-3145-00) S/N: CRS1-UP PART OF 273-3610 ENGINE AR

SMCS-1405

i02212711

NOTE	REF NO	GRAPHIC REF	PART NUMBER	QTY	PART NAME						SEE PAGE
					1	2	3	4	5	6 (PRODUCT LEVEL)	
	1	1	6B-0933	1	SPACER (10.31X19.05X6.35-MM THK)						
	2	1	6I-0260	1	BOLT (M8X1.25X25-MM)						
	3	1	6I-0454	1	BOLT (M10X1.5X70-MM)						
	4	1	6I-0594	1	NUT (M10X1.15-THD)						
	5	1	7W-2632	1	WASHER (8.5X16.8X1.6-MM THK)						
	6	1	067-6366	1	WASHER (M8)						
	7	1	100-8451	1	BOLT						
	8	1	113-6349	1	NUT (M12-1.75X93-MM-THD)						
	9	1	140-8783	2	BOLT (M10X45-MM)						
	10	1	225-3145	1	ALTERNATOR GP-CHARGING (120-AMPERE)						
	11	1	233-9530	1	BRACKET						
	12	1	233-9531	1	LEVER-ADJUSTING						
	13	1	233-9532	1	PULLEY-ALTERNATOR						



GRAPHIC #1

<END>

g01039667

ELECTRICAL AND STARTING SYSTEM

211-4285 BATTERY & WIRING GP-STANDARD (CHG -02 THRU -04)

S/N: HLS1-UP

PART OF 213-9287 CHASSIS AR

SMCS-1401, 1402, 1408

i02430954

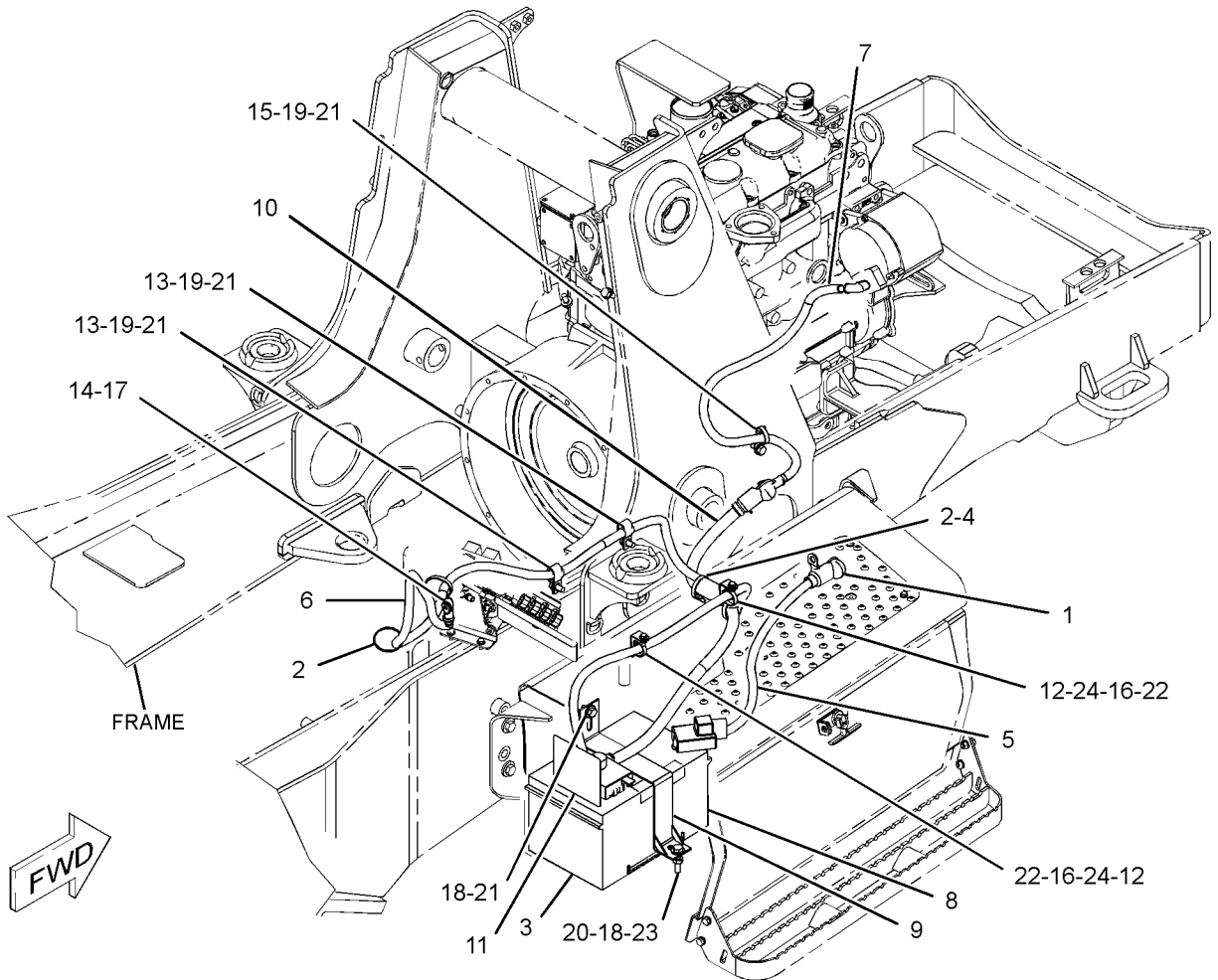
NOTE	REF NO	GRAPHIC REF	PART NUMBER	QTY	PART NAME						SEE PAGE
					1	2	3	4	5	6 (PRODUCT LEVEL)	
	1	1	6T-0465	1	COVER-TERMINAL (BLACK)						
	2	1	7K-1181	7	STRAP-CABLE						
	3	1	038-9317	1	TREAD-NONSKID						
	4	1	178-1781	1	CLIP						
	5	1	213-6088	1	CABLE AS-BATTERY (NEGATIVE)						
		1	1S-7251	1	TERMINAL-RING (FOR 1/2-IN BOLT)						
BE		1	5P-0747		CABLE (00-GA, BLACK)						
		1	229-9855	1	TERMINAL AS-BATTERY (NEGATIVE)						
		1	1M-6119	1	BOLT (5/16-18X1.375-IN)						
		1	1M-6120	2	NUT (5/16-18-THD)						
6	1	1	213-6089	1	CABLE AS-POWER						
7	1	1	213-6094	1	CABLE AS						
8	1	1	230-6368	1	BATTERY (12-VOLT, MAINTENANCE FREE)						
9	1	1	240-4639	1	BRACKET AS						
10	1	1	246-8053	1	CABLE AS-BATTERY (POSITIVE)						
		1	1S-7251	1	TERMINAL-RING (FOR 1/2-IN BOLT)						
BE		1	5P-0761		CABLE (00-GA, RED) (94-CM)						
		1	8L-8413	2	STRAP-CABLE						
		1	8N-0869	1	COVER-TERMINAL (RED)						
BE		1	8Y-8081		TUBE-CONVOLUTED (94-CM)						
11	1	1	275-3917	1	FILM (PROTECTION)						
12	1	1	156-6175	2	CLIP						
13	1	1	4D-6466	2	CLIP						
14	1	1	8T-4224	1	WASHER-HARD (8.8X16X2-MM THK)						
15	1	1	4P-7581	1	CLIP						
M	16	1	5C-2890	2	NUT (M6X1-THD)						
M	17	1	5C-7261	1	NUT (M8X1.25-THD)						
	18	1	7X-7729	2	WASHER (11X25X3-MM THK)						
	19	1	8T-4121	3	WASHER-HARD (11X21X2.5-MM THK)						
M	20	1	8T-4133	1	NUT (M10X1.5-THD)						
M	21	1	8T-4137	4	BOLT (M10X1.5X20-MM)						
M	22	1	8T-4138	2	BOLT (M6X1X20-MM)						
M	23	1	8T-4185	1	BOLT (M10X1.5X50-MM)						
	24	1	8T-4205	2	WASHER-HARD (7.2X14.5X2-MM THK)						

B-USE AS REQUIRED
 E-ORDER BY THE CENTIMETER
 M-METRIC PART

ELECTRICAL AND STARTING SYSTEM

211-4285 BATTERY & WIRING GP (contd.)

i02430954



GRAPHIC #1

<END>

g01233263

ELECTRICAL AND STARTING SYSTEM

211-4286 BATTERY & WIRING GP (CHG -02)

S/N: HLS1-UP
AN ATTACHMENT

SMCS-1401, 1402, 1408

i02484878

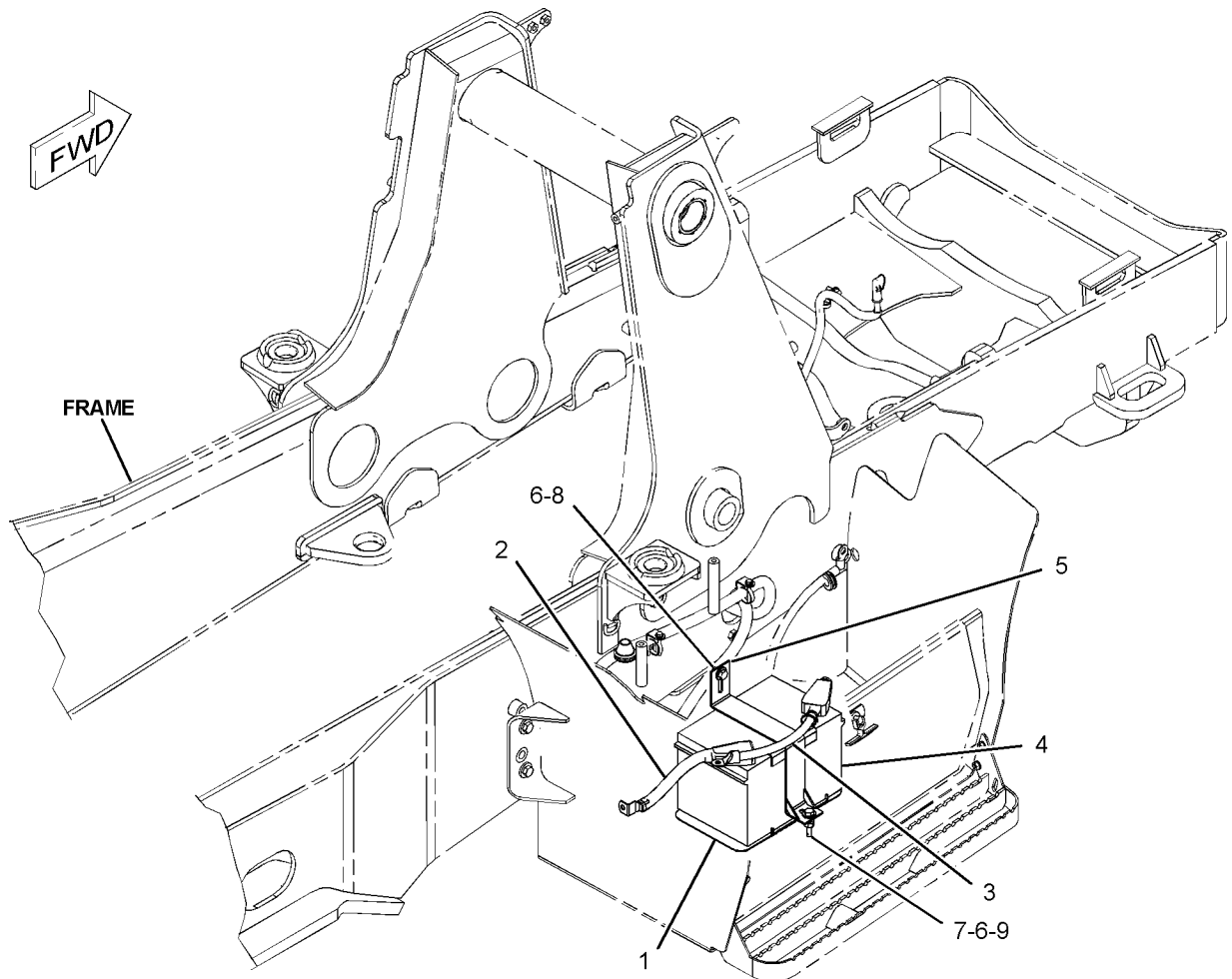
NOTE	REF NO	GRAPHIC REF	PART NUMBER	QTY	PART NAME						SEE PAGE
					1	2	3	4	5	6 (PRODUCT LEVEL)	
	1	1	038-9317	1	TREAD-NONSKID						
	2	1	213-6091	1	CABLE AS-BATTERY (POSITIVE)						
E		1	5P-0761		CABLE (00-GA, RED) (35-CM)						
		1	7T-9987	1	COVER-TERMINAL						
		1	8L-8413	2	STRAP-CABLE						
		1	8N-0869	1	COVER-TERMINAL (RED)						
		1	8S-3020	1	TERMINAL-CABLE						
BE		1	8Y-8081		TUBE-CONVOLUTED						
	3	1	213-6092	1	CABLE AS-BATTERY (NEGATIVE)						
		1	1S-7252	1	TERMINAL-RING (FOR 3/8-IN BOLT)						
E		1	5P-0747		CABLE (00-GA, BLACK) (43-CM)						
		1	7N-5274	1	COVER-TERMINAL (BLACK)						
		1	8L-8413	1	STRAP-CABLE						
	4	1	230-6368	1	BATTERY (12-VOLT, MAINTENANCE FREE)						
	5	1	240-4639	1	BRACKET AS						
	6	1	7X-7729	2	WASHER (11X25X3-MM THK)						
M	7	1	8T-4133	1	NUT (M10X1.5-THD)						
M	8	1	8T-4137	1	BOLT (M10X1.5X20-MM)						
M	9	1	8T-4185	1	BOLT (M10X1.5X50-MM)						

B-USE AS REQUIRED
E-ORDER BY THE CENTIMETER
M-METRIC PART

ELECTRICAL AND STARTING SYSTEM

211-4286 BATTERY & WIRING GP (contd.)

i02484878



GRAPHIC #1

<END>

g01082047

ELECTRICAL AND STARTING SYSTEM

262-1421 CONTROL GP-COMMUNICATION-PRODUCT LINK 300

(CHG -00 THRU -05)

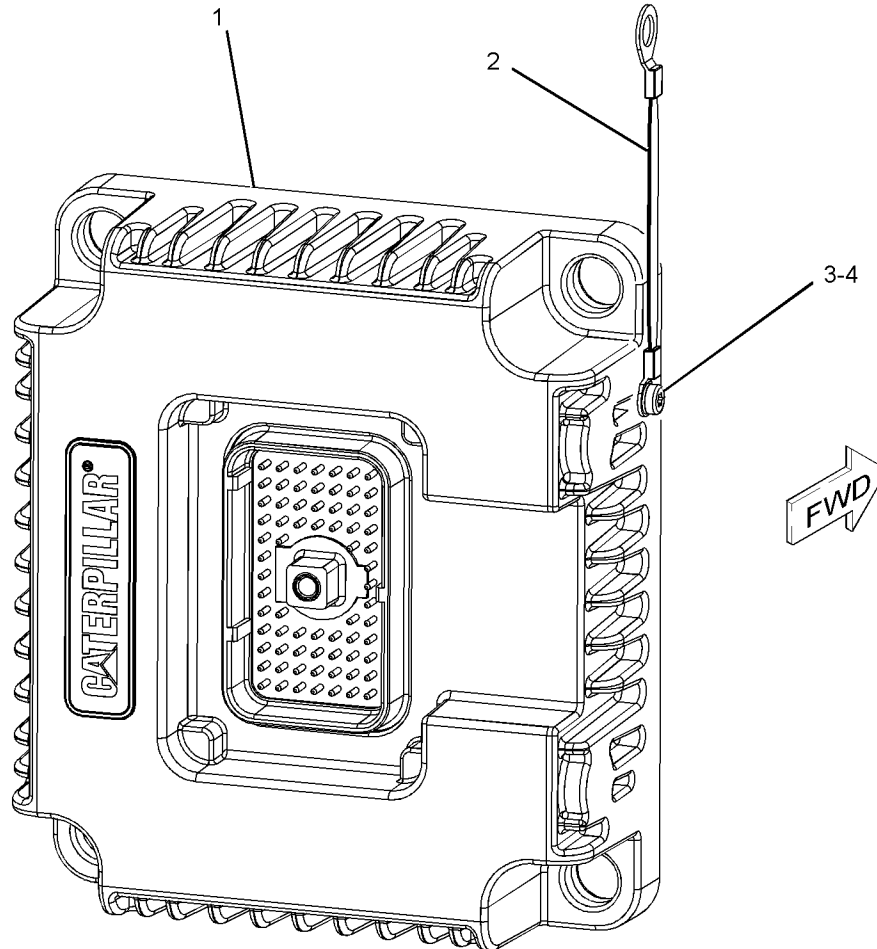
S/N: HLS1-UP

PART OF 225-7995 INSTALLATION GP-COMMUNICATION
AN ATTACHMENT

SMCS-7610, 7620

i02480319

NOTE	REF NO	GRAPHIC REF	PART NUMBER	QTY	PART NAME						SEE PAGE
					1	2	3	4	5	6 (PRODUCT LEVEL)	
	1	1	268-4699	1	CONTROL GP-COMMUNICATION (PRODUCT LINK 300) (INCLUDES CONTROL GP AND SOFTWARE)						
	2	1	7X-6315	1	STRAP AS-GROUND						
	3	1	126-7574	1	SCREW-PAN HEAD (8-32X9.52-MM)						
	4	1	134-4126	1	WASHER (4.52X8.28X0.76-MM THK)						



GRAPHIC #1

<END>

g01161859

ELECTRICAL AND STARTING SYSTEM

225-8017 ELECTRONICS GP-MACHINE (CHG -00, -01)

S/N: HLS1-UP

PART OF 214-2553 BACKHOE AR-EXTENDABLE STICK, 214-2550 BACKHOE AR-STANDARD
STICK

AN ATTACHMENT

SMCS-7610, 7620

i02409044

NOTE	PART NUMBER	QTY	PART NAME 1 2 3 4 5 6 (PRODUCT LEVEL)	SEE PAGE
	252-2422	1	CONTROL GP-UNPROGRAMMED (IMPLEMENT) (INCLUDES SOFTWARE)	
			-OR-	
	273-1819	1	SOFTWARE GP-MACHINE (SOFTWARE ONLY)	
			-OR-	
			(OPTIONAL SERVICE REPLACEMENT)	
	273-1820	1	SERVICE GP-MACHINE (INCLUDES CONTROL GP & SOFTWARE)	
			<END>	

227-7373 ELECTRONICS GP-MACHINE (CHG -00 THRU -03)

S/N: HLS1-UP

PART OF 214-3758 BACKHOE AR-EXTENDABLE STICK, 214-3755 BACKHOE AR-STANDARD
STICK

AN ATTACHMENT

SMCS-7610, 7620

i02441246

NOTE	PART NUMBER	QTY	PART NAME 1 2 3 4 5 6 (PRODUCT LEVEL)	SEE PAGE
	273-1819	1	SOFTWARE GP-MACHINE (SOFTWARE ONLY)	
			-OR-	
	262-1408	1	CONTROL GP-UNPROGRAMMED (INCLUDES SOFTWARE)	
			-OR-	
			(OPTIONAL SERVICE REPLACEMENT)	
	273-1820	1	SERVICE GP-MACHINE (INCLUDES CONTROL GP & SOFTWARE)	
			<END>	

ELECTRICAL AND STARTING SYSTEM

227-7374 ELECTRONICS GP-MONITOR (CHG -00, -01)

S/N: HLS1-UP

PART OF 211-4253 INSTALLATION GP-MONITOR
AN ATTACHMENT

SMCS-7490, 7610, 7620

i02440888

NOTE	PART NUMBER	QTY	PART NAME						SEE PAGE
			1	2	3	4	5	6 (PRODUCT LEVEL)	
	250-3858	1	CONTROL GP-UNPROGRAMMED (MONITOR)						
			-OR-						
	281-9366	1	SOFTWARE GP-MONITOR						
			(SOFTWARE ONLY)						
			-OR-						
			(OPTIONAL SERVICE REPLACEMENT)						
	281-9367	1	SERVICE GP-MONITOR						
			(INCLUDES DISPLAY GP & SOFTWARE)						
			<END>						

ELECTRICAL AND STARTING SYSTEM

232-6661 GLOW PLUG GP (CHG -01, -02)

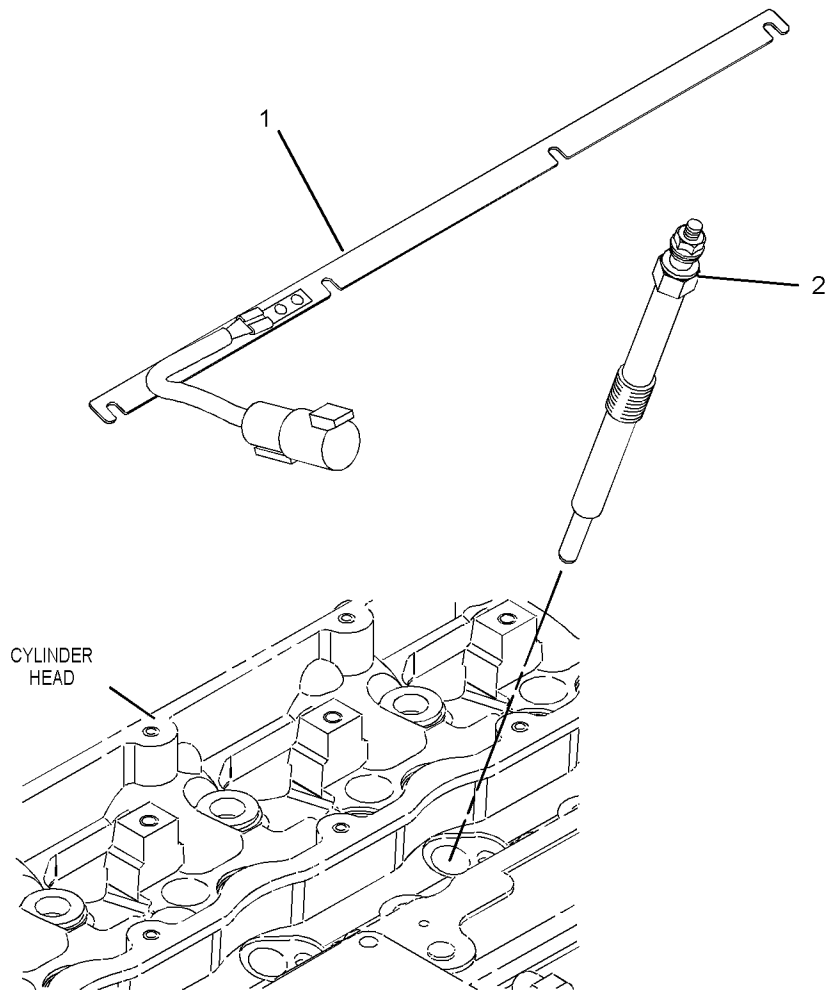
S/N: CRS1-UP

PART OF 273-3610 ENGINE AR

SMCS-1412

i02471840

NOTE	REF NO	GRAPHIC REF	PART NUMBER	QTY	PART NAME						SEE PAGE
					1	2	3	4	5	6 (PRODUCT LEVEL)	
	1	1	286-4880	1	BAR						
	2	1	232-6662	4	GLOW PLUG (12-VOLT)						



GRAPHIC #1

<END>

g01232967

ELECTRICAL AND STARTING SYSTEM

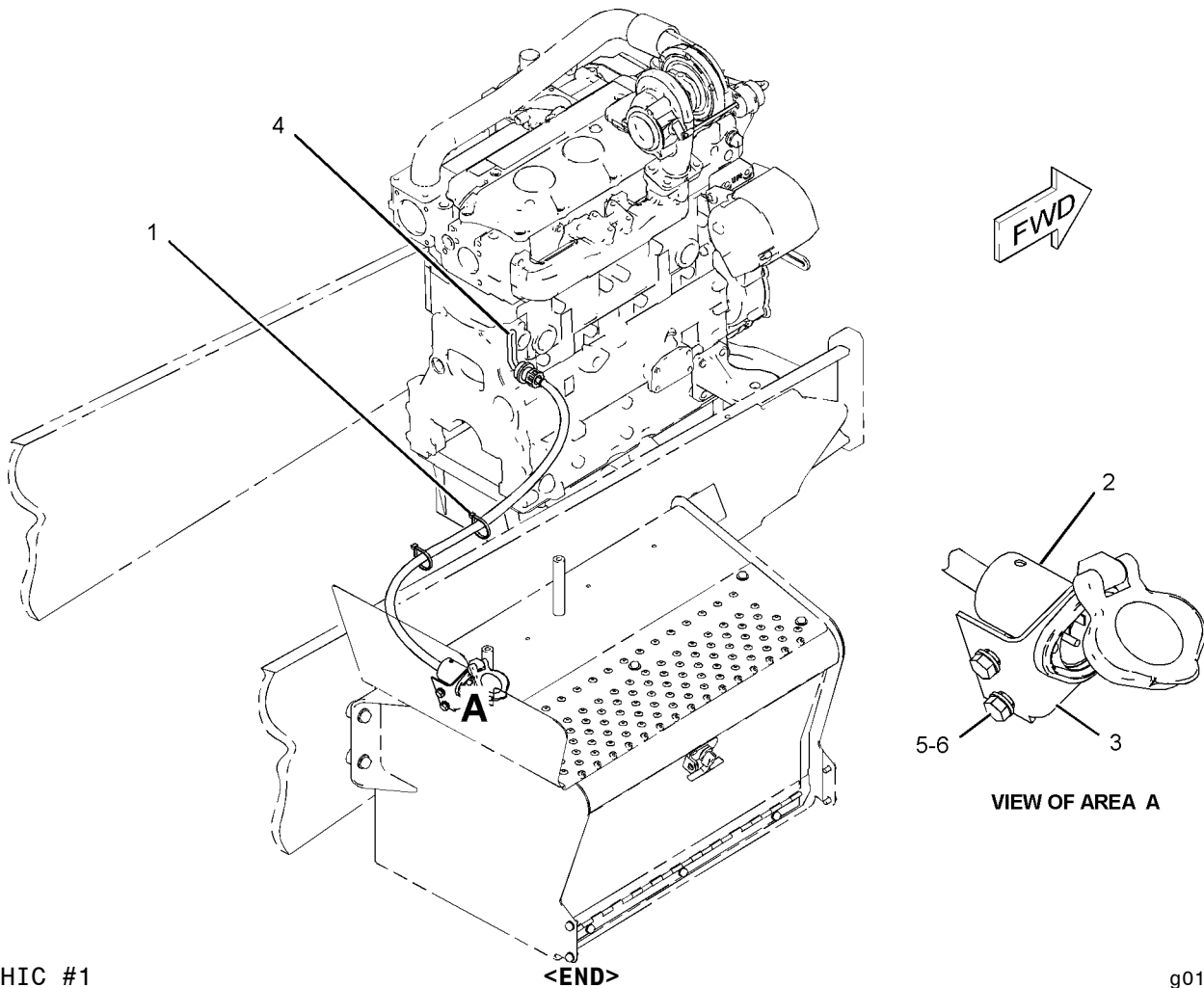
248-2214 HEATER GP-JACKET WATER (CHG -00)

S/N: HLS1-UP
AN ATTACHMENT

SMCS-1383

i02200665

NOTE	REF NO	GRAPHIC REF	PART NUMBER	QTY	PART NAME						SEE PAGE
					1	2	3	4	5	6 (PRODUCT LEVEL)	
	1	1	3S-2093	2	STRAP-CABLE						
	2	1	130-0165	1	RECEPTACLE AS						
		1	1M-1230	2	NUT & LOCK AS (10-32-THD)						
		1	168-4511	2	SCREW-PAN HEAD (10-32X1-IN)						
	3	1	165-8357	1	BRACKET AS						
M		1	8T-3612	2	NUT-WELD (M8X1.25-THD)						
	4	1	231-3054	1	HEATER GP-JACKET WATER						
J		1	219-3273	1	ELEMENT AS-JACKET WATER HEATER (120-VOLT, 1000-WATT)						
		1	133-6517		CAP AS-DUST						
		1	231-3052	1	CORD AS						
M	5	1	8T-4189	2	BOLT (M8X1.25X20-MM)						
	6	1	8T-4224	2	WASHER-HARD (8.8X16X2-MM THK)						
AVAILABLE REPAIR KIT(S):											
J			133-3413	1	KIT-SEAL						
(INCLUDES SEAL, SPACER & RINGS)											
J-KIT MARKED J AVAILABLE FOR PART MARKED J M-METRIC PART											



GRAPHIC #1

<END>

g01083542

ELECTRICAL AND STARTING SYSTEM

225-7994 INSTALLATION GP-COMMUNICATION

(CHG -00 THRU -02)

S/N: HLS1-UP

PART OF 225-7995 INSTALLATION GP-COMMUNICATION

AN ATTACHMENT

SMCS-7606

i02482360

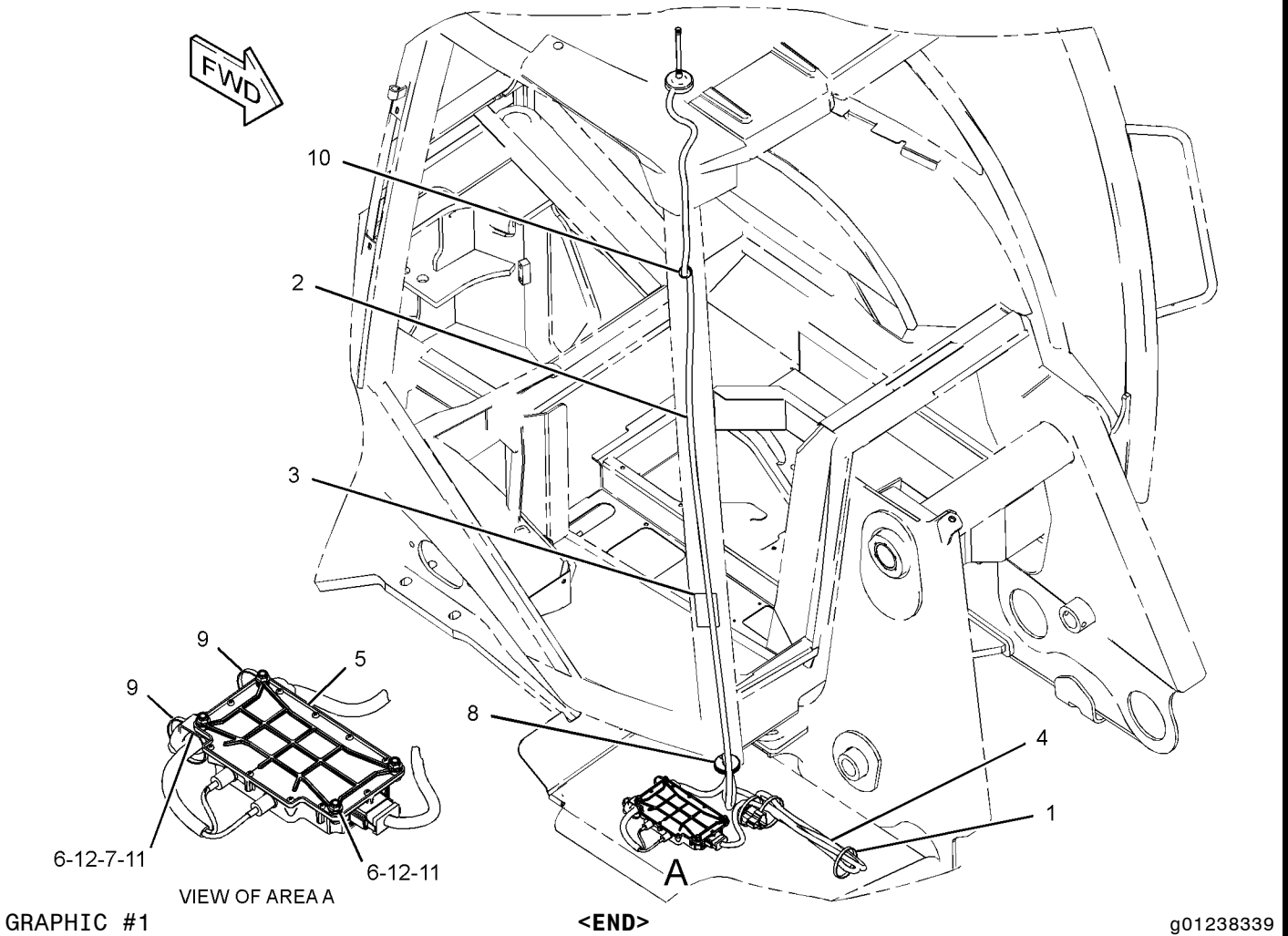
NOTE	REF NO	GRAPHIC REF	PART NUMBER	QTY	PART NAME						SEE PAGE
					1	2	3	4	5	6 (PRODUCT LEVEL)	
	1	1	7K-1181	3	STRAP-CABLE						
	2	1	263-7802	1	ANTENNA AS (MAGNETIC MOUNT, PRODUCT LINK)						
	3	1	260-7652	1	FILM-WARNING (PRODUCT LINK 300, ANSI)						
	4	1	256-6803	1	HARNESS AS-RADIO (PRODUCT LINK)						
		1	102-8801	1	KIT-RECEPTACLE (12-PIN)						
		1	102-8802	1	KIT-RECEPTACLE (2-PIN)						
					(EACH RECEPTACLE KIT INCLUDES RECEPTACLE AS & WEDGE)						
		1	155-2255	1	KIT-CONNECTING PLUG (12-PIN)						
		1	155-2270	1	KIT-CONNECTING PLUG (2-PIN)						
					(EACH PLUG KIT INCLUDES PLUG AS, WEDGE & INTERFACE SEAL)						
	5	1	263-9088	1	RADIO GP-COMMUNICATION (PRODUCT LINK 121SR)						
M	6	1	129-3178	4	LOCKNUT (M6X1-THD)						
	7	1	156-6175	1	CLIP						
	8	1	170-9360	1	GROMMET						
	9	1	3S-2093	2	STRAP-CABLE						
	10	1	6P-6591	1	GROMMET						
M	11	1	8T-4138	4	BOLT (M6X1X20-MM)						
	12	1	8T-4205	7	WASHER-HARD (7.2X14.5X2-MM THK)						

M-METRIC PART

ELECTRICAL AND STARTING SYSTEM

225-7994 INSTALLATION GP-COMMUNICATION (contd.)

i02482360



ELECTRICAL AND STARTING SYSTEM

225-7995 INSTALLATION GP-COMMUNICATION

(CHG -00 THRU -02)

S/N: HLS1-UP

AN ATTACHMENT

SMCS-7606

i02445759

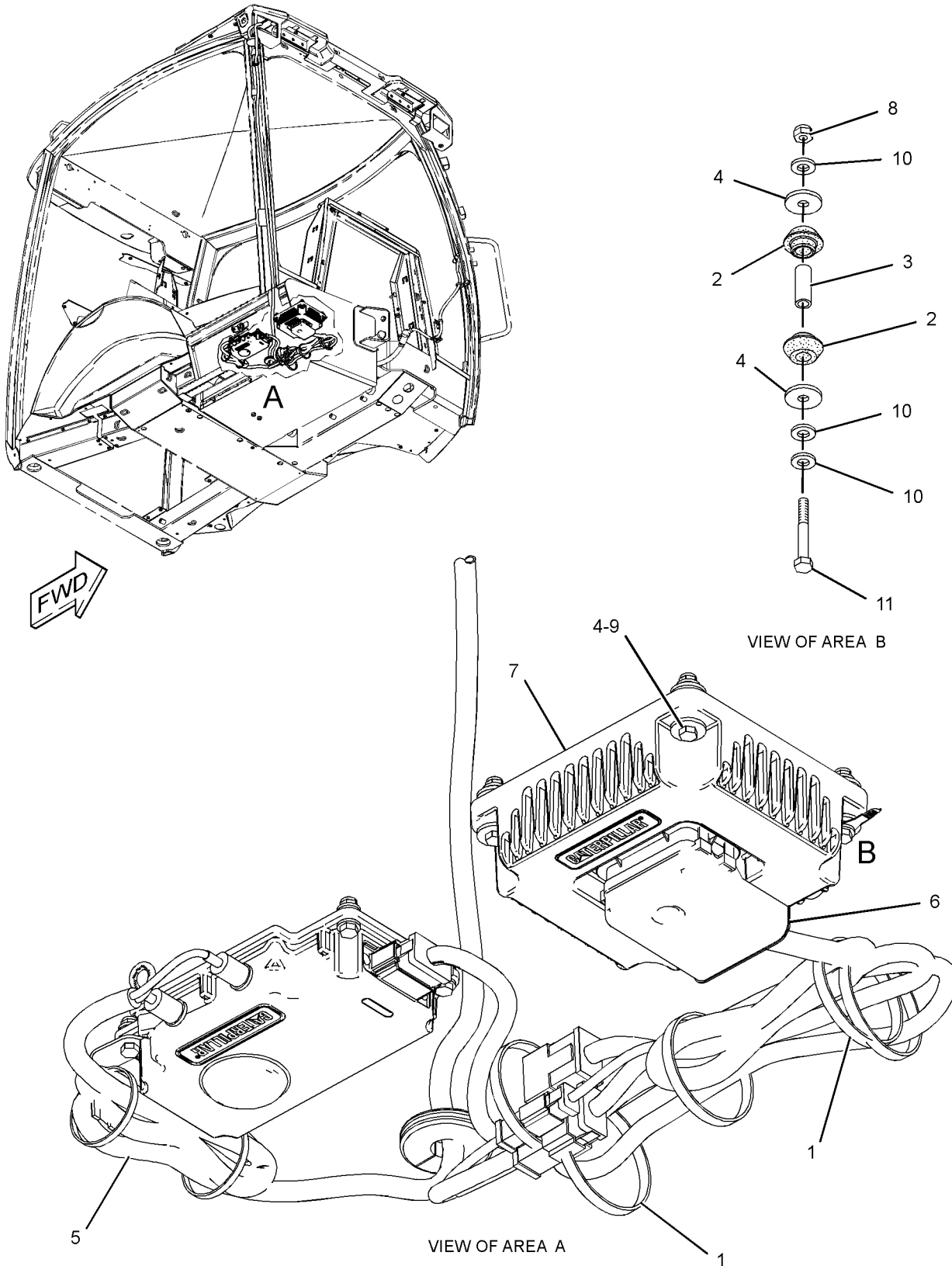
NOTE	REF NO	GRAPHIC REF	PART NUMBER	QTY	PART NAME						SEE PAGE
					1	2	3	4	5	6 (PRODUCT LEVEL)	
	1	1	7K-1181	2	STRAP-CABLE						
	2	1	8C-5607	8	MOUNT-ISOLATION						
	3	1	8C-5608	4	SPACER (6.5X9.5X25.4-MM THK)						
	4	1	9X-6165	8	WASHER (6.5X22X2.5-MM THK)						
Y	5	1	225-7994	1	INSTALLATION GP-COMMUNICATION (PRODUCT LINK 121SR)						83
	6	1	256-6804	1	HARNESS AS-CONTROL (PRODUCT LINK)						
		1	102-8801	1	KIT-RECEPTACLE (12-PIN)						
					(INCLUDES RECEPTACLE AS & WEDGE)						
		1	155-2255	2	KIT-CONNECTING PLUG (12-PIN)						
		1	155-2270	1	KIT-CONNECTING PLUG (2-PIN)						
					(EACH PLUG KIT INCLUDES PLUG AS & WEDGE)						
		1	9X-6772	2	STRAP-CABLE						
E		1	125-7874		TUBE-HEAT SHRINK (5.72-MM DIA) (20-CM)						
		1	126-1774	1	COVER						
		1	160-7690	1	PLUG AS-CONNECTOR (70-PIN)						
Y	7	1	262-1421	1	CONTROL GP-COMMUNICATION (PRODUCT LINK 300)						78
M	8	1	129-3178	4	LOCKNUT (M6X1-THD)						
M	9	1	8C-8451	3	BOLT (M6X1X40-MM)						
	10	1	8T-4205	6	WASHER-HARD (7.2X14.5X2-MM THK)						
M	11	1	9X-2480	1	BOLT (M6X1X45-MM)						

E-ORDER BY THE CENTIMETER
M-METRIC PART
Y-SEPARATE ILLUSTRATION

ELECTRICAL AND STARTING SYSTEM

225-7995 INSTALLATION GP-COMMUNICATION (contd.)

i02445759



GRAPHIC #1

<END>

g01233282

ELECTRICAL AND STARTING SYSTEM

246-8042 INSTALLATION GP-GRADE CONTROL

(CHG -00 THRU -03)

S/N: HLS1-UP

PART OF 214-3758 BACKHOE AR-EXTENDABLE STICK, 214-3755 BACKHOE AR-STANDARD
STICK

AN ATTACHMENT

SMCS-7220

i02441639

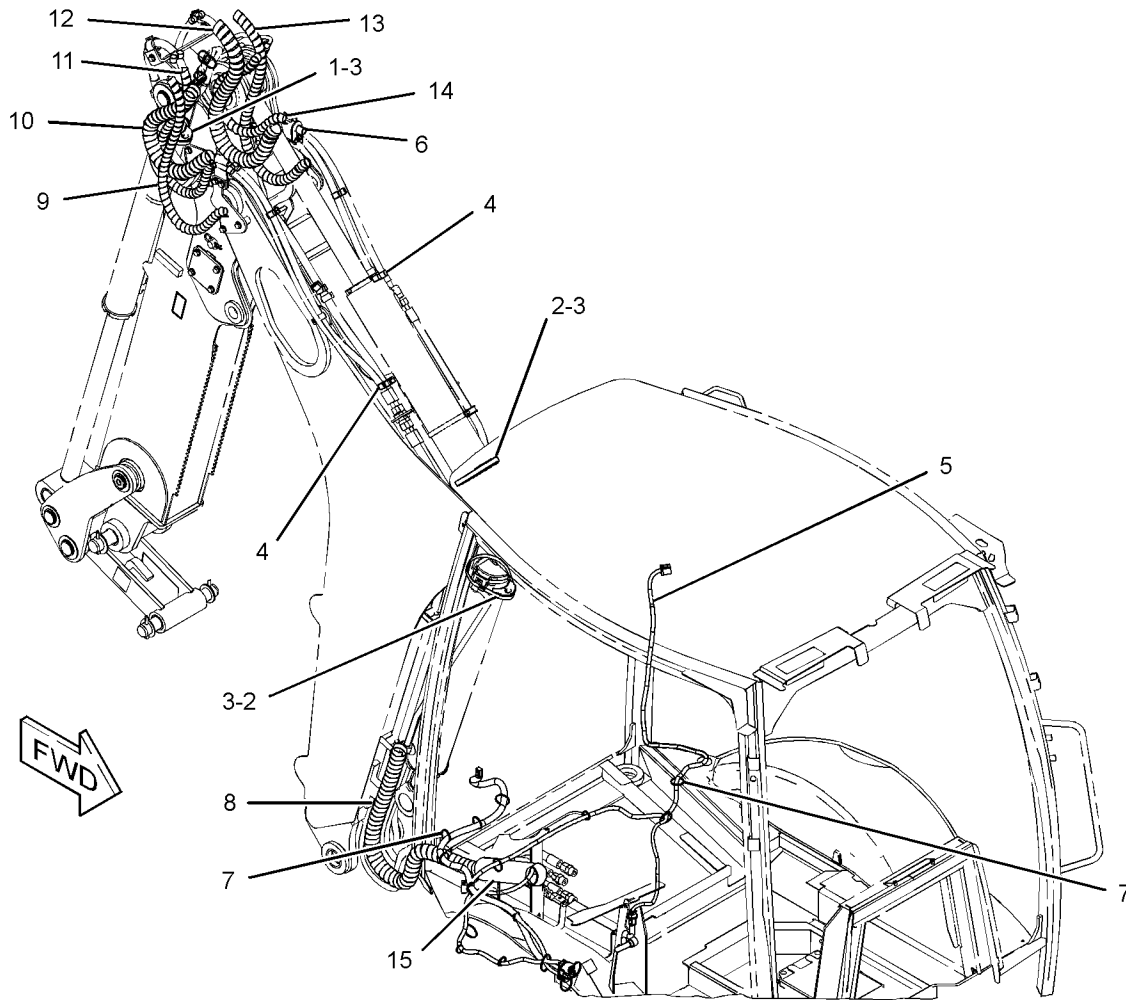
NOTE	REF NO	GRAPHIC REF	PART NUMBER	QTY	PART NAME						SEE PAGE
					1	2	3	4	5	6 (PRODUCT LEVEL)	
	1	1	5P-0599	1	CLAMP-BAND						
	2	1	5P-3860	2	CLAMP-HOSE						
	3	1	9R-2053	3	BLOCK						
	4	1	177-2215	10	STRAP-DUAL CLAMP						
	5	1	268-7761	1	HARNESS AS-PLATFORM (SENSOR)						
E		1	125-7874		TUBE-HEAT SHRINK (5.72-MM DIA) (35-CM)						
		1	102-8806	1	KIT-RECEPTACLE (8-PIN)						
		1	102-8801	1	KIT-RECEPTACLE (12-PIN)						
					(EACH RECEPTACLE KIT INCLUDES RECEPTACLE AS & WEDGE)						
		1	155-2255	1	KIT-CONNECTING PLUG (12-PIN)						
		1	155-2265	1	KIT-CONNECTING PLUG (8-PIN)						
		1	155-2271	2	KIT-CONNECTING PLUG (4-PIN)						
		1	155-2274	1	KIT-CONNECTING PLUG (6-PIN)						
					(EACH PLUG KIT INCLUDES PLUG AS, WEDGE & INTERFACE SEAL)						
	6	1	1S-6420	1	CLIP						
	7	1	3S-2093	26	STRAP-CABLE						
E	8	1	7I-1024		GUARD (27-CM)						
E	9	1	7I-1024		GUARD (15-CM)						
E	10	1	7I-1024		GUARD (11-CM)						
E	11	1	7I-1024		GUARD (12-CM)						
E	12	1	7I-1024		GUARD (17-CM)						
E	13	1	7I-1024		GUARD (15-CM)						
E	14	1	7I-1024		GUARD (7-CM)						
E	15	1	160-2250		SLEEVE-ABRASION (50-CM)						

E-ORDER BY THE CENTIMETER

ELECTRICAL AND STARTING SYSTEM

246-8042 INSTALLATION GP-GRADE CONTROL (contd.)

i02441639



GRAPHIC #1

<END>

g01233126

ELECTRICAL AND STARTING SYSTEM

246-8045 INSTALLATION GP-GRADE CONTROL- ACCUGRADE, MAST (CHG -00, -01) S/N: HLS1-UP AN ATTACHMENT

SMCS-7220

i02445997

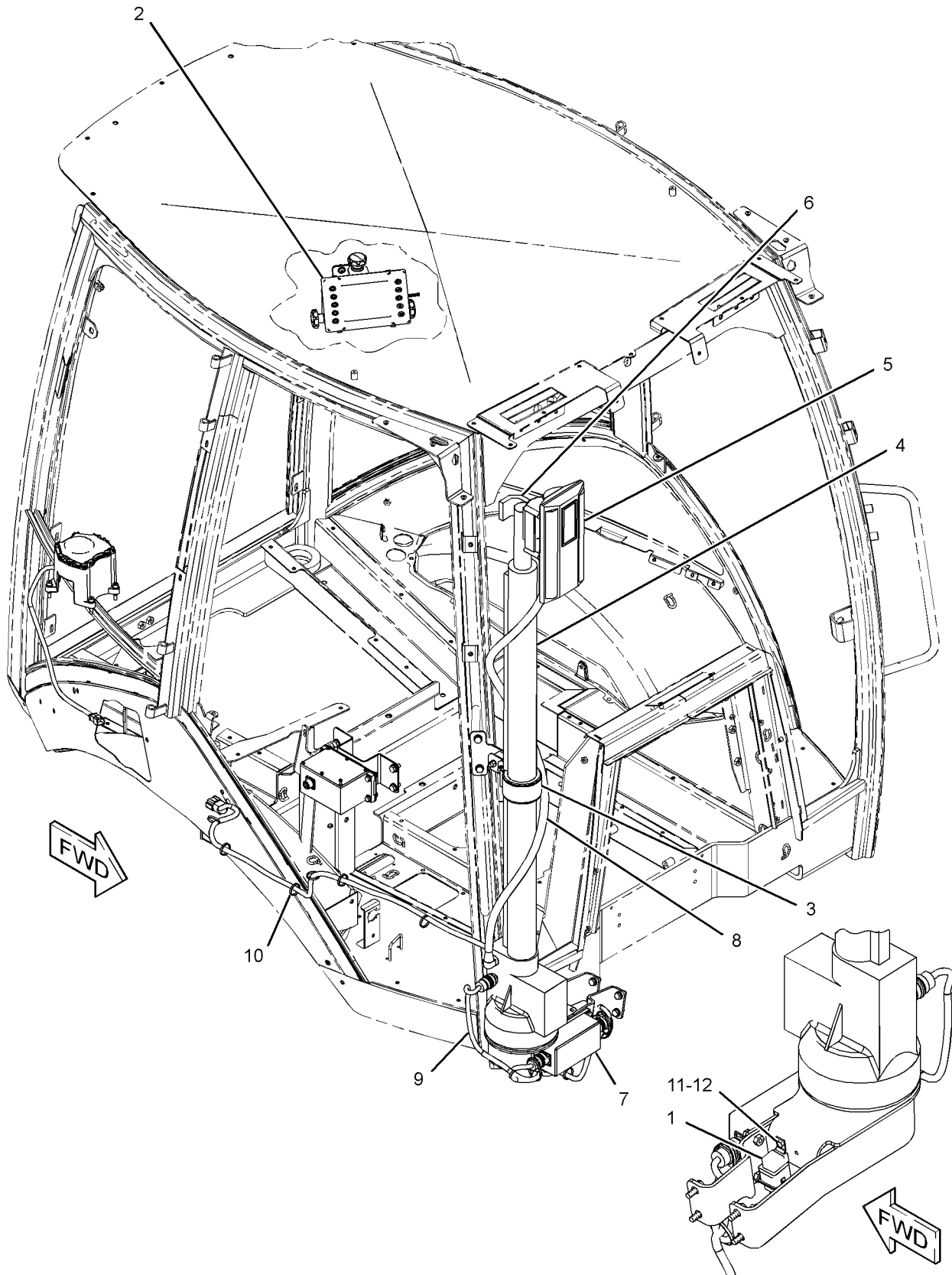
NOTE	REF NO	GRAPHIC REF	PART NUMBER	QTY	PART NAME						SEE PAGE
					1	2	3	4	5	6 (PRODUCT LEVEL)	
	1	1	115-1615	1	RELAY AS (12-VOLT) (ACCUGRADE, MAST)						
Y	2	1	211-4253	1	INSTALLATION GP-MONITOR (ADVISOR)						591
Y	3	1	225-4323	1	MOUNTING GP-MAST (GRADE CONTROL)						97
	4	1	226-2333	1	MAST AS (ELECTRIC)						
		1	239-9271	1	SOFTWARE (MAST)						
	5	1	226-2334	1	RECEIVER GP-LASER (LR21)						
		1	239-9272	1	SOFTWARE GP-MONITOR (RECEIVER)						
	6	1	226-9167	1	ADAPTER (RECEIVER)						
	7	1	226-9169	1	MODULE GP-POWER SUPPLY						
	8	1	226-9270	1	CABLE-COILED						
	9	1	246-8044	1	HARNESS AS-WIRING (MAST)						
		1	102-8803	1	KIT-RECEPTACLE (3-PIN)						
		1	102-8806	1	KIT-RECEPTACLE (8-PIN)						
					(EACH RECEPTACLE KIT INCLUDES RECEPTACLE AS & WEDGE)						
		1	155-2265	1	KIT-CONNECTING PLUG (8-PIN)						
		1	174-0503	1	KIT-CONNECTING PLUG (3-PIN)						
					(EACH PLUG KIT INCLUDES PLUG AS, WEDGE & INTERFACE SEAL)						
		1	155-2260	1	KIT-CONNECTING PLUG (3-PIN)						
					(INCLUDES PLUG AS, WEDGES & INTERFACE SEAL)						
	10	1	3S-2093	15	STRAP-CABLE						
M	11	1	8T-4138	1	BOLT (M6X1X20-MM)						
	12	1	8T-4205	1	WASHER-HARD (7.2X14.5X2-MM THK)						

M-METRIC PART
Y-SEPARATE ILLUSTRATION

ELECTRICAL AND STARTING SYSTEM

246-8045 INSTALLATION GP-GRADE CONTROL (contd.)

i02445997



GRAPHIC #1

<END>

g01233594

ELECTRICAL AND STARTING SYSTEM

234-4328 LAMP GP-FLOOD-SUSPENDED MOUNT (CHG -00, -01)

S/N: HLS1-UP

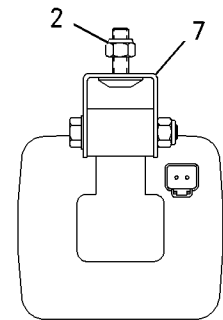
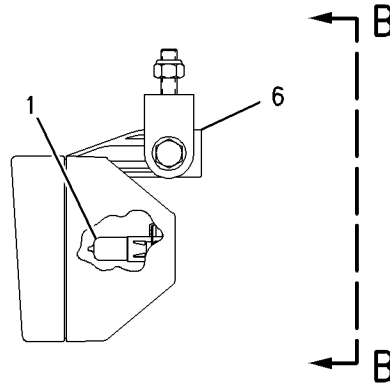
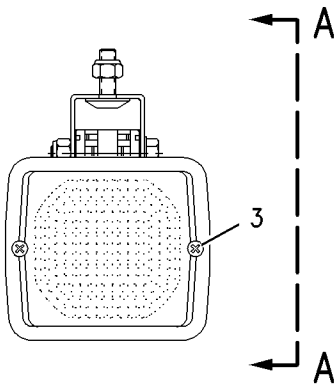
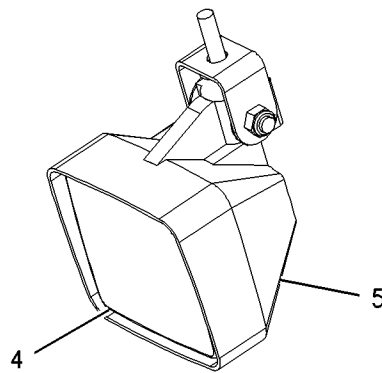
PART OF 211-4277 LIGHTING GP-FLOOD & SIGNAL
AN ATTACHMENT

SMCS-1429, 1434

i02274830

NOTE	REF NO	GRAPHIC REF	PART NUMBER	QTY	PART NAME						SEE PAGE
					1	2	3	4	5	6 (PRODUCT LEVEL)	
	1	1	9W-0607	1	LAMP (12-VOLT, 55-WATT)						
M	2	1	8T-4133	1	NUT (M10X1.5-THD)						
	3	1	9X-4244	2	SCREW						
	4	1	202-6614	1	LENS AS (FLOODLIGHT)						
	5	1	234-7730	1	BODY AS						
	6	1	164-7556	1	CLIP (LAMP RETAINING)						
	7	1	234-7731	1	BRACKET AS						

M-METRIC PART



VIEW A-A

VIEW B-B

GRAPHIC #1

<END>

g01004557

ELECTRICAL AND STARTING SYSTEM

234-4329 LAMP GP-FLOOD-SUSPENDED MOUNT (CHG -00, -01)

S/N: HLS1-UP

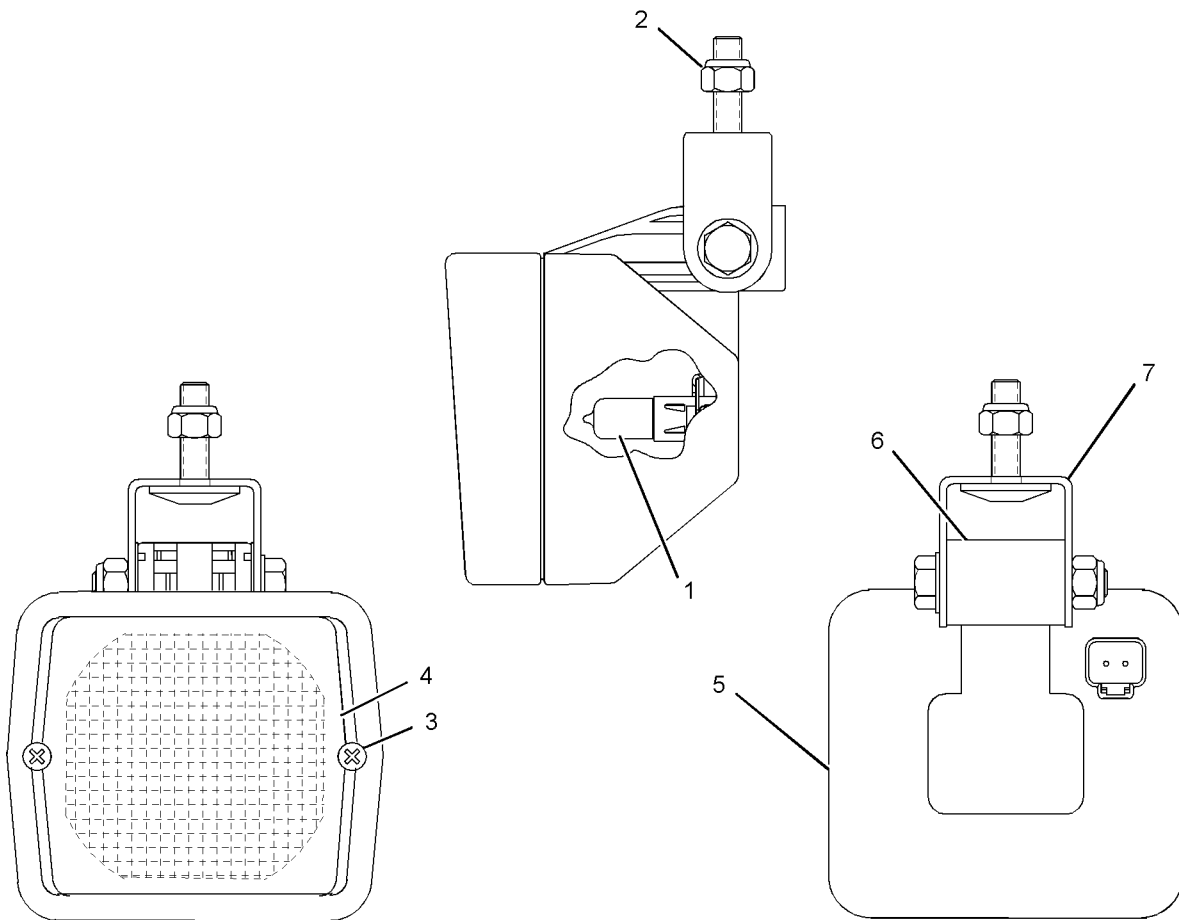
PART OF 211-4277 LIGHTING GP-FLOOD & SIGNAL
AN ATTACHMENT

SMCS-1429, 1434

i02206639

NOTE	REF NO	GRAPHIC REF	PART NUMBER	QTY	PART NAME						SEE PAGE
					1	2	3	4	5	6 (PRODUCT LEVEL)	
	1	1	9W-0607	1	LAMP (12-VOLT, 55-WATT)						
M	2	1	8T-4133	1	NUT (M10X1.5-THD)						
	3	1	9X-4244	2	SCREW						
	4	1	202-6611	1	LENS AS (FLOODLIGHT) (LONG RANGE)						
	5	1	234-7730	1	BODY AS						
	6	1	164-7556	1	CLIP (LAMP RETAINING)						
	7	1	234-7731	1	BRACKET AS						

M-METRIC PART



GRAPHIC #1

<END>

g01026923

ELECTRICAL AND STARTING SYSTEM

180-3664 LAMP GP-WARNING BEACON-MAGNETIC MOUNT

(CHG -00, -01)

S/N: HLS1-UP

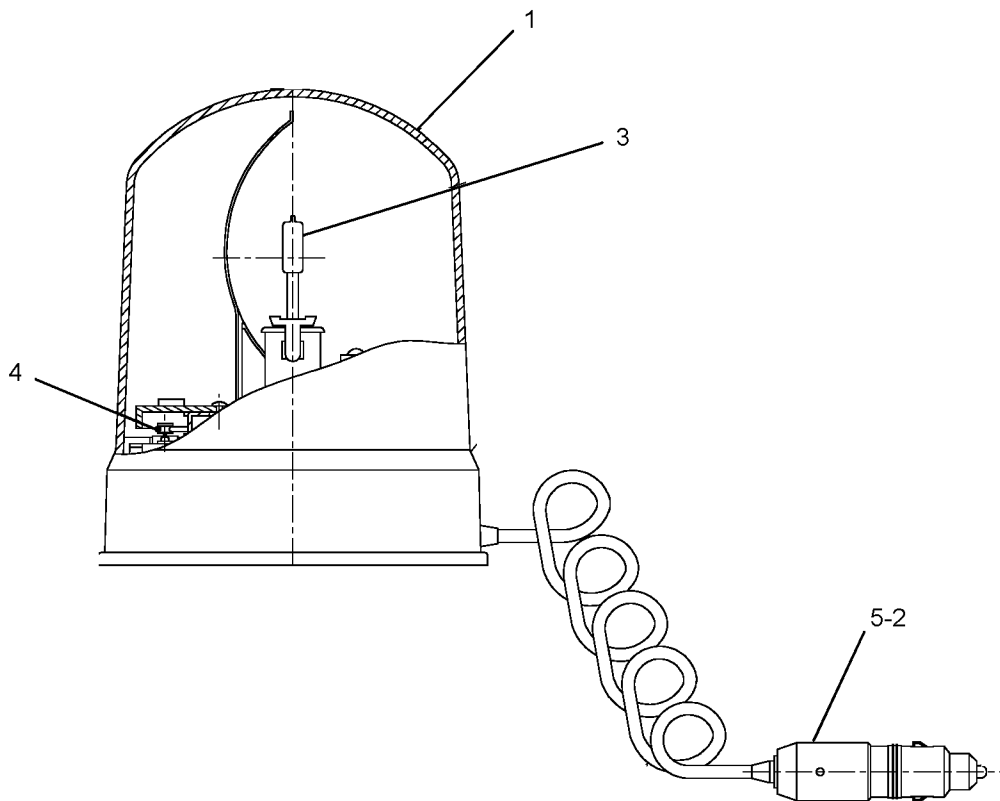
PART OF 211-4292 LIGHTING GP-WARNING BEACON

AN ATTACHMENT

SMCS-1431

i02467097

NOTE	REF NO	GRAPHIC REF	PART NUMBER	QTY	PART NAME						SEE PAGE
					1	2	3	4	5	6 (PRODUCT LEVEL)	
	1	1	272-9800	1	LENS						
	2	1	179-5434	1	PLUG AS						
		1	3K-8782	1	FUZE (10-AMPERE)						
	3	1	9X-8118	1	LAMP (12-VOLT, 55-WATT)						
	4	1	9X-8139	1	BELT-DRIVE (WARNING BEACON)						
	5	1	3K-8782	1	FUZE (10-AMPERE)						



GRAPHIC #1

<END>

g01230468

ELECTRICAL AND STARTING SYSTEM

211-4277 LIGHTING GP-FLOOD & SIGNAL-NACD, OPTIONAL (CHG -03 THRU -06)

S/N: HLS1-UP

PART OF 269-2125, 269-2126, 269-2127 CAB AR, 269-2123, 269-2124 CANOPY AR
AN ATTACHMENT

SMCS-1429, 1430, 1432, 1434

i02357744

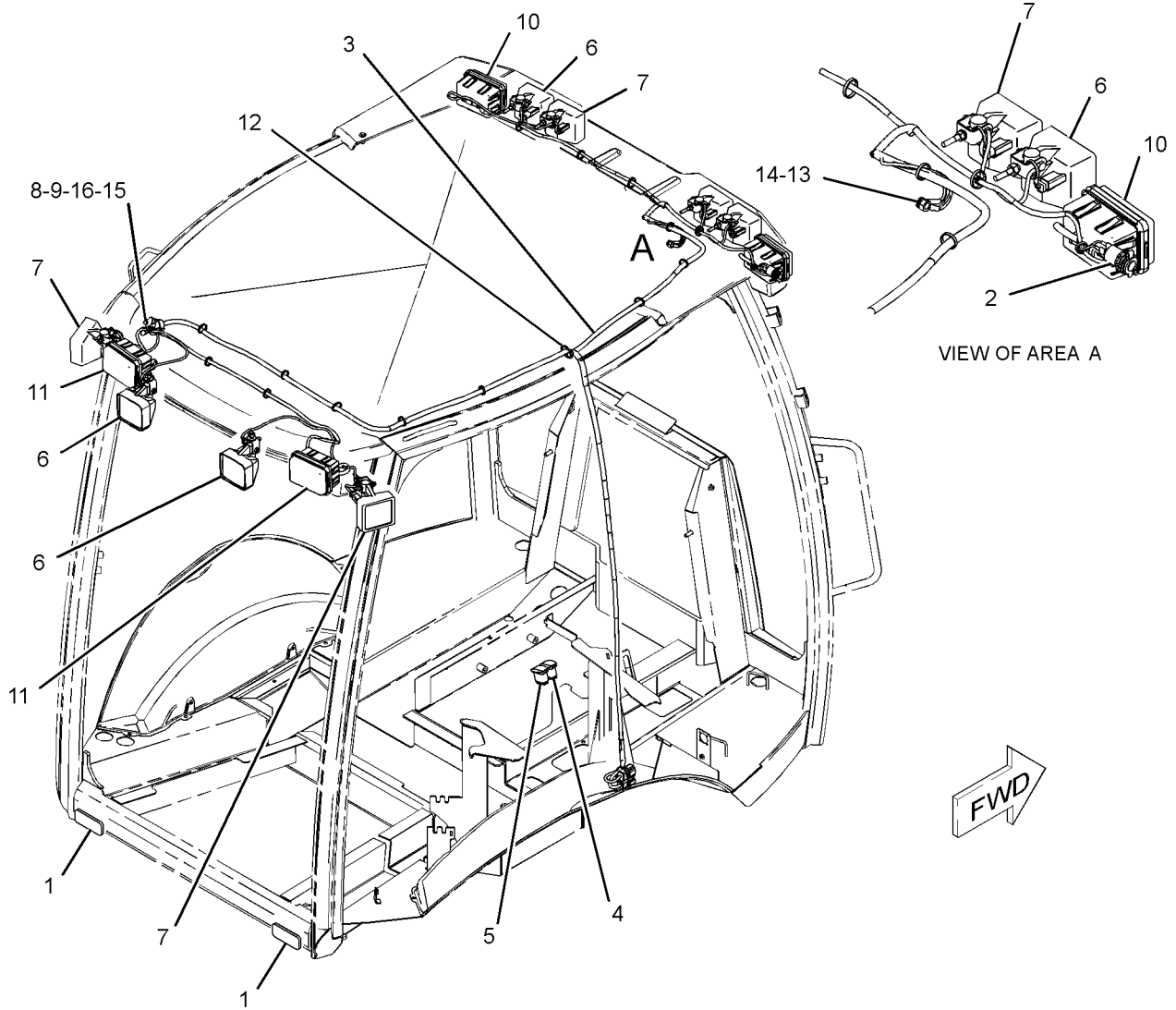
NOTE	REF NO	GRAPHIC REF	PART NUMBER	QTY	PART NAME						SEE PAGE
					1	2	3	4	5	6 (PRODUCT LEVEL)	
	1	1	9R-1499	2	REFLECTOR						
	2	1	178-7539	1	RECEPTACLE AS (POWER SUPPLY)						
	3	1	213-6049	1	HARNESS AS-LIGHTING (ROOF)						
		1	8L-8413	19	STRAP-CABLE						
E		1	125-7874		TUBE-HEAT SHRINK (5.72-MM DIA) (35-CM)						
E		1	125-7875		TUBE-HEAT SHRINK (7.44-MM DIA) (15-CM)						
		1	155-2271	2	KIT-CONNECTING PLUG (4-PIN)						
		1	155-2270	10	KIT-CONNECTING PLUG (2-PIN)						
					(EACH PLUG KIT INCLUDES PLUG AS & WEDGE)						
		1	102-8805	1	KIT-RECEPTACLE (6-PIN)						
		1	102-8806	1	KIT-RECEPTACLE (8-PIN)						
					(EACH RECEPTACLE KIT INCLUDES RECEPTACLE AS & WEDGE)						
	4	1	214-4698	1	SWITCH AS-ROCKER (FLOODLIGHTS, FRONT)						
		1	111-7899	1	GASKET						
	5	1	214-4700	1	SWITCH AS-ROCKER (FLOODLIGHTS, REAR)						
		1	111-7899	1	GASKET						
Y	6	1	234-4328	4	LAMP GP-FLOOD (12-VOLT, SUSPENDED MOUNT) (FRONT, REAR, WIDE RANGE)						91
Y	7	1	234-4329	4	LAMP GP-FLOOD (12-VOLT, SUSPENDED MOUNT) (FRONT, SIDE, LONG RANGE)						92
	8	1	282-7833	1	GROMMET						
	9	1	282-7835	1	PLATE						
	10	1	172-6489	2	LAMP GP-HEAD & SIGNAL						
					(EACH INCLUDES)						
		1	3C-4883	1	LAMP (12-VOLT, 21-WATT)						
		1	176-0348	1	LENS (FRONT)						
		1	102-8802	1	KIT-RECEPTACLE (2-PIN)						
					(INCLUDES RECEPTACLE AS & WEDGE)						
	11	1	172-6490	2	LAMP GP-SIGNAL						
					(EACH INCLUDES)						
		1	3C-4883	1	LAMP (12-VOLT, 21-WATT)						
		1	3C-6516	1	LAMP (12-VOLT, 21/5-WATT)						
		1	146-2438	1	LENS-LAMP (REAR)						
		1	102-8804	1	KIT-RECEPTACLE (4-PIN)						
					(INCLUDES RECEPTACLE AS & WEDGE)						
	12	1	3S-2093	25	STRAP-CABLE						
	13	1	8T-4121	2	WASHER-HARD (11X21X2.5-MM THK)						
M	14	1	8T-4133	1	NUT (M10X1.5-THD)						
M	15	1	8T-4181	2	BOLT (M6X1X20-MM)						
	16	1	9X-8256	2	WASHER (6.6X12X2-MM THK)						

E-ORDER BY THE CENTIMETER
M-METRIC PART
Y-SEPARATE ILLUSTRATION

ELECTRICAL AND STARTING SYSTEM

211-4277 LIGHTING GP-FLOOD & SIGNAL (contd.)

i02357744



GRAPHIC #1

<END>

g01233110

ELECTRICAL AND STARTING SYSTEM

211-4292 LIGHTING GP-WARNING BEACON (CHG -03, -04)

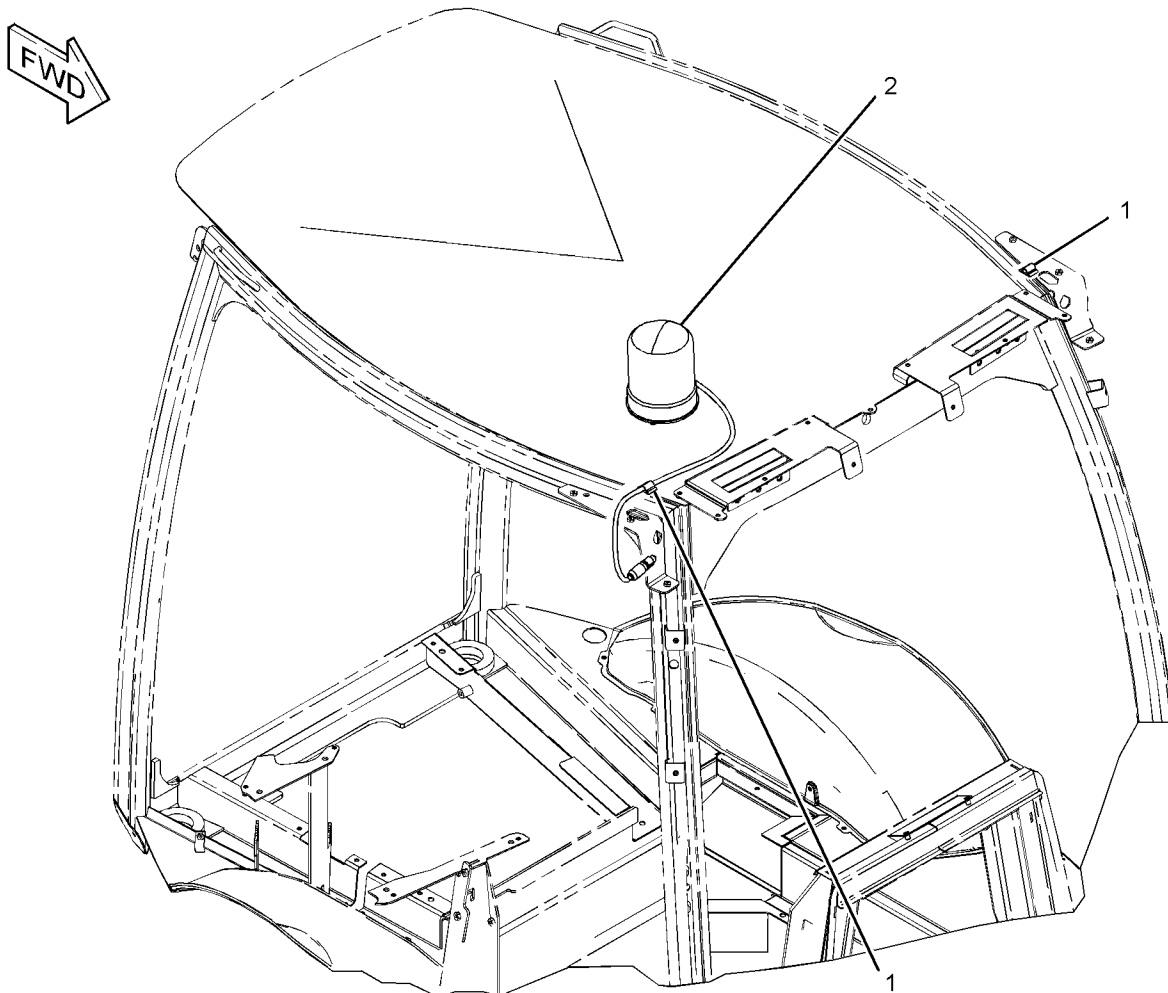
S/N: HLS1-UP
AN ATTACHMENT

SMCS-1431

i02467098

NOTE	REF NO	GRAPHIC REF	PART NUMBER	QTY	PART NAME						SEE PAGE
					1	2	3	4	5	6 (PRODUCT LEVEL)	
	1	1	031-5644	1	CLIP						
Y	2	1	180-3664	1	LAMP GP-WARNING BEACON (12-VOLT, AMBER)						93

Y-SEPARATE ILLUSTRATION



GRAPHIC #1

<END>

g01233454

ELECTRICAL AND STARTING SYSTEM

225-4323 MOUNTING GP-MAST-ACCUGRADE (CHG -01, -02)

S/N: HLS1-UP

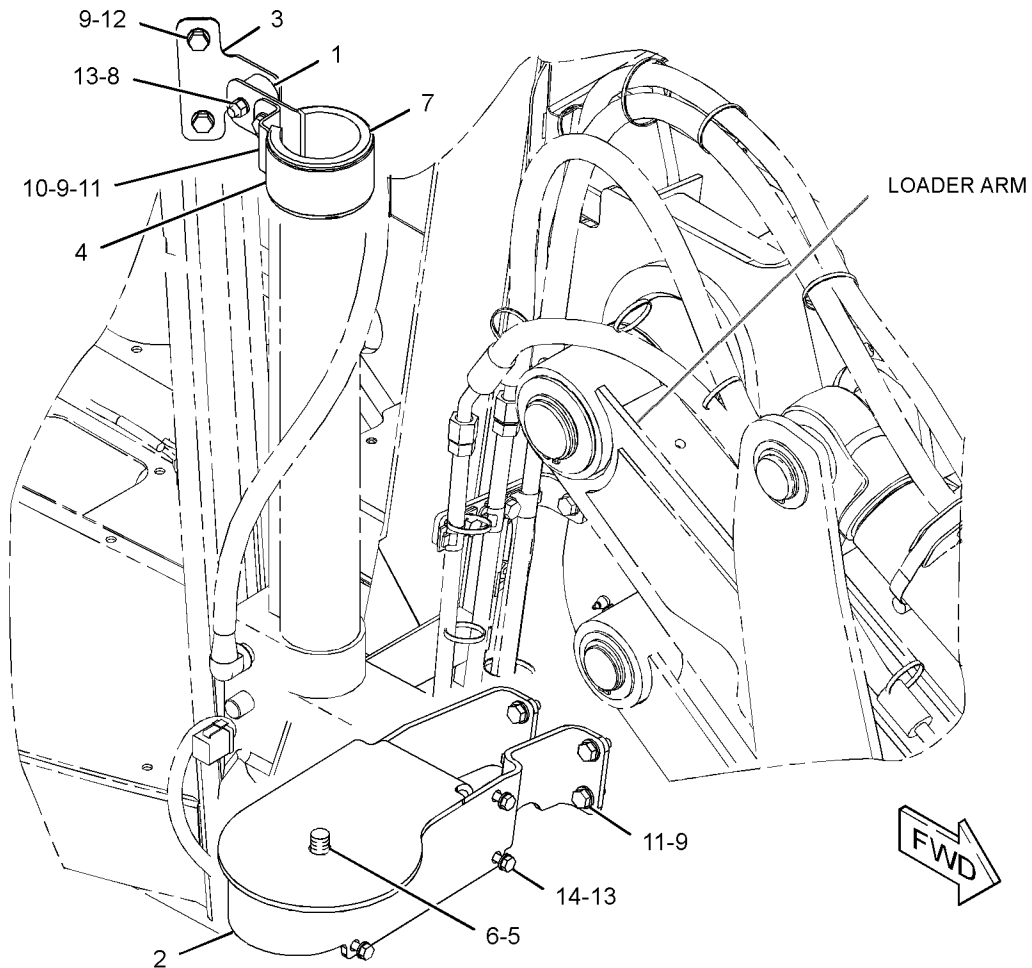
PART OF 246-8045 INSTALLATION GP-GRADE CONTROL
AN ATTACHMENT

SMCS-6401

i02355762

NOTE	REF NO	GRAPHIC REF	PART NUMBER	QTY	PART NAME						SEE PAGE
					1	2	3	4	5	6 (PRODUCT LEVEL)	
	1	1	9W-4361	1	MOUNT-FLEXIBLE						
	2	1	225-4324	1	PLATE AS						
M		1	8T-3612	4	NUT-WELD (M8X1.25-THD)						
		1	091-4113	1	SPACER						
	3	1	225-4326	1	PLATE						
	4	1	251-6708	1	PLATE						
	5	1	2H-3740	1	BOLT (3/4-16X1.25-IN)						
	6	1	5P-8248	1	WASHER-HARD (20X36.5X3.5-MM THK)						
	7	1	6V-1869	1	GROMMET						
	8	1	6V-8801	2	NUT (3/8-16-THD)						
	9	1	8T-4121	8	WASHER-HARD (11X21X2.5-MM THK)						
M	10	1	8T-4133	1	NUT (M10X1.5-THD)						
M	11	1	8T-4136	5	BOLT (M10X1.5X25-MM)						
M	12	1	8T-4137	2	BOLT (M10X1.5X20-MM)						
	13	1	8T-4224	6	WASHER-HARD (8.8X16X2-MM THK)						
M	14	1	8T-4908	4	BOLT (M8X1.25X25-MM)						

M-METRIC PART



GRAPHIC #1

<END>

g01233616

ELECTRICAL AND STARTING SYSTEM

251-3200 MOUNTING GP-SENSOR-ANGLE (CHG -00, -01)

S/N: HLS1-UP

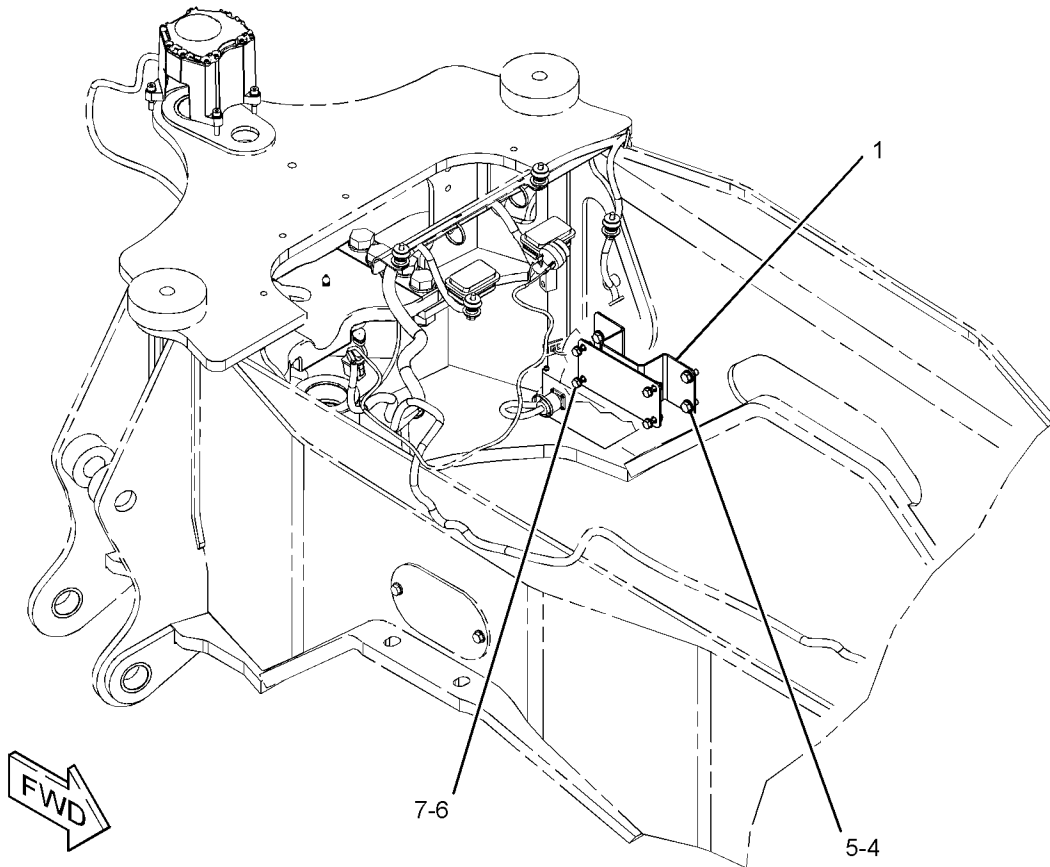
PART OF 211-4253 INSTALLATION GP-MONITOR
AN ATTACHMENT

SMCS-5736

i02440898

NOTE	REF NO	GRAPHIC REF	PART NUMBER	QTY	PART NAME						SEE PAGE
					1	2	3	4	5	6 (PRODUCT LEVEL)	
	1	1	264-3756	1	PLATE AS						
	4	1	8T-4121	3	WASHER-HARD (11X21X2.5-MM THK)						
M	5	1	8T-4137	3	BOLT (M10X1.5X20-MM)						
	6	1	8T-4224	4	WASHER-HARD (8.8X16X2-MM THK)						
M	7	1	8T-7547	4	BOLT (M8X1.25X30-MM)						

M-METRIC PART



GRAPHIC #1

<END>

g01205531

ELECTRICAL AND STARTING SYSTEM

276-7287 RELAY GP (CHG -00)

S/N: HLS1-UP

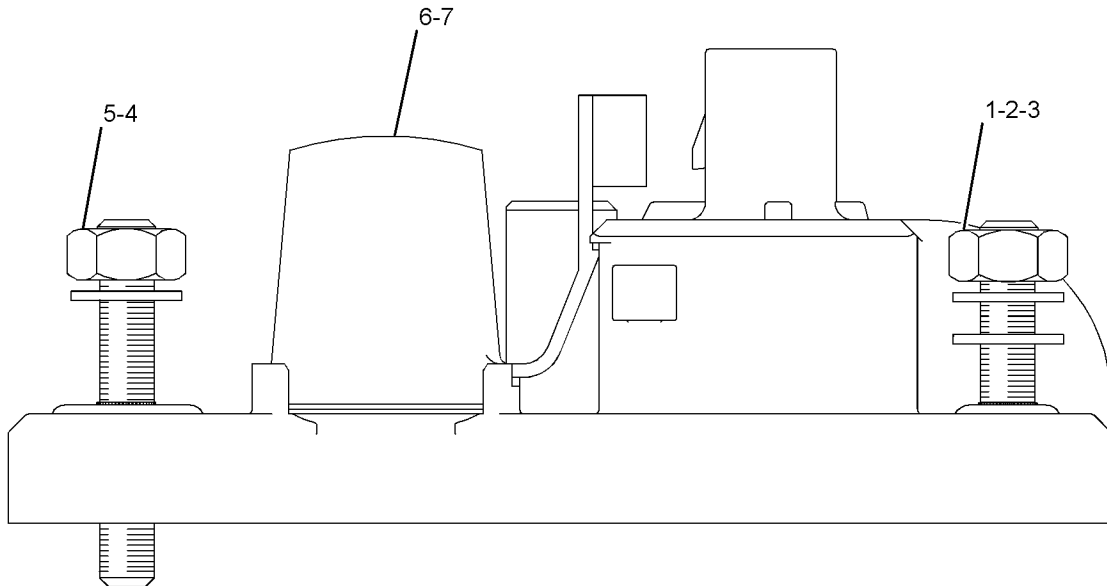
PART OF 211-4268 WIRING GP-AIR CONDITIONER, 211-4269 WIRING GP-HEATER
AN ATTACHMENT

SMCS-1422, 4493

i02481639

NOTE	REF NO	GRAPHIC REF	PART NUMBER	QTY	PART NAME						SEE PAGE
					1	2	3	4	5	6 (PRODUCT LEVEL)	
M	1	1	5C-2890	2	NUT (M6X1-THD)						
	2	1	8T-4205	2	WASHER-HARD (7.2X14.5X2-MM THK)						
	3	1	1H-3244	2	LOCKWASHER						
M	4	1	5C-7261	1	NUT (M8X1.25-THD)						
	5	1	8T-4224	1	WASHER-HARD (8.8X16X2-MM THK)						
	6	1	267-5213	1	COVER						
	7	1	267-5211	1	SEAL						

M-METRIC PART



GRAPHIC #1

<END>

g01239730

ELECTRICAL AND STARTING SYSTEM

276-7290 RELAY GP-12-VOLT (CHG -00)

S/N: HLS1-UP

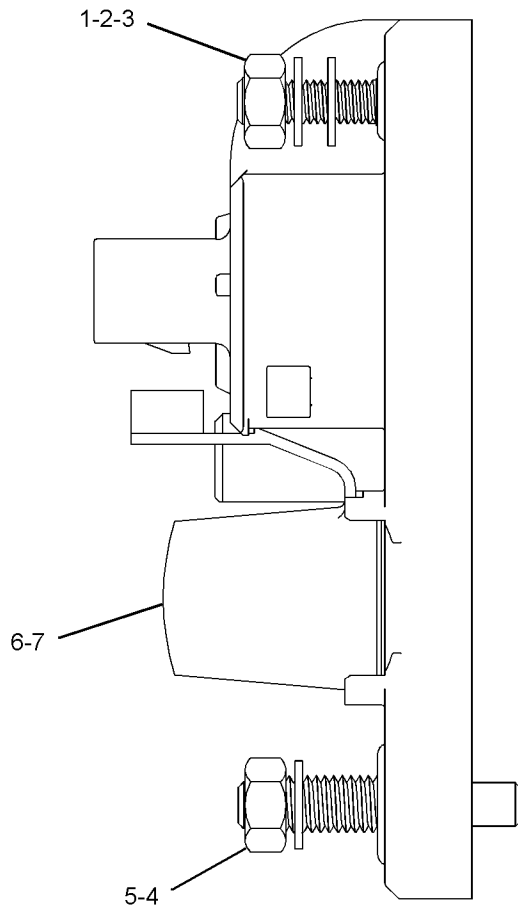
PART OF 211-4240 WIRING GP-PLATFORM
AN ATTACHMENT

SMCS-1422, 4493

i02446335

NOTE	REF NO	GRAPHIC REF	PART NUMBER	QTY	PART NAME						SEE PAGE
					1	2	3	4	5	6 (PRODUCT LEVEL)	
M	1	1	5C-2890	2	NUT (M6X1-THD)						
	2	1	8T-4205	2	WASHER-HARD (7.2X14.5X2-MM THK)						
	3	1	1H-3244	2	LOCKWASHER						
M	4	1	5C-7261	1	NUT (M8X1.25-THD)						
	5	1	8T-4224	1	WASHER-HARD (8.8X16X2-MM THK)						
	6	1	267-5213	1	COVER						
	7	1	267-5211	1	SEAL						

M-METRIC PART



GRAPHIC #1

<END>

g01212724

BUY NOW

**Then Instant Download
the Complete Manual
Thank you very much!**