

# BASIC ENGINE

## 197-8602 COVER GP-CYLINDER BLOCK

S/N: 4ZF1-UP

PART OF 166-0273, 169-3791, 176-5509, 176-9269 ENGINE AR  
ALSO AN ATTACHMENT

SMCS-1201

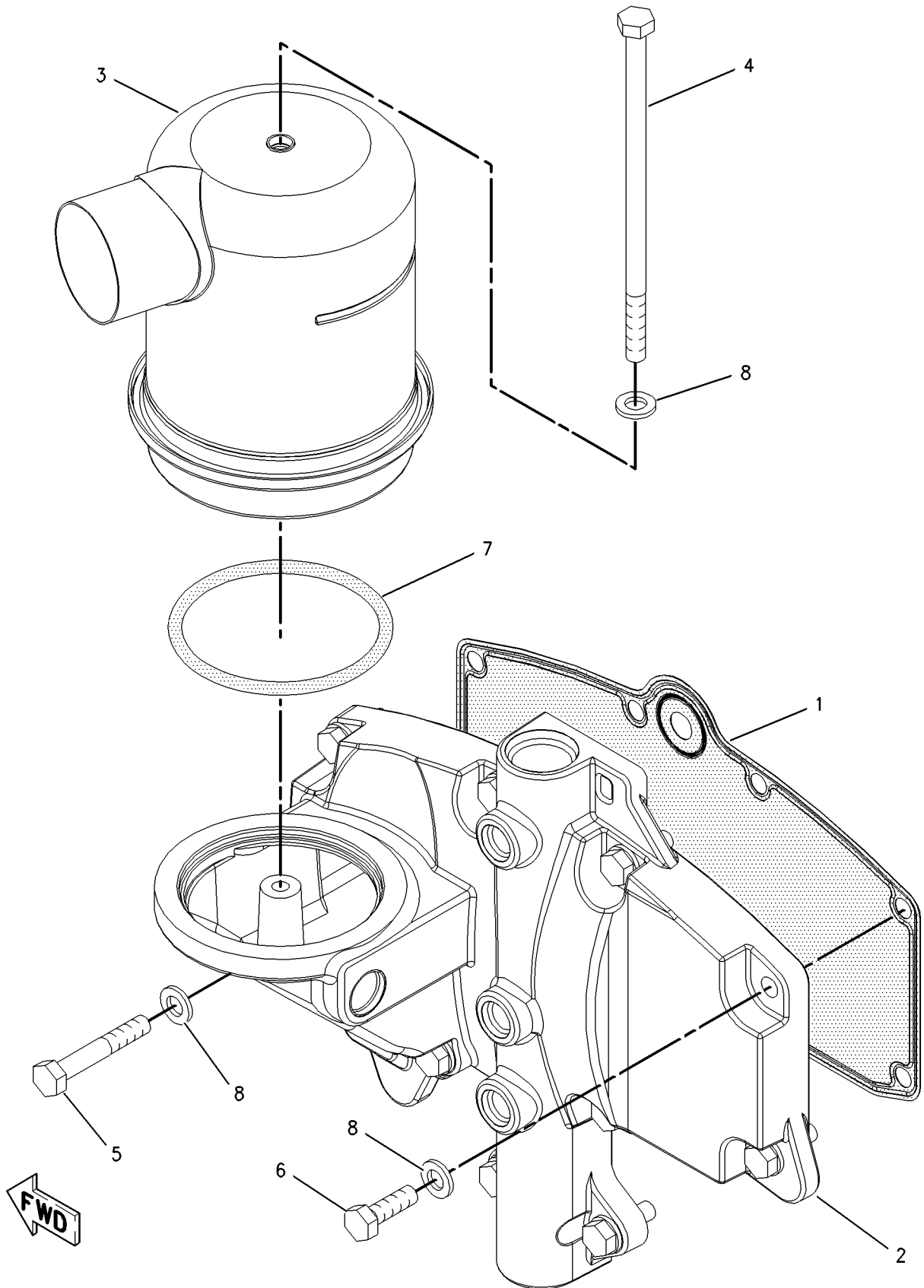
i01644372

NOTE	REF NO	GRAPHIC REF	PART NUMBER	QTY	PART NAME						SEE PAGE
					1	2	3	4	5	6 (PRODUCT LEVEL)	
	1	1	205-5285	1	GASKET						
	2	1	209-3777	1	COVER						
M	4	1	3E-8005	1	BOLT (M8X1.25X160MM)						
M	5	1	6V-3918	2	BOLT (M8X1.25X50MM)						
M	6	1	6V-3940	9	BOLT (M8X1.25X25MM)						
	7	1	9F-4446	1	SEAL-O-RING						
	8	1	9M-1974	12	WASHER-HARD (8.8X16X2MM THK)						
M-METRIC PART											

# BASIC ENGINE

197-8602 COVER GP - CYLINDER BLOCK (contd.)

i01644372



GRAPHIC #1

g00851801

# BASIC ENGINE

## 118-1727 COVER GP-FRONT HOUSING

S/N: 4ZF1-UP

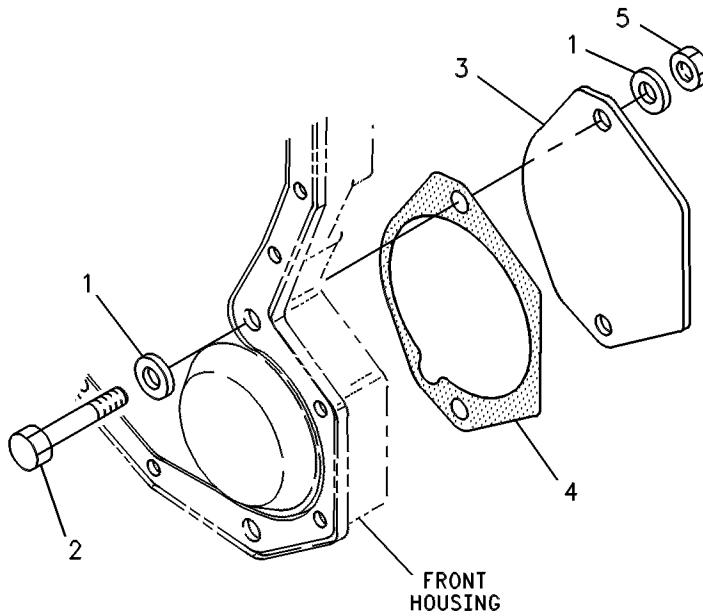
PART OF 166-0273, 169-3791, 176-5509, 176-9269 ENGINE AR  
ALSO AN ATTACHMENT

SMCS-1151, 1162, 1166

i01367161

NOTE	REF NO	GRAPHIC REF	PART NUMBER	QTY	PART NAME						SEE PAGE
					1	2	3	4	5	6 (PRODUCT LEVEL)	
	1	1	5P-8245	4	WASHER-HARD (3MM THK)						
M	2	1	6V-5696	2	BOLT (M12X1.75X80MM)						
	3	1	4W-2026	1	COVER						
	4	1	135-9819	1	SEAL						
M	5	1	6V-8149	2	NUT (M12X1.75 THD)						

M-METRIC PART



GRAPHIC #1

g00245495

# MEMORANDA

# BASIC ENGINE

## 206-6923 COVER GP-FRONT HOUSING

S/N: 4ZF1-UP

PART OF 166-0273, 169-3791, 176-5509, 176-9269 ENGINE AR  
ALSO AN ATTACHMENT

SMCS-1151, 1162, 1166

i01644387

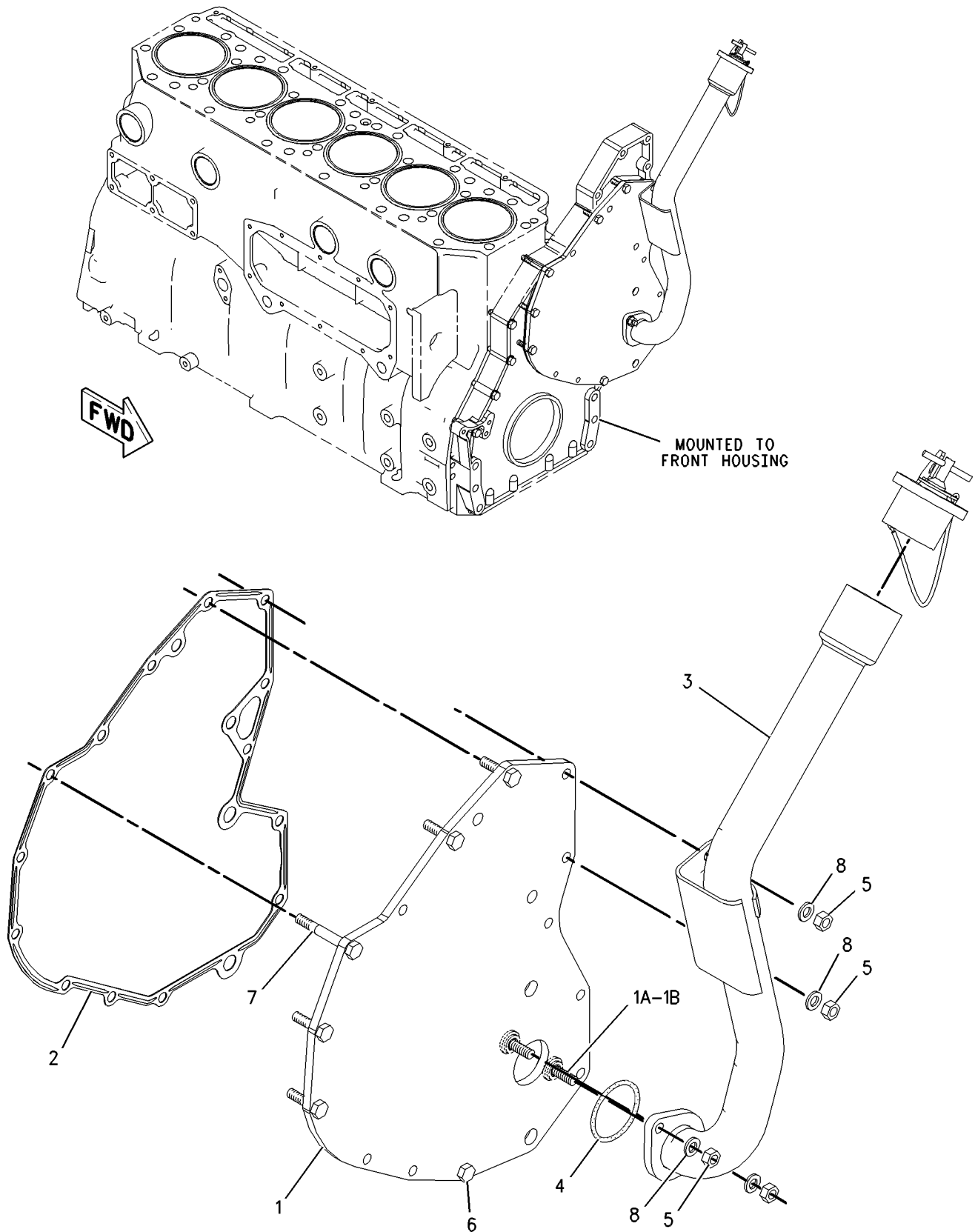
NOTE	REF NO	GRAPHIC REF	PART NUMBER	QTY	PART NAME						SEE PAGE
					1	2	3	4	5	6 (PRODUCT LEVEL)	
	1	1	166-1776	1	COVER AS-FRONT						
	1A	1	126-1757	2	WASHER						
	1B	1	136-0822	2	STUD						
	2	1	166-1781	1	GASKET						
	3	1	206-5887	1	TUBE AS						
	4	1	061-9455	1	SEAL-O-RING						
M	5	1	5C-7261	4	NUT (M8X1.25 THD)						
M	6	1	6V-2317	5	BOLT (M8X1.25X30MM)						
M	7	1	8T-0100	1	BOLT (M8X1.25X60MM)						
	8	1	8T-4224	4	WASHER-HARD (8.8X16X2MM THK)						

M-METRIC PART

# BASIC ENGINE

206-6923 COVER GP - FRONT HOUSING (contd.)

i01644387



GRAPHIC #1

g00850139

# BASIC ENGINE

## 204-5208 COVER GP - VALVE MECHANISM

S/N: 4ZF1-UP

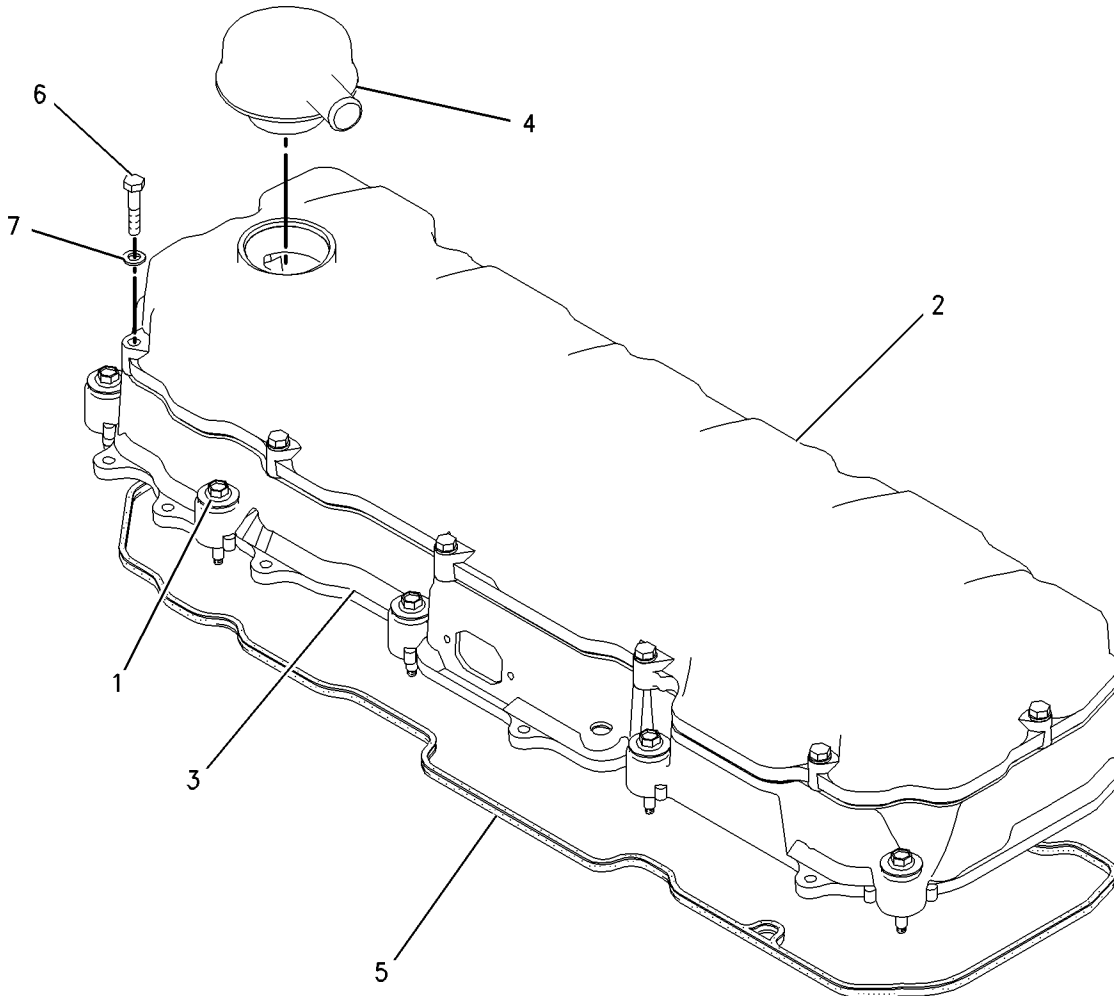
PART OF 166-0273, 169-3791, 176-5509, 176-9269 ENGINE AR  
ALSO AN ATTACHMENT

SMCS-1107, 1120

i01649736

NOTE	REF NO	GRAPHIC REF	PART NUMBER	QTY	PART NAME						SEE PAGE
					1	2	3	4	5	6 (PRODUCT LEVEL)	
	1	1	208-0039	9	FASTENER AS						
	2	1	191-4531	1	COVER AS						
	3	1	201-1571	1	COVER-BASE						
	4	1	204-4444	1	BREATHER AS						
		1	124-0506	1	SEAL						
		1	160-0526	1	SEAL-O-RING						
		1	185-3159	1	ELEMENT						
	5	1	205-5164	1	SEAL						
M	6	1	6V-5219	11	BOLT (M8X1.25X40MM)						
	7	1	9M-1974	11	WASHER-HARD (8.8X16X2MM THK)						

M-METRIC PART



GRAPHIC #1

g00797873

# BASIC ENGINE

## 164-6148 CRANKSHAFT GP

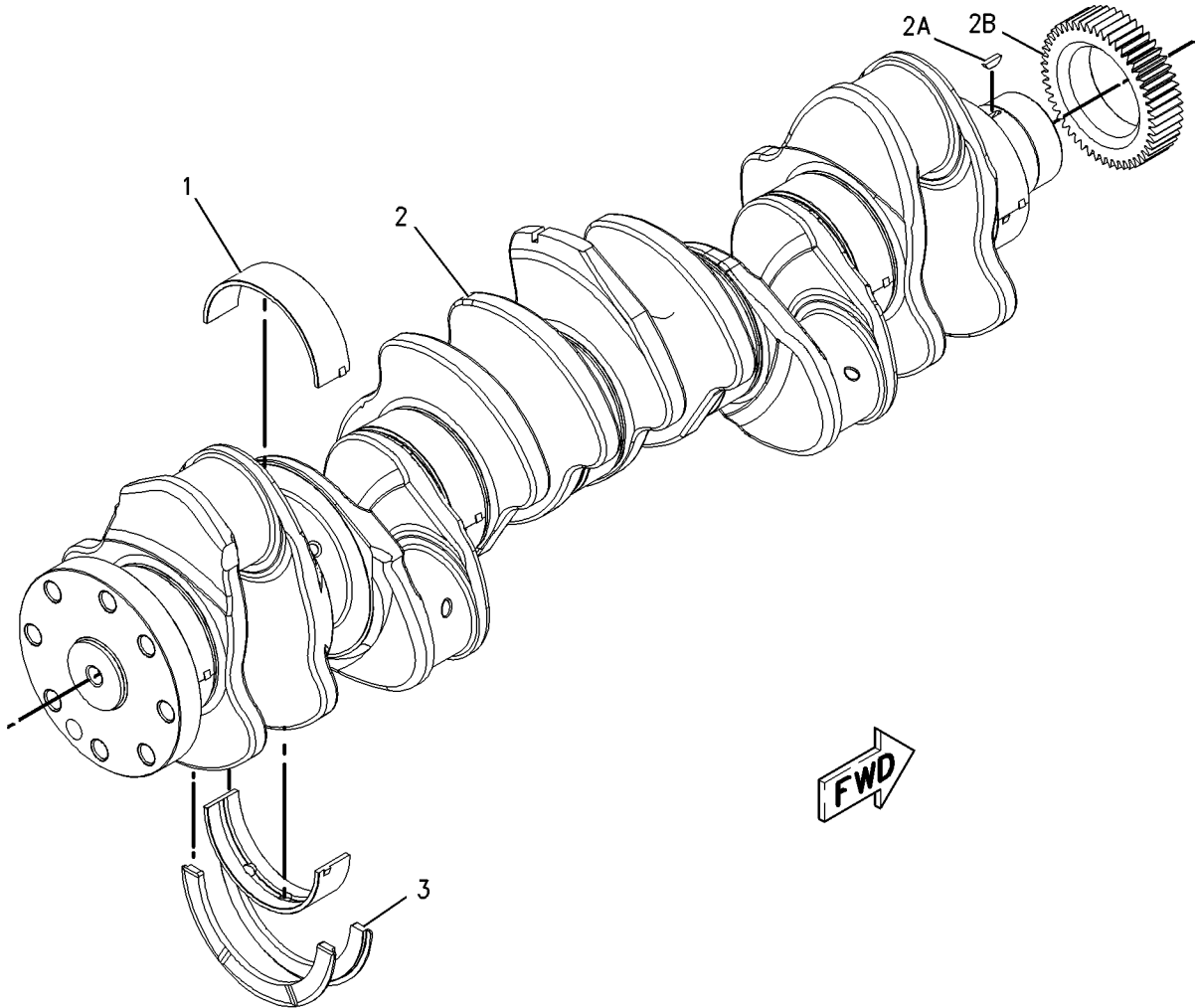
S/N: 4ZF1-UP

PART OF 166-0270, 169-3788 ENGINE AR-CORE  
ALSO AN ATTACHMENT

SMCS-1202, 1203, 1204, 1230, 1231, 1232

i01391852

NOTE	REF NO	GRAPHIC REF	PART NUMBER	QTY	PART NAME						SEE PAGE
					1	2	3	4	5	6 (PRODUCT LEVEL)	
	1	1	151-2939	7	BEARING-MAIN						
	2	1	160-8147	1	CRANKSHAFT AS						
	2A	1	1B-8705	1	KEY-WOODRUFF						
	2B	1	2W-8147	1	GEAR (50 TEETH)						
	3	1	160-8166	2	PLATE-THRUST						



GRAPHIC #1

g00738316



# BASIC ENGINE

## 204-9538 CYLINDER BLOCK AS

S/N: 4ZF1-UP

PART OF 204-9539 CYLINDER BLOCK GP  
ALSO AN ATTACHMENT

SMCS-1117, 1201, 1211, 1216, 1217, 1221, 1222, 1223,  
1224, 1238, 1239, 1240, 1331

i01649807

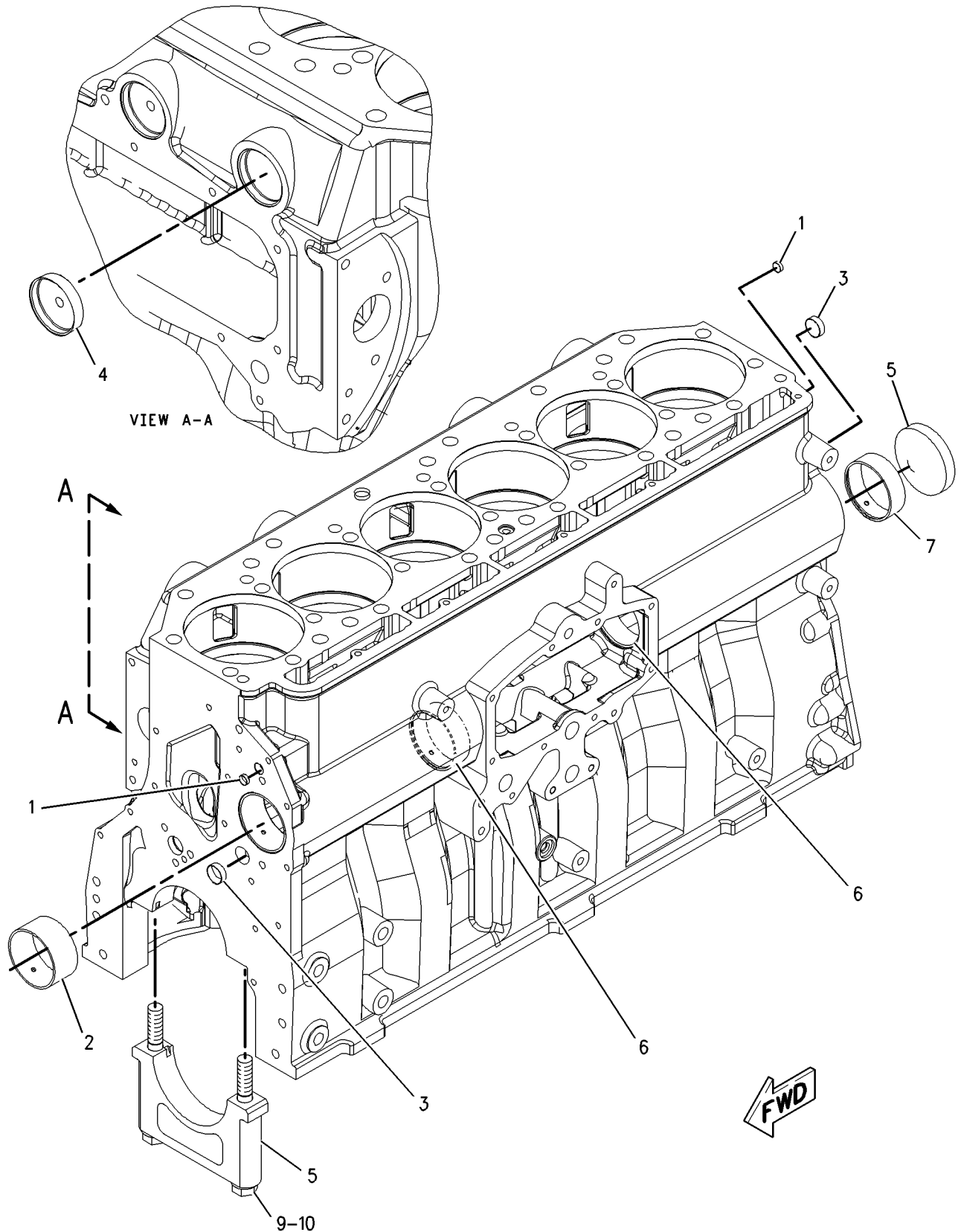
NOTE	REF NO	GRAPHIC REF	PART NUMBER	QTY	PART NAME						SEE PAGE
					1	2	3	4	5	6 (PRODUCT LEVEL)	
	1	1	<b>0L-1026</b>	2	PLUG-CUP						
	2	1	<b>2W-7211</b>	1	BEARING-SLEEVE (CAMSHAFT)						
	3	1	<b>3B-0623</b>	2	PLUG-CUP						
	4	1	<b>4F-5695</b>	4	PLUG-CUP						
	5	1	<b>212-7002</b>	7	CAP-BEARING						
	6	1	<b>203-5805</b>	2	BEARING-SLEEVE						
	7	1	<b>203-6090</b>	1	BEARING-SLEEVE						
M	9	1	<b>175-0454</b>	14	BOLT-HEX HEAD						
	10	1	<b>9X-8268</b>	14	WASHER (17.5X30X3.5MM THK)						

M-METRIC PART

# BASIC ENGINE

204-9538 CYLINDER BLOCK AS (contd.)

i01649807



GRAPHIC #1

g00809578

# BASIC ENGINE

## 161-3406 CYLINDER BLOCK GP

S/N: 4ZF1-UP

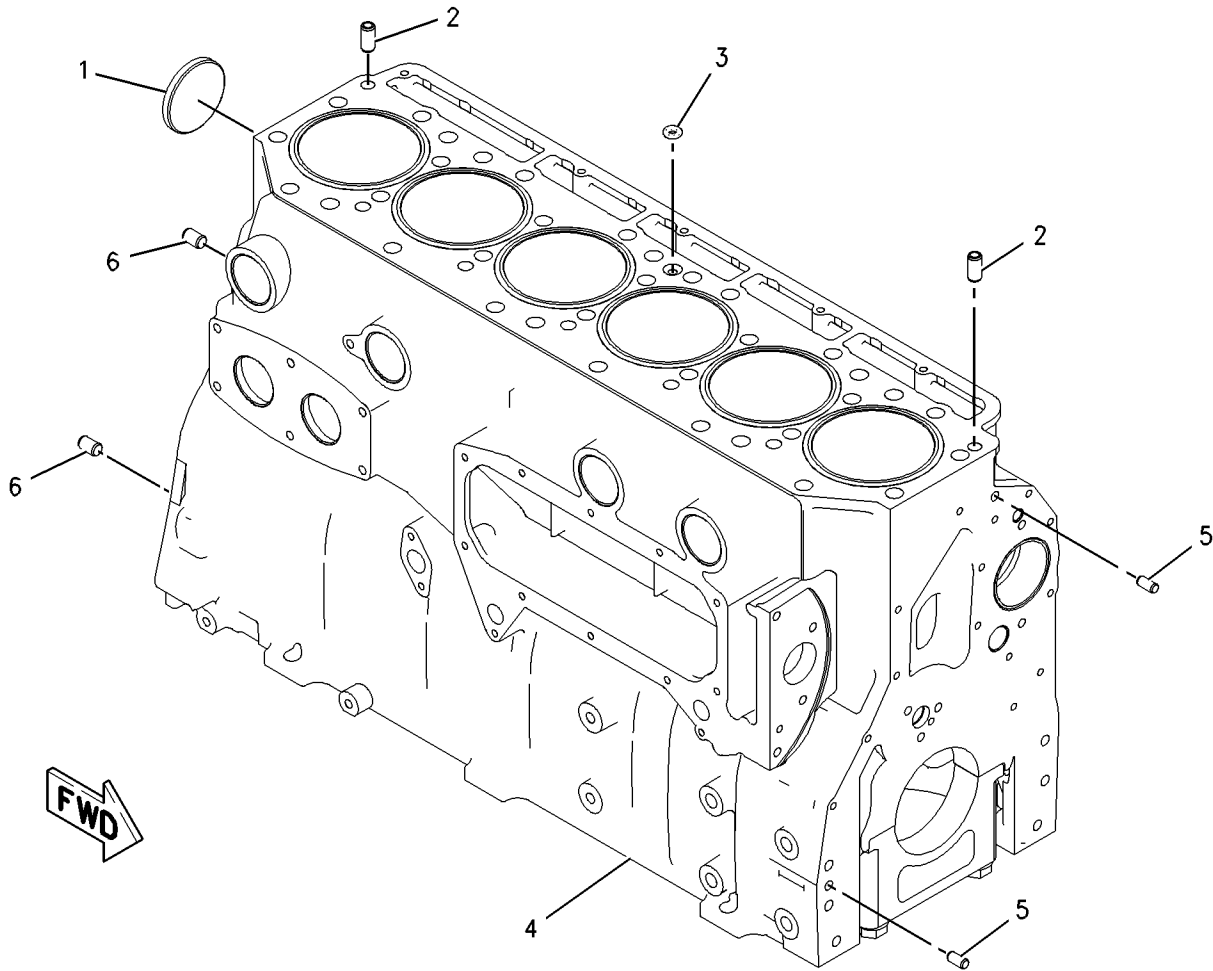
PART OF 166-0270, 169-3788 ENGINE AR-CORE  
ALSO AN ATTACHMENT

SMCS-1201

i01549678

NOTE	REF NO	GRAPHIC REF	PART NUMBER	QTY	PART NAME						SEE PAGE
					1	2	3	4	5	6 (PRODUCT LEVEL)	
	1	1	0S-0519	1	PLUG-CUP						
	2	1	1W-8407	2	SLEEVE						
	3	1	4G-4972	1	SEAL-O-RING						
Y	4	1	204-9539	1	CYLINDER BLOCK GP						29
	5	1	6V-3538	2	DOWEL						
	6	1	7N-5683	2	DOWEL						

Y-SEPARATE ILLUSTRATION



GRAPHIC #1

g00806054

# BASIC ENGINE

## 204-9539 CYLINDER BLOCK GP

S/N: 4ZF1-UP

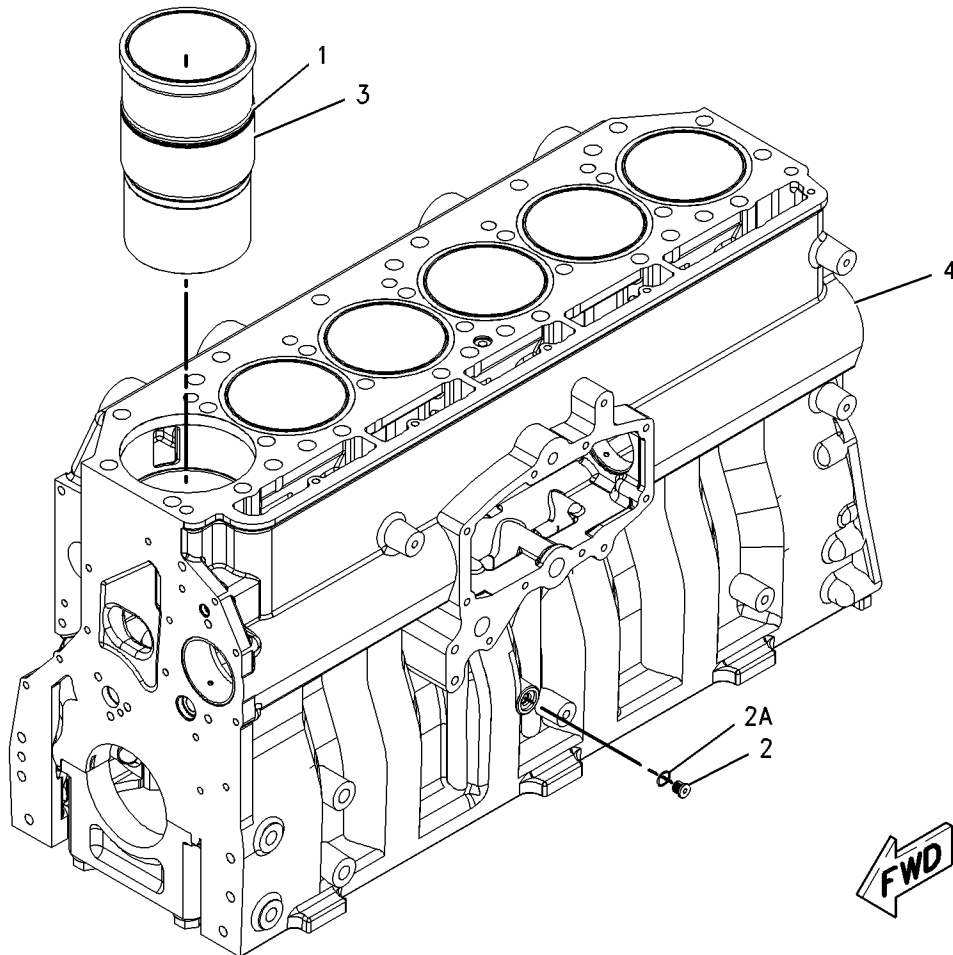
PART OF 161-3406 CYLINDER BLOCK GP  
ALSO AN ATTACHMENT

SMCS-1201

i01548047

NOTE	REF NO	GRAPHIC REF	PART NUMBER	QTY	PART NAME						SEE PAGE
					1	2	3	4	5	6 (PRODUCT LEVEL)	
	1	1	167-0024	6	SEAL-LINER						
	2	1	9S-8002	1	PLUG-O-RING						
	2A	1	033-5853	1	SEAL-O-RING						
	3	1	190-3562	6	LINER-CYLINDER						
Y	4	1	204-9538	1	CYLINDER BLOCK AS						26

Y-SEPARATE ILLUSTRATION



GRAPHIC #1

g00809597

# BASIC ENGINE

## 210-5985 CYLINDER HEAD AS

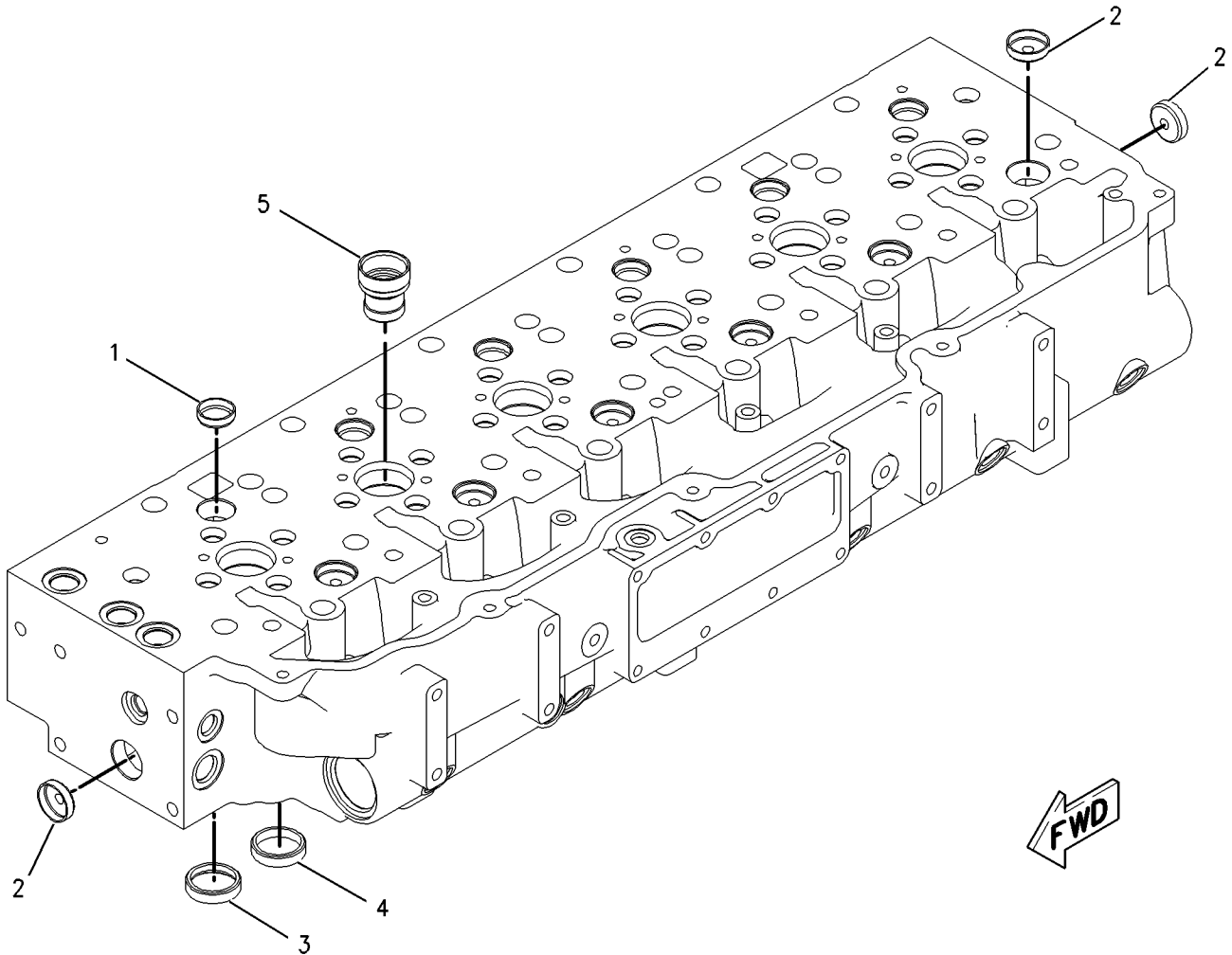
S/N: 4ZF1-UP

PART OF 210-5984 CYLINDER HEAD GP  
ALSO AN ATTACHMENT

SMCS-1100, 1101, 1103, 1104, 1105, 1106, 1108, 1109,  
1115, 1117, 1121, 1124, 1125

i01612934

NOTE	REF NO	GRAPHIC REF	PART NUMBER	QTY	PART NAME						SEE PAGE
					1	2	3	4	5	6 (PRODUCT LEVEL)	
	1	1	<b>3B-0623</b>	6	PLUG-CUP						
	2	1	<b>8M-5860</b>	18	PLUG-CUP						
	3	1	<b>176-7688</b>	12	SEAT-VALVE (INLET)						
	4	1	<b>176-7690</b>	12	SEAT-VALVE (EXHAUST)						
	5	1	<b>178-5037</b>	6	SLEEVE-INJECTOR						



GRAPHIC #1

g00851200

# MEMORANDA

# BASIC ENGINE

## 210-5984 CYLINDER HEAD GP

S/N: 4ZF1-UP

PART OF 210-5987 CYLINDER HEAD GP  
ALSO AN ATTACHMENT

SMCS-1100, 1103, 1104, 1105, 1106, 1108, 1109,  
1115, 1117, 1121, 1124, 1125

i01654763

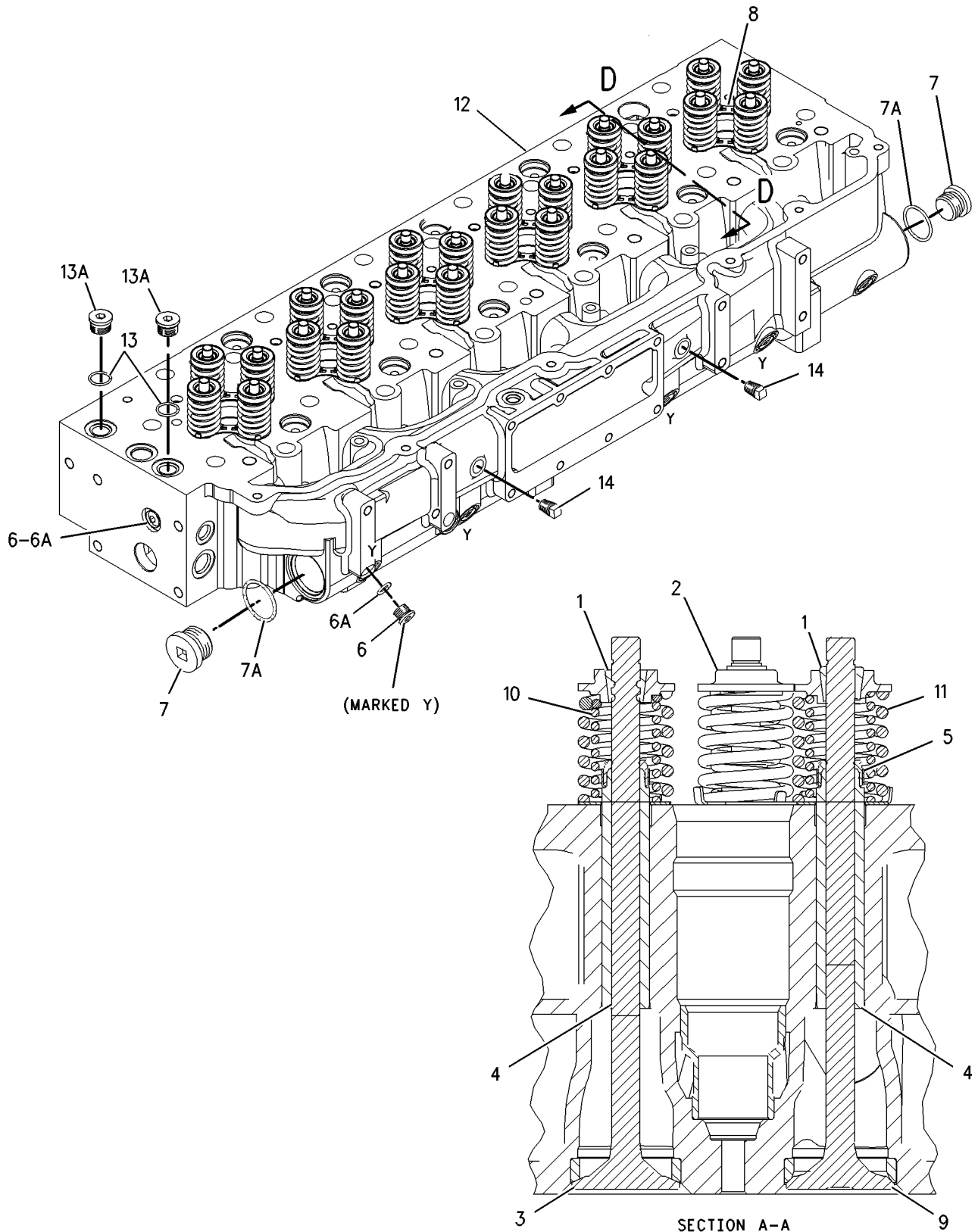
NOTE	REF NO	GRAPHIC REF	PART NUMBER	QTY	PART NAME						SEE PAGE
					1	2	3	4	5	6 (PRODUCT LEVEL)	
	1	1	2A-4429	48	LOCK-RETAINER						
	2	1	211-2134	24	RETAINER						
	3	1	163-2442	12	VALVE-INLET						
	4	1	163-2444	24	GUIDE-VALVE						
	5	1	163-2478	24	SEAL-VALVE STEM						
	6	1	9S-8004	5	PLUG						
		1	153-4906	5	SEAL-O-RING						
	7	1	9S-8010	2	PLUG						
		1	183-2317	2	SEAL-O-RING						
	8	1	183-7889	12	SEAT-VALVE SPRING						
	9	1	188-3122	12	VALVE-EXHAUST						
	10	1	190-6115	24	SPRING-VALVE (OUTER)						
	11	1	190-6117	24	SPRING-VALVE (INNER)						
Y	12	1	210-5985	1	CYLINDER HEAD AS						30
	13	1	3K-0360	2	SEAL-O-RING						
	13A	1	9S-8005	2	PLUG						
	14	1	8T-6764	2	PLUG-PIPE (1/2-14 NPTF THD)						

Y-SEPARATE ILLUSTRATION

# BASIC ENGINE

210-5984 CYLINDER HEAD GP (contd.)

i01654763



GRAPHIC #1

g00854454



# BASIC ENGINE

## 210-5987 CYLINDER HEAD GP

S/N: 4ZF1-UP

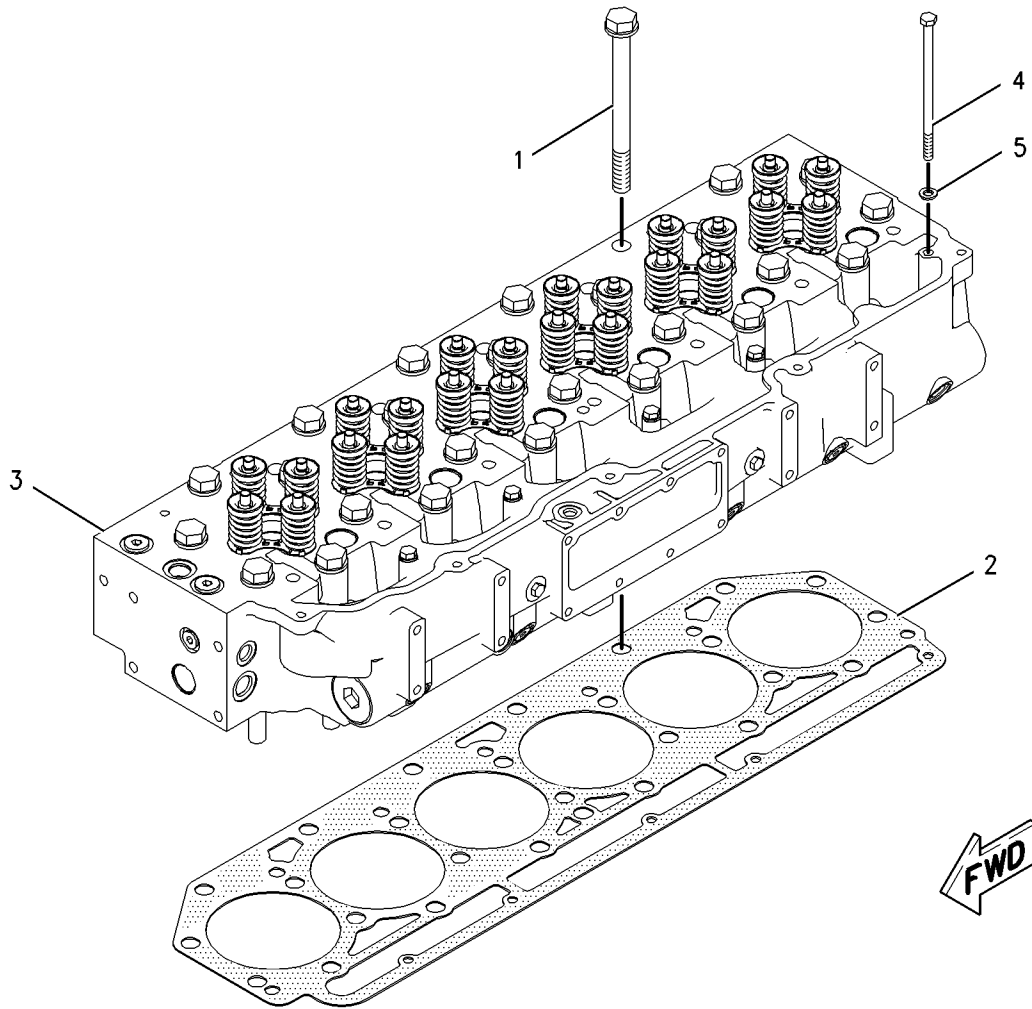
PART OF 166-0270, 169-3788 ENGINE AR-CORE  
ALSO AN ATTACHMENT

SMCS-1100, 1103, 1104, 1105, 1106, 1108, 1109,  
1115, 1117, 1121, 1124, 1125

i01612792

NOTE	REF NO	GRAPHIC REF	PART NUMBER	QTY	PART NAME						SEE PAGE
					1	2	3	4	5	6 (PRODUCT LEVEL)	
Y	1	1	167-0171	26	FASTENER GP-CYLINDER HEAD						42
	2	1	187-1315	1	GASKET AS						
Y	3	1	210-5984	1	CYLINDER HEAD GP						32
M	4	1	8C-4984	5	BOLT (M8X1.25X150MM)						
	5	1	9M-1974	5	WASHER-HARD (8.8X16X2MM THK)						

M-METRIC PART  
Y-SEPARATE ILLUSTRATION



GRAPHIC #1

g00827534

# BASIC ENGINE

## 211-2179 DAMPER & PULLEY GP

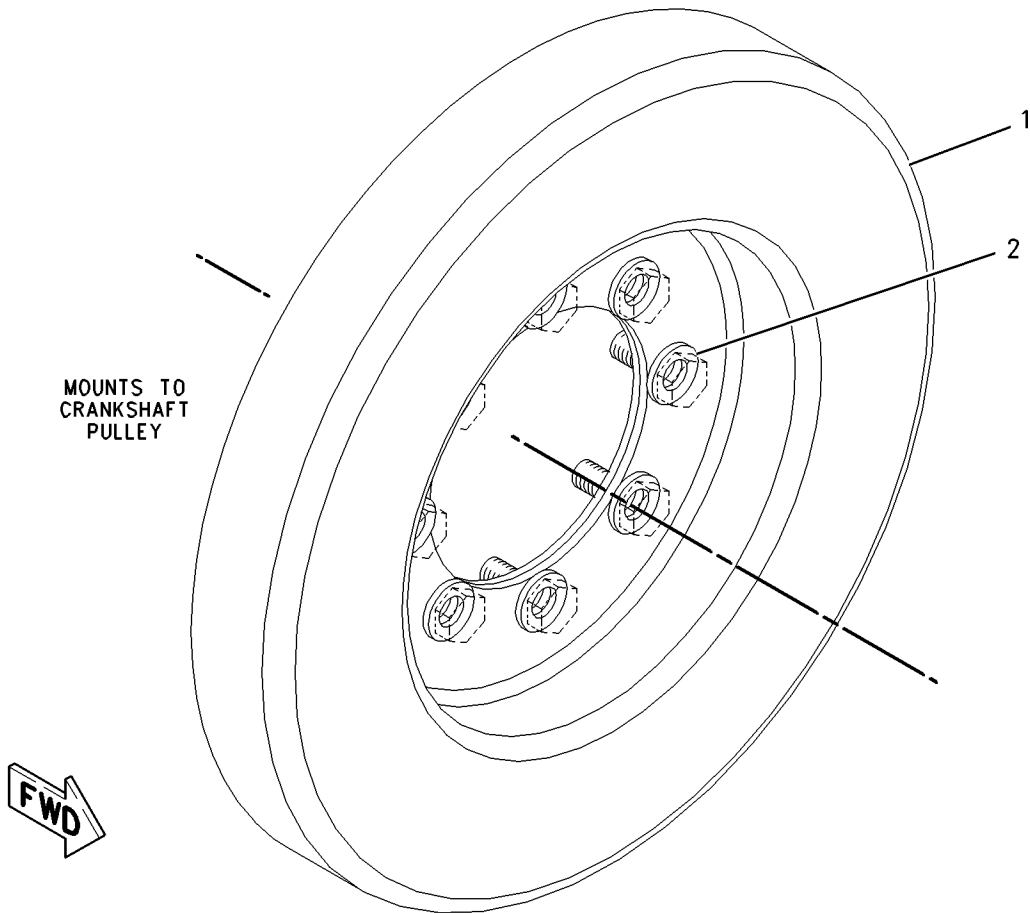
S/N: 4ZF1-UP

PART OF 166-0273, 169-3791, 176-5509, 176-9269 ENGINE AR  
ALSO AN ATTACHMENT

SMCS-1205

i01644415

NOTE	REF NO	GRAPHIC REF	PART NUMBER	QTY	PART NAME						SEE PAGE
					1	2	3	4	5	6 (PRODUCT LEVEL)	
	1	1	167-8121	1	DAMPER AS						
	2	1	6V-5839	8	WASHER (11X21X2.5MM THK)						



GRAPHIC #1

g00850390

# BASIC ENGINE

## 4P-2102 DRAIN GP-ENGINE OIL

S/N: 4ZF1-UP

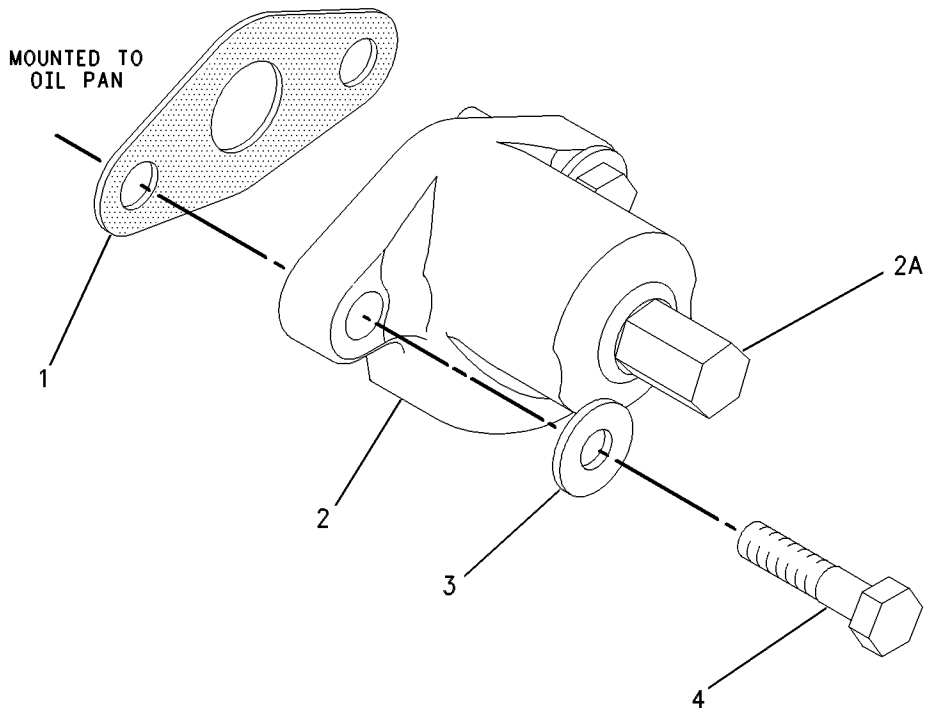
PART OF 166-0273, 169-3791, 176-5509, 176-9269 ENGINE AR  
ALSO AN ATTACHMENT

SMCS-1302

i01434666

NOTE	REF NO	GRAPHIC REF	PART NUMBER	QTY	PART NAME						SEE PAGE
					1	2	3	4	5	6 (PRODUCT LEVEL)	
	1	1	<b>8N-6854</b>	1	GASKET-ADAPTER						
	2	1	<b>113-5336</b>	1	ADAPTER AS-DRAIN						
	2A	1	<b>126-1683</b>	1	PLUG-DRAIN						
		1	<b>8N-6849</b>	1	ADAPTER-PLUG						
	3	1	<b>5P-4116</b>	2	WASHER-HARD (8.8X20.5X2MM THK)						
M	4	1	<b>7X-2537</b>	2	BOLT (M8X1.25X35MM)						

M-METRIC PART



GRAPHIC #1

g00659483

# MEMORANDA

# BASIC ENGINE

## 215-3250 DRIVE GP-FAN

S/N: BLE1-UP; BMJ1-UP

PART OF 215-3251 DRIVE GP-FAN

SMCS-1357, 1358, 1359, 1390

i01645976

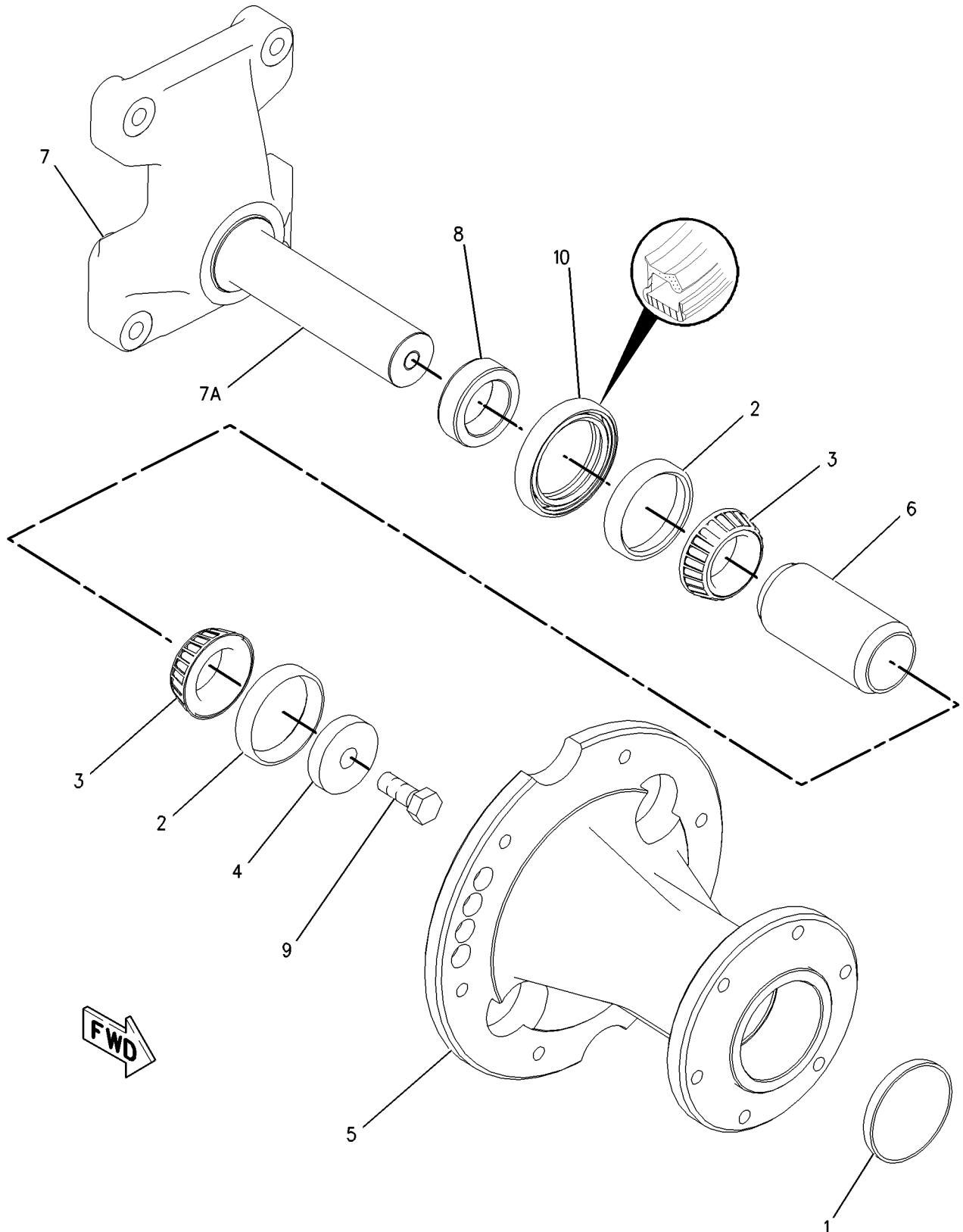
NOTE	REF NO	GRAPHIC REF	PART NUMBER	QTY	PART NAME						SEE PAGE
					1	2	3	4	5	6 (PRODUCT LEVEL)	
	1	1	4B-4098	1	PLUG-CUP						
	2	1	4W-1203	2	CUP-BEARING						
	3	1	4W-1204	2	CONE-BEARING						
	4	1	7C-8634	1	PLATE						
	5	1	212-5839	1	HUB						
	6	1	212-5844	1	SPACER						
	7	1	215-3222	1	BRACKET AS						
	7A	1	215-3220	1	SHAFT						
	8	1	5S-9062	1	SPACER (35.032X50.8X15.88MM THK)						
M	9	1	6V-3668	1	BOLT (M12X1.75X30MM)						
	10	1	6V-9748	1	SEAL-LIP						

M-METRIC PART

# BASIC ENGINE

215-3250 DRIVE GP - FAN (contd.)

i01645976



GRAPHIC #1

g00851257

# BASIC ENGINE

## 215-3251 DRIVE GP-FAN

S/N: BLE1-UP; BMJ1-UP

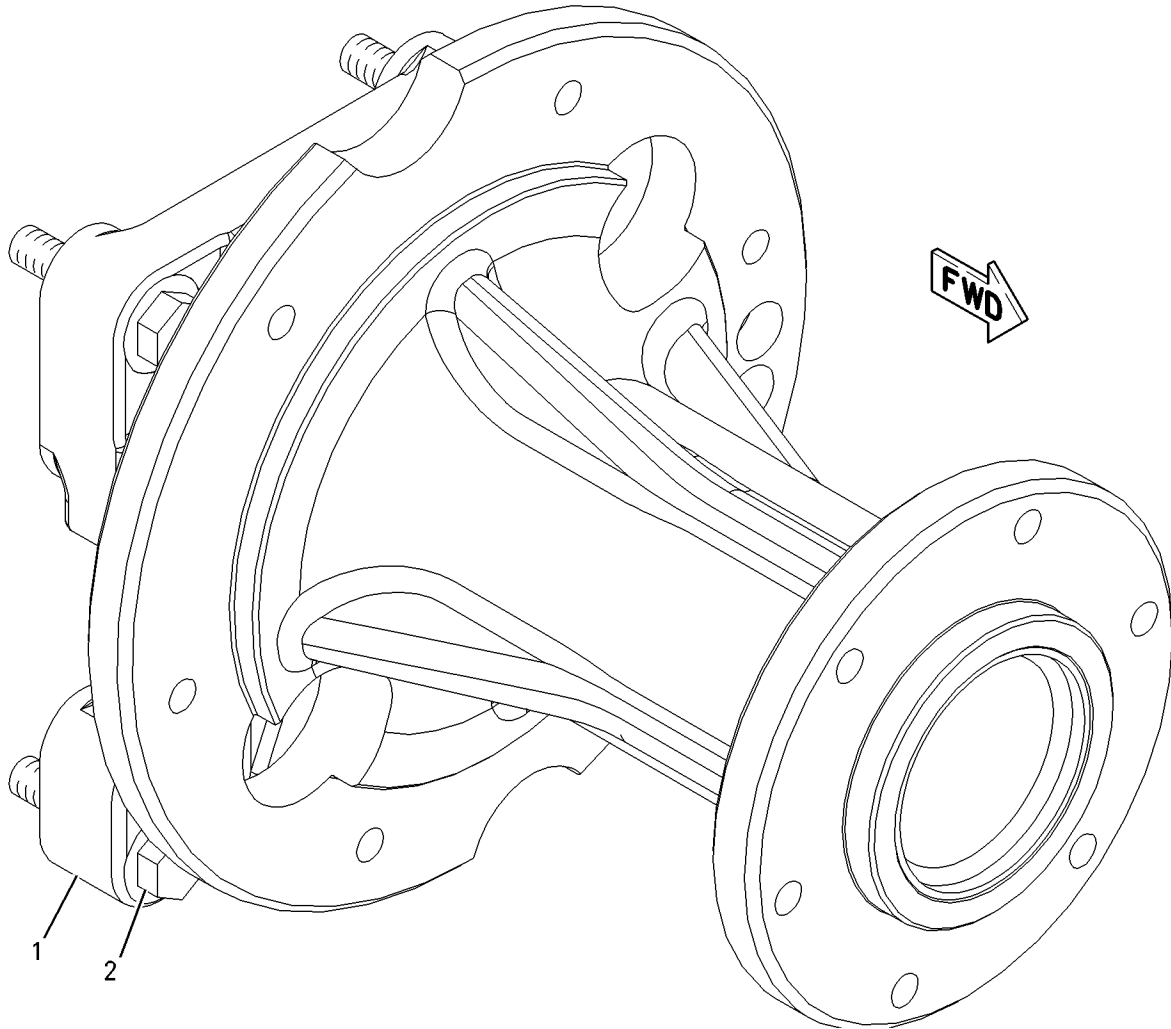
PART OF 168-8371 INSTALLATION AR-ENGINE

SMCS-1357, 1358, 1359, 1390

i01645408

NOTE	REF NO	GRAPHIC REF	PART NUMBER	QTY	PART NAME						SEE PAGE
					1	2	3	4	5	6 (PRODUCT LEVEL)	
Y	1	1	215-3250	1	DRIVE GP-FAN						38
M	2	1	8T-4182	4	BOLT (M10X1.5X45MM)						

M- METRIC PART  
Y- SEPARATE ILLUSTRATION



GRAPHIC #1

g00851243

# BASIC ENGINE

## 210-8550 DRIVE GP-PUMP

S/N: 4ZF1-UP

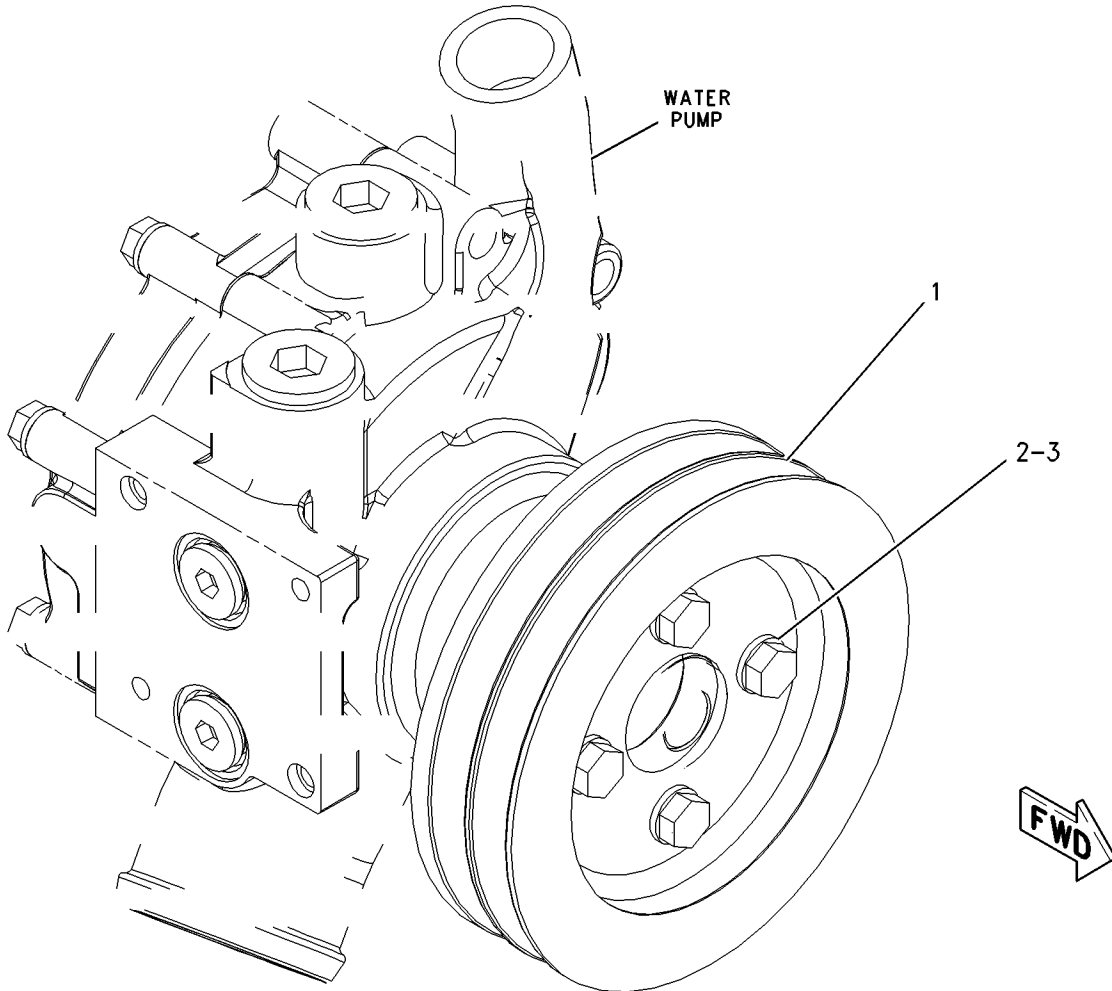
PART OF 166-0273, 169-3791, 176-5509, 176-9269 ENGINE AR  
ALSO AN ATTACHMENT

SMCS-3108

i01644423

NOTE	REF NO	GRAPHIC REF	PART NUMBER	QTY	PART NAME						SEE PAGE
					1	2	3	4	5	6 (PRODUCT LEVEL)	
	1	1	209-3673	1	PULLEY						
M	2	1	6V-2317	4	BOLT (M8X1.25X30MM)						
	3	1	9M-1974	4	WASHER-HARD (8.8X16X2MM THK)						

M-METRIC PART



GRAPHIC #1

g00851103



# BASIC ENGINE

## 167-0171 FASTENER GP - CYLINDER HEAD

S/N: 4ZF1-UP

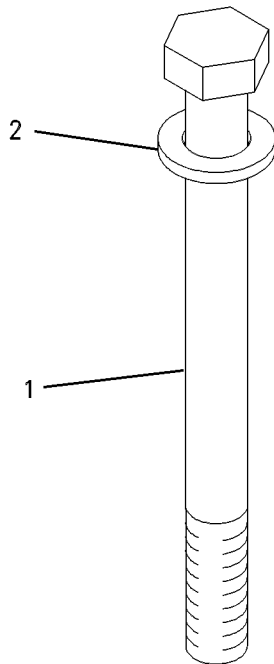
PART OF 210-5987 CYLINDER HEAD GP  
ALSO AN ATTACHMENT

SMCS-1100

i01440854

NOTE	REF NO	GRAPHIC REF	PART NUMBER	QTY	PART NAME						SEE PAGE
					1	2	3	4	5	6 (PRODUCT LEVEL)	
M	1	1	183-5163	1	BOLT						
	2	1	9X-8268	1	WASHER (17.5X30X3.5MM THK)						

M-METRIC PART



GRAPHIC #1

g00626741

# BASIC ENGINE

## 194-5052 FASTENER GP-FRONT HOUSING

S/N: 4ZF1-UP

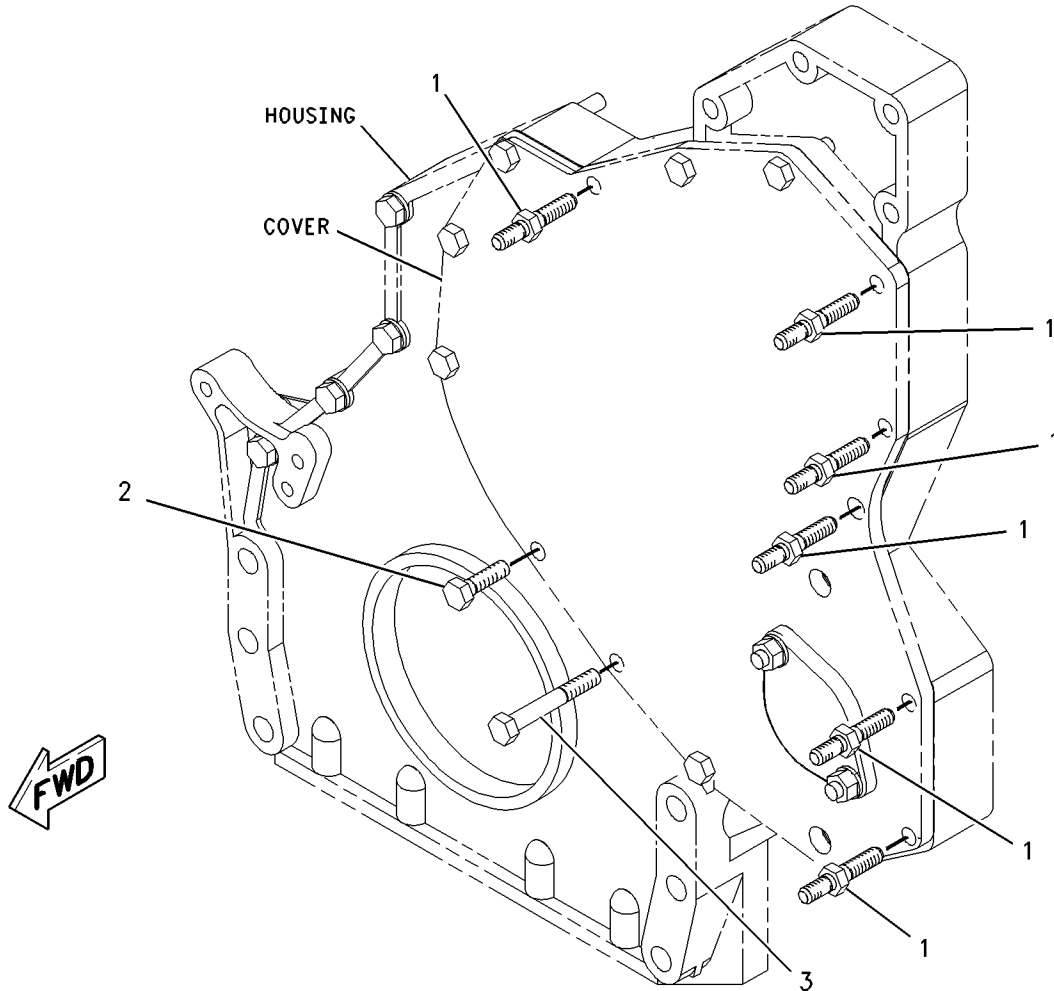
PART OF 166-0273, 169-3791, 176-5509, 176-9269 ENGINE AR  
ALSO AN ATTACHMENT

SMCS-1151

i01645246

NOTE	REF NO	GRAPHIC REF	PART NUMBER	QTY	PART NAME						SEE PAGE	
					1	2	3	4	5	6 (PRODUCT LEVEL)		
M	1	1	9X-2099	6	STUD							
M	2	1	6V-2317	1	BOLT (M8X1.25X30MM)							
M	3	1	8T-0100	1	BOLT (M8X1.25X60MM)							

M-METRIC PART



GRAPHIC #1

g00851572

# BASIC ENGINE

## 198-0921 FITTING GP

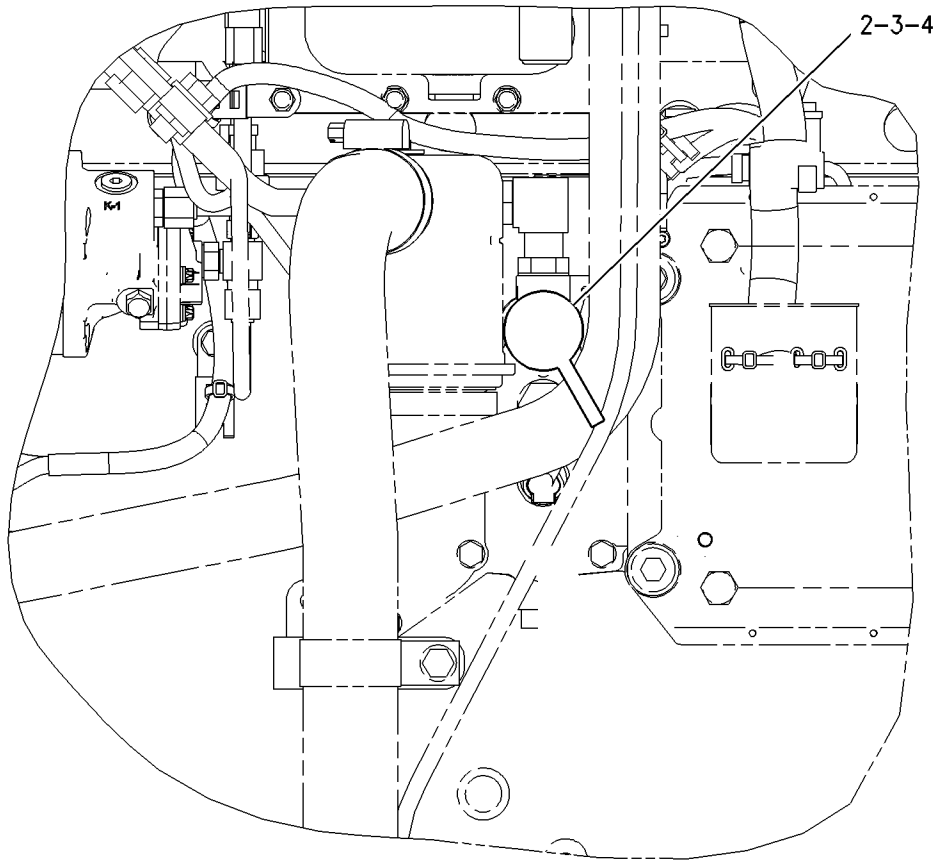
S/N: 4ZF1-UP

PART OF 166-0273, 169-3791, 176-5509, 176-9269 ENGINE AR  
ALSO AN ATTACHMENT

SMCS-1302

i01644577

NOTE	REF NO	GRAPHIC REF	PART NUMBER	QTY	PART NAME						SEE PAGE
					1	2	3	4	5	6 (PRODUCT LEVEL)	
	2	1	6V-0852	1	CAP-DUST						
	3	1	6V-3965	1	FITTING AS						
	4	1	6V-5049	1	SEAL-O-RING						



LEFT SIDE VIEW

GRAPHIC #1

g00852655

# BASIC ENGINE

## 195-4590 FLYWHEEL GP

S/N: 4ZF1-UP

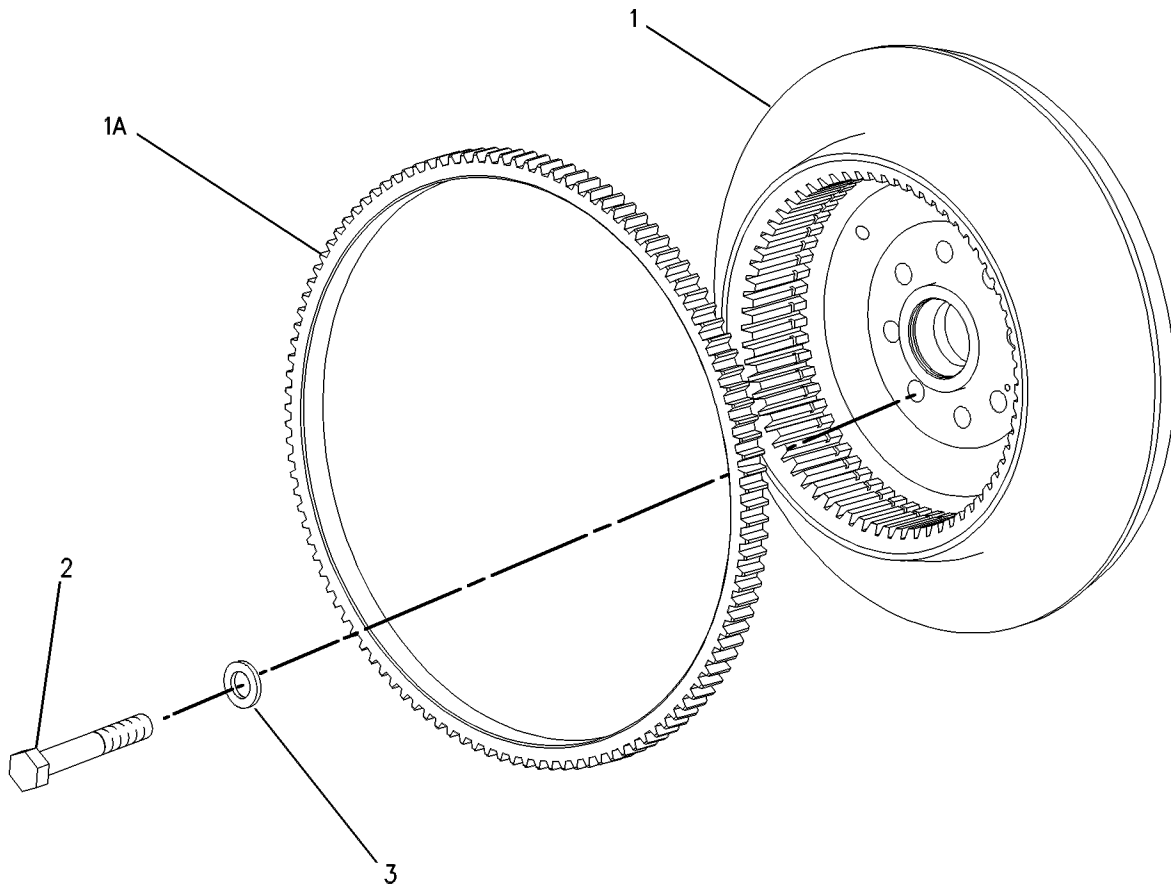
PART OF 166-0273, 169-3791, 176-5509, 176-9269 ENGINE AR  
ALSO AN ATTACHMENT

SMCS-1156, 1158

i01644586

NOTE	REF NO	GRAPHIC REF	PART NUMBER	QTY	PART NAME						SEE PAGE
					1	2	3	4	5	6 (PRODUCT LEVEL)	
	1	1	187-8949	1	FLYWHEEL AS						
	1A	1	4N-2514	1	GEAR (113 TEETH)						
M	2	1	9X-2053	8	BOLT						
	3	1	9X-8268	8	WASHER (17.5X30X3.5MM THK)						

M-METRIC PART



GRAPHIC #1

g00567489

# BASIC ENGINE

## 155-7918 GEAR GP-FRONT

S/N: 4ZF1-UP

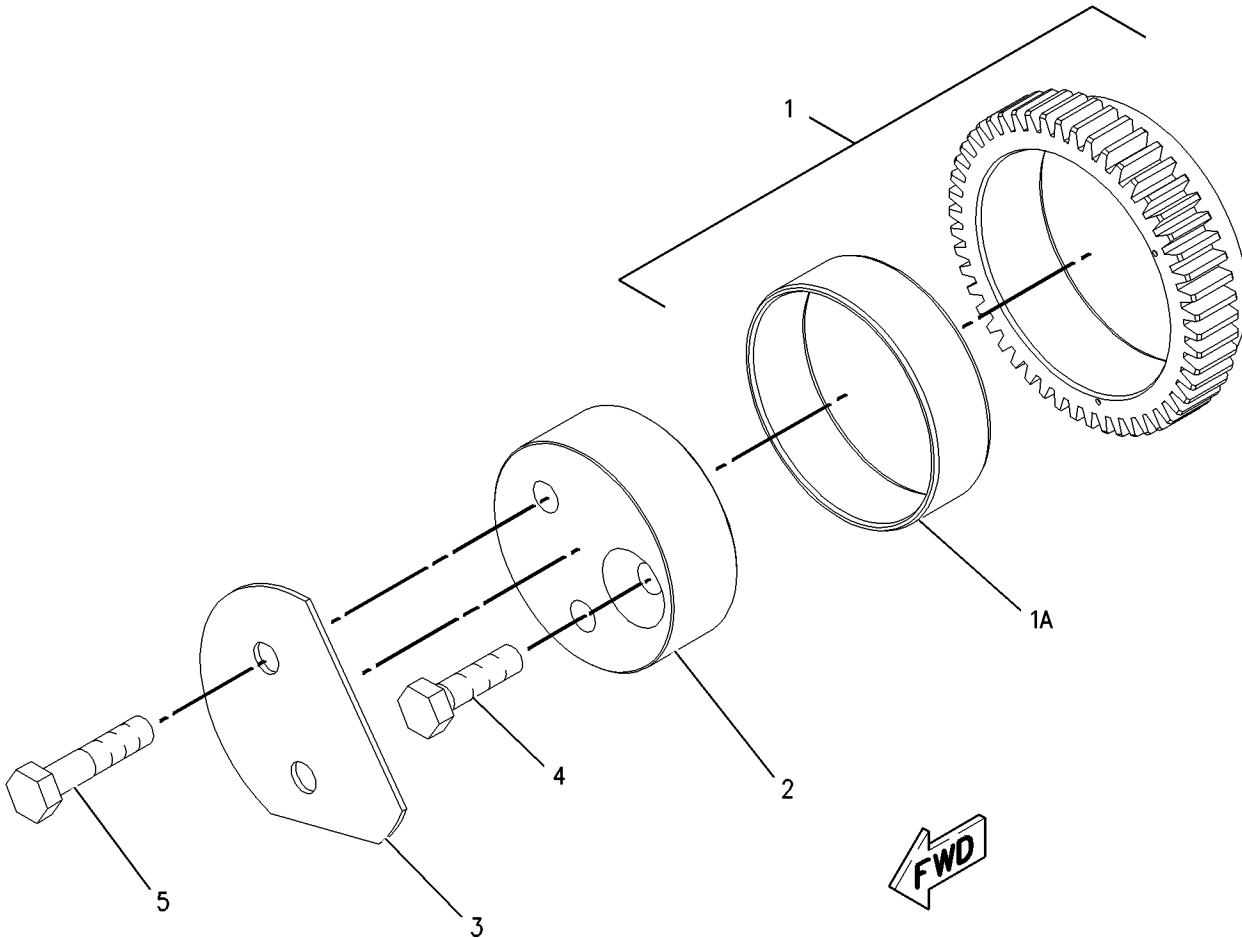
PART OF 166-0270, 169-3788 ENGINE AR-CORE  
ALSO AN ATTACHMENT

SMCS-1206

i01563430

NOTE	REF NO	GRAPHIC REF	PART NUMBER	QTY	PART NAME						SEE PAGE
					1	2	3	4	5	6 (PRODUCT LEVEL)	
	1	1	2W-8476	1	GEAR AS-IDLER (50 TEETH)						
	1A	1	2W-7566	1	BEARING-SLEEVE						
	2	1	101-3207	1	SHAFT-CAM IDLER						
	3	1	101-3208	1	PLATE-RETAINING						
M	4	1	6V-3822	1	BOLT (M10X1.5X35MM)						
M	5	1	6V-5843	2	BOLT (M10X1.50X45MM)						

M-METRIC PART



GRAPHIC #1

g00812995

**BUY NOW**

**Then Instant Download  
the Complete Manual  
Thank you very much!**