

CROWN



Parts Manual

ESR4000 Series

CROWN

TABLE OF CONTENT

Table of Content

ITD – INTRODUCTION	PAGE	SERIAL NR. CUT	REV.
Allgemeines	7		

SECTION 1 – COVERS	PAGE	SERIAL NR. CUT	REV.
Covers	12,14,16		Rev.1 10/02
Reach Carriage	18,20		Rev.1 10/02
Load Wheel	22		
Battery Latch	24		Rev.1 10/02
Battery Reach Out	26,28		
Seat & Pan	30		Rev.1 10/02
Seat	32		
Rear Mirror	34		
Guide Wheels	36		

SECTION 2 – HYDRAULIC PART	PAGE	SERIAL NR. CUT	REV.
Tube-/Hose Layout	40		Rev.1 10/02
Hydraulic Tank	42		Rev.2 10/02
Hydraulic TT Mast	44,46		Rev.1 10/02
Valve Block	48,50		Rev.1 10/02
Reach Manifold	52		
Hydraulic Motor	54		
Pump	56		
Pump Motor and Pump	58		Rev.1 10/02
Pump Motor	60		
Fan	62		

SECTION 3 – DRIVE UNIT	PAGE	SERIAL NR. CUT	REV.
Drive Unit	66,68		Rev.1 10/02
Turntable	70		
Gearbox	72		Rev.1 10/02
Drive Motor	74		
Fan	76		Rev.1 10/02

SECTION 4 – ELECTRICAL	PAGE	SERIAL NR. CUT	REV.
Electrical Compartment	80,82,84		Rev.1 10/02
Contactors	86		
Mast Wiring	88,90		Rev.1 10/02
Switch HGTS Lift Speed Reduction	92		Rev.1 10/02
Height Encoder	94,96		Rev.1 10/02
Joystick and Emergency Disconnect Switch	98		Rev.1 10/02
Direction Switch/Horn Button	100		Rev.1 10/02
Floorplate	102		Rev.1 10/02
Accelerator	104		Rev.1 10/02
Dead Man Pedal	106		Rev.1 10/02
DC/DC Converter	108		
Dash Panel	110		Rev.1 10/02
Display Module	112		Rev.1 10/02
Steer Indicator	114		
Flashing Beacon	116		
Working Light	118,120		
Reverse Alarm	122		

Horn	124	Rev.1 10/02
Cooling System	126	

SECTION5 – BRAKE SYSTEM	PAGE	SERIAL NR. CUT	REV.
Brake Circuit	130		Rev.1 10/02
Foot Brake	132		
Drive Motor Brake	134		
Load Wheel Brake	136		
Brake Cylinder	138		Rev.1 10/02

SECTION 6 – STEERING	PAGE	SERIAL NR. CUT	REV.
Steering Column	142,144,146		Rev.1 10/02

SECTION 7 – MAST-/LIFT STRUCTURE	PAGE	SERIAL NR. CUT	REV.
TT Mast 1.4t/1.6t	150,152		Rev.1 10/02
TT Mast 2.0t	154,156		Rev.1 10/02
Lift Chain TT Mast	158,160		Rev.1 10/02
Tilt/Sideshift	162,164,166		Rev.1 10/02
Tilt/Sideshift-Hydraulic	168,170,172		Rev.2 10/02
Lift Buffer	174		Rev.1 10/02
Fork	176		Rev.1 10/02
Load Backrest	178		
Yoke	180		Rev.1 10/02

SECTION 8 – CYLINDER	PAGE	SERIAL NR. CUT	REV.
Lift Cylinder 1.4t/1.6t	184		
Lift Cylinder 2.0t	186		Rev.1 10/02
Free Lift Cylinder 1.4t/1.6t	188		Rev.1 10/02
Free Lift Cylinder 2.0t	190		Rev.1 10/02
Cylinder Reach	192		Rev.1 10/02

SECTION10 – MISCELLANEOUS SERVICE INF.	PAGE	SERIAL NR. CUT	REV.
Labels and Decals	196		

CROWN

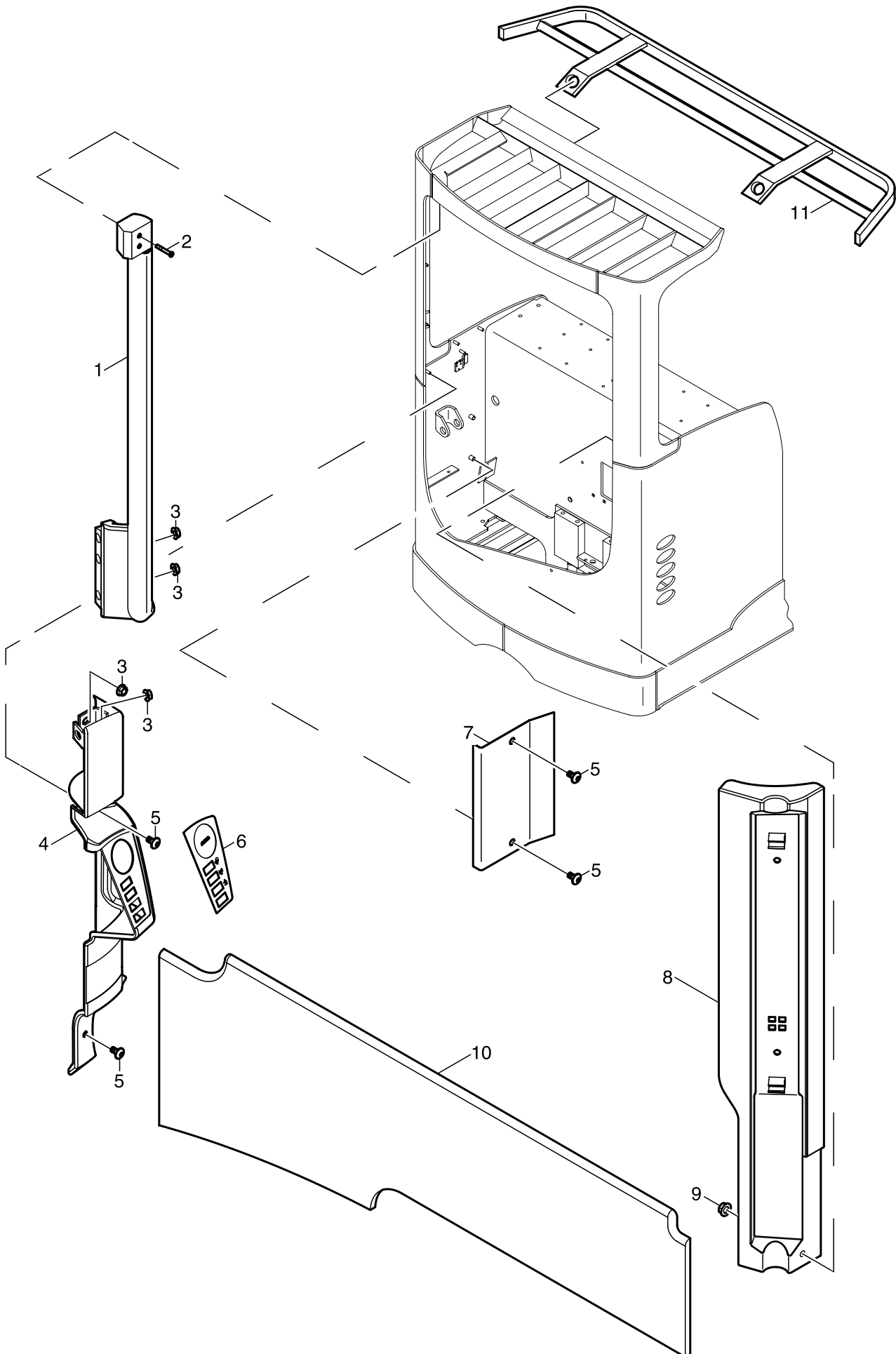
INTRODUCTION

CROWN

PARTS

CROWN

SECTION 1



M1576

INDEX	PART NUMBER	PART NAME	NUMBER REQUIRED
1	791764-003	Grab Handle	1
2	050067-023	Screw	1
3	050068-003	Nut	4
4	806686	Corner Cover	1
5	050071-035	Screw	4
	807053-002	Clip	4
6	807089	Display Overlay	1
7	807459	Hose Cover	1
8	807352	Headrest Pad	1
	050004-020	Screw	4
9	050068-004	Nut	1
10	806931	Leg Pad	1
	053050-012	Adhesive Tape	AR
11	796328	Overhead Guard	1
	050067-053	Screw	2
	050068-006	Nut	2

Always Specify Model & Serial Number

BUY NOW

**Then Instant Download
the Complete Manual
Thank you very much!**