

**CROWN**

ESR

# Parts Manual



**ESR4500** Series



# ***TABLE OF CONTENTS***

---

## Table of Content

<b>ITD – INTRODUCTION</b>	<b>PAGE</b>	<b>SERIAL NR. CUT</b>	<b>REV.</b>
General .....	7		
<b>SECTION 1 – COVERS</b>	<b>PAGE</b>	<b>SERIAL NR. CUT</b>	<b>REV.</b>
Covers .....	12, 14		02 Rev. 11/05
Covers .....	16	5A204796	01 Rev. 05/05
Covers .....	16A	5A204798	02 Rev. 11/05
Skid Block and Wear Strips .....	18	5A204488	
Skid Block and Wear Strips .....	18A	5A204490	01 Rev. 11/05
Reach Carriage .....	20		01 Rev. 05/05
Load Wheel .....	22		01 Rev. 11/05
Battery Lock .....	24		01 Rev. 05/05
Battery Reach Out .....	26	5A203866	
Battery Reach Out .....	26A	5A203868	02 Rev. 11/05
Seat & Pan .....	28		01 Rev. 05/05
Seat .....	30	5A203880	
Seat .....	30A	5A203882	01 Rev. 05/05
Rear Mirror .....	32		
Guide Wheels .....	34		
Overhead Guard .....	36		01 Rev. 05/05
Accessories .....	38		02 Rev. 11/05
<b>SECTION 2 – HYDRAULIC PART</b>	<b>PAGE</b>	<b>SERIAL NR. CUT</b>	<b>REV.</b>
Tube-/Hose Layout .....	42		02 Rev. 11/05
Hydraulic Tank .....	44		01 Rev. 05/05
Hydraulic TT Mast .....	46, 48	5A203818	
Hydraulic TT Mast .....	46A	5A203820	01 Rev. 05/05
Valve Block .....	50		
Pump .....	52		
Pump Motor and Pump .....	54		01 Rev. 05/05
Pump Motor .....	56		01 Rev. 05/05
<b>SECTION 3 – DRIVE UNIT</b>	<b>PAGE</b>	<b>SERIAL NR. CUT</b>	<b>REV.</b>
Drive Unit .....	60	5A204000	
Drive Unit .....	60A	5A204002	01 Rev. 05/05
Drive Unit .....	60B	5A204798	02 Rev. 11/05
Gearbox .....	62	5A204796	
Gearbox .....	62A	5A204798	01 Rev. 11/05
Drive Motor .....	64		01 Rev. 05/05
<b>SECTION 4 – ELECTRICAL</b>	<b>PAGE</b>	<b>SERIAL NR. CUT</b>	<b>REV.</b>
Electrical Compartment .....	68, 70	5A204796	01 Rev. 05/05
Electrical Compartment .....	68A, 70A	5A204798	02 Rev. 11/05
Contactor .....	72		
Reach Slowdown .....	74		
HGTS Lift Speed Reduction .....	76	5A203818	
HGTS Lift Speed Reduction .....	76A	5A203820	01 Rev. 05/05
Height Encoder .....	78	5A203818	
Height Encoder .....	78A	5A203820	02 Rev. 11/05
Mast Wiring .....	80, 82		01 Rev. 05/05
Joystick and Emergency Disconnect Switch .....	84	5A204796	01 Rev. 05/05
Joystick and Emergency Disconnect Switch .....	84A, 86A	5A204798	02 Rev. 11/05
Direction Switch/Horn Button .....	88	5A204796	
Direction Switch/Horn Button .....	88A	5A204798	01 Rev. 11/05
Floorplate .....	90		
Accelerator .....	92		01 Rev. 05/05

Interrupteur de sécurité .....	94 .....	01 Rev. 05/05
DC/DC Redresseur .....	96 .....	01 Rev. 05/05
Tableau de commande .....	98 .....	01 Rev. 05/05
Tableau d'affichage .....	100 .....	5A204796 ..... 01 Rev. 05/05
Tableau d'affichage .....	100A .....	5A204798 ..... 02 Rev. 11/05
Lamp d'avertissement .....	102 .....	01 Rev. 11/05
Pares de marche .....	104 .....	01 Rev. 05/05
Pares de travail .....	106	
Signal sonore de marche-arrière .....	108 .....	01 Rev. 05/05
Connexion et partie de fixation .....	110	
Klaxon .....	112	
System de refroidir .....	114 .....	02 Rev. 11/05

## CHAPITRE 5 – SYSTEME DE FREINAGE PAGE COUPURE NR. SÉRIE REV.

Circuit de freinage .....	118	
Pédale de frein .....	120	
Frein moteur .....	122	
Frein roues porteuses .....	124	

## CHAPITRE 6 – DIRECTION PAGE COUPURE NR. SÉRIE REV.

Moteur de direction .....	128 .....	5A204796
Moteur de direction .....	128A .....	5A204798 ..... 01 Rev. 11/05
Colonne de direction .....	130 .....	01 Rev. 05/05

## CHAPITRE 7 – MÂT PAGE COUPURE NR. SÉRIE REV.

Mât TT 1.4t/1.6t .....	134, 136 .....	5A203818
Mât TT 1.4t/1.6t .....	134A, 136A .....	5A203820 ..... 01 Rev. 05/05
Mât TT 2.0t .....	138, 140 .....	5A203818
Mât TT 2.0t .....	138A, 140A .....	5A203820 ..... 01 Rev. 05/05
Chaîne de levage mât TT .....	142, 144	
Inclinaison/déplacement latéral.....	146, 148	
Inclinaison/déplacement latéral-hydraulique .....	150, 152, 154 .....	02 Rev. 11/05
Arrotissement de levée .....	156 .....	01 Rev. 05/05
Dent de fourche .....	158 .....	01 Rev. 05/05
Butée de charge .....	160	
Poules de guidage .....	162	

## CHAPITRE 8 – VÉRINS PAGE COUPURE NR. SÉRIE REV.

Vérin de levée 1.4t/1.6t .....	166 .....	5A203818
Vérin de levée 1.4t/1.6t .....	166A .....	5A203820 ..... 01 Rev. 05/05
Vérin de levée 2.0t.....	168 .....	5A203818
Vérin de levée 2.0t.....	168A .....	5A203820 ..... 01 Rev. 05/05
Vérin de levée libre 1.4t/1.6t.....	170	
Vérin de levée libre 2.0t.....	172	
Vérin de rétraction .....	174	

## CHAPITRE 9 – CABIN/PLATE - FORME PAGE COUPURE NR. SÉRIE REV.

Cabine chambres froides .....	178 .....	02 Rev. 02/06
-------------------------------	-----------	---------------

## CHAPITRE 10 – AUTRES INFORMATIONS SPAGE COUPURE NR. SÉRIE REV.

Autocolants et étiquettes .....	182 .....	02 Rev. 11/05
---------------------------------	-----------	---------------

**CROWN**



# ***INTRODUCTION***

---

**CROWN**



***PARTS***

---

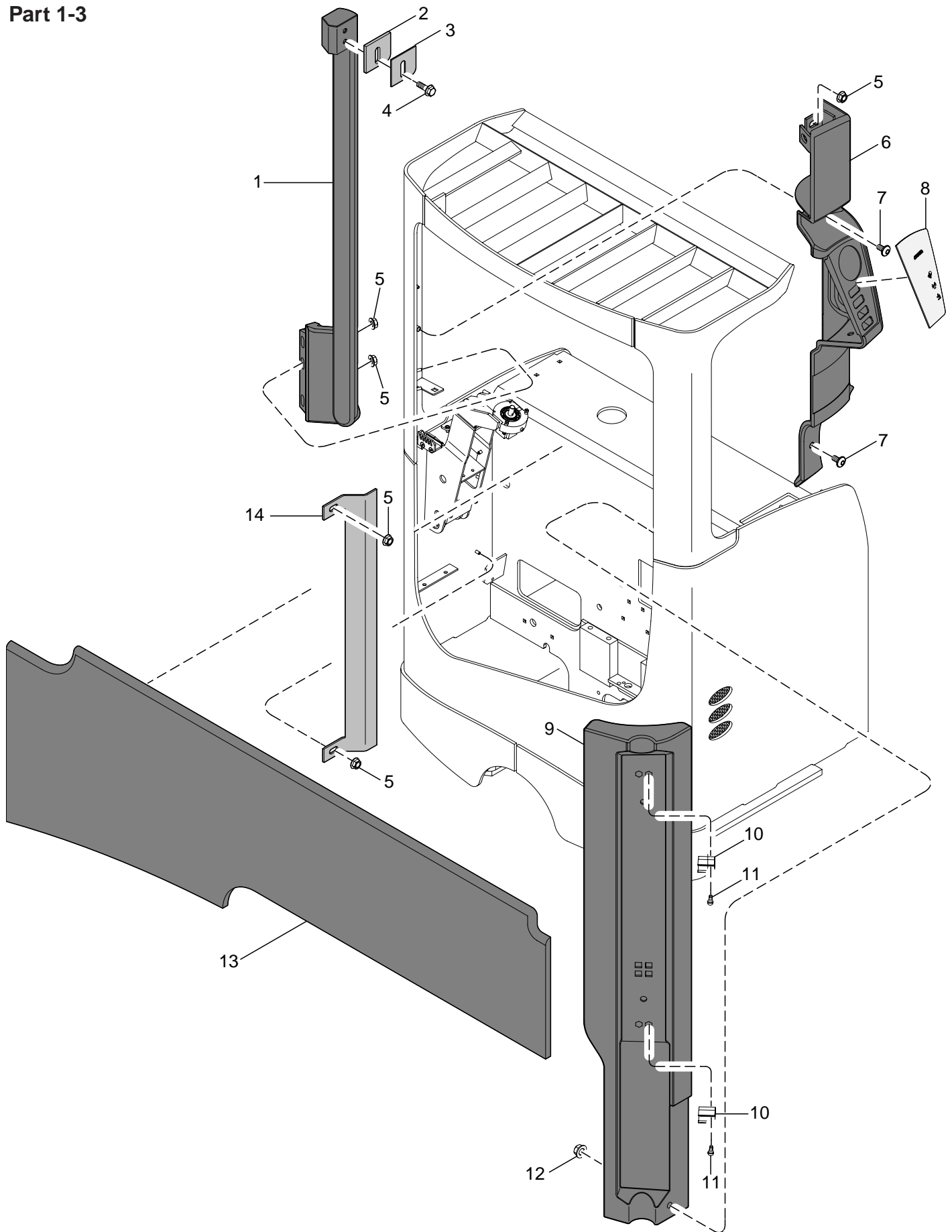
**CROWN**



# ***SECTION 1***

---

## Part 1-3



MP-2140-063



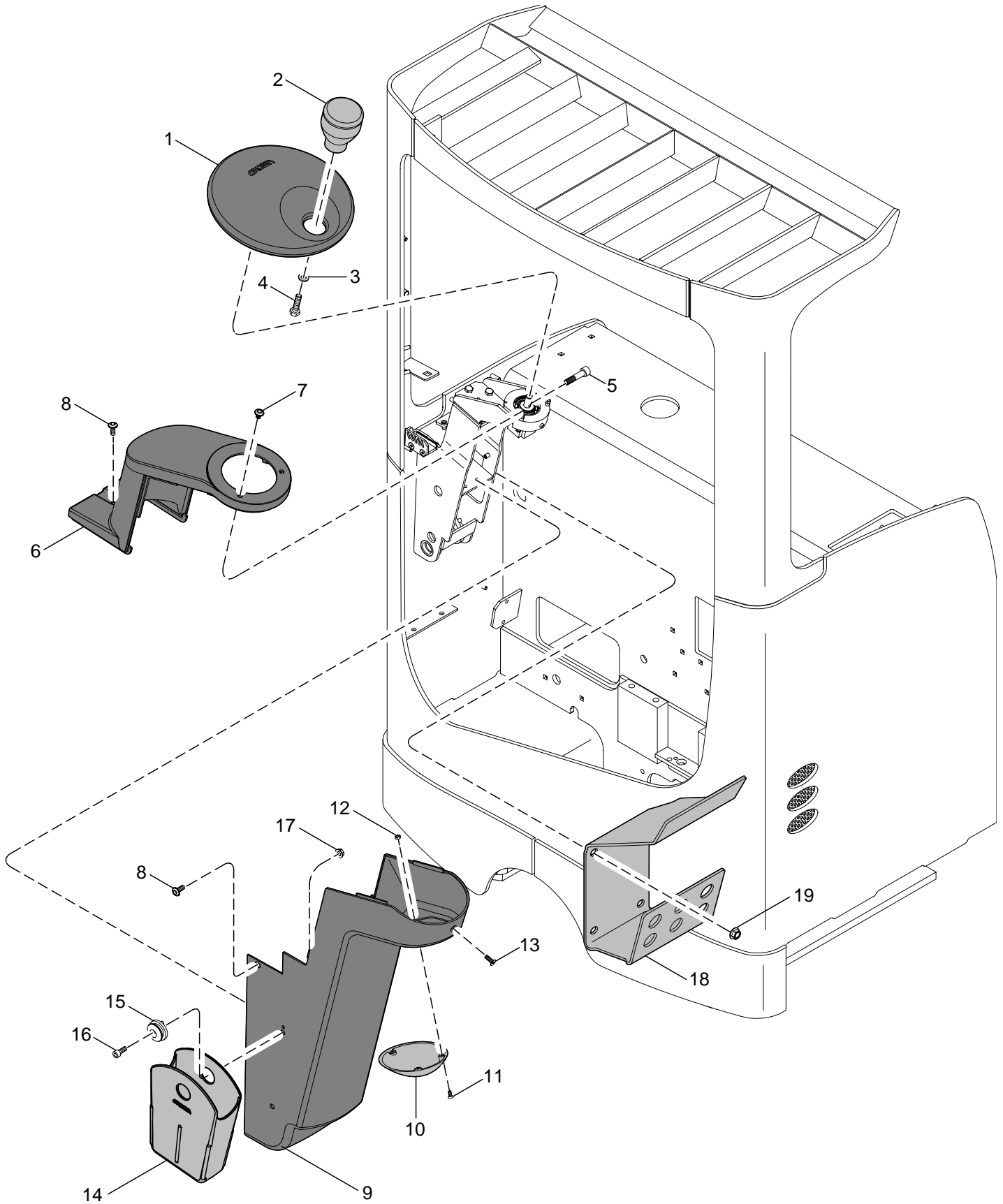
INDEX	PART NUMBER	PART NAME	NUMBER REQUIRED
1	791764-003	Grab Handle	1
2	813005-001	Spacer (5mm)	1
3	813005-002	Spacer (2mm)	1
4	050067-024	Screw	1
5	050068-003	Nut	6
6	806686-002	Corner Cover	1
7	050071-035	Screw	2
8	815013	Display Overlay	1
	807053-002	Insert	2
	796164	Display Overlay (Drive in Racking)	1
9*	806687	Head Rest	1
10*	051068-003	Clip	2
11*	050004-020	Screw	4
12	050068-004	Nut	1
13	806931	Leg Pad	1
	053050-012	Adhesive Tape	AR
14	812363	Harness Cover	1
*	807352	Head Rest Assembly (included 9 - 11)	1

**Not illustrated**

796166	Switch Cover (Drive in Racking)	2
050071-012	Screw (Drive in Racking)	4
796708	Headrest (Drive in Racking)	1

Always Specify Model & Serial Number  
To select part number, refer to truck data number.  
See Section ITD

## Part 2-3



MP-2140-064

INDEX	PART NUMBER	PART NAME	NUMBER REQUIRED
1	815040	Steering Wheel	1
2	118917	Spinner knob	1
3	050010-021	Washer	1
4	060016-019	Screw	1
5	050005-028	Screw	1
6	812138	Steering Column Cover	1
7	050071-019	Screw	2
8	050071-020	Screw	4
9	812125	Steering Column Cover	1
10	812127	Cover	1
11	050003-010	Screw	3
12	050008-001	Nut	3
13	050003-014	Screw	1
14	125502	Pocket Storage	1
15	125503	Mount Pocket	1
16	050005-060	Screw	2
17	050068-002	Nut	2
18	812364	Tray	1
19	050068-003	Nut	4

Always Specify Model & Serial Number  
 To select part number, refer to truck data number.  
 See Section ITD

**BUY NOW**

**Then Instant Download  
the Complete Manual  
Thank you very much!**