

TABLE OF CONTENTS



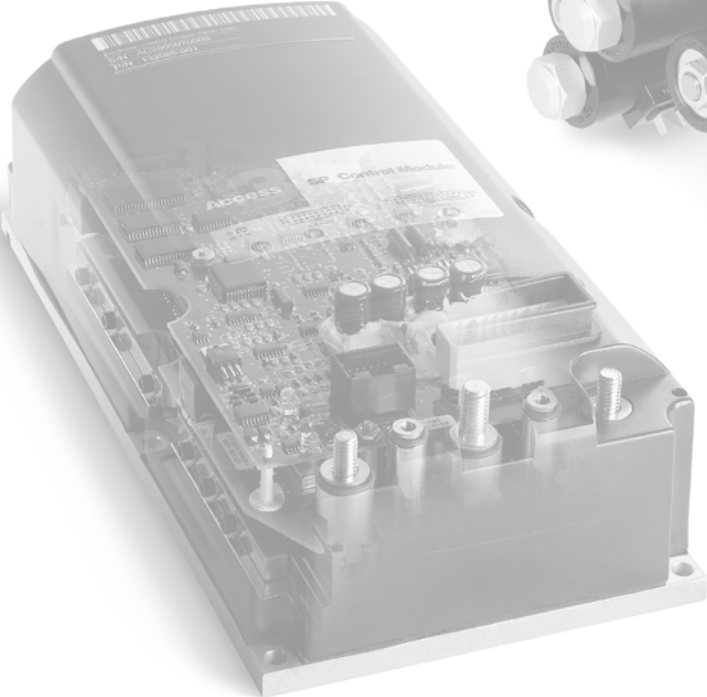
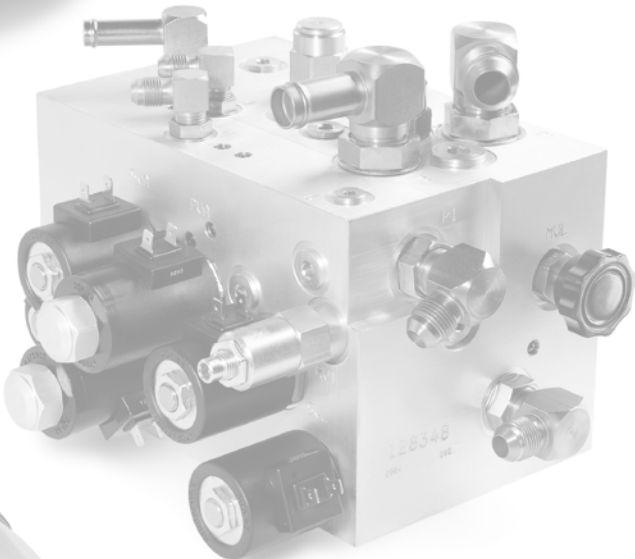
TABLE OF CONTENTS

INTRODUCTION	PAGE	SERIAL NO. CUT	REV.
Important customer information	3		
Subsequent Attachments and Modifications made to the Truck	3		
Ordering Spare Parts	3		
Using the Manual	3		
Models	4		
COVERS	PAGE	SERIAL NO. CUT	REV.
Covers Part 1 - 4	6		
Covers Part 2 - 4	8		
Covers Part 2 - 4	10		
Covers Part 3 - 4	12		
Covers Part 4 - 4	14		
Retractable Step	16		
Battery Compartment	18		
Caster Assembly	20		
Load Wheel	22		
Load Wheel GPC 3045	24		
Load Wheel GPC 3055	26		
HYDRAULIC SYSTEM	PAGE	SERIAL NO. CUT	REV.
Tube and Hose Layout GPC 3020 / GPC 3040 / GPC 3060 ..	30		
Tube and Hose Layout GPC 3045 / GPC 3055	32		
Tube and Hose Layout mit Plattformhub	34		
Pump Motor and Pump GPC 3020 / GPC 3040	36		
Pump Motor and Pump GPC 3045 / GPC 3055 / GPC 3060 ..	38		
Pump Motor and Pump with Platform	40		
DRIVE UNIT	PAGE	SERIAL NO. CUT	REV.
Drive Unit up to Serial No.	44	5A404045	
Drive Unit from Serial No.	46	5A404046	
Gear Unit up to Serial No.	48	5A404045	
Gear Unit from Serial No.	50	5A404046	
Drive Motor	52		
ELECTRICAL SYSTEM	PAGE	SERIAL NO. CUT	REV.
Connector Housing and Connectors	56		
Electrics Part 1 - 2	58		
Electrics Part 2 - 2	60		
Contactors	62		
Control Handle Part 1 - 3	64		
Control Handle Part 2 - 3	66		
Control Handle Part 3 - 3	68		
Switch, PPCS	70		
Switch, PPCS / Switch, Lift and Lower	72		
Switch, Platform	74		
Position Switch GPC 3055	76		
Emergency Disconnect & Battery Connector	78		
Dashboard	80		

TABLE OF CONTENTS



	PAGE	SERIAL NO. CUT	REV.
BRAKE SYSTEM			
Brake	84		
STEERING	PAGE	SERIAL NO. CUT	REV.
Steer Unit	88		
LIFTING MECHANISM	PAGE	SERIAL NO. CUT	REV.
Mast GPC 3045 / GPC 3055	92		
Lifting Mechanism GPC 3020 / GPC 3040 / GPC 3060	94		
Lifting Mechanism GPC 3020 / GPC 3040 / GPC 3060	96		
Lifting Mechanism GPC 3055	98		
Fork Carriage GPC 3020 / GPC 3040 / GPC 3060	100		
Fork Carriage GPC 3020 / GPC 3040 / GPC 3060	102		
Fork Carriage GPC 3020 / GPC 3040 / GPC 3060	104		
Fork Carriage GPC 3020 / GPC 3040 / GPC 3060	106		
Fork Carriage GPC 3020 / GPC 3040 / GPC 3060	108		
Fork Carriage GPC 3045	110		
Fork Carriage GPC 3060	112		
Gas Pressure Spring GPC 3020 / GPC 3040 / GPC 3060 ..	114		
Load Backrest GPC 3040 / GPC 3060	116		
Load Backrest Hand Guard GPC 3040 / GPC 3060	118		
Load Backrest Hand Guard GPC 3040 / GPC 3060	120		
Load Backrest GPC 3045	122		
Load Backrest GPC 3055	124		
Pulley GPC 3045	126		
Pulley GPC 3055	128		
CYLINDERS	PAGE	SERIAL NO. CUT	REV.
Lift Cylinder GPC 3020 / GPC 3040 / GPC 3060 Part 1 -2 ...	132		
Lift Cylinder GPC 3020 / GPC 3040 / GPC 3060 Part 2 -2 ...	134		
Lift Cylinder GPC 3045	136		
Lift Cylinder GPC 3055	138		
Platform Cylinder	140		
PLATFORM	PAGE	SERIAL NO. CUT	REV.
Floor Assembly	144		
Knee and Back Padding	146		
Side Pocket and Handle, Backrest	148		
Covers GPC 3045 / GPC 3055	150		
Grab Handle, Backrest	152		
Platform. Part 1 - 3	154		
Platform. Part 2 - 3	156		
Platform. Part 3 - 3	158		
MISCELLANEOUS	PAGE	SERIAL NO. CUT	REV.
Labels and Decals	162		



INTRODUCTION



Important customer information

To ensure the safety of the truck, you, the customer, must only carry out maintenance and repairs as stipulated in the operator manual.

Any additional work must be performed by Crown authorised service technicians. Authorised service technicians have the required expertise and up-to-date service information.

If you wish to have your own technicians trained, please contact Crown for relevant training courses.

Subsequent Attachments and Modifications made to the Truck



DANGER

Any proposed modification which would alter the original condition of the truck when delivered, must first be assessed and approved in writing by Crown Gabelstapler GmbH.

- *The net weight and position of attachments may considerably affect the capacity and other truck characteristics.*
- *Changing the electrical system or adding electrically operated components may result in operating faults.*

Modifications which have not been assessed may result in fatal accidents!

Ordering Spare Parts

The maintenance manual does not cover spare parts. These are listed in a separate parts manual.

Spare parts can be ordered by quoting:

- The truck specification number
- The truck model number

The truck serial number This information can be found on the truck's data plate. Only if this information is provided can the order be processed quickly, correctly and reliably.

Please refer to the Technical Specifications Sheet for the utilisable loads, technical data and dimensions for

this series. Brochures can be obtained from your CROWN dealer or from the following address:

CROWN Gabelstapler GmbH & Co.KG
 Moosacher Str. 52
 80809 Munich
 GERMANY

Tel.: +49 (0)89 / 93 002 -0
 Fax: +49 (0)89 / 93 002 -175 or133

Using the Manual

The manual is divided into chapters. The following table shows how the manual is structured.

Manual Structure	
Chapter	Content
ITD	Introduction
1	Covers
2	Hydraulic System
3	Drive Unit
4	Electrical System
5	Brake System
6	Steering
7	Lifting Mechanism
8	Cylinders
9	Platform
10	Miscellaneous

Models

Describes the following models:

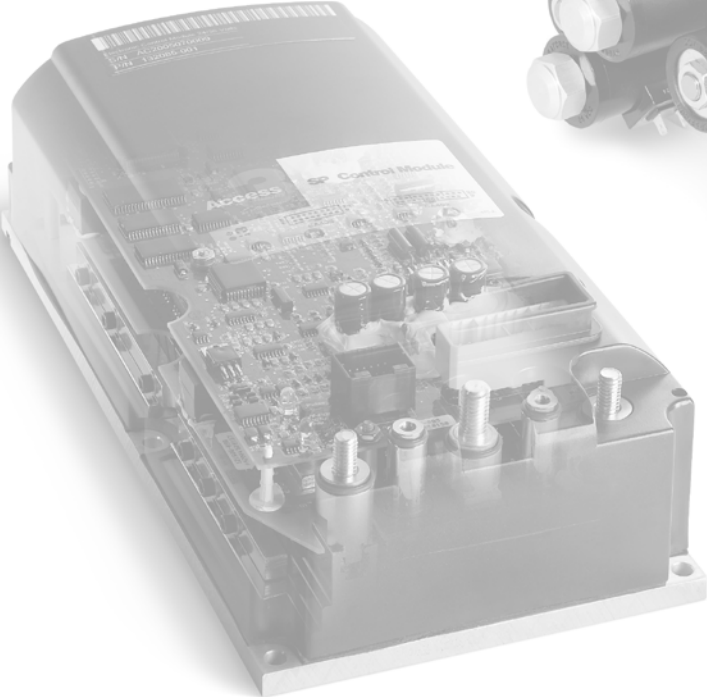
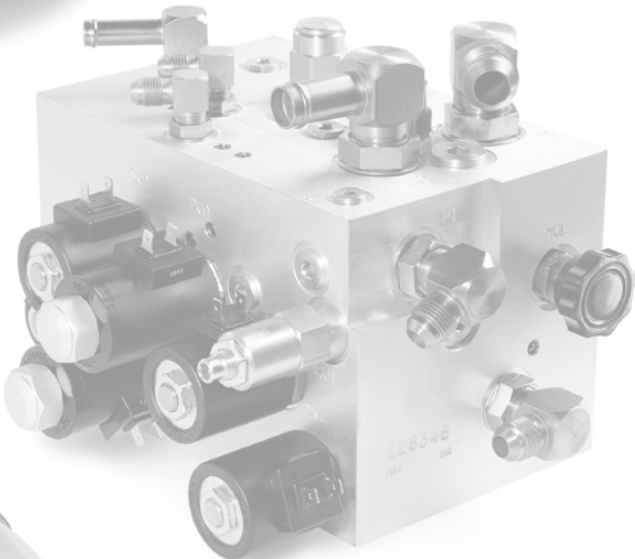
GPC 3020

GPC 3040

GPC 3045

GPC 3055

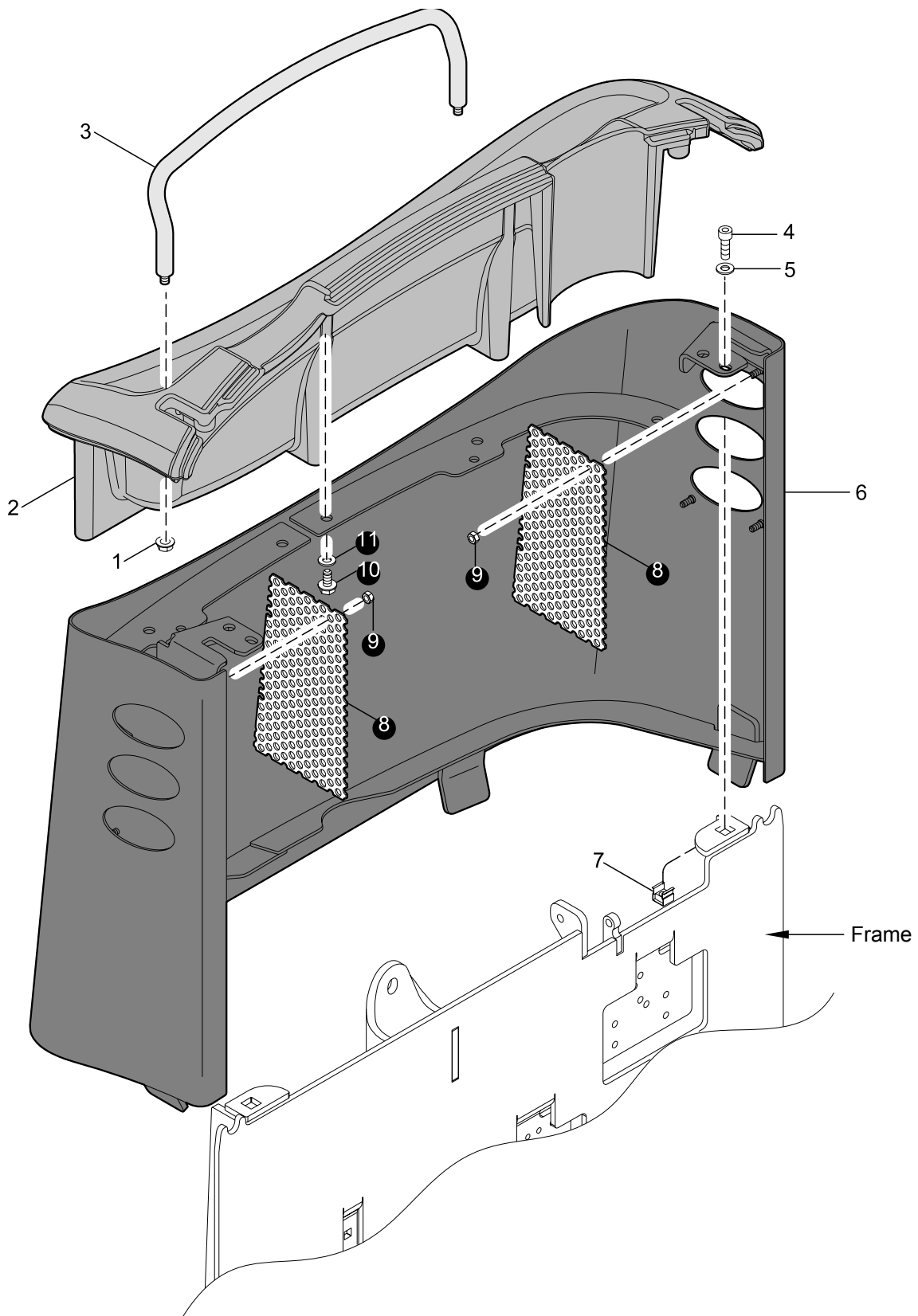
GPC 3060



COVERS

COVERS

Covers Part 1 - 4



GPC001

GPC 3000



COVERS

Covers Part 1 - 4

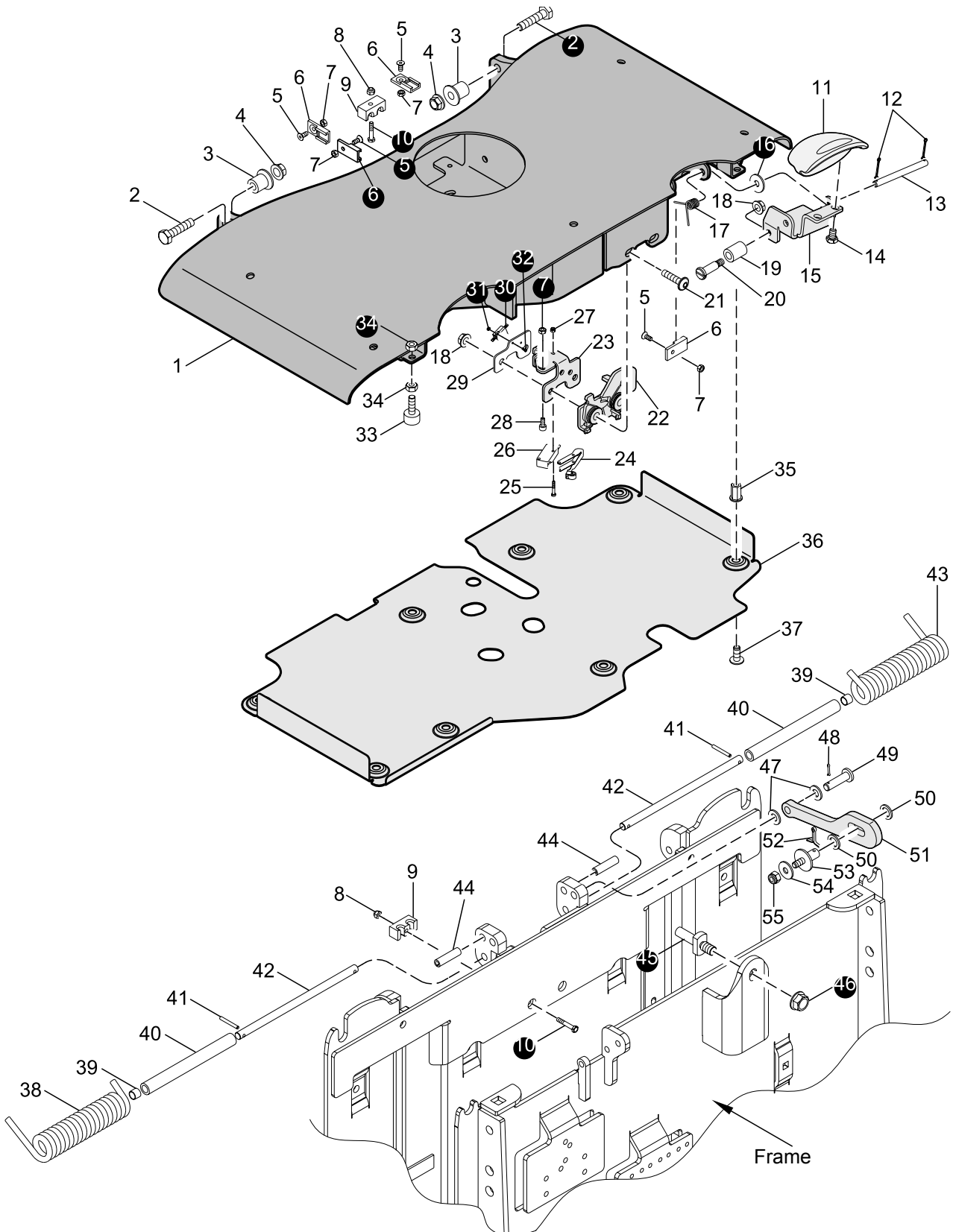
INDEX	PART NUMBER	PART NAME	NUMBER REQUIRED
1	050068-003	Nut	2
2	818398	Cover	1
	055053-004	Dummy Plug (3020 only)	2
3	818648	Bracket	1
4	050005-024	Screw	2
5	050009-018	Washer	2
6	818377-001	Cover	1
7	804863-007	Speed Nut	2
8	818390	Screen	2
9	050008-015	Nut	8
10	050067-022	Screw	8
11	050009-018	Washer	8
	818387-001	Covers (complete/including 1 - 3, 6, 8 - 11)	1
	818387-002	Covers (3020/complete/including 2, 6, 8 - 11)	1

* To select appropriate part number, refer to truck data number.
The truck data number represents truck features.
Refer to Introduction.

Always Specify Model, Data & Serial Number

COVERS

Covers Part 2 - 4



GPC003

GPC 3000

BUY NOW

**Then Instant Download
the Complete Manual.**

Thank you very much!

Have questions.

Please write to me.

aservicemanuapdf@yahoo.com