

CROWN



Parts Manual

LP3010/3020 Series



TABLE OF CONTENT

Table of Content

ITD – INTRODUCTION	PAGE	SERIAL NR. CUT	REV.
General	7		
SECTION 1 – COVERS	PAGE	SERIAL NR. CUT	REV.
Covers	12		
Guide Wheels	14		
SECTION 2 – HYDRAULIC PART	PAGE	SERIAL NR. CUT	REV.
Tube-/Hose Layout	18,20,22		
Valve Bloc	24,26		
Pump Motor and Pump	28		
SECTION 3 – DRIVE UNIT	PAGE	SERIAL NR. CUT	REV.
Gearbox	32		
Drive Motor	34		
SECTION 4 – ELECTRICAL	PAGE	SERIAL NR. CUT	REV.
Electrical Parts	38,40,42,44,46,48,50		
Instrument	52,54		
SECTION 6 – STEERING	PAGE	SERIAL NR. CUT	REV.
Steering Motor	58		
Steering	60,62		
SECTION 7 – MAST/LIFT STRUCTURE	PAGE	SERIAL NR. CUT	REV.
Fork Carriage	66		
Yoke	68		
SECTION 8 – CYLINDER	PAGE	SERIAL NR. CUT	REV.
Lift Cylinder	72,74		
SECTION 9 – CABIN/PLATFORM	PAGE	SERIAL NR. CUT	REV.
Platform	78,80,82		



INTRODUCTION

Important customer information

To ensure the safety of the truck, you, the customer, must only carry out maintenance and repairs as stipulated in the operator manual.

Any additional work must be performed by Crown authorised service technicians. Authorised service technicians have the required expertise and up-to-date service information.

If you wish to have your own technicians trained, please contact Crown for relevant training courses.

Subsequent Attachments and Modifications made to the Truck

DANGER!



Any proposed modification which would alter the original condition of the truck when delivered, must first be assessed and approved in writing by Crown Gabelstapler GmbH.

- *The net weight and position of attachments may considerably affect the capacity and other truck characteristics.*
- *Changing the electrical system or adding electrically operated components may result in operating faults.*

Modifications which have not been assessed may result in fatal accidents!

Ordering Spare Parts

Spare parts can be ordered by quoting:

- The truck specification number
- The truck model number
- The truck serial number

This information can be found on the truck's data plate. Only if this information is provided can the order be processed quickly, correctly and reliably.

Please refer to the Technical Specifications Sheet for the utilisable loads, technical data and dimensions for this series. Brochures can be obtained from your CROWN dealer or from the following address:

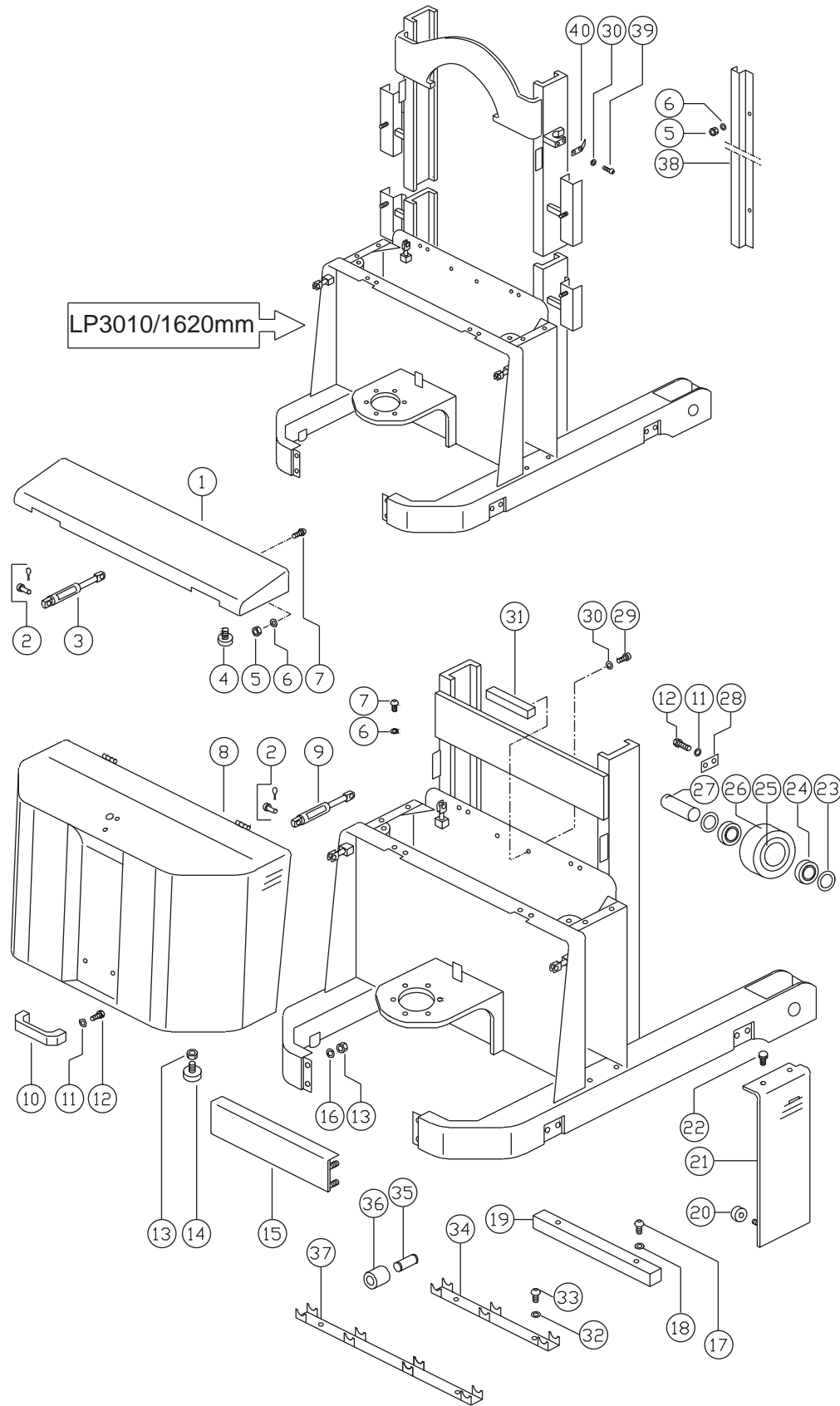
CROWN Gabelstapler GmbH & CoKG
Moosacher Str. 52
80809 Munich
GERMANY
Tel.: +49 (0)89 / 93 002 -0
Fax: +49 (0)89 / 93 002 -175 oder 133



PARTS



SECTION 1



M1737

INDEX	PART NUMBER	PART NAME	NUMBER REQUIRED
1	809610	Cover	1
2	809001-001	Pin	6
3	809512	Gas Strut	1
4	809003-001	Buffer	2
5	809004-001	Nut	8
6	809005-001	Washer	8
7	809006-001	Screw	8
8	809007	Cover	1
9	809002-002	Gas Strut	2
10	809008-001	Handle	1
11	809005-002	Washer	6
12	809006-002	Screw	6
13	809004-002	Nut	6
14	809003-002	Buffer	2
15	809009	Cover	1
16	809005-003	Washer	4
17	809615	Screw	4
18	809614	Washer	4
19	809616	Bracket	1
20	809003-003	Buffer	4
21	809611	Cover	2
22	809006-003	Screw	4
23	809013-001	Spacer	4
24	809014-001	Bearing Ball	8
25	809015	Wheel	2
26	809016	Tyre (Vulkollan)	2
27	809001-003	Axle	2
28	809017	Plate	2
29	809006-004	Screw	2
30	809005-004	Washer	8
31	809018	Stop	1

Optional

32	809614	Washer	4
33	809615	Screw	4
34	809613	Bracket	1
35	809001-002	Axle	7
36	809010-001	Roller	7
37	809612	Bracket	1

LP3010 Lift Height 1620mm

5	809004-001	Nut	12
6	809005-001	Washer	12
30	809005-004	Washer	6
38	809019	Guide	2
39	809006-005	Screw	4
40	809020	Stop	2

Always Specify Model & Serial Number
 To select part number, refer to truck data number.
 See Section ITD

BUY NOW

**Then Instant Download
the Complete Manual
Thank you very much!**