

**CROWN**

ST

# Parts Manual



**ST3000** Series



# ***TABLE OF CONTENT***

---

## Table of Content

<b>ITD – INTRODUCTION</b>	<b>PAGE</b>	<b>SERIAL NR. CUT</b>	<b>REV.</b>
General .....	7		
<b>SECTION 1 – COVERS</b>	<b>PAGE</b>	<b>SERIAL NR. CUT</b>	<b>REV.</b>
Covers .....	12		
Outriggers .....	14		
Caster Wheel .....	16		
<b>SECTION 2 – HYDRAULIC PART</b>	<b>PAGE</b>	<b>SERIAL NR. CUT</b>	<b>REV.</b>
Tube-/Hose Layout .....	20		
Hydraulic TT Mast .....	22		
<b>SECTION 3 – DRIVE UNIT</b>	<b>PAGE</b>	<b>SERIAL NR. CUT</b>	<b>REV.</b>
Gearbox .....	26		
Drive Motor .....	28		
Knuckel .....	30		
<b>SECTION 4 – ELECTRICAL</b>	<b>PAGE</b>	<b>SERIAL NR. CUT</b>	<b>REV.</b>
Electrical Parts .....	34, 36, 38		
Contactors .....	40		
Control Handle .....	42, 44		
Charger .....	46		
Batteries .....	48		
Instrument .....	50		
Reverse Alarm .....	52		
Strobe Light .....	54		
<b>SECTION 5 – BRAKE SYSTEM</b>	<b>PAGE</b>	<b>SERIAL NR. CUT</b>	<b>REV.</b>
Brake .....	58		
<b>SECTION 7 – MAST/LIFT STRUCTURE</b>	<b>PAGE</b>	<b>SERIAL NR. CUT</b>	<b>REV.</b>
TL Mast .....	62		
TL Mast - Chain .....	64		
TT Mast .....	66		
TT Mast - Chain .....	68		
Fork Carriage .....	70		
Mast Safety Screen .....	72		
Forks .....	74		
Load Backrest .....	76		
Yoke .....	80		
<b>SECTION 8 – CYLINDER</b>	<b>PAGE</b>	<b>SERIAL NR. CUT</b>	<b>REV.</b>
Lift Cylinder .....	82		
Free Lift Cylinder .....	84		
<b>SECTION 10 – MISCELLANEOUS SERVICE INF.</b>	<b>PAGE</b>	<b>SERIAL NR. CUT</b>	<b>REV.</b>
Labels and Decals .....	88		



# ***INTRODUCTION***

---

## Important customer information

To ensure the safety of the truck, you, the customer, must only carry out maintenance and repairs as stipulated in the operator manual.

Any additional work must be performed by Crown authorised service technicians. Authorised service technicians have the required expertise and up-to-date service information.

If you wish to have your own technicians trained, please contact Crown for relevant training courses.

## Subsequent Attachments and Modifications made to the Truck

### **DANGER!**



***Any proposed modification which would alter the original condition of the truck when delivered, must first be assessed and approved in writing by Crown Gabelstapler GmbH.***

- *The net weight and position of attachments may considerably affect the capacity and other truck characteristics.*
- *Changing the electrical system or adding electrically operated components may result in operating faults.*

***Modifications which have not been assessed may result in fatal accidents!***

## Ordering Spare Parts

Spare parts can be ordered by quoting:

- The truck specification number
- The truck model number
- The truck serial number

This information can be found on the truck's data plate. Only if this information is provided can the order be processed quickly, correctly and reliably.

Please refer to the Technical Specifications Sheet for the utilisable loads, technical data and dimensions for this series. Brochures can be obtained from your CROWN dealer or from the following address:

**CROWN Gabelstapler GmbH & CoKG**  
**Moosacher Str. 52**  
**80809 Munich**  
**GERMANY**  
**Tel.: +49 (0)89 / 93 002 -0**  
**Fax: +49 (0)89 / 93 002 -175 oder 133**



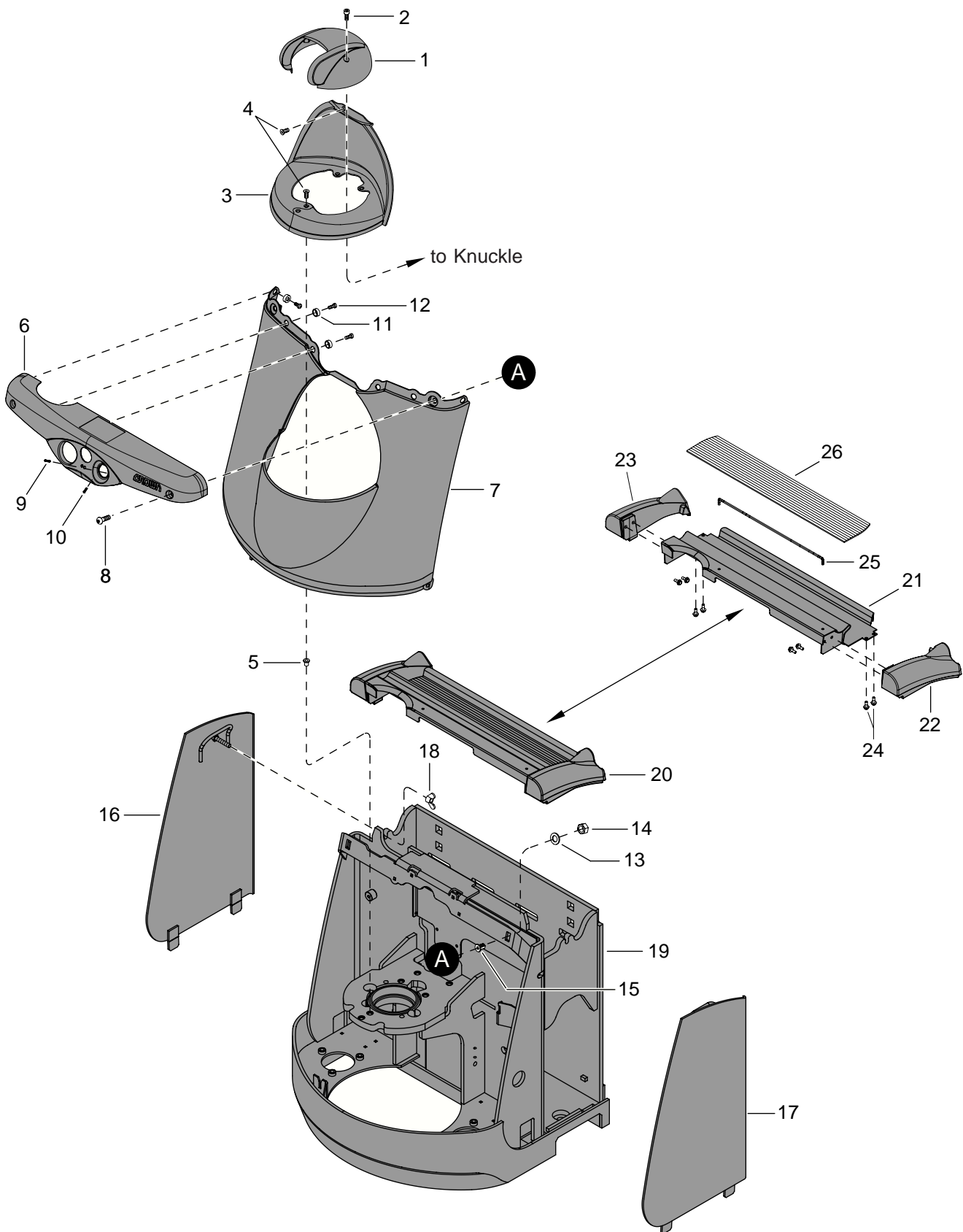
# ***PARTS***

---



## ***SECTION 1***

---





INDEX	PART NUMBER	PART NAME	NUMBER REQUIRED
1	813342	Knuckle Cover	1
2	050005-086	Screw	2
3	813275-002	Cover (without Charger)	1
	813496-002	Cover (with Charger & UK-Plug)	1
4	050003-067	Screw	5
5	805825-001	Blind Rivet Nut	4
6	813537-331	Cover (without Charger)	1
	813537-332	Cover (with Charger)	1
	813537-333	Cover (with Charger/UK-Plug)	1
7	813152	Cover	1
8	050077-013	Screw	2
9	109127-001	Clip Arrow Indicator (Green)	1
10	109127-003	Clip Arrow Indicator (Red)	1
11	805818	Spacer	6
12	803469-007	Screw	6
13	050010-061	Washer	2
	050009-057	Washer (0,5 mm)	AR
	050009-058	Washer (1,0 mm)	AR
	050009-059	Washer (2,0 mm)	AR
14	050008-057	Nut	2
15	813261	Threaded Boss	2
16	811617-001	Sidecover	1
17	811617-002	Sidecover	1
18	812933	Wing Nut	2
19	811572	Power Unit Frame	1
20	812952	Battery Cover Assembly (included 21 - 26)	1
21	812953	Tray	1
	055055-021	Sheating	3
22	812956-001	Rubber End Cap	1
23	812956-002	Rubber End Cap	1
24	050067-012	Screw	8
	053050-006	Screw Locking	AR
25	804834-012	Cord	1
26	813790	Mat	1
	053050-010	Adhesive	AR
	813522-101	Cover Assembly (without Charger/included 6, 7, 9 - 12)	1
	813522-102	Cover Assembly (with Charger/included 6, 7, 9 - 12)	1
	813522-103	Cover Assembly (with Charger/UK-Plug/included 6, 7, 9 - 12)	1

Always Specify Model & Serial Number  
 To select part number, refer to truck data number.  
 See Section ITD

**BUY NOW**

**Then Instant Download  
the Complete Manual  
Thank you very much!**