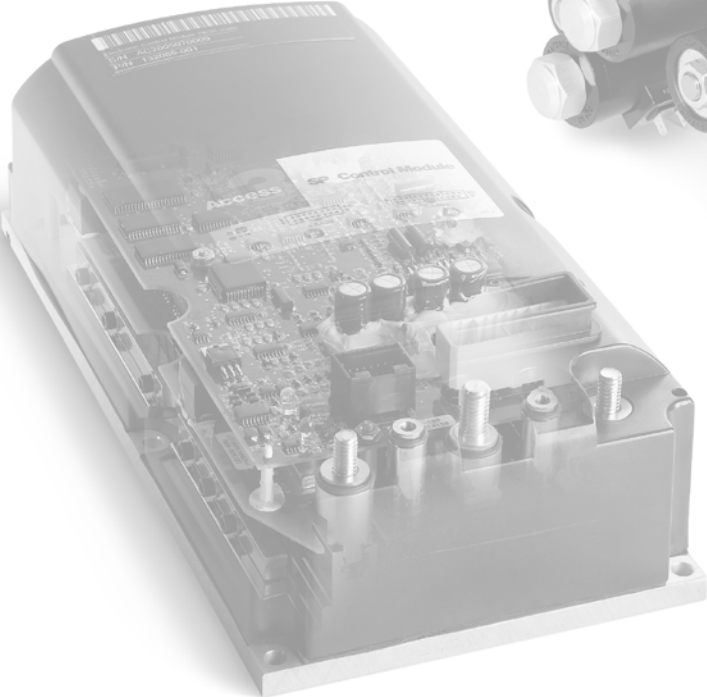
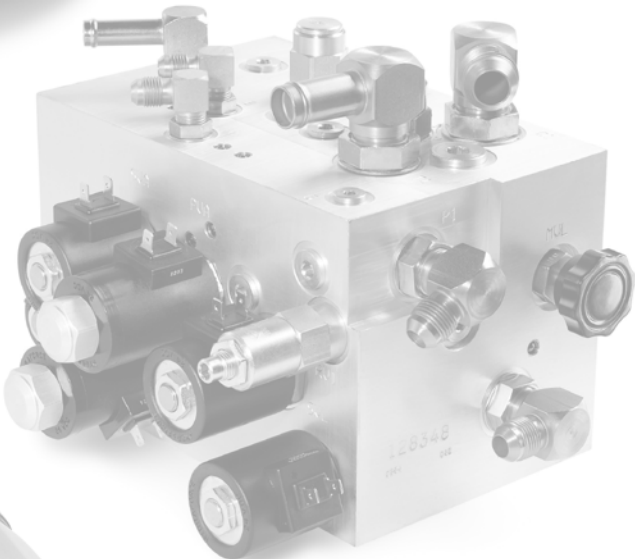




# TC 3000 SERIES PARTS MANUAL



Order Number: 812741-006  
Revision: A • Printed in Germany



# ***TABLE OF CONTENTS***





# TABLE OF CONTENTS

---

## TABLE OF CONTENTS

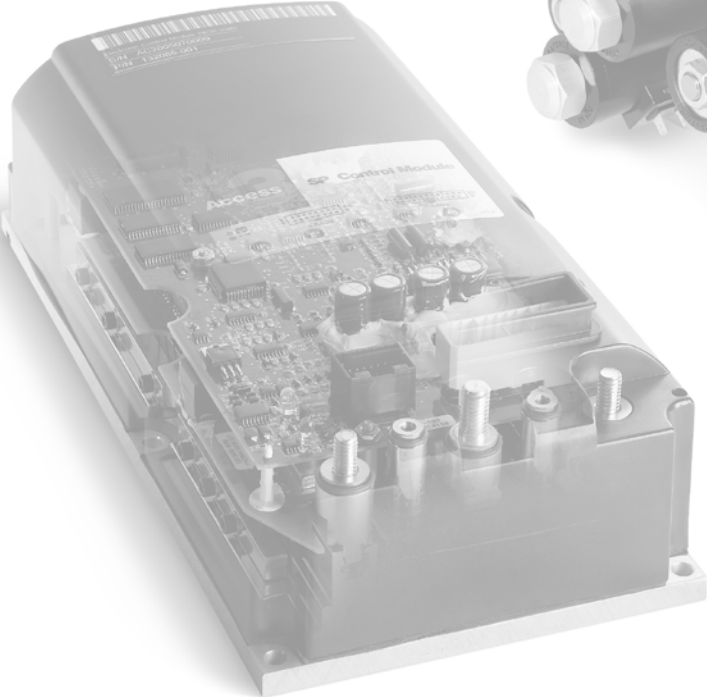
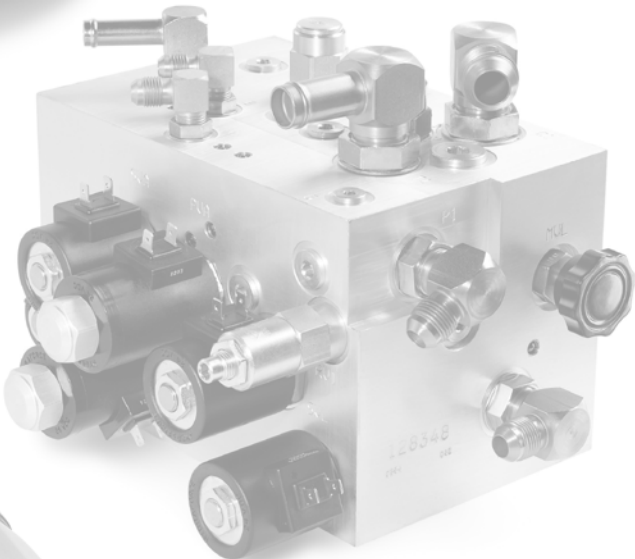
<b>INTRODUCTION</b>	<b>PAGE</b>	<b>SERIAL NO. CUT</b>	<b>REV.</b>
<b>Important customer information</b> .....	<b>3</b>		
Subsequent Attachments and Modifications made to the Truck	3		
Ordering Spare Parts .....	3		
Using the Manual .....	3		
<b>Models</b> .....	<b>4</b>		
<b>COVERS</b>	<b>PAGE</b>	<b>SERIAL NO. CUT</b>	<b>REV.</b>
Covers Part 1 - 4 .....	6		
Covers Part 2 - 4 .....	8		
Covers Part 2 - 4 .....	10		
Covers Part 3 - 4 .....	12		
Covers Part 4 - 4 .....	14		
Retractable Step .....	16		
Battery Compartment .....	18		
Caster Assembly or Skid .....	20		
Load Wheel .....	22		
<b>DRIVE UNIT</b>	<b>PAGE</b>	<b>SERIAL NO. CUT</b>	<b>REV.</b>
Drive Unit .....	26		
Gear Unit .....	28		
Drive Motor .....	30		
<b>ELECTRICAL SYSTEM</b>	<b>PAGE</b>	<b>SERIAL NO. CUT</b>	<b>REV.</b>
Connector Housing and Connectors .....	34		
Electrics Part 1 - 2 .....	36		
Electrics Part 2 - 2 .....	38		
Contactor .....	40		
Control Handle Part 1 - 3 .....	42		
Control Handle Part 2 - 3 .....	44		
Control Handle Part 3 - 3 .....	46		
Switch, PPCS .....	48		
Emergency Disconnect & Battery Connector .....	50		
Dashboard .....	52		
<b>BRAKE SYSTEM</b>	<b>PAGE</b>	<b>SERIAL NO. CUT</b>	<b>REV.</b>
Brake .....	56		
<b>STEERING</b>	<b>PAGE</b>	<b>SERIAL NO. CUT</b>	<b>REV.</b>
Steer Unit .....	60		
<b>PLATFORM</b>	<b>PAGE</b>	<b>SERIAL NO. CUT</b>	<b>REV.</b>
Floor Assembly .....	64		
Knee and Back Padding .....	66		
Cover .....	68		
Side Pocket and Handle, Backrest .....	70		
Grab Handle, Backrest .....	72		

# TABLE OF CONTENTS



---

MISCELLANEOUS	PAGE	SERIAL NO. CUT	REV.
Hitch .....	76		
Labels and Decals .....	78		



# ***INTRODUCTION***



### Important customer information

To ensure the safety of the truck, you, the customer, must only carry out maintenance and repairs as stipulated in the operator manual.

Any additional work must be performed by Crown authorised service technicians. Authorised service technicians have the required expertise and up-to-date service information.

If you wish to have your own technicians trained, please contact Crown for relevant training courses.

### Subsequent Attachments and Modifications made to the Truck



#### DANGER

*Any proposed modification which would alter the original condition of the truck when delivered, must first be assessed and approved in writing by Crown Gabelstapler GmbH.*

- *The net weight and position of attachments may considerably affect the capacity and other truck characteristics.*
- *Changing the electrical system or adding electrically operated components may result in operating faults.*

*Modifications which have not been assessed may result in fatal accidents!*

### Ordering Spare Parts

The maintenance manual does not cover spare parts. These are listed in a separate parts manual.

Spare parts can be ordered by quoting:

- The truck specification number
- The truck model number

The truck serial number This information can be found on the truck's data plate. Only if this information is provided can the order be processed quickly, correctly and reliably.

Please refer to the Technical Specifications Sheet for the utilisable loads, technical data and dimensions for

this series. Brochures can be obtained from your CROWN dealer or from the following address:

CROWN Gabelstapler GmbH & Co.KG  
 Moosacher Str. 52  
 80809 Munich  
 GERMANY

Tel.: +49 (0)89 / 93 002 -0  
 Fax: +49 (0)89 / 93 002 -175 or133

### Using the Manual

The manual is divided into chapters. The following table shows how the manual is structured.

Manual Structure	
Chapter	Content
ITD	Introduction
1	Covers
2	Hydraulic System
3	Drive Unit
4	Electrical System
5	Brake System
6	Steering
7	Lifting Mechanism
8	Cylinders
9	Platform
10	Miscellaneous

# INTRODUCTION

## Models

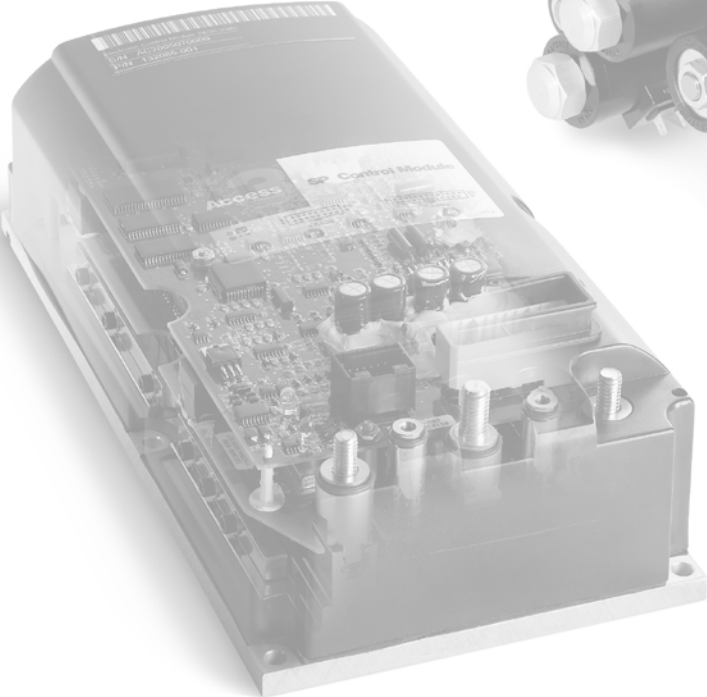
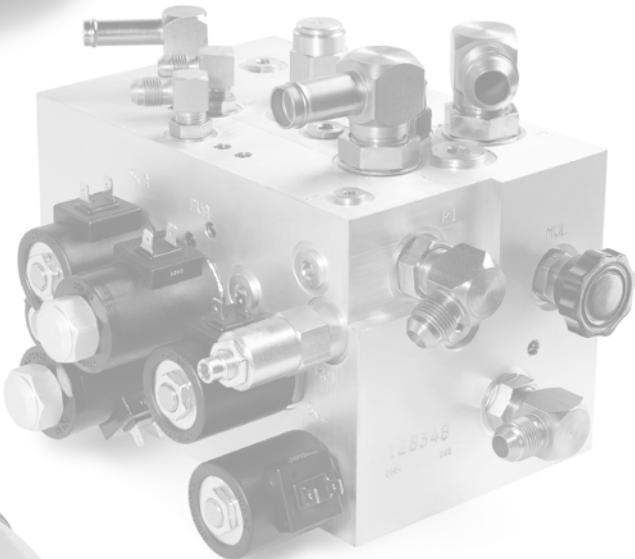
---



## Models

Describes the following models:

**TC 3000**



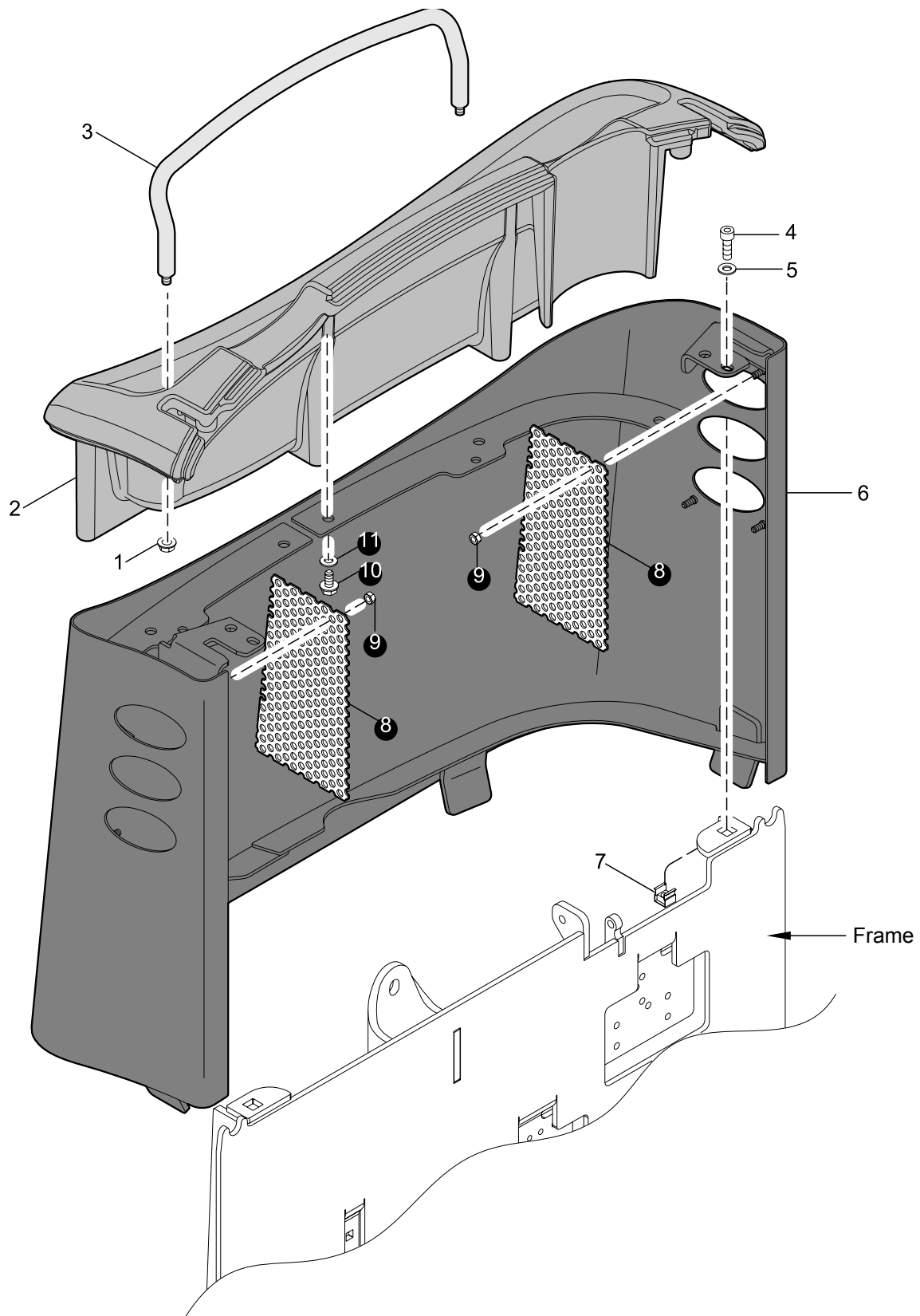
# **COVERS**





# COVERS

## Covers Part 1 - 4



GPC001

TC 3000



# COVERS

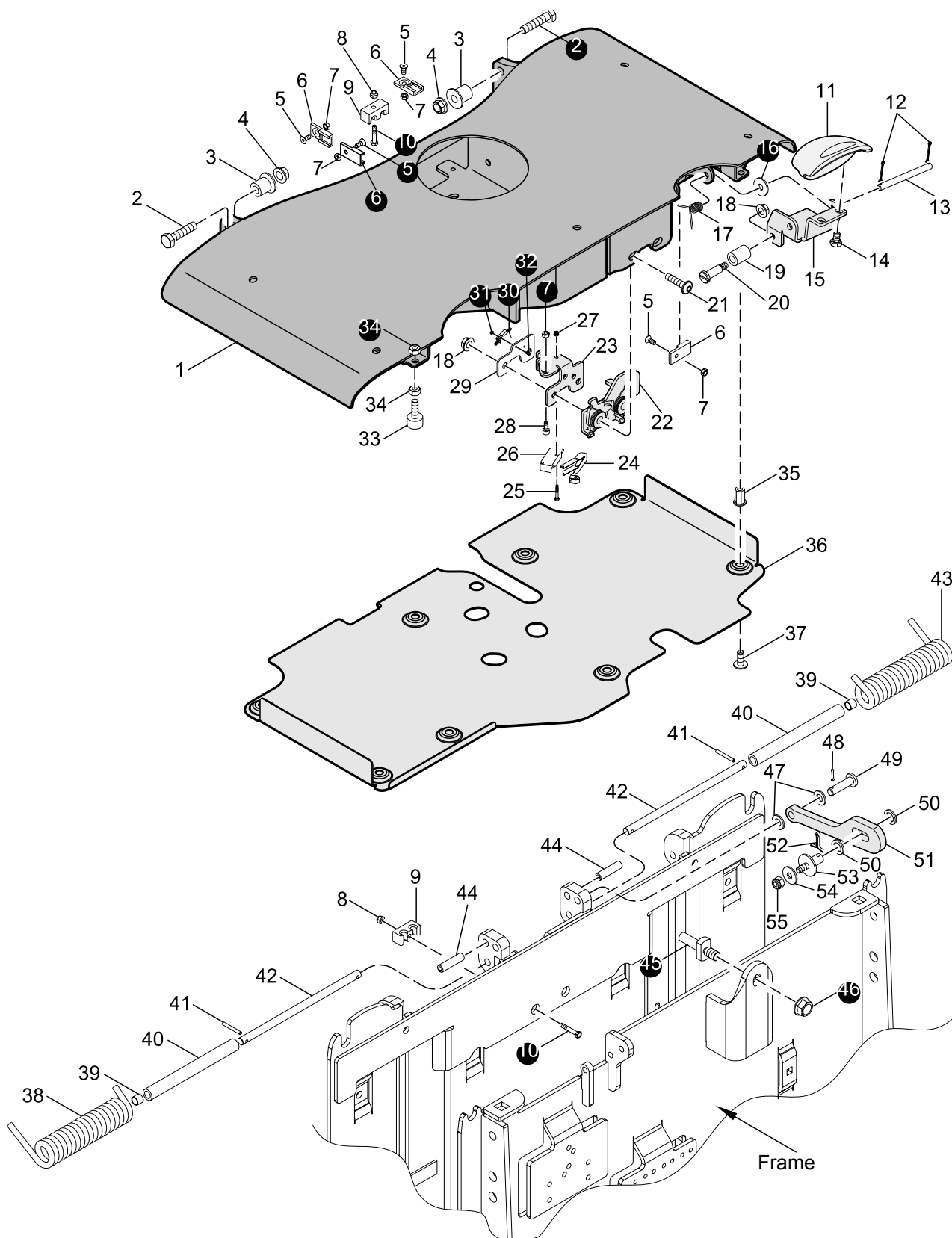
## Covers Part 1 - 4

INDEX	PART NUMBER	PART NAME	NUMBER REQUIRED
1	050068-003	Nut	2
2	818398	Cover	1
3	818648	Bracket	1
4	050005-024	Screw	2
5	050009-018	Washer	2
6	818377-002	Cover	1
7	804863-007	Speed Nut	2
8	818390	Screen	2
9	050008-015	Nut	8
10	050067-022	Screw	8
11	050009-018	Washer	8
	818387-003	Covers (complete/including 1 - 3, 6, 8 - 11)	1

Always Specify Model, Data & Serial Number

# COVERS

## Covers Part 2 - 4



GPC003

TC 3000

**BUY NOW**

**Then Instant Download  
the Complete Manual  
Thank you very much!**