



Parts Manual



WAV 50 Series



TABLE OF CONTENT

Table of Content

ITD – INTRODUCTION	PAGE	SERIAL NR. CUT	REV.
General	7		
SECTION 1 – COVERS	PAGE	SERIAL NR. CUT	REV.
Chassis Front	12, 14		
Chassis Rear	16		
Axle	18		
SECTION 2 – HYDRAULIC PART	PAGE	SERIAL NR. CUT	REV.
Hydraulic Unit	22		
SECTION 3 – DRIVE UNIT	PAGE	SERIAL NR. CUT	REV.
Drive Wheel	26		
SECTION 4 – ELECTRICAL	PAGE	SERIAL NR. CUT	REV.
Electrical Parts	30, 32, 34		
Contactor	36		
Traction Handle	38		
Steering Handle	40, 42		
Service Panel	44		
Mast Wiring	46, 48		
Gate Switch	50		
Height Switch	52		
Motor Cover Switch	54		
SECTION 7 – MAST/LIFT STRUCTURE	PAGE	SERIAL NR. CUT	REV.
Mast	58, 60, 62		
Mast Chain	64, 66		
Yoke	68		
SECTION 8 – CYLINDER	PAGE	SERIAL NR. CUT	REV.
Lift Cylinder	72		
SECTION 9 – CABIN/PLATFORM	PAGE	SERIAL NR. CUT	REV.
Platform	76, 78, 80		
SECTION 10 – MISCELLANEOUS SERVICE INF.	PAGE	SERIAL NR. CUT	REV.
Rail Guide	84		
Load Tray	86		
Labels and Decals	88, 90		



INTRODUCTION

Important customer information

To ensure the safety of the truck, you, the customer, must only carry out maintenance and repairs as stipulated in the operator manual.

Any additional work must be performed by Crown authorised service technicians. Authorised service technicians have the required expertise and up-to-date service information.

If you wish to have your own technicians trained, please contact Crown for relevant training courses.

Subsequent Attachments and Modifications made to the Truck

DANGER!



Any proposed modification which would alter the original condition of the truck when delivered, must first be assessed and approved in writing by Crown Gabelstapler GmbH.

- *The net weight and position of attachments may considerably affect the capacity and other truck characteristics.*
- *Changing the electrical system or adding electrically operated components may result in operating faults.*

Modifications which have not been assessed may result in fatal accidents!

Ordering Spare Parts

Spare parts can be ordered by quoting:

- The truck specification number
- The truck model number
- The truck serial number

This information can be found on the truck's data plate. Only if this information is provided can the order be processed quickly, correctly and reliably.

Please refer to the Technical Specifications Sheet for the utilisable loads, technical data and dimensions for this series. Brochures can be obtained from your CROWN dealer or from the following address:

CROWN Gabelstapler GmbH & CoKG
Moosacher Str. 52
80809 Munich
GERMANY
Tel.: +49 (0)89 / 93 002 -0
Fax: +49 (0)89 / 93 002 -175 oder 133

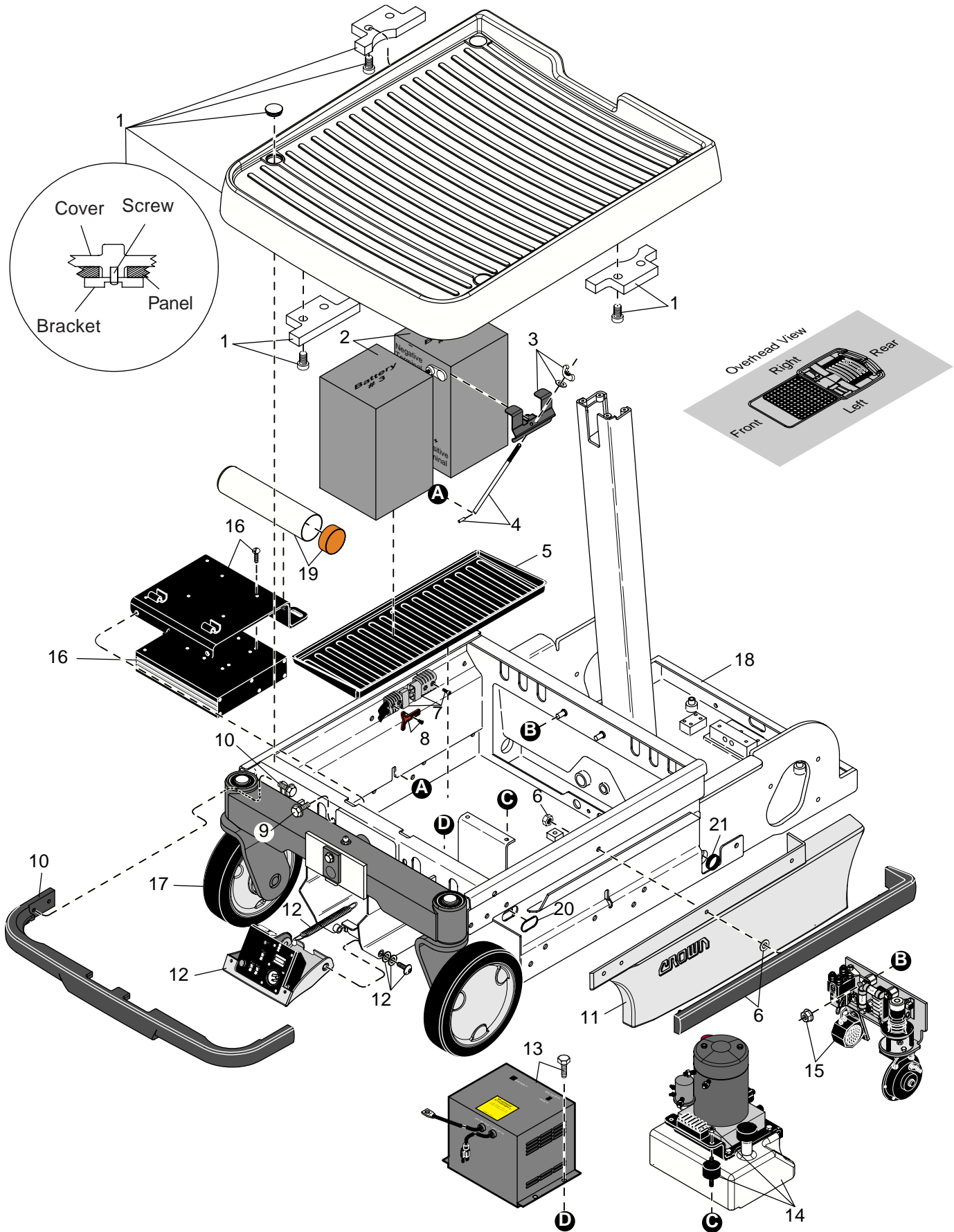


PARTS



SECTION 1

Part 1-3



MP-2350-001

INDEX	PART NUMBER	PART NAME	NUMBER REQUIRED
1	128748	Cover	1
	120390	Panel	1
	130788	Front Bracket	2
	130789	Rear Bracket	2
	061094-002	Screw	8
2	120533	Plug	4
	125323	Battery	4
	060005-008	Washer	8
3	060030-017	Washer	8
	125784	Bracket	2
	060024-002	Nut	2
4	060030-017	Washer	2
	120383	Rod	2
	060000-045	Roll Pin	2
5	120382	Rod Assembly	2
	120241	Battery Tray	2
6	120251	Side Bumper	2
	060080-007	Nut	6
	060030-098	Washer	6
7	078723-005	Connector Gray	2
	078724-005	Contacts	2
	060012-078	Screw	2
8	120573	Handle	1
	060012-078	Screw	2
9	060016-096	Screw	2
	060030-017	Washer	2
10	120391	Front Bumper	1
	060017-104	Screw	4
11	120357-001	Side Cover LH	1
	120357-002	Side Cover RH	1
12		Service Panel (see Section 4.8)	1
	120604	Spring	1
	103418-035	Spacer	2
	060030-197	Washer	2
	060017-103	Screw	2
	120202-003	Battery Charger (220V, 25 A EEC)	1
	120202-004	Battery Charger (240V, 25 A AUS)	1
13	127039-003	Circuit Breaker (7 A)	1
	127038-001	Fuse	1
	127037	Fuse Holder	1
	060016-095	Screw	4
	795730	AC Power Cord (UK)	1
	795731	AC Power Cord (EEC)	1
	14		Hydraulic Unit (see Section 2.0)
15	120314	Vibration Mount	3
	060080-006	Nut	3
16		Contactor Panel (see Section 4.1)	1
	060080-008	Nut	2
16	133085	Controller	1
	133085-00R-0S	Remanufactured MRC Controller	1
	060015-003	Screw	6
	060005-007	Washer	6
	060021-006	Nut	6
	120433	Controller Mounting Plate	1
	060014-080	Screw	6

Always Specify Model & Serial Number
To select part number, refer to truck data number.
See Section ITD

BUY NOW

**Then Instant Download
the Complete Manual
Thank you very much!**