

CROWN



Parts Manual



WD2300S Series



TABLE OF CONTENT

Table of Content

ITD – INTRODUCTION	PAGE	SERIAL NR. CUT	REV.
General	7		
SECTION 1 – COVERS	PAGE	SERIAL NR. CUT	REV.
Covers	12, 14		
Caster Wheel	16		
SECTION 2 – HYDRAULIC PART	PAGE	SERIAL NR. CUT	REV.
Tube-/Hose Layout	20, 22		
SECTION 3 – DRIVE UNIT	PAGE	SERIAL NR. CUT	REV.
Drive Unite	26		
Gearbox	28		
Drive Motor	30		
Knuckel	32		
SECTION 4 – ELECTRICAL	PAGE	SERIAL NR. CUT	REV.
Electrical Parts	36, 38, 40		
Contactore	42		
Control Handle	44, 46		
Emergency Disconnect/Battery Connector	48		
Instrument	50		
Horn	52		
SECTION 5 – BRAKE SYSTEM	PAGE	SERIAL NR. CUT	REV.
Brake	56		
SECTION 7 – MAST/LIFT STRUCTURE	PAGE	SERIAL NR. CUT	REV.
Mast	60		
Fork Carriage	62		
Mast Safty Screen	64		
Lift Structure	66		
Load Backrest	68		
SECTION 8 – CYLINDER	PAGE	SERIAL NR. CUT	REV.
Lift Cylinder	72		
Free Lift Cylinder	74		
SECTION 9 – CABIN/PLATFORM	PAGE	SERIAL NR. CUT	REV.
Platform	78,80		



INTRODUCTION

Important customer information

To ensure the safety of the truck, you, the customer, must only carry out maintenance and repairs as stipulated in the operator manual.

Any additional work must be performed by Crown authorised service technicians. Authorised service technicians have the required expertise and up-to-date service information.

If you wish to have your own technicians trained, please contact Crown for relevant training courses.

Subsequent Attachments and Modifications made to the Truck

DANGER!



Any proposed modification which would alter the original condition of the truck when delivered, must first be assessed and approved in writing by Crown Gabelstapler GmbH.

- *The net weight and position of attachments may considerably affect the capacity and other truck characteristics.*
- *Changing the electrical system or adding electrically operated components may result in operating faults.*

Modifications which have not been assessed may result in fatal accidents!

Ordering Spare Parts

Spare parts can be ordered by quoting:

- The truck specification number
- The truck model number
- The truck serial number

This information can be found on the truck's data plate. Only if this information is provided can the order be processed quickly, correctly and reliably.

Please refer to the Technical Specifications Sheet for the utilisable loads, technical data and dimensions for this series. Brochures can be obtained from your CROWN dealer or from the following address:

CROWN Gabelstapler GmbH & CoKG
Moosacher Str. 52
80809 Munich
GERMANY
Tel.: +49 (0)89 / 93 002 -0
Fax: +49 (0)89 / 93 002 -175 oder 133

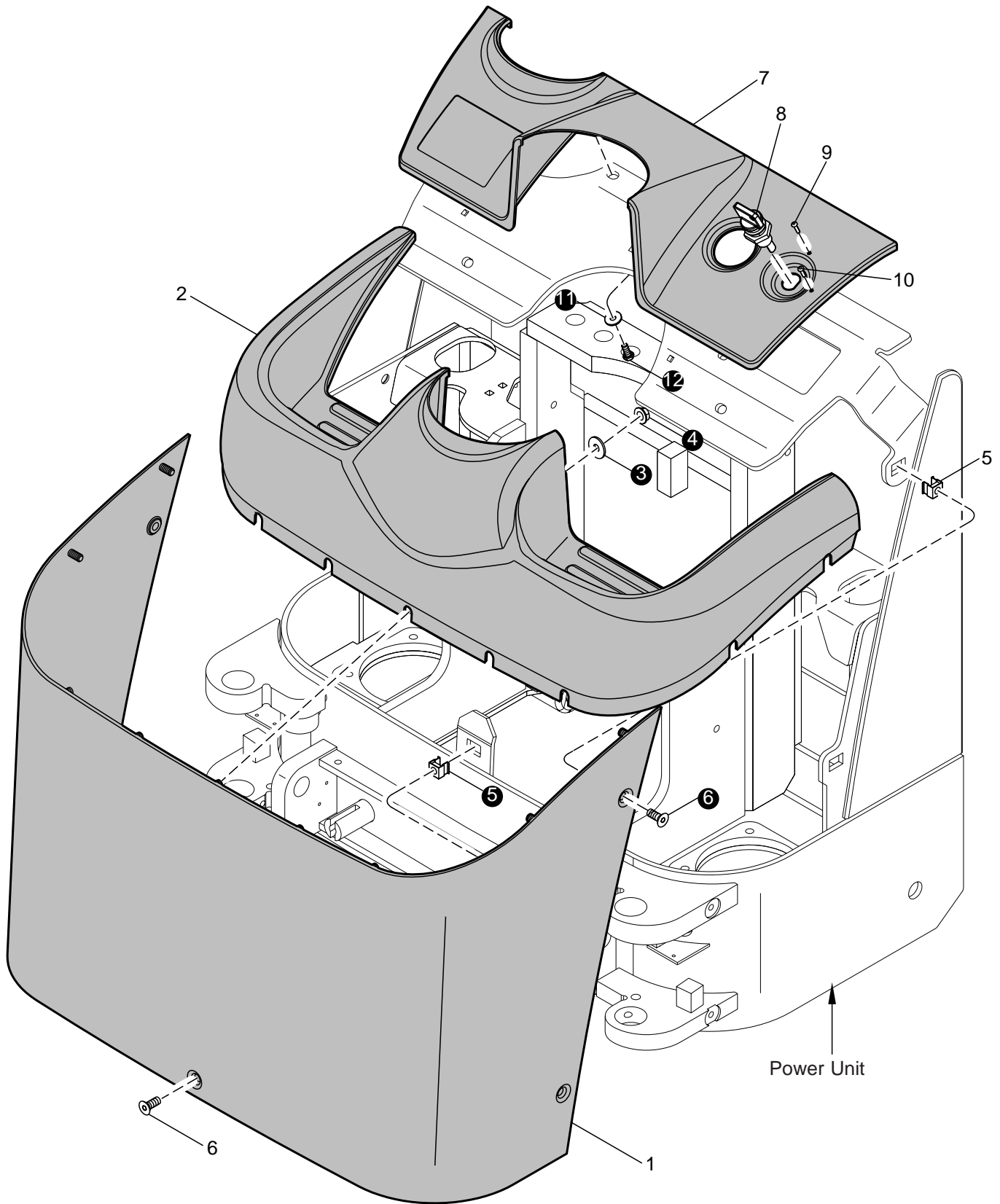


PARTS



SECTION 1

Part 1-2



MP-3300-009

INDEX	PART NUMBER	PART NAME	NUMBER REQUIRED
1	807575	Cover	1
2	807379	Cover	1
3	050009-020	Washer	9
4	050068-003	Nut	9
5	804863-007	Cage Nut	5
6	050003-035	Screw	5
7	807380	Cover	1
8	816156	Key Switch Assembly	1
	803678-012	Terminal tabs	2
9	109127-003	Clip Arrow (red)	1
10	109127-001	Clip Arrow (green)	1
11	050009-013	Washer	5
12	050006-024	Screw	5
	807574	Cover Assembly (included 1 - 4)	1
	807651	Cover Assembly (included 7 - 10)	1

Always Specify Model & Serial Number
 To select part number, refer to truck data number.
 See Section ITD

BUY NOW

**Then Instant Download
the Complete Manual
Thank you very much!**