

CROWN



Parts Manual

WE/WS2000 Series

CROWN

TABLE OF CONTENT

Table of Content

ITD – INTRODUCTION	PAGE	SERIAL NR. CUT	REV.
General.....	7		

SECTION 1 – COVERS	PAGE	SERIAL NR. CUT	REV.
Frame and Pivoting carriage (WE)	12		Rev.2 02/01
Frame and Pivoting carriage (WS)	14		Rev.3 06/03
Covers	16		Rev.2 08/01
Covers (Platform)	18		Rev.2 08/01
Wheels	20		Rev.3 08/01
Caster Wheel (Platform)	22		Rev.1 06/03

SECTION 2 – HYDRAULIC PART	PAGE	SERIAL NR. CUT	REV.
Power Unit Hydraulic	26		Rev.4 06/03
Hydraulic Accessories Power Unit	28		Rev.1 08/01
Hydraulic Tank	30		Rev.3 08/01
Hydraulic Tank Accessories	32		
Hydraulic TL Mast (1,25t/1,35t)	34		Rev.2 02/01
Hydraulic TL Mast (1,6t/1,8t and Platform)	36		Rev.2 02/01
Hydraulic Accessories TL Mast	38,40		Rev.2 06/03
Hydraulic TF Mast (1,25t/1,35t)	42		Rev.3 08/01
Hydraulic TF Mast (1,6t/1,8t and Platform)	44		Rev.3 08/01
Hydraulic TT Mast (1,6t/1,8t and Platform)	46		Rev.2 02/01
Hydraulic Accessories TT Mast	48,50		Rev.1 08/01
Pump Motor (1,25t/1,35t)	52		Rev.1 02/01
Pump Motor (1,6t/1,8t and Platform)	54		Rev.1 02/01

SECTION 3 – DRIVE UNIT	PAGE	SERIAL NR. CUT	REV.
Drive Unit.....	58		Rev.2 02/01
Gearbox.....	60		Rev.1 02/01
Drive Motor	62		Rev.1 02/01
Knuckle.....	64		Rev.2 08/01
Knuckle (Platform)	66		Rev.1 08/01

SECTION 4 – ELECTRICAL	PAGE	SERIAL NR. CUT	REV.
Elektrical Parts	70,72		Rev.4 06/03
Pump Contactor	74		Rev.1 08/01
Forward/Reverse Contactor	76		
Control Handle	78		Rev.2 06/03
Control Handle (Hydraulic Accessories)	80,82		Rev.2 06/03
Emergency Disconnect.....	84		Rev.2 08/01
Battery Charger	86		Rev.1 06/03
Mast Wiring TL Mast (Hydraulic Accessories)	88		Rev.1 08/01
Mast Wiring TT Mast (Hydraulic Accessories)	90		Rev.1 08/01

SECTION 5 – BRAKE SYSTEM	PAGE	SERIAL NR. CUT	REV.
Brake (1,25t/1,35t)	94		Rev.3 06/03
Brake (1,6t/1,8t and Platform)	96		Rev.3 06/03

SECTION 6 – STEERING	PAGE	SERIAL NR. CUT	REV.
Steering Column	100		Rev.4 06/03

SECTION 7 – MAST-/LIFT STRUCTURE	PAGE	SERIAL NR. CUT	REV.
TL Mast (1,25t/1,35t)	104,106		Rev.2 06/03
TL Mast (1,6t/1,8t)	108,110		Rev.3 06/03
TF Mast (1,25t/1,35t)	112,114		Rev.3 06/03
TF Mast (1,6t/1,8t)	116,118		Rev.2 08/01
TT Mast	120,122,124,126		Rev.4 06/03
Fork Carriage (WE 1,25t)	128		Rev.2 08/01
Fork Carriage (WE 1,6t)	130		Rev.2 08/01
Fork Carriage (WS 1,35t)	132		Rev.3 06/03
Fork Carriage (WS 1,8t)	134		
Load Backrest	136		

SECTION 8 – CYLINDER	PAGE	SERIAL NR. CUT	REV.
Lift Cylinder (TL Mast 1,25t/1,35t)	140		Rev.1 02/01
Lift Cylinder (TL/TT Mast 1,6t/1,8t)	142		Rev.1 02/01
Lift Cylinder (TF Mast 1,25t/1,35t)	144		Rev.1 02/01
Lift Cylinder (TF Mast 1,6t/1,8t)	146		Rev.1 02/01
Free Lift Cylinder (TF Mast 1,25t/1,35t)	148		Rev.1 02/01
Free Lift Cylinder (TF/TT Mast 1,6t/1,8t)	150		Rev.1 02/01

SECTION 9 – CABIN/PLATFORM	PAGE	SERIAL NR. CUT	REV.
Platform	154, 156		Rev.3 06/03

SECTION 10 – MISCELLANEOUS SERVICE INF.	PAGE	SERIAL NR. CUT	REV.
Labels and Decals	160		Rev.3 06/03

CROWN

INTRODUCTION

Important customer information

To ensure the safety of the truck, you, the customer, must only carry out maintenance and repairs as stipulated in the operator manual.

Any additional work must be performed by Crown authorised service technicians. Authorised service technicians have the required expertise and up-to-date service information.

If you wish to have your own technicians trained, please contact Crown for relevant training courses.

Subsequent Attachments and Modifications made to the Truck

DANGER!



Any proposed modification which would alter the original condition of the truck when delivered, must first be assessed and approved in writing by Crown Gabelstapler GmbH.

- *The net weight and position of attachments may considerably affect the capacity and other truck characteristics.*
- *Changing the electrical system or adding electrically operated components may result in operating faults.*

Modifications which have not been assessed may result in fatal accidents!

Ordering Spare Parts

Spare parts can be ordered by quoting:

- The truck specification number
- The truck model number
- The truck serial number

This information can be found on the truck's data plate. Only if this information is provided can the order be processed quickly, correctly and reliably.

Please refer to the Technical Specifications Sheet for the utilisable loads, technical data and dimensions for this series. Brochures can be obtained from your CROWN dealer or from the following address:

CROWN Gabelstapler GmbH & CoKG
Moosacher Str. 52
80809 Munich
GERMANY
Tel.: +49 (0)89 / 93 002 -0
Fax: +49 (0)89 / 93 002 -175 oder 133

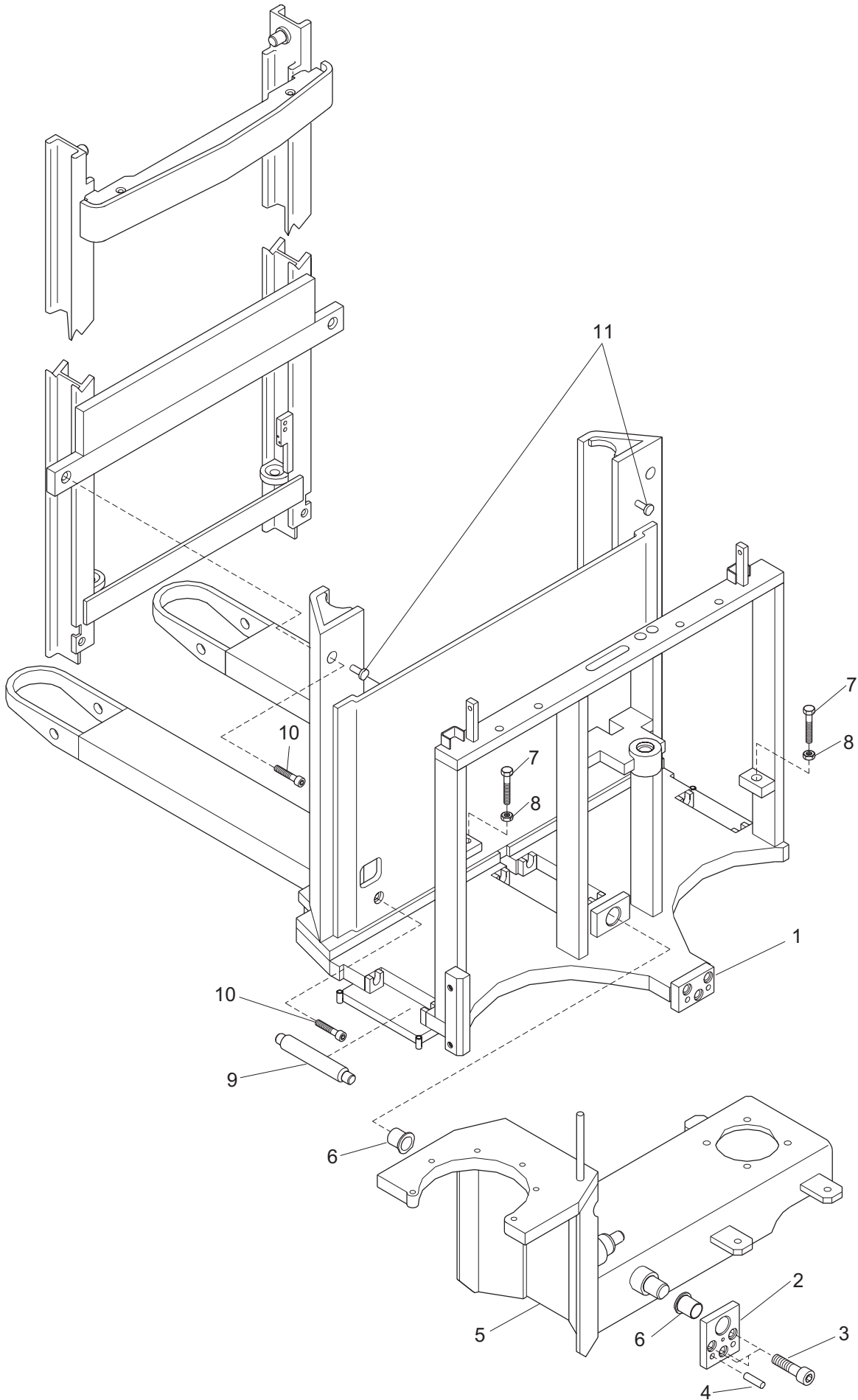
CROWN

PARTS

CROWN

SECTION 1

WE



M0602

INDEX	PART NUMBER	PART NAME	NUMBER REQUIRED
0		Frame WE	1
1	802884-002	Frame Assembly (1.25t TL/TF)	1
	803501-002	Frame Assembly (1.6t TL/TF)	1
	803501-003	Frame Assembly (1.6t TT)	1
	806061-001	Frame Assembly (1.4t TL/TF - Platform)	1
	806061-002	Frame Assembly (1.4t TT - Platform)	1
	806061-003	Frame Assembly (1.25t TL/TF - Platform)	1
2	803027	Bracket	1
3	050005-037	Screw	3
4	050052-004	Pin, Roll	2
5	802746	Pivoting Carriage	1
6	803057	Bushing	2
7	050006-071	Screw	2
8	050008-050	Nut	2
9	803198-001	Battery Rollers	4
	803198-002	Battery Rollers (Freezer/Corrosion)	4
10	050051-004	Screw	4
11	803043	Shaft (welded on)	2
	053002-001	Grease	AR
	053002-005	Grease (Freezer/Corrosion)	AR

Always Specify Model & Serial Number

BUY NOW

**Then Instant Download
the Complete Manual
Thank you very much!**