



MARINE

Service Manual

MDKAD, MDKAE, MDKAF

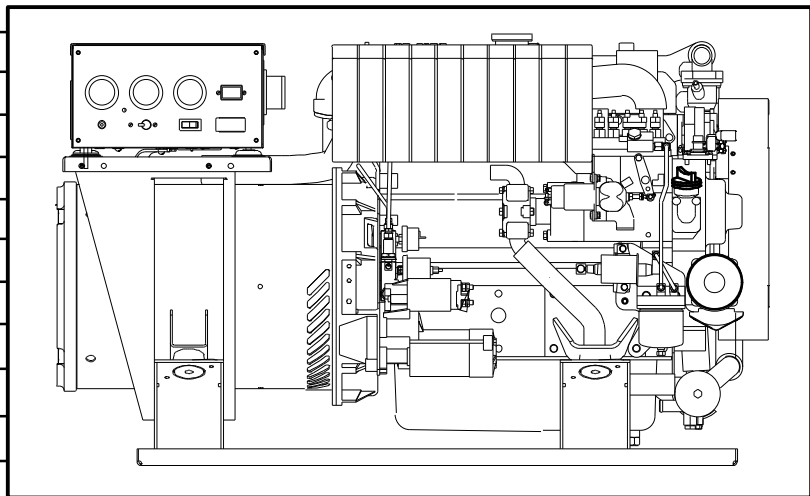
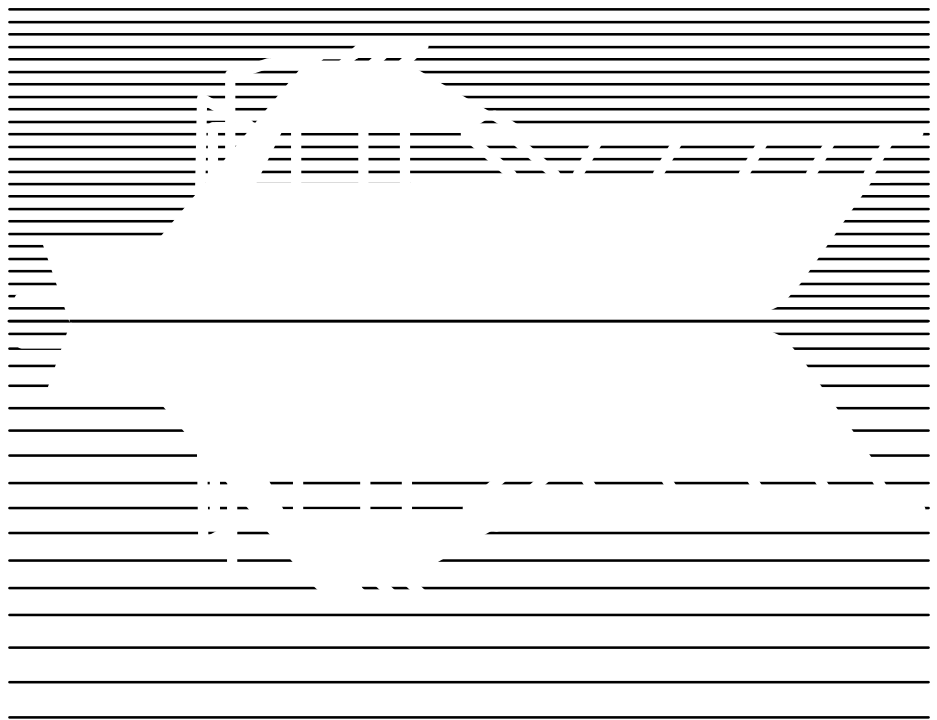


Table of Contents

SECTION	TITLE	PAGE
	SAFETY PRECAUTIONS	iii
1	INTRODUCTION	1-1
	About This Manual	1-1
	Assistance	1-1
	Test Equipment	1-1
	Safety Considerations	1-1
	Set Removal	1-3
2	ENGINE CONTROLS	2-1
	Introduction	2-1
	Control Descriptions	2-1
	Control Operation	2-8
	Control Troubleshooting	2-9
3	ENGINE CONTROL SERVICE	3-1
	General	3-1
	[A] Battery Check	3-1
	[B] Battery Cable Check	3-1
	[C] Battery Charging Check	3-1
	[D] Start Solenoid Check	3-1
	[E] Relay Check	3-2
	[F] Fuel Solenoid Check	3-2
	[G] Switch Check	3-2
	[H] Fuel Pump Test	3-2
4	GENERATOR/VOLTAGE REGULATOR	4-1
	General Description	4-1
	Generator Operation	4-2
	Electronic Voltage Regulator	4-3
	Changing Genset Frequency	4-4
	Generator Service	4-7
5	GENERATOR/REGULATOR TROUBLESHOOTING	5-1
	General	5-1
	Troubleshooting Procedures	5-1

SECTION	TITLE	PAGE
6	GENERATOR/REGULATOR TESTS	6-1
	General	6-1
	[A] Testing AC Residual Voltage	6-1
	[B] Flashing the Field	6-1
	[C] Voltage Regulator Test	6-1
	[D] Voltage Regulator Replacement	6-3
	[E] Testing Rotating Rectifiers	6-3
	[F] Testing Exciter Stator	6-4
	[G] Testing Exciter Rotor	6-5
	[H] Testing Generator Stator	6-6
	[I] Testing Generator Rotor	6-6
	[J] Wiring Harness Check	6-7
	[K] Voltage Adjustment	6-7
	[L] Reconnection	6-9
7	EXHAUST SYSTEM	7-1
	General	7-1
	Description and Failure Modes	7-3
	Service	7-3
8	COOLING SYSTEM	8-1
	Description	8-1
	Coolant	8-2
	Components	8-5
	Raw Water Pump Maintenance	8-6
	12 VDC CONTROL WIRING DIAGRAM	A-1
	12 VDC CONTROL WIRING SCHEMATIC	A-2
	24 VDC CONTROL WIRING DIAGRAM	A-3
	24 VDC CONTROL WIRING SCHEMATIC	A-4
	SINGLE-PHASE AC WIRING DIAGRAMS	A-5
	THREE-PHASE AC WIRING DIAGRAMS	A-6

BUY NOW

**Then Instant Download
the Complete Manual
Thank you very much!**