

PARTS MANUAL

**S6.00-7.00XL
(C024)**

CUSTOMER EDITION

HYSTER

SECTIONS

1	FRAME
2	ENGINES
3	FUEL SYSTEM
4	ELECTRICAL SYSTEM
5	TRANSMISSION
6	STEERING SYSTEM
7	BRAKE SYSTEM
8	HYDRAULIC SYSTEM
9	MAST-TWO STAGE LIMITED FREE-LIFT
10	MAST-THREE STAGE FULL FREE-LIFT
11	OPTIONS
12	NUMERICAL INDEX

This Parts Manual is divided into 12 major sections which are listed above. Quick reference to these sections can be made by placing the right thumb on the tab of the desired section, bending the book back and thumbing the pages to the corresponding tab.

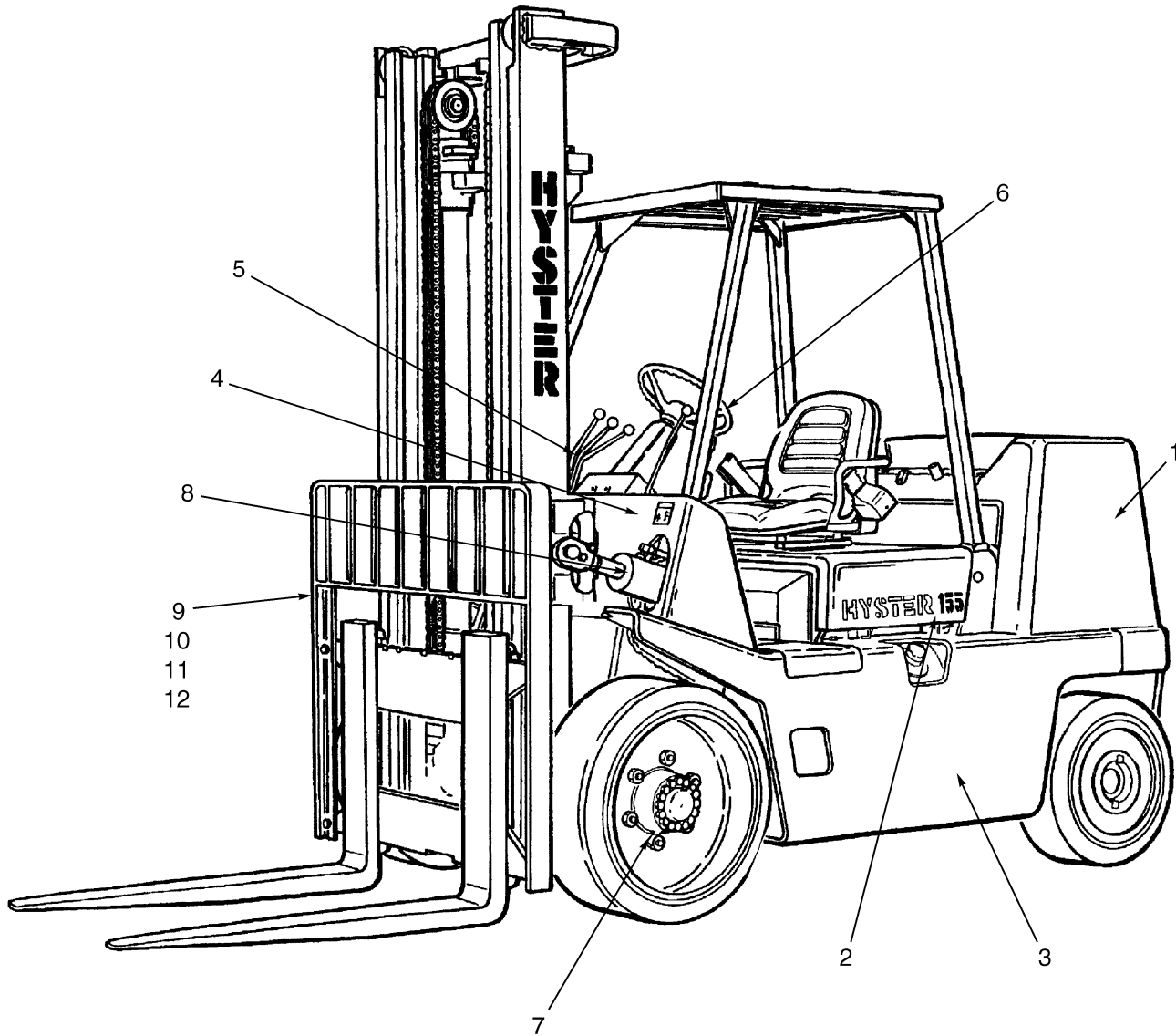
1

FRAME

SECTION 1
FRAME

DESCRIPTION	PAGE
COUNTERWEIGHT	1-8
COWL AND FLOOR PLATES	1-10
FORK.....	1-28
FULL SUSPENSION SEAT	
PENDING PER ECN 74932⇒	1-22
SHEET 1 OF 2	
⇒PENDING PER ECN 74932	1-18
SHEET 2 OF 2	
⇒PENDING PER ECN 74932	1-20
GENERAL TRUCK	1-2
HOOD.....	1-6
LABELS.....	1-5
LOAD BACKREST EXTENSION.....	1-26
NON-SUSPENSION SEAT	
PENDING PER ECN 74932⇒	1-16
OVERHEAD GUARD.....	1-25
SEAT	
STANDARD WITH OPERATOR RESTRAINT	
DIESEL TIER II	
⇒PENDING PER ECN 74932	1-14
LPG	
⇒PENDING PER ECN 74932	1-12
SEAT MOUNTING	
FULL SUSPENSION	
⇒PENDING PER ECN 74932	1-24

GENERAL TRUCK (Figure 1-1)

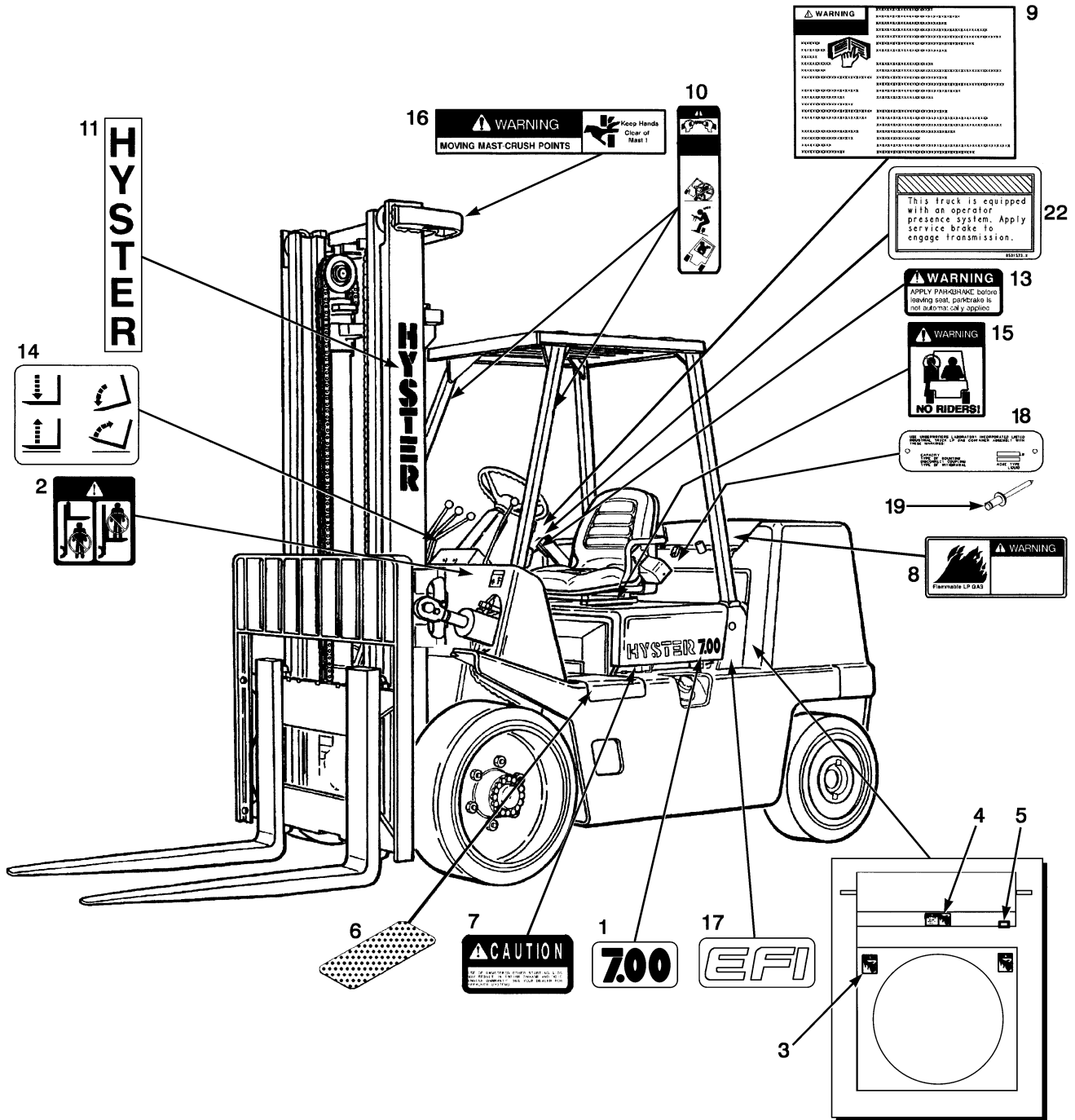


HP120704

GENERAL TRUCK

ITEM	PART NO.	DESCRIPTION	QTY
1	COUNTERWEIGHT (☞ Figure 1-4)	1
2	ENGINE(S) (☞ Figure 2-10, ☞ Figure 2-18)	1
3	FUEL SYSTEM (☞ Figure 3-7, ☞ Figure 3-3)	1
4	ELECTRICAL SYSTEM (☞ Figure 4-2, ☞ Figure 4-4)	1
5	TRANSMISSION (☞ Figure 5-1)	1
6	STEERING SYSTEM (☞ Figure 6-2)	1
7	BRAKE SYSTEM (☞ Figure 7-3)	1
8	HYDRAULIC SYSTEM (☞ Figure 8-1)	1
9	MAST-TWO STAGE LIMITED FREE-LIFT (☞ Figure 9-1)	1
10	MAST-THREE STAGE FULL FREE-LIFT (☞ Figure 10-1)	1
11	OPTIONS (☞ Figure 11-1)	1
12	CARRIAGE (☞ Figure 9-5, ☞ Figure 10-8)	1

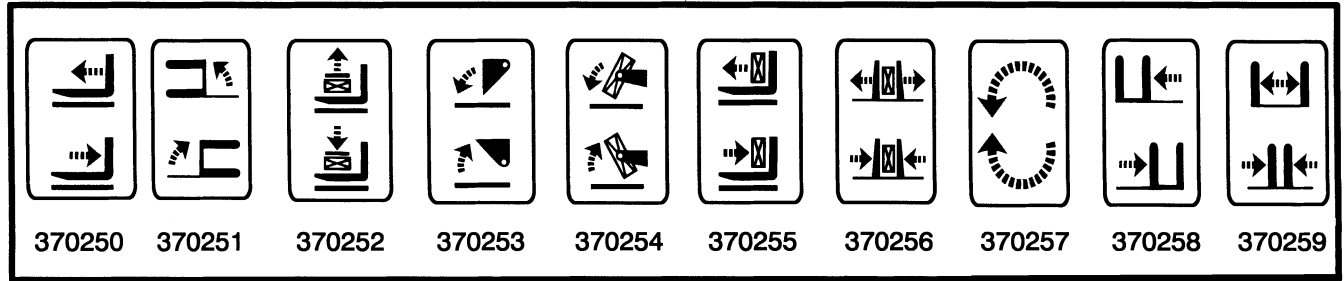
LABELS (Figure 1-2)



HP120724

LABELS

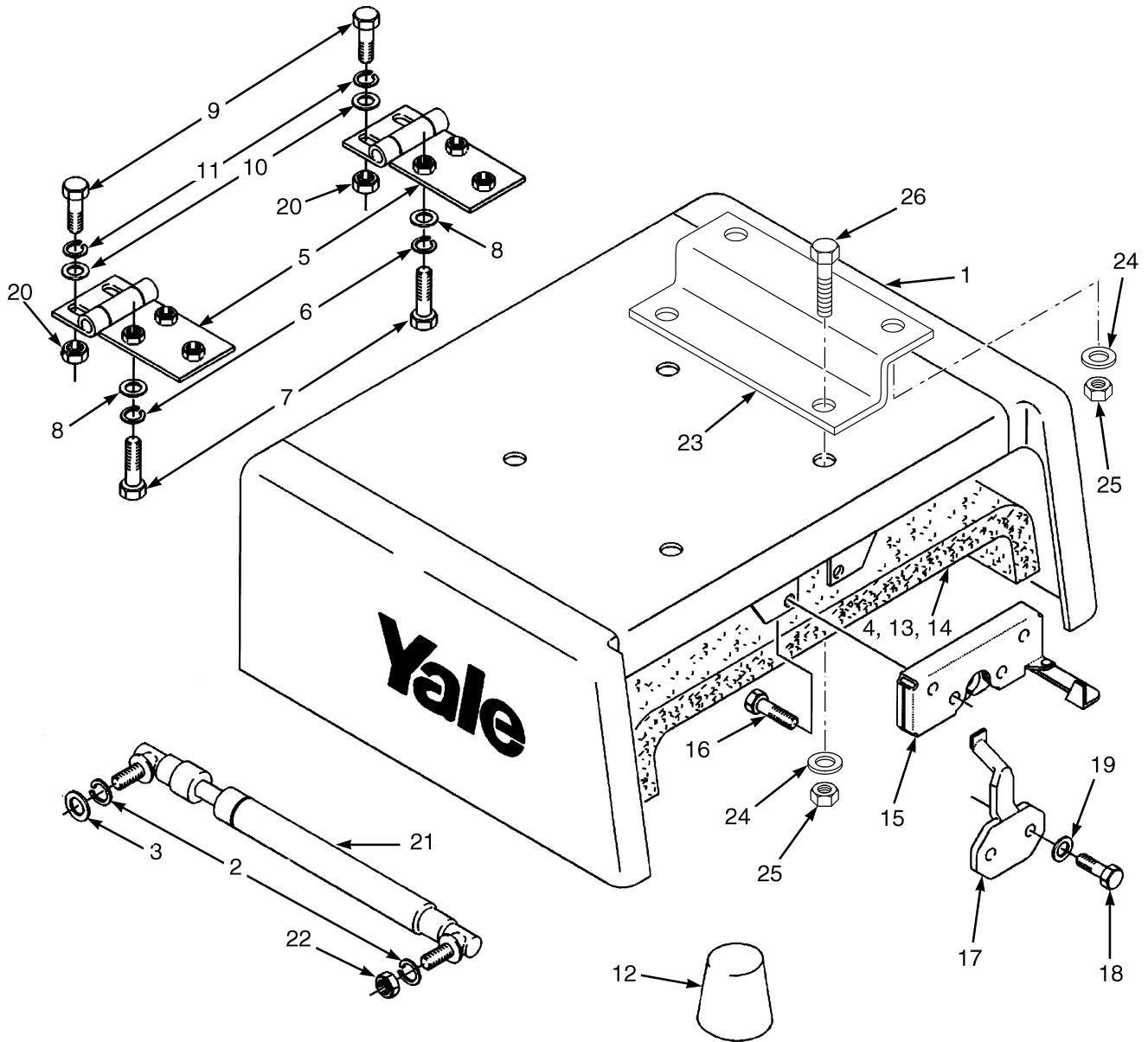
12



HP120049

ITEM	PART NO.	DESCRIPTION	QTY
1	380335	Label (Model 6.00).....	2
1	380336	Label (Model 7.00).....	2
2	1339830	Label (Mast Warning)	2
3	1300094	Label (Fan Warning)	2
4	1345926	Label (Fan Warning)	1
5	1354165	Label (Anti-freeze)	1
6	1308608	Floormat	1
7	2034459	Label (Ether Warning).....	1
8	1316445	Label (Flammable LP Gas).....	1
9	1366725	Label (Operator Warning).....	1
10	1359588	Label (Operator Restraint).....	2
11	1344132	Label (Hyster)	2
11	1345836	Label (Hyster)	2
12	370250	Label (Auxiliary Function - Reach)	1
12	370251	Label (Auxiliary Function - Swing)	1
12	370252	Label (Auxiliary Function - Stabilizer)	1
12	370253	Label (Auxiliary Function - Dump/Scoop)	1
12	370254	Label (Auxiliary Function - Upender)	1
12	370255	Label (Auxiliary Function - Push/Pull).....	1
12	370256	Label (Auxiliary Function - Clamp)	1
12	370257	Label (Auxiliary Function - Rotate)	1
12	370258	Label (Auxiliary Function - Side-Shift)	1
12	370259	Label (Auxiliary Function - Fork Spreader).....	1
13	1357001	Label (Park Brake Warning).....	1
14	369573	Label (Lift/Tilt).....	1
15	1339828	Label (No Riders)	2
16	1343276	Label (Mast Warning)	1
17	1345998	Label (EFI).....	2
18	1501259	Label (LPG Tank).....	1
19	170658	Rivet.....	2
19	340044	Gripnail (Optional)	2
20	2080140	Label Operator Presence System.....	1
	320037	Label (Patent Plate) (Not Illustrated)	1
	170658	Rivet (Not Illustrated)	4

HOOD (Figure 1-3)



HP120892

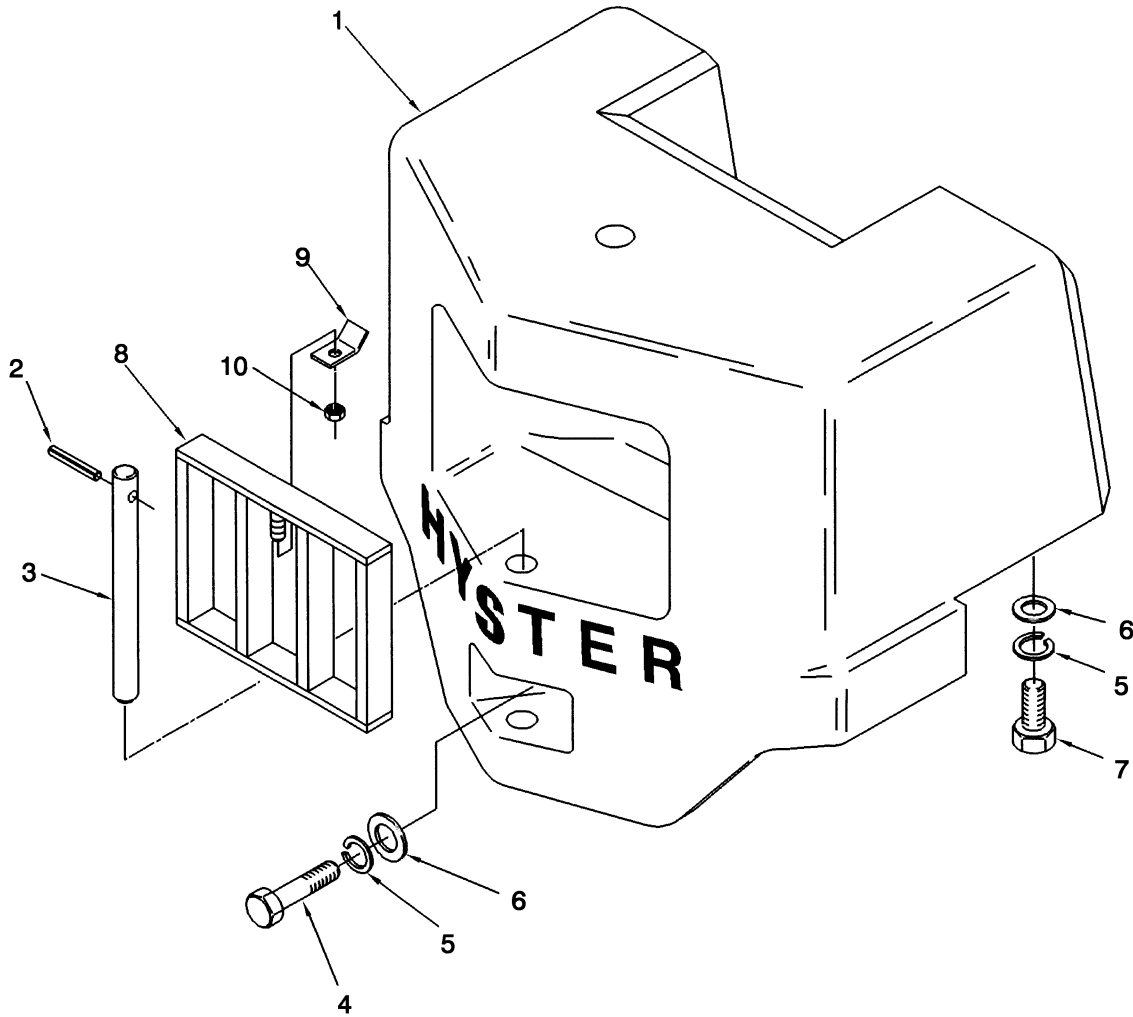
HOOD

ITEM	PART NO.	DESCRIPTION	QTY
1	c 1386222	Hood	1
1	d 1611189	Hood	1
1	c 1562344	Hood (Vented).....	1
1	d 1611190	Hood (Vented).....	1
2	292681	Lockwasher.....	12
3	320157	Washer	5
4	353191	Tape (54.9 m [180 ft.])	AR
5	1331039	Hinge	2
6	292681	Lockwasher.....	6
7	136681	Capscrew.....	10
8	1300117	Washer	6
9	136985	Capscrew.....	4
10	320157	Washer	4
11	292681	Lockwasher.....	4
12	1320610	Bumper	2
13	1456793	Hood Liner	1
14	1304971	Fastener (Not Illustrated)	13
15	364857	Latch	1
16	199563	Capscrew.....	4
17	364861	Plate (Striker).....	1
18	302334	Capscrew.....	2
19	320160	Washer	2
20	239503	Nut	4
21	a 353021	Gas Spring.....	1
22	303117	Nut	1
23	bd 1602917	Bracket.....	1
24	bd 15175	Washer	4
25	bd 145639	Nut	4
26	bd 16836	Capscrew.....	2

FOOTNOTES:

- a** Trucks with full suspension seats use two gas springs and hardware
b With Full Suspension Seat
c ⇒ PENDING PER ECN 74932
d PENDING PER ECN 74932 ⇒

COUNTERWEIGHT (Figure 1-4)

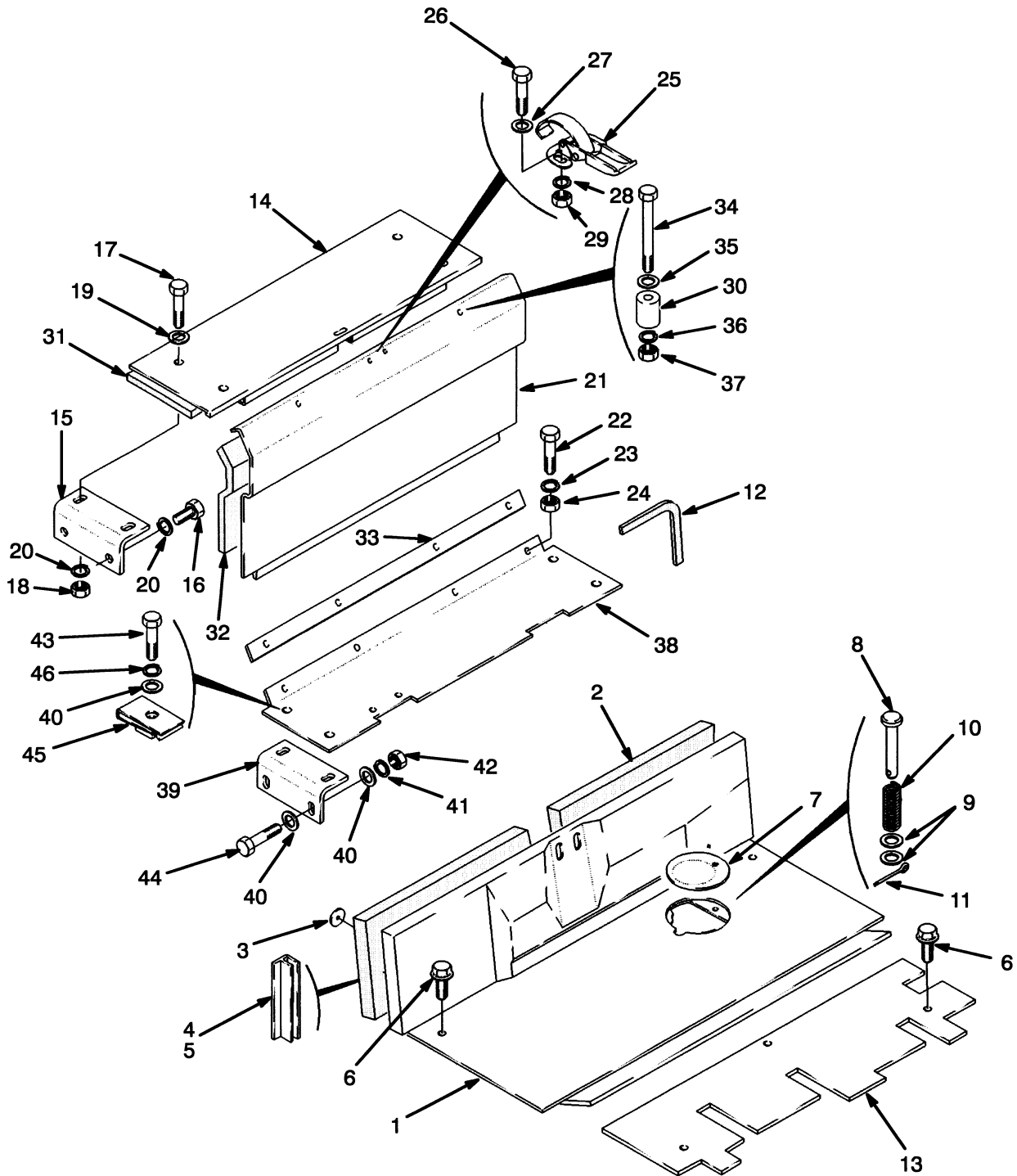


HP120697

COUNTERWEIGHT**KEY:****A: S6.00XL****B: S7.00XL**

ITEM	PART NO.	DESCRIPTION	QTY	
			A	B
1	360138	Counterweight	1	..
1	360139	Counterweight	1
2	302492	Pin	1	1
3	387473	Tow Pin	1	1
4	17395	Capscrew.....	1	1
5	15168	Lockwasher.....	3	3
6	149531	Washer	3	3
7	221100	Capscrew.....	2	2
8	1320109	Grill	1	1
9	270405	Bracket.....	1	1
10	264144	Nut	1	1

COWL AND FLOOR PLATES (Figure 1-5)

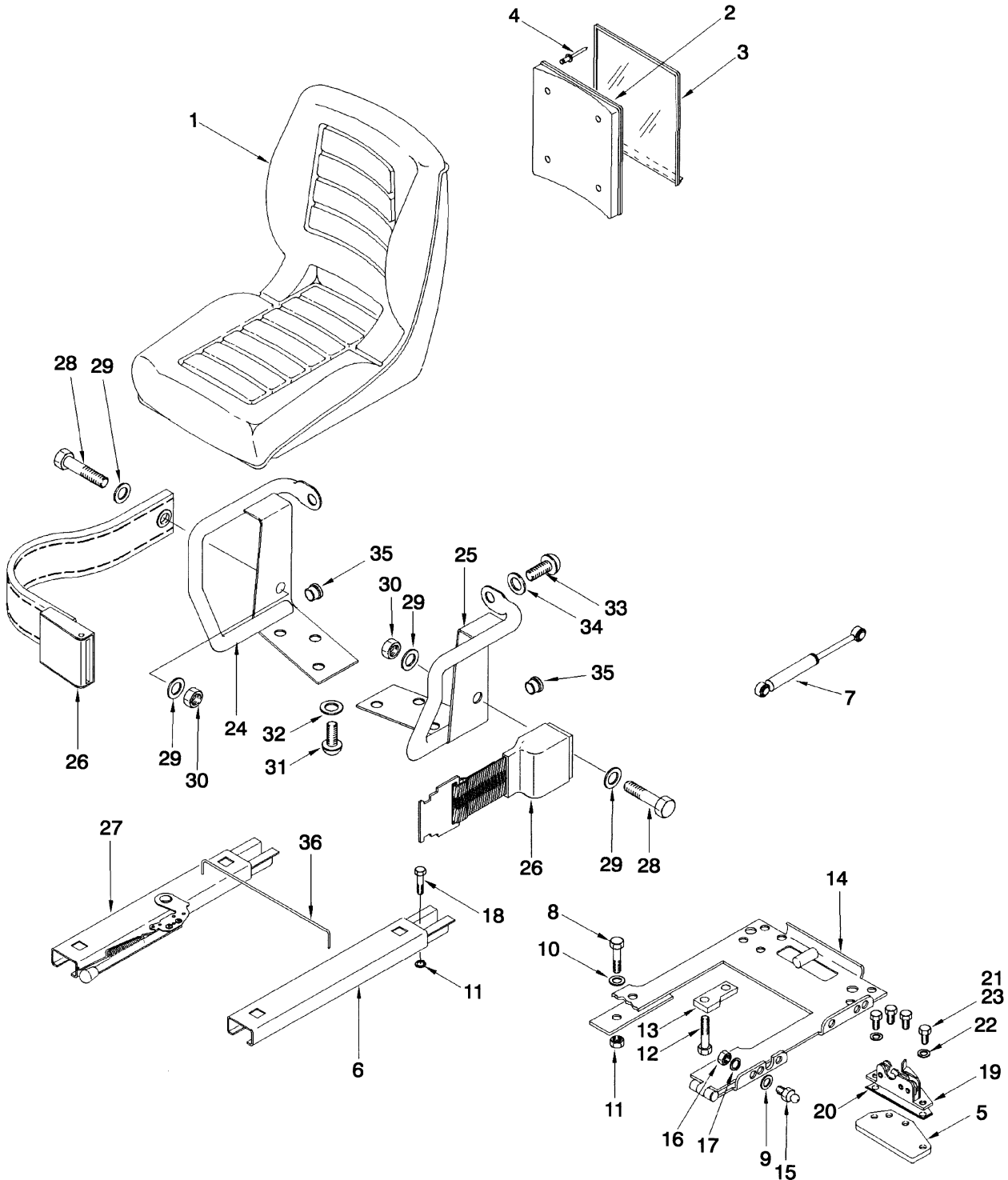


HP120052

COWL AND FLOOR PLATES

ITEM	PART NO.	DESCRIPTION	QTY
1	1303142	Floorplate.....	1
2	364926	Liner.....	1
3	246788	Washer	6
4	353204	Trim	AR
5	288394	Sealant	AR
6	1315402	Screw.....	5
7	313815	Plate	1
7	352939	Cover	1
8	177590	Rod End Pin	1
9	320157	Washer	2
10	137122	Spring	1
11	15212	Cotter Pin.....	1
12	288762	Tape	AR
13	1467733	Floorplate.....	1
14	1303187	Cover	1
15	1308607	Bracket.....	2
16	292514	Capscrew.....	4
17	136985	Capscrew.....	4
18	136692	Nut	4
19	320160	Washer	AR
20	292682	Lockwasher.....	8
21	360174	Door	1
22	296161	Capscrew.....	4
23	292680	Lockwasher.....	4
24	136687	Nut	4
25	1303185	Latch	1
26	296152	Capscrew.....	2
27	320155	Washer	2
28	292679	Lockwasher.....	2
29	292668	Nut	2
30	1303149	Stop	2
31	1303189	Liner (Top)	1
32	1303190	Liner (Door)	1
33	1303184	Spacer	1
34	18126	Capscrew.....	2
35	15127	Washer	2
36	15154	Lockwasher.....	2
37	15054	Nut	2
38	360597	Plate	1
39	360596	Bracket.....	3
40	320160	Washer	12
41	292682	Lockwasher.....	4
42	136692	Nut	4
43	16805	Capscrew.....	4
44	292517	Capscrew.....	4
45	269200	Nut	4
46	15156	Lockwasher.....	4

SEAT (Figure 1-6) STANDARD WITH OPERATOR RESTRAINT LPG (⇒PENDING PER ECN 74932)

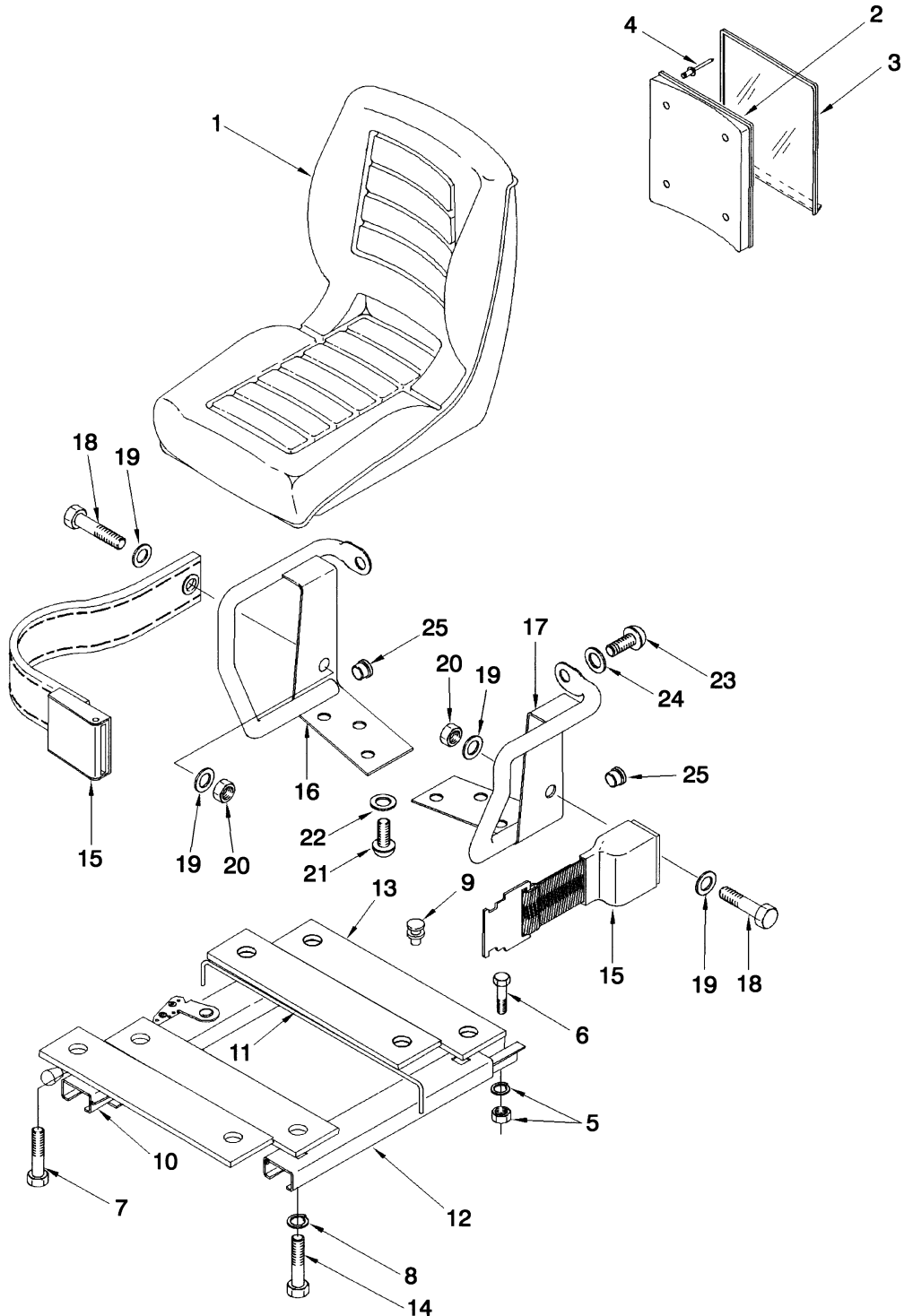


HP120429

SEAT
STANDARD WITH OPERATOR RESTRAINT
LPG
(⇒PENDING PER ECN 74932)

ITEM	PART NO.	DESCRIPTION	QTY
1	364911	Seat	1
2	335988	Base	1
3	335991	Cover	1
4	222029	Rivet.....	4
5	1346321	Plate	1
6	1300108	Seat Rail (LH).....	1
7	1377992	Gas Spring.....	1
8	16374	Capscrew.....	4
9	320157	Washer	2
10	15175	Washer	4
11	145639	Nut	8
12	309637	Screw.....	4
13	306187	Bumper	2
14	1483964	Hinge	1
15	379190	Ball Stud	2
16	329069	Nut	2
17	292681	Lockwasher.....	2
18	16374	Capscrew.....	4
19	1304957	Latch.....	1
20	364940	Shim	3
21	221418	Capscrew.....	4
22	15127	Washer	2
23	251099	Adhesive	AR
24	364807	Hip Restraint (RH)	1
25	364808	Hip Restraint (LH).....	1
26	1374750	Seat Belt	1
27	383116	Seat Rail (RH)	1
28	379199	Capscrew.....	2
29	379697	Washer	4
30	379698	Nut	2
31	18727	Capscrew.....	4
32	18515	Washer	4
33	379197	Capscrew.....	2
34	379198	Washer	2
35	364854	Plug	2
36	1300107	Rod	1

SEAT (Figure 1-7) STANDARD WITH OPERATOR RESTRAINT DIESEL TIER II (⇒PENDING PER ECN 74932)

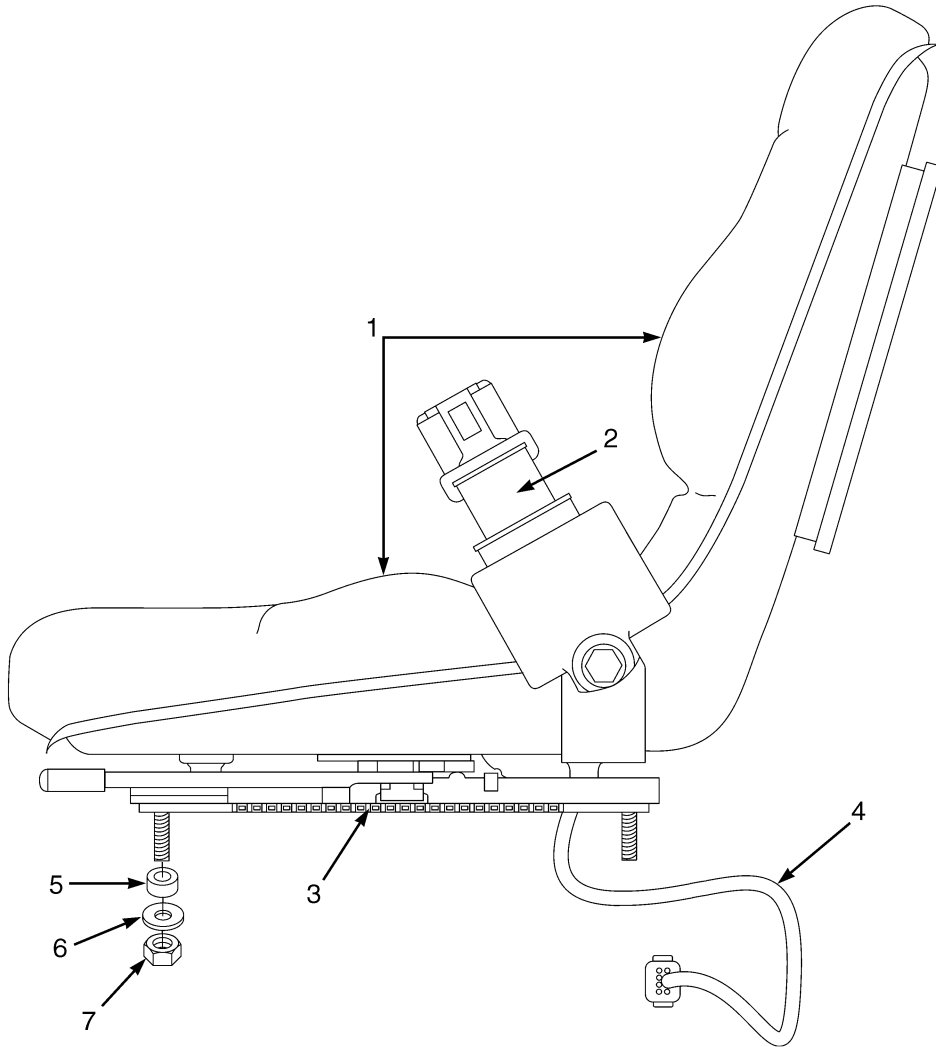


HP120054

SEAT
STANDARD WITH OPERATOR RESTRAINT
DIESEL TIER II
(⇒PENDING PER ECN 74932)

ITEM	PART NO.	DESCRIPTION	QTY
1	364911	Seat	1
2	335988	Base	1
3	335991	Cover	1
4	222029	Rivet.....	4
5	145639	Nut	4
5	15175	Washer	4
6	16374	Capscrew.....	4
7	178598	Capscrew.....	4
8	15155	Lockwasher.....	4
9	1307737	Fastener.....	4
10	1300108	Seat Rail (LH).....	1
11	1300107	Rod	1
12	383116	Seat Rail (RH)	1
13	353731	Plate	2
14	186261	Capscrew.....	4
15	1374750	Seat Belt.....	1
16	364807	Hip Restraint (RH)	1
17	364808	Hip Restraint (LH).....	1
18	379199	Capscrew.....	2
19	379697	Washer	4
20	379698	Nut	2
21	18727	Capscrew.....	4
22	18515	Washer	4
23	379197	Capscrew.....	2
24	379198	Washer	2
25	364854	Plug	2

NON-SUSPENSION SEAT (Figure 1-8) (PENDING PER ECN 74932⇒)



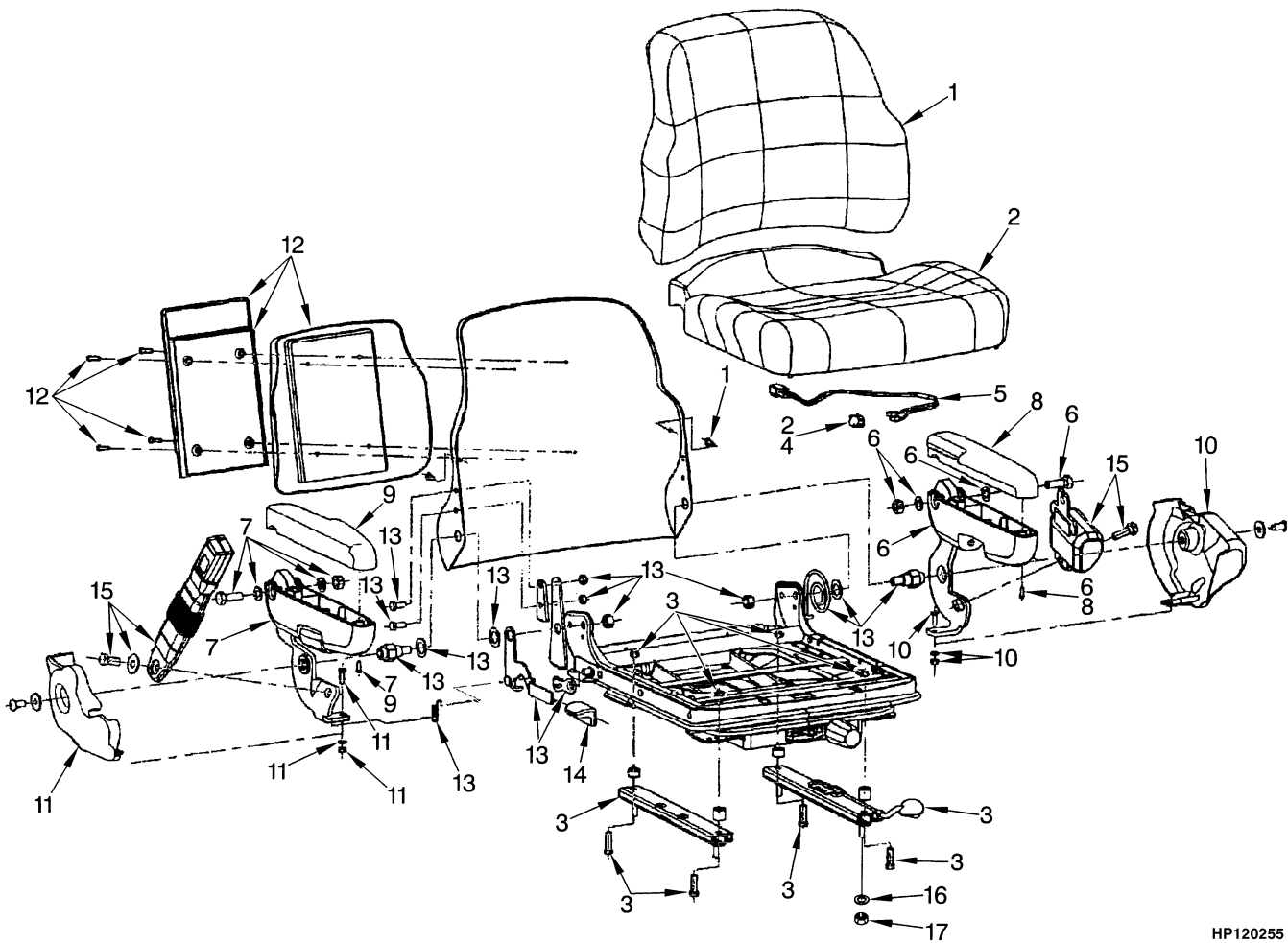
BP120183

**NON-SUSPENSION SEAT
(PENDING PER ECN 74932⇒)**

ITEM	PART NO.	DESCRIPTION	QTY
	1593409	Non-Suspension Seat (Vinyl).....	1
1	1563351	Cushions (Vinyl)	1
	a 1563215	Sensor (Operator Presence)	1
2	1598504	Seat Belt Kit.....	1
3	1459173	Slide Kit	1
4	2075429	Wire Harness	1
5	1484643	Spacer	4
6	15158	Lockwasher.....	4
7	1488609	Special Nut	4

FOOTNOTES:**a** Not Illustrated

FULL SUSPENSION SEAT (Figure 1-9) SHEET 1 OF 2 (⇒PENDING PER ECN 74932)

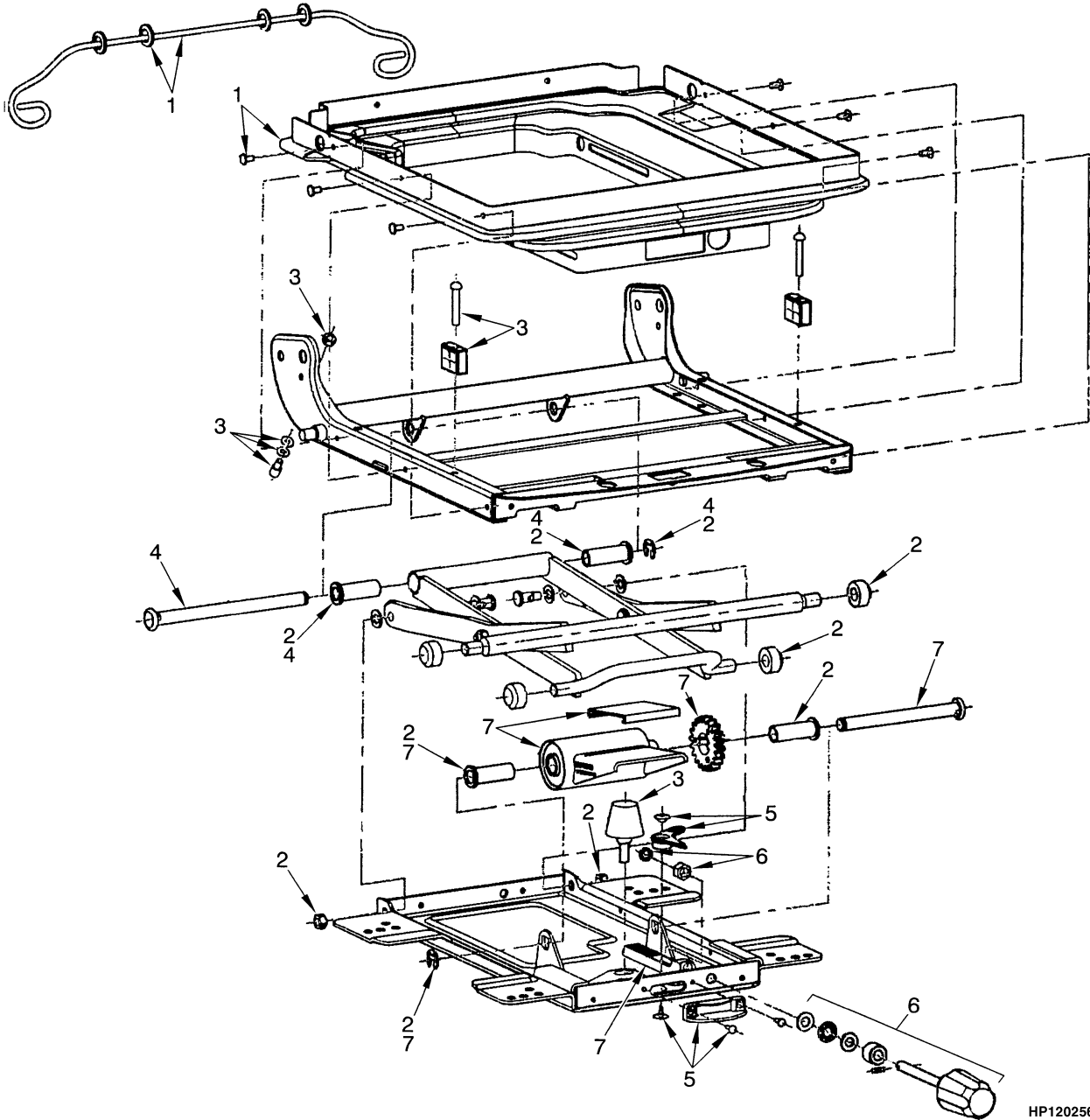


HP120255

**FULL SUSPENSION SEAT
SHEET 1 OF 2
(=>PENDING PER ECN 74932)**

ITEM	PART NO.	DESCRIPTION	QTY
	1466006	Full Suspension Seat (Vinyl Cover)	1
	1466007	Full Suspension Seat (Fabric Cover)	1
1	1467533	Back Cushion (Vinyl)	1
1	1467535	Back Cushion (Fabric)	1
2	1494076	Seat Cushion (Vinyl).....	1
2	1467536	Seat Cushion (Fabric)	1
3	1467513	Slider Kit	1
4	1467514	Switch (Seat)	1
5	1467515	Wire Harness	1
6	1467516	Armrest (LH) (LH).....	1
7	1467517	Armrest (RH) (RH)	1
8	1467518	Cap (LH).....	1
9	1467519	Cap (RH)	1
10	1467520	Cover (LH)	1
11	1467521	Cover (RH)	1
12	1467522	Holder Kit.....	1
13	1467530	Recliner Kit.....	1
14	1467531	Recliner Knob.....	1
15	1467532	Seat Belt Kit.....	1
16	15175	Washer	4
17	145639	Nut	4

FULL SUSPENSION SEAT (Figure 1-10) SHEET 2 OF 2 (⇒PENDING PER ECN 74932)

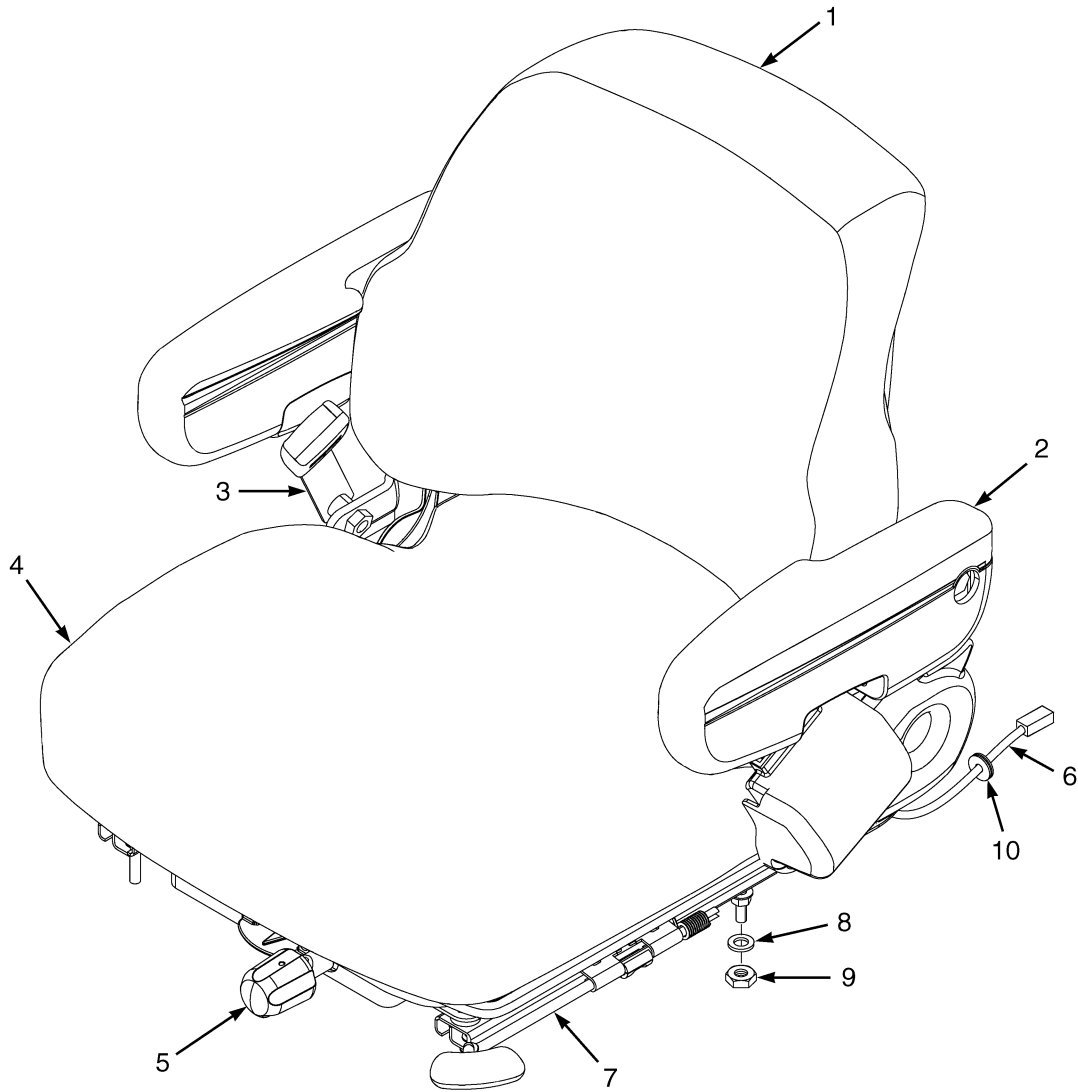


HP120256

**FULL SUSPENSION SEAT
SHEET 2 OF 2
(⇒PENDING PER ECN 74932)**

ITEM	PART NO.	DESCRIPTION	QTY
	1466006	Full Suspension Seat (Vinyl Cover)	1
	1466007	Full Suspension Seat (Fabric Cover)	1
1	1467523	Boot Kit.....	1
2	1467524	Roller and Bearing Kit	1
3	1467525	Bumper and Stop Kit	1
4	1467526	Bearing Shaft Kit	1
5	1467527	Weight Adjuster Indicator Kit	1
6	1467528	Knob Kit.....	1
7	1467529	Suspension Spring Kit.....	1

FULL SUSPENSION SEAT (Figure 1-11) (PENDING PER ECN 74932⇒)



BP120178

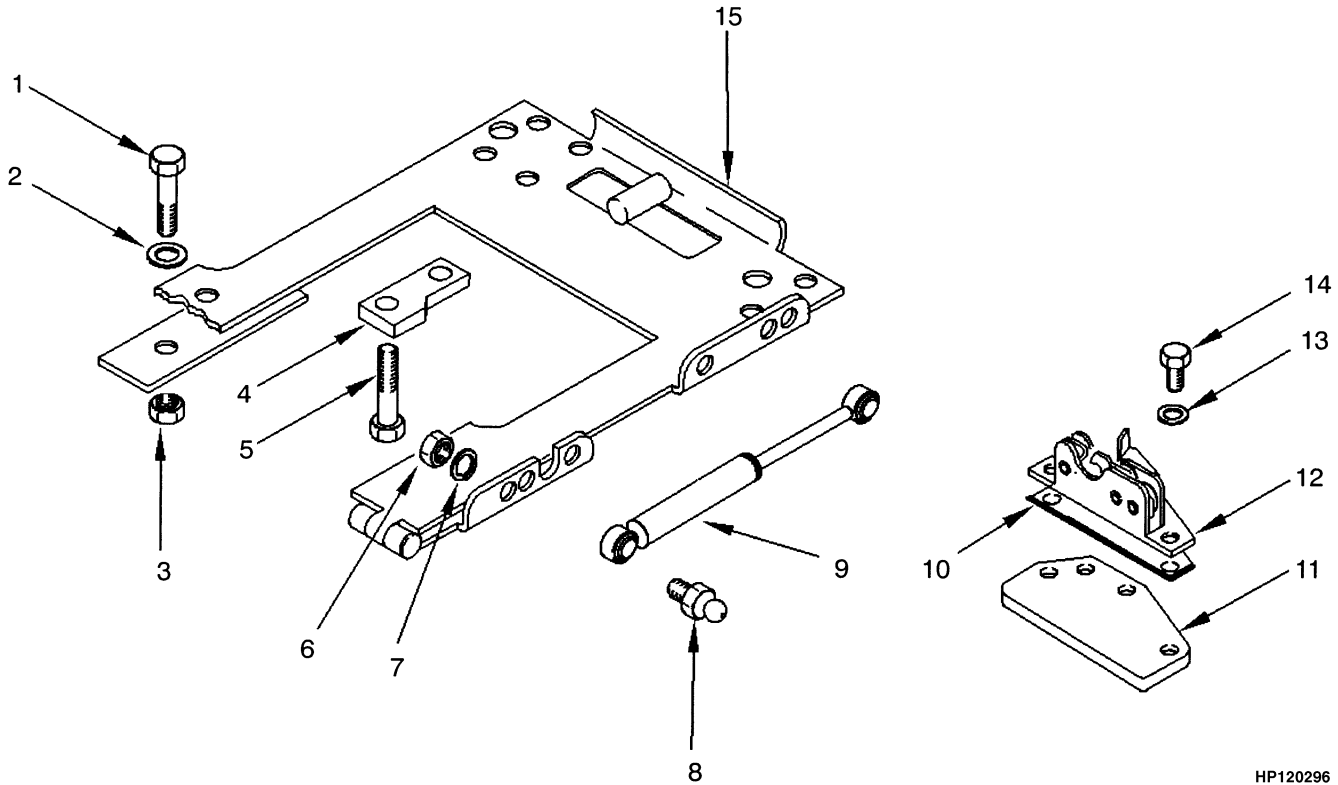
**FULL SUSPENSION SEAT
(PENDING PER ECN 74932⇒)**

ITEM	PART NO.	DESCRIPTION	QTY
	1593413	Full Suspension Seat (Vinyl).....	1
1	1470152	Back Cushion (Vinyl) (Vinyl).....	1
2	1563230	Arm Cushion (LH)	1
2	1563231	Arm Cushion (RH).....	1
3	1598504	Seat Belt Kit.....	1
4	1563207	Seat Cushion (Vinyl).....	1
5	1470163	Weight Adjuster Kit.....	1
6	2075429	Wire Harness	1
7	1470161	Slide Kit	1
8	1484643	Spacer	2
9	15175	Washer	4
10	145639	Nut	4
	a 1483828	Shock Kit.....	1
	a 1563208	Sensor (Operator Presence).....	1

FOOTNOTES:

a Not Illustrated

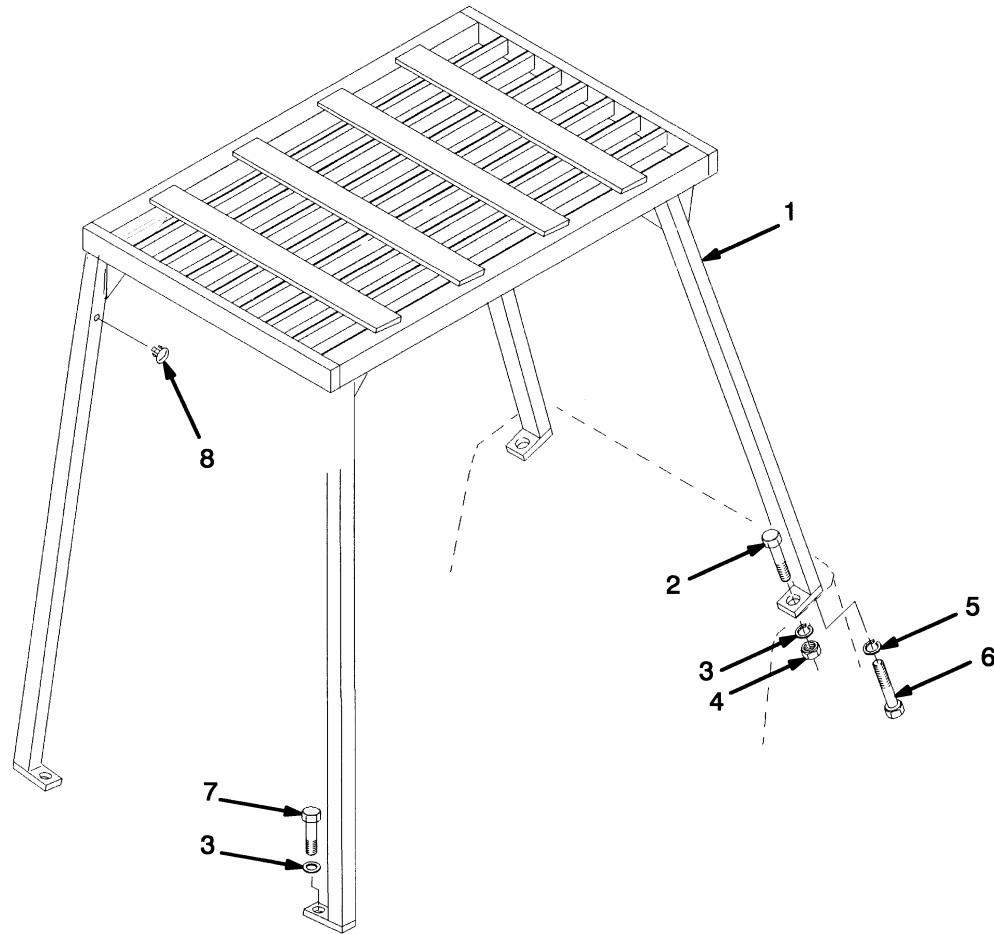
SEAT MOUNTING (Figure 1-12) FULL SUSPENSION (⇒PENDING PER ECN 74932)



HP120296

ITEM	PART NO.	DESCRIPTION	QTY
1	16374	Capscrew	4
2	15175	Washer	4
3	145639	Nut	4
4	306187	Bumper	2
5	309637	Screw	4
6	329069	Nut	2
7	292681	Lockwasher	2
8	379190	Ball Stud	2
9	380320	Gas Spring	1
10	364940	Shim	1
11	1346321	Plate	1
12	1490365	Latch	1
13	15127	Washer	2
14	221418	Capscrew	4
15	1483964	Hinge	1

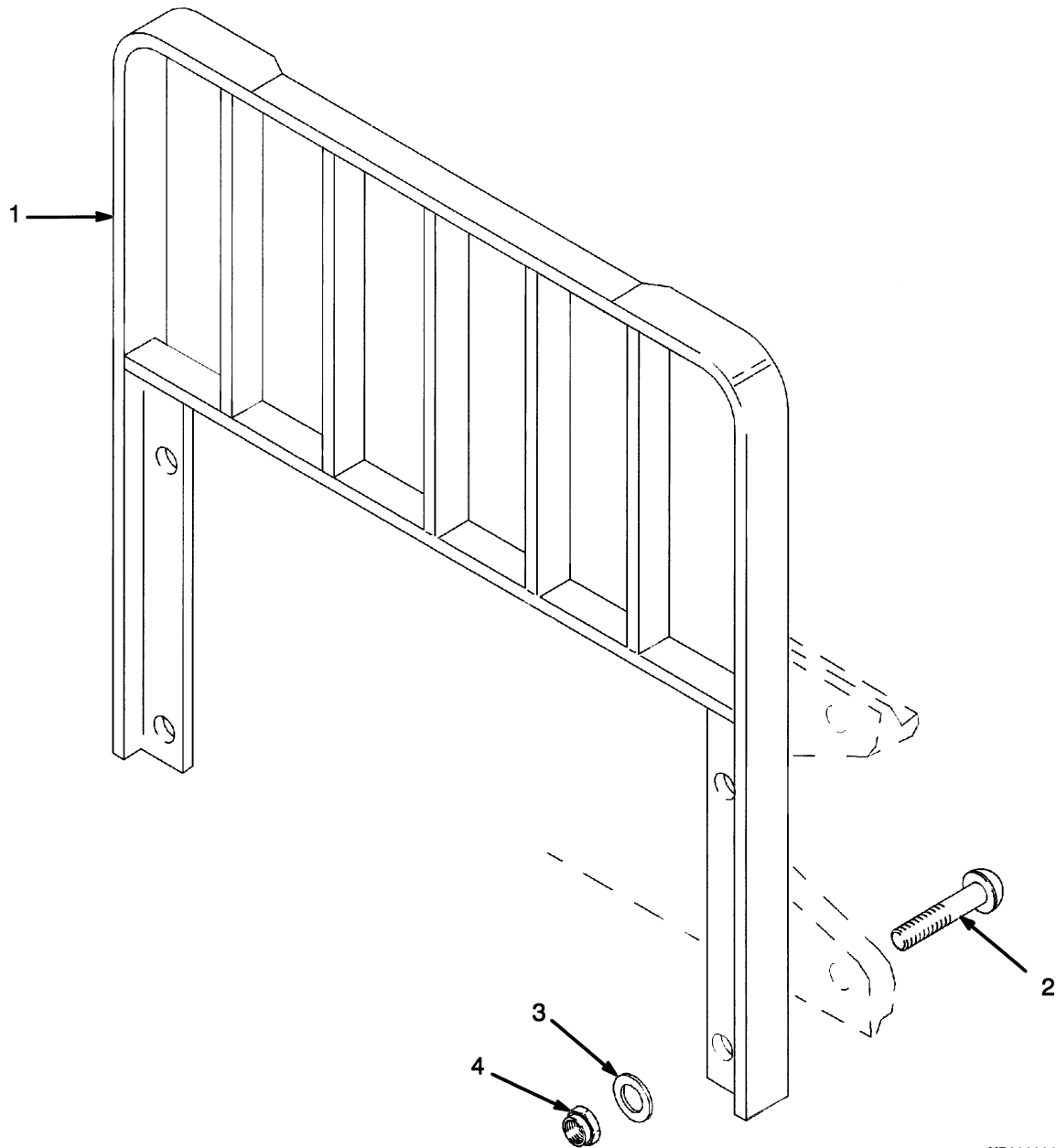
OVERHEAD GUARD (Figure 1-13)



HP120055

ITEM	PART NO.	DESCRIPTION	QTY
1	1309596	Overhead Guard (1839 mm Height)	1
1	1477372	Overhead Guard (2305 mm Height)	1
2	293647	Capscrew	2
3	292683	Lockwasher	4
4	216877	Nut	2
5	292685	Lockwasher	2
6	226458	Capscrew	2
7	293644	Capscrew	2
8	1332607	Plug	1

LOAD BACKREST EXTENSION (Figure 1-14)

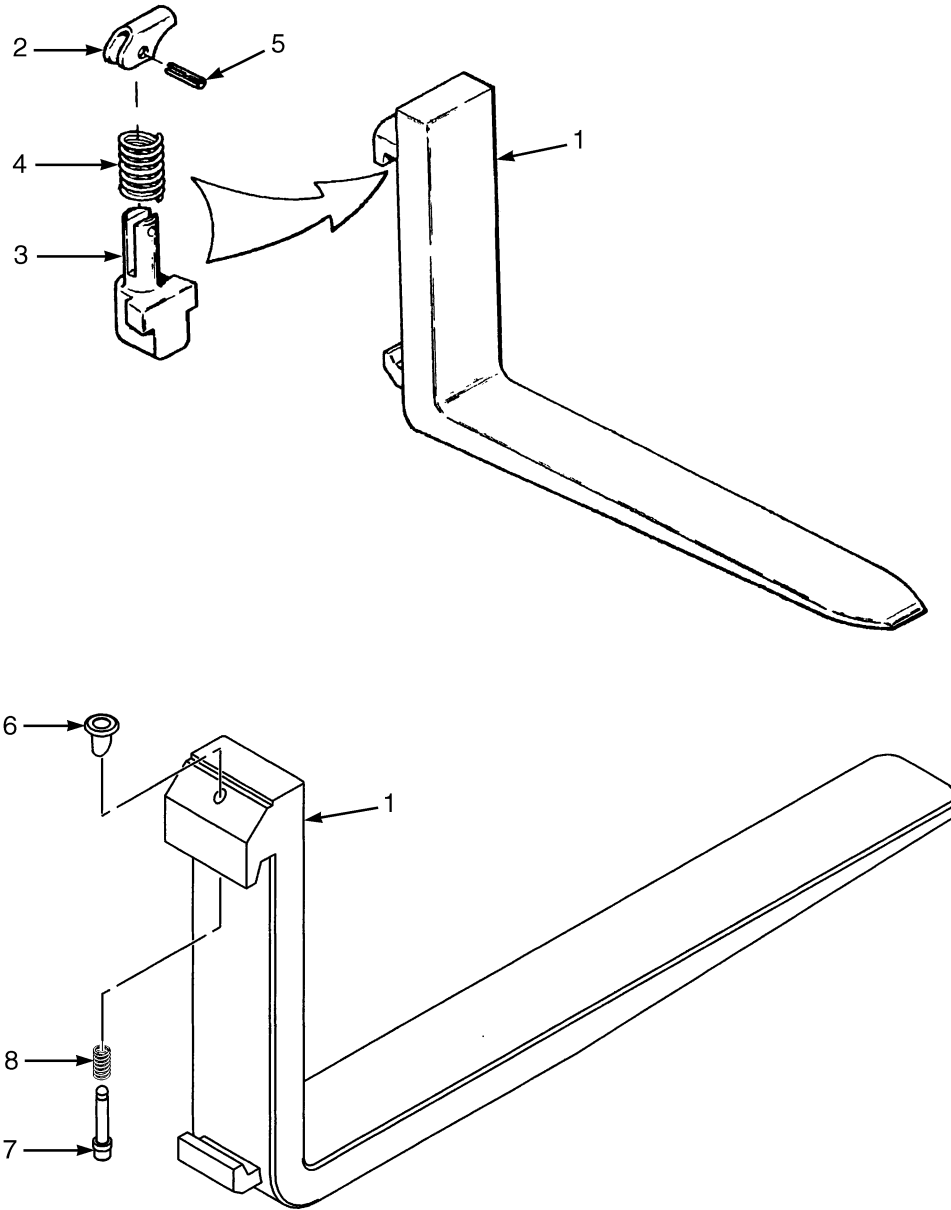


YP290001

LOAD BACKREST EXTENSION

ITEM	PART NO.	DESCRIPTION	QTY
1	294295	Load Backrest Extension (1219 mm).....	1
2	1354923	Capscrew.....	4
3	221771	Washer	4
3	296423	Washer (Optional).....	4
4	300937	Locknut	4

FORK (Figure 1-15)



HP290000

FORK

KEY:

A: Standard

B: Optional

ITEM	PART NO.	DESCRIPTION	QTY	
			A	B
1	1362229	Fork (1194 mm)	2	..
1	1362231	Fork (1295 mm)	2	..
1	1362233	Fork (1499 mm)	2	..
1	1362235	Fork (1803 mm)	2	..
1	1381806	Fork (1194 mm)	2
1	1381807	Fork (1295 mm)	2
1	1381809	Fork (1499 mm)	2
1	1381811	Fork (1800 mm)	2
2	1378763	Latch.....	..	1
3	1378761	Pin	1
4	1378762	Spring.....	..	1
5	302450	Pin	1
6	1523732	Knob.....	1	..
7	1523741	Pin	1	..
8	1500786	Spring.....	1	..
9	1523734	Retainer Pin (Not Illustrated)	1	..
	1500779	Latch Kit (Includes Items 2-5).....	..	1
	1523740	Latch Kit (Includes Items 2-5).....	..	1
	1378766	Latch Kit (Class III) (Includes Items 6-9)	1	..

BUY NOW

**Then Instant Download
the Complete Manual
Thank you very much!**