

PARTS MANUAL

CHALLENGER

H13.00-16.00XM-6

H10.00-12.00XM-12EC

(E019)

CUSTOMER EDITION

HYSTER

SECTIONS

1	FRAME
2	ENGINES
3	FUEL SYSTEM
4	ELECTRICAL SYSTEM
5	TRANSMISSION
6	DRIVE AXLE
7	STEERING SYSTEM
8	BRAKE SYSTEM
9	HYDRAULIC SYSTEM
10	MAST-TWO STAGE LIMITED FREE-LIFT
11	OPTIONS
12	NUMERICAL INDEX

This Parts Manual is divided into 12 major sections which are listed above. Quick reference to these sections can be made by placing the right thumb on the tab of the desired section, bending the book back and thumbing the pages to the corresponding tab.

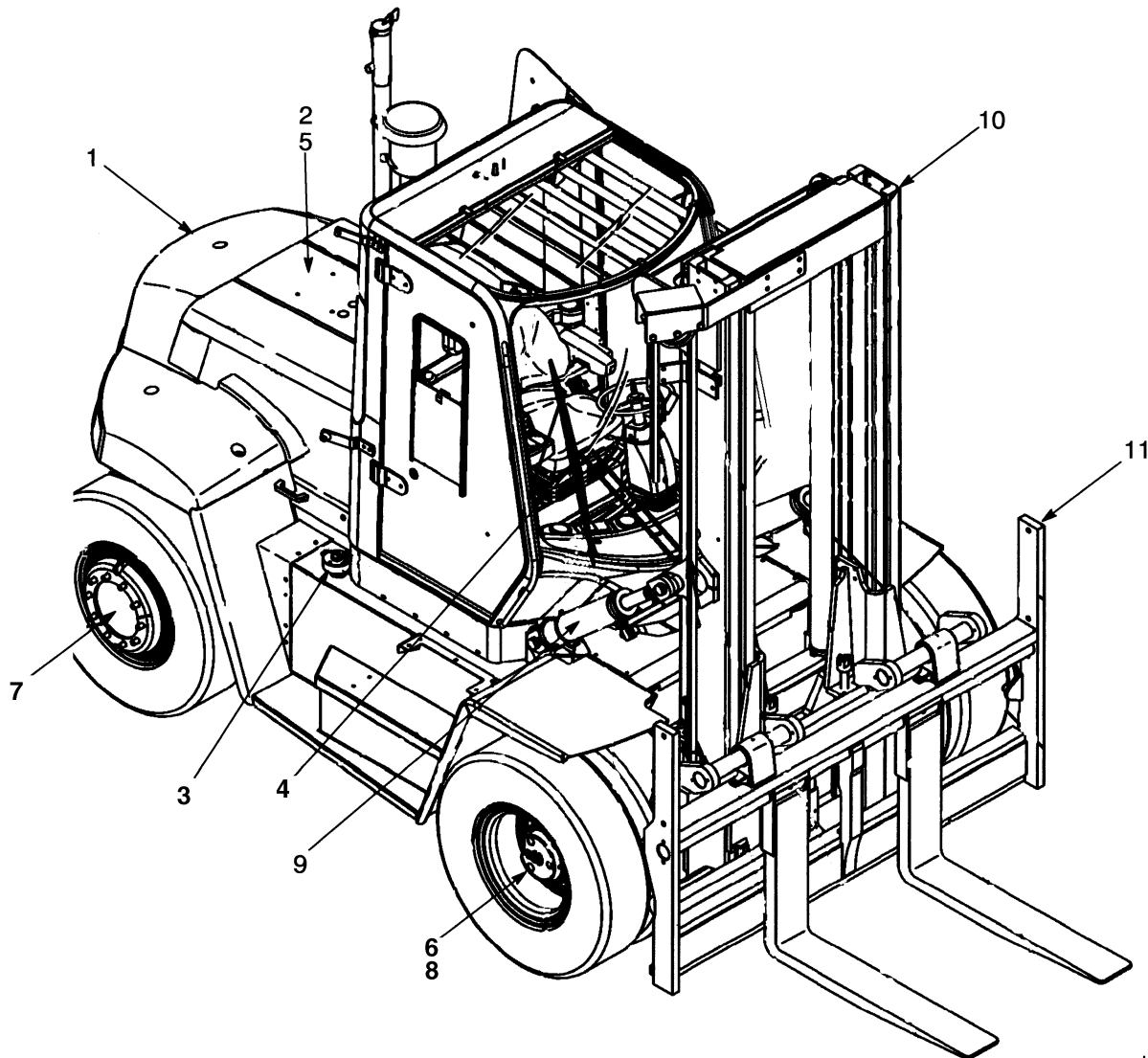
1

FRAME

SECTION 1
FRAME

DESCRIPTION	PAGE
AIR CONDITIONER	
PERKINS	1-42
AIR DUCT	
CAB.....	1-72
ARMREST	
PIVOT-UP	1-82
CAB AND ATTACHING PARTS	1-14
CAB AND TILT CYLINDER MOUNTING.....	1-30
CAB HARDWARE AND CONTROL COVER.....	1-66
CONDENSER.....	1-52
COUNTERWEIGHT	1-8
DASH DISPLAY	
CAB.....	1-74
DOOR	
GLASS.....	1-18
STEEL	
⇒S/N E019E02149B.....	1-22
ELECTRIC PUMP	1-38
FLOOR PLATES AND COVERS	
⇒S/N E019E01957A	1-10
S/N E019E01958A⇒	1-12
GENERAL TRUCK	1-2
HAND PUMP	
CAB TILT.....	1-36
HEATER AND AIR CONDITIONER.....	1-44
HEATER AND AIR CONDITIONER ASSEMBLY.....	1-50
HEATER AND AIR CONDITIONER ATTACHMENT	1-46
HEATER ARRANGEMENT	
PERKINS	1-40
HEATER ASSEMBLY	1-48
HOOD.....	1-4
HYDRAULIC CONTROL AND TWISTLOCK	
EMPTY CONATAINER HANDLER.....	1-78
INCHING PEDAL AND ACCESSORIES	
CAB.....	1-68
INDICATOR DISPLAY ASSEMBLY.....	1-76
LABELS.....	1-64
SEAT ASSEMBLY	
AIR.....	1-54
MECHANICAL	1-56
STEEL DOOR	
LEFT HAND	
S/N E019E02150B⇒.....	1-28
RIGHT HAND	
S/N E019E02150B⇒.....	1-26
TILT CYLINDER	
CAB.....	1-34
TRAINING SEAT	1-62
WINDOW WASHER AND ARMREST ASSEMBLY	1-80

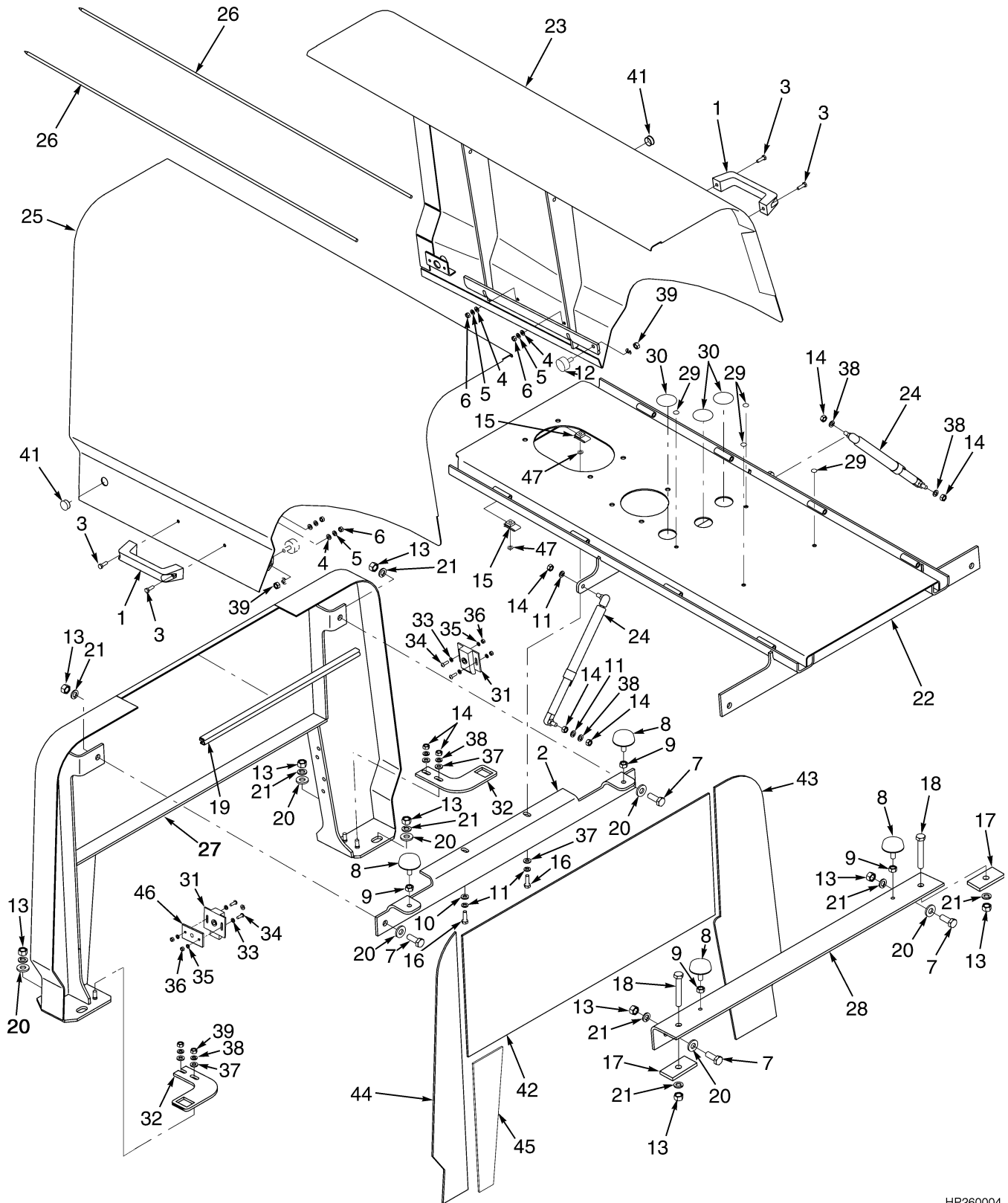
GENERAL TRUCK (Figure 1-1)



HP990022

ITEM	PART NO.	DESCRIPTION	QTY
1	Frame (☞ Figure 1-4)	1
2	Engine (☞ Figure 2-1)	1
3	Fuel System (☞ Figure 3-1)	1
4	Electrical System (☞ Figure 4-1)	1
5	Transmission (☞ Figure 5-4)	1
6	Drive Axle (☞ Figure 6-1)	1
7	Steering System (☞ Figure 7-1)	1
8	Brake System (☞ Figure 8-1)	1
9	Hydraulic System (☞ Figure 9-1)	1
10	Mast-Two Stage Limited Free-Lift (☞ Figure 10-1)	1
11	Optional (☞ Figure 11-1)	1
12	Numerical Index.....	1

HOOD (Figure 1-2)



HP260004

HOOD

ITEM	PART NO.	DESCRIPTION	QTY
1	362030	Handle	2
2	1477508	Bracket.....	1
3	292501	Capscrew.....	4
4	320156	Washer	4
5	292680	Lockwasher.....	4
6	136687	Nut	4
7	292528	Capscrew.....	4
8	1479870	Screw (Stop).....	4
9	136692	Nut	4
10	320157	Washer	2
11	292681	Lockwasher.....	4
12	1489092	Screw (Stop).....	2
13	216877	Nut	10
14	239503	Nut	4
15	376397	Nut	2
16	18498	Capscrew.....	2
17	1479871	Washer	2
18	292535	Capscrew.....	AR
19	300088	Seal (Door) (Door)	8
20	320162	Washer	8
21	292683	Lockwasher.....	10
22	1554208	Channel	1
23	1476910	Hood (RH)	1
24	1385584	Gas Spring.....	2
25	1476911	Hood (LH).....	1
26	1478959	Rod	2
27	1489401	Support.....	1
28	1477512	Bracket.....	1
29	1494868	Plug (Without Air Conditioner)	4
30	1494869	Plug (Without Air Conditioner)	3
31	1382332	Latch	2
32	1494480	Bracket.....	2
33	320155	Washer	4
34	296155	Capscrew.....	4
35	292679	Lockwasher.....	4
36	292668	Nut	4
37	320160	Washer	4
38	292682	Lockwasher.....	4
39	136692	Nut	4
40	a 1382766	Wrench	1
41	309666	Plug (Non-EEC).....	2
42	b 1489402	Liner.....	1
43	b 1488424	Liner (RH).....	1
44	b 1488715	Liner (LH).....	1
45	b 1488716	Liner.....	1
46	1494642	Shim	AR
46	1494643	Shim	AR

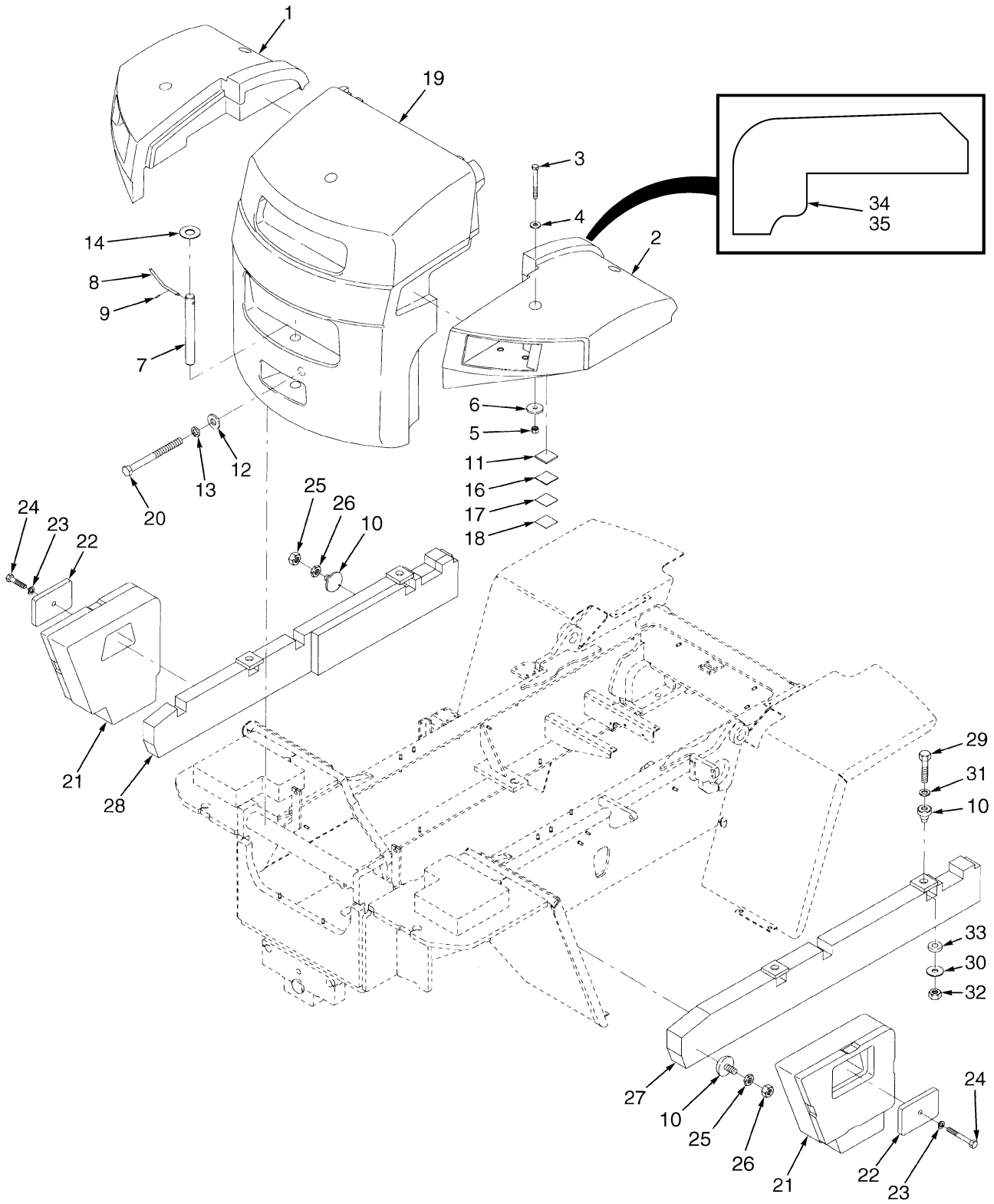
HOOD

ITEM	PART NO.	DESCRIPTION	QTY
46	1494645	Shim	AR
47	320158	Washer	AR

FOOTNOTES:

- a Not Illustrated
- b ⇒ S/N E019E-01957A

COUNTERWEIGHT (Figure 1-3)

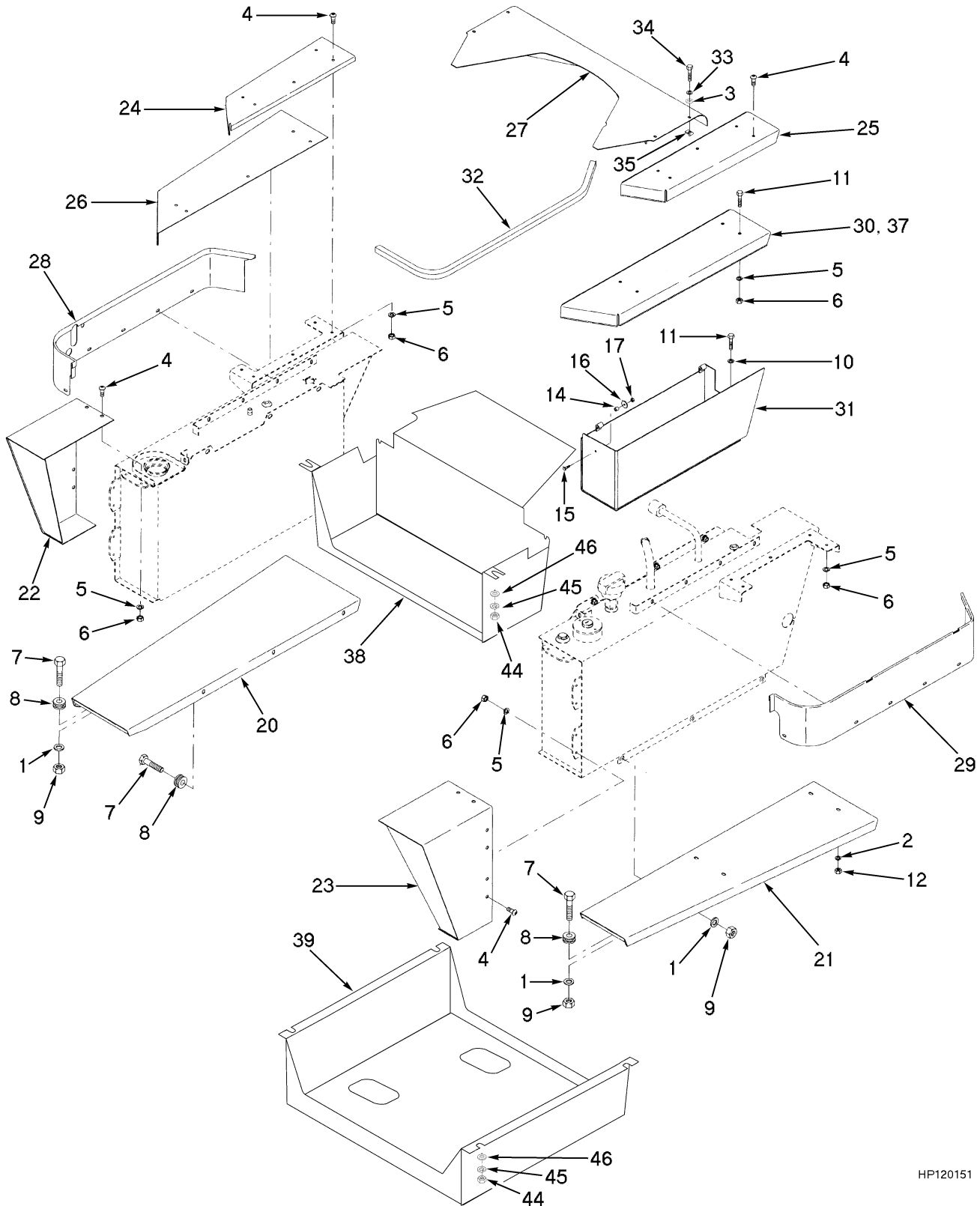


HP120578

COUNTERWEIGHT**KEY:****A: H13.00XM-14.00XM/H10.00-EC****B: H16.00XM/12.00-EC****C: H12.00-EC**

ITEM	PART NO.	DESCRIPTION	QTY		
			A	B	C
1	2038857	Fender (LH)	1	1	1
2	2038858	Fender (RH)	1	1	1
3	292597	Capscrew	4	4	4
4	1475872	Washer	4	4	4
5	316829	Nut	4	4	4
6	1301086	Washer	4	4	4
7	1467696	Tow Pin	1	1	1
8	1495368	Grip	1	1	1
9	302440	Pin	1	1	1
10	816231	Stop	4
11	1475214	Shim	AR	AR	AR
12	221786	Washer	1	1	1
13	15170	Lockwasher	1	1	1
14	15189	Washer	1	1	1
15	280472	Sealant	AR	AR	AR
16	1475211	Shim	AR	AR	AR
17	1475212	Shim	AR	AR	AR
18	1475213	Shim	AR	AR	AR
19	1467625	Counterweight	1
19	1467626	Counterweight	1	1
20	1453469	Capscrew	1
20	1453470	Capscrew	1	1
21	2045338	Counterweight (RH)	1	1	1
21	2045336	Counterweight (LH)	1	1	1
22	1485676	Plate	2	2	2
23	292689	Lockwasher	2	2	2
24	292612	Capscrew (127 mm)	2	2	2
25	216877	Nut	4
26	296130	Nut	4
27	816136	Counterweight (RH)	1
28	816137	Counterweight (LH)	1
29	293696	Capscrew	4
30	816138	Washer	4
31	1331575	Washer	4
32	316828	Nut	4
33	1373270	Isolator	4
34	1532632	Liner (LH)	1	1	1
35	1532633	Liner (RH)	1	1	1

FLOOR PLATES AND COVERS (Figure 1-4) (⇒S/N E019E01957A)



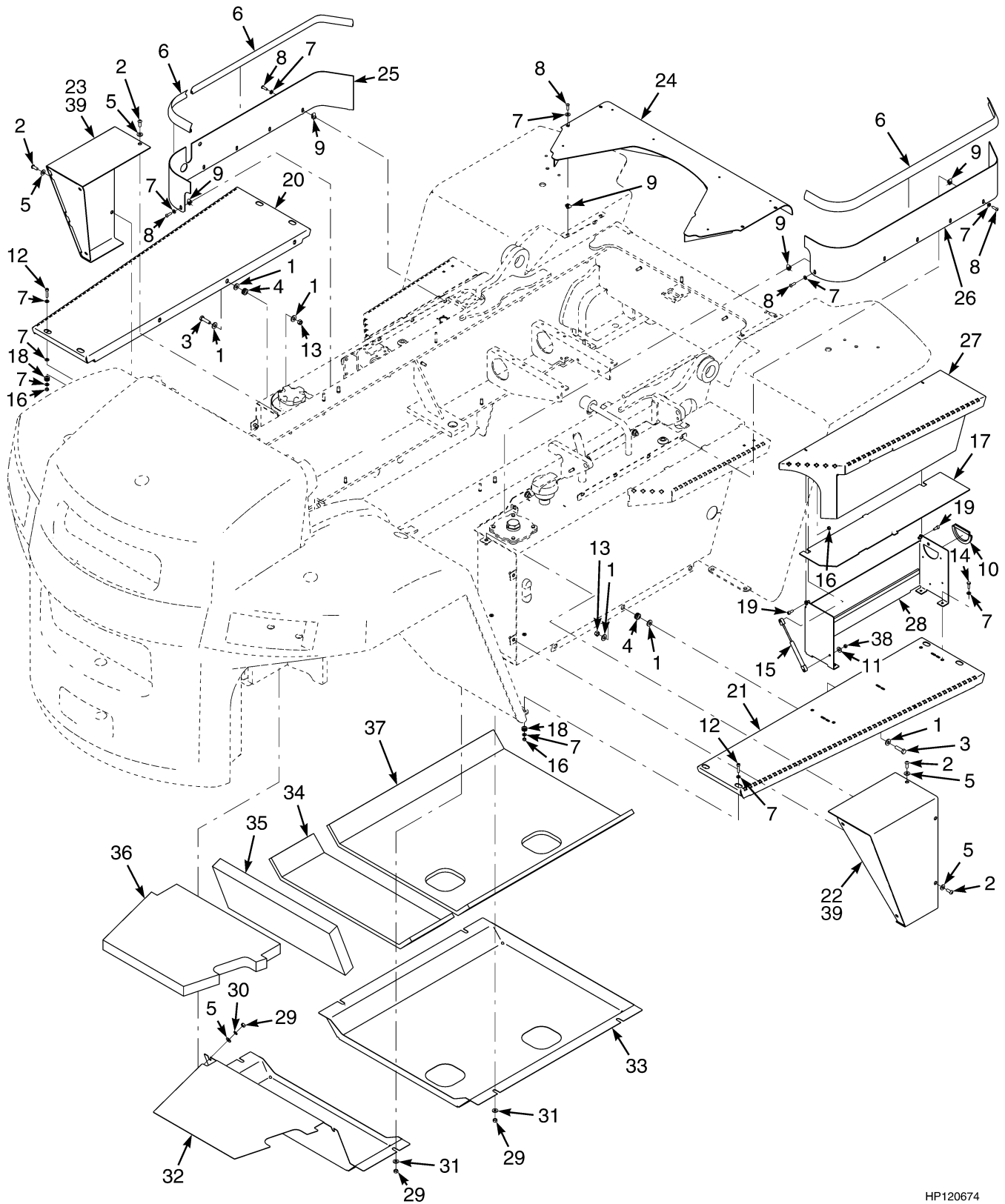
HP120151

FLOOR PLATES AND COVERS
(⇒S/N E019E01957A)

ITEM	PART NO.	DESCRIPTION	QTY
1	320162	Washer	46
2	292683	Lockwasher.....	3
3	292681	Lockwasher.....	3
4	296173	Capscrew.....	15
5	292682	Lockwasher.....	30
6	292655	Nut	30
7	246001	Capscrew.....	20
8	216735	Grommet.....	20
9	300937	Locknut	20
10	320160	Washer	8
11	287854	Capscrew.....	8
12	136692	Nut	8
13	16257	Screw.....	1
14	1335831	Bushing.....	1
15	287816	Capscrew.....	1
16	1335832	Washer	1
17	313805	Nut	1
18	288762	Tape (Foam)	AR
19	1319189	Spring (Latch).....	1
20	1472661	Running Board (LH).....	1
21	1472665	Running Board (RH).....	1
22	1483977	Extension.....	1
23	1484061	Extension.....	1
24	1475488	Step	1
25	1475489	Step	1
26	1477099	Step	1
27	1485265	Cover	1
28	1485263	Panel (LH).....	1
29	1485264	Panel (RH).....	1
30	1471294	Cover (Battery Box).....	1
31	1471296	Battery Box	1
32	1491360	Seal	AR
33	320158	Washer	14
34	296167	Capscrew.....	14
35	1480237	Clip Nut.....	14
36	a 375295	Trim	AR
37	1494649	Step	1
38	1515432	Cover (Rear)	1
39	1515434	Cover (Bottom)	1
40	1516039	Liner.....	1
41	1516040	Liner.....	1
42	1516041	Liner.....	1
43	1516042	Liner.....	1
44	136692	Nut	8
45	292682	Lockwasher.....	8
46	320160	Washer	8

FOOTNOTES:**a** Not Illustrated

FLOOR PLATES AND COVERS (Figure 1-5) (S/N E019E01958A⇒)



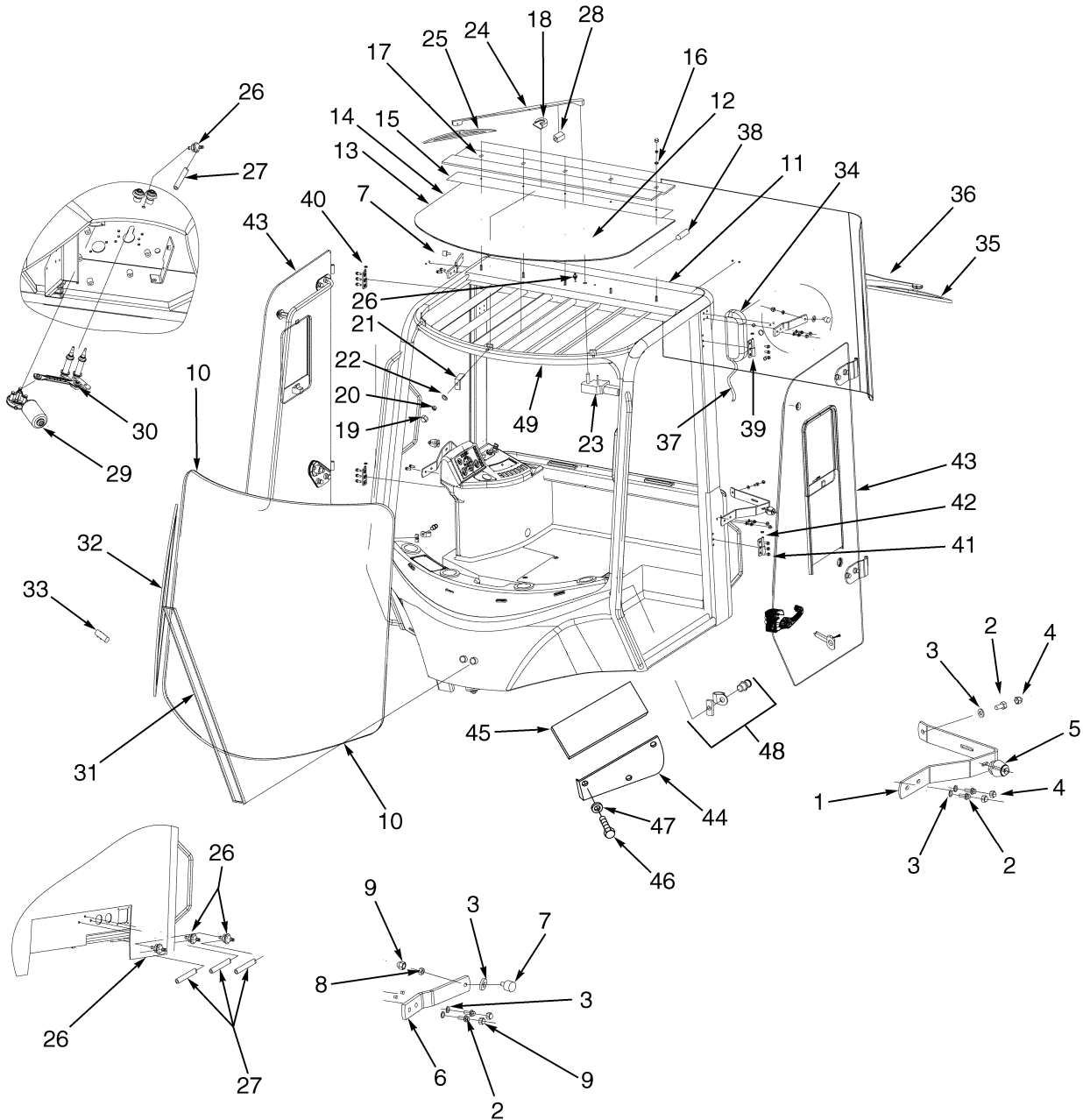
HP120674

FLOOR PLATES AND COVERS
(S/N E019E01958A⇒)

ITEM	PART NO.	DESCRIPTION	QTY
1	320162	Washer	18
2	296173	Capscrew.....	6
3	287837	Capscrew.....	6
4	216735	Grommet.....	6
5	320160	Washer	6
6	1491360	Seal	AR
7	320158	Washer	42
8	296167	Capscrew.....	14
9	1480237	Clip Nut.....	14
10	325983	Trim	AR
11	292681	Lockwasher.....	2
12	296012	Capscrew.....	8
13	302402	Nut	6
14	136749	Capscrew.....	4
15	1532341	Gas Spring.....	1
16	302400	Locknut	10
17	2071326	Cover	1
18	91946	Grommet.....	8
19	1529665	Capscrew.....	2
20	1529664	Running Board (LH).....	1
21	1529663	Running Board (RH)	1
22	1532449	Extension (LH)	1
23	1532447	Extension (RH)	1
24	1485265	Cover	1
25	1485263	Panel (LH).....	1
26	1485264	Panel (RH)	1
27	1529751	Cover (Battery Box)	1
28	1532202	Battery Box	1
29	a 136692	Nut	8
30	a 292682	Lockwasher.....	8
31	a 320160	Washer	8
32	a 1515432	Cover (Rear)	1
33	a 1562201	Cover (Bottom)	1
34	a 1562209	Liner.....	1
35	a 1562210	Liner.....	1
36	a 1562212	Liner.....	1
37	a 1562205	Liner.....	1
38	329069	Nut	2
39	288762	Tape.....	AR

FOOTNOTES:**a** H13.00XM-6, H14.00XM-6, H16.00XM-6

CAB AND ATTACHING PARTS (Figure 1-6)



HP120624

CAB AND ATTACHING PARTS

ITEM	PART NO.	DESCRIPTION	QTY
1	1493310	Bar (Hold-Open)	2
2	1492239	Bolt	8
3	320158	Washer	10
4	1476584	Cap	6
5	1493313	Bumper	2
6	1493315	Bar (Hold-Open) (Bumper)	2
7	1493316	Bumper	2
8	316835	Nut	2
9	1476584	Cap	6
10	Window Assembly (Curved Front)	1
10	1493320	Window (Tempered)	1
10	1498750	Seal Kit	1
10	2046118	Windshield (Service Option)	1
10	1498750	Seal Kit	1
10	2046119	Flat Glass Kit (Service Option)	1
10	1498750	Seal Kit	1
10	1493278	Mirror (Interior)	1
11	Window Assembly (Rear)	1
11	1493324	Window (Rear) (Curved)	1
11	1498750	Seal Kit	1
12	1558024	Window (Skylight) (Laminated)	1
13	1515337	Seal	AR
13	1393463	Seal (Optional)	AR
14	1498339	Sealant	AR
15	1498341	Seal	1
16	1498342	Washer	5
17	1493328	Clip	1
18	1493329	Cover	3
19	1493397	Cover	8
20	316834	Nut	8
21	1498343	Clip	3
22	320156	Washer	3
23	1493344	Wiper Motor	1
24	1498347	Wiper Arm	1
25	1498348	Wiper Blade	1
26	1493336	Connector	6
27	1493337	Hose	9
28	1507003	Nozzle (Top)	1
29	1493332	Wiper Motor	1
30	1493333	Linkage	1
31	1493334	Wiper Arm	1
32	1493335	Wiper Blade	1
33	1507005	Nozzle (Front)	1
34	1493339	Wiper Motor	1
35	1493340	Wiper Blade	1
36	1493341	Wiper Arm	1
37	1493342	Wire Harness (Rear Wiper)	1
38	1498344	Washer (Nozzle)	1
39	1393473	Hinge (LH)	2
39	Pin (Hinge)	2
40	1393474	Hinge (RH)	2

CAB AND ATTACHING PARTS

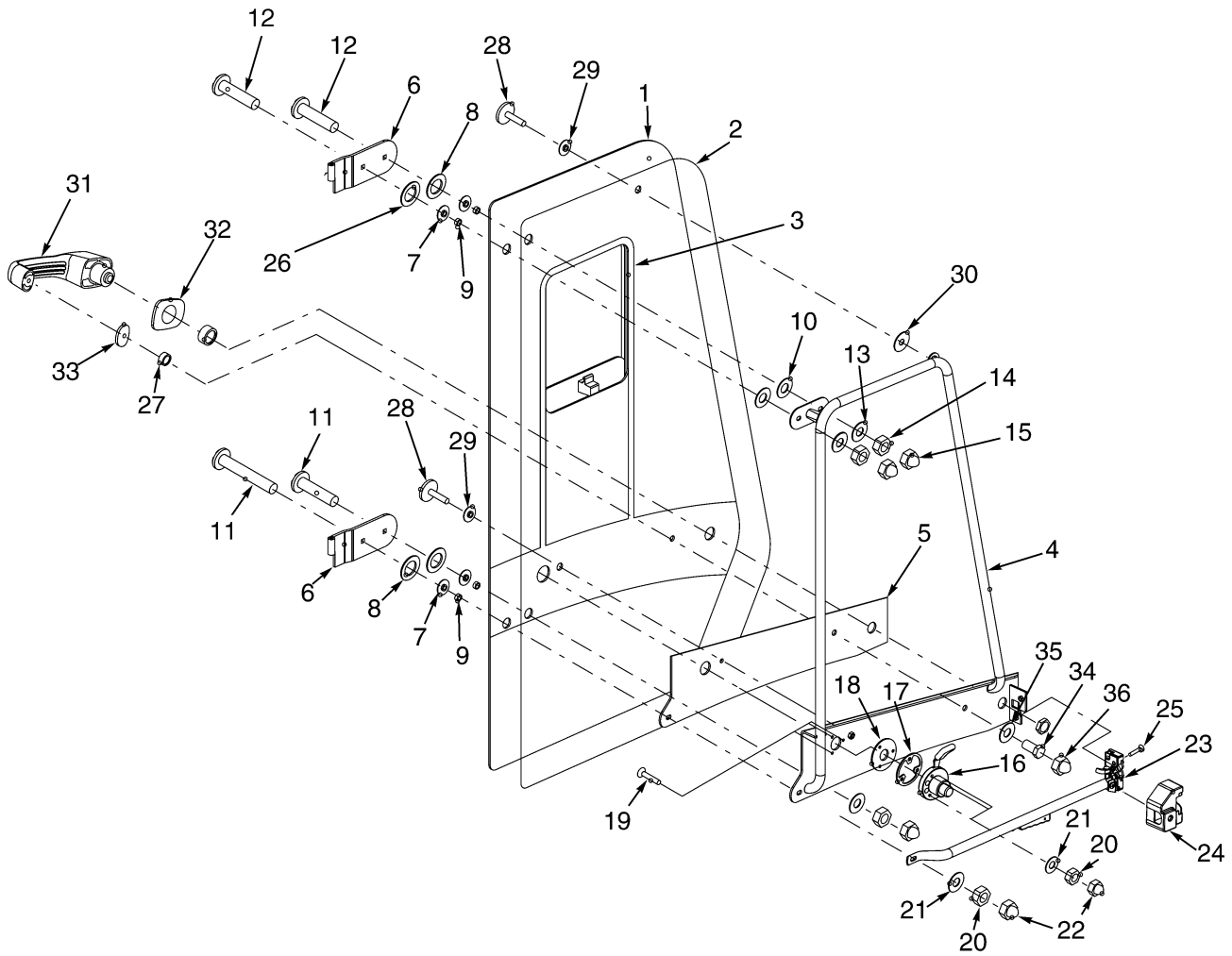
ITEM	PART NO.	DESCRIPTION	QTY
40	Pin (Hinge)	2
41	1493308	Bolt	12
42	1468312	Washer	4
43	1493347	Door Assembly (Glass) (LH) (☞ Figure 1-7)	1
43	1493348	Door Assembly (Glass) (RH) (☞ Figure 1-7)	1
43	a 1480218	Door Assembly (LH) (Steel) (☞ Figure 1-8)	1
43	a 1480219	Door Assembly (RH) (Steel) (☞ Figure 1-8)	1
43	b 1553405	Door Assembly (LH) (Steel) (☞ Figure 1-10)	1
43	b 1553404	Door Assembly (RH) (Steel) (☞ Figure 1-9)	1
44	1493272	Air Filter Cover	1
44	1493274	Cover	1
45	1493276	Air Filter	1
46	293613	Capscrew	3
47	320156	Washer	3
48	1493318	Bolt Assembly (Striker)	2
48	1504953	Block	1
48	1504954	Guard (Striker Bolt)	1
48	1504955	Bolt (Striker)	1
49	1493307	Frame (Cab)	1
	1493309	Mounting (Hold-Open) (Includes Items 1-5, 48)	1
	1493314	Bumper (Hold-Open) (Includes Items 2-3, 6-9)	1
	1493325	Glass Assembly (Roof) (Includes Items 15-22)	1
	1493343	Wiper System (Roof) (Includes Items 23-28)	1
	1493331	Wiper System (Front) (Includes Items 26-27, 29-33)	1
	1493338	Wiper System (Rear) (Includes Items 26-27, 34-38)	1

FOOTNOTES:

a ⇒ S/N E019E02149B

b S/N E019E02150B ⇒

DOOR (Figure 1-7) GLASS



HP120612

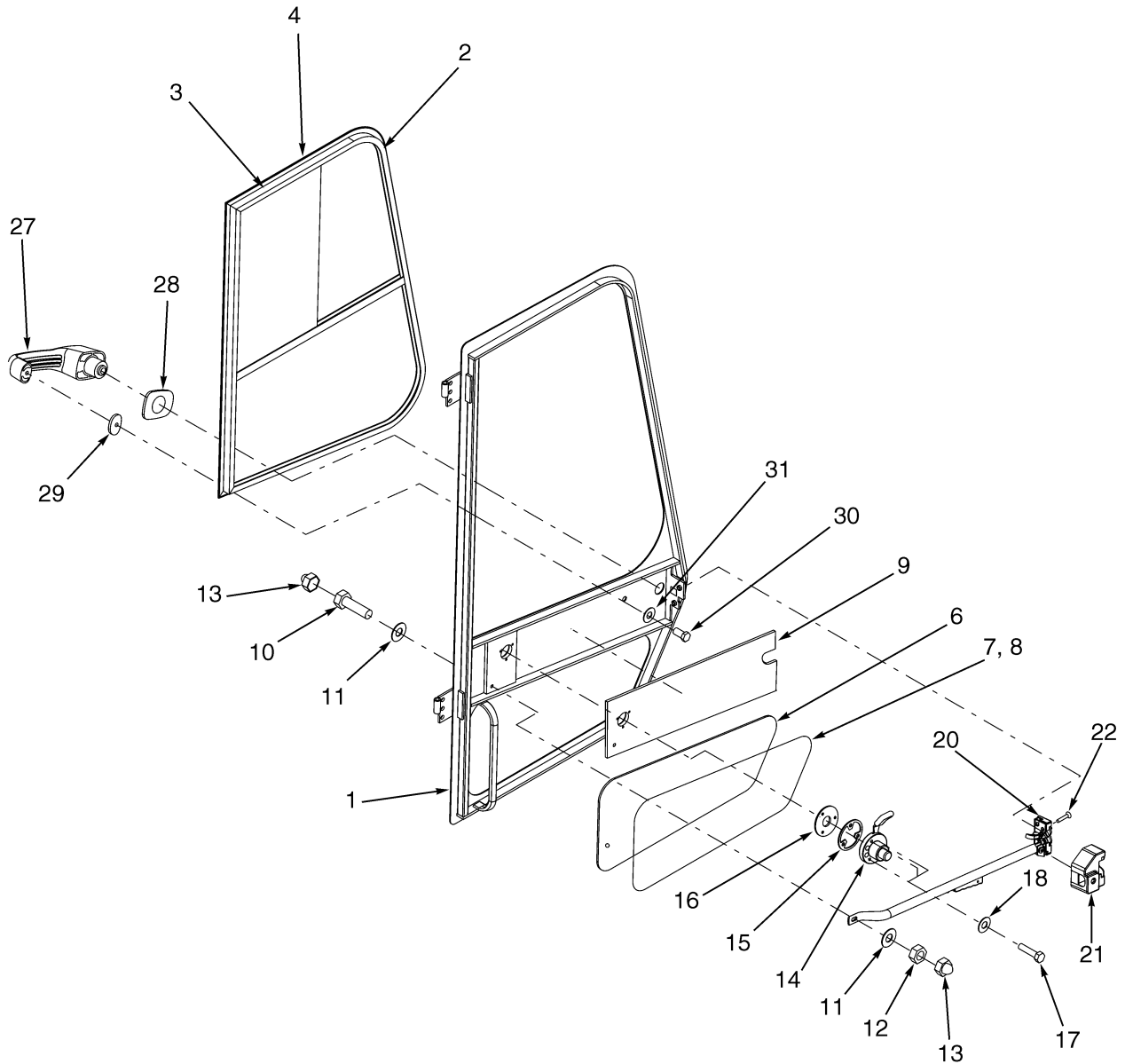
**DOOR
GLASS****KEY:****A: Right Hand****B: Left Hand**

ITEM	PART NO.	DESCRIPTION	QTY	
			A	B
	1493348	Door Assembly (Glass).....	1	..
	1507006	Key.....	1	..
	1493347	Door Assembly (Glass).....	..	1
	1507006	Key.....	..	1
1	1510214	Door (Glass).....	1	..
1	1510213	Door (Glass).....	..	1
2	1495441	Seal.....	AR	AR
3	1495442	Sliding Window.....	4	4
3	1483226	Latch.....	1	1
3	1542547	Plate.....	1	1
3	1542548	Shim (Rubber).....	1	1
3	1542549	Screw.....	2	2
4	1495464	Frame.....	1	..
4	1495443	Frame.....	..	1
5	1495465	Gasket.....	1	..
5	1495444	Gasket.....	..	1
6	1497240	Door Hinge.....	1	..
6	1495446	Door Hinge.....	..	1
7	1495447	Washer.....	4	4
8	1495448	Washer.....	4	4
9	1495449	Bushing.....	4	4
10	1495450	Washer.....	2	2
11	1495451	Screw.....	1	1
12	1495452	Screw.....	3	3
13	320160	Washer.....	4	4
14	1493501	Nut.....	4	4
15	1493312	Cap.....	4	4
16	1497241	Hold-Open.....	1	..
16	1495453	Hold-Open.....	..	1
17	1495456	Washer.....	1	1
18	1495454	Seal.....	1	1
19	1495455	Screw.....	3	3
20	316834	Nut.....	3	3
21	320156	Washer.....	3	3
22	1493397	Cover.....	3	3
23	1495434	Latch And Handle.....	1	..
23	1495437	Latch And Handle.....	..	1
24	1495435	Cover.....	1	..
24	1495438	Cover.....	..	1
25	296229	Capscrew.....	2	2
26	1495459	Bushing.....	1	1
27	1495460	Bushing.....	1	1
28	1495462	Bolt.....	2	2
29	1495463	Washer.....	2	2
30	1468316	Washer.....	1	1
31	1495371	Handle (Push Button).....	1	1

DOOR GLASS

ITEM	PART NO.	DESCRIPTION	QTY	
			A	B
32	1495372	Seal	1	1
33	1495431	Seal	1	1
34	1495432	Bolt	1	1
35	1468321	Washer	1	1
36	1493397	Cover	1	1
	1495436	Latch Assembly (Includes Items 23-30).....	1	..
	1495439	Latch Assembly (Includes Items 23-30).....	..	1
	1495433	Push Button Handle Assembly (Includes Items 31-36)	1	1

DOOR (Figure 1-8) STEEL (⇒S/N E019E02149B)



HP120629

**DOOR
STEEL
(⇒S/N E019E02149B)**

KEY:**A: Right Hand****B: Left Hand**

ITEM	PART NO.	DESCRIPTION	QTY	
			A	B
	1480218	Door Assembly (LH)	1
	1507006	Key.....	..	1
	1480219	Door Assembly (RH).....	1	..
	1507006	Key.....	1	..
1	1506803	Frame	1	..
1	1506798	Frame	1
1	1515337	Seal	AR	AR
2	1506804	Sliding Window.....	1	..
2	1506799	Sliding Window.....	..	1
3	1393476	Activator	4	4
4	1393477	Primer.....	AR	AR
5	a 1393475	Glue.....	AR	AR
6	1506800	Window (Door)	1	1
7	1506801	Terminal.....	AR	AR
8	1393466	Seal	AR	AR
9	1506805	Encasement (Door)	1	..
9	1506802	Encasement (Door)	1
10	287854	Capscrew	1	1
11	320160	Washer	2	2
12	1493501	Nut.....	1	1
13	1493312	Cap.....	2	2
14	1497241	Hold-Open	1	..
14	1495453	Hold-Open	1
15	1495456	Washer	1	1
16	1495454	Seal	1	1
17	1495432	Bolt	3	3
18	320156	Washer	3	3
19	a 1507006	Key	1	1
20	1495434	Latch And Handle.....	1	..
20	1495437	Latch And Handle.....	..	1
21	1495435	Cover.....	1	..
21	1495438	Cover.....	..	1
22	296229	Capscrew	2	2
23	a 1495459	Bushing	1	1
24	a 1495460	Bushing	1	1
25	a 1495462	Bolt	2	2
26	a 1495463	Washer	2	2
27	1495371	Handle (Push Button).....	1	1
28	1495372	Seal	1	1
29	1495431	Seal	1	1
30	1495432	Bolt	1	1
31	1468321	Washer	1	1
	1495433	Push Button Handle Assembly (Includes Items 27-31)	1	1

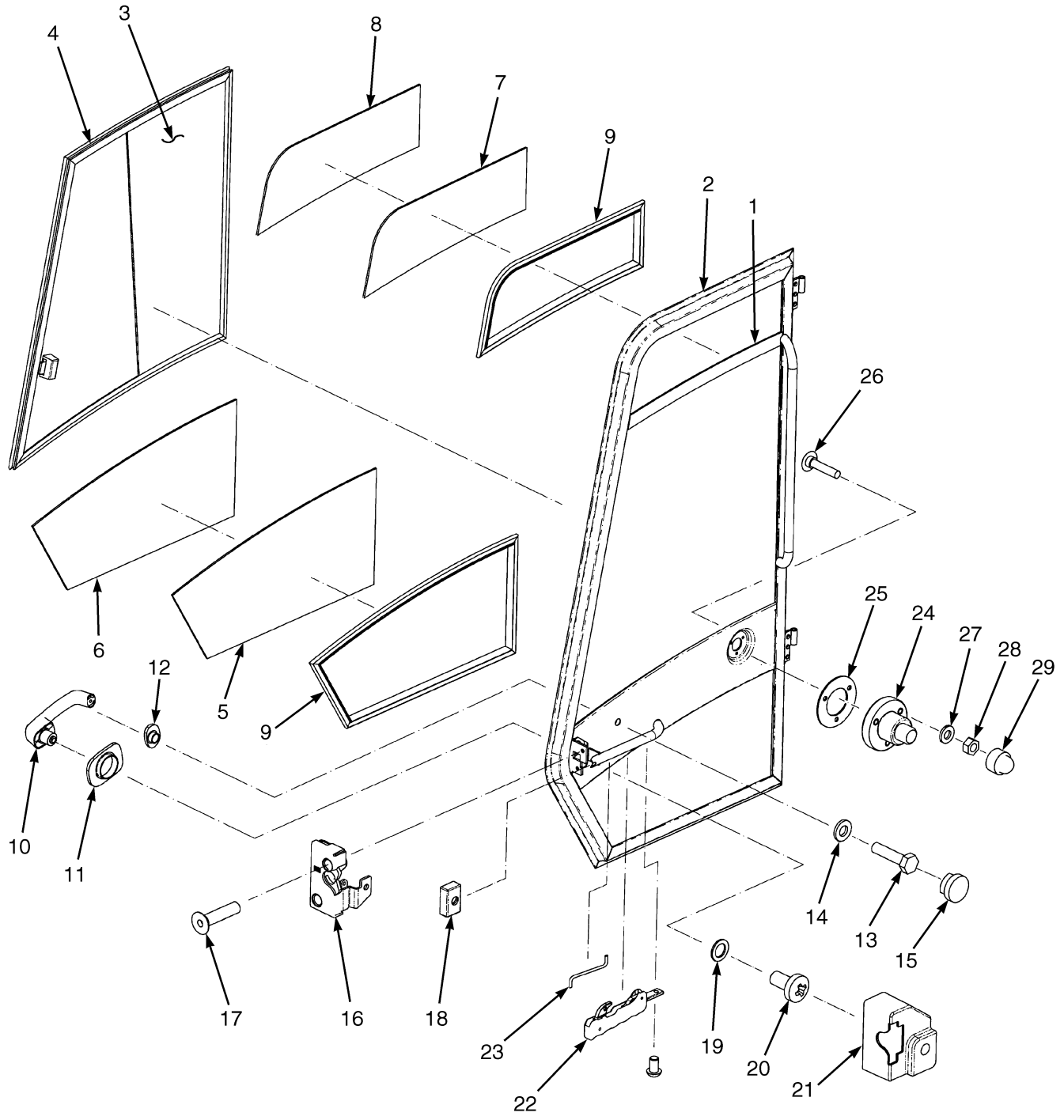
**DOOR
STEEL
(⇒S/N E019E02149B)**

ITEM	PART NO.	DESCRIPTION	QTY	
			A	B
	1495436	Latch Assembly (Includes Items 20-31).....	1	..
	1495439	Latch Assembly (Includes Items 20-31).....	..	1

FOOTNOTES:

a Not Illustrated

STEEL DOOR (Figure 1-9) RIGHT HAND (S/N E019E02150B⇒)

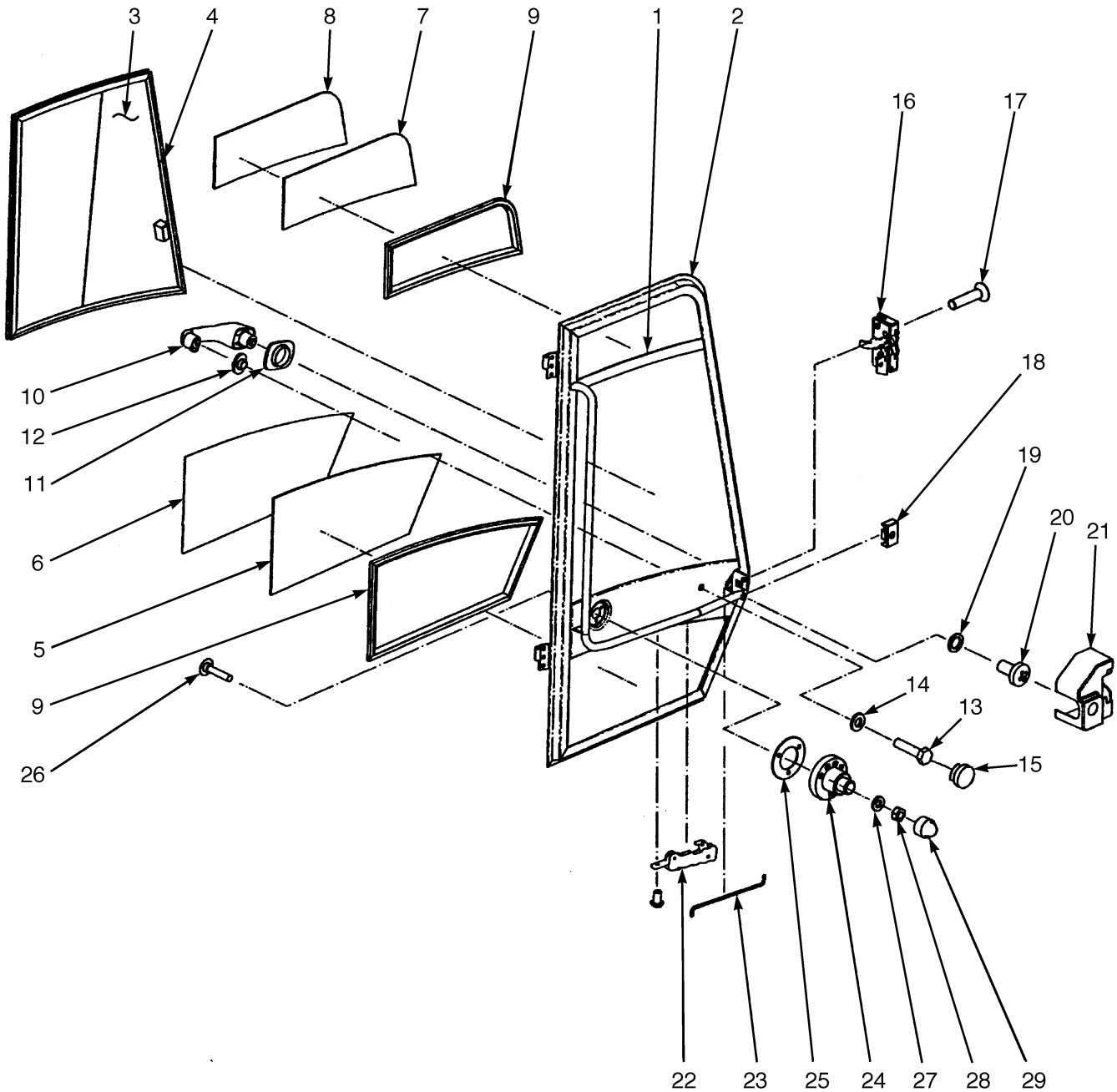


BP120062

**STEEL DOOR
RIGHT HAND
(S/N E019E02150B⇒)**

ITEM	PART NO.	DESCRIPTION	QTY
	1553404	Door Assembly (RH).....	1
	1507006	Key.....	1
1	1558292	Frame	1
2	1515337	Seal	5
3	1558293	Window (Main)	1
4	1558294	Seal	1
5	1558295	Window (Lower)	1
6	1558296	Frame (Window) (Lower).....	1
7	1558297	Window (Upper)	1
8	1558298	Frame (Window) (Upper).....	1
9	1558299	Seal	4
10	1495371	Handle (Push Button).....	1
11	1495372	Seal	1
12	1495431	Seal	1
13	287816	Capscrew	1
14	1468321	Washer	1
15	1558300	Cap.....	1
16	1558301	Latch Assembly	1
17	296229	Capscrew	2
18	1558302	Plate (Door Handle).....	1
19	1558303	Washer	1
20	1558304	Screw	1
21	1495435	Cover.....	1
22	1558305	Remote Control (Door Handle).....	1
23	1558306	Rod (Connector).....	1
24	1497241	Hold-Open	1
25	1495454	Seal	1
26	1558307	Screw	3
27	1506738	Washer	3
28	316834	Nut.....	3
29	1493397	Cover.....	3

STEEL DOOR (Figure 1-10) LEFT HAND (S/N E019E02150B⇒)

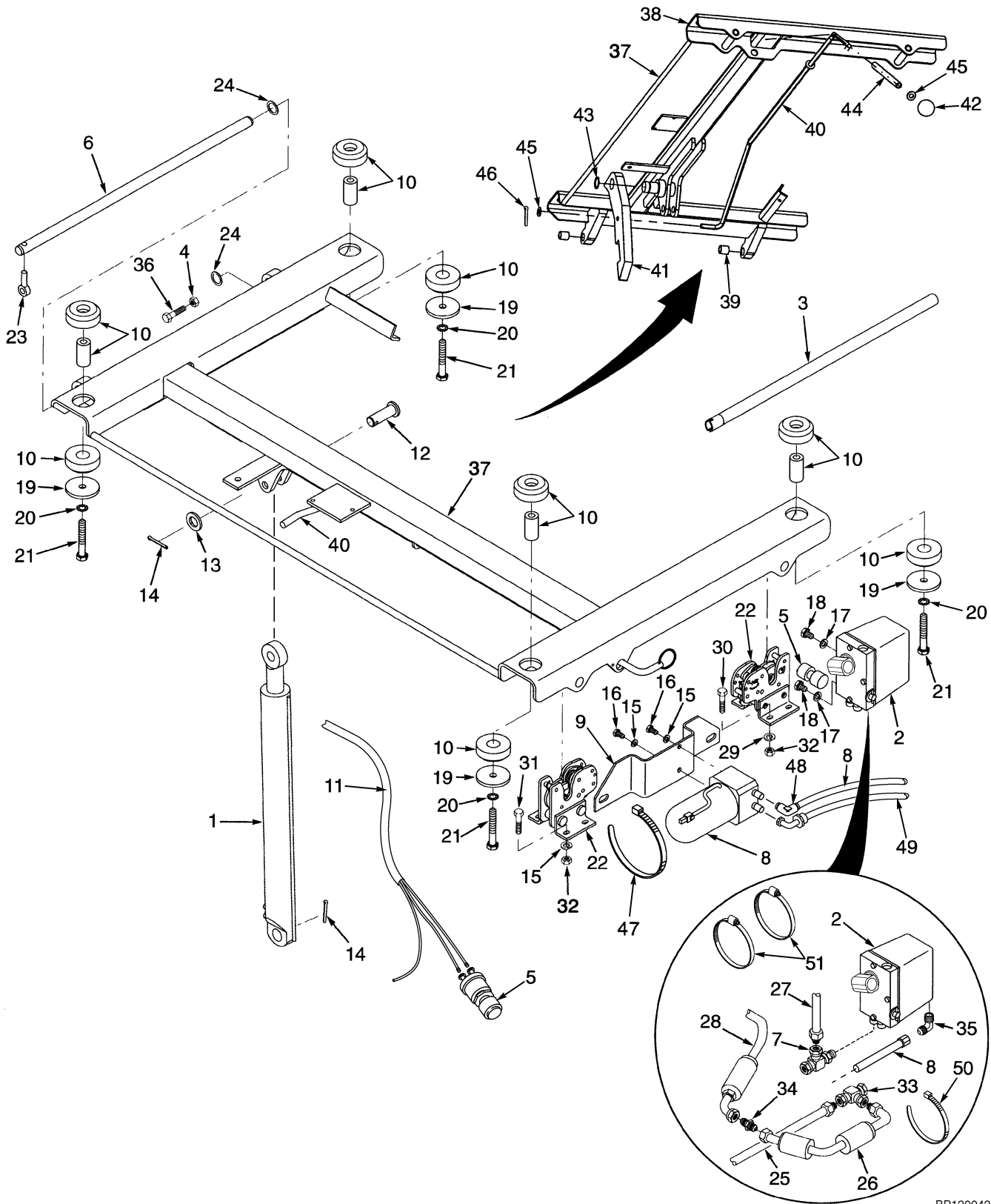


BP120063

**STEEL DOOR
LEFT HAND
(S/N E019E02150B⇒)**

ITEM	PART NO.	DESCRIPTION	QTY
	1553405	Door Assembly (LH)	1
	1507006	Key.....	1
1	1558440	Frame	1
2	1515337	Seal	5
3	1558441	Window (Main)	1
4	1558294	Seal	AR
5	1558442	Window (Door) (Lower)	1
6	1558443	Frame (Window) (Lower).....	1
7	1558444	Window (Door) (Upper)	1
8	1558445	Frame (Window) (Upper).....	1
9	1558299	Seal	4
10	1495371	Handle (Push Button).....	1
11	1495372	Seal	1
12	1495431	Seal	1
13	287816	Capscrew	1
14	1468321	Washer	1
15	1558300	Cap.....	1
16	1558446	Latch Assembly	1
17	296229	Capscrew	2
18	1558302	Plate	1
19	1558303	Washer	1
20	1558304	Screw	1
21	1495438	Cover.....	1
22	1558305	Remote Control	1
23	1558447	Rod (Connector).....	1
24	1495453	Hold-Open	1
25	1495454	Seal	1
26	1558307	Screw	3
27	1506738	Washer	3
28	316834	Nut.....	3
29	1493397	Cover.....	3

CAB AND TILT CYLINDER MOUNTING (Figure 1-11)



BP120042

CAB AND TILT CYLINDER MOUNTING**KEY:****A: Manual Tilt****B: Power Tilt**

ITEM	PART NO.	DESCRIPTION	QTY	
			A	B
1	2043194	Tilt Cylinder (Cab) (☞ Figure 1-12)	1	..
2	1486535	Hand Pump (☞ Figure 1-13)	1	..
3	a 1487204	Handle	1	..
4	136692	Nut	1	1
5	370776	Switch (Momentary).....	..	1
6	1474921	Shaft	1	..
7	1496296	Swivel	1	1
8	1475732	Pump (Tilt) (☞ Figure 1-14)	1
8	Hose.....	..	1
8	1480187	Connector	1
8	1480188	Secondary Lock.....	..	1
8	1484709	Terminal (Pin)	2
9	1485271	Bracket.....	..	1
10	1486540	Mount.....	4	4
11	2049849	Wire Harness (Tilt Cab) (☞ Figure 4-17)	1
12	1486630	Pin	1	1
13	320169	Washer	1	1
14	15235	Cotter Pin.....	2	2
15	292681	Lockwasher.....	8	2
16	287851	Capscrew.....	2	2
17	292682	Lockwasher.....	3	3
18	292514	Capscrew.....	2	2
19	300939	Washer	4	4
20	296382	Washer	4	4
21	292535	Capscrew.....	4	4
22	1486539	Latch.....	2	2
23	195566	Anchor	1	1
24	1520841	Shim	2	2
25	1486067	Hose	1	1
26	1486068	Hose	1	1
27	1486069	Hose	1	1
28	1486070	Hose	1	1
29	320157	Washer	8	8
30	176640	Capscrew.....	7	7
31	136749	Capscrew.....	1	1
32	239503	Nut	7	7
33	1496296	Swivel	1	1
34	1488675	Fitting.....	1	1
35	1488676	Fitting.....	2	2
36	292517	Capscrew.....	1	1
37	1486825	Platform	1	..
37	1493322	Adhesive (Not Illustrated)	AR	AR
38	1493379	Frame	1	1
39	1493380	Bearing.....	2	2
40	1493381	Rod (Release).....	1	1
41	1493382	Catch (Tilt).....	1	1

CAB AND TILT CYLINDER MOUNTING

ITEM	PART NO.	DESCRIPTION	QTY	
			A	B
42	1493383	Knob.....	1	1
43	1493384	Retaining Ring.....	1	1
44	1493385	Spring (Compression)	1	1
45	1493386	Washer	2	2
46	1493387	Cotter Pin	1	1
47	2004005	Strap Clamp.....	..	1
48	1496459	Fitting.....	..	1
49	1496368	Hose	1
50	137852	Strap Clamp.....	..	1
51	397676	Strap Clamp.....	AR	AR

FOOTNOTES:

a Used with Part Number 1486535

BUY NOW

**Then Instant Download
the Complete Manual
Thank you very much!**