

PARTS MANUAL

FORTENS

**H1.6-1.8FT, H2.0FTS
(F001)**

CUSTOMER EDITION

HYSTER

SECTIONS

1	FRAME
2	ENGINES
3	FUEL SYSTEM
4	ELECTRICAL SYSTEM
5	TRANSMISSION
6	DRIVE AXLE
7	STEERING SYSTEM
8	BRAKE SYSTEM
9	HYDRAULIC SYSTEM
10	MAST-TWO STAGE LIMITED FREE-LIFT
11	MAST-TWO STAGE FULL FREE-LIFT
12	MAST-THREE STAGE FULL FREE-LIFT
13	OPTIONS
14	NUMERICAL INDEX

This Parts Manual is divided into 14 major sections which are listed above. Quick reference to these sections can be made by placing the right thumb on the tab of the desired section, bending the book back and thumbing the pages to the corresponding tab.

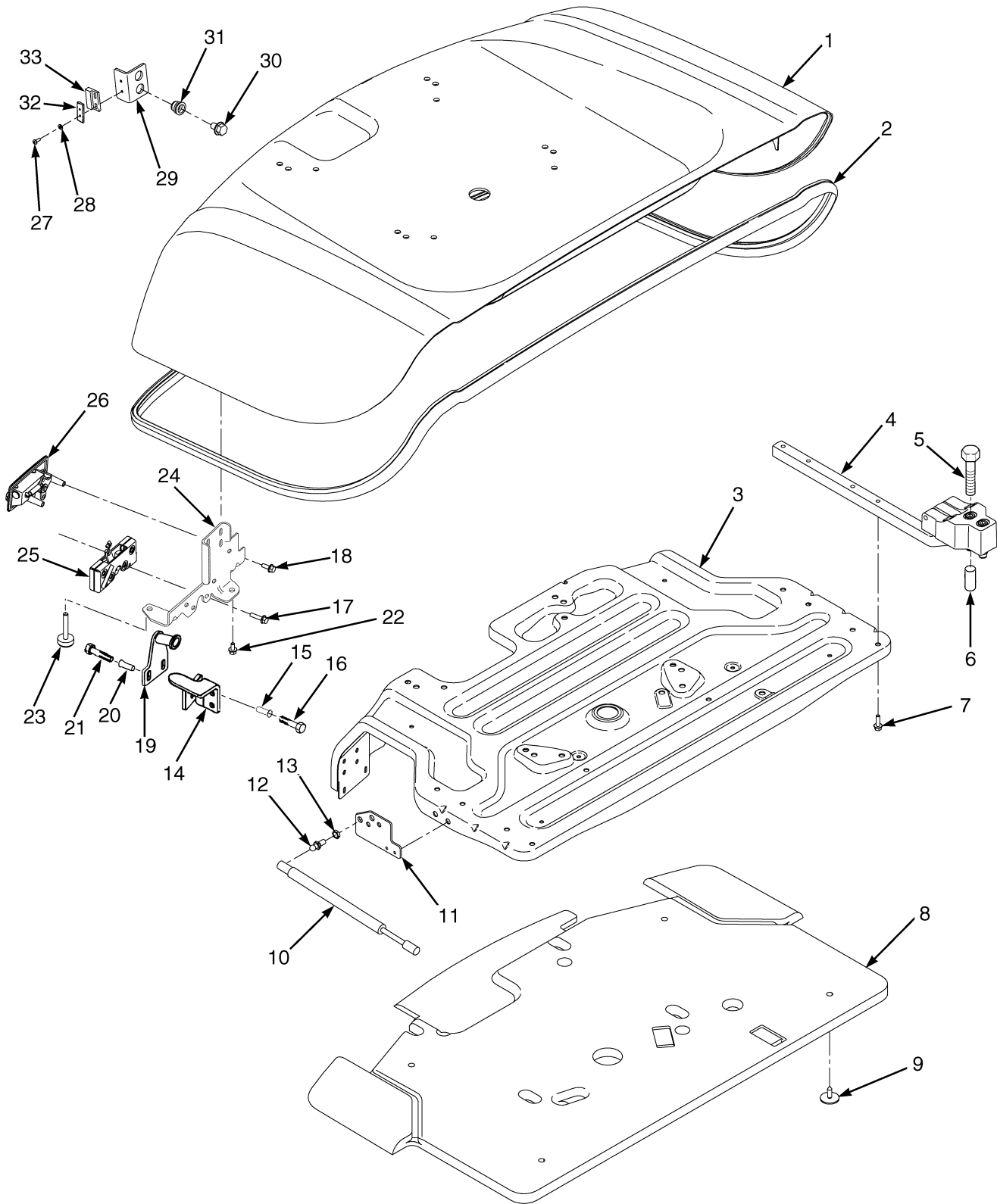
1

FRAME

SECTION 1
FRAME

DESCRIPTION	PAGE
CONTROL LEVER LABELS.....	1-26
COUNTERWEIGHT	1-10
COWL MOUNTING	1-8
ELECTRONIC LEVER LABELS	1-28
FENDER EXTENSIONS AND MUD GUARDS	
WITH WIDE TREAD	1-6
FLOORPLATES AND COVERS	1-4
FORKS	1-32
FULL SUSPENSION SEAT	
WITH AND WITHOUT ELECTRONIC CONTROLS	1-18
FULL SUSPENSION SWIVEL SEAT	
WITH AND WITHOUT ELECTRONIC CONTROLS	1-20
HOOD.....	1-2
JOYSTICK LABELS.....	1-30
LABELS	
EXTERIOR.....	1-22
INTERIOR.....	1-24
LOAD BACKREST EXTENSION.....	1-34
NON SUSPENSION SEAT	
WITHOUT ELECTRONIC CONTROLS	1-14
OVERHEAD GUARD.....	1-12
SEMI SUSPENSION SEAT	
WITH AND WITHOUT ELECTRONIC CONTROLS	1-16

HOOD (Figure 1-1)

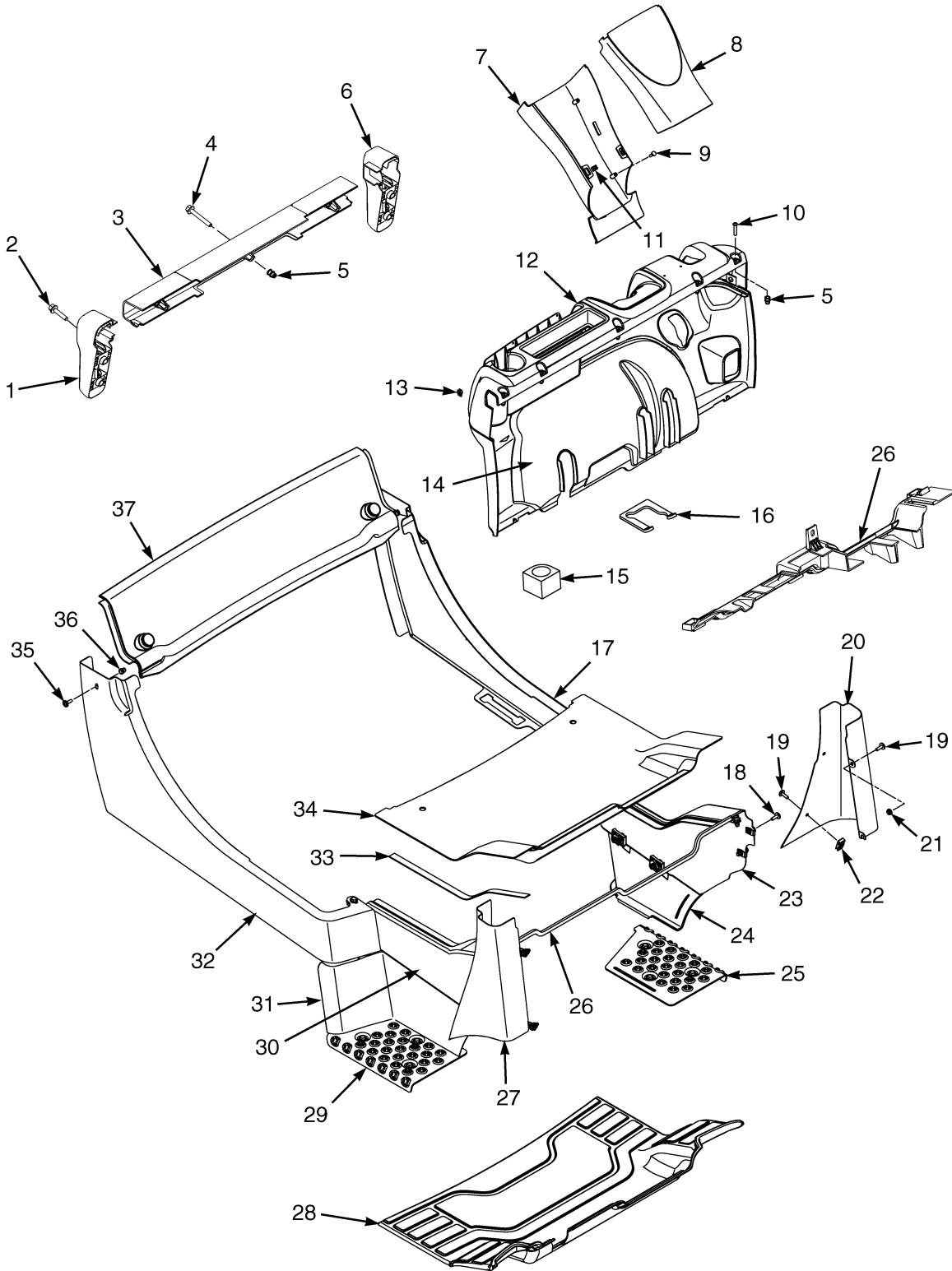


HP120789

HOOD

ITEM	PART NO.	DESCRIPTION	QTY
1	1564008	Hood Assembly (Standard).....	1
1	1567097	Hood Assembly (Used with Overhead Exhaust).....	1
1	1585585	Hood Assembly (Used with Swival Seat).....	1
1	1589729	Hood Assembly (Used with Swival Seat and Overhead Exhaust).....	1
1	1569172	Hood Assembly (Vented).....	1
1	1585586	Hood Assembly (Vented, Used with Swival Seat).....	1
2	1578698	Seal (Hood).....	1
3	1564010	Reinforcement.....	1
4	1547970	Hinge.....	2
5	296030	Capscrew.....	4
6	1530244	Insert.....	4
7	1583611	Capscrew.....	10
8	1548493	Liner.....	1
9	1304971	Fastener.....	4
10	1563497	Gas Spring.....	2
11	1585952	Bracket (Gas Spring Mount).....	2
12	1563369	Ball Stud.....	4
13	329069	Nut.....	2
14	1582018	Plate.....	1
15	1530244	Insert.....	4
16	296032	Capscrew.....	4
17	1527878	Capscrew.....	4
18	1527876	Capscrew.....	2
19	1580794	Striker Bolt.....	1
20	1530243	Insert.....	2
21	1527881	Capscrew.....	2
22	1534417	Capscrew.....	6
23	1585581	Bumper (Hood).....	2
24	1580293	Plate.....	1
25	1582286	Latch Rotor.....	1
26	1582287	Handle.....	1
27	302010	Screw.....	4
28	320152	Washer.....	4
29	1527228	Bracket (Hood Switch).....	2
30	1583611	Capscrew.....	2
31	1531557	Insert.....	2
32	1585765	Plate.....	1
33	1565545	Magnet.....	1
	1347045	Fastener (Not Illustrated).....	8
	1561015	Grommet (Not Illustrated).....	1

FLOORPLATES AND COVERS (Figure 1-2)



BP120095

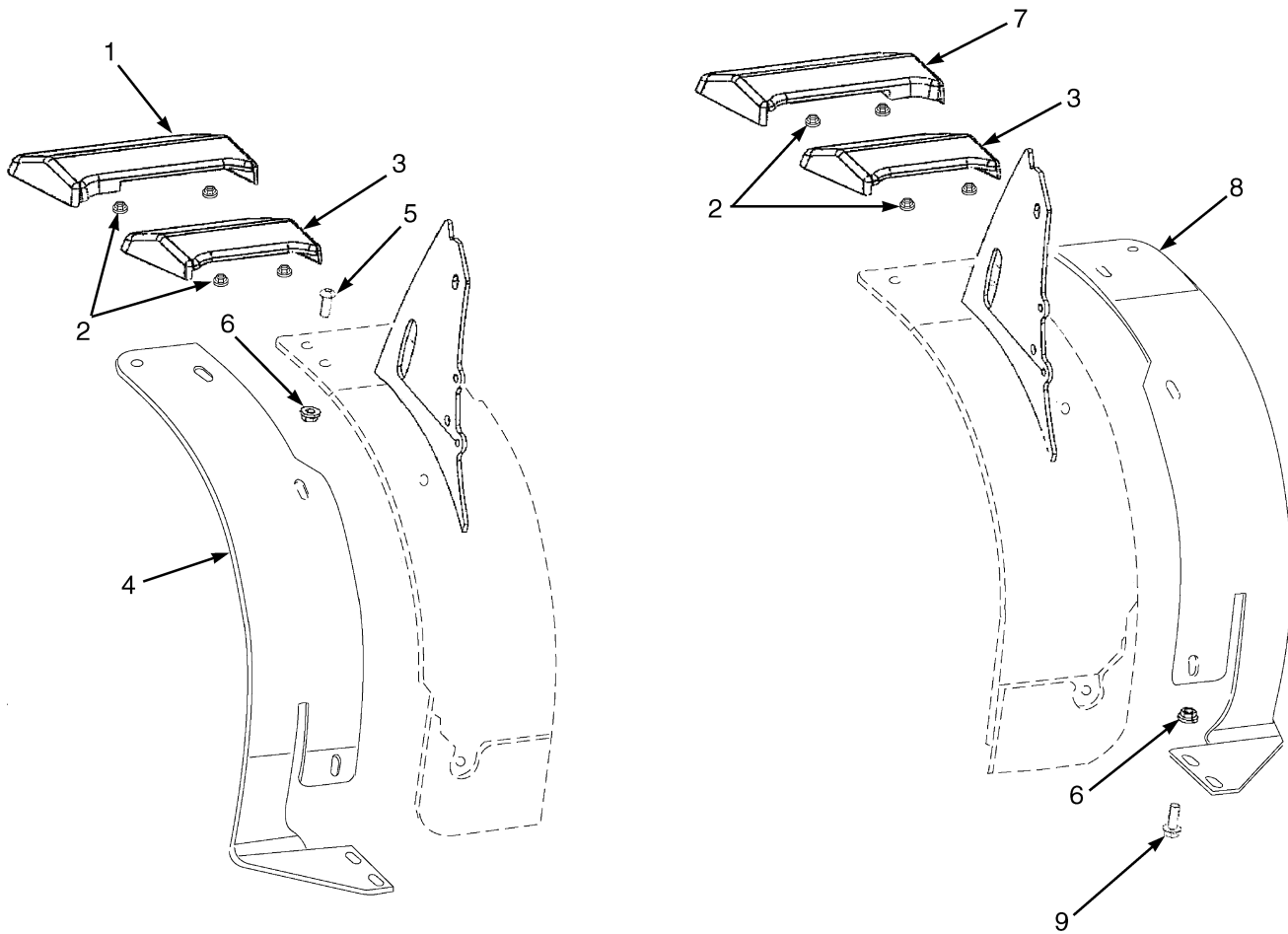
FLOORPLATES AND COVERS

ITEM	PART NO.	DESCRIPTION	QTY
1	2056823	Bracket (Tail Light) (RH)	1
2	1586495	Capscrew.....	4
3	2067455	Cover (Rear) (Crossmember).....	1
4	1540643	Capscrew.....	3
5	1531001	Insert.....	8
6	2056822	Bracket (Tail Light) (LH)	1
7	2065666	Cover (Steering Column) (Lower).....	1
8	2065668	Cover (Steering Column) (Upper).....	1
9	2027655	Screw.....	2
10	2071261	Capscrew.....	5
11	2065667	Clip	2
12	1517418	Dash Assembly (Electronic Hydraulics).....	1
12	2065885	Dash	1
12	2070975	Cup Holder	1
12	1517419	Dash Assembly (Manual Valve)	1
12	2065886	Dash	1
12	2070975	Cup Holder	1
13	2065667	Clip	4
14	2071593	Panel (Kick) (Single Pedal).....	1
14	2071594	Panel (Kick) (Dual Pedal).....	1
15	1530135	Grommet (RH) (Foam).....	1
16	1581569	Seal	1
17	a 1527939	Panel (Rear) (LH)	1
17	b 1527940	Panel (Rear) (LH)	1
18	1583611	Capscrew.....	2
19	1530019	Screw.....	8
20	1564026	Cover (Fender) (LH).....	1
21	1514429	Nut (Flange).....	4
22	1350215	Nut (Foldover).....	4
23	1540859	Panel (Front) (LH)	1
24	1574271	Panel (Step) (LH).....	1
25	1519787	Plate (Tread) (LH)	1
26	1564396	Seal Plate Assembly.....	1
26	1529426	Seal	1
27	1564028	Cover (Fender) (RH)	1
28	2072213	Floormat	1
29	1519788	Plate (Tread) (RH).....	1
30	1540869	Panel (Front) (RH)	1
31	1574273	Panel (Step) (RH)	1
32	1527946	Rear Panel (RH)	1
33	1564529	Seal	2
34	1509754	Floor Plate	1
35	1530019	Screw.....	2
36	1531558	Insert.....	6
37	1547460	Cover (Radiator)	1
37	1547467	Seal (LH)	1
37	1547468	Seal (RH).....	1

FOOTNOTES:

- a** Diesel
b LPG

FENDER EXTENSIONS AND MUD GUARDS (Figure 1-3) WITH WIDE TREAD

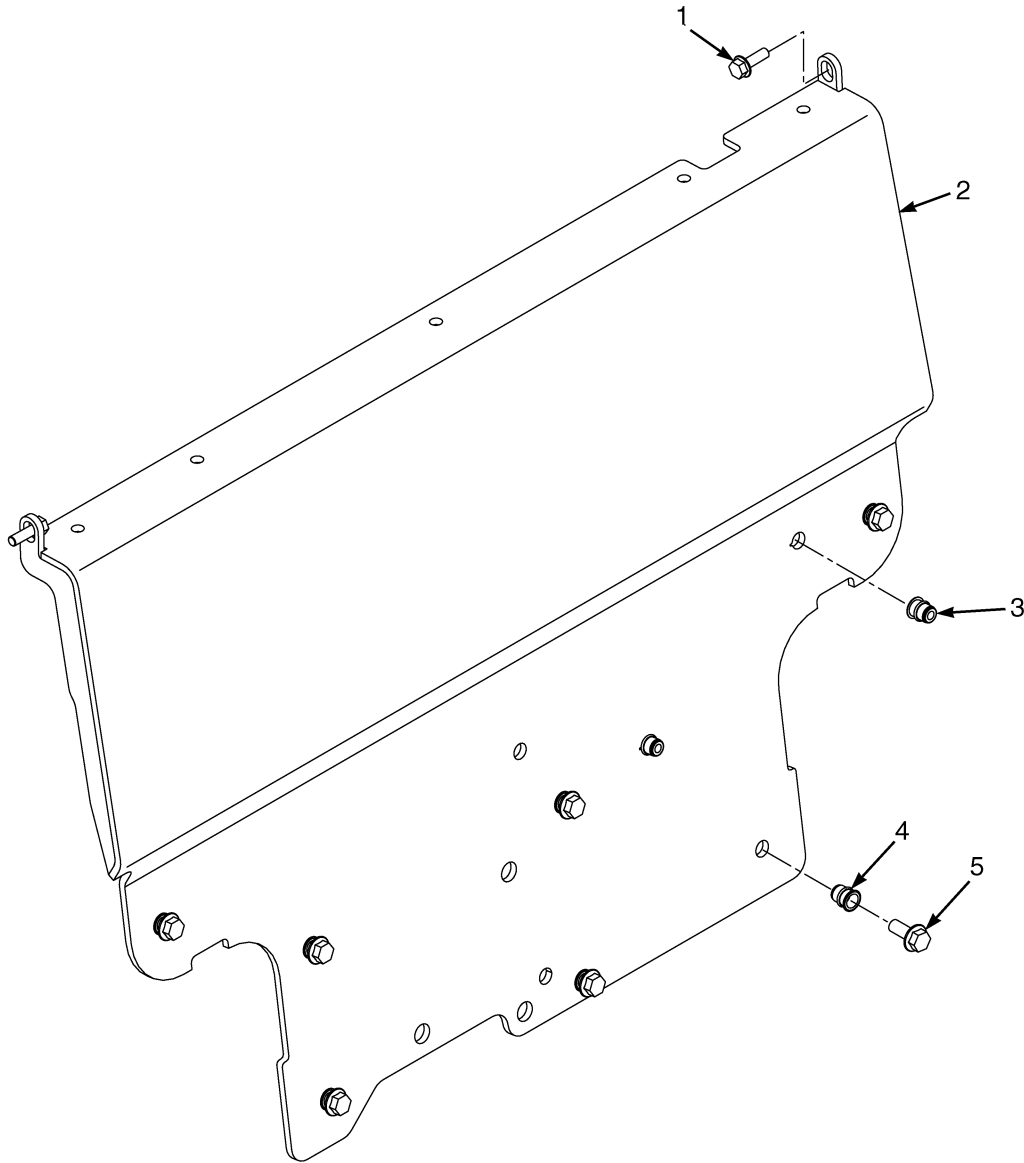


BP120089

FENDER EXTENSIONS AND MUD GUARDS WITH WIDE TREAD

ITEM	PART NO.	DESCRIPTION	QTY
1	2069545	Mud Guard (Wide, RH)	1
2	1544153	Lock Nut.....	4
3	2069008	Mud Guard (Standard).....	2
4	1555786	Fender (Extension, RH).....	1
5	2072664	Capscrew.....	4
6	1586432	Nut	10
7	2069544	Mud Guard (Wide, LH).....	1
8	1555755	Fender (Extension, LH).....	1
9	1586630	Capscrew.....	6

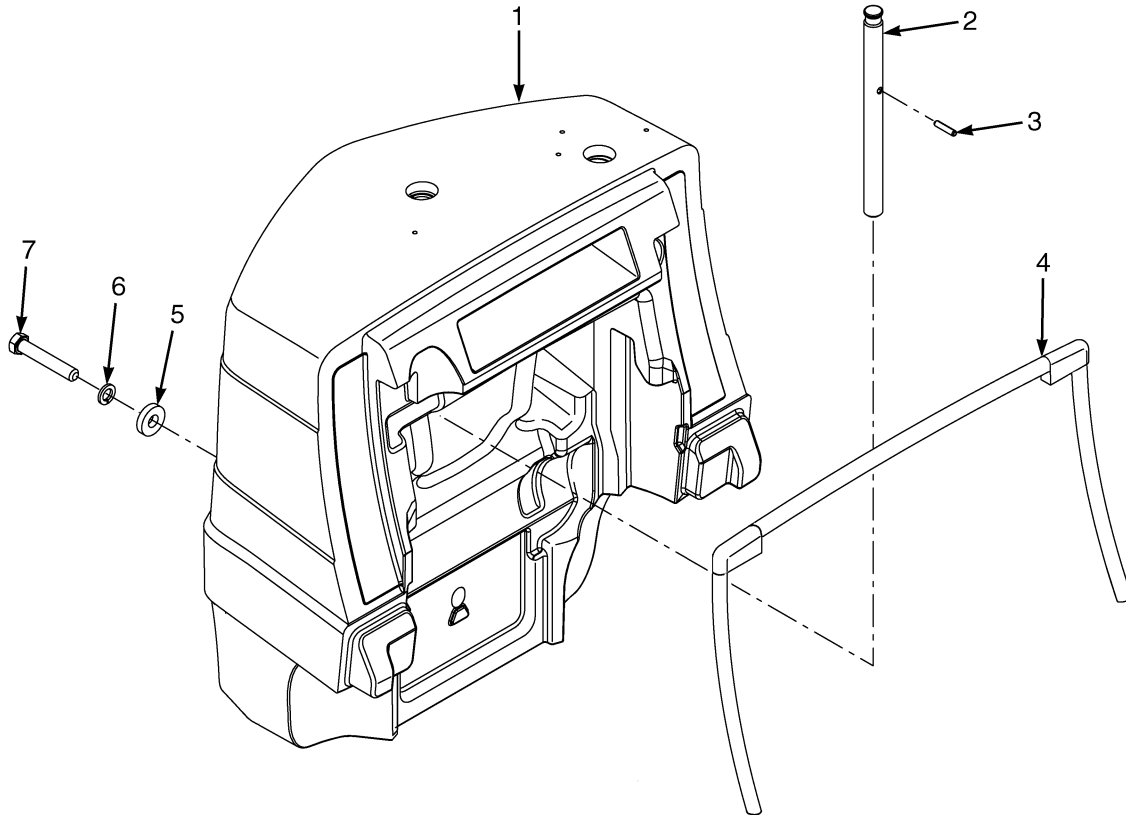
COWL MOUNTING (Figure 1-4)



HP120730

ITEM	PART NO.	DESCRIPTION	QTY
1	1583611	Capscrew.....	2
2	1566545	Cowl.....	1
3	1530243	Insert.....	2
4	1530244	Insert.....	7
5	1605990	Capscrew.....	7

COUNTERWEIGHT (Figure 1-5)

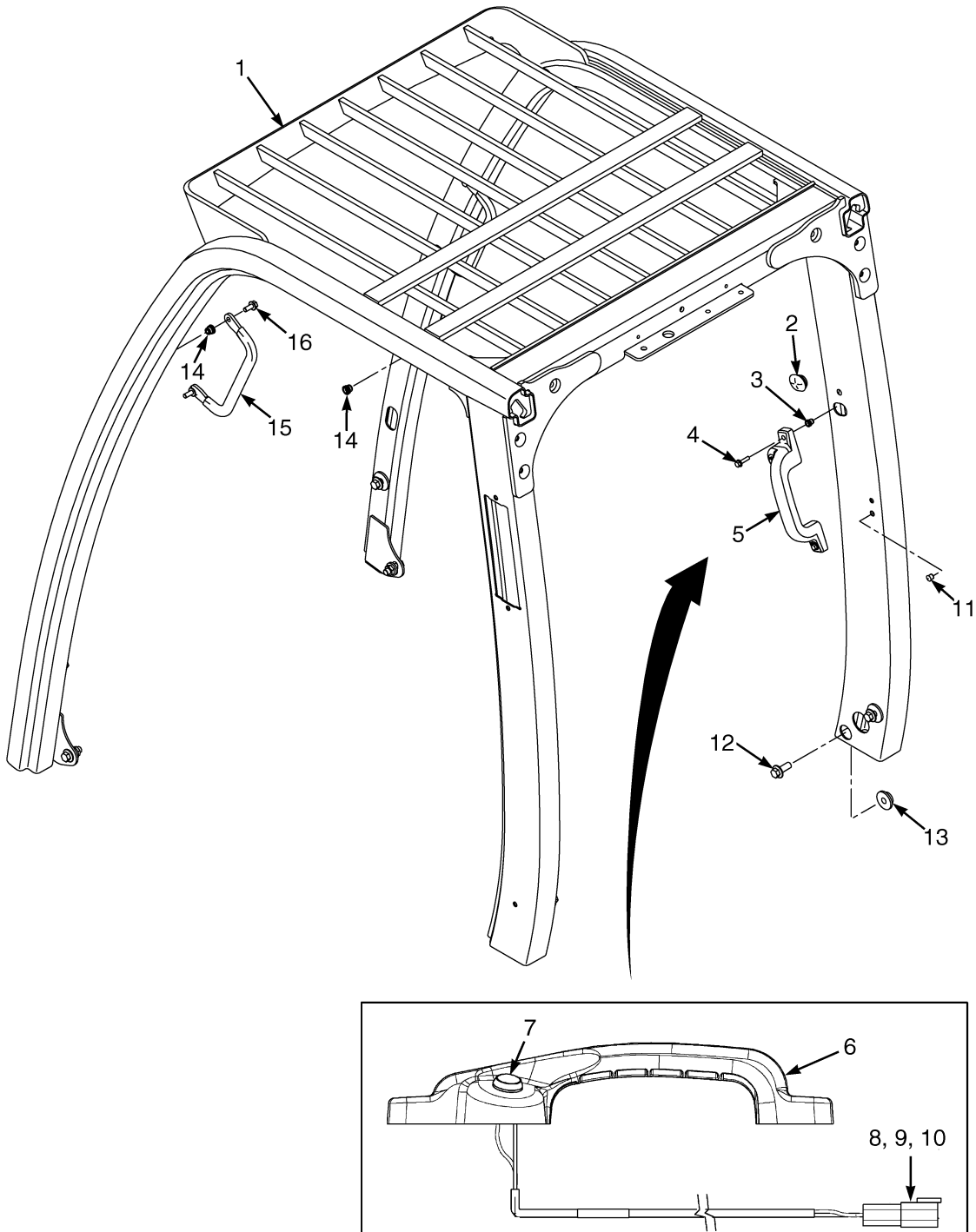


HP120727

COUNTERWEIGHT

ITEM	PART NO.	DESCRIPTION	QTY
1	1528754	Counterweight (H1.6FT)	1
1	1528755	Counterweight (H1.8FT)	1
1	1548756	Counterweight (H2.0FTS).....	1
2	1521190	Tow Pin	1
3	302491	Pin	1
4	1565084	Seal	1
5	1375214	Washer	1
6	292689	Lockwasher.....	1
7	292608	Capscrew (101,6 mm)	1

OVERHEAD GUARD (Figure 1-6)

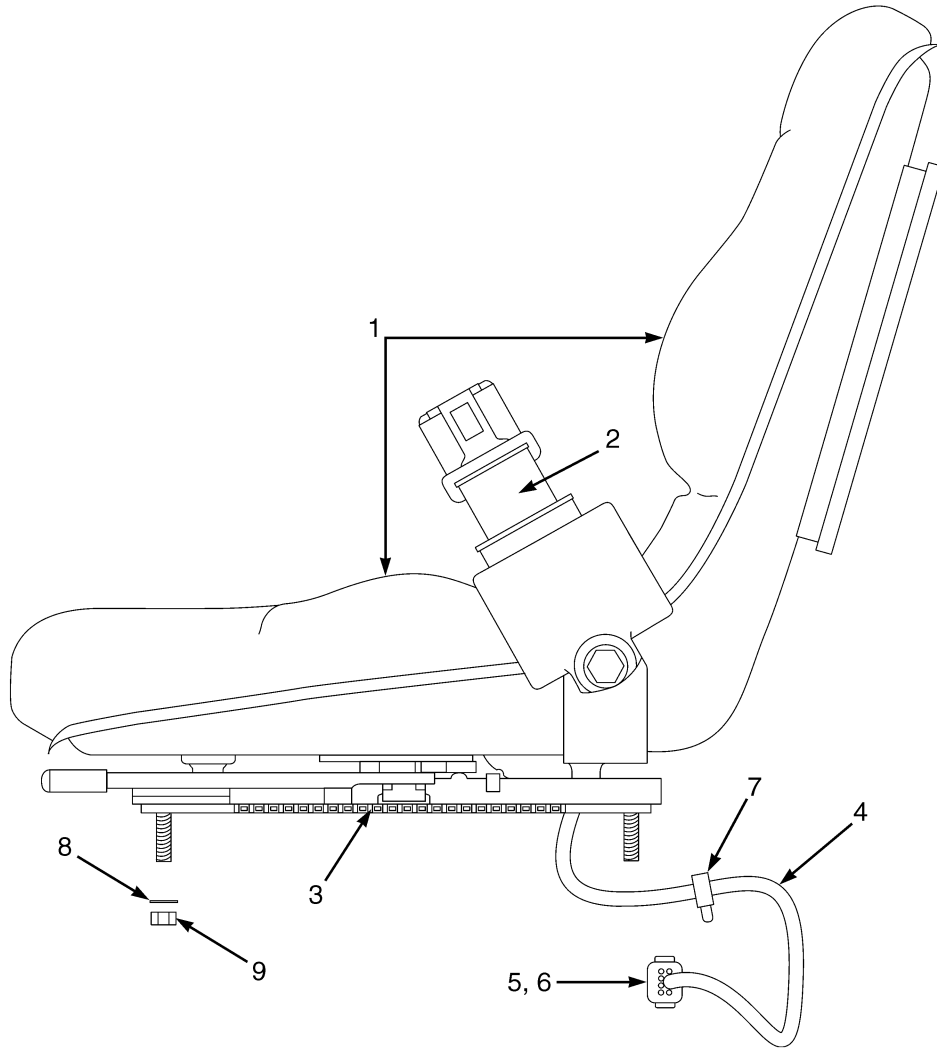


HP120732

OVERHEAD GUARD

ITEM	PART NO.	DESCRIPTION	QTY
1	1599203	Overhead Guard (High)	1
1	1599209	Overhead Guard (Low)	1
2	1558219	Grommet.....	3
3	1531558	Insert.....	2
4	1586495	Capscrew.....	2
5	2070223	Handle Assembly (Optional).....	1
6	2069454	Handle	1
7	1566726	Switch (Horn)	1
8	1493465	Connector.....	1
9	1330414	Secondary Lock.....	1
10	1330437	Terminal (Pin)	2
11	1494888	Plug	2
12	1528889	Capscrew.....	8
13	1528888	Nut	2
14	1531557	Insert.....	4
15	1536813	Handle (Grab).....	1
16	1510113	Capscrew.....	2

NON SUSPENSION SEAT (Figure 1-7) WITHOUT ELECTRONIC CONTROLS



HP120851

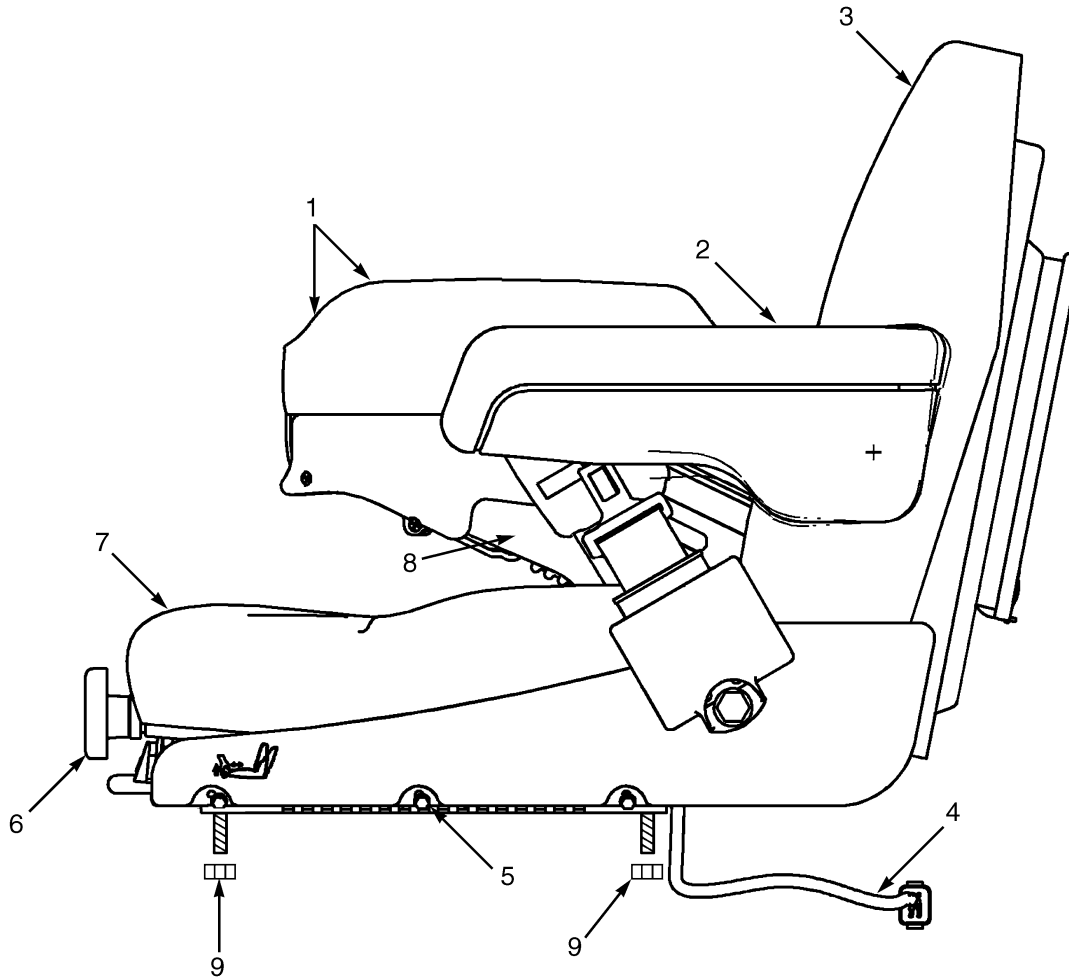
NON SUSPENSION SEAT WITHOUT ELECTRONIC CONTROLS

ITEM	PART NO.	DESCRIPTION	QTY
	1593409	Non-Suspension Seat (Vinyl).....	1
1	1563351	Cushions (Vinyl)	1
2	1598504	Seat Belt Kit.....	1
3	1459173	Slide Kit	1
4	1591652	Harness Kit.....	1
4	2075429	Wire Harness	1
4	2070392	Pigtail	1
5	1500912	Clip	1
6	1582464	Fastener	1
7	1500901	Clip	1
8	320158	Washer	4
9	145639	Nut.....	4
	a 1563215	Sensor (Operator Presence)	1

FOOTNOTES:

a Not Illustrated

SEMI SUSPENSION SEAT (Figure 1-8) WITH AND WITHOUT ELECTRONIC CONTROLS



BP120109

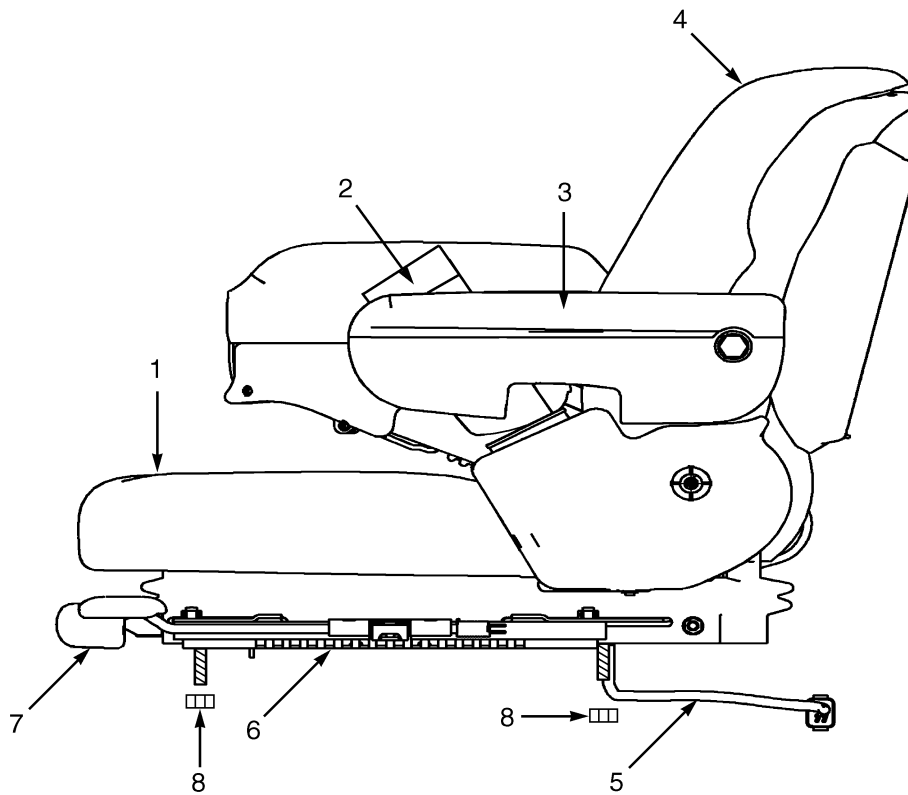
SEMI SUSPENSION SEAT WITH AND WITHOUT ELECTRONIC CONTROLS

KEY:**A: Without Arm Controls****B: With Arm Controls**

ITEM	PART NO.	DESCRIPTION	QTY	
			A	B
	1593411	Seat Assembly (Vinyl).....	1	..
	1593412	Seat Assembly (Cloth).....	1	..
	1593415	Seat Assembly (Vinyl).....	..	1
	1593416	Seat Assembly (Cloth).....	..	1
1	1453882	Armrest.....	1	..
1	1453883	Armrest.....	1	..
2	1563210	Foam Cap (Electronic Control Arm)	1
2	1563211	Knobs (Electronic Control Arm).....	..	1
3	1382111	Back Cushion (Vinyl).....	1	1
3	1382113	Back Cushion (Cloth)	1	1
4	2075429	Wire Harness	1	..
4	2075428	Wire Harness	1
5	1459173	Slide Kit	1	..
5	1563895	Slide Kit	1
6	1563227	Weight Adjust Knob.....	1	1
7	1382112	Seat Cushion (Vinyl).....	1	1
7	1382114	Seat Cushion (Cloth).....	1	1
8	1598504	Seat Belt Kit.....	1	1
9	191941	Nut	4	4
	a 1362049	Shock Absorber Kit.....	1	1
	a 1563215	Sensor (Operator Presence).....	1	1

FOOTNOTES:**a** Not Illustrated

FULL SUSPENSION SEAT (Figure 1-9) WITH AND WITHOUT ELECTRONIC CONTROLS



BP120111

FULL SUSPENSION SEAT WITH AND WITHOUT ELECTRONIC CONTROLS

KEY:

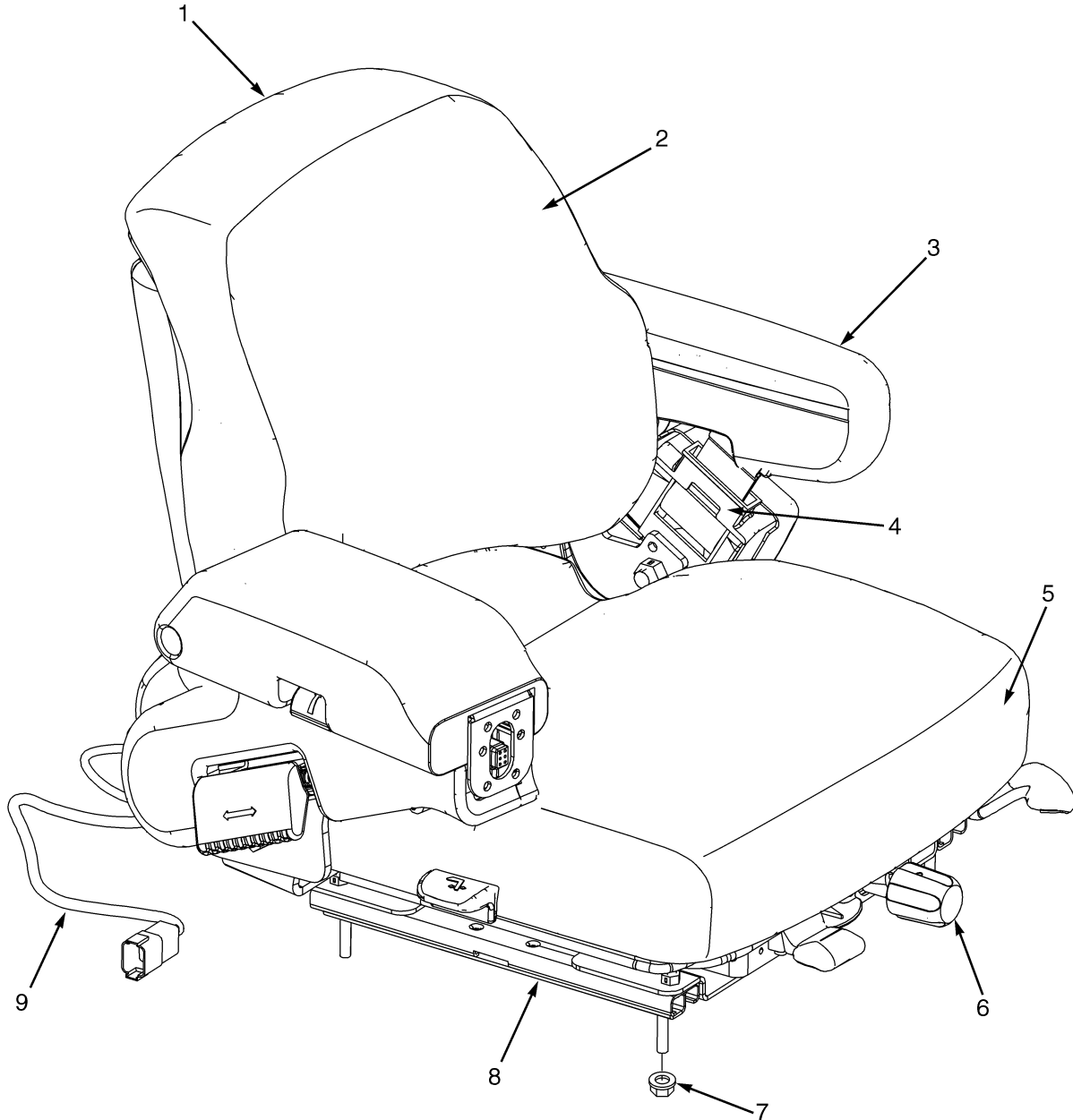
- A: Full Suspension (Vinyl)**
B: Full Suspension (Cloth)
C: Full Suspension (Vinyl with Electronic Control Arm)
D: Full Suspension (Cloth with Electronic Control Arm)

ITEM	PART NO.	DESCRIPTION	QTY			
			A	B	C	D
	1593413	Full Suspension Seat (Vinyl).....	1
	1593414	Full Suspension Seat (Cloth).....	..	1
	1593417	Full Suspension Seat (Vinyl).....	1	..
	1593418	Full Suspension Seat (Cloth).....	1
1	1563207	Seat Cushion.....	1	..	1	..
1	1566453	Seat Cushion.....	..	1	..	1
2	1598504	Seat Belt Kit.....	1	1	1	1
3	1563230	Arm Cushion (LH)	1	1	1	1
3	1563231	Arm Cushion (RH).....	1	1
4	1470152	Back Cushion (Vinyl)	1	..	1	..
4	1470153	Back Cushion (Cloth)	1	..	1
5	2075429	Wire Harness.....	1	1
5	2075428	Wire Harness	1	1
6	1470161	Slide Kit.....	1	1	1	1
7	1470163	Weight Adjuster Kit.....	1	1	1	1
8	191941	Nut.....	4	4	4	4
	a 1483828	Shock Kit.....	1	1	1	1
	a 1563210	Foam Cap (Electronic Control Arm).....	1	1
	a 1563211	Knobs (Electronic Control Arm)	1	1
	a 1563208	Sensor	1	1	1	1

FOOTNOTES:

- a** Not Illustrated

FULL SUSPENSION SWIVEL SEAT (Figure 1-10) WITH AND WITHOUT ELECTRONIC CONTROLS



BP120119

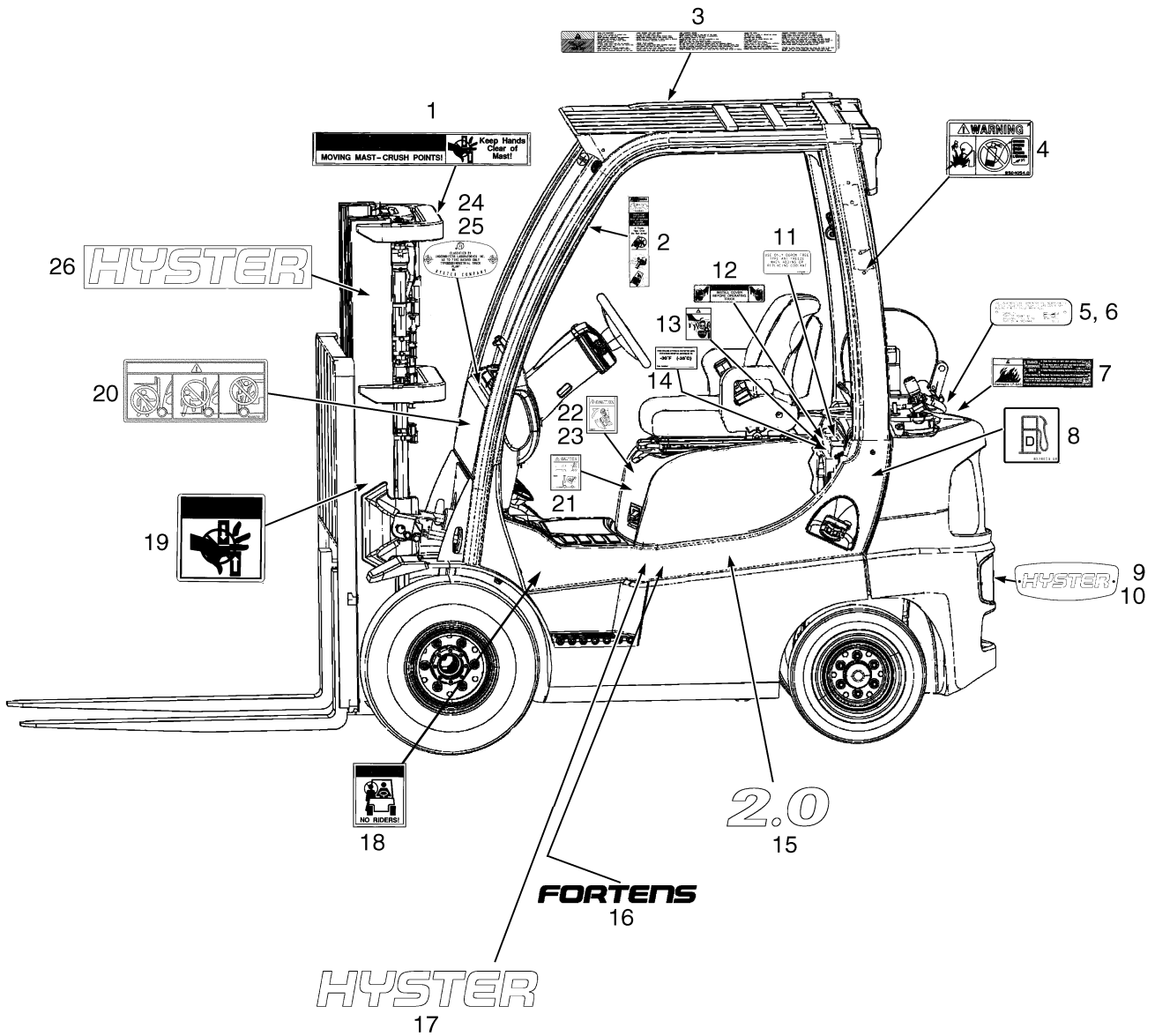
FULL SUSPENSION SWIVEL SEAT WITH AND WITHOUT ELECTRONIC CONTROLS

ITEM	PART NO.	DESCRIPTION	QTY
1	1593421	Seat Assembly (Vinyl) (With Armrests).....	1
1	1593422	Seat Assembly (Cloth) (With Armrests).....	1
1	1593423	Seat Assembly (Vinyl) (With Electronic Controls).....	1
1	1593424	Seat Assembly (Cloth) (With Electronic Controls).....	1
2	1470152	Back Cushion (Vinyl).....	1
2	1470153	Back Cushion (Cloth).....	1
3	1563230	Arm Cushion (LH).....	1
4	1598504	Seat Belt Kit.....	1
5	1563207	Seat Cushion (Vinyl).....	1
5	1566453	Seat Cushion (Cloth).....	1
6	1470163	Weight Adjuster Kit.....	1
7	191941	Nut.....	4
8	1470161	Slide Kit.....	1
9	2075429	Wire Harness (Without Electronic Controls).....	1
9	2075428	Wire Harness (With Electronic Controls).....	1
	a 1563211	Knobs (Electronic Control Arm).....	1
	a 1563210	Foam Cap (Electronic Control Arm).....	1
	a 1563231	Arm Cushion (RH) (Without Electronic Controls).....	1
	a 1483828	Shock Kit.....	1
	a 1563208	Sensor.....	1

FOOTNOTES:

a Not Illustrated

LABELS (Figure 1-11) EXTERIOR



BP120116

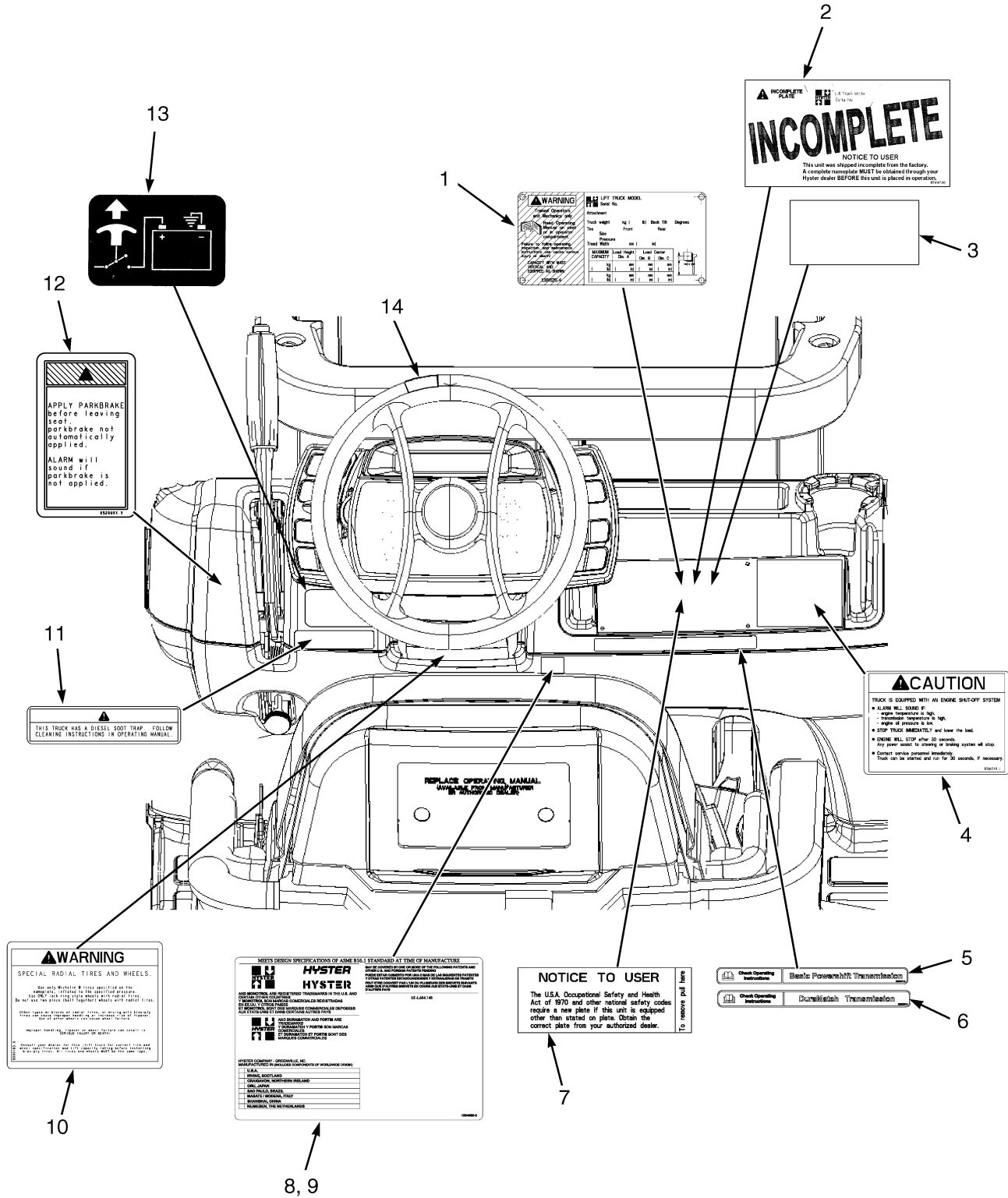
**LABELS
EXTERIOR**

ITEM	PART NO.	DESCRIPTION	QTY
1	1343276	Label (Mast Warning)	1
2	1359588	Label (Operator Restraint)	2
3	2073198	Label (Operator Warning)	1
4	b 2034460	Label (Ether Warning)	1
5	1501258	Nameplate (LP Tank)	1
6	170658	Rivet	4
7	1354172	Label (Flammable LPG)	1
8	2074256	Label (Diesel Fuel Only)	1
9	1566953	Plate (Hyster Logo)	1
10	1566951	Fastener	2
11	1375676	Label (Boron Free Anti-Freeze Only)	1
12	1345926	Label (Fan Warning)	1
13	1300094	Label (Fan Warning)	2
14	1354165	Label (Anti-Freeze)	2
15	1598331	Label (Model 1.6)	2
15	1598330	Label (Model 1.8)	2
15	1598305	Label (Model 2.0)	2
16	1601748	Label (Fortens)	2
17	1586440	Label (Hyster)	2
18	1339828	Label (No Riders)	2
19	1339832	Label (Pinch Point)	2
20	2075655	Label (Mast Warning)	2
21	2075417	Label (Locking Gas Spring)	1
22	2074740	Label (Joystick Caution)	1
23	c 2075614	Label (Hood Opening Warning)	1
23	1588085	Label (Swivel Seat)	1
24	a	Inspection Plate	1
25	170658	Rivet	2
26	1562353	Label (Hyster)	2

FOOTNOTES:

- a** Contact Your Local Hyster Dealer
- b** Diesel Only
- c** LPG Only

LABELS (Figure 1-12) INTERIOR



BP110028

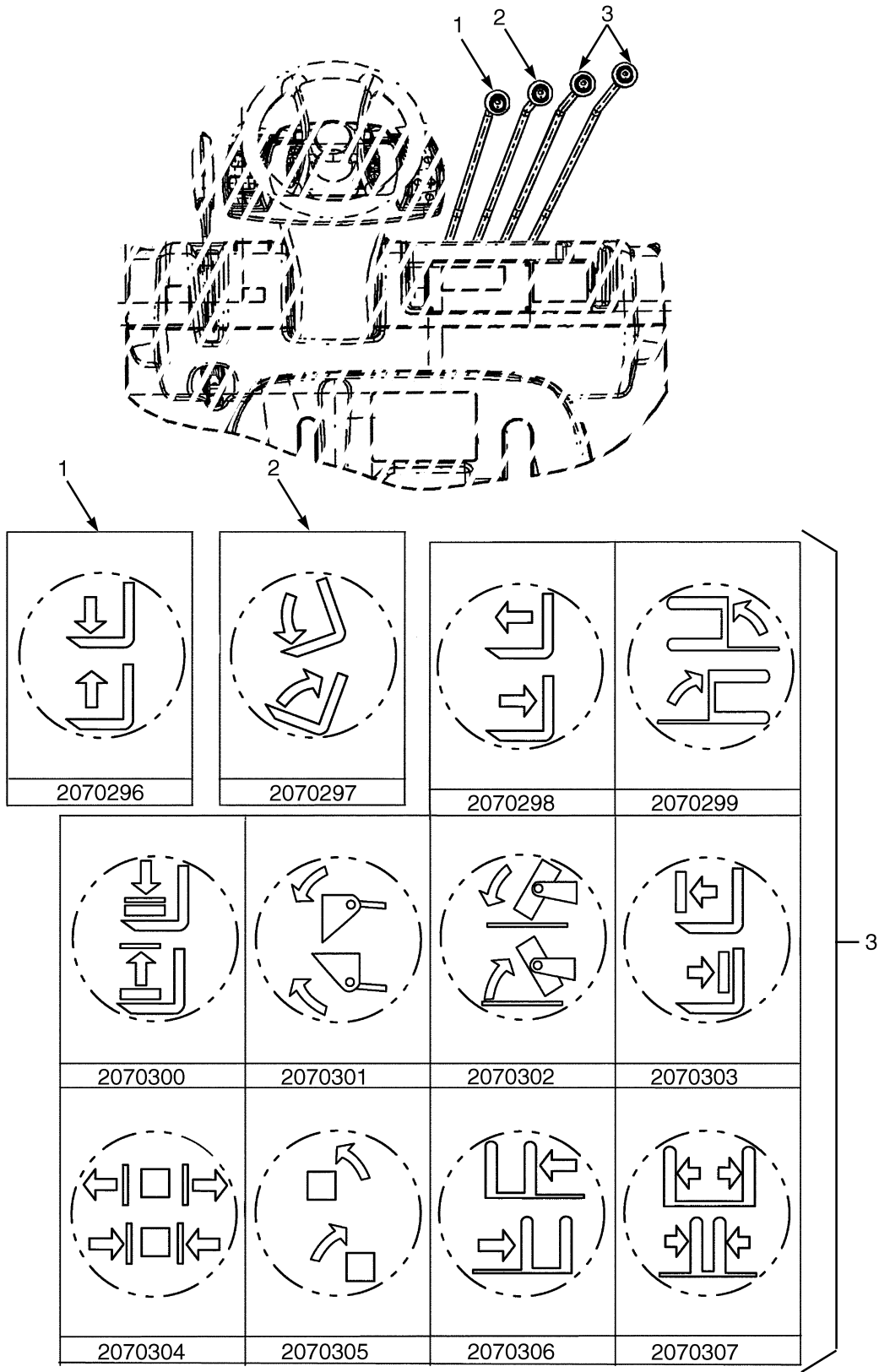
**LABELS
INTERIOR**

ITEM	PART NO.	DESCRIPTION	QTY
1	a	Nameplate	1
2	1574147	Label (Incomplete Truck Nameplate)	1
3	389688	Cover	1
4	2038100	Label (Drive Train Protection)	1
5	1589377	Label (Basic Powershift Transmission)	1
6	1589397	Label (DuraMatch Transmission)	1
7	1335138	Nameplate Tag	1
8	1534660	Label (Patents and Trademarks).....	1
9	170658	Rivet.....	4
10	1374775	Label (Radial Tire Warning).....	1
11	1365830	Label (Caution Soot Trap).....	1
12	2074210	Label (Park Brake Warning).....	1
13	1324480	Label (Battery Switch)	1
14	1365843	Label (Diesel Caution Soot Trap).....	1

FOOTNOTES:

a Contact Your Local Hyster Dealer

CONTROL LEVER LABELS (Figure 1-13)

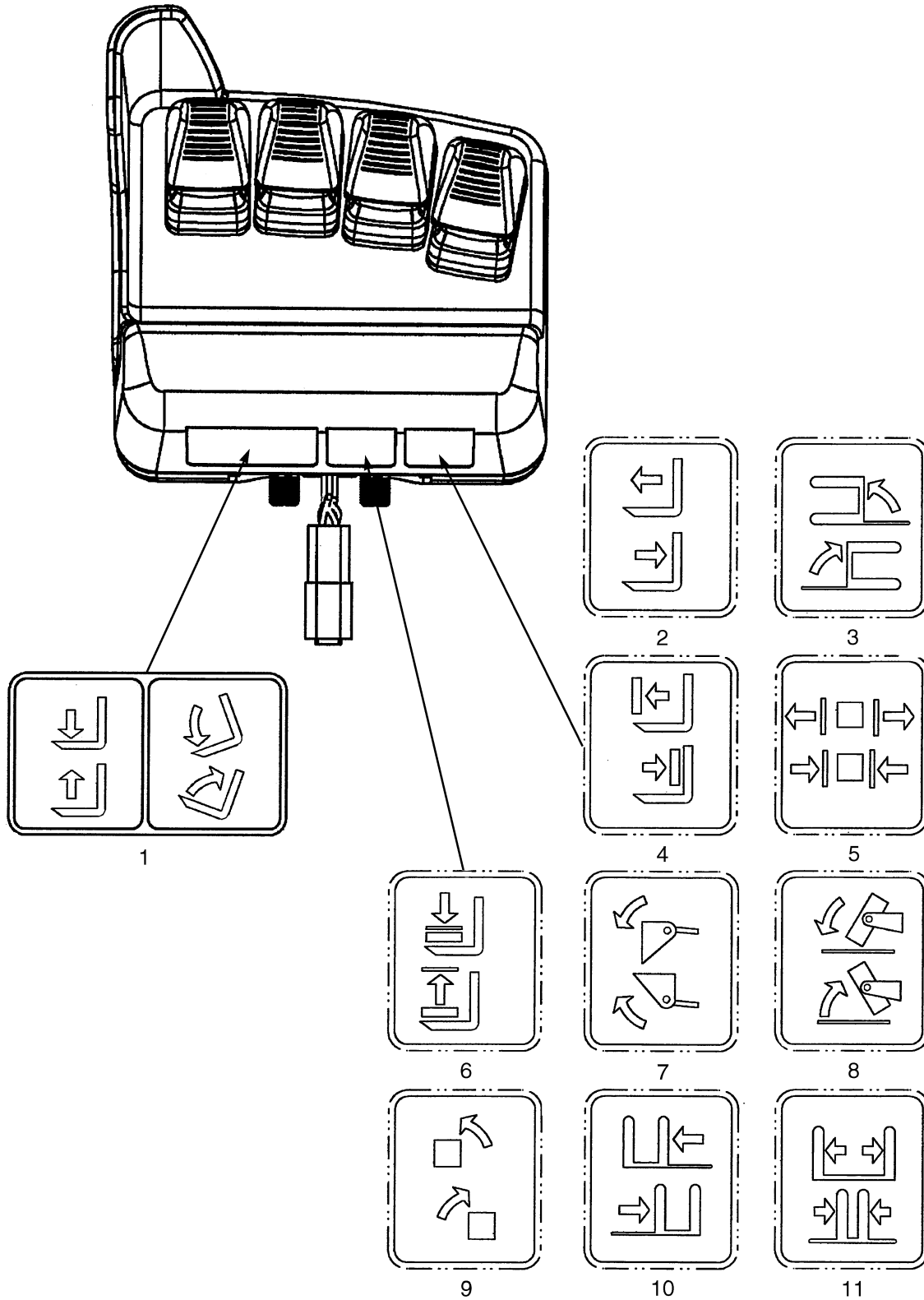


HP120829

CONTROL LEVER LABELS

ITEM	PART NO.	DESCRIPTION	QTY
1	2070296	Lens (Lift).....	1
2	2070297	Lens (Tilt).....	1
3	2070298	Lens (Reach).....	1
3	2070299	Lens (Swing).....	1
3	2070300	Lens (Load Stabilizer).....	1
3	2070301	Lens (Scoop).....	1
3	2070302	Lens (Uponder).....	1
3	2070303	Lens (Push/Pull).....	1
3	2070304	Lens (Clamp).....	1
3	2070305	Lens (Rotate).....	1
3	2070306	Lens (Side-Shift).....	1
3	2070307	Lens (Fork Spread).....	1

ELECTRONIC LEVER LABELS (Figure 1-14)

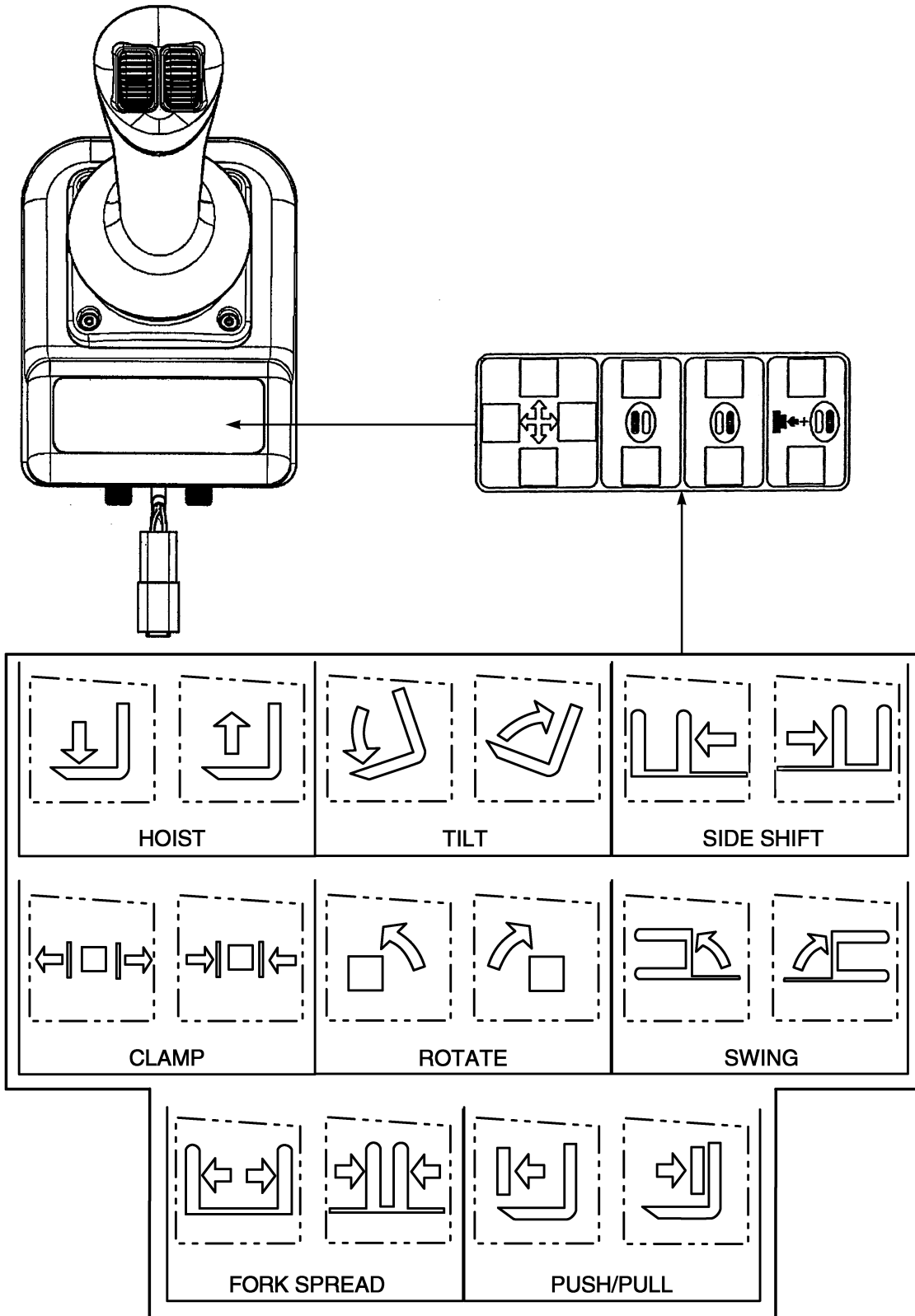


YP120188

ELECTRONIC LEVER LABELS

ITEM	PART NO.	DESCRIPTION	QTY
1	1581055	Label (Hoist and Tilt)	1
2	2073115	Label (Reach)	1
3	2073114	Label (Swing).....	1
4	2073116	Label (Load Stabilizer).....	1
5	2073117	Label (Scoop)	1
6	2073119	Label (Upender).....	1
7	2073118	Label (Push/Pull)	1
8	2073120	Label (Clamp)	1
9	2073121	Label (Rotate).....	1
10	2073122	Label (Side-Shift).....	1
11	2073123	Label (Fork Spread).....	1

JOYSTICK LABELS (Figure 1-15)

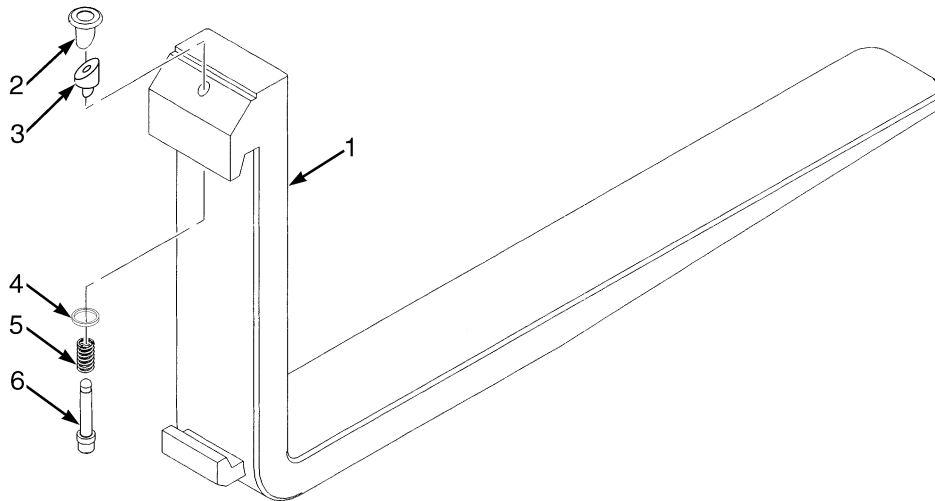


YP120187

JOYSTICK LABELS

ITEM	PART NO.	DESCRIPTION	QTY
	2070481	Label Set (Hoist and Tilt)	1
	2070482	Label Set (Hoist and Tilt, Side-Shift)	1
	2070483	Label Set (Hoist and Tilt, Side-Shift, Fork Spread).....	1
	2070484	Label Set (Hoist and Tilt, Side-Shift, Push/Pull)	1
	2070486	Label Set (Hoist and Tilt, Clamp).....	1
	2070487	Label Set (Hoist and Tilt, Side-Shift, Clamp)	1
	2070488	Label Set (Hoist and Tilt, Side-Shift, Rotate).....	1
	2070489	Label Set (Hoist and Tilt, Side-Shift, Rotate, Clamp).....	1
	2070491	Label Set (Hoist and Tilt, Rotate, Clamp)	1
	2070495	Label Set (Hoist and Tilt, Swing, Clamp).....	1
	2070496	Label Set (Hoist and Tilt, Swing, Rotate, Clamp)	1

FORKS (Figure 1-16)



HP120794

KEY:

A: 80 mm x 40 mm (4 in. x 1.5 in.) Standard Taper

B: 100 mm x 40 mm (4 in. x 1.5 in.) Full Bottom Taper

ITEM	PART NO.	DESCRIPTION	QTY	
			A	B
1	1327021	Fork (991 mm)	2	..
1	1327022	Fork (1092 mm)	2	..
1	1327023	Fork (1194 mm)	2	..
1	1333043	Fork (1000 mm)	2
1	1333044	Fork (1100 mm)	2
1	1333045	Fork (1200 mm)	2
2	1523732	Knob	1	1
3	1477237	Wedge	1	1
4	1477166	Washer	1	1
5	1500782	Spring	1	1
6	1523733	Pin	1	1
7	1523734	Retainer Pin	1	1
	1523735	Latch Kit (Class II) (Includes Items 2-7)	2	2

BUY NOW

**Then Instant Download
the Complete Manual
Thank you very much!**