

# **PARTS MANUAL**

---

## **ELECTRIC**

**E2.00-3.20XM  
(F108)**

**CUSTOMER EDITION**

---

# ***HYSTER***

**SECTIONS**

<b>1</b>	<b>FRAME</b>
<b>2</b>	<b>ELECTRICAL SYSTEM</b>
<b>3</b>	<b>DRIVE UNIT</b>
<b>4</b>	<b>STEERING SYSTEM</b>
<b>5</b>	<b>BRAKE/ACCELERATOR SYSTEM</b>
<b>6</b>	<b>HYDRAULIC SYSTEM</b>
<b>7</b>	<b>MAST-TWO STAGE LIMITED FREE-LIFT</b>
<b>8</b>	<b>MAST-THREE STAGE FULL FREE-LIFT</b>
<b>9</b>	<b>MAST-TWO STAGE FULL FREE-LIFT</b>
<b>10</b>	<b>OPTIONS</b>
<b>11</b>	<b>NUMERICAL INDEX</b>

This Parts Manual is divided into 11 major sections which are listed above. Quick reference to these sections can be made by placing the right thumb on the tab of the desired section, bending the book back and thumbing the pages to the corresponding tab.

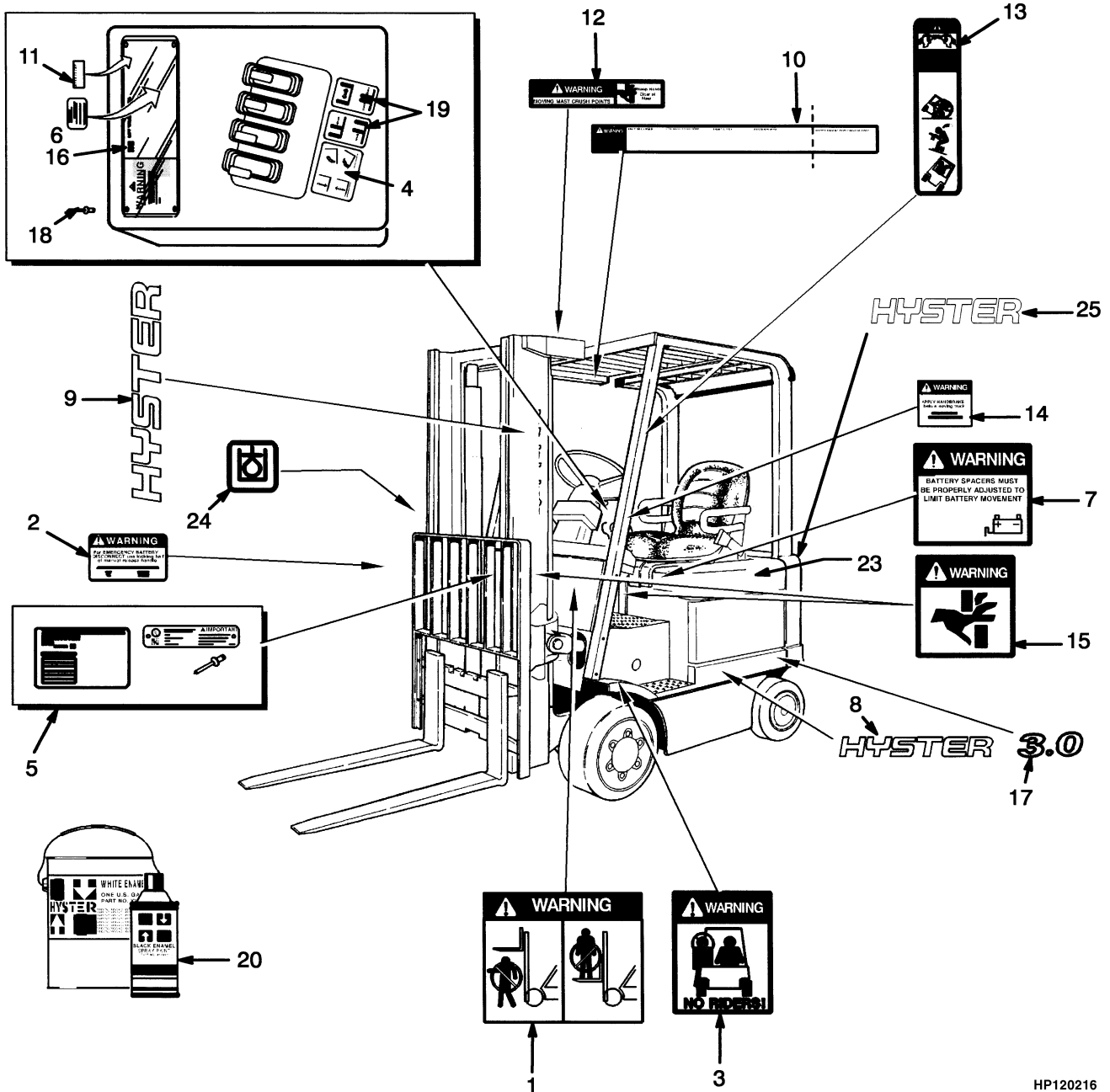
**1**

**FRAME**

**SECTION 1**  
**FRAME**

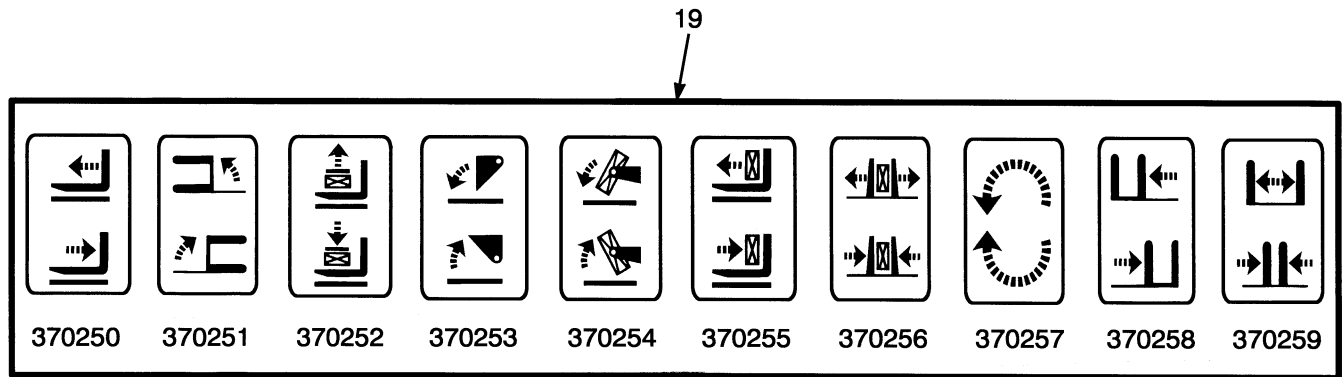
DESCRIPTION	PAGE
COUNTERWEIGHT .....	1-26
COVERS	
D/B 10/1999⇒ .....	1-18
⇒D/B 10/1999 .....	1-14
FORKS	
E2.00-2.50XM .....	1-42
E3.00-3.20XM .....	1-44
FRAME	
D/B 10/1999⇒ .....	1-10
⇒D/B 10/1999 .....	1-6
FULL SUSPENSION SEAT	
SHEET 1 OF 2	
D/B 12/2000⇒ .....	1-38
SHEET 2 OF 2	
D/B 12/2000⇒ .....	1-40
HOOD .....	1-28
HOOD LATCH .....	1-32
LABELS AND PAINT .....	1-3
LOAD BACKREST EXTENSION .....	1-46
NON-SUSPENSION SEAT	
SEARS .....	1-34
OVERHEAD GUARD	
⇒S/N F108A-2962 .....	1-22
S/N F108A-2963⇒ .....	1-24
SEMI-SUSPENSION SEAT .....	1-36

## LABELS AND PAINT (Figure 1-1)



HP120216

**LABELS AND PAINT**



HP120066

ITEM	PART NO.	DESCRIPTION	QTY
1	1339830	Label (Mast Warning) .....	2
2	1342698	Label (Battery Disconnect) .....	1
3	1339828	Label (No Riders) .....	2
4	369573	Label (Lift/Tilt).....	1
5	320037	Label (Patent Plate) .....	1
6	a . . . . .	Nameplate .....	1
7	1342699	Label (Battery Spacer).....	1
8	1339674	Label (Hyster) .....	2
9	1339672	Label (Hyster) .....	2
10	1335140	Label (Operator Warning).....	1
11	1335138	Nameplate Tag (Notice To User).....	1
12	1343276	Label (Mast Warning) .....	1
13	1335143	Label (Tip Over Warning) .....	2
14	d 1357001	Label (Park Brake Warning).....	1
14	c 2310911	Label (Parking Brake Warning).....	1
15	1339832	Label (Pinch Point) .....	3
16	389687	Nameplate Cover .....	1
17	1339667	Label (Model 2.00).....	2
17	1339668	Label (Model 2.50).....	2
17	1339669	Label (Model 3.00).....	2
17	1339670	Label (Model 3.20).....	2
18	1380584	Rivet.....	4
19	370250	Label (Auxiliary Function - Reach) .....	1
19	370251	Label (Auxiliary Function - Swing) .....	1
19	370252	Label (Auxiliary Function - Stabilizer) .....	1
19	370253	Label (Auxiliary Function - Dump/Scoop) .....	1
19	370254	Label (Auxiliary Function - Upender) .....	1
19	370255	Label (Auxiliary Function - Push/Pull).....	1
19	370256	Label (Auxiliary Function - Clamp) .....	1
19	370257	Label (Auxiliary Function - Rotate) .....	1
19	370258	Label (Auxiliary Function - Side-Shift) .....	1
19	370259	Label (Auxiliary Function - Fork Spreader) .....	1
20	1345808	Paint (Yellow) (One Gallon).....	AR
20	1345809	Paint (Yellow) (Spray).....	AR
21	316844	Paint (Red) (Spray) .....	AR
22	1344901	Paint (Low Gloss Black) (Spray) .....	AR
22	1344902	Paint (Low Gloss Black) (One Gallon) .....	AR
23	1379808	Label (Hood Latch) .....	1

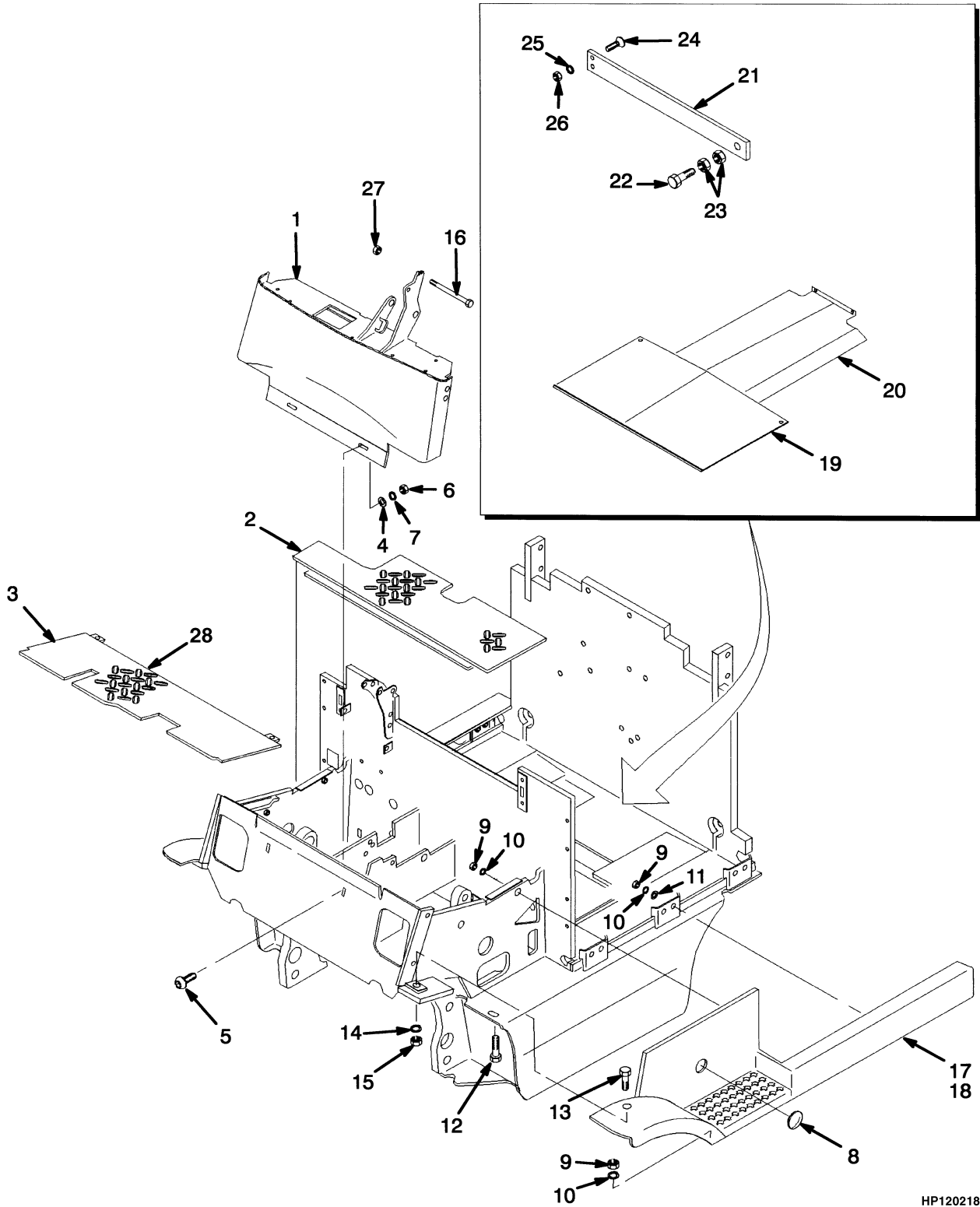
## LABELS AND PAINT

ITEM	PART NO.	DESCRIPTION	QTY
24	1385099	Label (Hydraulic Oil Fill).....	1
25	<b>b</b> 893523	Label (Hyster) (Counterweight).....	1

**FOOTNOTES:**

- a** Contact your Local Hyster Dealer
- b** Optional
- c** With Park Brake Alarm
- d** Without Parking Brake Alarm

## FRAME (Figure 1-2) (⇒D/B 10/1999)



HP120218



**FRAME**  
(⇒D/B 10/1999)**KEY:****A: 700 mm Battery Compartment****B: 847 mm Battery Compartment****C: 1015 mm Battery Compartment**

ITEM	PART NO.	DESCRIPTION	QTY		
			A	B	C
1	<b>h</b> 1340178	Cowl.....	1	1	1
1	<b>c</b> 1452068	Cowl.....	1	1	1
1	<b>d</b> 1460339	Cowl.....	1	1	1
1	1465530	Cowl.....	1	1	1
2	<b>f</b> 1453240	Wire Harness.....	1	1	1
2	<b>g</b> 1457085	Floorplate.....	1	1	1
3	<b>f</b> 1388456	Floorplate.....	1	1	1
3	<b>g</b> 1457081	Floorplate.....	1	1	1
4	15176	Washer .....	8	8	8
5	17105	Bolt .....	2	2	2
6	15056	Nut .....	2	2	2
7	15156	Lockwasher.....	2	2	2
8	1356377	Plug .....	2	2	2
9	<b>g</b> 136692	Nut .....	10	10	10
9	<b>f</b> 136692	Nut .....	12	12	12
10	<b>g</b> 292682	Lockwasher.....	10	10	10
10	<b>f</b> 292682	Lockwasher.....	12	12	12
11	86936	Washer .....	6	6	6
12	136985	Capscrew.....	2	2	2
13	292529	Capscrew.....	2	2	2
14	292683	Lockwasher.....	2	2	2
15	216877	Nut .....	2	2	2
16	18494	Capscrew.....	1	1	1
17	1340071	Fender (LH) .....	1	..	..
17	1340072	Fender (LH) .....	..	1	..
17	<b>b</b> 1362192	Fender (LH) .....	1	..	..
17	<b>b</b> 1362193	Fender (LH) .....	..	1	..
17	<b>b</b> 1362194	Fender (LH) .....	..	..	1
17	1362255	Fender (LH) .....	..	..	1
18	1340211	Fender (RH).....	1	..	..
18	1340212	Fender (RH).....	..	1	..
18	<b>b</b> 1362195	Fender (RH).....	1	..	..
18	<b>b</b> 1362196	Fender (RH).....	..	1	..
18	<b>b</b> 1362197	Fender (RH).....	..	..	1
18	1362254	Fender (RH).....	..	..	1
19	<b>ae</b> 1340222	Cover .....	..	1	..
19	<b>ae</b> 1340224	Cover .....	..	..	1
19	<b>ae</b> 2023868	Cover .....	1	..	..
20	325521	Cover .....	1	1	1
21	<b>i</b> 1340262	Plate .....	1	1	1
21	<b>j</b> 2023978	Plate .....	1	1	1
22	292584	Capscrew.....	1	1	1
23	296136	Nut .....	2	2	2
24	296227	Capscrew.....	2	2	2
25	292681	Lockwasher.....	2	2	2
26	239503	Nut .....	2	2	2

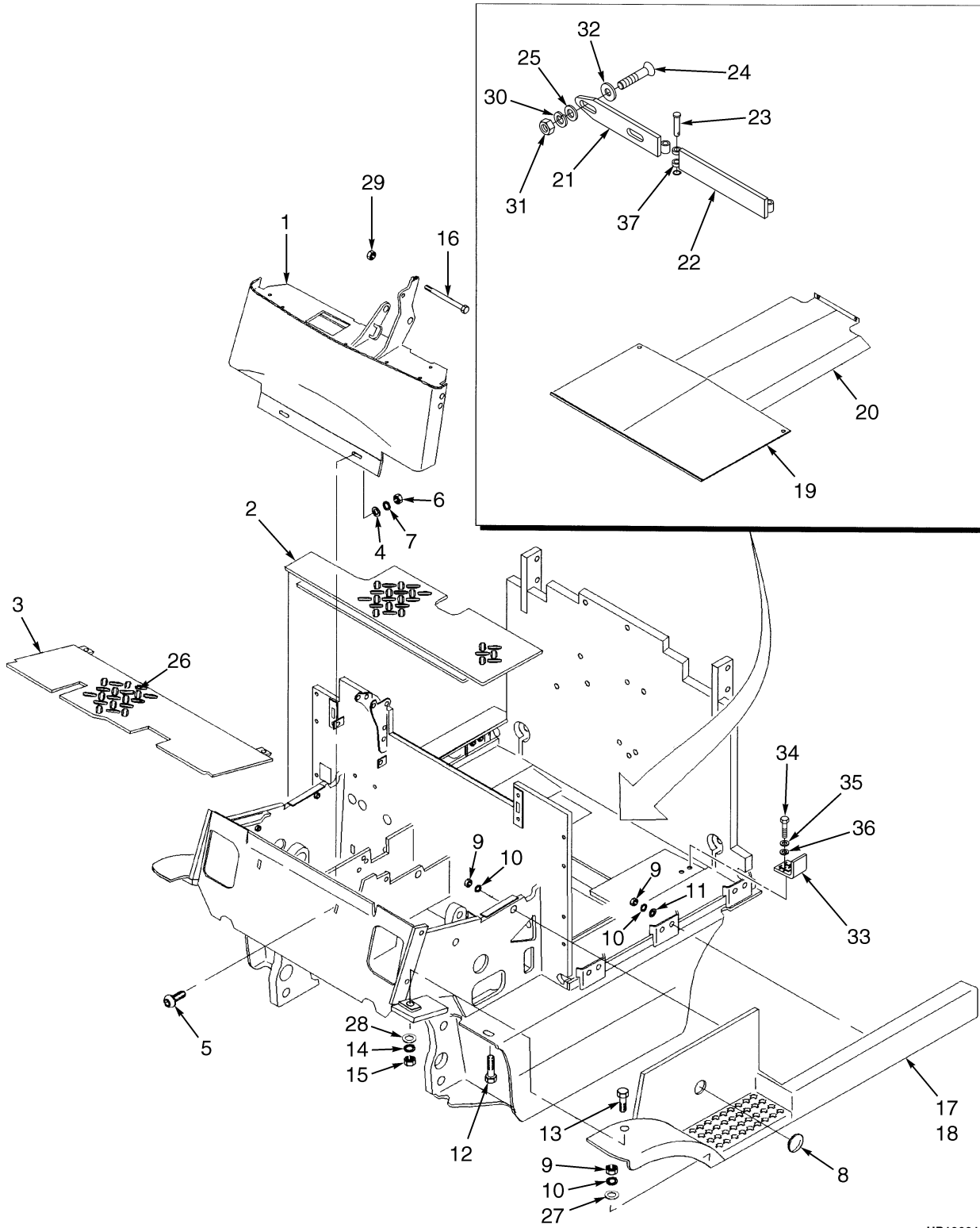
## FRAME (⇒D/B 10/1999)

ITEM	PART NO.	DESCRIPTION	QTY		
			A	B	C
27	169874	Nut.....	1	1	1
28	895970	Floormat.....	1	1	1

**FOOTNOTES:**

- a** Optional
- b** Wide Track
- c** D/B 11/1997 ⇒ S/N F108A04068W
- d** S/N F108A04069W ⇒
- e** D/B 01/1997 ⇒
- f** ⇒ D/B 02/1998
- g** D/B 02/1998 ⇒
- h** ⇒ D/B 04/1997
- i** ⇒ D/B 09/1996
- j** D/B 09/1996 ⇒

## FRAME (Figure 1-3) (D/B 10/1999⇒)



HP120219

**FRAME**  
**(D/B 10/1999⇒)****KEY:****A: 700 mm Battery Compartment****B: 847 mm Battery Compartment****C: 1015 mm Battery Compartment**

ITEM	PART NO.	DESCRIPTION	QTY		
			A	B	C
1	1465530	Cowl.....	1	1	1
2	1388456	Floorplate.....	1	1	1
3	1453420	Floorplate.....	1	1	1
4	15176	Washer .....	4	4	4
5	17105	Bolt .....	2	2	2
6	15056	Nut .....	2	2	2
7	15156	Lockwasher.....	2	2	2
8	1350231	Plug .....	2	2	2
9	136692	Nut .....	12	12	12
10	292682	Lockwasher.....	12	12	12
11	86936	Washer .....	6	6	6
12	136985	Capscrew.....	2	2	2
13	292529	Capscrew.....	2	2	2
14	292683	Lockwasher.....	2	2	2
15	216877	Nut .....	2	2	2
16	18494	Capscrew.....	1	1	1
17	1340071	Fender (LH) .....	1	..	..
17	1340072	Fender (LH) .....	..	1	..
17	<b>a</b> 1362192	Fender (LH) .....	1	..	..
17	<b>a</b> 1362193	Fender (LH) .....	..	1	..
17	<b>a</b> 1362194	Fender (LH) .....	..	..	1
17	1362255	Fender (LH) .....	..	..	1
18	1340211	Fender (RH).....	1	..	..
18	1340212	Fender (RH).....	..	1	..
18	<b>a</b> 1362195	Fender (RH).....	1	..	..
18	<b>a</b> 1362196	Fender (RH).....	..	1	..
18	<b>a</b> 1362197	Fender (RH).....	..	..	1
18	1362254	Fender (RH).....	..	..	1
19	1340220	Cover .....	1	..	..
19	1340222	Cover .....	..	1	..
19	1340224	Cover .....	..	..	1
20	325521	Cover .....	1	1	1
21	1493955	Plate .....	1	1	1
22	1493957	Plate .....	1	1	1
23	1509942	Pin .....	2	2	2
24	296249	Capscrew.....	2	2	2
25	296421	Washer .....	2	2	2
26	895970	Floormat .....	1	1	1
27	320160	Washer .....	2	2	2
28	320162	Washer .....	2	2	2
29	169874	Nut .....	1	1	1
30	292682	Lockwasher.....	2	2	2
31	136692	Nut .....	2	2	2
32	361973	Spacer .....	16	16	16
33	<b>b</b> 1483375	Spacer .....	2	2	2
34	<b>b</b> 136681	Capscrew.....	4	4	4

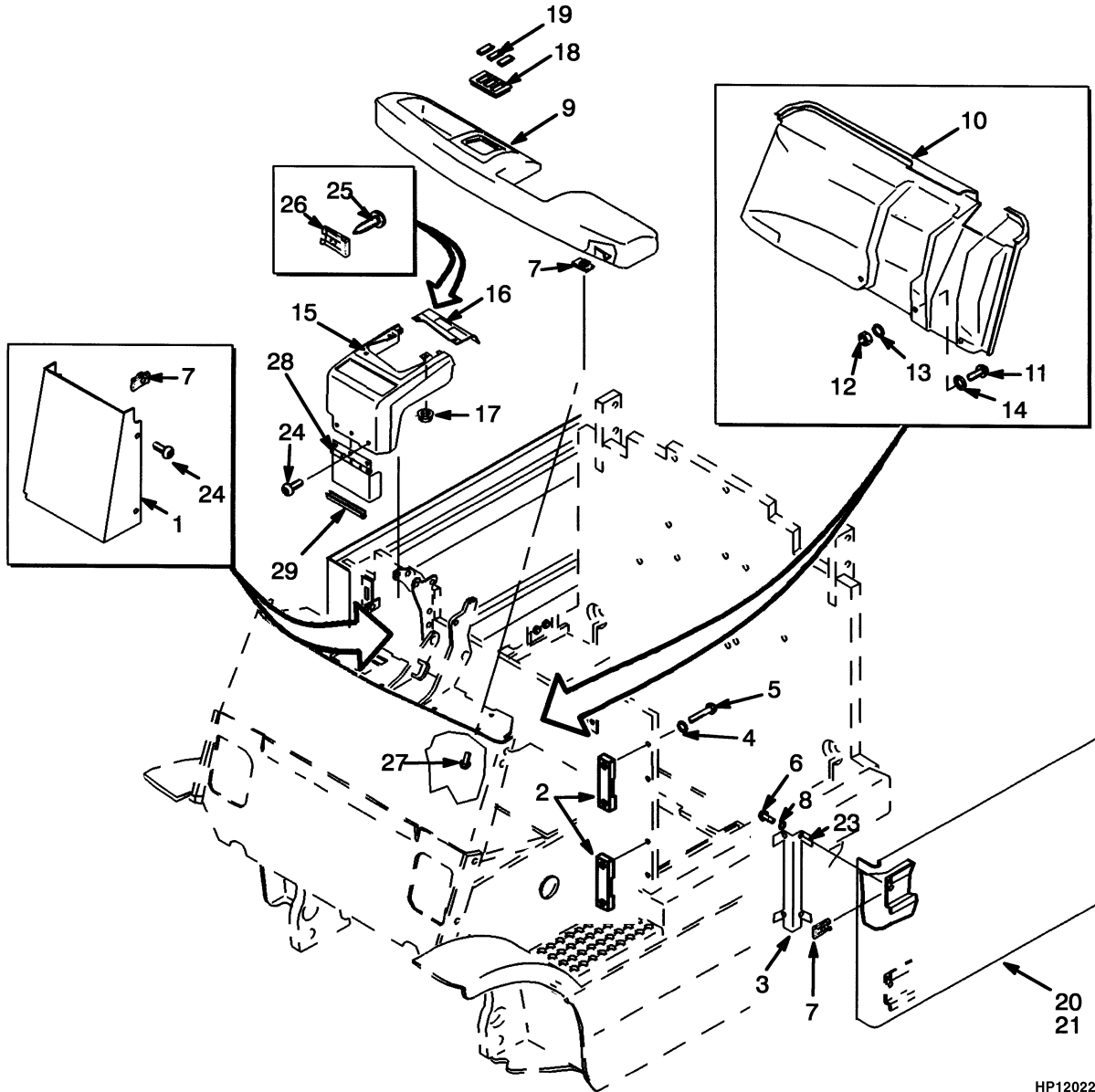
## FRAME (D/B 10/1999⇒)

ITEM	PART NO.	DESCRIPTION	QTY		
			A	B	C
35	<b>b</b> 320158	Washer .....	4	4	4
36	<b>b</b> 292681	Lockwasher.....	4	4	4
37	58951	Snap Ring.....	2	2	2

**FOOTNOTES:**

- a** Wide Track
- b** With Battery Rollers

## COVERS (Figure 1-4) (⇒D/B 10/1999)



HP120220

**COVERS**  
(⇒D/B 10/1999)**KEY:****A: 700 mm Battery Compartment****B: 847 mm Battery Compartment****C: 1015 mm Battery Compartment**

ITEM	PART NO.	DESCRIPTION	QTY		
			A	B	C
1	1340683	Plate .....	1	1	1
2	1340218	Catch .....	4	4	4
3	1377667	Plate .....	4	4	4
4	296360	Washer .....	8	8	8
5	296166	Capscrew.....	8	8	8
6	296159	Capscrew.....	10	10	10
7	1354323	Nut (Foldover).....	23	23	23
8	292680	Lockwasher.....	8	8	8
9	<b>c</b> 1339086	Dash .....	1	1	1
9	<b>d</b> 1460633	Dash .....	1	1	1
9	<b>e</b> 1465533	Dash .....	1	1	1
10	<b>a</b> 1339088	Liner.....	1	1	1
10	<b>bi</b> 1390322	Liner.....	1	1	1
10	<b>h</b> 1460397	Liner.....	1	1	1
11	296167	Capscrew.....	2	2	2
12	239503	Nut .....	2	2	2
13	292681	Lockwasher.....	2	2	2
14	<b>a</b> 1300117	Washer .....	2	2	2
14	<b>bi</b> 320158	Washer .....	2	2	2
15	1381909	Cover .....	1	1	1
16	1381910	Cover .....	1	1	1
17	169874	Nut .....	3	3	3
18	<b>g</b> 1382311	Mounting Panel (End).....	2	2	2
18	<b>g</b> 1382312	Mounting Panel (Center).....	1	1	1
18	<b>f</b> 376947	Bezel.....	1	1	1
19	<b>g</b> 1382313	Cover (With Lights).....	2	2	2
19	<b>g</b> 1382313	Cover (Without Lights).....	3	3	3
19	<b>f</b> 376949	Cover (With Lights).....	2	2	2
19	<b>f</b> 376949	Cover (Without Lights).....	3	3	3
20	1340618	Cover (LH) .....	1	..	..
20	1340619	Cover (LH) .....	..	1	..
20	1362252	Cover (LH) .....	..	..	1
21	<b>j</b> 1340621	Cover (RH).....	1	..	..
21	<b>j</b> 1340622	Cover (RH).....	..	1	..
21	<b>j</b> 1340648	Cover (RH).....	..	..	1
21	<b>k</b> 1390229	Cover (RH).....	1	..	..
21	<b>k</b> 1390230	Cover (RH).....	..	1	..
21	<b>k</b> 1390231	Cover (RH).....	..	..	1
22	1340868	Knob .....	1	1	1
23	15127	Washer .....	8	8	8
24	296161	Capscrew.....	3	3	3
25	1381919	Screw.....	2	2	2
26	1381918	Nut .....	2	2	2
27	353144	Capscrew.....	7	7	7

## COVERS (⇒D/B 10/1999)

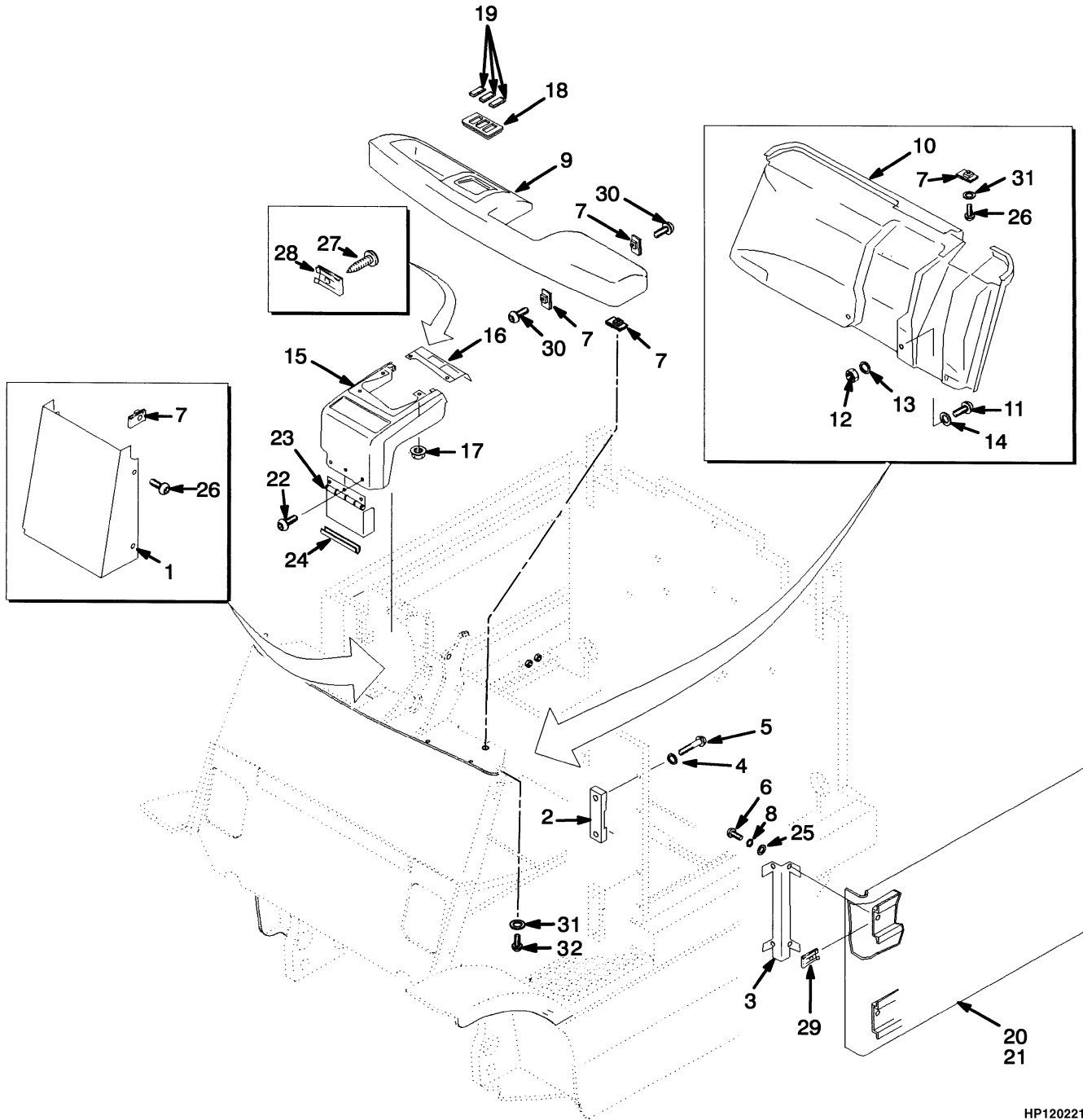
ITEM	PART NO.	DESCRIPTION	QTY		
			A	B	C
28	1364395	Cover .....	1	1	1
29	1376812	Trim.....	1	1	1

**FOOTNOTES:**

- a** ⇒ S/N F108A-02962U
- b** S/N F108A-02963U⇔S/N F108A-4068W
- c** ⇒ S/N F108A-03251V
- d** S/N F108A-03252V⇔S/N F108A-04504X
- e** S/N F108A-04505X ⇒
- f** ⇒ S/N F108A-2212
- g** S/N F108A-2213 ⇒
- h** S/N F108A-4069W ⇒
- i** S/N PENDING PER ECN 70317⇔S/N PENDING PER ECN 72804-10
- j** ⇒ D/B 07/1996
- k** D/B 07/1996 ⇒



## COVERS (Figure 1-5) (D/B 10/1999⇒)



HP120221

**COVERS**  
**(D/B 10/1999⇒)****KEY:****A: 700 mm Battery Compartment****B: 847 mm Battery Compartment****C: 1015 mm Battery Compartment**

ITEM	PART NO.	DESCRIPTION	QTY		
			A	B	C
1	1388314	Cover .....	1	1	1
2	<b>ab</b> 1340218	Catch .....	4	4	4
3	<b>ab</b> 1377667	Plate .....	4	4	4
3	<b>ac</b> 1377667	Plate .....	2	2	2
4	<b>ab</b> 296360	Washer .....	8	8	8
5	<b>ab</b> 296165	Capscrew.....	8	8	8
6	<b>ab</b> 296159	Capscrew.....	10	10	10
6	<b>ac</b> 296159	Capscrew.....	4	4	4
7	<b>b</b> 325182	Nut .....	13	13	13
7	<b>c</b> 325182	Nut .....	14	14	14
7	1354323	Nut (Foldover) (Optional) .....	14	14	14
8	<b>ab</b> 292680	Lockwasher.....	8	8	8
8	<b>ac</b> 292680	Lockwasher.....	4	4	4
9	1465533	Dash .....	1	1	1
10	1460397	Liner.....	1	1	1
11	296167	Capscrew.....	2	2	2
12	239503	Nut .....	2	2	2
13	<b>b</b> 292681	Lockwasher.....	2	2	2
14	320158	Washer .....	2	2	2
15	1381909	Cover .....	1	1	1
16	1381910	Cover .....	1	1	1
17	<b>b</b> 169874	Nut .....	3	3	3
17	<b>c</b> 169874	Nut .....	4	4	4
18	1382311	Mounting Panel (End).....	2	2	2
18	1382312	Mounting Panel (Center).....	1	1	1
19	1382313	Cover (With Lights).....	2	2	2
19	1382313	Cover (Without Lights).....	3	3	3
20	<b>ab</b> 1340618	Cover (LH) .....	1	..	..
20	<b>ac</b> 1488447	Cover (LH) .....	1	..	..
20	<b>ab</b> 1340619	Cover (LH) .....	..	1	..
20	<b>ac</b> 1488448	Cover (LH) .....	..	1	..
20	<b>ab</b> 1362252	Cover (LH) .....	..	..	1
20	<b>ac</b> 1488449	Cover (LH) .....	..	..	1
21	<b>ab</b> 1390229	Cover (RH).....	1	..	..
21	<b>ac</b> 1488451	Cover (RH).....	1	..	..
21	<b>ab</b> 1390230	Cover (RH).....	..	1	..
21	<b>ac</b> 1488452	Cover (RH).....	..	1	..
21	<b>ab</b> 1390231	Cover (RH).....	..	..	1
21	<b>ac</b> 1488453	Cover (RH).....	..	..	1
22	1364399	Screw.....	3	3	3
23	1364395	Cover .....	1	1	1
24	1376812	Trim.....	1	1	1
25	<b>ab</b> 197068	Washer .....	8	8	8
25	<b>ac</b> 197068	Washer .....	4	4	4
26	<b>b</b> 296160	Capscrew.....	6	6	6
26	<b>c</b> 296160	Capscrew.....	7	7	7

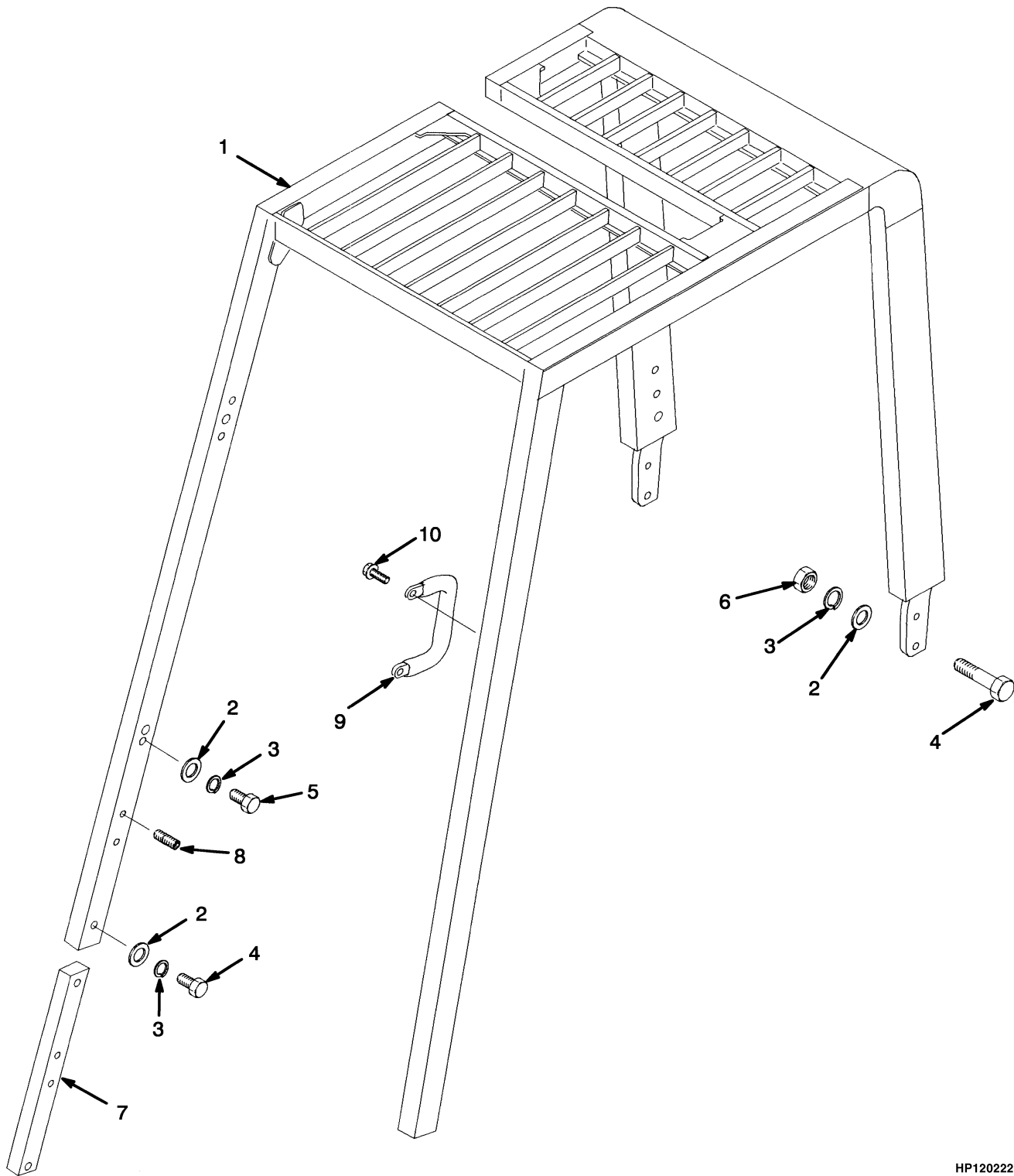
## COVERS (D/B 10/1999⇒)

ITEM	PART NO.	DESCRIPTION	QTY		
			A	B	C
27	1381919	Screw.....	2	2	2
28	1381918	Nut.....	2	2	2
29	<b>ab</b> 325182	Nut.....	8	8	8
29	<b>ac</b> 325182	Nut.....	4	4	4
30	353144	Capscrew.....	7	7	7
31	<b>b</b> 15127	Washer.....	3	3	3
31	<b>c</b> 15127	Washer.....	4	4	4
32	296161	Capscrew.....	4	4	4

**FOOTNOTES:**

- a** With Side Cover
- b** ⇒ D/B 10/2000
- c** D/B 10/2000 ⇒

## OVERHEAD GUARD (Figure 1-6) (⇒S/N F108A-2962)



HP120222

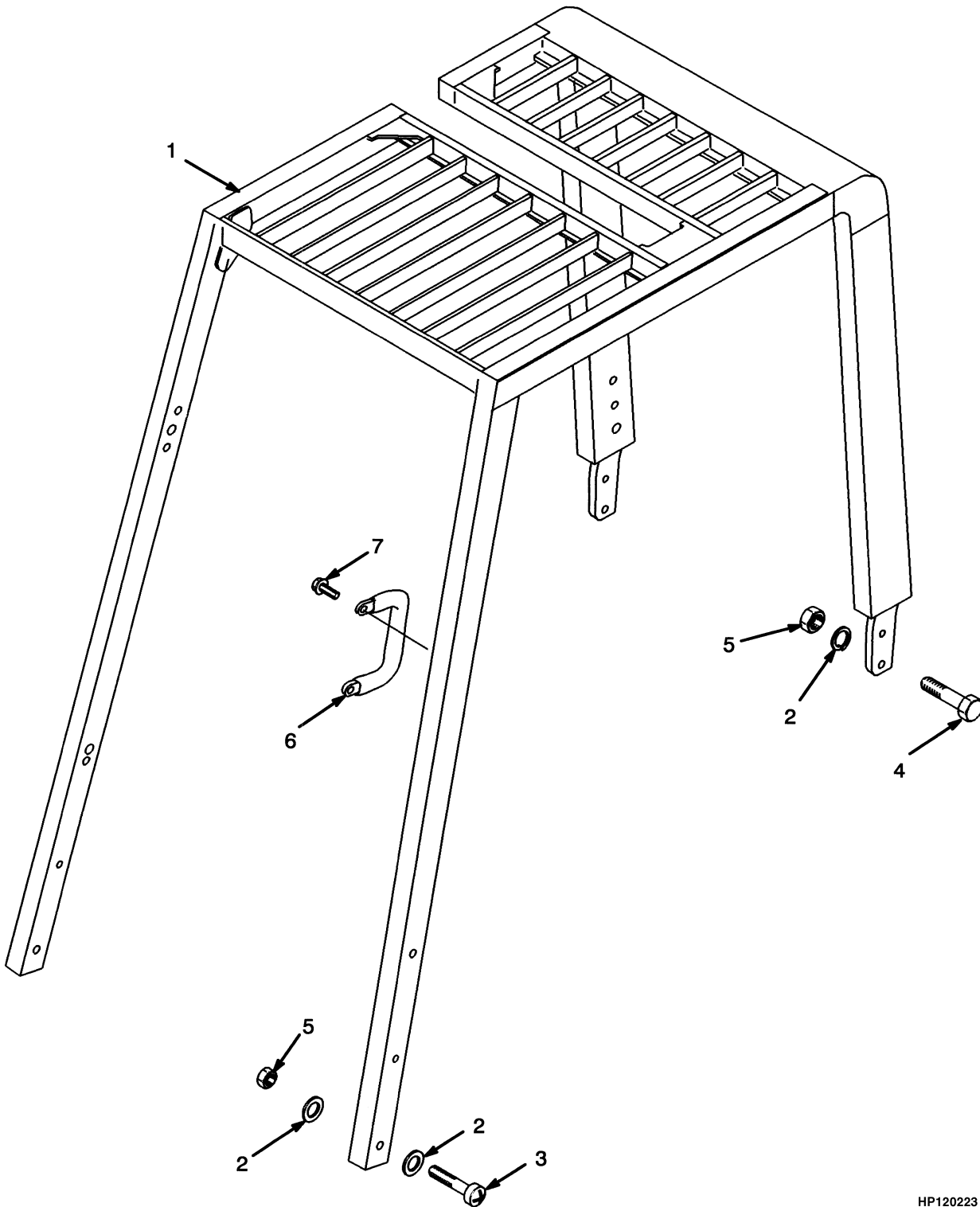
**OVERHEAD GUARD**  
(⇒S/N F108A-2962)**KEY:****A: Standard Height****B: Raised Height**

ITEM	PART NO.	DESCRIPTION	QTY	
			A	B
1	<b>c</b> 1340440	Overhead Guard .....	1	..
1	<b>b</b> 1340441	Overhead Guard .....	1	..
1	<b>c</b> 1340556	Overhead Guard .....	..	1
1	<b>b</b> 1340557	Overhead Guard .....	..	1
1	<b>a</b> 1340816	Overhead Guard .....	1	..
1	<b>a</b> 1340817	Overhead Guard .....	..	1
2	320161	Washer .....	10	10
3	292683	Lockwasher .....	10	10
4	293649	Capscrew .....	8	8
5	293647	Capscrew .....	2	2
6	300937	Locknut .....	4	4
7	1340321	Bar .....	2	2
8	302220	Screw .....	2	2
9	1343647	Handle .....	1	1
10	329067	Screw .....	2	2

**FOOTNOTES:**

- a** 1015 mm Battery Compartment
- b** 700 mm Battery Compartment
- c** 847 mm Battery Compartment

## OVERHEAD GUARD (Figure 1-7) (S/N F108A-2963⇒)



HP120223

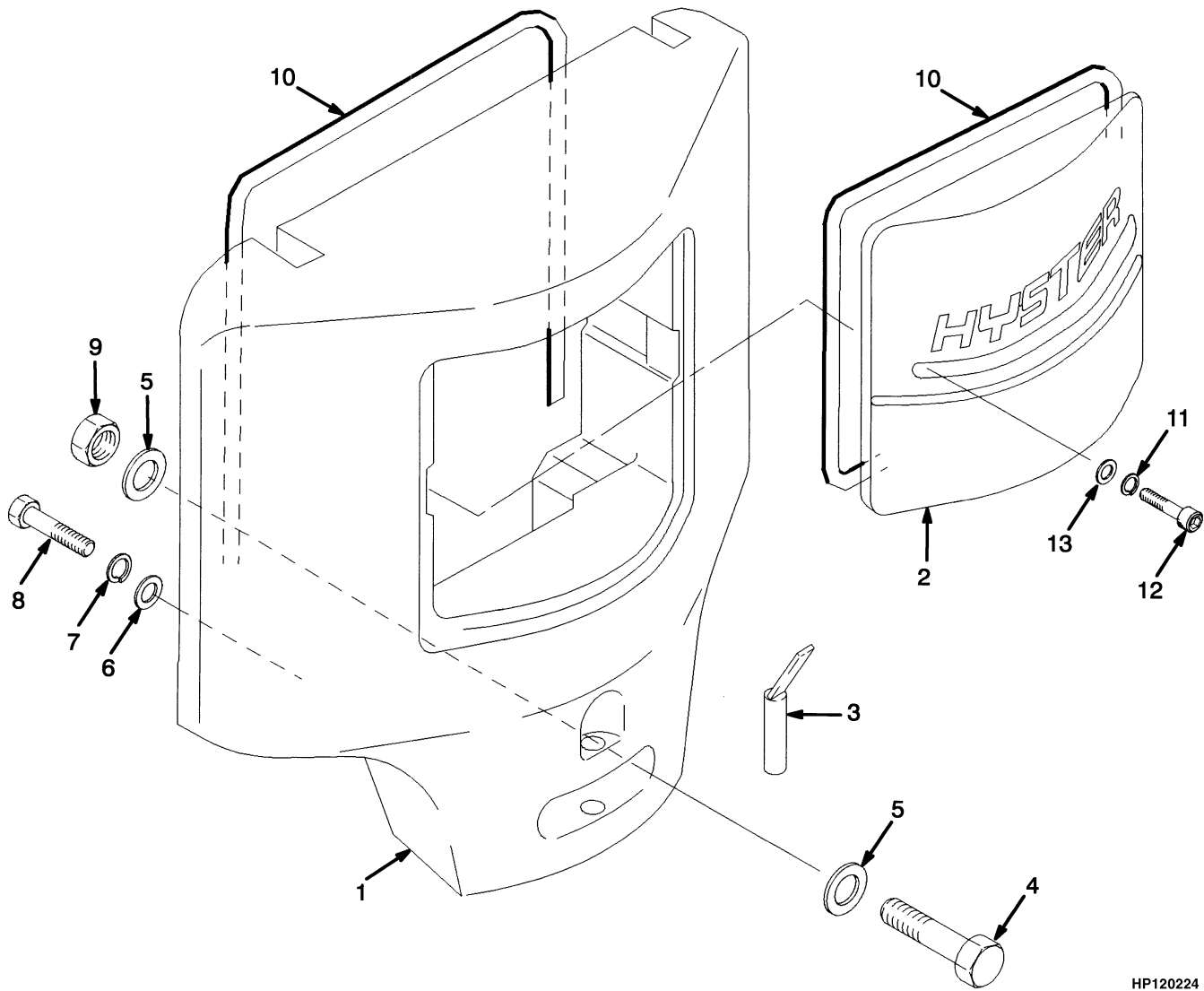
**OVERHEAD GUARD**  
**(S/N F108A-2963⇒)****KEY:****A: Standard Height****B: Raised Height**

ITEM	PART NO.	DESCRIPTION	QTY	
			A	B
1	<b>b</b> 1390328	Overhead Guard .....	1	..
1	<b>c</b> 1390329	Overhead Guard .....	1	..
1	<b>a</b> 1390330	Overhead Guard .....	1	..
1	<b>b</b> 1390331	Overhead Guard .....	..	1
1	<b>c</b> 1390332	Overhead Guard .....	..	1
1	<b>a</b> 1390333	Overhead Guard .....	..	1
2	320161	Washer .....	16	16
3	1343990	Capscrew .....	6	6
4	293651	Capscrew .....	4	4
5	1390182	Nut .....	10	10
6	1343647	Handle .....	1	1
7	329067	Screw .....	2	2

**FOOTNOTES:**

- a** 1015 mm Battery Compartment
- b** 700 mm Battery Compartment
- c** 847 mm Battery Compartment

## COUNTERWEIGHT (Figure 1-8)



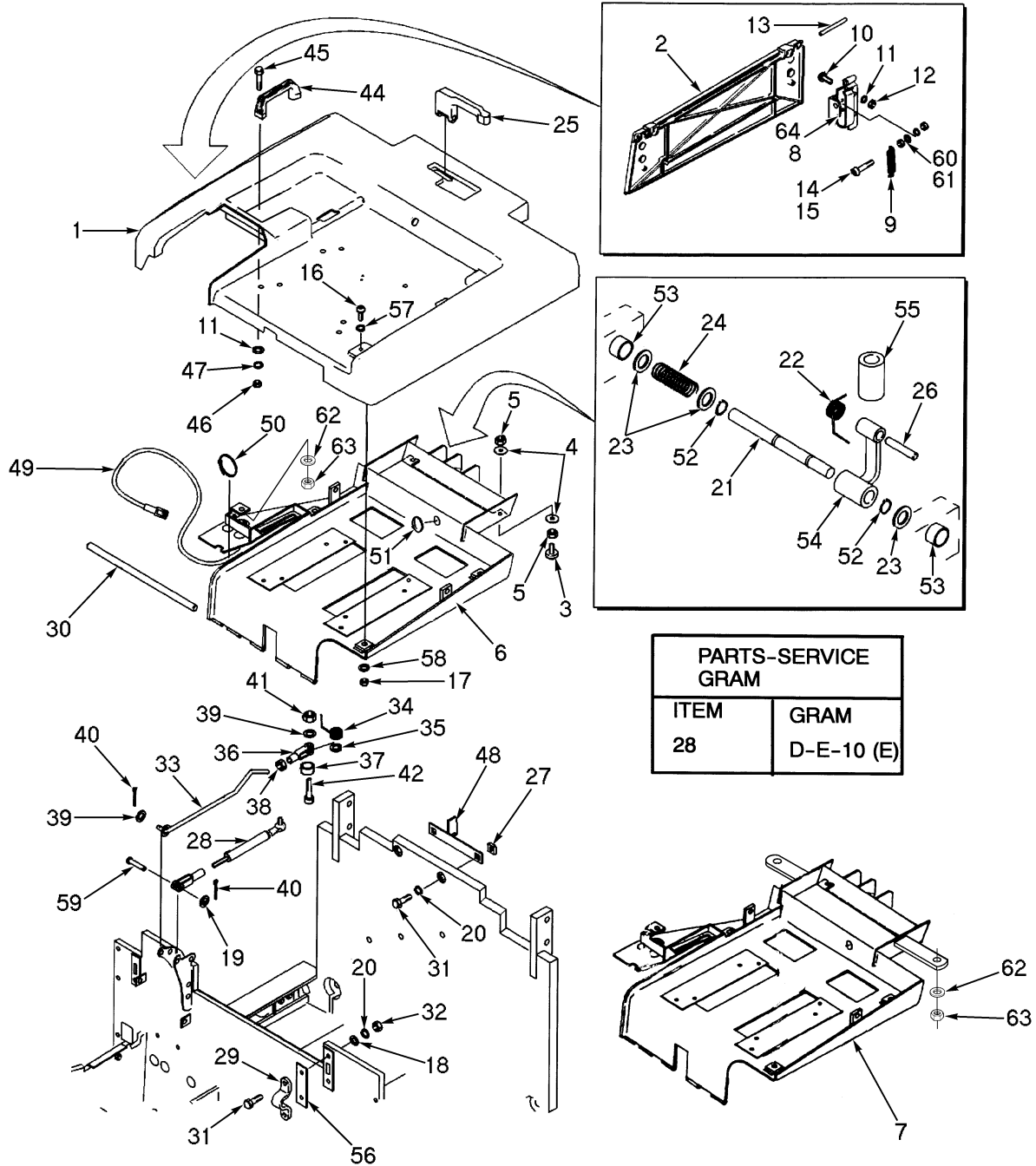
HP120224



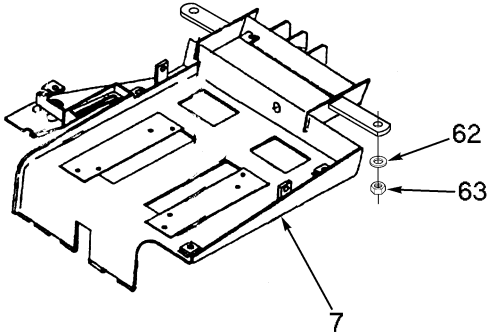
**COUNTERWEIGHT**

ITEM	PART NO.	DESCRIPTION	QTY
1	1340452	Counterweight (E2.00XM [700 mm], E2.50XM [847 mm], E3.00XM [1015 mm]).....	1
1	1340453	Counterweight (E3.20XM [1015 mm]) .....	1
1	1340454	Counterweight (E2.50XM [700 mm], E3.00XM and E3.20XM [847 mm]).....	1
2	1340460	Cover .....	1
3	326347	Tow Pin .....	1
4	292537	Capscrew.....	2
5	296423	Washer .....	4
6	221777	Washer .....	2
7	15162	Lockwasher.....	2
8	168054	Capscrew.....	2
9	300937	Locknut .....	2
10	326003	Tape .....	AR
11	320159	Washer .....	2
12	296026	Capscrew.....	2
13	292682	Lockwasher.....	2

## HOOD (Figure 1-9)



PARTS-SERVICE GRAM	
ITEM	GRAM
28	D-E-10 (E)



HP120651

**HOOD****KEY:****A: 700 mm Battery Compartment****B: 847 mm Battery Compartment****C: 1015 mm Battery Compartment**

ITEM	PART NO.	DESCRIPTION	QTY		
			A	B	C
1	a 1364077	Hood .....	1	..	..
1	a 1364078	Hood .....	..	1	..
1	a 1364079	Hood .....	..	..	1
1	b 1388471	Hood .....	1	..	..
1	b 1388472	Hood .....	..	1	..
1	b 1388473	Hood .....	..	..	1
2	a 1364125	Door .....	1	1	1
3	1347088	Stop Screw .....	2	2	2
4	15155	Lockwasher .....	4	4	4
5	15055	Nut .....	4	4	4
6	a 1340153	Frame .....	1	..	..
6	a 1340155	Frame .....	..	1	..
6	a 1340156	Frame .....	..	..	1
6	b 1385781	Frame .....	1	..	..
6	b 1385783	Frame .....	..	1	..
7	b 1385785	Frame .....	..	..	1
8	a 1364131	Hinge (LH) .....	1	1	1
9	a 1364128	Spring .....	2	2	2
10	a 296159	Capscrew .....	4	4	4
11	a 15127	Washer .....	6	6	6
12	a 313805	Nut .....	4	4	4
13	a 1364134	Pin .....	2	2	2
14	a 296149	Capscrew .....	2	2	2
15	a 251099	Adhesive .....	AR	AR	AR
16	296173	Capscrew .....	4	4	4
17	316826	Nut .....	4	4	4
18	320159	Washer .....	4	4	4
19	18515	Washer .....	2	2	2
20	292682	Lockwasher .....	4	4	4
21	1377674	Shaft .....	1	1	1
22	1377670	Spring .....	1	1	1
23	15125	Washer .....	1	1	1
24	1364538	Spring .....	1	1	1
25	1378976	Handle .....	1	1	1
26	1378975	Pin .....	1	1	1
27	1364537	Plate .....	2	2	2
28	1385758	Gas Spring .....	1	..	..
28	1385759	Gas Spring .....	..	1	..
28	1385760	Gas Spring .....	..	..	1
29	355374	Clamp .....	1	1	1
30	a 1340095	Bar .....	1	1	1
30	a 1468405	Bar .....	1	1	1
31	136985	Capscrew .....	4	4	4
32	136692	Nut .....	2	2	2
33	1385761	Rod .....	1	1	1
34	1340866	Spring .....	1	1	1

## HOOD

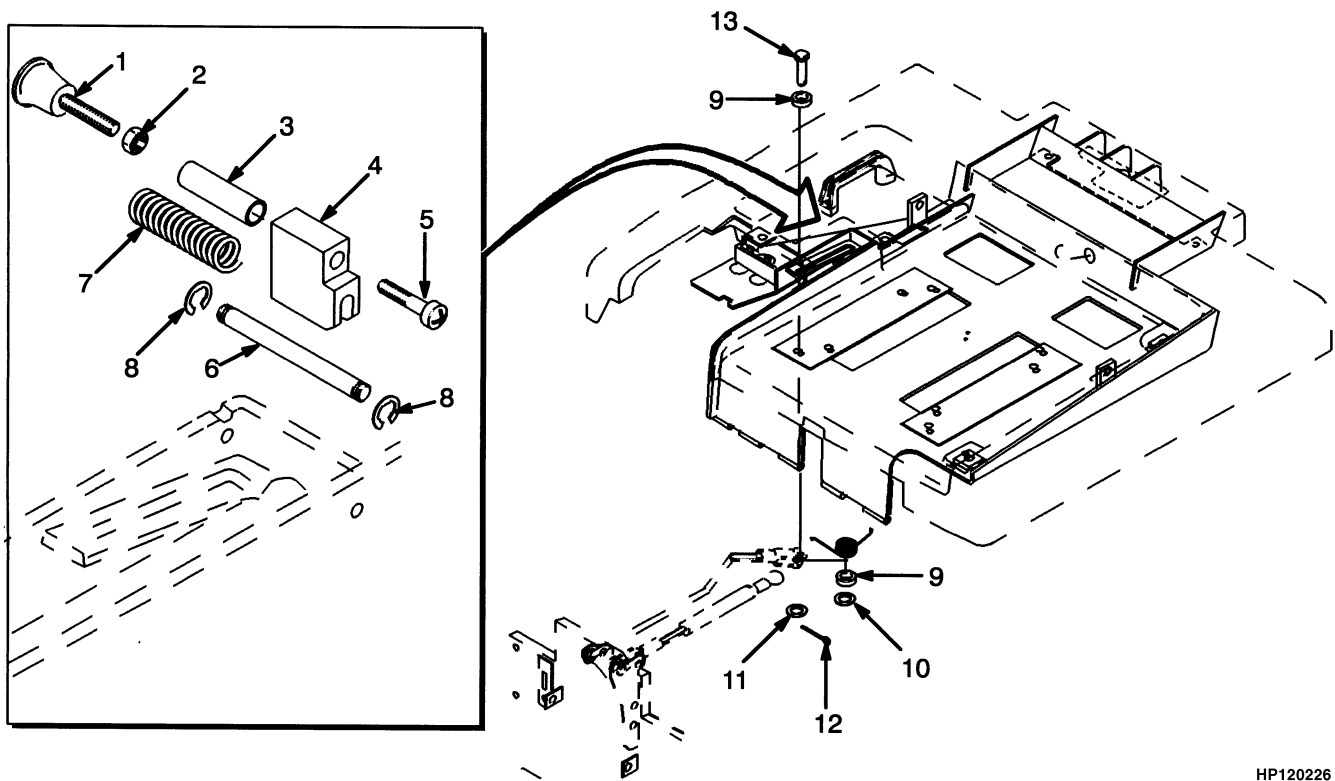
ITEM	PART NO.	DESCRIPTION	QTY		
			A	B	C
35	1340867	Spacer .....	1	1	1
36	1364096	Clevis .....	1	1	1
37	1364243	Knob .....	1	1	1
38	15025	Nut .....	1	1	1
39	296419	Washer .....	2	1	1
40	15212	Cotter Pin.....	2	2	2
41	313805	Nut .....	1	1	1
42	293799	Capscrew.....	1	1	1
43	1383680	Spacer .....	4	..	..
44	362030	Handle .....	1	1	1
45	287816	Capscrew.....	2	2	2
46	136687	Nut .....	2	2	2
47	292680	Lockwasher.....	2	2	2
48	1364597	Latch.....	1	1	1
49	1340531	Wire Harness.....	1	1	1
50	114312	Strap Clamp (Strap).....	5	5	5
51	1359587	Grommet.....	1	1	1
52	353569	Retaining Ring.....	2	2	2
53	368618	Bushing.....	2	2	2
54	1378900	Link .....	1	1	1
55	1378902	Collar .....	1	1	1
56	325616	Spacer .....	AR	AR	AR
57	320160	Washer .....	4	4	4
58	15177	Washer .....	4	4	4
59	139	Rod End Pin .....	1	1	1
60	12892	Snap Ring.....	2	2	2
61	1383680	Spacer .....	4	..	..
62	1471535	Washer .....	1	1	3
63	316835	Nut .....	1	1	3
64	<b>a</b> 1364130	Hinge (RH).....	1	1	1

**FOOTNOTES:**

**a** ⇒ D/B 07/1996

**b** D/B 07/1996 ⇒

## HOOD LATCH (Figure 1-10)



HP120226

**HOOD LATCH**

ITEM	PART NO.	DESCRIPTION	QTY
	1383768	Latch Kit.....	1
1	1383746	Knob .....	1
2	15054	Nut.....	1
3	1383747	Spacer .....	1
4	1383748	Block.....	1
5	18466	Capscrew .....	1
6	1383745	Rod.....	1
7	1383769	Spring.....	1
8	1198539	Snap Ring.....	2
9	1340867	Spacer .....	2
10	197068	Washer .....	1
11	221763	Washer .....	1
12	15201	Cotter Pin .....	1
13	1364097	Rod End Pin .....	1

**BUY NOW**

**Then Instant Download  
the Complete Manual  
Thank you very much!**