

John Deere

1063

Harvester

WORKSHOP MANUAL

John Deere Dubuque Works

TM1997(01NOV01)

ENGLISH

0000 General

1000 Power Unit

1100 Engine Mounting – Removal / Installation

1200 Fuel System

1300 Drive Coupling

1400 Exhaust System

2000 Hydraulic System

2100 Hydraulic Tank and Filters

2200 Working Hydraulics

2210 Working Pump - Rexroth A11VO Repair Instructions

2220 Hydrostatic Cooling

2240 Auxiliary valve

2250 How to Check and Adjust Pressures

2300 Hydrostatic Drive System

2310 How to Check and Adjust Pressures

Drive Pump – Rexroth A4VG Repair Instructions

Drive Motor – Rexroth A6VM Repair Instructions

2400 Valves

2410 Crane Control Valve

VOAC L90LS Directional control valve

VOAC L90LS Directional control valve, Spare Parts

2600 Brake Hydraulics

Appendix 1 – Hydraulic Component Symbols

Appendix 2 – Hydraulic Schematics

3000 Electrical

- 3050 Main Electrical System
- 3100 Wiring Diagrams
- 3200 Control System TMC
- 3300 Measuring System TJ3000

4000 Power Train

- 4100 Transfer Case
- 4200 Prop Shafts
- 4300 Axles
- 4500 Axles/Bogies
- NAF Service Manual and Repair Instruction LOK 75; Front Axle
- NAF Service Manual and Repair Instruction LOK 85; Rear Axle with Transfer Case

5000 Cabin and Controls

6000 Frames / Covers

- 6100 Frame Brake

7000 Boom

- 7100 Boom CH397
 - 7100-1 General Description
 - 7100-2 Technical Specifications

7150 Boom Cylinders

7150-1 Description and Operation

7150-2 Slewing Cylinders Servicing

7150-4 Main Boom Cylinder Removal & Installation

7150-6 Main Boom Cylinder Servicing

7150-8 Jib Boom Cylinder Removal & Install

7150-12 Jib Boom Cylinder Servicing

7150-14 Extension Boom Cylinder Removal & Install

7150-17 Extension Boom Cylinder Servicing

7200 Maintenance

Indexator Rotators - Disassembly and Assembly Instructions

8000 Optional Equipments

Eberspächer Troubleshooting and Repair Manual

Service tools for 1063 Harvester

Base Machine

F612883 Middle joint pivot pin nut tool

Notes

Crane

F057655 Lifting boom piston tool
F038312 Lifting boom cover tool
F617765 Jib boom cylinder piston tool
F034814 Jib boom cylinder cover tool
F061007 Extension boom cylinder tool
F055825 Pivot nut spanner, d=60
F055826 Pivot nut spanner, d=70

TMC

F057934 Etools, tool kit for TMC
F057938 Etools software program
F057935 PCMCIA card for Etools
F057937 Cable PC card / TMC
F057941 TMC programs

Computer required
Included in kit F057934
Included in kit F057934
Included in kit F057934
Included in kit F057934

F056782 Electronic Cable Tester
F602100 CAN-bus traffic tester

Harvester boom cable tester

1000 Power Unit

1100 Engine Mounting – Removal / Installation

1200 Fuel System

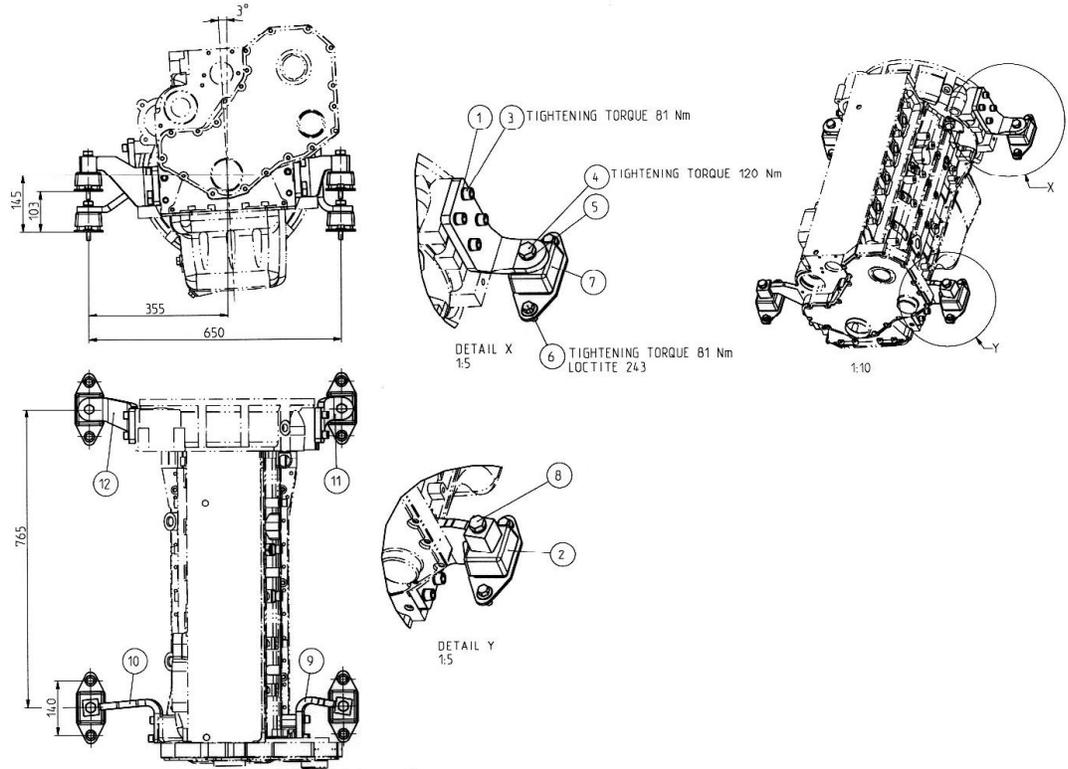
1300 Drive Coupling

1400 Exhaust System

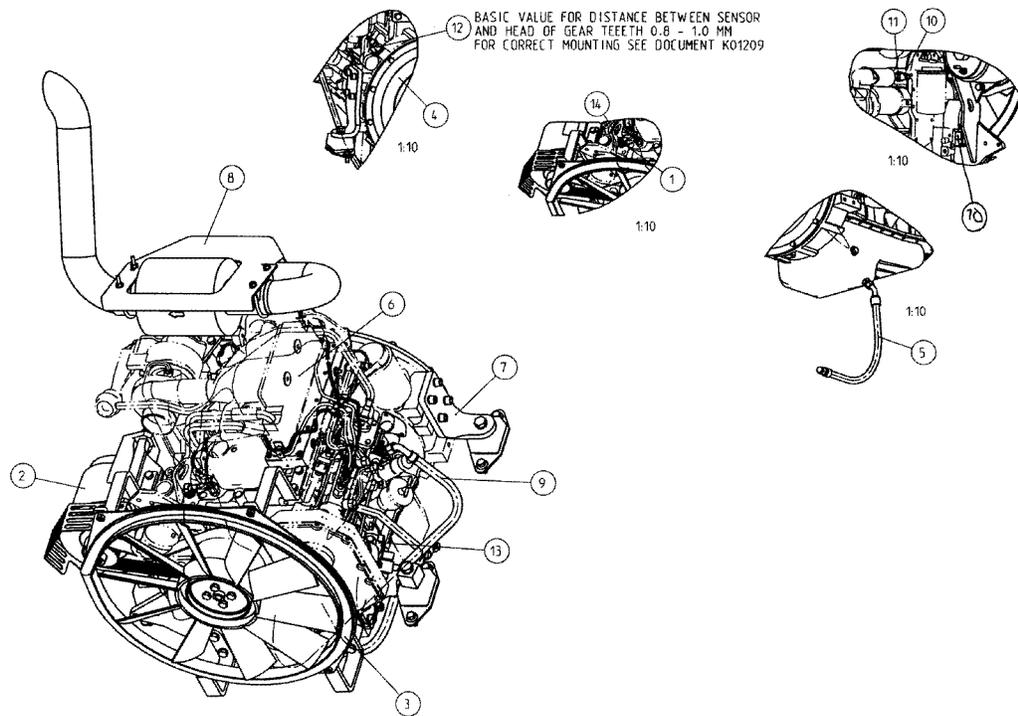
Cummins Shop Manual 1991 and 1994 Certification Levels –
See Bulletin 3666017-01

Cummins Troubleshooting and Repair Manual 1991 and 1994
Certification Levels – See Bulletin 3666087

1100 Engine Mounting – Removal / Installation



1. Lock washer
2. Damper
3. Screw
4. Screw
5. Lock washer
6. Screw
7. Damper
8. Screw
9. Bracket, front left
10. Bracket, front right
11. Bracket, rear left
12. Bracket, rear right

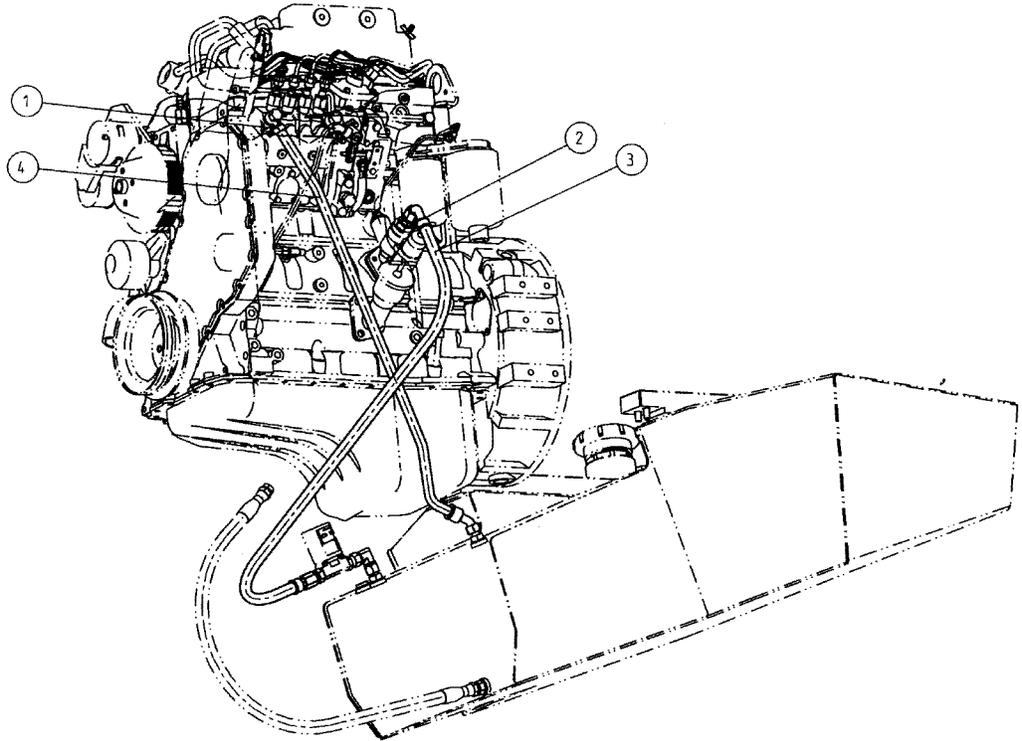


- | | |
|--------------------------------|------------------------|
| 1. Adapter, temperature sensor | 8. Exhaust tube |
| 2. Alternator | 9. Fuel system |
| 3. Blower | 10. Hose nipple |
| 4. Coupling | 11. Nipple |
| 5. Drain | 12. Pulse sensor |
| 6. Engine | 13. Regulator |
| 7. Bracket | 14. Temperature sensor |

BUY NOW

**Then Instant Download
the Complete Manual
Thank you very much!**

1200 Fuel System



1. Hose clamp
2. Nipple
3. Fuel hose
4. Fuel hose