

330 / 430 LOG LOADER

S/N – CB1066 – CE1313

S/N – 961314 – 961314

TECHNICAL MANUAL 330 / 430 LOG LOADER TMF278359

CALIFORNIA Proposition 65 Warning

Diesel engine exhaust and some of its constituents are known to the State of California to cause cancer, birth defects and other reproductive harm.



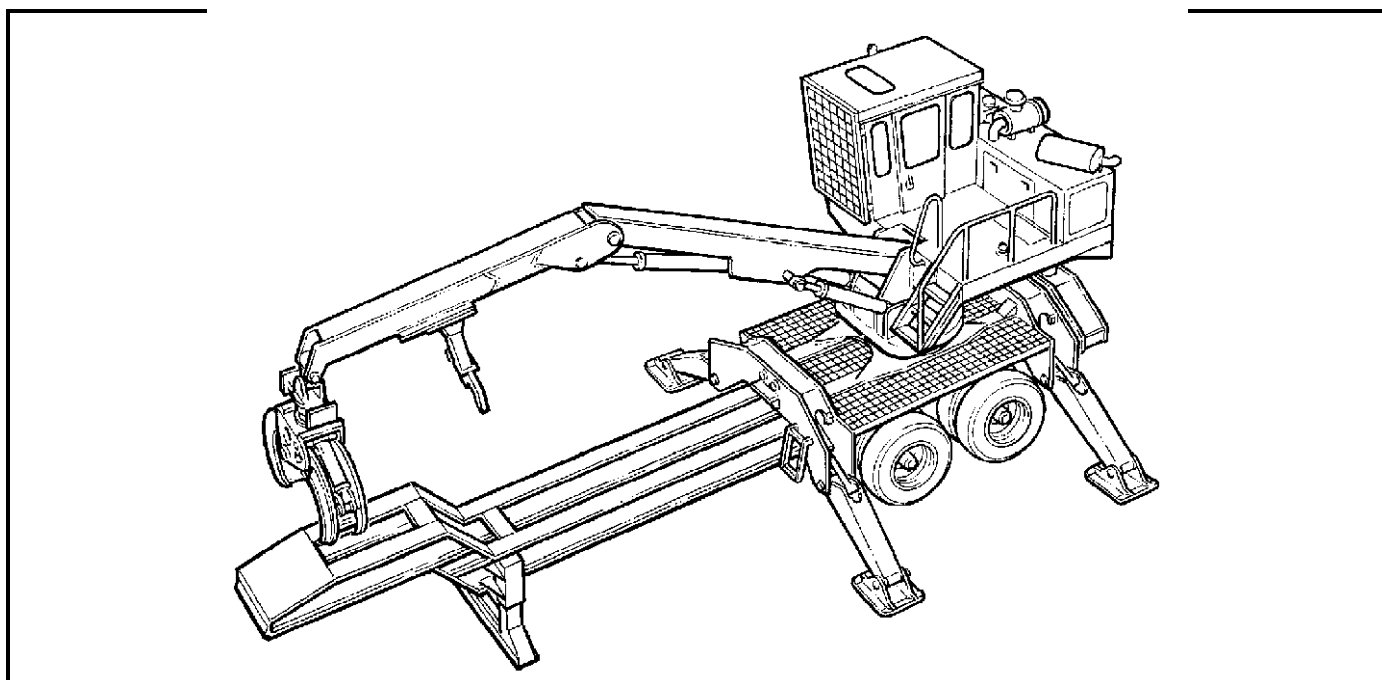
WARNING

The engine exhaust from this product contains chemicals known to the State of California to cause cancer, birth defects or other reproductive harm.

Worldwide Construction and Forestry Division

English

Service Manual



Model 330 and 430 Loaders

Timberjack Inc.
P.O. Box 160
925 Devonshire Avenue
Woodstock, Ontario, Canada
N4S 7X1

Telephone:	519-537-6271
Service Dept. Fax:	519-537-2664
Parts Dept. Fax:	

Table of Contents

Section	Description
1	Introduction
2	Safety Rules
3	Theory of Operation
4	Specifications
5	Test Procedures
6	Hydraulic System
7	Electrical System
8	Troubleshooting
9	Maintenance and Repair
10	OEM Documentation

Table of Contents

Section 1 - Introduction

1.1 Foreword	1 - 2
1.2 Non-approved Field Product Changes	1 - 3
1.3 Warranty Certificate	1 - 4
1.4 Items Not Covered by Warranty	1 - 5

Section 2 - Safety Rules

2.1 General	2 - 2
2.2 Safety Symbol	2 - 2
2.3 Understanding Signal Words	2 - 2
2.4 General Safety Precautions	2 - 3
2.5 Operating Safety Precautions	2 - 6
2.6 Servicing Safety Precautions	2 - 9
2.7 Transporting on Public Roads	2 - 15
2.8 Fire Prevention	2 - 15
2.9 What to Do if the Machine Catches Fire	2 - 16

Section 3 - Theory of Operation Not Available

Section 4 - Specifications

4.1 Machine Dimensions - 330 Log Loader	4 - 2
4.2 Machine Dimensions - 430 Log Loader	4 - 3
4.3 Equipment Specifications	4 - 3
4.4 Fluid and Lubricants	4 - 7
4.4.1 Fluid and Lubricant Specifications	4 - 7
4.4.2 Engine Oil Viscosity - Cummins	4 - 9
4.4.3 Engine Oil Viscosity - John Deere	4 - 9
4.4.4 Gear Oil Viscosity - Swing Drive Gearbox	4 - 10
4.4.5 Hydraulic Lubrication and Fluid Recommendation	4 - 11
4.4.6 Recommended Hydraulic Fluid Brands	4 - 13
4.5 Torque Values	4 - 14
4.5.1 Steel Fasteners	4 - 14
4.5.2 Hydraulic Fittings	4 - 18

Table of Contents

Section 5 - Test Procedures and Adjustments

- 5.1 General Information 5 - 3
 - 5.1.1 Hydraulic Tests 5 - 3
 - 5.1.2 Electrical Tests 5 - 3
- 5.2 Hydraulic Systems 5 - 4
 - 5.2.1 Main Control Valve 5 - 4
 - 5.2.2 Jib Valve - Boom Section 5 - 7
 - 5.2.3 Jib Valve - Swing Section 5 - 8
 - 5.2.4 Pilot Relief 5 - 12
 - 5.2.5 Delimber Valve Pressure Relief (Swivel Machines) 5 - 13
 - 5.2.6 SPI Bar Saw Valve Main Relief 5 - 14
 - 5.2.7 SPI Pilot Priority Flow 5 - 15
 - 5.2.8 SPI Pilot Priority Relief 5 - 16
- 5.3 Electrical System Not Available

Section 6 - Hydraulic Systems

- 6.1 Hydraulic System Schematic - SPI 6 - 2
- 6.2 Hydraulic System Schematic - Swivel 6 - 4

Section 7 - Electrical Systems

- 7.1 Electrical Schematic - SPI 7 - 2
- 7.2 Electrical Schematic - Swivel, Joysticks 7 - 4
- 7.3 Electrical Schematic - Swivel, Lever Controls 7 - 6

Section 8 - Troubleshooting

- 8.1 General 8 - 2
- 8.2 Engine 8 - 2
- 8.3 Electrical System 8 - 8
- 8.4 Hydraulic System 8 - 9

Section 9 - Maintenance and Repair

- Group 10 - Power Unit and Auxiliary Systems 9 - 10 - 1
 - 10.1 Engine Rubber Mounts 9 - 10 - 2
 - 10.1.1 General Information 9 - 10 - 3
 - 10.1.2 Removal 9 - 10 - 3
 - 10.1.3 Installation 9 - 10 - 3

Table of Contents

10.2 Engine Fan	9 - 10 - 4
10.2.1 General Information	9 - 10 - 5
10.2.2 Removal	9 - 10 - 5
10.2.3 Installation	9 - 10 - 5
10.3 Pump Adapter and Drive Plate	9 - 10 - 6
10.3.1 General Information	9 - 10 - 6
10.3.2 Removal	9 - 10 - 6
10.3.3 Installation	9 - 10 - 6
10.4 Engine Removal/Installation	9 - 10 - 7
10.4.1 Removal	9 - 10 - 7
10.4.2 Installation	9 - 10 - 9
10.5 Swing Gearbox	9 - 10 - 10
10.5.1 General Information	9 - 10 - 10
10.5.2 Removal	9 - 10 - 10
10.5.3 Installation	9 - 10 - 11
10.6 Swing Gearbox Repair	9 - 10 - 12
10.6.1 Swing Gearbox Components	9 - 10 - 12
10.6.2 Hub Disassembly	9 - 10 - 13
10.6.3 First Stage Planetary Carrier Disassembly	9 - 10 - 19
10.6.4 First Stage Planetary Carrier Assembly	9 - 10 - 20
10.6.5 Second Stage Planetary Carrier Disassembly	9 - 10 - 21
10.6.6 Second Stage Planetary Carrier Assembly	9 - 10 - 22
10.6.7 Hub Assembly	9 - 10 - 23
10.7 Swing Gearbox Special Tools	9 - 10 - 29
10.8 Air Intake System	9 - 10 - 32
10.8.1 General Information	9 - 10 - 32
10.8.2 Removal/Installation - Cummins Engine	9 - 10 - 33
10.8.3 Removal/Installation - John Deere Engine	9 - 10 - 34
10.9 Hydraulic Fluid Cooler	9 - 10 - 35
10.9.1 General Information	9 - 10 - 35
10.9.2 Removal/Installation	9 - 10 - 35
10.10 Engine Cooling System	9 - 10 - 36
10.10.1 General Information	9 - 10 - 36
10.10.2 Removal	9 - 10 - 38
10.10.3 Installation	9 - 10 - 38
10.11 Exhaust System	9 - 10 - 39
10.11.1 General Information	9 - 10 - 40
10.11.2 Removal/Installation	9 - 10 - 40
10.12 Fuel System	9 - 10 - 41
10.12.1 General Information	9 - 10 - 42
10.12.2 Removal/Installation	9 - 10 - 42

Table of Contents

- Group 20 - Hydraulic Systems 9 - 20 - 1
 - 20.1 Triple Section Main Pump 9 - 20 - 3
 - 20.1.1 General Information 9 - 20 - 3
 - 20.1.2 Removal 9 - 20 - 3
 - 20.1.3 Installation 9 - 20 - 5
 - 20.2 Triple Section Main Pump Repair 9 - 20 - 7
 - 20.2.1 General Information 9 - 20 - 7
 - 20.2.2 Triple Section Main Pump Components 9 - 20 - 8
 - 20.2.3 Pump Disassembly 9 - 20 - 10
 - 20.2.4 Pump Assembly 9 - 20 - 14
 - 20.3 Dual Section SPI Pump 9 - 20 - 23
 - 20.3.1 General Information 9 - 20 - 23
 - 20.3.2 Removal 9 - 20 - 23
 - 20.3.3 Installation 9 - 20 - 26
 - 20.4 Dual Section SPI Pump Repair 9 - 20 - 28
 - 20.4.1 General Information 9 - 20 - 28
 - 20.4.2 Dual Section SPI Pump Components 9 - 20 - 28
 - 20.4.3 Pump Disassembly 9 - 20 - 30
 - 20.4.4 Pump Assembly 9 - 20 - 34
 - 20.4.5 Priority Valve Disassembly 9 - 20 - 41
 - 20.4.6 Priority Valve Assembly 9 - 20 - 42
 - 20.5 Inspection and Parts Replacement 9 - 20 - 43
 - 20.6 Recommended Start-up Procedure 9 - 20 - 46
 - 20.7 Special Tools 9 - 20 - 47
 - 20.8 Pilot Pump 9 - 20 - 49
 - 20.8.1 General Information 9 - 20 - 49
 - 20.8.2 Removal/Installation - Engine Mounted Pump (Cummins) 9 - 20 - 49
 - 20.8.3 Removal/Installation - Belt Driven Pump (John Deere) 9 - 20 - 51
 - 20.9 Pilot Pump Repair 9 - 20 - 54
 - 20.10 Swing Gear Motor 9 - 20 - 55
 - 20.10.1 General Information 9 - 20 - 55
 - 20.10.2 Removal 9 - 20 - 55
 - 20.10.3 Installation 9 - 20 - 56
 - 20.11 Swing Gear Motor Repair 9 - 20 - 57
 - 20.11.1 General Information 9 - 20 - 57
 - 20.11.2 Swing Gear Motor Components 9 - 20 - 58
 - 20.11.3 Motor Disassembly 9 - 20 - 59
 - 20.11.4 Motor Assembly 9 - 20 - 61

Table of Contents

20.12	SPI Motor	9 - 20 - 65
20.12.1	General Information	9 - 20 - 65
20.12.2	Removal	9 - 20 - 66
20.12.3	Installation	9 - 20 - 67
20.13	SPI Motor Repair	9 - 20 - 69
20.13.1	General Information	9 - 20 - 69
20.13.2	SPI Motor Components	9 - 20 - 70
20.13.3	Disassembly	9 - 20 - 71
20.13.4	Assembly	9 - 20 - 73
20.14	Inspection and Parts Replacement	9 - 20 - 77
20.15	Special Tools	9 - 20 - 78
20.16	Control Valves	9 - 20 - 79
20.16.1	General Information	9 - 20 - 65
20.16.2	Removal	9 - 20 - 66
20.16.3	Installation	9 - 20 - 67
20.17	Control Valve Repair	9 - 20 - 81
20.17.3	Disassembly	9 - 20 - 81
20.17.4	Assembly	9 - 20 - 84
20.18	Control Valve Section Repair	9 - 20 - 85
20.18.1	Lever Operated Spool Section	9 - 20 - 85
20.18.2	Pilot Operated Spool Section	9 - 20 - 87
20.18.3	Solenoid Operated Spool Section	9 - 20 - 90
20.18.4	Inspection and Repair	9 - 20 - 93
20.19	Relief Valve Repair	9 - 20 - 94
20.20	Pilot Solenoid Repair	9 - 20 - 95
20.21	On-Machine Control Valve Repair	9 - 20 - 96
20.22	Joystick Control	9 - 20 - 97
20.22.1	General Information	9 - 20 - 97
20.22.2	Removal/Installation	9 - 20 - 97
20.23	Joystick Control Repair	9 - 20 - 98
20.23.1	Off-Machine Joystick Repair	9 - 20 - 98
20.23.2	On-Machine Joystick Repair	9 - 20 - 99
20.24	Detent Valve	9 - 20 - 101
20.24.1	General Information	9 - 20 - 101
20.24.2	Removal/Installation	9 - 20 - 101
20.25	Detent Valve Repair	9 - 20 - 102
20.26	Main Hydraulic Filter Assembly (SPI)	9 - 20 - 103
20.26.1	General Information	9 - 20 - 103
20.26.2	Removal/Installation	9 - 20 - 103

Table of Contents

- 20.27 Pilot In-line Filter Assembly 9 - 20 - 104
 - 20.27.1 General Information 9 - 20 - 104
 - 20.27.2 Removal/Installation 9 - 20 - 104
- 20.28 Main Hydraulic Tank 9 - 20 - 105
 - 20.28.1 General Information 9 - 20 - 105
 - 20.28.2 Removal 9 - 20 - 105
 - 20.28.3 Installation 9 - 20 - 106
- 20.29 Hydraulic Tank Repair 9 - 20 - 107
- 20.30 Lower Hydraulic Tank 9 - 20 - 109
 - 20.30.1 General Information 9 - 20 - 109
 - 20.30.2 Removal 9 - 20 - 109
 - 20.30.3 Installation 9 - 20 - 110
- 20.31 Lower Hydraulic Tank Repair 9 - 20 - 111
- 20.32 Hydraulic Cylinders 9 - 20 - 112
 - 20.32.1 General Information 9 - 20 - 112
 - 20.32.2 Cylinder Repair 9 - 20 - 113
- 20.33 Hydraulic Swivel 9 - 20 - 115
 - 20.33.1 General Information 9 - 20 - 115
 - 20.33.2 Removal 9 - 20 - 115
 - 20.33.3 Installation 9 - 20 - 116
- 20.34 Hydraulic Swivel Repair 9 - 20 - 117
 - 20.34.1 Disassembly 9 - 20 - 117
 - 20.35.2 Assembly 9 - 20 - 118

BUY NOW

**Then Instant Download
the Complete Manual
Thank you very much!**