

820 REAR TINE TILLER



JOHN DEERE

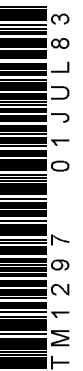
TECHNICAL MANUAL

820 REAR TINE TILLER

TM1297 (01JUL83) English

JOHN DEERE HORICON WORKS
TM1297 (01JUL83)

LITHO IN THE U.S.A.
ENGLISH



**820 REAR
TINE TILLER
TECHNICAL MANUAL
TM-1297 (JUL-83)**

CONTENTS

SECTION 10 - GENERAL

- Group 05 - Identification
- Group 10 - Safety
- Group 15 - Specifications
- Group 20 - Lubricants
- Group 25 - Engine Service

SECTION 20 - POWER TRAIN

- Group 05 - General Information
- Group 10 - Wheel Drive Transmission
- Group 15 - Tine Reversing Transmission
- Group 20 - Drive Sprocket, Chain and Axle
- Group 25 - Drive Belts

**SECTION 30 - WORM DRIVE TRANSMISSION
AND TINES**

- Group 05 - Worm Drive Transmission
- Group 10 - Tines

SECTION 40 - CONTROLS AND LINKAGE

- Group 05 - Drive Wheel Clutch Control
- Group 10 - Wheel Speed Control
- Group 15 - Tine Clutch
- Group 20 - Tine Direction Lever
- Group 25 - Handle Release
- Group 30 - Throttle Control Lever

SECTION 50 - ELECTRICAL SYSTEM

- Group 05 - General Information
- Group 10 - Battery
- Group 15 - Starter

All information, illustrations and specifications contained in this technical manual are based on the latest information available at the time of publication. The right is reserved to make changes at any time without notice.

Because John Deere sells its products world-wide, U.S. units of measure are shown with their respective Metric equivalents throughout this technical manual. These equivalents are the SI (International System) Units of Measure.

Copyright © 1983
Deere & Company
Moline, Illinois
All rights reserved
A JOHN DEERE ILLUSTRATION

FGP/A/050783

INTRODUCTION

This technical manual contains service and maintenance information for the John Deere 820 Rear Tine Tiller except for information pertaining to engine teardown and assembly. That information can be found in TM-1296, Horizontal Crankshaft, Small Engines.

The manual is divided into sections. Each section pertains to a certain component or operational system of the tiller. The information is divided into groups within each section.

Emphasis is placed on trouble shooting, analysis and testing. Trouble shooting includes possible troubles, their causes, and how to correct them. Under specific systems, these troubles are analyzed to help you understand what is causing the problem. In this way, you can eliminate the cause rather than just replace parts and have the same problem keep recurring.

Special Tools and Specifications are found at the beginning of each group for easy reference.

Whenever new or revised pages are provided, insert them into your manual as soon as you receive them. Your technical manual will always be up-to-date and be a valuable asset in your service department.

FGP/C/050783



This safety alert symbol identifies important safety messages in this manual. When you see this symbol, be alert to the possibility of personal injury and carefully read the message that follows.

This manual contains SI metric equivalents which are followed by the U.S. customary units of measure.

“Right-hand” and “left-hand” sides are determined by facing in the direction of tiller forward travel.

FGP/C/050783

Section 10 GENERAL

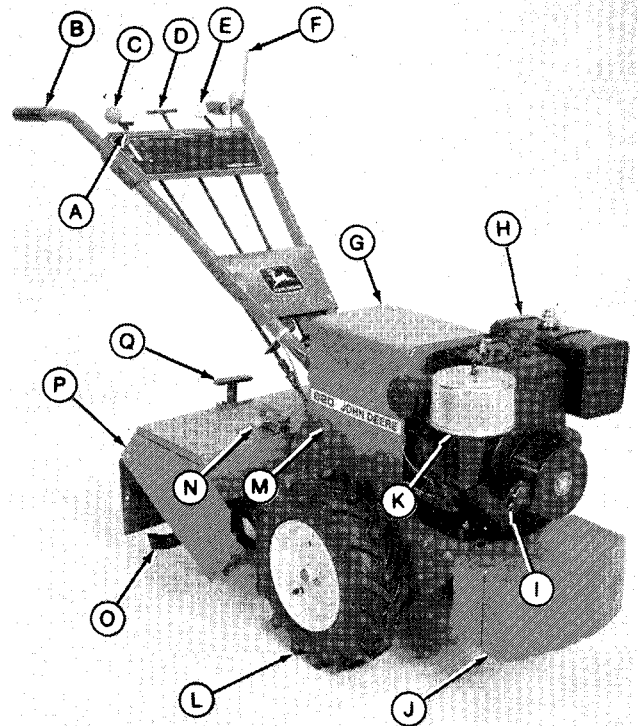
CONTENTS

	Page
GROUP 05 - IDENTIFICATION	
Identification	10-05-01
Tiller Serial Number	10-05-01
GROUP 10 - SAFETY	10-10-01
GROUP 15 - SPECIFICATIONS	10-15-01
GROUP 20 - LUBRICANTS	
Transmission Lubricants	10-20-01
Engine Oil	10-20-01
Alternative Lubricants	10-20-01
GROUP 25 - ENGINE SERVICE	
Remove Engine	10-25-01

Contents

IDENTIFICATION

- A—Throttle Control Lever
- B—Handle Bars
- C—Wheel Speed Lever
- D—Handle Release
- E—Tine Clutch Lever
- F—Clutch Handle
- G—Sheave Cover
- H—Fuel Tank
- I—Recoil Starter
- J—Front Weight
- K—Air Cleaner
- L—Wheel
- M—Ignition Switch (Electric Start)
- N—Tine Direction Lever
- O—Tines
- P—Tine Shield
- Q—Tine Depth Gauge



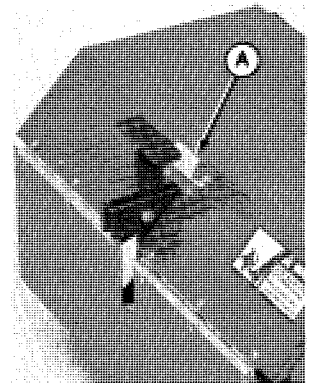
TY8514/F10/A/A/050783

TILLER SERIAL NUMBER

The tiller serial number (A) is located on the rear of the tine shield.

The letters "TY" denote JDM Division as the control factory.

When writing about or filling out warranty claims, use all numbers and letters on the tiller serial number plate.



TY8512/F10/A/B/050783

BUY NOW

**Then Instant Download
the Complete Manual
Thank you very much!**