

# HYDRAULIC EXCAVATOR

## SK 100 v

## SK 120 v

## SK 120LC v

# SHOP MANUAL

model

This is the shop manual for KOBELCO hydraulic excavator. Contained is the necessary technical data concerning the maintenance and repair of this model. The manual is divided into the following four major sections; GENERAL, SYSTEMS, COMPONENTS and PROCEDURE.

### \*GENERAL

- LP01. SPECIFICATION  
— OPERATION AND CONTROLS  
(Refer to Operators Manual)
- LP03. LOCATION AND  
WEIGHT OF COMPONENTS

- LP04. MAINTENANCE STANDARD AND  
TEST PROCEDURE  
— PREVENTIVE MAINTENANCE  
(Refer to Operators Manual)
- LP07. WORKING STANDARD
- LP08. STANDARD MAN-HOUR TABLE

### \*SYSTEMS

- LP12. HYDRAULIC SYSTEM
- LP15. SWING FRAME
- LP18. TRAVEL SYSTEM
- LP21. ATTACHMENTS

- LP22. CONTROL SYSTEM
- LP25. ELECTRICAL SYSTEM
- LP26. AIR-CONDITIONER SYSTEM
- LP29. TROUBLE SHOOTING

### \*COMPONENTS

- 12. HYDRAULIC PUMP
- 13. CONTROL VALVE
- 14. OTHER VALVES
- 15. HYDRAULIC MOTOR

- 16. SWIVEL JOINT
- 17. HYDRAULIC CYLINDER
- 21. REDUCTION UNIT
- 50. ENGINE

### \*PROCEDURE

When checking or repairing the machine we suggest that you refer to this manual carefully. We hope that reference to this manual will help to maintain a high level of working efficiency and reliability. For further details on maintenance and checks refer to the "OPERATORS MANUAL" which has been supplied with the machine.

Although all data was correct at the time of printing, due to continual design changes and improvements, some contents may not conform to the actual machine. Take special care to order parts only after confirming the validity of the part number in the "PARTS MANUAL".

If you notice any explanatory discrepancies, after consulting one of our representatives, please update your manual according to the latest data. However, in the event of any specification changes, we will issue revised edition.

## INDEX

# KOBELCO

Book code No. S5LP0007E①

## WARNING

### SAFETY

#### WARNING

The proper and safe lubrication and maintenance for this machine, recommended by KOBELCO are outlined in the OPERATION & MAINTENANCE GUIDE for this machine.

Improper performance of lubrication or maintenance procedures is dangerous and could result in injury or death. Read and understand the OPERATION & MAINTENANCE GUIDE before performing any lubrication or maintenance.

The serviceman or mechanic may be unfamiliar with many of the systems on this machine. This makes it important to use caution when performing service work. A knowledge of the system and or components is important before the removal or disassembly of any component.

Because of the size of some of the machine components, the serviceman or mechanic should check the weights noted in this Manual. Use proper lifting procedures when removing any components.

Following is a list of basic precautions that should always be observed.

1. Read and understand all Warning plates and decals on the machine before operating, lubricating or repairing this product.
2. Always wear protective glasses and protective shoes when working around machines. In particular, wear protective glasses when pounding on any part of the machine or its attachments with a hammer or sledge. Use welders gloves, hood/goggles, apron and other protective clothing appropriate to the welding job being performed. Do not wear loose-fitting or torn clothing. Remove all rings from fingers when working on machinery.
3. Disconnect battery and discharge any capacitors before starting to work on machine. Hang "Do Not Operate" tag in the Operator's Compartment.
4. If possible, make all repairs with the machine parked on a level, hard surface. Block machine so it does not roll while working on or under machine.
5. Do not work on any machine that is supported only by lift jacks or a hoist. Always use blocks or jack stands to support the machine before performing any disassembly.

#### WARNING

Do not operate this machine unless you have read and understand the instructions in the OPERATOR'S MANUAL. Improper machine operation is dangerous and could result in injury or death.

6. Relieve all pressure in air, oil or water systems before any lines, fittings or related items are disconnected or removed. Always make sure all raised components are blocked correctly and be alert for possible pressure when disconnecting any device from a system that utilizes pressure.
7. Lower the bucket, blade, ripper or other implements to the ground before performing any work on the machine. If this cannot be done, make sure the bucket, blade, ripper or other implement is blocked correctly to prevent it from dropping unexpectedly.
8. Use steps and grab handles when mounting or dismounting a machine. Clean any mud or debris from steps, walkways or work platforms before using. Always face machine when using steps, ladders and walkways. When it is not possible to use the designed access system, provide ladders, scaffolds, or work platforms to perform safe repair operations.
9. To avoid back injury, use a hoist when lifting components which weigh 23 kg (50 lbs) or more. Make sure all chains, hooks, slings, etc., are in good condition and are in the correct capacity. Be sure hooks are positioned correctly. Lifting eyes are not to be side loaded during a lifting operation.
10. To avoid burns, be alert for hot parts on machines which have just been stopped and hot fluids in lines, tubes and compartments.
11. Be careful when removing cover plates. Gradually back off the last two bolts or nuts located at opposite ends of the cover or device and pry cover loose to relieve any spring or other pressure, before removing the last two bolts or nuts completely.
12. Be careful when removing filler caps, breathers and plugs on the machine. Hold a rag over the cap or plug to prevent being sprayed or splashed by liquids under pressure. The danger is even greater if the machine has just been stopped because fluids can be hot.

**⚠ WARNING**

13. Always use tools that are in good condition and be sure you understand how to use them before performing any service work.
  14. Reinstall all fasteners with same part number. Do not use a lesser quality fastener if replacements are necessary.
  15. Repairs which require welding should be performed only with the benefit of the appropriate reference information and by personnel adequately trained and knowledgeable in welding procedures. Determine type of metal being welded and select correct welding procedure and electrodes, rods or wire to provide a weld metal strength equivalent at least to that of parent metal. Always disconnect battery during welding operations to protect sensitive electric equipment.
  16. Do not damage wiring during removal operations. Reinstall the wiring so it is not damaged nor will it be damaged in operation by contacting sharp corners, or by rubbing against some object or hot surface. Do not connect wiring to a line containing fluid.
  17. Be sure all protective devices including guards and shields are properly installed and functioning correctly before starting a repair. If a guard or shield must be removed to perform the repair work, use extra caution.
  18. Loose or damaged fuel, lubricant and hydraulic lines, tubes and hoses can cause fires. Do not bend or strike high pressure lines or install ones which have been bent or damaged. Inspect lines, tubes and hoses carefully. Do not check for leaks with your hands. Pin hole (very small) leaks can result in a high velocity oil stream that will be invisible close to the hose. This oil can penetrate the skin and cause personal injury. Use cardboard or paper to locate pin hole leaks.
  19. Tighten connections to the correct torque. Make sure that all heat shields, clamps and guards are installed correctly to avoid excessive heat, vibration or rubbing against other parts during operation. Shields that protect against oil spray onto hot exhaust components in event of a line, tube or seal failure must be installed correctly.
  20. Do not operate a machine if any rotating part is damaged or contacts any other part during operation. Any high speed rotating component that has been damaged or altered should be checked for balance before reusing.
  21. On track-type machines, be careful when servicing or separating tracks. Chips can fly when removing or installing a track pin. Wear safety glasses and long sleeve shirts. Track can unroll very quickly when separated. Keep away from front and rear of machine. The machine can move unexpectedly when both tracks are disengaged from the sprockets. Block the machine to prevent it from moving.
  22. Caution should be used to avoid breathing dust that may be generated when handling components containing asbestos fibers. If this dust is inhaled, it can be hazardous to your health. Components in KOBELCO products that may contain asbestos fibers are brake pads, brake band and lining assemblies, clutch plates and some gaskets. The asbestos used in these components is usually bound in a resin or sealed in some way. Normal handling is not hazardous as long as airborne dust which contains asbestos is not generated.
- If dust which may contain asbestos is present, there are several common sense guidelines that should be followed.
- a. Never use compressed air for cleaning.
  - b. Avoid brushing or grinding of asbestos containing materials.
  - c. For clean up, use wet methods or a vacuum equipped with a high efficiency particulate air (HEPA) filter.
  - d. Use exhaust ventilation on permanent machining jobs.
  - e. Wear an approved respirator if there is no other way to control the dust.
  - f. Comply with applicable rules and regulations for the work place.
  - g. Follow environmental rules and regulations for disposal of asbestos.
  - h. Avoid areas where asbestos particles may be in the air.

# SHOP MANUAL

model

**SK100v**  
**SK120v**  
**SK120LCv**

## TABLE OF CONTENTS

1. SPECIFICATION .....
2. OPERATION AND CONTROLS (Refer to Operators Manual)
3. LOCATION AND WEIGHT OF COMPONENTS .....
4. MAINTENANCE STANDARDS AND TEST PROCEDURES .....
5. ....
6. PREVENTIVE MAINTENANCE (Refer to Operators Manual)
7. WORKING STANDARDS .....
8. STANDARD MAN-HOUR TABLE .....

**LP01**

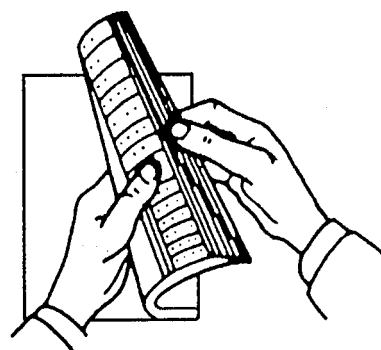
**LP03**

**LP04**

**LP07**

**LP08**

○How to Index each Shop Manual Section  
The GENERAL of this shop manual consists of 8 headings as shown above. Each section can be easily referred to by indexes appended to the margin of the page as indicated on the right. Please use the indexes for speedy reference.



# KOBELCO

# GENERAL

SK100 v  
SK120 v List of Shop Manual GENERAL Section  
SK120LCV

| Index No. | Title                                     | Book Code No.                          |  |  |
|-----------|---|--|--|--|
|           |   | Distribution Year - Month              |  |  |
| LP01      | SPECIFICATION                             | S5LP0106E<br>1994-04                   |  |  |
| —         | OPERATION                                 | S2LP1014E<br>Refer to Operators manual |  |  |
| LP03      | LOCATION AND WEIGHT OF COMPONENTS         | S5LP0306E<br>1994-04                   |  |  |
| LP04      | MAINTENANCE STANDARDS AND TEST PROCEDURES | S5LP0408E<br>1994-04                   |  |  |
| —         | PREVENTIVE MAINTENANCE                    | S2LP1014E<br>Refer to Operators manual |  |  |
| LP07      | WORKING STANDARDS                         | S5LP0704E<br>1994-04                   |  |  |
| LP08      | STANDARD MAN-HOUR TABLE                   | S5LP0802E<br>1994-04                   |  |  |
|           |   |  |  |  |
|           |   |  |  |  |
|           |   |  |  |  |
|           |   |  |  |  |
|           |   |  |  |  |
|           |   |  |  |  |
|           |   |  |  |  |
|           |   |  |  |  |
|           |   |  |  |  |
|           |   |  |  |  |
|           |   |  |  |  |
|           |   |  |  |  |
|           |   |  |  |  |
|           |   |  |  |  |
|           | Applicable Machines                       | YW06501~<br>LP11001~<br>YP02301~       |  |  |

# KOBELCO

## SHOP MANUAL

Book code No. S5LP0106E

# SK100V SK120V SK120LCV

**LP01**

### SPECIFICATION

#### TABLE OF CONTENTS

|   |    |
|---|----|
| 1. NAME OF COMPONENTS .....             | 1  |
| 2. GENERAL DIMENSIONS .....             | 2  |
| 3. SPECIFICATIONS AND PERFORMANCE ..... | 4  |
| 4. TYPE OF SHOES .....                  | 5  |
| 5. TYPE OF BUCKET .....                 | 6  |
| 6. COMBINATION OF ATTACHMENTS .....     | 7  |
| 7. WORKING RANGES OF ATTACHMENTS .....  | 9  |
| 8. LIFTING-UP ABILITY DIAGRAM .....     | 13 |
| 9. ENGINE SPECIFICATIONS .....          | 17 |

Applicable Machines

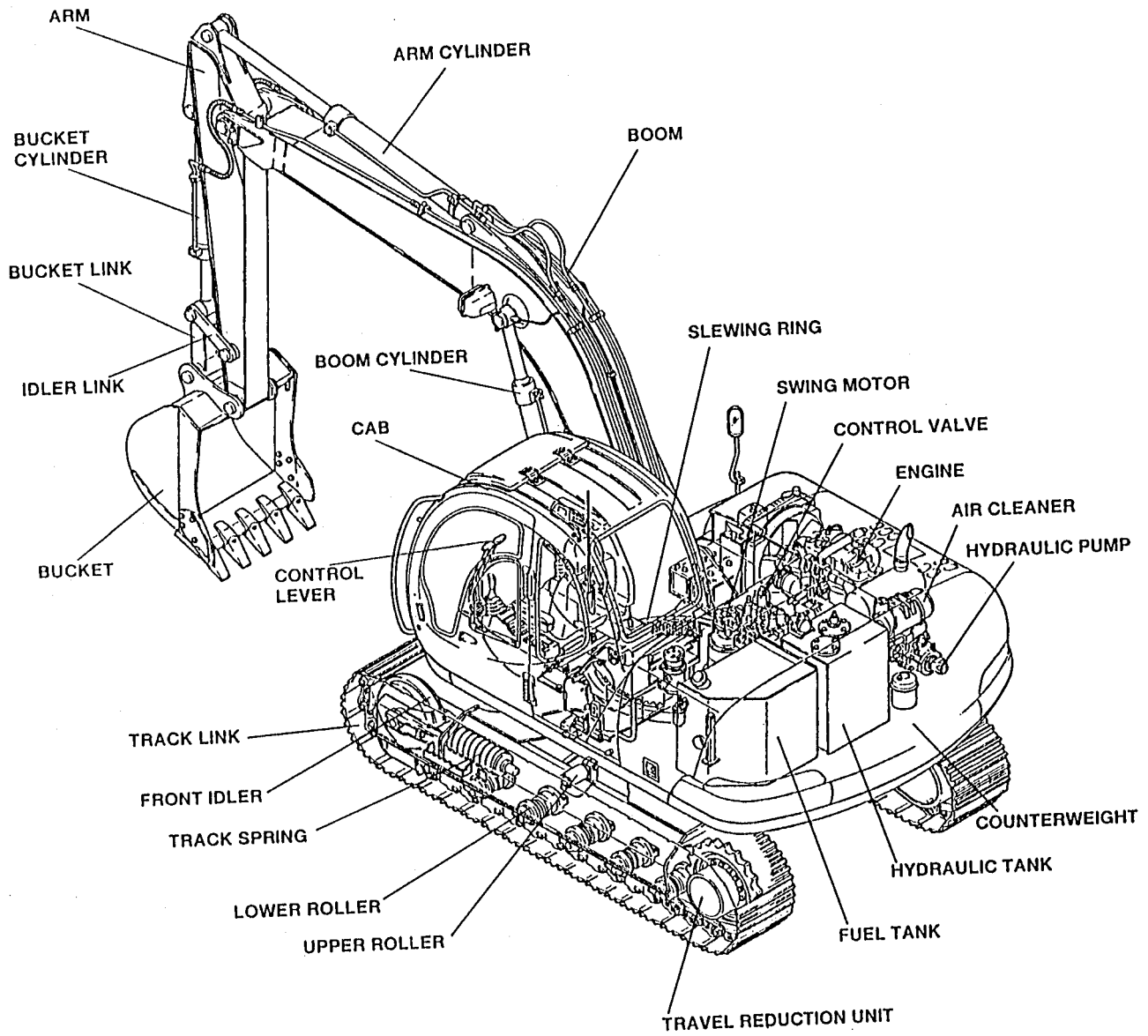
YW06501~

LP11001~

YP02301~

| Revision      | Date of Issue | Remarks     |
|---------------|---------------|-------------|
| First edition | April, 1994   | S5LP0106E K |
|               |               |             |
|               |               |             |
|               |               |             |
|               |               |             |
|               |               |             |

# 1. NAME OF COMPONENTS



LP-0-1

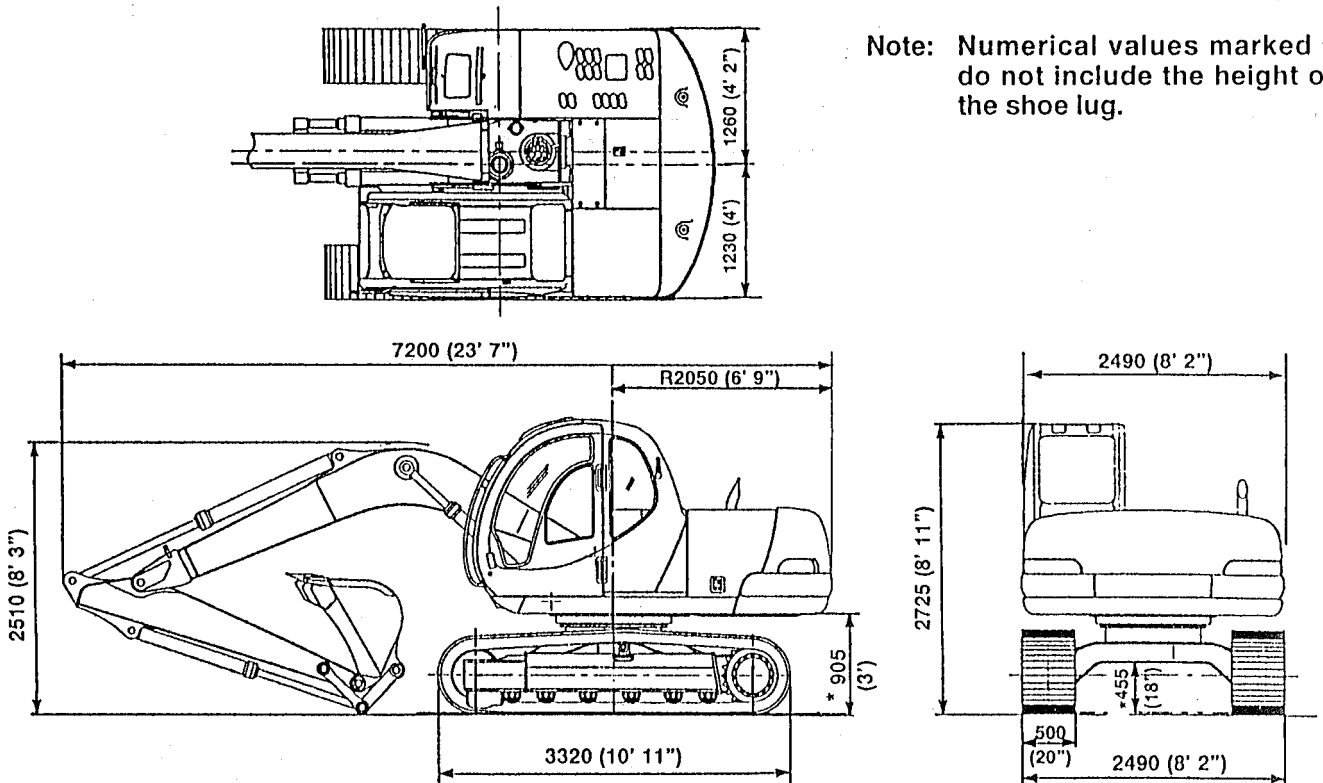


## 2. GENERAL DIMENSIONS

- SK100 v with 4.26 m (14 ft) boom and 2.22 m (7 ft-3 in) standard arm

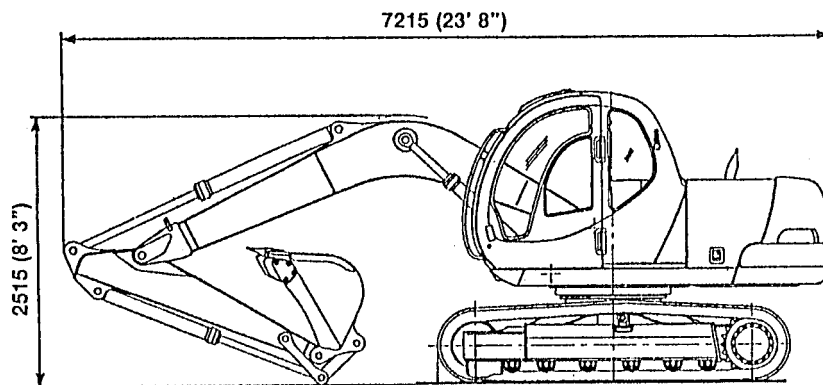
Unit: mm (ft-in)

Note: Numerical values marked \* do not include the height of the shoe lug.



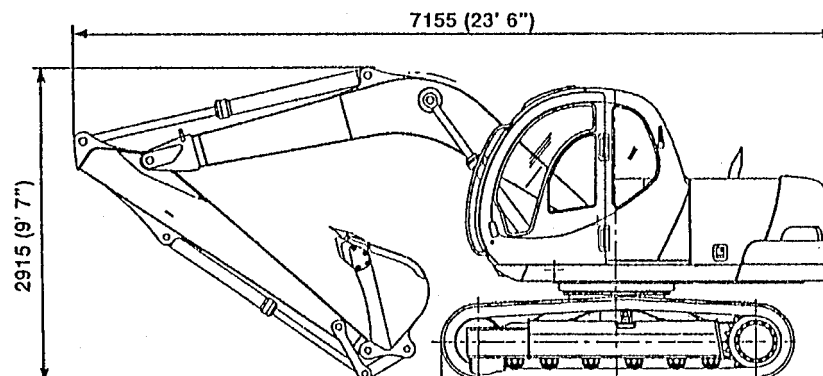
LP-6-1

- SK100 v with 4.26 m (14 ft) boom and 1.9 m (6 ft-3 in) short arm



LP-6-2

- SK100 v with 4.26 m (14 ft) boom and 2.7 m (8 ft-10 in) long arm

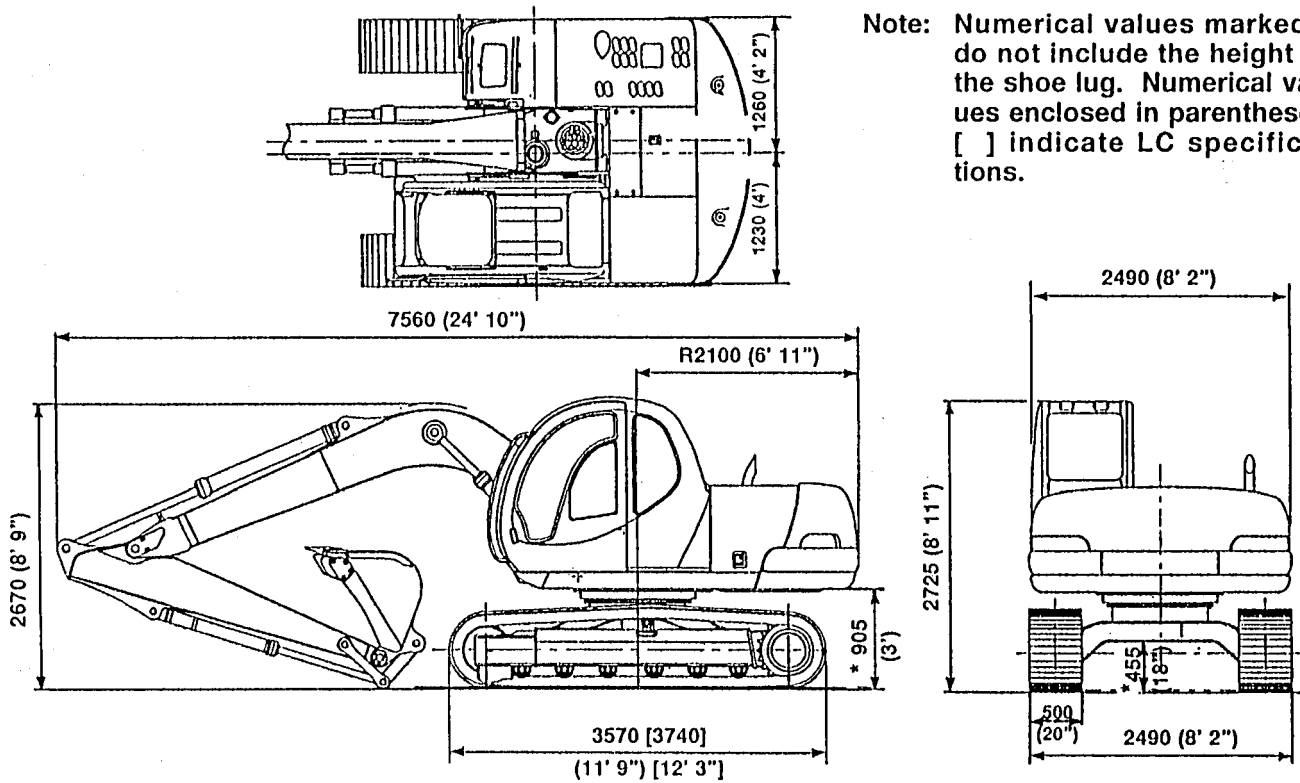


LP-6-3

- SK120 v AND SK120Lcv with 4.6 m (15 ft-1 in) boom and 2.5 m (8 ft-2 in) standard arm

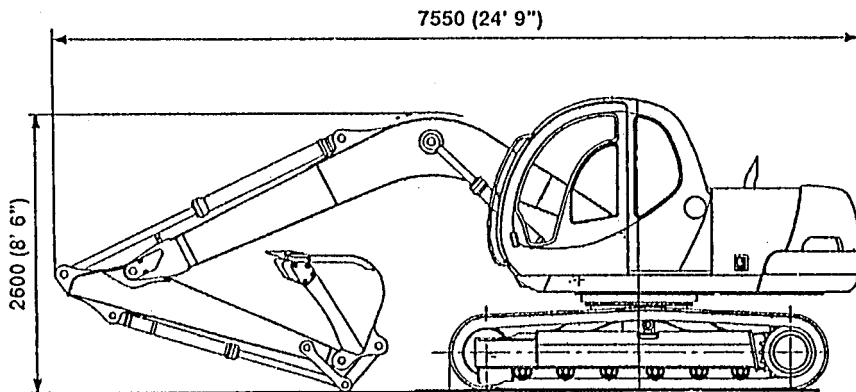
Unit: mm (ft-in)

Note: Numerical values marked \* do not include the height of the shoe lug. Numerical values enclosed in parentheses [ ] indicate LC specifications.



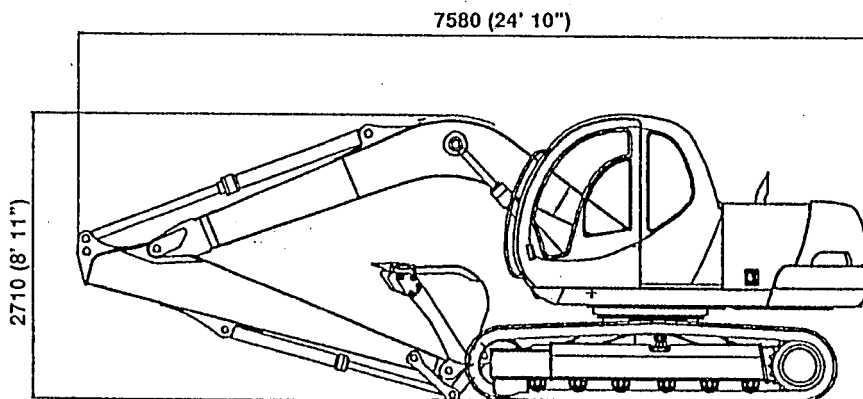
LP-6-4

- SK120 v AND SK120Lcv with 4.6 m (15 ft-1 in) boom and 2.1 m (6 ft-11 in) short arm



LP-6-5

- SK120 v AND SK120Lcv with 4.6 m (15 ft-1 in) boom and 3.0 m (9 ft-10 in) long arm



LP-6-6

### 3. SPECIFICATIONS AND PERFORMANCE

#### ● SPEED AND CLIMBING CAPABILITY

| Item \ Model                 | SK100 v                | SK120 v, SK120Lc v |
|------------------------------|------------------------|--------------------|
| Swing Speed (high/low) rpm   | 12/4                   | ←                  |
| Travel Speed (high/low) km/h | 7/1 km/h (4.3/0.6 mph) | ←                  |
| Gradeability                 | 70% (35°)              | ←                  |

#### ● ENGINE

| Item \ Model                       | SK100 v  | SK120 v, SK120Lc v   |
|------------------------------------|--|--|
| Engine model                       | ISUZU 4BD1   | ISUZU 4BD1T  |
| Type                               | 4-cycle, water-cooled direct injection type diesel | 4-cycle, water-cooled direct injection type with turbo charger |
| Number of Cylinder — Bore x Stroke | 4—102 mm x 118 mm (4 in. x 4.64 in.)               | ←  |
| Total displacement                 | 3856 c.c. (235 cuin)                               | ←  |
| Rated Output/Rotation Speed        | 76 PS / 2300 rpm                                   | 85 PS / 2100 rpm   |
| Maximum Torque/Rotation Speed      | 24 kgf·m / 1600 rpm                                | 30.5 kg·m / 1600 rpm   |

#### ● HYDRAULIC COMPONENTS

| Item \ Model                     | SK100 v  | SK120 v, SK120Lc v |
|----------------------------------|--|--------------------|
| Hydraulic Pump                   | Double-pump variable displacement axial piston + gear pump | ←                  |
| Hydraulic Motor (swing)          | Axial piston motor   | ←                  |
| Hydraulic Motor (Travel)         | Axial piston motor   | ←                  |
| Control Valve                    | 6-section multiple control valve                           | ←                  |
| Cylinder (boom, arm, and bucket) | Double action cylinder                                     | ←                  |
| Oil Cooler                       | Air-cooled type  | ←                  |

#### ● WEIGHT

Unit: kg (lbs)

| Item \ Model  | SK100 v       | SK120 v       | SK120Lc v     |
|---|---------------|---------------|---------------|
| Fully equipped Weight   | 10600 (23400) | 11800 (26000) | 12000 (26400) |
| Upper Frame machinery   | 4650 (10250)  | 5500 (12100)  | ←             |
| Lower Frame machinery with 500mm [20 in] grouser shoe   | 4000 (8820)   | 4150 (9150)   | 4350 (9590)   |
| Attachment 4.26 m (14 ft) boom + 2.22 m (7 ft-3 in) arm + 0.4 m <sup>3</sup> (0.52 cuyd) bucket     | 1950 (4300)   | —             | —             |
| Attachment 4.6 m (15 ft-1 in) boom + 2.5 m (8 ft-2 in) arm + 0.45 m <sup>3</sup> (0.59 cuyd) bucket | —             | 2150 (4740)   | ←             |

**BUY NOW**

**Then Instant Download  
the Complete Manual  
Thank you very much!**