

HYDRAULIC EXCAVATOR

SHOP MANUAL

model

SK430 
SK430Lc 

This is the shop manual for KOBELCO hydraulic excavator. Contained is the necessary technical data concerning the maintenance and repair of this model. The manual is divided into the following four major sections; GENERAL, SYSTEMS, COMPONENTS and PROCEDURE.

*GENERAL

LS01. SPECIFICATION

- OPERATION AND CONTROLS
(Refer to Operators Manual)

LS03. LOCATION AND
WEIGHT OF COMPONENTS

LS04. MAINTENANCE STANDARD AND
TEST PROCEDURE

- PREVENTIVE MAINTENANCE
(Refer to Operators Manual)

LS07. WORKING STANDARD

LS08. STANDARD MAN-HOUR TABLE

*SYSTEMS

LS12. HYDRAULIC SYSTEM

LS15. SWING FRAME

LS18. TRAVEL SYSTEM

LS21. ATTACHMENTS

LS22. CONTROL SYSTEM

LS25. ELECTRICAL SYSTEM

LS26. AIR-CONDITIONER SYSTEM

LS29. TROUBLE SHOOTING

*COMPONENTS

12. HYDRAULIC PUMP

13. CONTROL VALVE

14. OTHER VALVES

15. HYDRAULIC MOTOR

16. SWIVEL JOINT

17. HYDRAULIC CYLINDER

21. REDUCTION UNIT

50. ENGINE

*PROCEDURE

When checking or repairing the machine we suggest that you refer to this manual carefully. We hope that reference to this manual will help to maintain a high level of working efficiency and reliability. For further details on maintenance and checks refer to the "OPERATORS MANUAL" which has been supplied with the machine.

Although all data was correct at the time of printing, due to continual design changes and improvements, some contents may not conform to the actual machine. Take special care to order parts only after confirming the validity of the part number in the "PARTS MANUAL".

If you notice any explanatory discrepancies, after consulting one of our representatives, please update your manual according to the latest data. However, in the event of any specification changes, we will issue revised edition.

INDEX

KOBELCO

Book code No. S5LS0004E

WARNING

SAFETY

WARNING

The proper and safe lubrication and maintenance for this machine, recommended by KOBELCO are outlined in the OPERATION & MAINTENANCE GUIDE for this machine.

Improper performance of lubrication or maintenance procedures is dangerous and could result in injury or death. Read and understand the OPERATION & MAINTENANCE GUIDE before performing any lubrication or maintenance.

The serviceman or mechanic may be unfamiliar with many of the systems on this machine. This makes it important to use caution when performing service work. A knowledge of the system and or components is important before the removal or disassembly of any component.

Because of the size of some of the machine components, the serviceman or mechanic should check the weights noted in this Manual. Use proper lifting procedures when removing any components.

Following is a list of basic precautions that should always be observed.

1. Read and understand all Warning plates and labels on the machine before operating, lubricating or repairing this product.
2. Always wear protective glasses and protective shoes when working around machines. In particular, wear protective glasses when pounding on any part of the machine or its attachments with a hammer or sledge. Use welders gloves, hood/goggles, apron and other protective clothing appropriate to the welding job being performed. Do not wear loose-fitting or torn clothing. Remove all rings from fingers when working on machinery.
3. Disconnect battery and discharge any capacitors before starting to work on machine. Hang "Do Not Operate" tag in the Operator's Compartment.
4. If possible, make all repairs with the machine parked on a level, hard surface. Block machine so it does not roll while working on or under machine.
5. Do not work on any machine that is supported only by lift jacks or a hoist. Always use blocks or jack stands to support the machine before performing any disassembly.

WARNING

Do not operate this machine unless you have read and understand the instructions in the OPERATORS MANUAL. Improper machine operation is dangerous and could result in injury or death.

6. Relieve all pressure in air, oil or water systems before any lines, fittings or related items are disconnected or removed. Always make sure all raised components are blocked correctly and be alert for possible pressure when disconnecting any device from a system that utilizes pressure.
7. Lower the bucket, blade, ripper or other attachments to the ground before performing any work on the machine. If this cannot be done, make sure the bucket, blade, ripper or other attachments is blocked correctly to prevent it from dropping unexpectedly.
8. Use steps and grab handles when mounting or dismounting a machine. Clean any mud or debris from steps, walkways or work platforms before using. Always face machine when using steps, ladders and walkways. When it is not possible to use the designed access system, provide ladders, scaffolds, or work platforms to perform safe repair operations.
9. To avoid back injury, use a hoist when lifting components which weigh 23 kg (50 lbs) or more. Make sure all chains, hooks, slings, etc., are in good condition and are in the correct capacity. Be sure hooks are positioned correctly. Lifting eyes are not to be side loaded during a lifting operation.
10. To avoid burns, be alert for hot parts on machines which have just been stopped and hot fluids in lines, tubes and compartments.
11. Be careful when removing cover plates. Gradually back off the last two bolts or nuts located at opposite ends of the cover or device and pry cover loose to relieve any spring or other pressure, before removing the last two bolts or nuts completely.
12. Be careful when removing filler caps, breathers and plugs on the machine. Hold a rag over the cap or plug to prevent being sprayed or splashed by liquids under pressure. The danger is even greater if the machine has just been stopped because fluids can be hot.

 **WARNING**

13. Always use tools that are in good condition and be sure you understand how to use them before performing any service work.
 14. Reinstall all capscrews with same part number. Do not use a lesser quality capscrew if replacements are necessary.
 15. Repairs which require welding should be performed only with the benefit of the appropriate reference information and by personnel adequately trained and knowledgeable in welding procedures. Determine type of metal being welded and select correct welding procedure and electrodes, rods or wire to provide a weld metal strength equivalent at least to that of parent metal. Always disconnect battery during welding operations to protect sensitive electric equipment.
 16. Do not damage wiring during removal operations. Reinstall the wiring so it is not damaged nor will it be damaged in operation by contacting sharp corners, or by rubbing against some object or hot surface. Do not connect wiring to a line containing fluid.
 17. Be sure all protective devices including guards and shields are properly installed and functioning correctly before starting a repair. If a guard or shield must be removed to perform the repair work, use extra caution.
 18. Loose or damaged fuel, lubricant and hydraulic lines, tubes and hoses can cause fires. Do not bend or strike high pressure lines or install ones which have been bent or damaged. Inspect lines, tubes and hoses carefully. Do not check for leaks with your hands. Pin hole (very small) leaks can result in a high velocity oil stream that will be invisible close to the hose. This oil can penetrate the skin and cause personal injury. Use cardboard or paper to locate pin hole leaks.
 19. Tighten connections to the correct torque. Make sure that all heat shields, clamps and guards are installed correctly to avoid excessive heat, vibration or rubbing against other parts during operation. Shields that protect against oil spray onto hot exhaust components in event of a line, tube or seal failure must be installed correctly.
 20. Do not operate a machine if any rotating part is damaged or contacts any other part during operation. Any high speed rotating component that has been damaged or altered should be checked for balance before reusing.
 21. On track-type machines, be careful when servicing or separating tracks. Chips can fly when removing or installing a track pin. Wear safety glasses and long sleeve shirts. Track can unroll very quickly when separated. Keep away from front and rear of machine. The machine can move unexpectedly when both tracks are disengaged from the sprockets. Block the machine to prevent it from moving.
 22. Caution should be used to avoid breathing dust that may be generated when handling components containing asbestos fibers. If this dust is inhaled, it can be hazardous to your health. Components in KOBELCO products that may contain asbestos fibers are brake pads, brake band and lining assemblies, clutch plates and some gaskets. The asbestos used in these components is usually bound in a resin or sealed in some way. Normal handling is not hazardous as long as airborne dust which contains asbestos is not generated.
- If dust which may contain asbestos is present, there are several common sense guidelines that should be followed.
- a. Never use compressed air for cleaning.
 - b. Avoid brushing or grinding of asbestos containing materials.
 - c. For clean up, use wet methods or a vacuum equipped with a high efficiency particulate air (HEPA) filter.
 - d. Use exhaust ventilation on permanent machining jobs.
 - e. Wear an approved respirator if there is no other way to control the dust.
 - f. Comply with applicable rules and regulations for the work place.
 - g. Follow environmental rules and regulations for disposal of asbestos.
 - h. Avoid areas where asbestos particles may be in the air.

SHOP MANUAL

model

SK430 
SK430 **Lc** 

TABLE OF CONTENTS

1. SPECIFICATION
2. OPERATION AND CONTROLS (Refer to Operators Manual)
3. LOCATION AND WEIGHT OF COMPONENTS
4. MAINTENANCE STANDARDS AND TEST PROCEDURES
5.
6. PREVENTIVE MAINTENANCE (Refer to Operators Manual)
7. WORKING STANDARDS
8. STANDARD MAN-HOUR TABLE

LS01

LS03

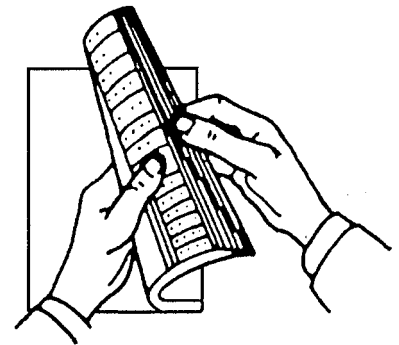
LS04

LS07

LS08

○How to Index each Shop Manual Section

The **GENERAL** of this shop manual consists of 8 headings as shown above. Each section can be easily referred to by indexes appended to the margin of the page as indicated on the right. Please use the indexes for speedy reference.



KOBELCO

GENERAL

SK430^{III}
 SK430^{LSIII} List of Shop Manual GENERAL Section

| Index No. | Title | Book Code No. | | |
|-----------|---|--|--|--|
| | | Distribution Year - Month | | |
| LS01 | SPECIFICATION | S5LS0104E 1995-03 | | |
| — | OPERATION | S2LC1012E Refer to Operators manual | | |
| LS03 | LOCATION AND WEIGHT OF COMPONENTS | S5LS0304E 1995-03 | | |
| LS04 | MAINTENANCE STANDARDS AND TEST PROCEDURES | S5LS0404E 1995-03 | | |
| — | PREVENTIVE MAINTENANCE | S2LC1012E Refer to Operators manual | | |
| LS07 | WORKING STANDARDS | S5LS0704E 1995-03 | | |
| LS08 | STANDARD MAN-HOUR TABLE | S5LS0802E 1995-03 | | |
| | | | | |
| | | | | |
| | | | | |
| | | | | |
| | | | | |
| | | | | |
| | | | | |
| | | | | |
| | | | | |
| | | | | |
| | | | | |
| | | | | |
| | | | | |
| | | | | |
| | | | | |
| | | | | |
| | | | | |
| | Applicable Machines | LS00701~ YS00601~ | | |

Book code No.

S5LS0104E

KOBELCO

SHOP MANUAL

SK430

SK430Lc

LS01

SPECIFICATION

TABLE OF CONTENTS

| | |
|--|----|
| 1. LOCATION OF COMPONENTS | 1 |
| 2. GENERAL DIMENSIONS | 2 |
| 3. SPECIFICATIONS AND PERFORMANCE | 4 |
| 4. TYPE OF SHOES | 5 |
| 5. TYPE AND COMBINATION OF ATTACHMENTS ... | 5 |
| 6. WORKING RANGES OF ATTACHMENTS | 6 |
| 7. LIFTING-UP ABILITY DIAGRAM | 8 |
| 8. ENGINE SPECIFICATIONS | 18 |



KOBE STEEL, LTD.

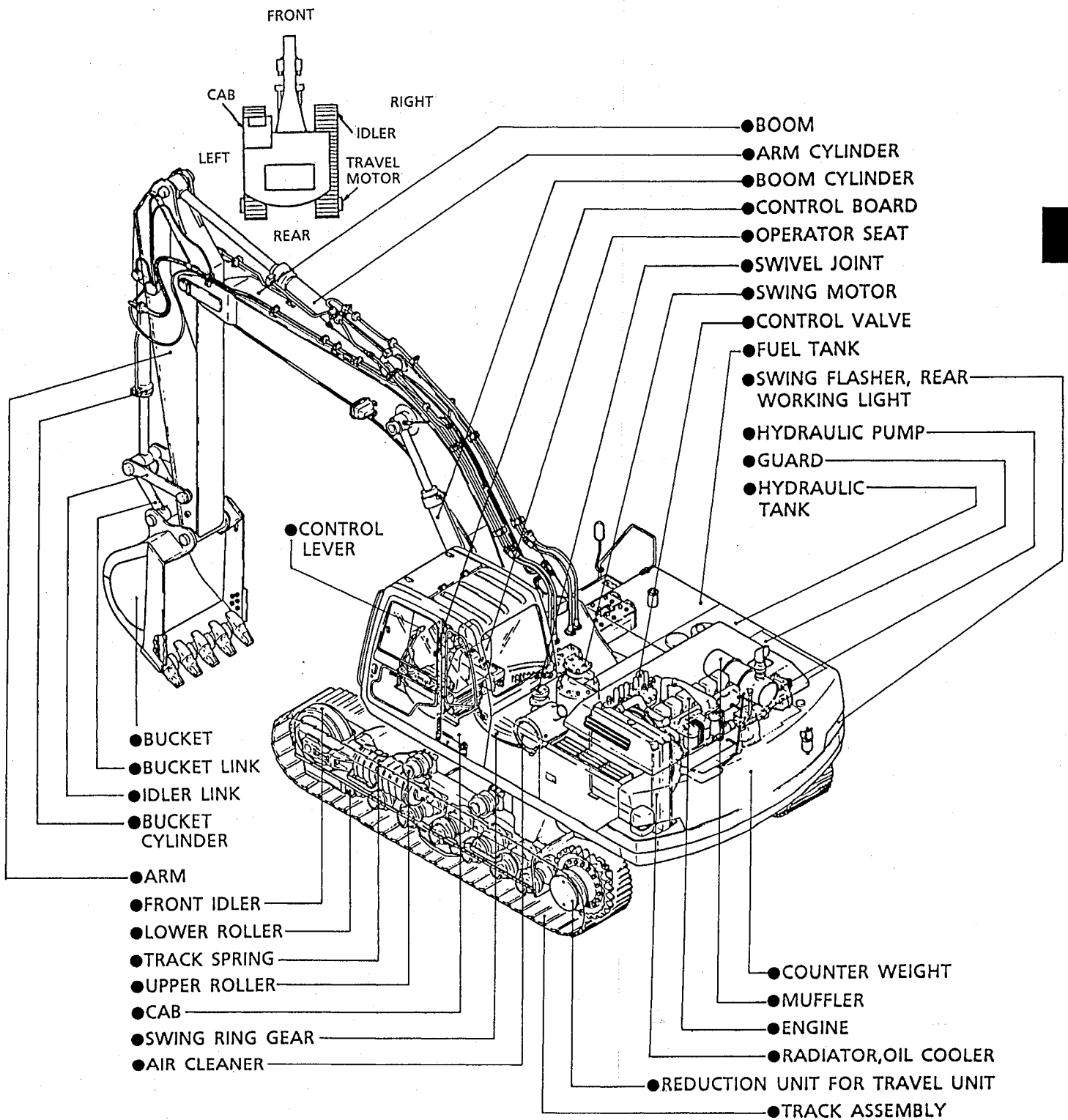
Applicable Machines

LS00701~

YS00601~

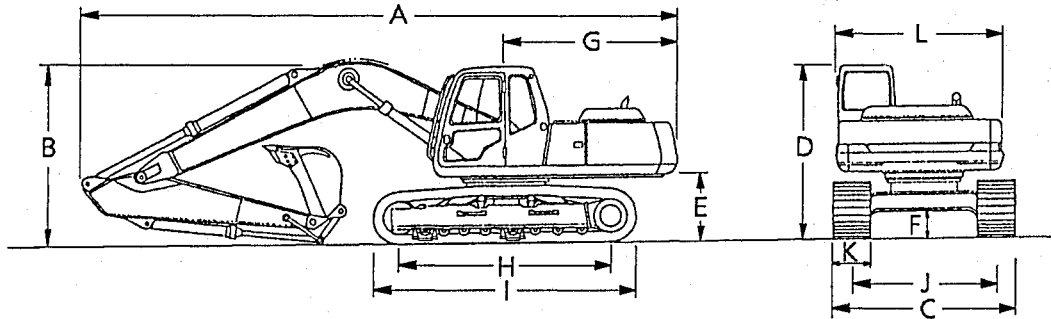
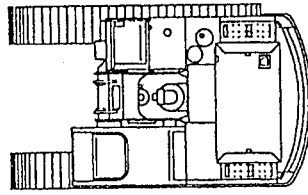
| Revision | Date of Issue | Remarks |
|---------------|---------------|-------------|
| First edition | March, 1995 | S5LS0104E K |
| | | |
| | | |
| | | |
| | | |
| | | |

1. LOCATION OF COMPONENTS



2. GENERAL DIMENSIONS

SK430III

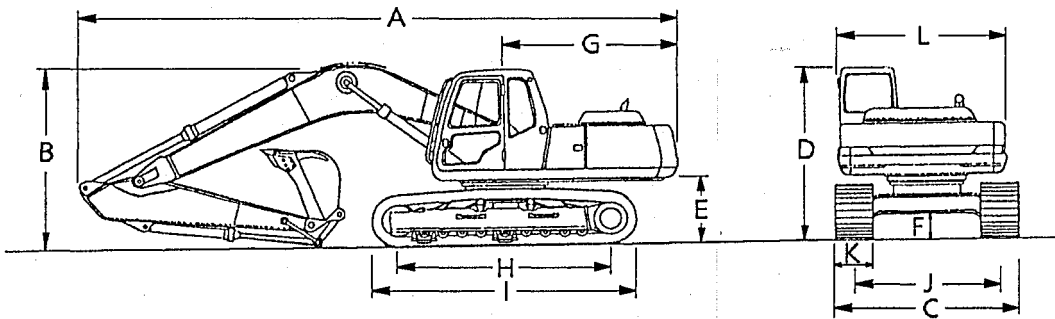
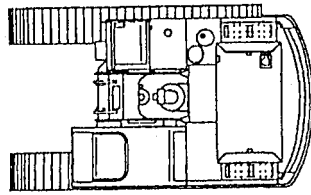


Unit : m (ft)

| Arm length | | 3.0 (9-10) | 3.45 (11-4) | 3.95 (13-0) | 4.9 (16-1) |
|------------|-------------------------------------|-------------------|-------------------|-------------------|-------------------|
| A | Overall length | 11.79 (38-5) | 11.67 (38-3) | 11.72 (38-5) | 11.81 (38-7) |
| B | Overall height (to top of boom) | 3.58 (11-10) | 3.43 (11-3) | 5.57 (11-8) | 4.12 (13-9) |
| C-1 | Overall width (900mm (35.4in) Shoe) | 3.65 (12-0) | 3.65 (12-0) | 3.65 (12-0) | 3.65 (12-0) |
| C-2 | Overall width (800mm (31.5in) Shoe) | 3.55 (11-8) | 3.55 (11-8) | 3.55 (11-8) | 3.55 (11-8) |
| C-3 | Overall width (600mm (23.6in) Shoe) | 3.35 (11-0) | 3.35 (11-0) | 3.35 (11-0) | 3.35 (11-0) |
| D | Overall height (to top of cab) | 3.21 (10-6) | 3.21 (10-6) | 3.21 (10-6) | 3.21 (10-6) |
| E | Ground clearance of rear end* | 1.325 (4-4) | 1.325 (4-4) | 1.325 (4-4) | 1.325 (4-4) |
| F | Ground clearance* | 490mm (19.3in) | 490mm (19.3in) | 490mm (19.3in) | 490mm (19.3in) |
| G | Tail swing radius | 3.40 (11-2) | 3.40 (11-2) | 3.40 (11-2) | 3.40 (11-2) |
| H | Tumbler distance | 4.055 (13-4) | 4.055 (13-4) | 4.055 (13-4) | 4.055 (13-4) |
| I | Overall length of crawler | 5.115 (16-9) | 5.115 (16-9) | 5.115 (16-9) | 5.115 (16-9) |
| J | Track gauge | 2.75 (9-0) | 2.75 (9-0) | 2.75 (9-0) | 2.75 (9-0) |
| K-1 | Shoe width | 900mm (35.4in) | 900mm (35.4in) | 900mm (35.4in) | 900mm (35.4in) |
| K-2 | Shoe width | 800mm (32in) | 800mm (32in) | 800mm (32in) | 800mm (32in) |
| K-3 | Shoe width | 600mm (24in) | 600mm (24in) | 600mm (24in) | 600mm (24in) |
| L | Overall width of upper structure | 3.25 (10-8) | 3.25 (10-8) | 3.25 (10-8) | 3.25 (10-8) |

NOTE : Figure of asterisk (*) apply to value without shoe lug.

SK430LCIII



Unit : m (ft)

| | | 3.0 (9-10) | 3.45 (11-4) | 3.95 (13-0) | 4.9 (16-1) |
|-----|-------------------------------------|-------------------|-------------------|-------------------|-------------------|
| | Arm length | | | | |
| A | Overall length | 11.73 (38-6) | 11.67 (38-3) | 11.72 (38-5) | 11.75 (38-7) |
| B | Overall height (to top of boom) | 3.61 (11-10) | 3.43 (11-3) | 3.57 (11-8) | 4.19 (13-9) |
| C-1 | Overall width (900mm (35.4in) Shoe) | 3.65 (12-0) | 3.65 (12-0) | 3.65 (12-0) | 3.65 (12-0) |
| C-2 | Overall width (800mm (31.5in) Shoe) | 3.55 (11-8) | 3.55 (11-8) | 3.55 (11-8) | 3.55 (11-8) |
| C-3 | Overall width (600mm (23.6in) Shoe) | 3.35 (11-0) | 3.35 (11-0) | 3.35 (11-0) | 3.35 (11-0) |
| D | Overall height (to top of cab) | 3.21 (10-6) | 3.21 (10-6) | 3.21 (10-6) | 3.21 (10-6) |
| E | Ground clearance of rear end* | 1.325 (4-4) | 1.325 (4-4) | 1.325 (4-4) | 1.325 (4-4) |
| F | Ground clearance* | 490mm (19.3in) | 490mm (19.3in) | 490mm (19.3in) | 490mm (19.3in) |
| G | Tail swing radius | 3.40 (11-2) | 3.40 (11-2) | 3.40 (11-2) | 3.40 (11-2) |
| H | Tumbler distance | 4.37 (14-4) | 4.37 (14-4) | 4.37 (14-4) | 4.37 (14-4) |
| I | Overall length of crawler | 5.46 (17-11) | 5.46 (17-11) | 5.46 (17-11) | 5.46 (17-11) |
| J | Track gauge | 2.75 (9-0) | 2.75 (9-0) | 2.75 (9-0) | 2.75 (9-0) |
| K-1 | Shoe width | 900mm (35.4in) | 900mm (35.4in) | 900mm (35.4in) | 900mm (35.4in) |
| K-2 | Shoe width | 800mm (32in) | 800mm (32in) | 800mm (32in) | 800mm (32in) |
| K-3 | Shoe width | 600mm (24in) | 600mm (24in) | 600mm (24in) | 600mm (24in) |
| L | Overall width of upper structure | 3.25 (10-8) | 3.25 (10-8) | 3.25 (10-8) | 3.25 (10-8) |

NOTE : Figure of asterisk (*) apply to value without shoe lug.

3. SPECIFICATIONS AND PERFORMANCE

■ SPEED AND CLIMBING ABILITY

| Item | Model | SK430III · SK430LcIII |
|--------------|-------|---------------------------------|
| Swing speed | | 9.0rpm |
| Travel speed | | 5.5 / 3.5km / h (3.4 / 2.2 mph) |
| Gradeability | | 35° (70%) |

■ ENGINE

| Model | | Mitsubishi 6D22-TC |
|--------------------------------|---------------|---|
| Type | | Water-cooled 4-cycle, direct injection type diesel engine with intercooled, turbo-charger |
| Number of cylinder-Bore×Stroke | | 6-130mm(5.11in)×140mm(5.51in) |
| Total displacement | | 11,149c.c. (680cuin) |
| Rated output power/revolution | JISD 1005 NET | 300 PS / 2,000rpm |
| | ISO 9249 NET | 221 KW / 2,000rpm |
| Maximum torque/revolution | JISD 1005 NET | 121 kgf·m / 1,400rpm |
| | ISO 9249 NET | 1,190N·m/ 1,400rpm |

■ HYDRAULIC COMPONENTS

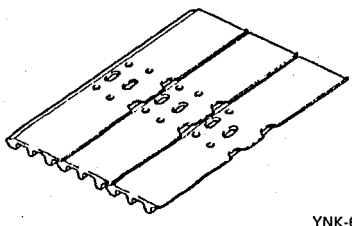
| | |
|-----------------------------------|--|
| Hydraulic pump | Double-pump variable displacement, axial piston + gear pump |
| Hydraulic motor (swing) | Axial piston motor |
| Hydraulic motor (travel) | Axial piston motor |
| Control valve | 6-spool multiple control valve + 1-spool control valve (swing) |
| Cylinders (boom, arm, and bucket) | Double acting cylinder |
| Return filter | Safety valve containing filter type |
| Oil cooler | Air-cooled type |

■ WEIGHT

Unit : ton (lbs)

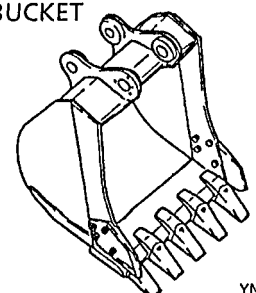
| Item | Model | SK430III | | | SK430LcIII | | |
|--|-----------|---------------|---------------|---------------|---------------|---------------|---------------|
| | | 41.9 (92,400) | 43.2 (95,300) | 43.7 (96,300) | 42.5 (93,700) | 43.9 (96,800) | 44.4 (97,900) |
| Fully-equipped weight | | 41.9 (92,400) | 43.2 (95,300) | 43.7 (96,300) | 42.5 (93,700) | 43.9 (96,800) | 44.4 (97,900) |
| Upper machinery | | 18.6 (41,000) | ← | ← | ← | ← | ← |
| Lower machinery with grouser shoe | 600 (24") | 15.5 (34,200) | — | — | 16.1 (35,500) | — | — |
| | 800 (32") | — | 16.8 (37,100) | — | — | 17.5 (38,600) | — |
| | 900 (36") | — | — | 17.3 (38,100) | — | — | 18.0 (39,700) |
| Attachment (7.0m(23ft) boom + 3.45m (11ft-4in) arm + 1.8m ³ (2.35cu yd) bucket) | | 7.8 (17,200) | ← | — | ← | ← | — |

4. TYPE OF SHOES

| Shape | Model | Width of track shoe (mm(ft-in)) | Overall width of crawler (mm(ft-in)) | Ground pressure (kg/cm ² (psi)) |
|--|------------|---------------------------------|--------------------------------------|--|
|  YNK-6-7 | SK430III | 600 (24") | 3,350 (11'0") | 0.79 (11.24) |
| | 50 link | 800 (32") | 3,550 (11'8") | 0.61 (8.68) |
| | SK430LcIII | 600 (24") | 3,350 (11'0") | 0.75 (10.67) |
| | 53 link | 800 (32") | 3,550 (11'8") | 0.58 (8.25) |

NOTE: The 800mm (32") shoes is applied for general civil work, one is used for soft ground operation. Do not use them in rough operations, such as gravel and rock digging.

5. TYPES AND COMBINATIONS OF ATTACHMENTS

| HOE BUCKET  YNK-6-8 | SAE, JIS Heaped capacity m ³ (cuyd) | Outside width of bucket mm (ft in) | | No. of teeth | Equipped with side cutter | Possibility of turnover | Weight kg (lbs) |
|--|--|------------------------------------|---------------------|--------------|---------------------------|-------------------------|-----------------|
| | | With side cutter | Without side cutter | | | | |
| | 1.40 (1.83) | 1,225 (4'0") | 1,100 (3'7") | 4 | Yes | Yes | 1,210 (2,670) |
| | 1.60 (2.09) | 1,375 (4'6") | 1,250 (4'1") | 4 | Yes | Yes | 1,280 (2,820) |
| | 1.80 (2.35) | 1,520 (5'0") | 1,395 (4'7") | 5 | Yes | Yes | 1,380 (3,040) |
| | 2.10 (2.75) | 1,670 (5'6") | 1,540 (5'1") | 5 | Yes | Yes | 1,460 (3,220) |

■ COMBINATIONS OF ATTACHMENTS

| Type | Bucket | | Applicable arm | | | |
|------------|---|---|---------------------|----------------------|----------------------|---------------------|
| | SAE-JIS heaped capacity m ³ (cuyd) | JIS-SAE struck capacity m ³ (cuyd) | 3.0m (9ft-10in) arm | 3.45m (11ft-4in) arm | 3.95m (13ft-0in) arm | 4.9m (16ft-1in) arm |
| Hoe bucket | 1.40 (1.83) | 1.10 (1.44) | ○ | ○ | ○ | ◎ |
| | 1.60 (2.09) | 1.20 (1.57) | ○ | ○ | ◎ | △ |
| | 1.80 (2.35) | 1.40 (1.83) | ○ | ◎ | ○ | × |
| | 2.10 (2.75) | 1.60 (2.09) | ◎ | ○ | ○ | × |
| | — | — | — | — | — | — |

NOTE : ◎ Standard combinations

○ General operation : Digging and loading of sand, gravels and clay-mixed soil

△ Light operation : Operations mainly consisting of loading of loose sand and soil (for instance, operations in paddy fields and loading of sand and gravels)

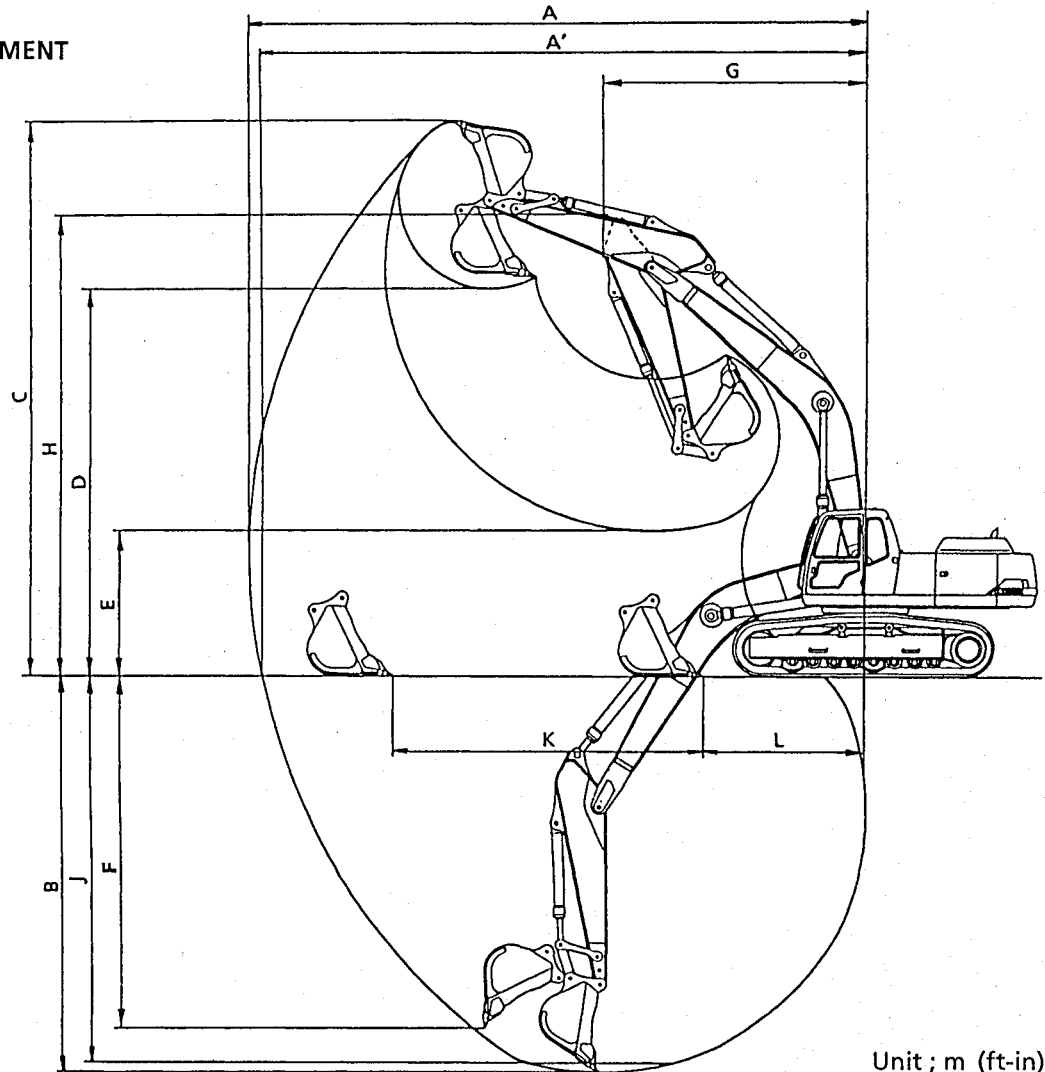
× Not usable : Do not operate in such combinations as guarantee does not cover them.

⚠ CAUTION

- If a bucket other than a hoe bucket is used to execute face shovel operation, it will cause damage to the arm and the bucket.
- The combinations other than those mentioned in the above table cannot be used in principle. For further details, contact KOBELCO.

6. WORKING RANGES OF ATTACHMENTS

■ BACKHOE ATTACHMENT

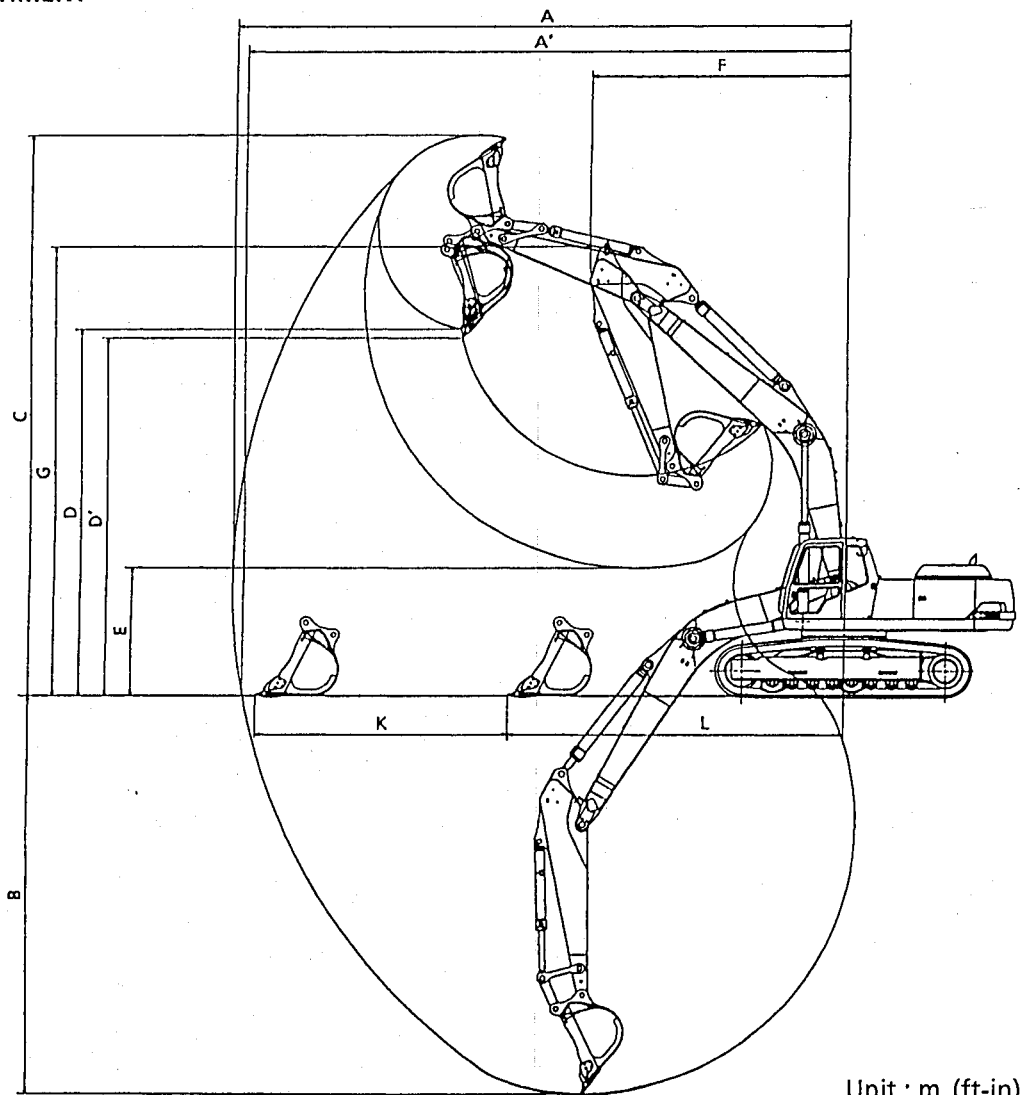


Unit ; m (ft-in)

| Item | | Range | Type of attachment | 3.0m (9ft10in) arm with 2.10m ³ (2.75cuyd) bucket | 3.45m (11ft4in) arm with 1.80m ³ (2.35cuyd) bucket | 3.95m (13ft) arm with 1.60m ³ (2.09cuyd) bucket | 4.9m (16ft1in) arm with 1.40m ³ (1.83cuyd) bucket |
|------|---------------------------------|---------|--------------------|--|---|--|--|
| A | Max digging reach | | | 11.72 (38'5") | 12.03 (39'6") | 12.49 (41'0") | 13.40 (44'0") |
| A' | Max. reach at ground level | | | 11.49 (37'8") | 11.80 (38'9") | 12.28 (40'4") | 13.20 (43'4") |
| B | Max. digging depth | | | 7.35 (24'1") | 7.80 (25'7") | 8.30 (27'3") | 9.25 (30'4") |
| C | Max. digging height | | | 11.17 (36'8") | 10.97 (36'0") | 11.16 (36'7") | 11.58 (38'0") |
| D | Max. dumping clearance | | | 7.70 (25.3") | 7.58 (24'10") | 7.77 (25'6") | 8.18 (26'10") |
| E | Min. dumping clearance | | | 3.24 (10'8") | 2.79 (9'2") | 2.29 (7'6") | 1.34 (4'5") |
| F | Max. Vertical digging depth | | | 6.50 (21'4") | 6.94 (22'9") | 7.42 (24'4") | 8.35 (27'5") |
| G | Min. swing radius | | | 5.17 (17'0") | 5.14 (16'10") | 5.18 (17'0") | 5.26 (17'3") |
| H | Height at min. swing radius | | | 9.04 (29'8") | 9.04 (29'8") | 9.05 (29'8") | 9.05 (29'8") |
| J | Digging depth at 8'-flat bottom | | | 7.19 (23'7") | 7.66 (25'2") | 8.17 (26'10") | 9.14 (30'0") |
| K | Horizontal | Stroke | | 5.20 (17'1") | 6.08 (19'11") | 6.91 (22'8") | 8.24 (27'0") |
| L | digging stroke | At min. | | 3.70 (12'2") | 3.12 (10'3") | 2.76 (9'1") | 2.34 (7'8") |

NOTE : The figures in this table do not include the grouser of shoes [36mm (1.42in)] .

■ FACE SHOVEL ATTACHMENT



Unit ; m (ft-in)

| Type of attachment | | 3.0m (9ft10in) arm with 2.10m ³ (2.75cuyd) bucket | 3.45m (11ft4in) arm with 1.80m ³ (2.35cuyd) bucket | 3.95m (13ft) arm with 1.60m ³ (2.09cuyd) bucket | 4.9m (16ft1in) arm with 1.40m ³ (1.83cuyd) bucket | |
|--------------------|------------------------------|---|--|---|---|---------------|
| Item | Range | | | | | |
| A | Max digging reach | 11.93 (39'2") | 12.23 (40'1") | 12.70 (41'8") | 13.61 (44'8") | |
| A' | Max. reach at ground level | 11.70 (38'5") | 12.01 (39'5") | 12.49 (41'0") | 13.41 (44'0") | |
| B | Max. digging depth | 7.56 (24'10") | 8.01 (26'3") | 8.51 (27'11") | 9.46 (31'0") | |
| C | Max. digging height | 11.47 (37'8") | 11.35 (37'3") | 11.54 (37'10") | 11.94 (39'2") | |
| D | Max. dumping clearance | 7.57 (24'10") | 7.39 (24'3") | 7.59 (24'11") | 8.00 (26'3") | |
| D' | Max. dumping clearance (45°) | 7.07 (23'2") | 7.23 (23'9") | 7.41 (24'4") | 7.72 (25'4") | |
| E | Min. dumping clearance | 3.03 (9'11") | 2.58 (8' 6") | 2.08 (6' 10") | 1.13 (3' 8") | |
| F | Min. swing radius | 5.17 (17'0") | 5.14 (16'10") | 5.18 (17'0") | 5.26 (17'3") | |
| G | Height at min. swing radius | 9.04 (29'8") | 9.04 (29'8") | 9.04 (29'8") | 9.05 (29'8") | |
| K | Horizontal digging stroke | Stroke | 4.42 (14'6") | 5.05 (16'7") | 8.38 (27'6") | 7.66 (25'2") |
| | | At min. | 7.02 (23'0") | 6.70 (22'0") | 6.31 (20'8") | 5.47 (17'11") |
| L | | | | | | |

NOTE : The figures in this table do not include the grouser of shoes [36mm (1.42in)] .

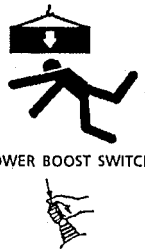
7. LIFTING-UP ABILITY DIAGRAM

(1) Calculation condition

The lifting-up ability of this drawing is indicated by pound standard. The indicated figures fall within 87% of a set pressure of the main relief valve used in the arm and the boom cylinder and 75% of static tilting load.

- 1) The load point is the fulcrum of the bucket and the bucket position is an embraced posture.
- 2) The figures on the upper stage indicate the lifting-up ability of a machine facing sideways, while the figures at the bottom stage represent a machine facing longitudinally.

⚠ Do not use the power boost switch while lifting a load.



⚠ WARNING

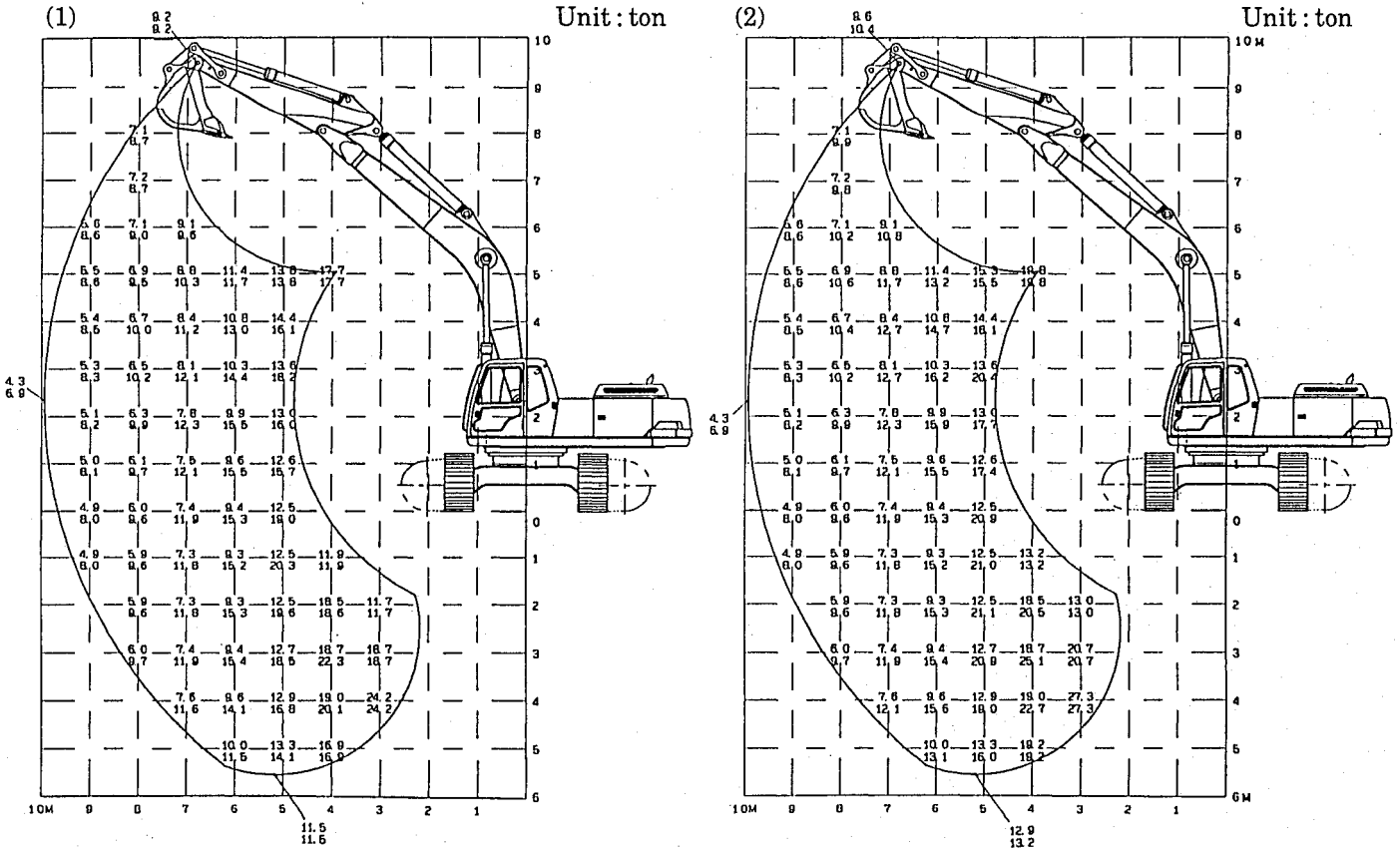
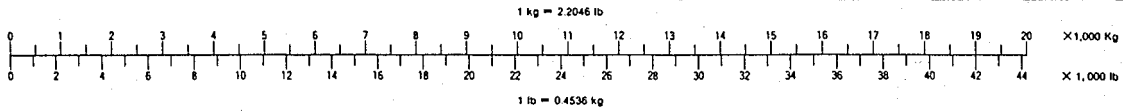
Releasing power boost switch while lifting a load can cause unexpected lowering of load, resulting in severe injury or death.
Never use power boost switch for lifting a load.

YN20T01004P1

Attached to the right side of the cab interior

(2) Lifting-up ability diagram Item No. table

| Model | Pressure kgf/cm ² (psi) | Arm length (M) + bucket capacity (M ³) | | | | | | | | | | | |
|------------|--|--|--------------|--------------|--|--------------|--------------|---|--------------|--------------|---|--------------|--------------|
| | | 3.0M+2.10M ³ (9ft-10in+2.75cu-yd) | | | 3.45M+1.80M ³ (11ft-4in+2.35cu-yd) | | | 3.95M+1.60M ³ (13ft-11.5in+2.09cu-yd) | | | 4.9M+1.40M ³ (16ft-1in+1.83cu-yd) | | |
| | | 600 (24") | 800 (32") | 900 (36") | 600 (24") | 800 (32") | 900 (36") | 600 (24") | 800 (32") | 900 (36") | 600 (24") | 800 (32") | 900 (36") |
| SK430III | 300 (4270) | 1 | 5 | 9 | 13 | 17 | 21 | 25 | 27 | 29 | 31 | 33 | 35 |
| | Heavy lift 335 (4760) | 2 | 6 | 10 | 14 | 18 | 22 | — | — | — | — | — | — |
| SK430lcIII | 300 (3270) | 3 | 7 | 11 | 15 | 19 | 23 | 26 | 28 | 30 | 32 | 34 | 36 |
| | Heavy lift 335 (4760) | 4 | 8 | 12 | 16 | 20 | 24 | — | — | — | — | — | — |



BUY NOW

**Then Instant Download
the Complete Manual
Thank you very much!**