



B110 B115

SERVICE PARTS CATALOGUE

CATALOGO PARTI DI RICAMBIO

CATALOGUE DES PIECES DETACHEES

ERSATZTEILKATALOG

CATÁLOGO DE PIEZAS DE REPUESTO

CATÁLOGO DE PEÇAS SOBRESSALENTES

RESERVEDELSKATALOG

ONDERDELENLIJST

ENGINE

MOTORE

MOTEUR

MOTOR

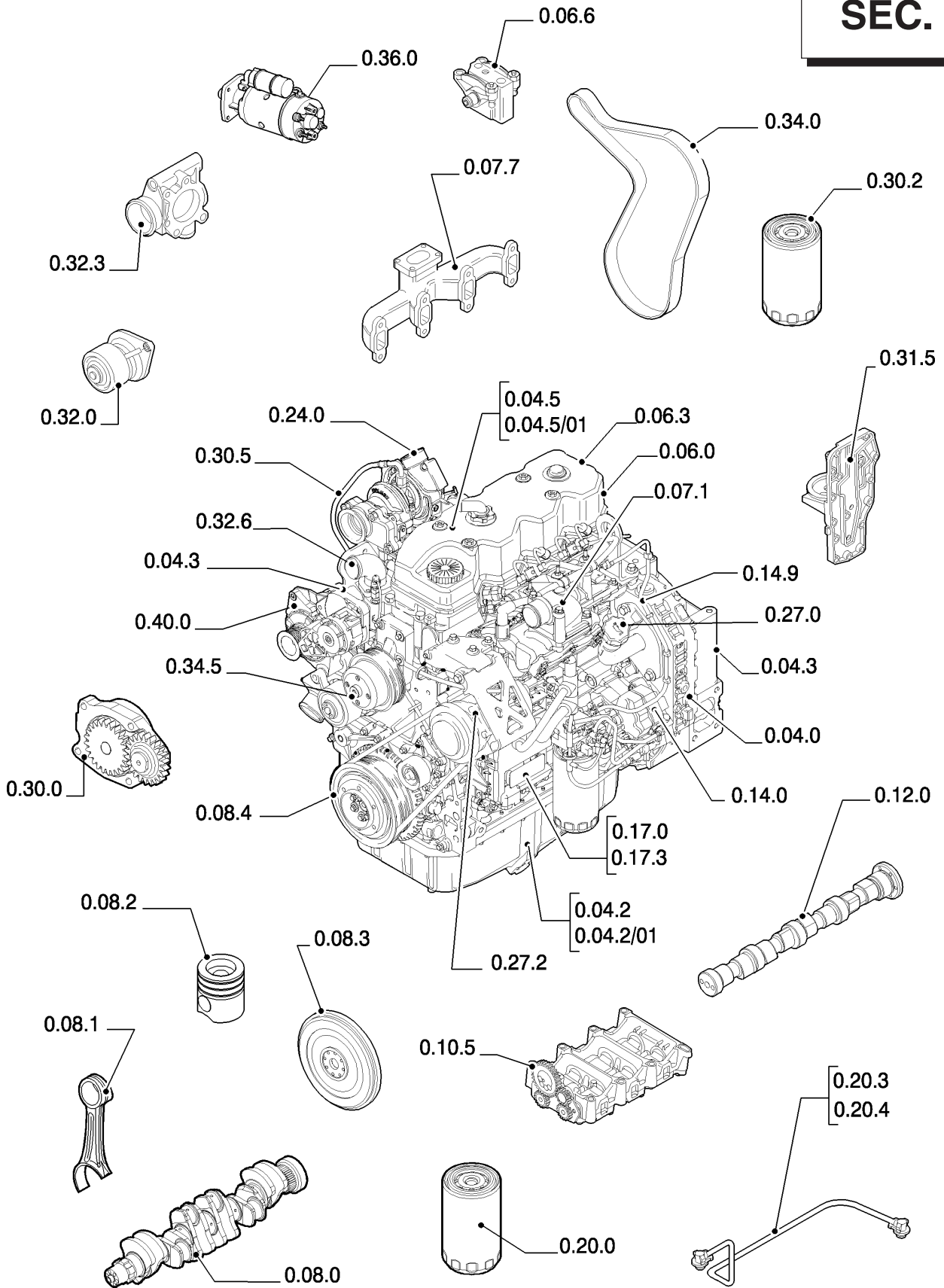
MOTOR

MOTOR

MOTOR

MOTOR

SEC. 1

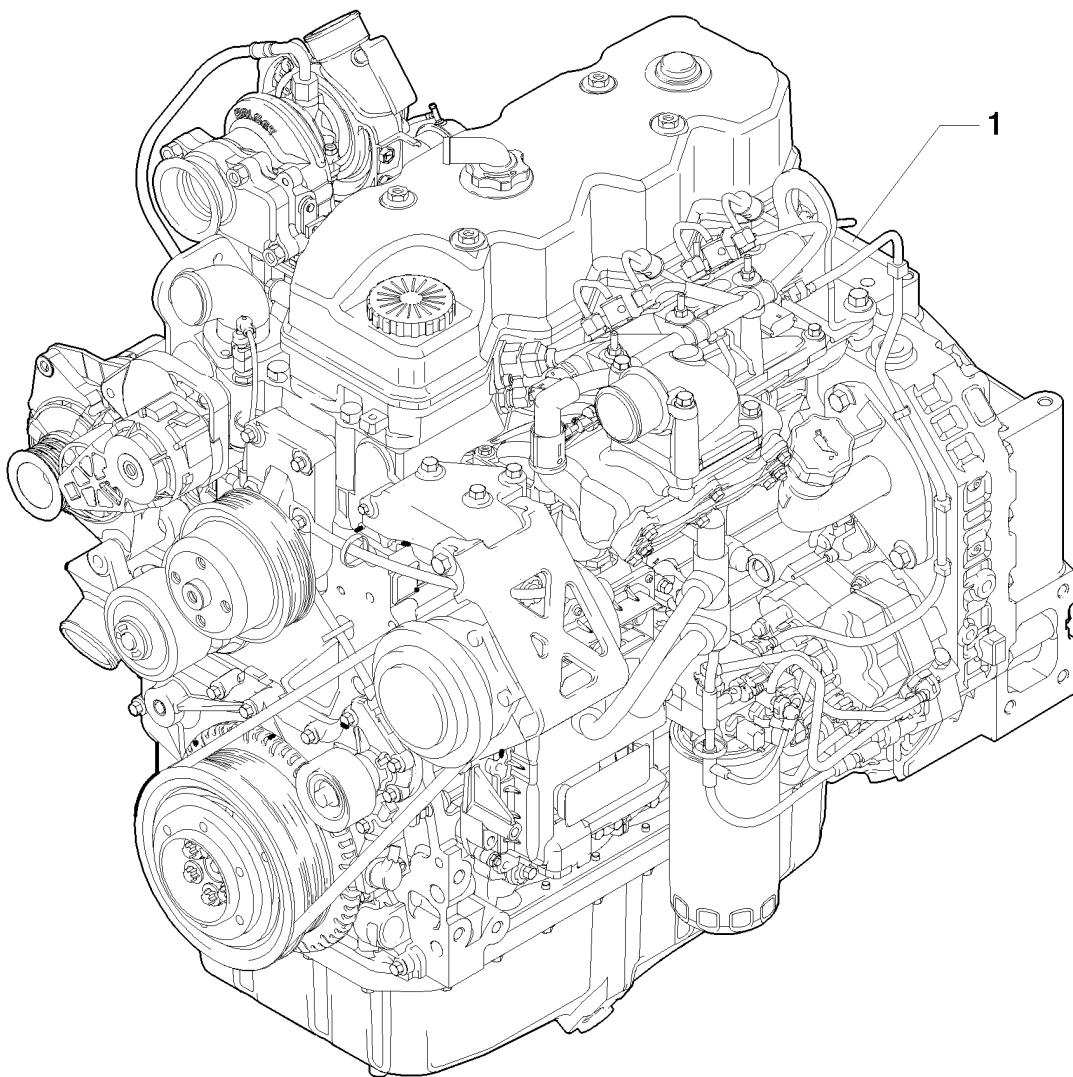
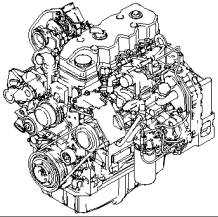


0.02.1

p1

11/06

ENGINE
MOTORE
MOTEUR
MOTOR



MOTOR
MOTOR
MOTOR
MOTOR

R	N	P.N.	MOD	Q	Description Denominacion	Descrizione Denominação	Description Beskrivelse	Bezeichnung Beschrijving	L.C.
1		87399929		1	ENGINE, B110 MOTOR	MOTORE MOTOR	MOTEUR MOTOR	MOTOR MOTOR	130M
1		87399930		1	ENGINE, B115 MOTOR	MOTORE MOTOR	MOTEUR MOTOR	MOTOR MOTOR	130M

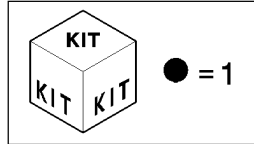
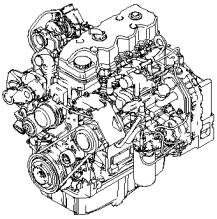
B110 TIER 3
B115 TIER 3

0.04.0

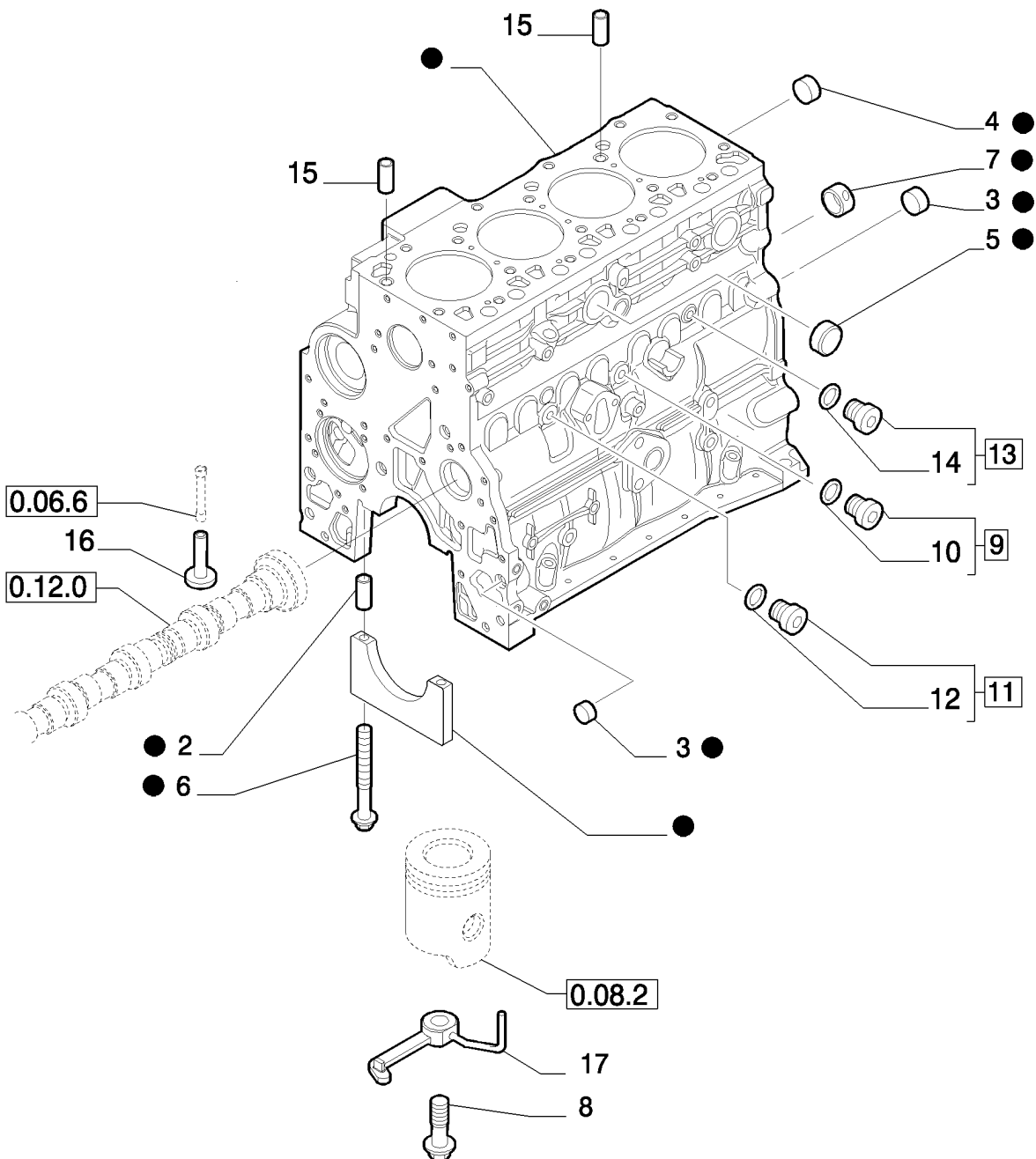
p1

12/06

CRANKCASE
BASAMENTO MOTORE
BLOC CYLINDRE
KURBELGEHAUSE



1



BLOQUE CILINDROS
BASE MOTOR
MOTORBLOK
MOTORBLOK

R	N	P.N.	MOD	Q	Description Denominacion	Descrizione Denominação	Description Beskrivelse	Bezeichnung Beschrijving	L.C.
1		2830082		1	CYLINDER BLOCK, - ASSY BLOQUE DE CILINDROS	ASSYBASAMENTO MOTORE BLOCO DE MOTOR	BLOC MOTEUR KRUMTAPHUS	KURBELGEHAEUSE MOTORBLOK	020B
2		4899026		10	DOWEL PITON	GRANO GUIA	PION DYVEL	ZENTRIERBOLZEN STEL PEN	090G
3		4895039		3	PLUG TAPÓN	TAPPO BUJAO	BOUCHON PROP	STOPFEN PLUG	050T
4		4895038		4	PLUG TAPÓN	TAPPO BUJAO	BOUCHON PROP	STOPFEN PLUG	050T
5		4895228		2	PLUG TAPÓN	TAPPO BUJAO	BOUCHON PROP	STOPFEN PLUG	050T
6		4891353		10	SCREW, Flg Hd, M12 x 1.5 x 120	VITE	VIS	SCHRAUBE	040V
7		4895040		1	TORNILLO BUSHING	PARAFUSO BOCCOLA	SKRUE BAGUE	SCHROEF BUECHSE	095B
8		4894218		4	CASQUILLO SCREW TORNILLO	CASQUILHO VITE PARAFUSO	BOESNING VIS SKRUE	LAGERBUS SCHRAUBE SCHROEF	040V
9		4895605		1	PLUG, M14X1.5 - ASSY TAPÓN	TAPPO BUJAO	BOUCHON PROP	STOPFEN PLUG	050T
10		4899115		1	O-RING JUNTA HERMETICA	ANELLO TOROIDALE O-RING	JOINT THORIQUE O-RING	O-RING O-RING	055A
11		4899009		1	PLUG, M10X1.5 - ASSY TAPÓN	TAPPO BUJAO	BOUCHON PROP	STOPFEN PLUG	050T
12		4899072		1	O-RING JUNTA HERMETICA	ANELLO TOROIDALE O-RING	JOINT THORIQUE O-RING	O-RING O-RING	055A
13		4895392		1	PLUG, M18X1.5 - ASSY TAPÓN	TAPPO BUJAO	BOUCHON PROP	STOPFEN PLUG	050T
14		4895393		1	O-RING JUNTA HERMETICA	ANELLO TOROIDALE O-RING	JOINT THORIQUE O-RING	O-RING O-RING	055A
15		4895049		2	DOWEL PITON	GRANO GUIA	PION DYVEL	ZENTRIERBOLZEN STEL PEN	090G
16		4899803		8	TAPPET EMPUJADOR	PUNTERIA IMPULSOR	POUSSOIR VENTILLOEFTER	STÖSSELEINSTELLSCHEIBE LAGER, ROL	240P
17		504047260		4	NOZZLE, LUB. OIL JET TOBERA	UGELLO PULVERIZADOR	GICLEUR DYSE	DUESE VERSTUIVER	020U

B110 TIER 3
B115 TIER 3

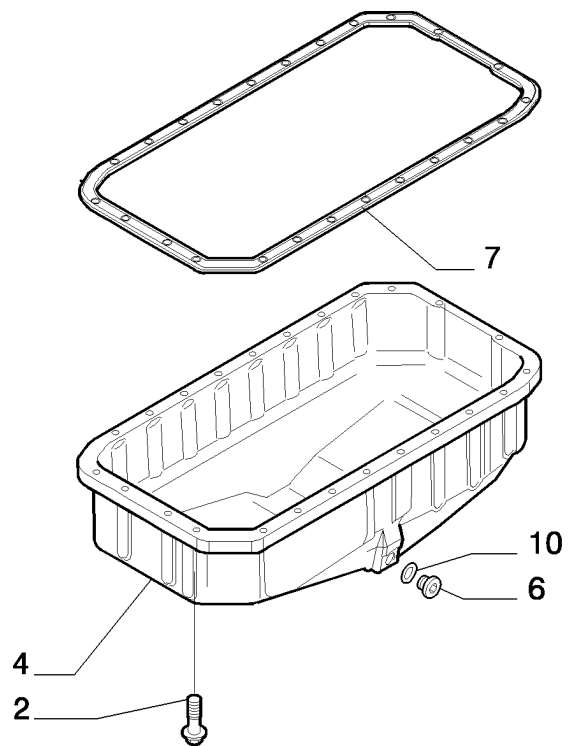
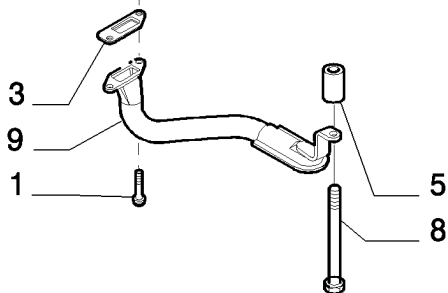
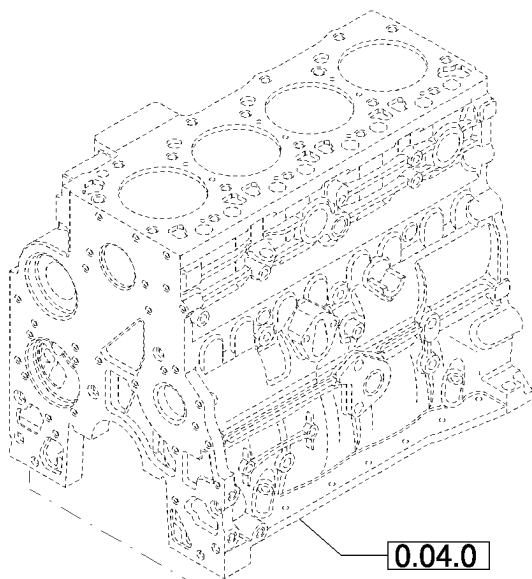
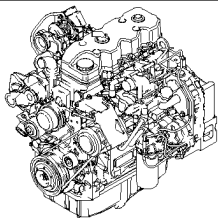
0.04.2

p1

02/07

ENGINE OIL SUMP
COPPA OLIO MOTORE
CARTER D'HUILE
MOTORÖLWANNE

1



CARTER DE ACEITE
CÁRTER ÓLEO MOTOR
BUNDKAR
MOTOROLIECARTER

R	N	P.N.	MOD	Q	Description Denominacion	Descrizione Denominação	Description Beskrivelse	Bezeichnung Beschrijving	L.C.
1		16586324		2	SCREW, 8X20 TORNILLO	VITE PARAFUSO	VIS SKRUE	SCHRAUBE SCHROEF	040V
2		4899091		22	SCREW, Hex Flg, M8 x 1.25 x 40	VITE	VIS	SCHRAUBE	040V
					TORNILLO	PARAFUSO	SKRUE	SCHROEF	
2		4895489		2	SCREW, M8X1.25X110	VITE	VIS	SCHRAUBE	040V
					TORNILLO	PARAFUSO	SKRUE	SCHROEF	
3		4898301		1	GASKET, - ASSY JUNTA HERMETICA	GUARNIZIONE JUNTA	JOINT PAKNING	DICHTUNG, FLACH DICHTINGSSTUK	123G
4		504043550		1	PAN, ENGINE OIL CARTER DE ACEITE	COPPA OLIO CARTER DE OLEO	CARTER D'HUILE BUNDKAR	MOTORÖLWANNE OLIECARTER	274C
5		504062812		1	SPACER SEPARADOR	DISTANZIALE ESPACADOR	ENTRETOISE AFSTANDSSTYKKE	DISTANZSTÜCK AFSTANDSRING	075D
6		2856086		1	PLUG, M22X1.5 TAPÓN	TAPPO BUJAO	BOUCHON PROP	STOPFEN PLUG	050T
7		504069777		1	GASKET JUNTA HERMETICA	GUARNIZIONE JUNTA	JOINT PAKNING	DICHTUNG, FLACH DICHTINGSSTUK	123G
8		4895538		1	SCREW TORNILLO	VITE PARAFUSO	VIS SKRUE	SCHRAUBE SCHROEF	040V
9		504042165		1	STRAINER, ELEMENT TAMIZ DE ALCACHOFA	ELEMENTO FILTRANTE TAMIZ DE ALCACHOFA	TAMIS DE CRÉPINE ELEMENTSI	SIEBEINSATZ STRAINER, ELEMENT	8600
10		17282280		1	GASKET JUNTA HERMETICA	GUARNIZIONE JUNTA	JOINT PAKNING	DICHTUNG, FLACH DICHTINGSSTUK	123G

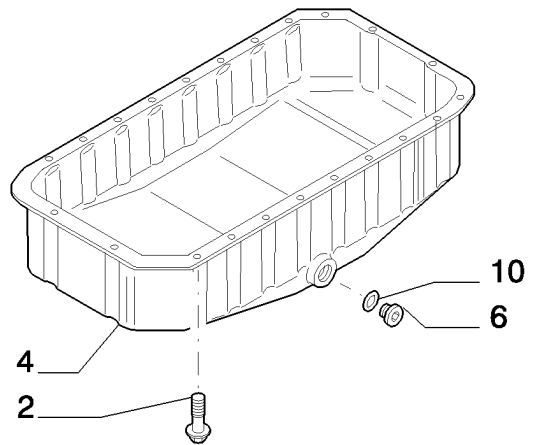
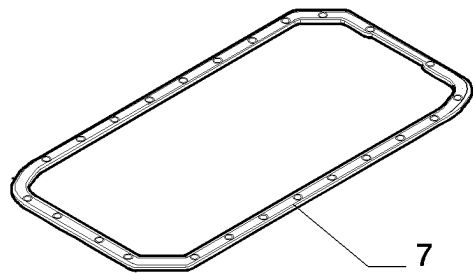
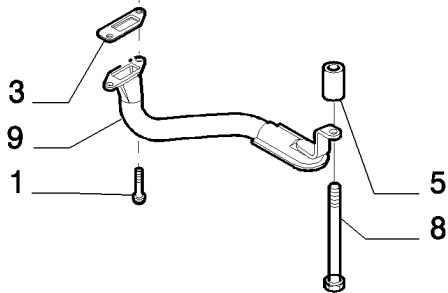
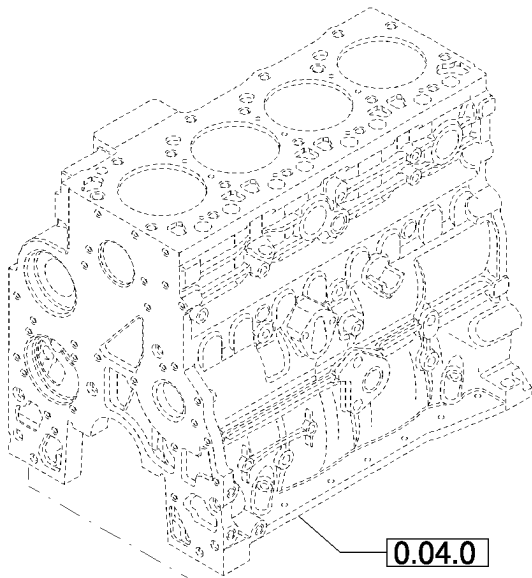
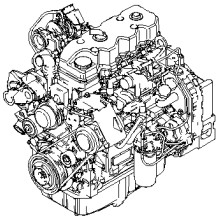
B110 TIER 3

0.04.2/01

p1

02/07

ENGINE OIL SUMP
COPPA OLIO MOTORE
CARTER D'HUILE
MOTORÖLWANNE



CARTER DE ACEITE
CÁRTER ÓLEO MOTOR
BUNDKAR
MOTOROLIECARTER

R	N	P.N.	MOD	Q	Description Denominacion	Descrizione Denominação	Description Beskrivelse	Bezeichnung Beschrijving	L.C.
1		16586324		2	SCREW, 8X20 TORNILLO	VITE PARAFUSO	VIS SKRUE	SCHRAUBE SCHROEF	040V
2		4899091		22	SCREW, Hex Flg, M8 x 1.25 x 40	VITE	VIS	SCHRAUBE	040V
					TORNILLO	PARAFUSO	SKRUE	SCHROEF	
2		4895489		2	SCREW, M8X1.25X110	VITE	VIS	SCHRAUBE	040V
					TORNILLO	PARAFUSO	SKRUE	SCHROEF	
3		4898301		1	GASKET, - ASSY JUNTA HERMETICA	GUARNIZIONE JUNTA	JOINT PAKNING	DICHTUNG, FLACH DICHTINGSSTUK	123G
4		504051886		1	PAN, ENGINE OIL CARTER DE ACEITE	COPPA OLIO CARTER DE OLEO	CARTER D'HUILE BUNDKAR	MOTORÖLWANNE OLIECARTER	274C
5		504062812		1	SPACER SEPARADOR	DISTANZIALE ESPACADOR	ENTRETOISE AFSTANDSSTYKKE	DISTANZSTÜCK AFSTANDSRING	075D
6		2856086		1	PLUG, M22X1.5 TAPÓN	TAPPO BUJAO	BOUCHON PROP	STOPFEN PLUG	050T
7		504069777		1	GASKET JUNTA HERMETICA	GUARNIZIONE JUNTA	JOINT PAKNING	DICHTUNG, FLACH DICHTINGSSTUK	123G
8		4895538		1	SCREW TORNILLO	VITE PARAFUSO	VIS SKRUE	SCHRAUBE SCHROEF	040V
9		504051893		1	STRAINER, ELEMENT TAMIZ DE ALCACHOFA	ELEMENTO FILTRANTE TAMIZ DE ALCACHOFA	TAMIS DE CRÉPINE ELEMENTSI	SIEBEINSATZ STRAINER, ELEMENT	8600
10		17282280		1	GASKET JUNTA HERMETICA	GUARNIZIONE JUNTA	JOINT PAKNING	DICHTUNG, FLACH DICHTINGSSTUK	123G

B115 TIER 3

BUY NOW

**Then Instant Download
the Complete Manual
Thank you very much!**