

PARTS CATALOG

Product Line

Model E16

Model E18

**CATALOGO PARTI
DI RICAMBIO**

**CATALOGUE DES PIECES
DETACHEES**

ERSATZTEILKATALOG

**CATÁLOGO DES PIEZAS
DE REPUESTO**

**CATÁLOGO DE PEÇAS
SOBRESSALENTES**

ONDERDELENLIJST

RESERVEDELSKATALOG

CATALOGUE n. 604.04.261.02
3rd Edition 03 - 2007

 **NEW HOLLAND**

TABLE OF CONTENTS

0 - VERSION	00	IDENTIFICATION AND VERSION LIST
0.000	00	MAINTENANCE PARTS
0.000	01	ENGINE INSTALLATIONS
0.001	01	AIR CLEANER
0.001	02	AIR CLEANER
0.002	01	MUFFLER
0.003	01	RADIATOR
0.003	02	RADIATOR
0.003	03	RADIATOR - COMPONENTS
0.004	01	ENGINE ACCELERATOR CONTROLS
0.004	02	ENGINE ACCELERATOR CONTROLS
0.021	01	ENGINE - DIESEL
0.021	02	GASKET SET
0.040	01	CRANKCASE
0.042	01	FLYWHEEL HOUSING & OIL SUMP
0.043	01	CRANKCASE COVERS
0.060	01	CYLINDER HEAD & BONNET
0.071	01	INTAKE MANIFOLD
0.077	01	EXHAUST MANIFOLD
0.080	01	CRANKSHAFT & DRIVING GEAR
0.081	01	CRANKSHAFT & PISTON
0.140	01	FUEL INJECTION PUMP
0.140	02	INJECTION PUMP - CONTROL
0.149	01	INJECTION EQUIPMENT - PIPING
0.203	01	FUEL LINE
0.305	01	ENGINE OIL
0.323	01	ENGINE COOLING SYSTEM
0.360	01	STARTER MOTOR
0.400	01	CURRENT GENERATOR
1.000	01	UPPER FRAME
1.000	02	UPPER FRAME
1.000	03	UPPER FRAME - COUNTERWEIGHT
1.000	04	UPPER FRAME - COUNTERWEIGHT INSTALLATIONS
1.010	01	FUEL TANK
1.010	01A	FUEL TANK
1.010	02	FUEL TANK
1.010	03	FUEL LINES
1.020	01	OIL TANK
1.020	02	OIL TANK, INSTALLATIONS
1.030	01	POWER TAKE OFF ASSY
1.030	02	HYDRAULIC PUMP - COMPONENTS
1.030	03	HYDRAULIC PUMP - COMPONENTS
1.030	04	HYDRAULIC PUMP - COMPONENTS
1.035	01	CYLINDER ASSY, SWING
1.035	02	CYLINDER ASSY, SWING
1.035	03	CYLINDER SWING
1.035	04	LUBRICATION LINES
1.040	01	SLEW MOTOR
1.040	02	SLEW MOTOR - COMPONENTS
1.040	02A	SLEW MOTOR - COMPONENTS
1.040	03	SWING REDUCTION UNIT
1.040	03A	SWING REDUCTION UNIT
1.040	04	SWING HYDRAULIC MOTOR
1.040	04A	SWING HYDRAULIC MOTOR
1.050	01	CONTROL VALVE

TABLE OF CONTENTS

1.050	02	HYDRAULIC CONTROL VALVE - COMPONENTS
1.050	02A	HYDRAULIC CONTROL VALVE - COMPONENTS
1.050	02B	HYDRAULIC CONTROL VALVE - COMPONENTS
1.050	03	HYDRAULIC CONTROL VALVE - COMPONENTS
1.050	04	HYDRAULIC CONTROL VALVE - COMPONENTS - RELIEF VALVE
1.050	05	HYDRAULIC CONTROL VALVE - COMPONENTS
1.050	06	HYDRAULIC CONTROL VALVE - COMPONENTS
1.050	07	HYDRAULIC CONTROL VALVE - COMPONENTS
1.050	08	HYDRAULIC CONTROL VALVE - COMPONENTS
1.050	09	HYDRAULIC CONTROL VALVE - COMPONENTS
1.050	10	HYDRAULIC CONTROL VALVE - COMPONENTS
1.050	11	HYDRAULIC CONTROL VALVE - COMPONENTS
1.050	12	HYDRAULIC CONTROL VALVE - COMPONENTS
1.050	13	HYDRAULIC CONTROL VALVE - COMPONENTS
1.050	13A	HYDRAULIC CONTROL VALVE - COMPONENTS
1.050	14	HYDRAULIC CONTROL VALVE - COMPONENTS
1.050	15	HYDRAULIC CONTROL VALVE - COMPONENTS
1.050	16	CONTROL VALVE PIPING
1.050	17	CONTROL VALVE PIPING
1.050	18	CONTROL VALVE PIPING
1.050	19	CONTROL VALVE PIPING
1.050	20	CONTROL VALVE PIPING
1.050	21	CONTROL VALVE PIPING N & B
1.050	22	PUMP HYD.LINES
1.050	23	RETURN PIPING
1.050	24	CHECK VALVE
1.070	01	CONTROLS OPERATOR
1.070	01A	CONTROLS OPERATOR
1.070	02	CONTROLS OPERATOR
1.070	02A	CONTROLS OPERATOR
1.070	03	CONTROL OPERATOR LH
1.070	03A	CONTROL OPERATOR LH
1.070	04	CONTROLS
1.070	05	CONTROLS
1.070	05A	CONTROLS LH
1.070	06	CONTROLS
1.070	06A	CONTROLS RH
1.070	07	CONTROLS
1.070	08	CONTROLS
1.070	09	CONTROLS
1.070	10	CONTROLS
1.070	11	CONTROLS
1.070	12	CONTROLS
1.070	13	CONTROLS
1.070	14	CONTROLS
1.070	15	MANIPULATOR VALVE ASSY
1.070	16	PILOT VALVE TRAVEL ASSY
1.080	01	CONTROL LINES, VALVE
1.080	02	CONTROL LINES, VALVE
1.080	02A	CONTROL LINES, VALVE
1.080	03	PILOT VALVE PIPING
1.080	04	PILOT VALVE PIPING
1.080	04A	PILOT VALVE PIPING
1.080	05	PILOT LINES - TRAVEL
1.080	06	PILOT LINES - TRAVEL

TABLE OF CONTENTS

1.080	07	SOLENOID VALVE
1.220	01	ELECTRIC SYSTEM - PANEL INSTRUMENTS
1.220	02	ELECTRIC SYSTEM - PANEL INSTRUMENT
1.220	03	ELECTRIC SYSTEM
1.220	04	ELECTRIC SYSTEM - RELÉ BOX
1.220	05	ELECTRIC SYSTEM - RELÉ BOX
1.220	06	ELECTRIC SYSTEM - BATTERY
1.220	07	ELECTRIC SYSTEM - ENGINE HARNESS
1.220	08	ELECTRIC SYSTEM - HARNESS UPPER FRAME
1.220	09	ELECTRIC SYSTEM - HARNESS BOOM
1.220	10	ELECTRIC SYSTEM - LIGHT ASSY
1.250	01	CANOPY
1.250	02	CANOPY
1.250	03	CAB
1.250	04	CAB - COMPONENTS
1.250	05	CAB - COMPONENTS
1.250	06	CAB - COMPONENTS
1.250	07	CAB - COMPONENTS
1.250	08	CAB - COMPONENTS
1.250	09	OPERATOR'S SEAT - DELUXE
1.250	10	OPERATOR'S SEAT DELUXE - COMPONENTS
1.250	11	OPERATOR'S SEAT - DELUXE - COMPONENTS
1.250	12	SEA INSTAL - COBO
1.250	13	CAB INSTAL
1.270	01	FLOOR-CANOPY
1.270	02	FLOOR-CAB
1.300	01	HOODS
1.300	02	HOODS
1.300	03	HOODS
1.300	04	HOODS
1.300	05	HOODS
1.300	06	HOODS
1.300	06A	HOODS
1.300	06B	HOODS
1.300	07	HOODS
1.300	08	HOODS
1.300	09	HOODS
1.300	10	HOODS
2.000	01	MONOBLOC BOOM
2.000	02	MONOBLOC BOOM
2.000	03	MONOBLOC BOOM
2.003	01	DIPPER STICK
2.003	02	DIPPER STICK
2.006	01	SWING BRACKET SUPPORT
2.006	02	SWING BRACKET SUPPORT
2.030	01	BOOM PIPING
2.030	02	BOOM PIPING
2.030	03	BOOM CYLINDER
2.030	04	HYDRAULIC LINES BOOM CYLINDER
2.030	05	ARM CYLINDER
2.030	06	HYDRAULIC LINES ARM CYLINDER
2.030	07	CYLINDER BUCKET
2.030	08	BOOM CYLINDER - COMPONENTS
2.030	09	ARM CYLINDER - COMPONENTS
2.030	10	BUCKET CYLINDER - COMPONENTS

TABLE OF CONTENTS

2.050	01	BUCKET INSTALLATION
3.000	01	LOWER FRAME
3.000	02	LOWER FRAME
3.000	03	LOWER FRAME
3.010	01	TRAVEL MOTOR
3.010	02	TRAVEL MOTOR - COMPONENTS
3.010	03	TRAVEL MOTOR - COMPONENTS
3.010	04	TRAVEL MOTOR - COMPONENTS
3.010	05	TRAVEL MOTOR HYDRAULIC LINES
3.020	01	IDLER ADJUSTER
3.020	02	IDLER ADJUSTER - IDLER SHELL
3.020	03	IDLER ADJUSTER - IDLER REGULATION
3.040	01	TRACK ROLLER
3.040	02	TRACK ROLLER - COMPONENTS
3.050	01	DOZER
3.050	02	DOZER
3.050	03	DOZER
3.050	04	DOZER INSTAL
3.050	05	DOZER GROUP
3.051	01	CYLINDER DOZER HYD.LINES
3.051	02	DOZER CILINDER
3.051	03	CILINDER DOZER - COMPONENTS
3.060	01	JOINT SWIVEL
3.060	02	JOINT SWIVEL - COMPONENTS
3.060	03	JOINT SWIVEL
3.060	04	JOINT SWIVEL - COMPONENTS
3.060	05	SWIVEL JOINT HYD.LINES
3.060	06	SWIVEL JOINT HYD.LINES
3.060	07	SWIVEL JOINT HYD.LINES
3.060	08	SWIVEL JOINT HYD.LINES
3.070	01	TRAVEL HYD.LINES (LOWER)
3.070	02	TRAVEL HYD.LINES(LOWER)
3.080	01	CYLINDER ADJUSTABLE WIDHT - COMPONENTS
3.080	02	ADJUSTABLE CYLINDER HYD.LINES
4.200	01	TOOLS KIT
4.520	01	DECALS
4.520	02	DECALS
4.520	03	DECALS
4.520	04	DECALS - CAB
4.520	05	DECALS - CANOPY
4.520	06	DECALS - CANOPY
4.520	07	DECALS - CANOPY
4.520	08	DECALS - CAB
4.520	09	DECALS - CAB
5.0001	01	RUBBER CRAWLER ASSY - 955200020
5.0005	01	IRON CRAWLER ASSY - 955300010
5.0022	01	ARM (1,02M)
5.0022	02	ARM HYD.LINES (1,02M)
5.0022	03	ARM HYD.LINES (1,02M)
5.0038	01	ARM (1,22M)
5.0038	02	ARM HYD.LINES (1,22M)
5.0038	03	ARM HYD.LINES (1,22M) -
5.0038	03A	ARM HYD.LINES (1,22M) -
5.0040	01	CAB HEATING - 747450010
5.0040	02	CAB HEATING - 747450010

TABLE OF CONTENTS

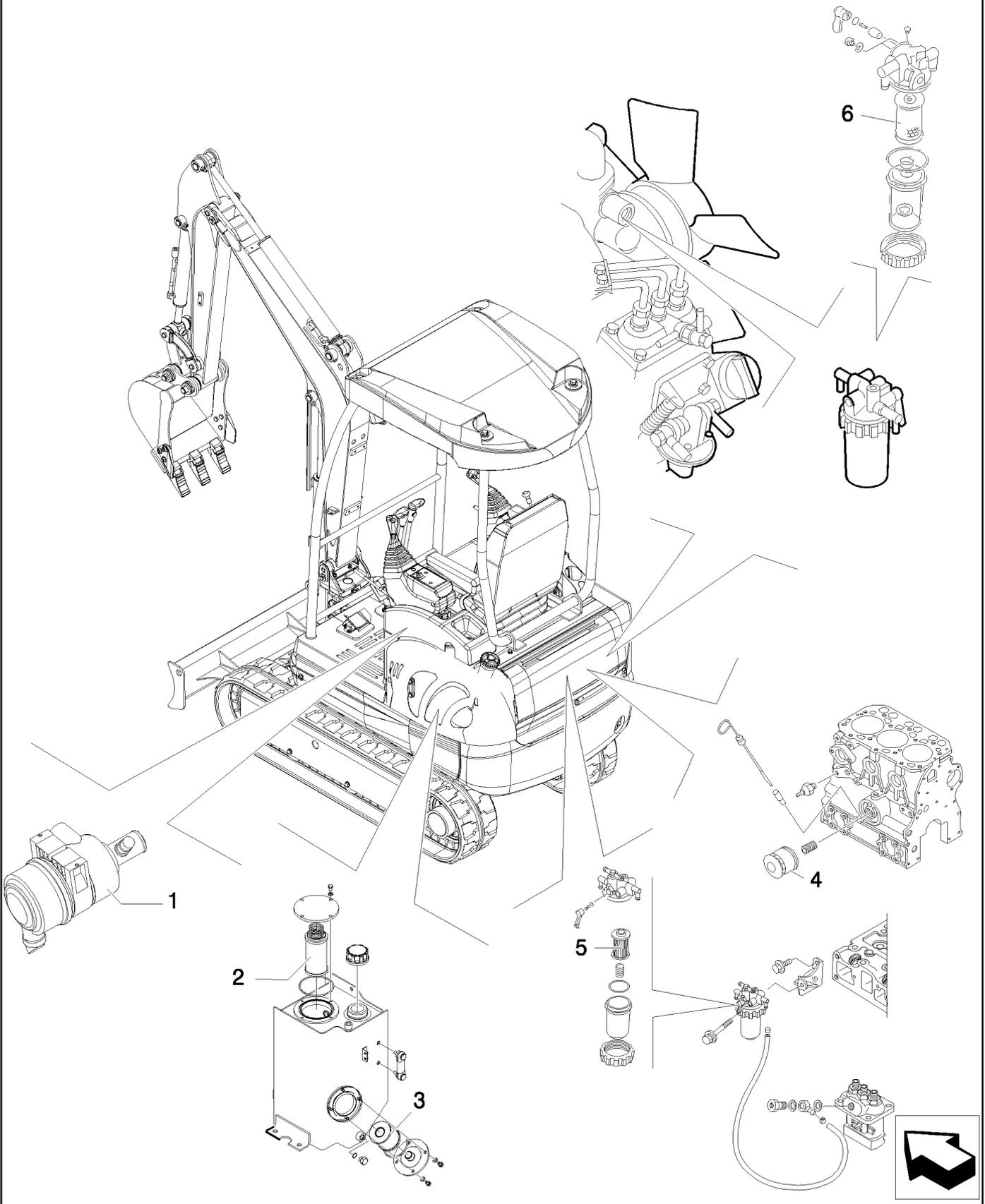
5.0084	01	FALL PREVENTING SAFETY VALVE OF BOOM AND ARM - 747411010
5.0084	02	FALL PREVENTING SAFETY VALVE OF BOOM AND ARM - 747411010
5.0084	03	FALL PREVENTING SAFETY VALVE OF BOOM AND ARM - 747411010
5.0084	04	FALL PREVENTING SAFETY VALVE OF BOOM AND ARM - 747411010
5.0084	05	FALL PREVENTING SAFETY VALVE OF BOOM AND ARM - 747411010
5.0084	06	FALL PREVENTING SOLENOID VALVE OF BOOM AND ARM - 747411010
5.0084	07	FALL PREVENTING SOLENOID VALVE OF BOOM AND ARM - 747411010
5.0100	01	BUCKET - (L=250MM)
5.0101	01	BUCKET - (L=600MM)
5.0102	01	BUCKET - (L=700MM)
5.0105	01	BUCKET - (L=500MM) - 747624010
5.0537	01	BOOM FALL PREVENTING SOLENOID - 747410010
5.0537	02	BOOM FALL PREVENTING SAFETY - 747410010
5.0537	03	BOOM FALL PREVENTING SOLENOID - 747410010
5.0580	01	RAIN PROTECTION
5.0749	01	ROTATING BEACON - 747456020
5.0749	02	ROTATING BEACON - 747456010
5.0820	01	DITCH CLEANING BUCKET - (L=800MM)
5.0821	01	DITCH CLEANING BUCKET - (L=1000MM)
5.9121	01	BUCKET - (L=350MM) - 747621010
5.9122	01	BUCKET - (L=450MM) - 747623010
5.9125	01	BUCKET - (L=300MM) - 747620010
5.9126	01	BUCKET - (L=400MM) - 747622010

SECTION INDEX

General

0 - VERSION	00	IDENTIFICATION AND VERSION LIST
0.000	00	MAINTENANCE PARTS
0.000	01	ENGINE INSTALLATIONS
0.001	01	AIR CLEANER
0.001	02	AIR CLEANER
0.002	01	MUFFLER
0.003	01	RADIATOR
0.003	02	RADIATOR
0.003	03	RADIATOR - COMPONENTS
0.004	01	ENGINE ACCELERATOR CONTROLS
0.004	02	ENGINE ACCELERATOR CONTROLS
0.021	01	ENGINE - DIESEL
0.021	02	GASKET SET
0.040	01	CRANKCASE
0.042	01	FLYWHEEL HOUSING & OIL SUMP
0.043	01	CRANKCASE COVERS
0.060	01	CYLINDER HEAD & BONNET
0.071	01	INTAKE MANIFOLD
0.077	01	EXHAUST MANIFOLD
0.080	01	CRANKSHAFT & DRIVING GEAR
0.081	01	CRANKSHAFT & PISTON
0.140	01	FUEL INJECTION PUMP
0.140	02	INJECTION PUMP - CONTROL
0.149	01	INJECTION EQUIPMENT - PIPING
0.203	01	FUEL LINE
0.305	01	ENGINE OIL
0.323	01	ENGINE COOLING SYSTEM
0.360	01	STARTER MOTOR
0.400	01	CURRENT GENERATOR

MAINTENANCE PARTS
PARTICOLARI PER LA MANUTENZIONE
ERSATZTEILEN FUER DER WARTUNG
PIECES POUR L'ENTRETIEN



REPUESTOS POUR MANUTENCION
 MAINTENANCE PARTS
 MAINTENANCE PARTS
 MAINTENANCE PARTS

R	N	P.N.	MOD	Q	Description Denominacion	Descrizione Beskrivelse	Bezeichnung Denominação	Description Beschrijving	L.C.
1	1	72276221		1	FILTER, ELEMENT ELEMENTO DE FILTRAD	ELEMENTO DEL FILTRO FILTERELEMENT	FILTERELEMENT ELEMENTO DE FILTRO	ELÉMENT FILTRANT FILTERELEMENT	020E
2	2	72276633		1	FILTER, HYDRAULIC OIL FILTRO, ACEITE HIDRAL	FILTRO, OLIO IDRAULIC FILTER, HYDRAULIKOLII	HYDRAULIKÖLFILTER(1) FILTRO, OLEO HIDRAUL	FILTRE, HUILE HYDRAU FILTER, HYDRAULISCHE	074F
3	3	72276638		1	FILTER, HYDRAULIC OIL FILTRO, ACEITE HIDRAL	FILTRO, OLIO IDRAULIC FILTER, HYDRAULIKOLII	HYDRAULIKÖLFILTER(1) FILTRO, OLEO HIDRAUL	FILTRE, HUILE HYDRAU FILTER, HYDRAULISCHE	074F
4	4	72276226		1	FILTER, ENGINE OIL FILTRO DE ACEITE	FILTRO OLIO MOTORE OLIEFILTER	MOTORÖLFILTER FILTRO DE OLEO	FILTRE A HUILE MOTEU OLIEFILTER	067F
5	5	72276231		1	FILTER, FUEL FILTRO DE COMBUSTIBI	FILTRO COMBUSTIBILE BRAENDSTOFFILTER	KRAFTSTOFFFILTER(1) FILTRO DE COMBUSTIVI	FILTRE A COMBUSTIBLE BRANDSTOFFILTER	064F
6	6	VV17108155910		1	FILTER, COOLANT FILTRO REFRIGERANTE	LIQUIDO REFRIGERANT FILTER, KØLEMIDDEL	KÜHLMITTELFILTER(1) FILTRO REFRIGERANTE	FILTRE REFRIGERANT FILTER, KOELVLOEISTO	081F

- (1) See Page 0.001 02 Ref. 1A
 (2) See Page 1.020 01 Ref. 3
 (3) See Page 1.020 01 Ref. 7
 (4) See Page 0.305 01 Ref. 174
 (5) See Page 0.203 01 Ref. 325
 (6) See Page 0.021 01 Ref. 355

E16 E18

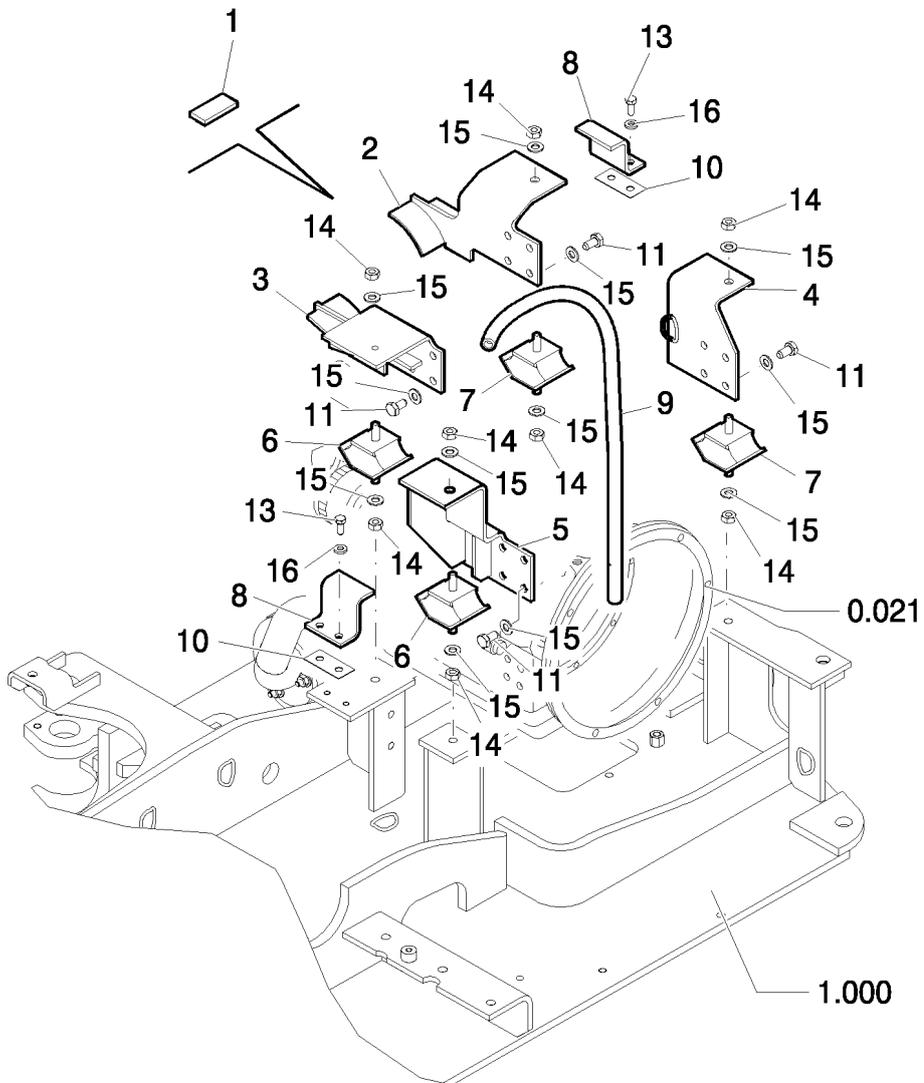
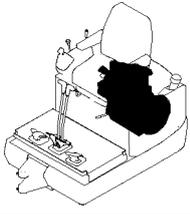
0.000

01

p1

10/06

ENGINE INSTALLATIONS
INSTALLAZIONE MOTORE
MOTORANLAGE
INSTALLATIONS DU MOTEUR



0.000

01

p1

10/06

INSTALACIÓN MOTOR
ENGINE INSTALLATIONS
ENGINE INSTALLATIONS
ENGINE INSTALLATIONS

R	N	P.N.	MOD	Q	Description Denominacion	Descrizione Beskrivelse	Bezeichnung Denominação	Description Beschrijving	L.C.
1		72271961		1	COVER TAPADERA	COPERCHIO DÆKSEL	ABDECKUNG COBERTA	COUVERCLE DEKSEL	265C
2		72274901		1	SUPPORT SOPORTE	SUPPORTO BESLAG	HALTERUNG, LAGERBO SUPORTE	SUPPORT STEUN	300S
3		72274899		1	SUPPORT SOPORTE	SUPPORTO BESLAG	HALTERUNG, LAGERBO SUPORTE	SUPPORT STEUN	300S
4		72271692		1	SUPPORT SOPORTE	SUPPORTO BESLAG	HALTERUNG, LAGERBO SUPORTE	SUPPORT STEUN	300S
5		72271695		1	SUPPORT SOPORTE	SUPPORTO BESLAG	HALTERUNG, LAGERBO SUPORTE	SUPPORT STEUN	300S
6		72271562		2	DAMPER ANTIVIBRADOR	SMORZATORE SVINGNINGSDAEMPER	DÄMPFER ANTIVIBRADOR	AMORTISSEUR VIBRATI TRILLINGSDEMPEM	164S
7		PM02P01038P1		2	MOUNTING, RUBBER TEJUELO, GOMA	SUPPORTO, DI GOMMA MONTERINGSGUMMIBØ	GUMMIHALTERUNG MONTAGEM DE BORRA	PALIER CAOUTCHOUC BEVESTIGING, RUBBER	P777
8		72271699		2	RETAINER RETENEDOR	RITEGNO HOLDER	HALTEPLATTE RETENTOR	RETENEUR HOUDER	109R
9		PM02P01048D1		1	HOSE ASSY. MANGUERA (CONJUNT	GRUPPO TUBO FLESS HOSE ASSY.	SCHLAUCH (KPLT.) MANGUEIRA CONJUNT	FLEXIBLE (ASSEMBLE) HOSE ASSY.	P457
10		72271700		3	SPACER SEPARADOR	DISTANZIALE AFSTANDSSTYKKE	DISTANZSTÜCK ESPACADOR	ENTRETOISE AFSTANDSRING	075D
11		11106034		16	SCREW, Hex, M10 x 20, 10.9, Full Thd TORNILLO	VITE SKRUE	SCHRAUBE PARAFUSO	VIS SCHROEF	040V
13		16043434		4	SCREW, Hex, M8 x 20, 10.9, Full Thd TORNILLO	VITE SKRUE	SCHRAUBE PARAFUSO	VIS SCHROEF	040V
14		11701721		8	NUT, M10, CI 10 TUERCA	DADO MOETRIK	MUTTER PORCA	ECROU MOER	010D
15		14496631		24	WASHER, M10 x 21 x 2 ARANDELA	ROSETTA PIANA FLADSKIVE	UNTERLEGSCHIEBE ANILHA	RONDELLE SLUITRING	131R
16		12654401		4	WASHER, M8 x 17 x 3 ARANDELA	ROSETTA PIANA FLADSKIVE	UNTERLEGSCHIEBE ANILHA	RONDELLE SLUITRING	131R

E16 E18

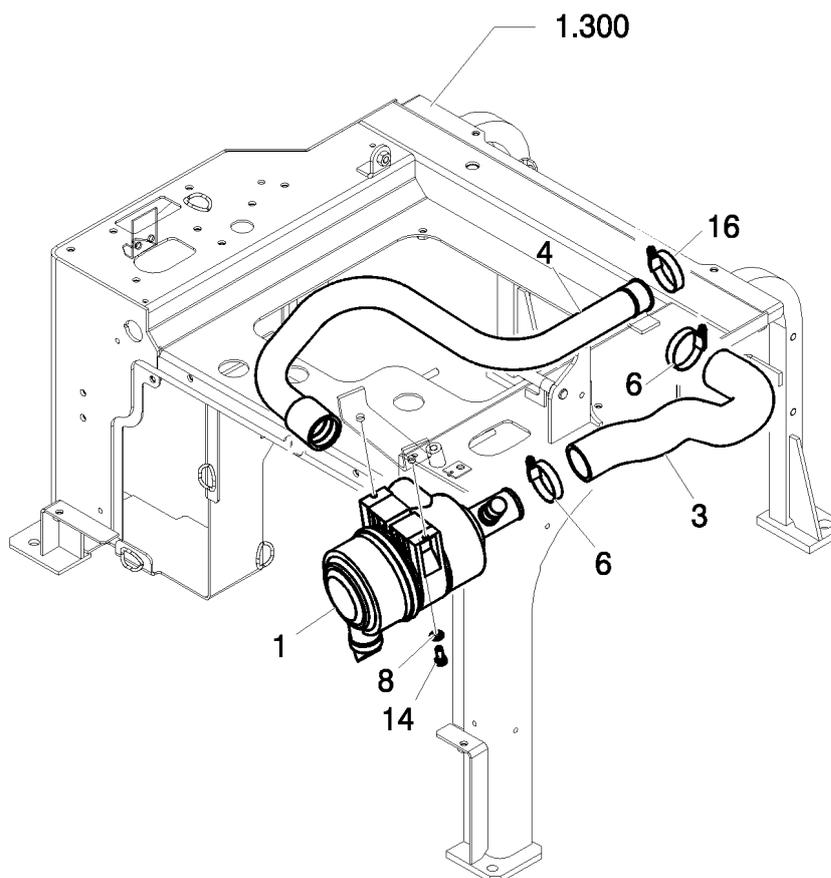
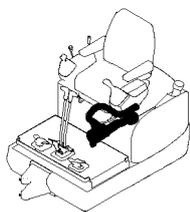
0.001

01

p1

10/06

AIR CLEANER
FILTRO ARIA
LUFTFILTER
FILTRE A AIR



FILTRO DE AIRE
AIR CLEANER
AIR CLEANER
AIR CLEANER

R	N	P.N.	MOD	Q	Description Denominacion	Descrizione Beskrivelse	Bezeichnung Denominação	Description Beschrijving	L.C.
1	1	72274050		1	AIR CLEANER DEPURADOR	DEPURATORE LUFTFILTER	LUFTFILTER DEPURADOR	FILTER A AIR LUCHTREINIGER	021D
3		72271571		1	HOSE, LARGE Manguito	TUBO FLESSIBILE,GRDE SLANGE, STOR	SCHLAUCH, GROSS MANGOTE	Durite SLANG, GROOT	Z336
4		72274983		1	HOSE, LARGE Manguito	TUBO FLESSIBILE,GRDE SLANGE, STOR	SCHLAUCH, GROSS MANGOTE	Durite SLANG, GROOT	Z336
6		154220511		2	COLLAR ABRAZADERA	FASCETTA SLANGEBAAND	SPANNSATZ COLAR	COLLIER SPANKRAAG	031F
8		14496521		2	WASHER, M8 x 17 x 1.6 ARANDELA	ROSETTA PIANA FLADSKIVE	UNTERLEGSCHIEBE ANILHA	RONDELLE SLUITRING	131R
14		16043634		4	SCREW, Hex, M8 x 25, 10.9, Full Thd, 8x20	VITE	SCHRAUBE	VIS	040V
16		14560287		2	TORNILLO STRAP, CABLE CIERRA CABLES	SKRUE CINGHIA, CABLAGGIO SELEKABEL	PARAFUSO KABELBINDER APRIETACABLES	SCHROEF SERRE-CABLE STRAP, CABLE	P716

(1) See Page 0.001 02

E16 E18

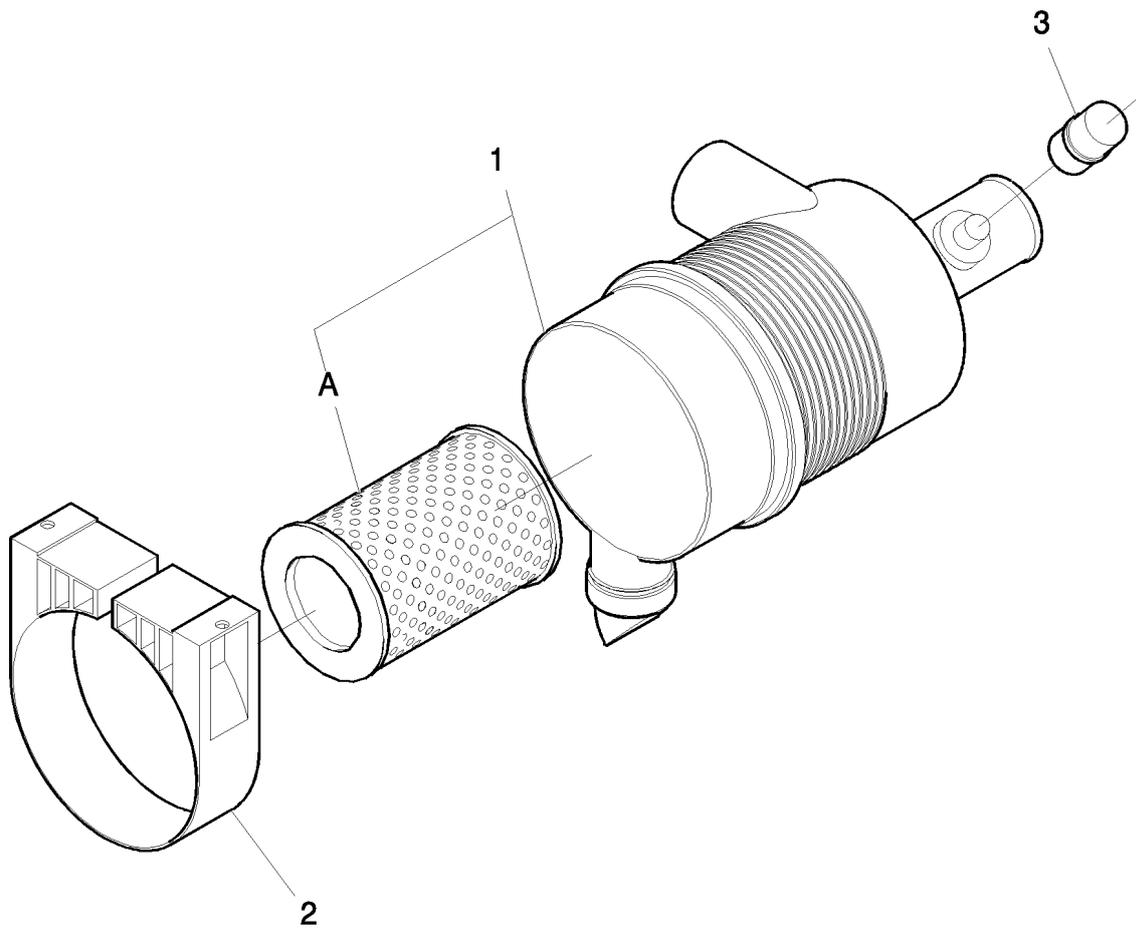
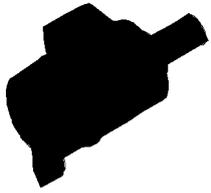
0.001

02

p1

12/05

AIR CLEANER
FILTRO ARIA
LUFTFILTER
FILTRE A AIR



0.001

02

p1

12/05

FILTRO DE AIRE
AIR CLEANER
AIR CLEANER
AIR CLEANER

R	N	P.N.	MOD	Q	Description Denominacion	Descrizione Beskrivelse	Bezeichnung Denominação	Description Beschrijving	L.C.
1		72271570		1	AIR CLEANER DEPURADOR	DEPURATORE LUFTFILTER	LUFTFILTER DEPURADOR	FILTER A AIR LUCHTREINIGER	021D
1A		72276221		1	FILTER, ELEMENT ELEMENTO DE FILTRAD	ELEMENTO DEL FILTRO FILTERELEMENT	FILTERELEMENT ELEMENTO DE FILTRO	ELÉMENT FILTRANT FILTERELEMENT	020E
2		72274043		1	COLLAR ABRAZADERA	FASCETTA SLANGBAAND	SPANNSATZ COLAR	COLLIER SPANKRAAG	031F
3		72274051		1	INDICATOR TESTIGO	SEGNALATORE INDIKATOR	ZEIGER INDICADOR	INDICATEUR AANWIJZER	087S

E16 E18

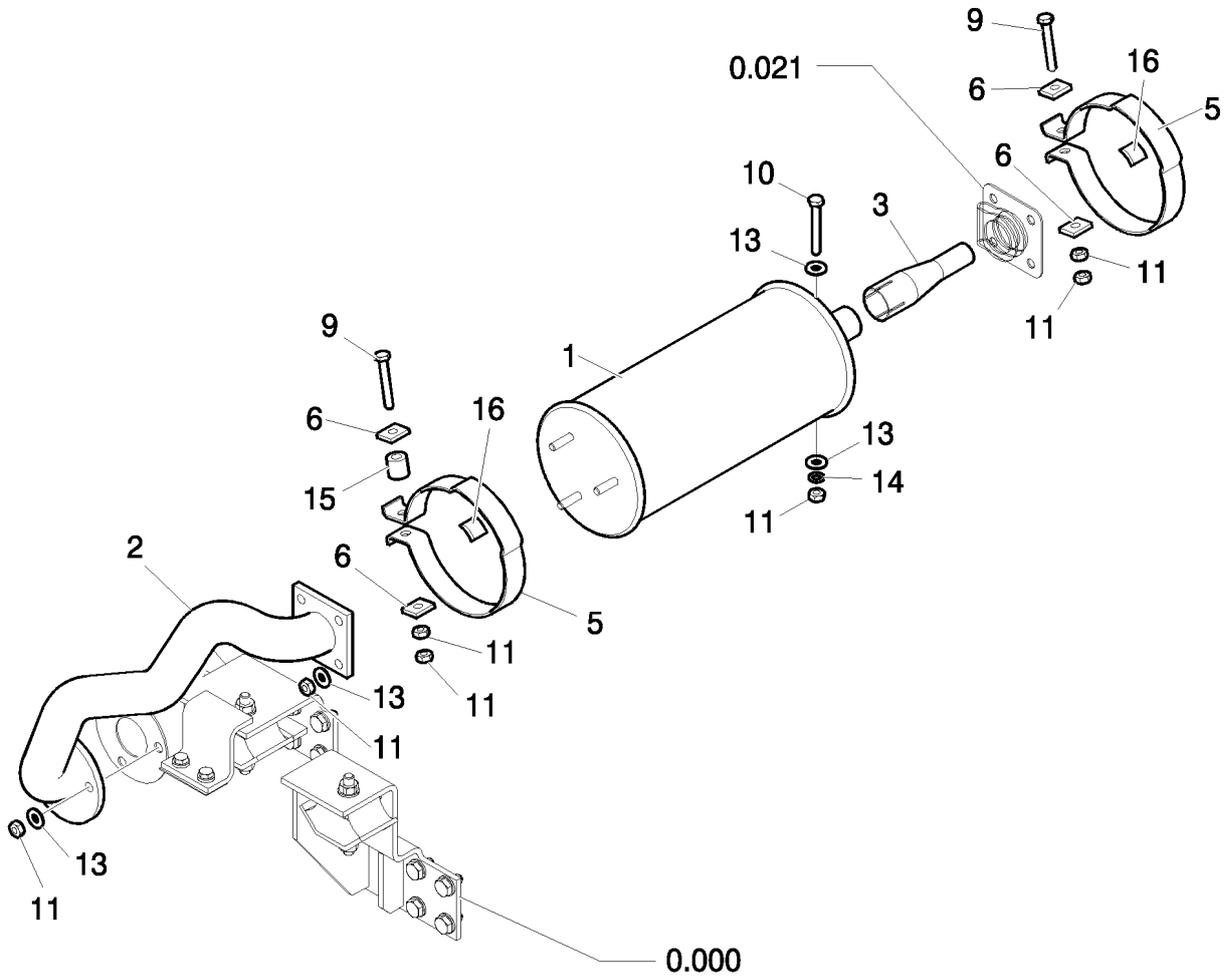
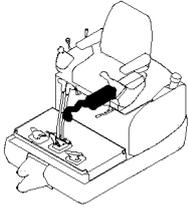
0.002

01

p1

03/06

MUFFLER
SILENZIATORE
SCHALLDAEMPFER
SILENCIEUX



SILENCIADOR
MUFFLER
MUFFLER
MUFFLER

R	N	P.N.	MOD	Q	Description Denominacion	Descrizione Beskrivelse	Bezeichnung Denominação	Description Beschrijving	L.C.
1		72271015		1	MUFFLER SILENCIADOR	SILENZIATORE LYDDAEMPER	SCHALLDÄMPFER SILENCIADOR	SILENCIEUX KNALPOT	160S
2		72273350		1	PIPE CUELLO DE CARGA	TUBO PAAFYLDNINGSSTUDS	ROHR TUBO DE ENCHIMENTO	TUYAU OPVULPIJP	200T
3		72273355		1	PIPE CUELLO DE CARGA	TUBO PAAFYLDNINGSSTUDS	ROHR TUBO DE ENCHIMENTO	TUYAU OPVULPIJP	200T
5		72276723		2	CLAMP BORNE	MORSETTO SPÆNDEBÅND	KLEMME BORNE	BRIDE KLEM	120M
6		72271026		4	SPACER SEPARADOR	DISTANZIALE AFSTANDSSTYKKE	DISTANZSTÜCK ESPACADOR	ENTRETOISE AFSTANDSRING	075D
9		15213334		2	SCREW, 8x35 TORNILLO	VITE SKRUE	SCHRAUBE PARAFUSO	VIS SCHROEF	040V
10		16044434		1	SCREW, 8x60 TORNILLO	VITE SKRUE	SCHRAUBE PARAFUSO	VIS SCHROEF	040V
11		16100811		12	NUT, M8, CI 8 TUERCA	DADO MOETRIK	MUTTER PORCA	ECROU MOER	010D
13		12646701		9	WASHER, M8 x 20 x 2 ARANDELA	ROSETTA PIANA FLADSKIVE	UNTERLEGSCHIEBE ANILHA	RONDELLE SLUITRING	131R
14		10571774		1	WASHER, 8 ARANDELA	ROSETTA PIANA FLADSKIVE	UNTERLEGSCHIEBE ANILHA	RONDELLE SLUITRING	131R
16		87355133		2	PLATE PLACA	PIASTRA PLADE	BLECH, PLATTE CHAPA	PLAQUE PLAAT	105P

E16 E18

BUY NOW

**Then Instant Download
the Complete Manual
Thank you very much!**