

# PARTS CATALOG

**Product Line**

**CATALOGO PARTI  
DI RICAMBIO**

**Model E18B**

**CATALOGUE DES PIECES  
DETACHEES**

**ERSATZTEILKATALOG**

**CATÁLOGO DES PIEZAS  
DE REPUESTO**

**CATÁLOGO DE PEÇAS  
SOBRESSALENTES**

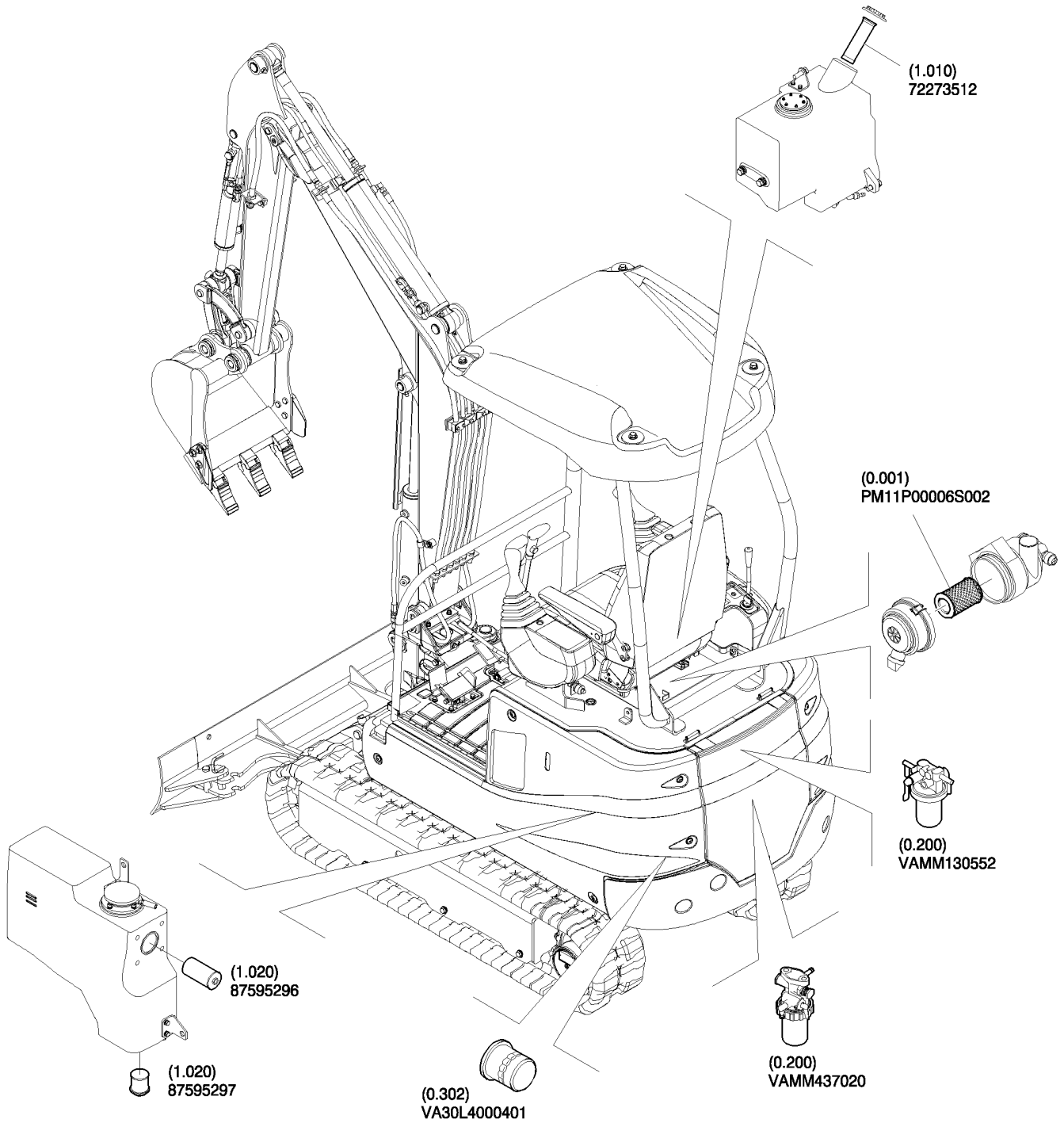
**ONDERDELENLIJST**

**RESERVEDELSKATALOG**

**CATALOGUE n. 87743910**  
1<sup>st</sup> Edition 03 - 2008

 **NEW HOLLAND**

MAINTENANCE PARTS  
PARTICOLARI PER LA MANUTENZIONE  
ERSATZTEILEN FUER DER WARTUNG  
PIECES POUR L'ENTRETIEN



---

# TABLE OF CONTENTS

---

0 - VERSION	00	IDENTIFICATION AND VERSION LIST
0.000	00	MAINTENANCE PARTS
0.000	01	ENGINE INSTALLATIONS
0.001	01	AIR CLEANER
0.001	02	AIR CLEANER
0.002	01	MUFFLER
0.003	01	RADIATOR
0.003	02	RADIATOR
0.003	03	RADIATOR - COMPONENTS
0.003	04	RADIATOR - COMPONENTS
0.004	01	ENGINE ACCELERATOR CONTROLS
0.004	02	ENGINE ACCELERATOR CONTROLS
0.021	01	ENGINE - DIESEL
0.021	02	GASKET SET
0.040	01	CRANKCASE
0.040	02	CRANKCASE
0.042	01	OIL SUMP
0.042	02	OIL SUMP
0.043	01	CRANKCASE COVERS
0.060	01	CYLINDER HEAD
0.060	02	ROCKER COVER
0.060	03	ROCKER COVER
0.071	01	MANIFOLDS
0.080	01	CRANKSHAFT
0.081	01	CONNECTING ROD
0.082	01	PISTONS
0.083	01	FLYWHEEL PLATE
0.083	02	FLYWHEEL
0.100	01	FUEL INJECTION PUMP DRIVE
0.120	01	VALVE MECHANISM
0.120	02	CAMSHAFT
0.140	01	FUEL INJECTION PUMP
0.140	02	INJECTION PUMP - CONTROL
0.140	03	GOVERNOR PARTS
0.149	01	INJECTION EQUIPMENT - PIPING
0.149	02	INJECTION EQUIPMENT - PIPING
0.149	03	INJECTION EQUIPMENT - PIPING
0.200	01	WATER SEPARATOR
0.200	02	FUEL FILTER
0.201	01	FUEL PUMP
0.270	01	OIL FILTERS - ENGINE
0.302	01	OIL FILTERS - ENGINE
0.302	02	OIL FILTERS - ENGINE
0.320	01	WATER PUMP
0.323	01	WATER PUMP
0.323	02	WATER PUMP
0.326	01	THERMOSTAT
0.326	02	PREHEATING
0.347	01	FAN & BELT
0.347	02	FAN & BELT
0.360	01	STARTER MOTOR
0.360	02	STARTER MOTOR
0.380	01	PREHEATING LAMP
0.380	02	RELAY
0.380	03	SPEED CONTROL

---

# TABLE OF CONTENTS

---

0.400	01	ALTERNATOR
0.400	02	ALTERNATOR
0.450	01	HOOKS - ENGINE
1.000	01	UPPER FRAME
1.000	02	UPPER FRAME
1.000	03	UPPER FRAME - COUNTERWEIGHT
1.000	04	UPPER FRAME - COUNTERWEIGHT INSTALLATIONS
1.010	01	FUEL TANK
1.010	02	FUEL TANK
1.010	03	FUEL LINES
1.020	01	OIL TANK
1.020	02	OIL TANK, INSTALLATIONS
1.030	01	POWER TAKE OFF ASSY
1.030	03	HYDRAULIC PUMP - COMPONENTS
1.030	04	HYDRAULIC PUMP - COMPONENTS
1.030	05	HYDRAULIC PUMP - COMPONENTS
1.035	01	CYLINDER ASSY, SWING
1.035	02	CYLINDER, SWING - COMPONENTS
1.035	03	CYLINDER SWING
1.040	01	SLEW MOTOR
1.040	02	SLEW MOTOR - COMPONENTS
1.040	03	SLEW MOTOR - COMPONENTS
1.040	04	SLEW MOTOR - COMPONENTS
1.050	01	CONTROL VALVE
1.050	02	CONTROL VALVE PIPING
1.050	03	CONTROL VALVE PIPING
1.050	04	CONTROL VALVE PIPING
1.050	05	CONTROL VALVE PIPING N & B
1.050	06	PUMP HYD.LINES
1.050	07	RETURN PIPING
1.050	08	HYDRAULIC CONTROL VALVE - COMPONENTS
1.050	09	HYDRAULIC CONTROL VALVE - COMPONENTS
1.050	10	HYDRAULIC CONTROL VALVE - COMPONENTS - RELIEF VALVE
1.050	11	HYDRAULIC CONTROL VALVE - COMPONENTS
1.050	12	HYDRAULIC CONTROL VALVE - COMPONENTS - RELIEF VALVE
1.050	13	HYDRAULIC CONTROL VALVE - COMPONENTS
1.050	14	HYDRAULIC CONTROL VALVE - COMPONENTS
1.050	15	HYDRAULIC CONTROL VALVE - COMPONENTS
1.050	16	HYDRAULIC CONTROL VALVE - COMPONENTS
1.050	17	HYDRAULIC CONTROL VALVE - COMPONENTS
1.050	18	HYDRAULIC CONTROL VALVE - COMPONENTS
1.050	19	HYDRAULIC CONTROL VALVE - COMPONENTS
1.050	20	HYDRAULIC CONTROL VALVE - COMPONENTS
1.050	21	HYDRAULIC CONTROL VALVE - COMPONENTS
1.050	22	HYDRAULIC CONTROL VALVE - COMPONENTS
1.050	23	HYDRAULIC CONTROL VALVE - COMPONENTS
1.050	24	HYDRAULIC CONTROL VALVE - COMPONENTS
1.070	01	CONTROLS OPERATOR
1.070	02	CONTROLS OPERATOR
1.070	03	CONTROL OPERATOR LH
1.070	04	CONTROLS
1.070	05	CONTROLS
1.070	06	CONTROLS
1.070	07	CONTROLS
1.070	08	CONTROLS

---

# TABLE OF CONTENTS

---

1.070	09	CONTROLS
1.070	10	CONTROLS
1.070	11	CONTROLS
1.070	12	CONTROLS
1.070	13	CONTROLS
1.070	14	CONTROLS
1.070	15	CONTROLS
1.070	16	LH HYDRAULIC CONTROL LEVER ASSY
1.070	17	RH HYDRAULIC CONTROL LEVER ASSY
1.070	18	PILOT VALVE TRAVEL ASSY
1.080	01	CONTROL LINES, VALVE
1.080	02	CONTROL LINES, VALVE
1.080	03	PILOT VALVE PIPING
1.080	04	PILOT VALVE PIPING
1.080	05	PILOT LINES - TRAVEL
1.080	06	SOLENOID VALVE
1.220	01	ELECTRIC SYSTEM - PANEL INSTRUMENTS
1.220	02	ELECTRIC SYSTEM - PANEL INSTRUMENT
1.220	03	ELECTRIC SYSTEM - RELÉ BOX
1.220	04	ELECTRIC SYSTEM - RELAY BOX
1.220	05	ELECTRIC SYSTEM - RELAY BOX
1.220	06	ELECTRIC SYSTEM - BATTERY
1.220	07	ELECTRIC SYSTEM - HARNESS UPPER FRAME
1.220	08	ELECTRIC SYSTEM - HARNESS UPPER FRAME
1.220	09	ELECTRIC SYSTEM - HARNESS BOOM
1.220	10	ELECTRIC SYSTEM - LIGHT ASSY
1.250	01	CANOPY
1.250	02	CANOPY
1.250	03	CAB INSTAL
1.250	04	CAB - COMPONENTS
1.250	05	CAB - COMPONENTS
1.250	06	CAB
1.250	07	CAB - COMPONENTS
1.250	08	CAB - COMPONENTS
1.250	09	CAB - COMPONENTS
1.270	01	PLATE FLOOR
1.290	01	CAB HEATING
1.290	02	CAB HEATING
1.300	01	HOODS
1.300	02	HOODS
1.300	03	HOODS
1.300	04	HOODS
1.300	05	HOODS
1.300	06	HOODS
2.000	01	MONOBLOC BOOM
2.000	02	MONOBLOC BOOM
2.000	03	MONOBLOC BOOM
2.003	01	DIPPER STICK
2.003	02	DIPPER STICK
2.003	03	DIPPER STICK
2.006	01	SWING BRACKET SUPPORT
2.006	02	SWING BRACKET SUPPORT
2.030	01	BOOM PIPING
2.030	02	BOOM PIPING
2.030	03	BOOM CYLINDER

---

# TABLE OF CONTENTS

---

2.030	04	HYDRAULIC LINES BOOM CYLINDER
2.030	05	ARM CYLINDER
2.030	06	HYDRAULIC LINES ARM CYLINDER
2.030	07	CYLINDER BUCKET
2.030	08	HYDRAULIC LINES CYLINDER BUCKET
2.030	09	HYDRAULIC LINES ARM CYLINDER - NIBBLER & BREAKER
2.030	10	BOOM CYLINDER - COMPONENTS
2.030	11	ARM CYLINDER - COMPONENTS
2.030	12	CYLINDER BUCKET - COMPONENTS
2.050	01	BUCKET INSTALLATION
3.000	01	LOWER FRAME
3.000	02	LOWER FRAME
3.010	01	TRAVEL MOTOR (DOUBLE SPEED)
3.010	02	TRAVEL MOTOR (DOUBLE SPEED) - COMPONENTS
3.010	03	TRAVEL MOTOR (DOUBLE SPEED) - COMPONENTS
3.010	04	TRAVEL MOTOR (DOUBLE SPEED) - COMPONENTS
3.010	05	TRAVEL MOTOR HYDRAULIC LINES
3.020	01	IDLER ADJUSTER
3.020	02	IDLER ADJUSTER - IDLER SHELL
3.020	03	IDLER ADJUSTER - IDLER REGULATION
3.040	01	TRACK ROLLER
3.040	02	TRACK ROLLER - COMPONENTS
3.050	01	DOZER
3.050	02	DOZER INSTAL
3.050	03	DOZER GROUP
3.051	01	DOZER CYLINDER
3.051	02	CYLINDER DOZER HYD.LINES
3.051	03	CYLINDER DOZER - COMPONENTS
3.060	01	JOINT SWIVEL
3.060	02	JOINT SWIVEL - COMPONENTS
3.060	03	SWIVEL JOINT HYD.LINES
3.060	04	SWIVEL JOINT HYD.LINES
3.070	01	TRAVEL HYD.LINES(LOWER)
3.070	02	TRAVEL HYD.LINES(LOWER)
3.080	01	CYLINDER ADJUSTABLE WIDHT
3.080	02	CYLINDER ADJUSTABLE WIDHT - COMPONENTS
3.080	03	ADJUSTABLE CYLINDER HYD.LINES
4.520	01	DECALS
4.520	02	DECALS
4.520	03	DECALS - CAB
4.520	04	DECALS - CANOPY
4.520	05	DECALS - CAB
4.520	06	DECALS - CANOPY
5.0001	01	RUBBER CRAWLER ASSY - 955200020
5.0022	01	ARM (1,02M)
5.0022	02	ARM HYD.LINES (1,02M)
5.0038	01	ARM (1,22M)
5.0038	02	ARM HYD.LINES (1,22M)
5.0100	01	BUCKET - (L=250MM)
5.0101	01	BUCKET - (L=600MM)
5.0102	01	BUCKET - (L=700MM)
5.0105	01	BUCKET - (L=500MM) - 747624010
5.0148	01	HYDRAULIC QUICK COUPLING - 747691010
5.0151	01	OPERATOR'S SEAT
5.0159	01	OPERATOR'S SEAT AT MECHANICAL SUSPENSION

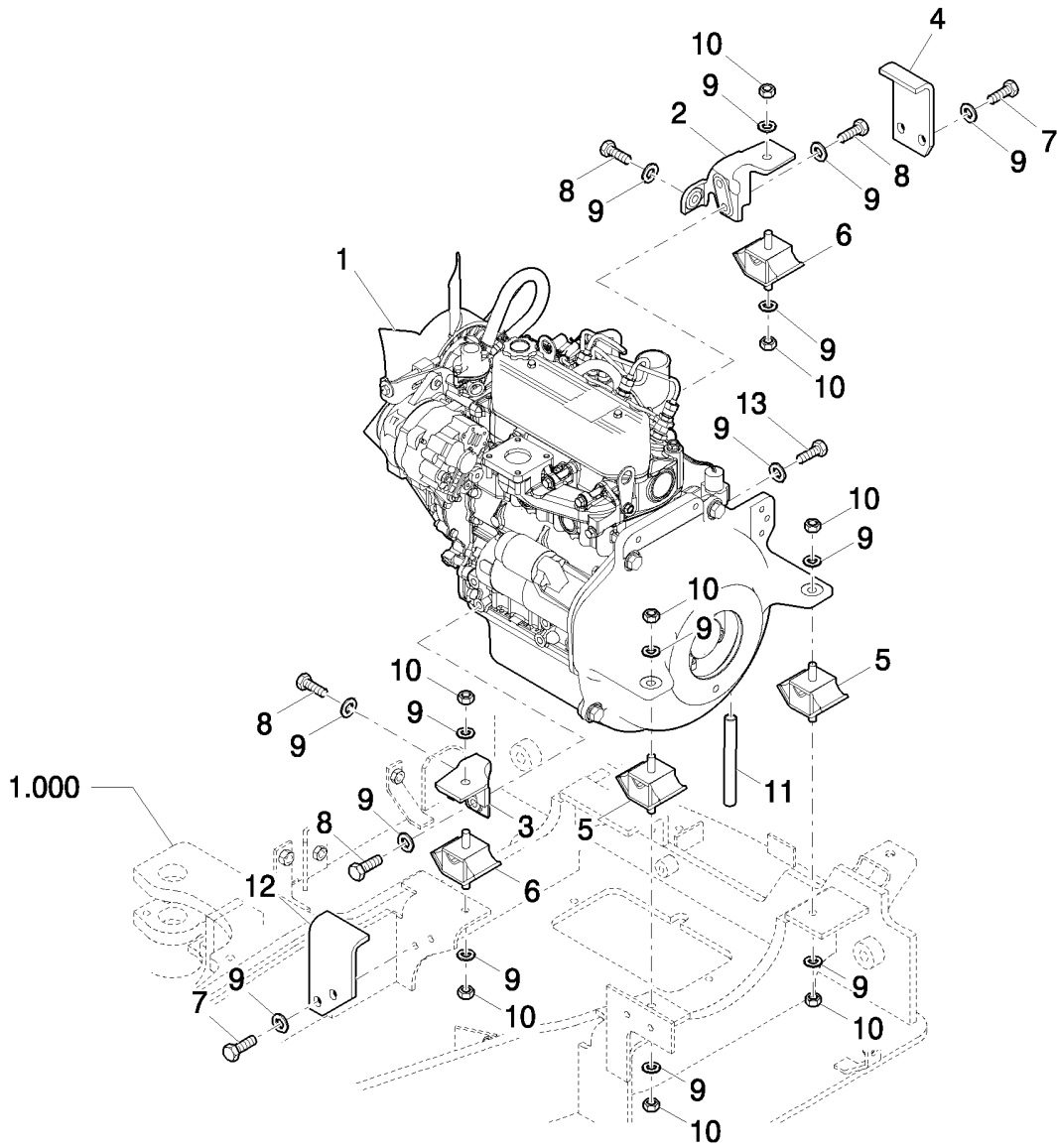
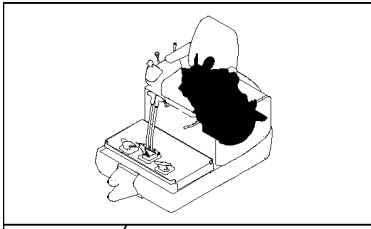
---

## TABLE OF CONTENTS

---

5.0207	01	CANOPY COVER
5.0749	01	ROTATING BEACON - 747456010
5.0749	02	ROTATING BEACON - 747456020
5.0820	01	DITCH CLEANING BUCKET - (L=800MM)
5.0821	01	DITCH CLEANING BUCKET - (L=1000MM)
5.9121	01	BUCKET - (L=350MM) - 747621010
5.9122	01	BUCKET - (L=450MM) - 747623010
5.9125	01	BUCKET - (L=300MM) - 747620010
5.9126	01	BUCKET - (L=400MM) - 747622010

ENGINE INSTALLATIONS  
INSTALLAZIONE MOTORE  
MOTORANLAGE  
INSTALLATIONS DU MOTEUR





0.000

01

p1

02/08

INSTALACIÓN MOTOR  
ENGINE INSTALLATIONS  
ENGINE INSTALLATIONS  
ENGINE INSTALLATIONS

R	N	P.N.	MOD	Q	Description Denominacion	Descrizione Beskrivelse	Bezeichnung Denominação	Description Beschrijving	L.C.
1	1	87555573		1	ENGINE MOTOR	MOTORE MOTOR	MOTOR MOTOR	MOTEUR MOTOR	130M
2		87555533		1	BRACKET PIEZA DE SOPORTE	STAFFA BESLAG	KONSOLE BRACADEIRA	PATTE FIXATION STEUNBEUGEL	225S
3		87555534		1	BRACKET PIEZA DE SOPORTE	STAFFA BESLAG	KONSOLE BRACADEIRA	PATTE FIXATION STEUNBEUGEL	225S
4		87555532		1	BRACKET PIEZA DE SOPORTE	STAFFA BESLAG	KONSOLE BRACADEIRA	PATTE FIXATION STEUNBEUGEL	225S
5		87555531		2	MOUNT, RUBBER TEJUELO, GOMA	SUPPORTO, DI GOMMA MONTERINGSGUMMIBØ	GUMMIHALTERUNG MONTAGEM DE BORRA	PALIER CAOUTCHOUC BEVESTIGING, RUBBER	P777
6		72271561		2	DAMPER ANTIVIBRADOR	SMORZATORE SVINGNINGSDAEMPER	DÄMPFER ANTIVIBRADOR	AMORTISSEUR VIBRATI TRILLINGSDEMPPER	164S
7		11106234		4	BOLT, Hex, M10 x 25, 10.9, Full Thd TORNILLO	BULLONE SKRUE	SCHRAUBE PARAFUSO	BOULON BOUT	140B
8		15970734		6	BOLT, Hex, M10 x 1.25 x 25, 10.9, Full Thd TORNILLO	BULLONE SKRUE	SCHRAUBE PARAFUSO	BOULON BOUT	140B
9		14496631		20	WASHER, M10 x 21 x 2 ARANDELA	ROSETTA PIANA FLADSKIVE	UNTERLEGSCHIEBE ANILHA	RONDELLE SLUITRING	131R
10		11701721		8	NUT, M10, CI 10 TUERCA	DADO MOETRIK	MUTTER PORCA	ECROU MOER	010D
11		87555529		1	HOSE MANGA	MANICOTTO FLESSIBILE SLANGE	SCHLAUCH TUBO FLEXIVEL	FLEXIBLE FLEXIBELE BUIS	030M
12		87595361		1	BRACKET PIEZA DE SOPORTE	STAFFA BESLAG	KONSOLE BRACADEIRA	PATTE FIXATION STEUNBEUGEL	225S
13		15970534		2	BOLT, Hex, M10 x 1.25 x 20, 10.9, Full Thd TORNILLO	BULLONE SKRUE	SCHRAUBE PARAFUSO	BOULON BOUT	140B

(1) See Sgr. 0.021

E18B

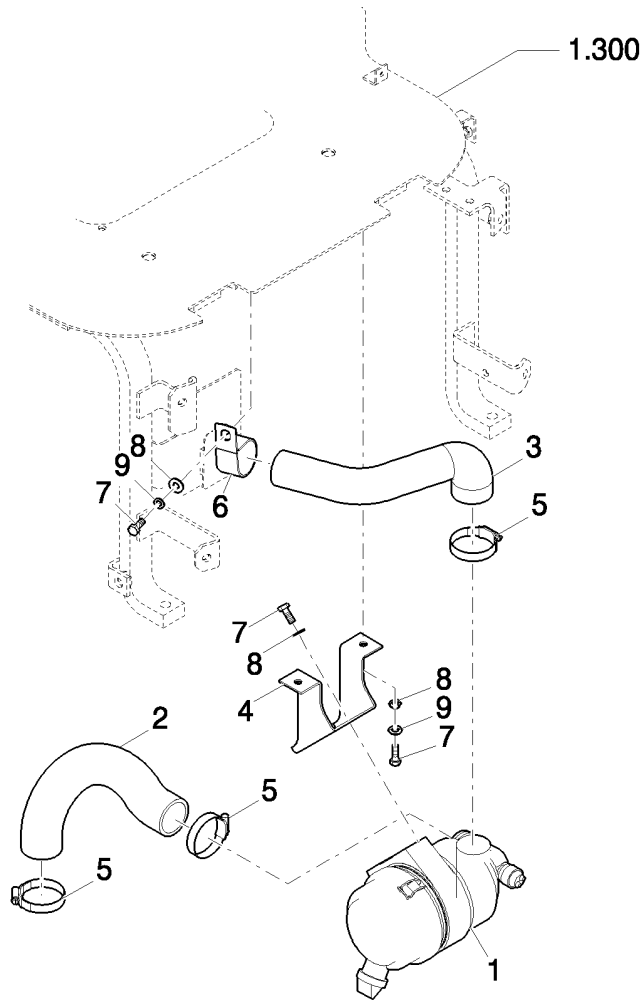
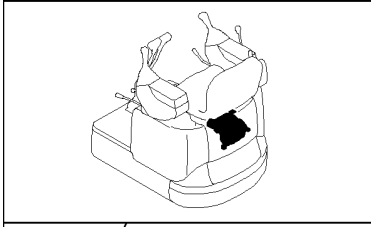
0.001

01

p1

02/08

AIR CLEANER  
FILTRO ARIA  
LUFTFILTER  
FILTRE A AIR



FILTRO DE AIRE  
AIR CLEANER  
AIR CLEANER  
AIR CLEANER

R	N	P.N.	MOD	Q	Description Denominacion	Descrizione Beskrivelse	Bezeichnung Denominação	Description Beschrijving	L.C.
1	1	87595309		1	AIR CLEANER DEPURADOR	DEPURATORE LUFTFILTER	LUFTFILTER DEPURADOR	FILTER A AIR LUCHTREINIGER	021D
2		87550358		1	HOSE, LARGE Manguito	TUBO FLESSIBILE,GRDE SLANGE, STOR	SCHLAUCH, GROSS MANGOTE	Durite SLANG, GROOT	Z336
3		87550359		1	HOSE, LARGE Manguito	TUBO FLESSIBILE,GRDE SLANGE, STOR	SCHLAUCH, GROSS MANGOTE	Durite SLANG, GROOT	Z336
4		87550360		1	BRACKET PIEZA DE SOPORTE	STAFFA BESLAG	KONSOLE BRACADEIRA	PATTE FIXATION STEUNBEUGEL	225S
5		87526523		3	CLAMP COLLAR	MORSETTO CLAMP	SHELLE BRACADEIRA	COLLIER CLAMP	1640
6		71438664		1	CLIP SUJETADOR	FERMAGLIO KLIPS	KLEMME FIXADOR	CLIP KLEM	045F
7		16043434		5	BOLT, Hex, M8 x 20, 10.9, Full Thd	BULLONE SKRUE	SCHRAUBE PARAFUSO	BOULON BOUT	140B
8		14496531		5	WASHER, M8 x 17 x 1.6 ARANDELA	ROSETTA PIANA FLADSKIVE	UNTERLEGSCHIEBE ANILHA	RONDELLE SLUITRING	131R
9		10516674		3	WASHER, LOCK, 5/16" ARANDELA DE FRENO	ROSETTA DI SICUREZZA/ LAASESKIVE	SICHERUNGSSCHIEBE ANILHA DE FIXACAO	RONDELLE FREIN VEERRING	132R

(1) See Page 0.001 02

E18B

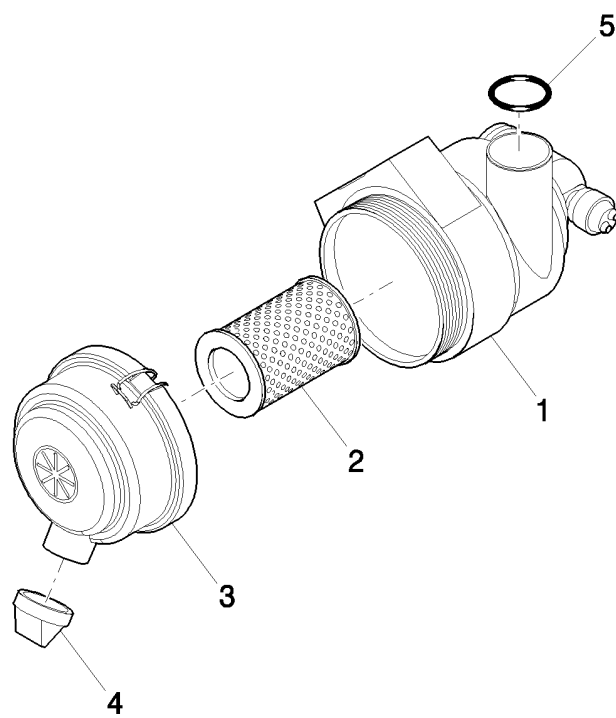
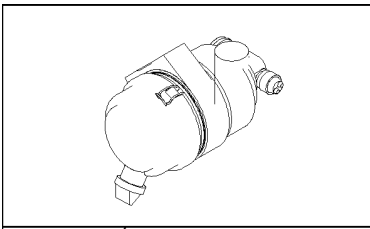
0.001

02

p1

02/08

AIR CLEANER  
FILTRO ARIA  
LUFTFILTER  
FILTRE A AIR



0.001

02

p1

02/08

FILTRO DE AIRE  
AIR CLEANER  
AIR CLEANER  
AIR CLEANER

R	N	P.N.	MOD	Q	Description Denominacion	Descrizione Beskrivelse	Bezeichnung Denominação	Description Beschrijving	L.C.
1		PU11P00004S001		1	BODY CUERPO	CORPO HUS	KOERPER CORPO	CORPS LICHAAM	300C
2		PM11P00006S002		1	FILTER, ELEMENT ELEMENTO DE FILTRAD	ELEMENTO DEL FILTRO FILTERELEMENT	FILTERELEMENT ELEMENTO DE FILTRO	ELÉMENT FILTRANT FILTERELEMENT	020E
3		PM11P00006S003		1	COVER ASSY TABA (CONJUNTO)	COPERCHIO, COMPL COVER ASSY	DECKEL (KPLT.) TAMPA CONJUNTO	COUVERCLE (ASSEMBL) COVER ASSY	P426
4		2446U242S4		1	VALVE VALVULA	VALVOLA VENTIL	VENTIL VALVULA	SOUPAPE KLEP	9620
5		PM11P00006S005		1	O-RING JUNTA HERMETICA	ANELLO TOROIDALE O-RING	O-RING O-RING	JOINT THORIQUE O-RING	055A

AIR CLEANER ASSY P/N 87595309

E18B

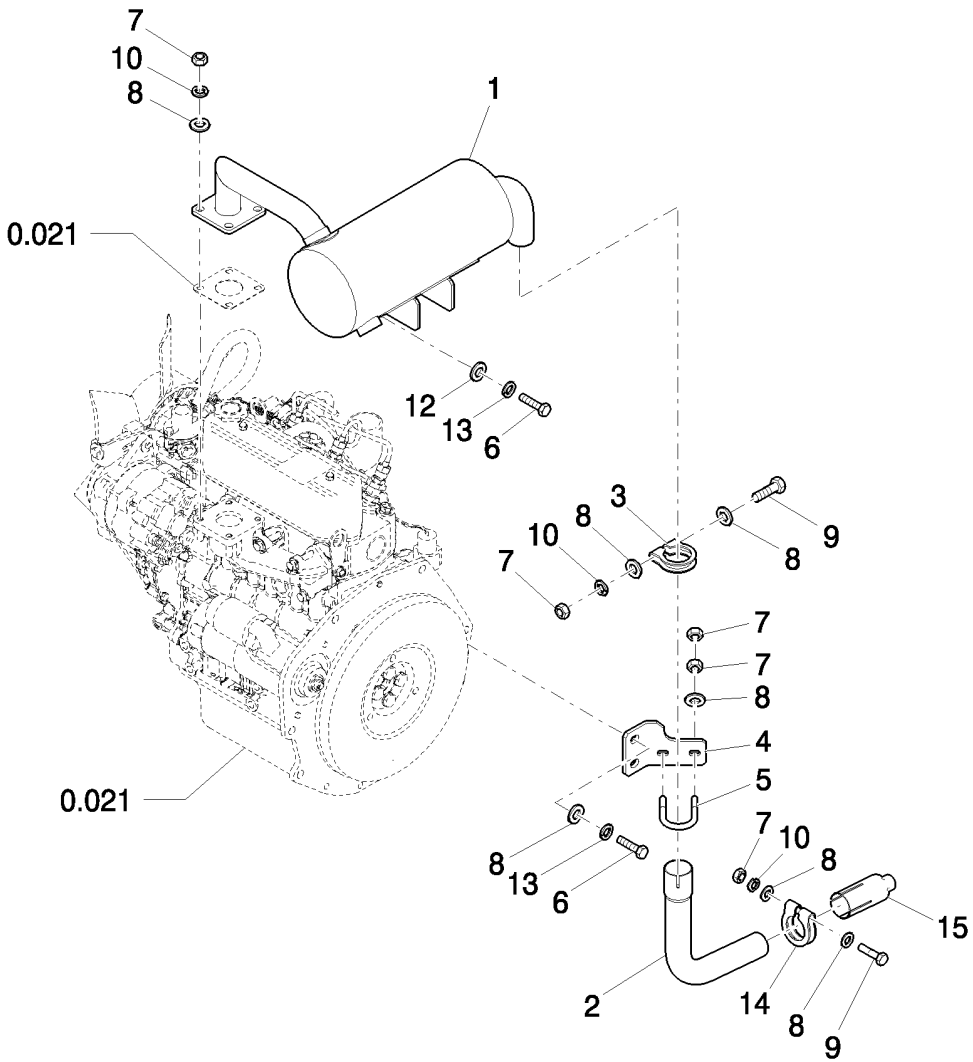
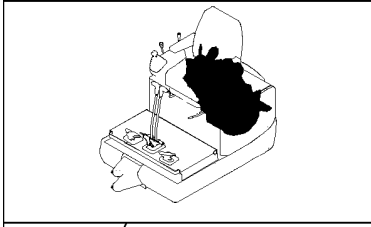
0.002

01

p1

02/08

MUFFLER  
SILENZIATORE  
SCHALLDAEMPFER  
SILENCIEUX



**BUY NOW**

**Then Instant Download  
the Complete Manual  
Thank you very much!**