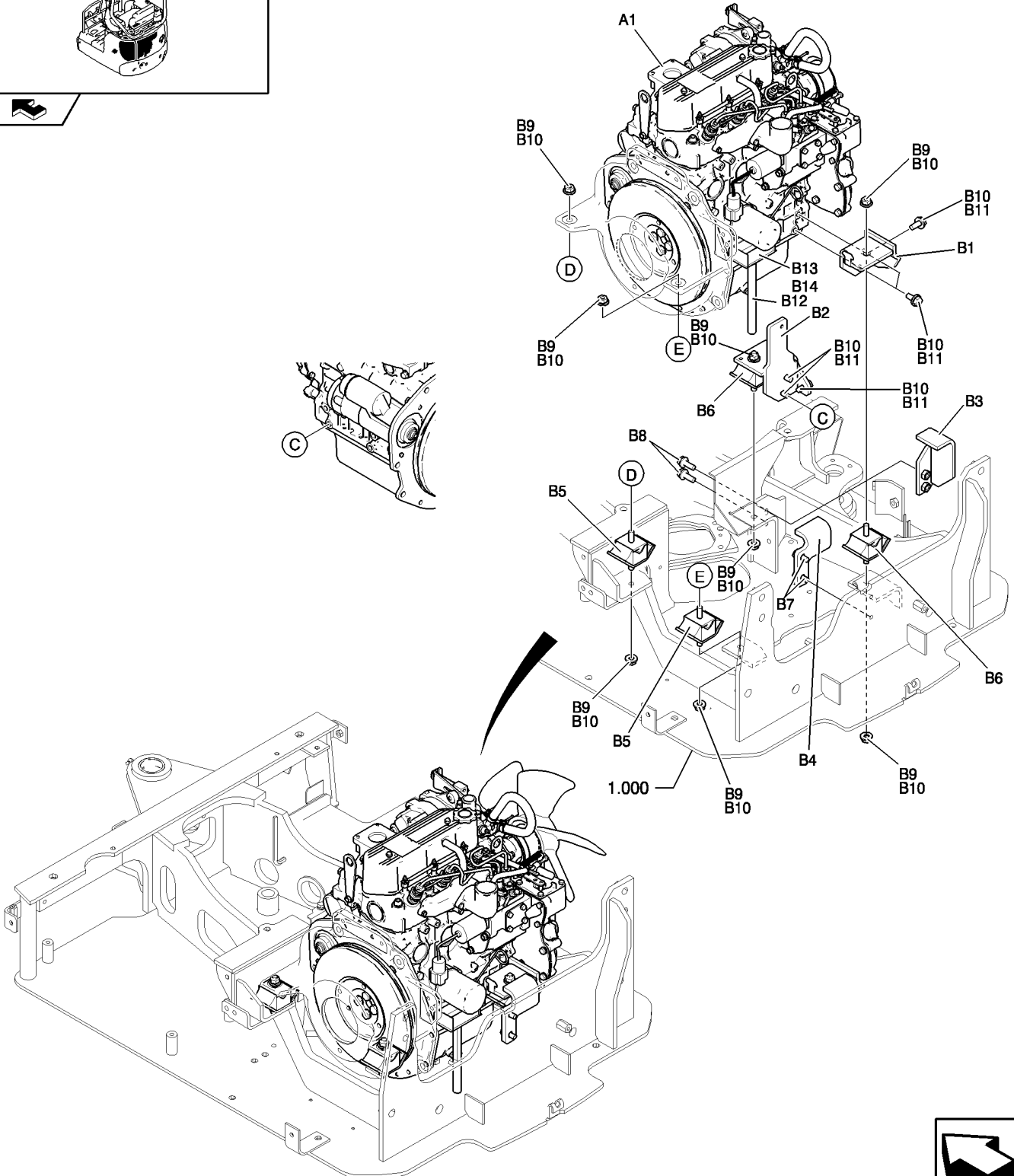
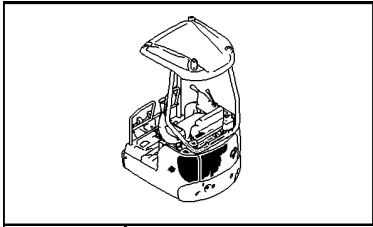

SECTION INDEX

General

0 - VERSION	00	IDENTIFICATION AND VERSION LIST
0.000	00	MAINTENANCE PARTS
0.000	01	ENGINE INSTALLATIONS
0.001	01	AIR CLEANER
0.002	01	MUFFLER
0.003	01	RADIATOR INSTALLATIONS
0.003	02	RADIATOR - COMPONENTS
0.004	01	ENGINE ACCELERATOR CONTROLS
0.021	01	ENGINE - DIESEL
0.021	02	GASKET SET
0.040	01	CRANKCASE
0.040	02	CRANKCASE
0.042	01	OIL SUMP
0.043	01	CRANKCASE COVERS
0.060	01	CYLINDER HEAD
0.060	02	ROCKER COVER
0.071	01	MANIFOLDS
0.080	01	CRANKSHAFT
0.081	01	PISTONS
0.083	01	FLYWHEEL PLATE
0.100	01	FUEL INJECTION PUMP DRIVE
0.120	01	VALVE MECHANISM
0.120	02	CAMSHAFT
0.140	01	FUEL INJECTION PUMP
0.140	02	INJECTION PUMP - CONTROL
0.140	03	GOVERNOR PARTS
0.149	01	INJECTION EQUIPMENT - PIPING
0.149	02	INJECTION EQUIPMENT - PIPING
0.200	01	WATER SEPARATOR
0.200	02	FUEL FILTER
0.302	01	OIL FILTERS - ENGINE
0.320	01	WATER PUMP
0.326	01	THERMOSTAT
0.347	01	FAN & BELT
0.360	01	STARTER MOTOR
0.360	02	STARTER MOTOR
0.380	01	PREHEATING LAMP
0.380	02	RELAY
0.380	03	SPEED CONTROL
0.400	01	ALTERNATOR
0.400	02	ALTERNATOR

ENGINE INSTALLATIONS
INSTALLAZIONE MOTORE
MOTORANLAGE
INSTALLATIONS DU MOTEUR



0.000

01

p1

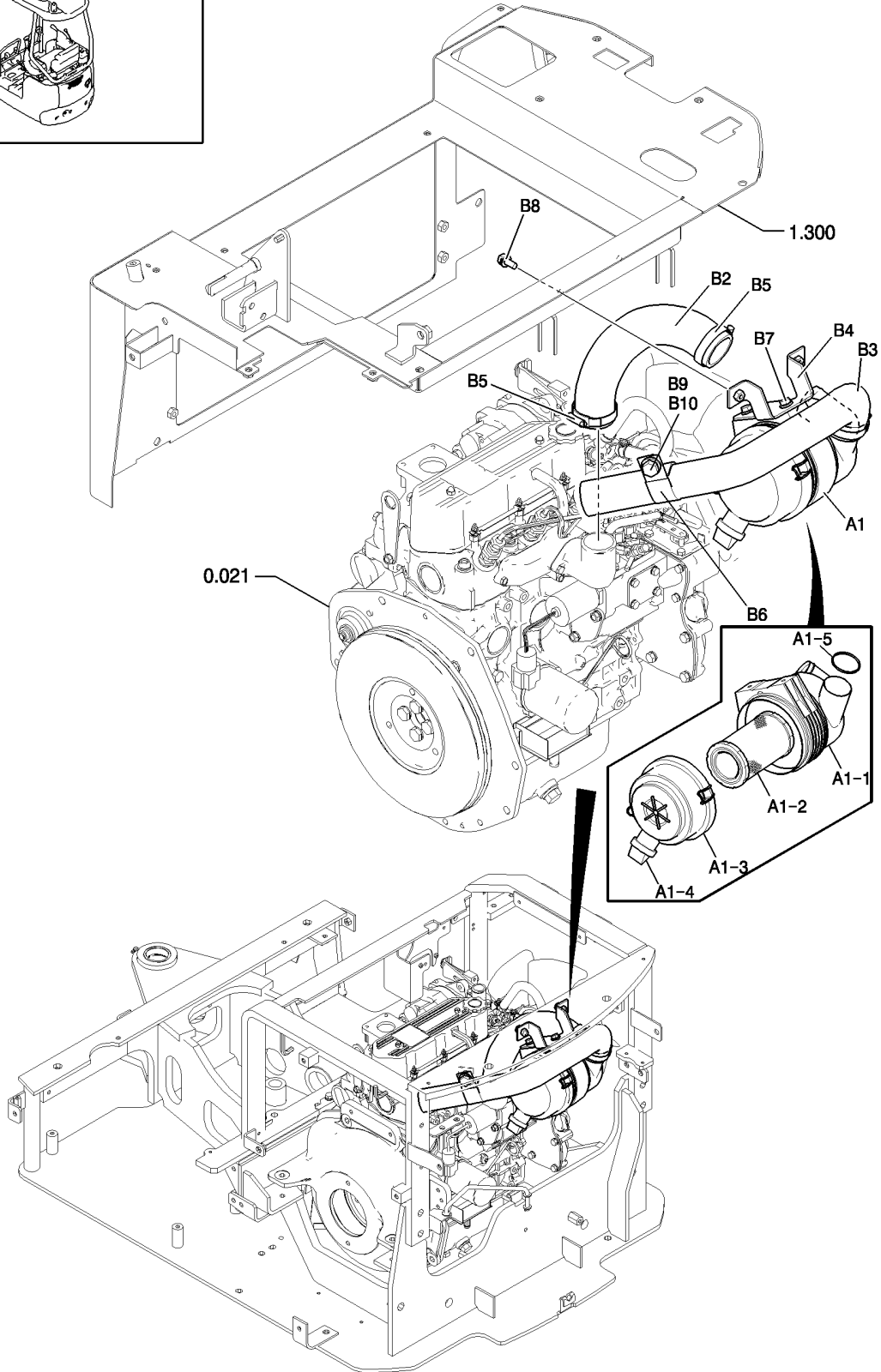
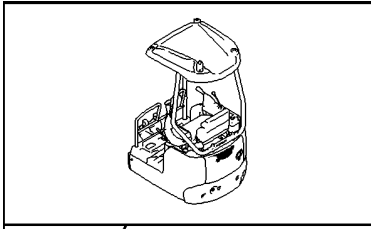
02/08

INSTALACIÓN MOTOR
ENGINE INSTALLATIONS
ENGINE INSTALLATIONS
ENGINE INSTALLATIONS

R	N	P.N.	MOD	Q	Description Denominacion	Descrizione Beskrivelse	Bezeichnung Denominação	Description Beschrijving	L.C.
A1		PU02P00013F1		1	ENGINE ASSY, - ASSY SEE SGR. 0.021	MOTORE ENGINE ASS	VERBRENNUNGSMOTOR MOTOR	MOTEUR-THERMIQUE ENGINE ASS	3020
B1		PU02P01025P1		1	BRACKET PIEZA DE SOPORTE	STAFFA BESLAG	KONSOLE BRACADEIRA	PATTE FIXATION STEUNBEUGEL	225S
B2		PU02P01002P1		1	BRACKET PIEZA DE SOPORTE	STAFFA BESLAG	KONSOLE BRACADEIRA	PATTE FIXATION STEUNBEUGEL	225S
B3		PU02P01003P1		1	STOP DISPOSITIVO DE TOPE	ARRESTO STOP	STOPPVORRICHTUNG BATENTE	BUTÉE STOOTSTUK	080A
B4		PU02P01015P1		1	STOP DISPOSITIVO DE TOPE	ARRESTO STOP	STOPPVORRICHTUNG BATENTE	BUTÉE STOOTSTUK	080A
B5		PM02P01037P1		2	MOUNT, RUBBER TEJUELO, GOMA	SUPPORTO, DI GOMMA MONTERINGSGUMMIBØ	GUMMIHALTERUNG MONTAGEM DE BORRACHA	PALIER CAOUTCHOUC BEVESTIGING, RUBBER	P777
B6		PM02P01038P1		2	MOUNT, RUBBER TEJUELO, GOMA	SUPPORTO, DI GOMMA MONTERINGSGUMMIBØ	GUMMIHALTERUNG MONTAGEM DE BORRACHA	PALIER CAOUTCHOUC BEVESTIGING, RUBBER	P777
B7		ZM73C10025		2	BOLT TORNILLO	BULLONE SKRUE	SCHRAUBE PARAFUSO	BOULON BOUT	140B
B8		ZM73C10030		2	BOLT TORNILLO	BULLONE SKRUE	SCHRAUBE PARAFUSO	BOULON BOUT	140B
B9		ZN18C10008		8	NUT TUERCA	DADO MOETRIK	MUTTER PORCA	ECROU MOER	010D
B10		ZW16H10000		16	WASHER ARANDELA	ROSETTA PIANA FLADSKIVE	UNTERLEGSCHLEIFE ANILHA	RONDELLE SLUITRING	131R
B11		ZS18F10025		6	SCREW TORNILLO	VITE SKRUE	SCHRAUBE PARAFUSO	VIS SCHROEF	040V
B12		PW02P01047D4		1	HOSE MANGA	MANICOTTO FLESSIBILE SLANGE	SCHLAUCH TUBO FLEXIVEL	FLEXIBLE FLEXIBELE BUIS	030M
B13		{PU02P01029P1}		1					
B14		ZS18F10020		2	BOLT TORNILLO	BULLONE SKRUE	SCHRAUBE PARAFUSO	BOULON BOUT	140B

E18SR

AIR CLEANER
FILTRO ARIA
LUFTFILTER
FILTRE A AIR



FILTRO DE AIRE
AIR CLEANER
AIR CLEANER
AIR CLEANER

R	N	P.N.	MOD	Q	Description Denominacion	Descrizione Beskrivelse	Bezeichnung Denominação	Description Beschrijving	L.C.
A1		PU11P00004F1		1	CLEANER PULIDOR	PULITORE RENSEANORDNING	REINIGUNGSVORRICHT POLIDOR	NETTOYEUR REINIGER	494P
A1-1		PU11P00004S001		1	BODY CUERPO	CORPO HUS	KOERPER CORPO	CORPS LICHAM	300C
A1-2		PM11P00006S002		1	FILTER, ELEMENT ELEMENTO DE FILTRAD	ELEMENTO DEL FILTRO FILTERELEMENT	FILTERELEMENT ELEMENTO DE FILTRO	ÉLÉMENT FILTRANT FILTERELEMENT	020E
A1-3		PM11P00006S003		1	COVER ASSY TABLA (CONJUNTO)	COPERCHIO, COMPL COVER ASSY	DECKEL (KPLT.) TAMPA CONJUNTO	COUVERCLE (ASSEMBL) COVER ASSY	P426
A1-4		2446U242S4		1	VALVE VALVULA	VALVOLA VENTIL	VENTIL VALVULA	SOUPAPE KLEP	9620
A1-5		PM11P00006S005		1	O-RING JUNTA HERMETICA	ANELLO TOROIDALE O-RING	O-RING O-RING	JOINT THORIQUE O-RING	055A
B2		PU11P01005P1		1	HOSE MANGA	MANICOTTO FLESSIBILE SLANGE	SCHLAUCH TUBO FLEXIVEL	FLEXIBLE FLEXIBELE BUIS	030M
B3		PU11P01006P1		1	HOSE MANGA	MANICOTTO FLESSIBILE SLANGE	SCHLAUCH TUBO FLEXIVEL	FLEXIBLE FLEXIBELE BUIS	030M
B4		PU11P01030P1		1	BRACKET PIEZA DE SOPORTE	STAFFA BESLAG	KONSOLE BRACADEIRA	PATTE FIXATION STEUNBEUGEL	225S
B5		ZC16X05000		3	CLIP SUJETADOR	FERMAGLIO KLIPS	KLEMME FIXADOR	CLIP KLEM	045F
B6		ZC46X46014		1	CLIP SUJETADOR	FERMAGLIO KLIPS	KLEMME FIXADOR	CLIP KLEM	045F
B7		ZM73C08020		2	BOLT TORNILLO	BULLONE SKRUE	SCHRAUBE PARAFUSO	BOULON BOUT	140B
B8		PA03M01093D2		2	BOLT TORNILLO	BULLONE SKRUE	SCHRAUBE PARAFUSO	BOULON BOUT	140B
B9		ZS18C12020		1	SCREW TORNILLO	VITE SKRUE	SCHRAUBE PARAFUSO	VIS SCHROEF	040V
B10		ZW16H12000		1	WASHER ARANDELA	ROSETTA PIANA FLADSKIVE	UNTERLEGSCHIEBE ANILHA	RONDELLE SLUITRING	131R

E18SR

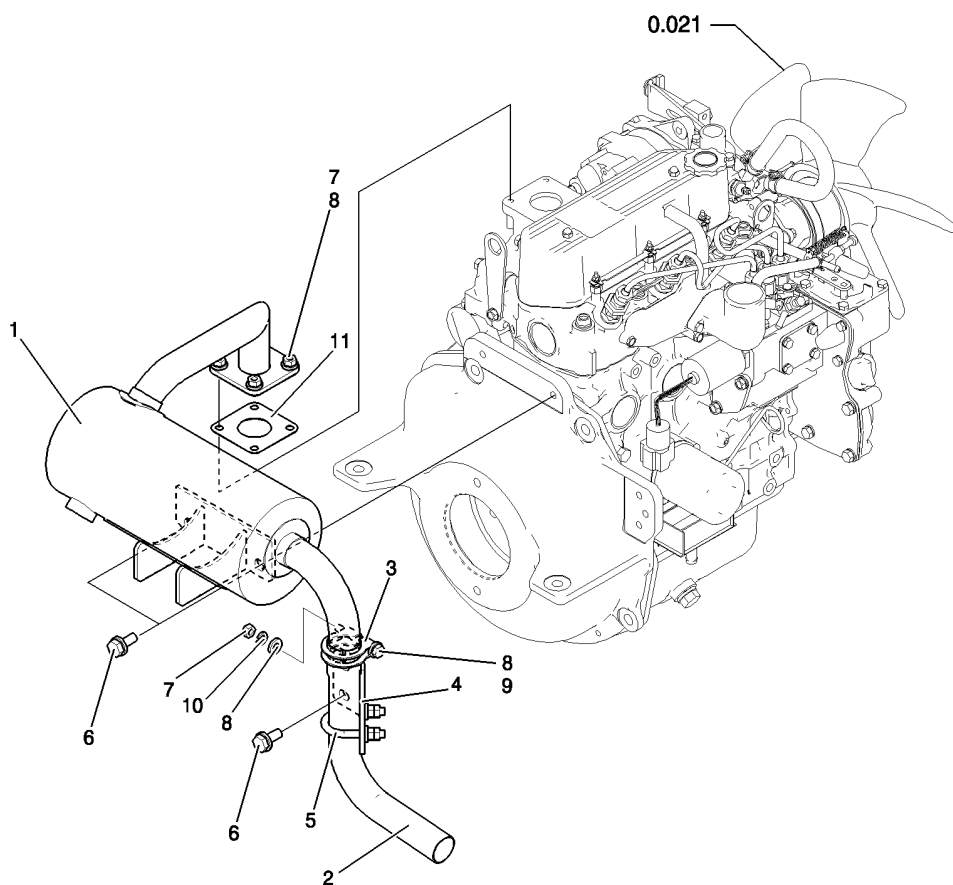
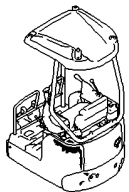
0.002

01

p1

02/08

MUFFLER
SILENZIATORE
SCHALLDAEMPFER
SILENCIEUX



0.002

01

p1

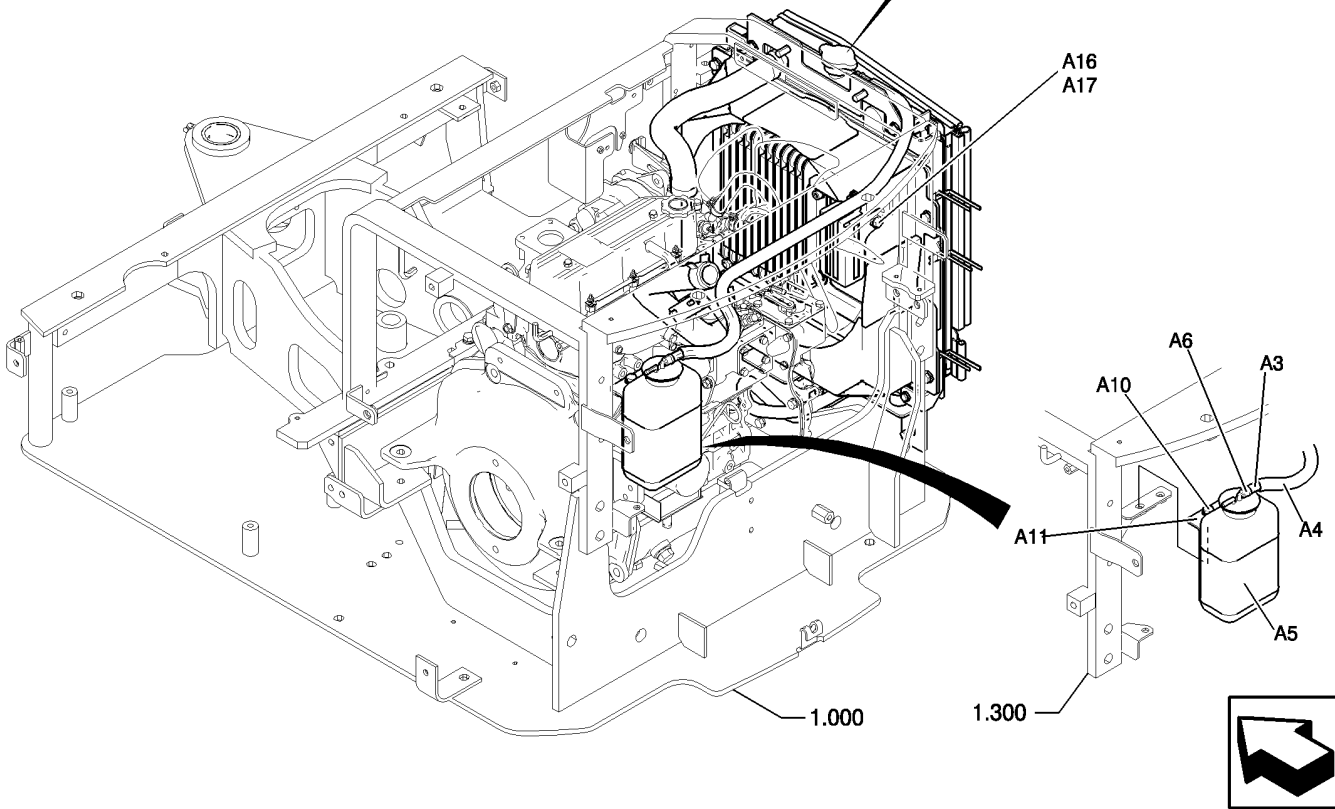
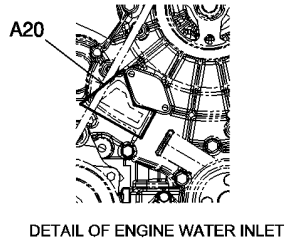
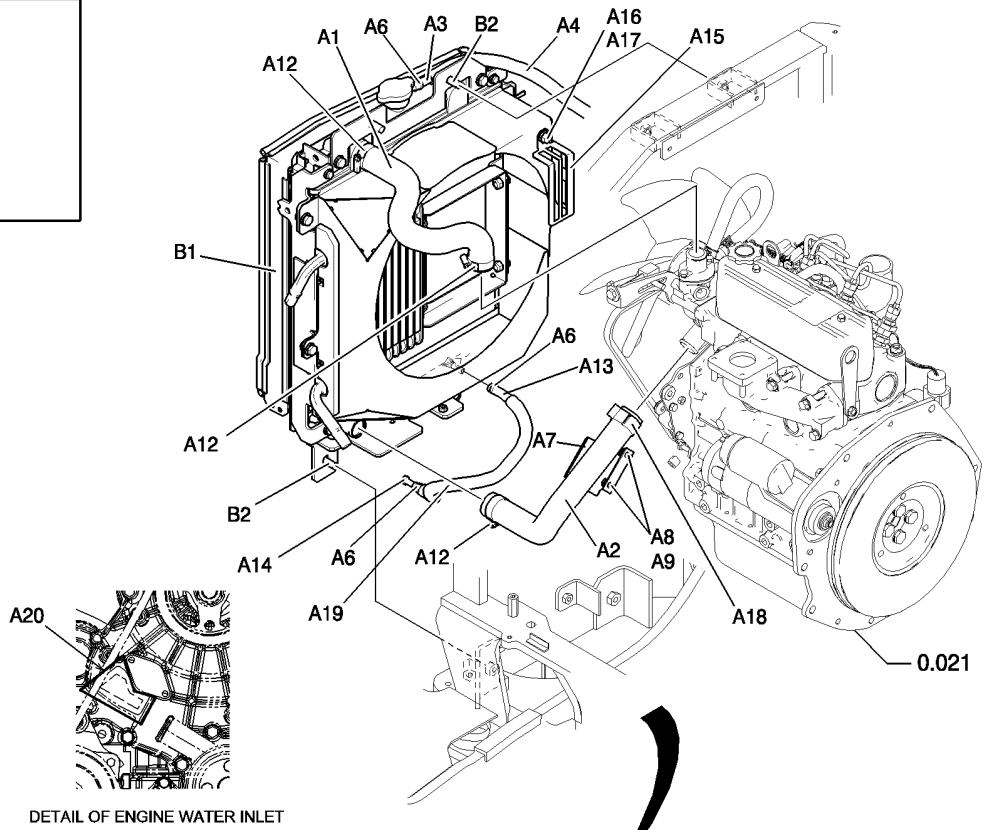
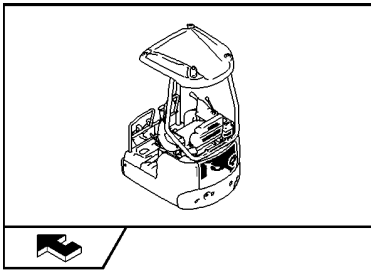
02/08

SILENCIADOR
MUFFLER
MUFFLER
MUFFLER

R	N	P.N.	MOD	Q	Description Denominacion	Descrizione Beskrivelse	Bezeichnung Denominação	Description Beschrijving	L.C.
1		PU12P00016P1		1	MUFFLER SILENCIADOR	SILENZIATORE LYDDAEMPER	SCHALLDÄMPFER SILENCIADOR	SILENCIEUX KNALPOT	160S
2		PU12P01016P1		1	PIPE, EXHAUST SYSTEM TUBO DE ESCAPE	TUBO DI SCARICO RØR, Udstødnings sy	AUSPUFFROHR TUBO ESCAPE	TUBE ECHAPPEMENT PIJP, UITLAATSYSTEEM	198T
3		PW12P01031P1		1	CLAMP BORNE	MORSETTO SPÆNDEBÅND	KLEMME BORNE	BRIDE KLEM	120M
4		PU12P01017P1		1	PLATE PLACA	PIASTRA PLADE	BLECH, PLATTE CHAPA	PLAQUE PLAAT	105P
5		2420T2948D18		1	U-BOLT HORQUILLA	CAVALLOTTO HAARNAAL	BÜGELSCHRAUBE MOLA DE ENGATE	CAVALIER VEERKLEM	100C
6		ZM73C10025		4	BOLT TORNILLO	BULLONE SKRUE	SCHRAUBE PARAFUSO	BOULON BOUT	140B
7		ZN18C08007		9	NUT TUERCA	DADO MOETRIK	MUTTER PORCA	ECROU MOER	010D
8		ZW16H08000		8	WASHER ARANDELA	ROSETTA PIANA FLADSKIVE	UNTERLEGSCHIEBE ANILHA	RONDELLE SLUITRING	131R
9		ZS18C08060		1	SCREW TORNILLO	VITE SKRUE	SCHRAUBE PARAFUSO	VIS SCHROEF	040V
10		ZW26X08000		1	WASHER ARANDELA	ROSETTA PIANA FLADSKIVE	UNTERLEGSCHIEBE ANILHA	RONDELLE SLUITRING	131R
11		PU12P01019P1		1	GASKET JUNTA HERMETICA	GUARNIZIONE PAKNING	DICHTUNG, FLACH JUNTA	JOINT DICHTINGSSTUK	123G

E18SR

RADIATOR INSTALLATIONS
INSTALLAZIONE RADIATORE
KÜHLER
INSTALLATIONS DU RADIATEUR



INSTALACIÓN RADIADOR
RADIATOR INSTALLATIONS
RADIATOR INSTALLATIONS
RADIATOR INSTALLATIONS

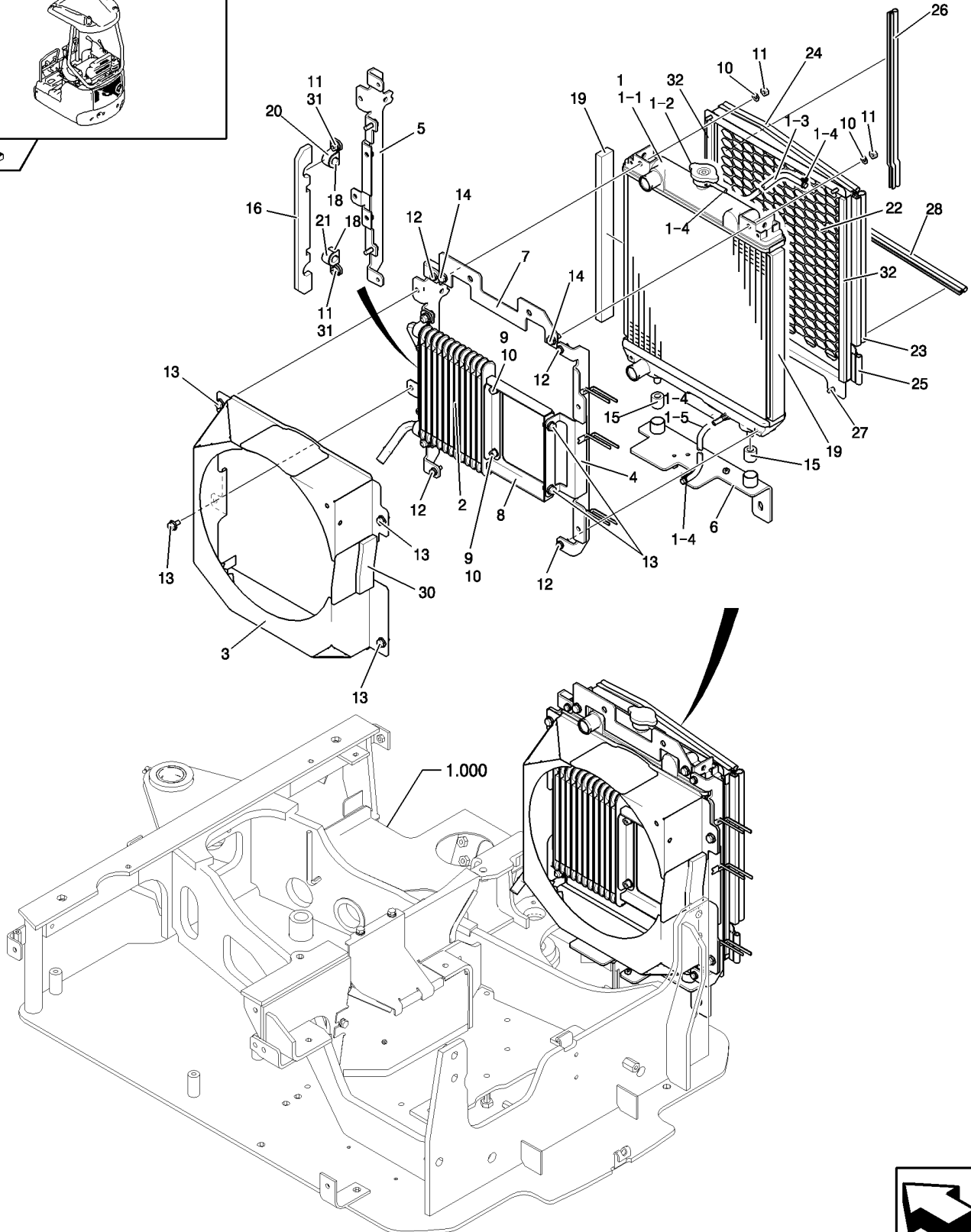
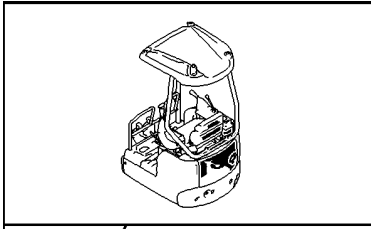
R	N	P.N.	MOD	Q	Description Denominacion	Descrizione Beskrivelse	Bezeichnung Denominação	Description Beschrijving	L.C.
A1		PU05P01016P1		1	HOSE MANGA	MANICOTTO FLESSIBILE SLANGE	SCHLAUCH TUBO FLEXIVEL	FLEXIBLE FLEXIBELE BUIS	030M
A2		PU05P01017P1		1	HOSE MANGA	MANICOTTO FLESSIBILE SLANGE	SCHLAUCH TUBO FLEXIVEL	FLEXIBLE FLEXIBELE BUIS	030M
A3		NS		1	NOT SERVICED NO SE REPARA	NON GESTITO NOT SERVICED	KEIN ERSATZTEIL NOT SERVICED	NON FOURNI NIET GESTOCKEERD	061N
A4		PU13E01002DE		1	TUBE TUBO	TUBETTO RØR	ROHR▯ TUBO	TUBE BUISJE	195T
A5		PU05P01018F1		1	TANK DEPOSITO	SERBATOIO TANK	TANK▯ DEPOSITO	RESERVOIR TANK	115S
A6		NS		4	NOT SERVICED NO SE REPARA	NON GESTITO NOT SERVICED	KEIN ERSATZTEIL NOT SERVICED	NON FOURNI NIET GESTOCKEERD	061N
A7		PU05P01145P1		1	GUIDE GUIA	GUIDA STYR	FÜHRUNG▯ GUIA	GUIDE GELEIDER	145G
A8		ZS18C06012		2	SCREW TORNILLO	VITE SKRUE	SCHRAUBE PARAFUSO	VIS SCHROEF	040V
A9		ZW16H06000		2	WASHER ARANDELA	ROSETTA PIANA FLADSKIVE	UNTERLEGSCHIEBE ANILHA	RONDELLE SLUITRING	131R
A10		ZM73C08020		2	BOLT TORNILLO	BULLONE SKRUE	SCHRAUBE PARAFUSO	BOULON BOUT	140B
A11	1	{PU05P01161P1}		1					
A11	2	{PU05P01161P2}		1					
A12		ZC16X03300		3	FASTENER BOTON DE RESORTE	BOTTONE A SCATTO UDLOESERKNAP	BEFESTIGUNGSELEMEN PARAFUSO	ATTACHE DRUKKNOP	123B
A13		NS		1	NOT SERVICED NO SE REPARA	NON GESTITO NOT SERVICED	KEIN ERSATZTEIL NOT SERVICED	NON FOURNI NIET GESTOCKEERD	061N
A14		PW05P01117P1		1	PLUG TAPÓN	TAPPO PROP	STOPFEN BUJAO	BOUCHON PLUG	050T
A15		PU05P01073P1		1	PLATE PLACA	PIASTRA PLADE	BLECH, PLATTE▯ CHAPA	PLAQUE PLAAT	105P
A16		ZS18C08016		2	SCREW, Hex, M8 x 16 TORNILLO	VITE SKRUE	SCHRAUBE PARAFUSO	VIS SCHROEF	040V
A17		ZW16H08000		2	WASHER ARANDELA	ROSETTA PIANA FLADSKIVE	UNTERLEGSCHIEBE ANILHA	RONDELLE SLUITRING	131R
A18		PH05P01088D3		1	CLIP SUJETADOR	FERMAGLIO KLIPS	KLEMME▯ FIXADOR	CLIP KLEM	045F
A19		PU13E01002DC		1	TUBE TUBO	TUBETTO RØR	ROHR▯ TUBO	TUBE BUISJE	195T
A20		{PU05P01148P1}		1					
B1		PU05P00015F1		1	RADIATOR, - ASSY SEE PAGE 2 RADIADOR	RADIATORE KØLER	KÜHLER ARREFECEDOR	RADIATEUR RADIATORKOELER	025R
B2		ZM73C10025		4	BOLT TORNILLO	BULLONE SKRUE	SCHRAUBE PARAFUSO	BOULON BOUT	140B

(1) Up to S/N PU08-05045

(2) From S/N PU08-05046

E18SR

RADIATOR - COMPONENTS
RADIATORE - COMPONENTI
KÜHLER - BESTANDTEILE
RADIATEUR - COMPOSANTS



0.003

02

p1

03/08

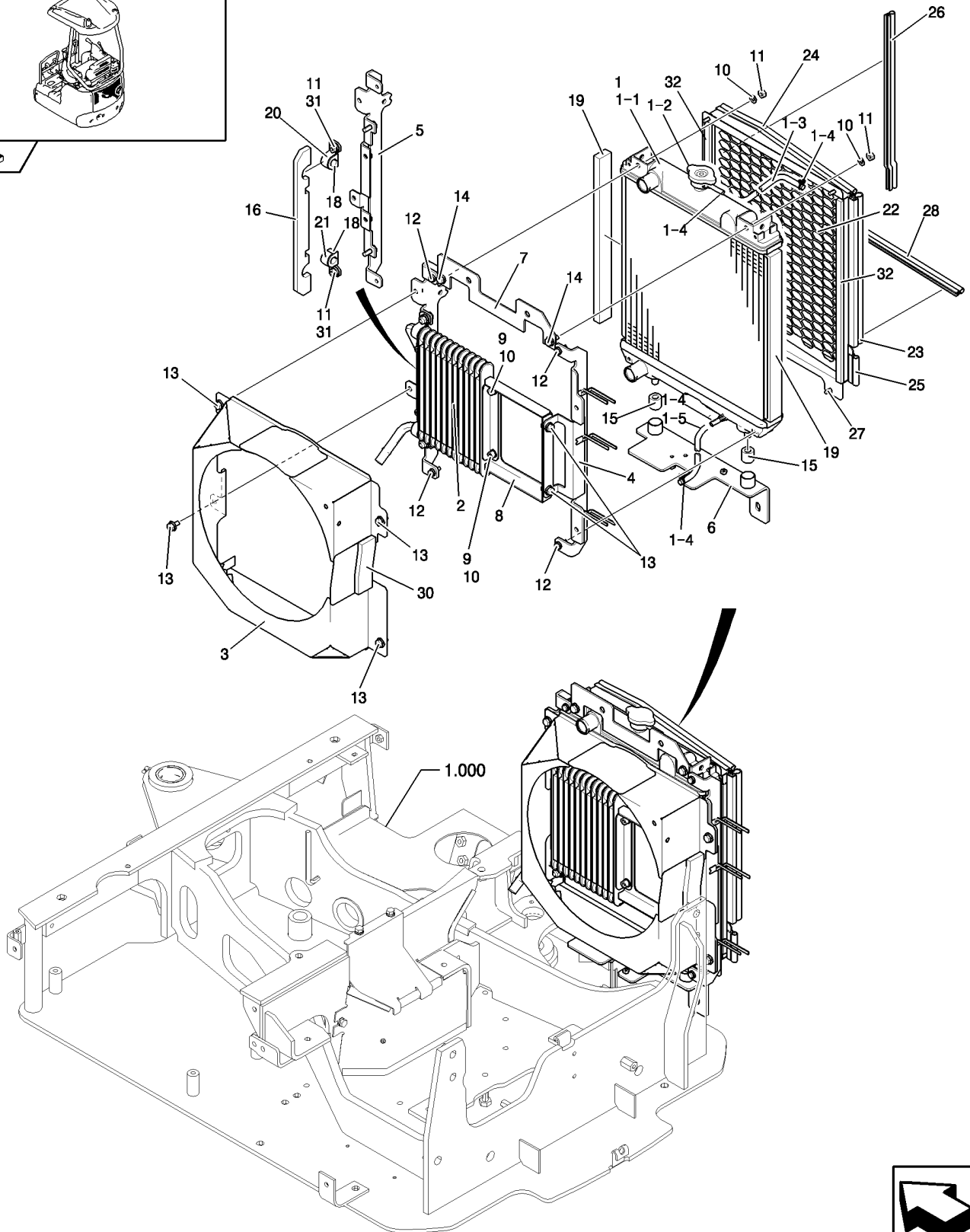
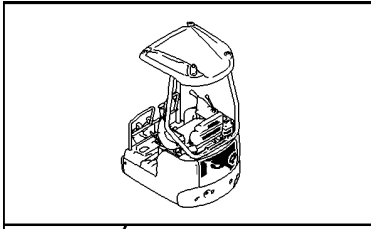
RADIADOR - COMPONENTES
 RADIATOR - COMPONENTS
 RADIATOR - COMPONENTS
 RADIATOR - COMPONENTS

R	N	P.N.	MOD	Q	Description Denominacion	Descrizione Beskrivelse	Bezeichnung Denominação	Description Beschrijving	L.C.
1		PU05P00014F1		1	RADIATOR RADIADOR	RADIATORE KØLER	KÜHLER ARREFECEDOR	RADIATEUR RADIATORKOELER	025R
1-1		{PU05P00014S001}		1					
1-2		PM05P00013S002		1	CAP TAPON DEL DEPOSITO	TAPPO SERBATOIO TANKDAEKSEL	ABDECKAPPE TAMPAO DE RESERVAT	CHAPEAU RESERVOIRDOP	052T
1-3		PU05P00014S003		1	HOSE MANGA	MANICOTTO FLESSIBILE SLANGE	SCHLAUCH TUBO FLEXIVEL	FLEXIBLE FLEXIBELE BUIS	030M
1-4		PR05P00008S004		4	CLIP SUJETADOR	FERMAGLIO KLIPS	KLEMME FIXADOR	CLIP KLEM	045F
1-5		PM05P00013S004		1	HOSE MANGA	MANICOTTO FLESSIBILE SLANGE	SCHLAUCH TUBO FLEXIVEL	FLEXIBLE FLEXIBELE BUIS	030M
2		PU53V00001P1		1	COOLER, OIL RADIADOR ACEITE	RADIATORE OLIO OLIEKØLER	ÖLKÜHLER ARREFECEDOR	REFROIDISSEUR D'HUILE RADIATOR	026R
3		PU05P01098P1		1	SHROUD BOQUILLA	RIPARO DÆKKE	ABDECKUNG COBERTURA	BUSE SHROUD	7830
4		PU05P01034P1		1	BRACKET PIEZA DE SOPORTE	STAFFA BESLAG	KONSOLE BRACADEIRA	PATTE FIXATION STEUNBEUGEL	225S
5		PU05P01111P1		1	BRACKET PIEZA DE SOPORTE	STAFFA BESLAG	KONSOLE BRACADEIRA	PATTE FIXATION STEUNBEUGEL	225S
6		PU05P01078P1		1	BRACKET PIEZA DE SOPORTE	STAFFA BESLAG	KONSOLE BRACADEIRA	PATTE FIXATION STEUNBEUGEL	225S
7		PU05P01159P1		1	BRACKET PIEZA DE SOPORTE	STAFFA BESLAG	KONSOLE BRACADEIRA	PATTE FIXATION STEUNBEUGEL	225S
8		PU05P01064P1		1	BRACKET PIEZA DE SOPORTE	STAFFA BESLAG	KONSOLE BRACADEIRA	PATTE FIXATION STEUNBEUGEL	225S
9		ZS28C08016		4	SCREW TORNILLO	VITE SKRUE	SCHRAUBE PARAFUSO	VIS SCHROEF	040V
10		ZW16K08000		6	WASHER ARANDELA	ROSETTA PIANA FLADSKIVE	UNTERLEGSCHIEBE ANILHA	RONDELLE SLUITRING	131R
11		ZN18C08007		4	NUT TUERCA	DADO MOETRIK	MUTTER PORCA	ECROU MOER	010D
12		ZM73C06020		4	BOLT TORNILLO	BULLONE SKRUE	SCHRAUBE PARAFUSO	BOULON BOUT	140B
13		ZM73C08016		6	BOLT TORNILLO	BULLONE SKRUE	SCHRAUBE PARAFUSO	BOULON BOUT	140B
14		ZM73C08020		2	BOLT TORNILLO	BULLONE SKRUE	SCHRAUBE PARAFUSO	BOULON BOUT	140B
15		PH05P01144P1		2	RUBBER CAUCHO	GOMMA RUBBER	GUMMI BORRACHA	CAOUTCHOUC RUBBER	P321
16		PU05P01116P1		1	RUBBER CAUCHO	GOMMA RUBBER	GUMMI BORRACHA	CAOUTCHOUC RUBBER	P321
18		PU05P01115P1		2	GROMMET PASACABLES	ANELLO PASSACAVO RING	TÜLLE CASQUILHO ISOLADOR	PASSE-FIL KABELDOORGANG	131A
19		PU05P01050P1		2	INSULATION, FOAM ESPUMA AISLANTE	SCHIUMA ISOLANTE SKUM ISOLERING	ISOLIERSCHAUM ESPUMA ISOLANTE	MOUSSE ISOLANTE ISOLATIESCHUIM	051S
20		PU05P01113P1		1	CLAMP GRAPON	MORSETTO CLAMP	KRAMPE BRACADEIRA	CRAMPON CLAMP	Z458

RADIATOR ASSY P/N PU05P00015F1

E18SR

RADIATOR - COMPONENTS
RADIATORE - COMPONENTI
KÜHLER - BESTANDTEILE
RADIATEUR - COMPOSANTS



0.003

02

p2

03/08

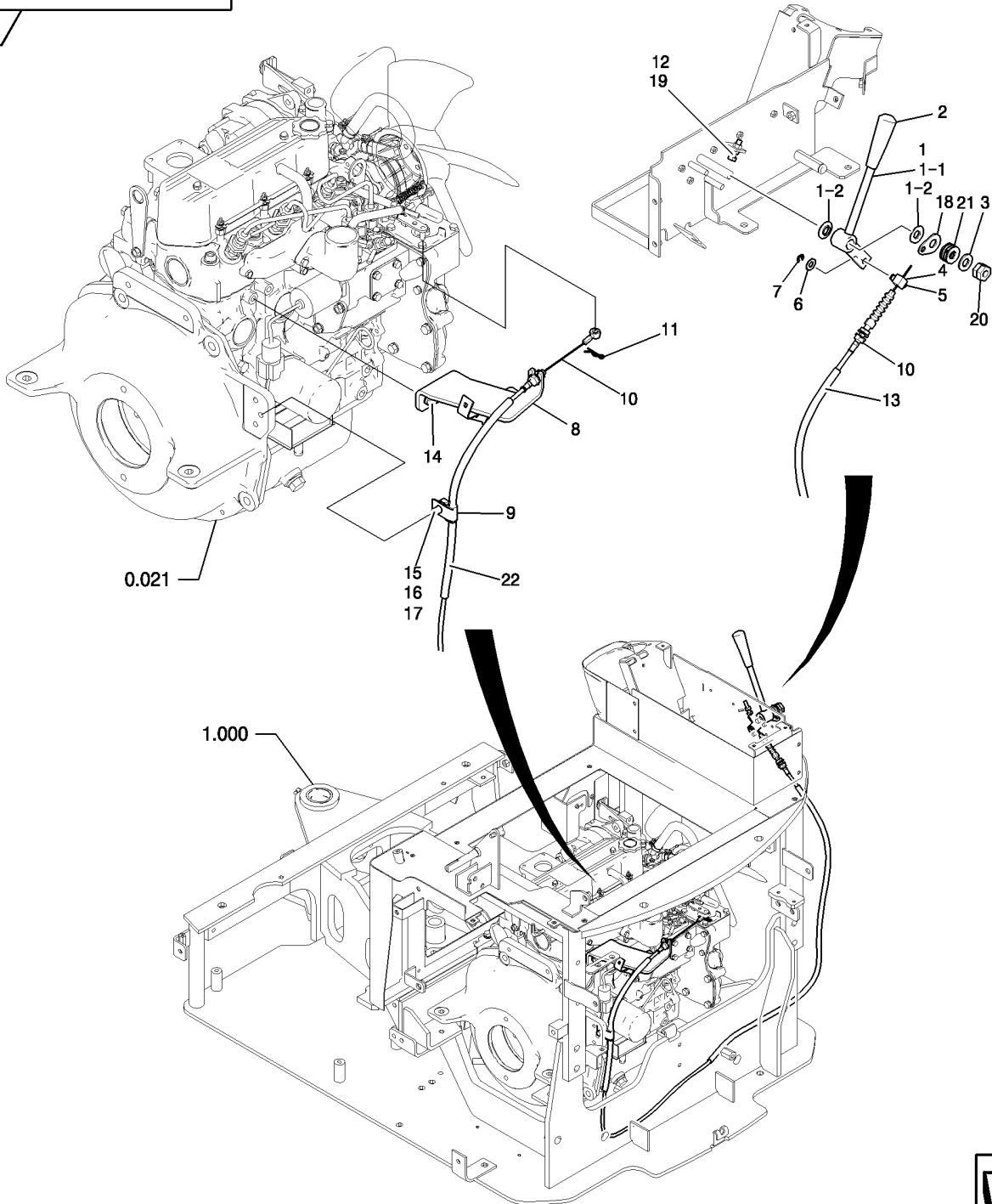
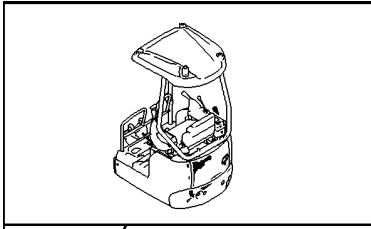
RADIADOR - COMPONENTES
 RADIATOR - COMPONENTS
 RADIATOR - COMPONENTS
 RADIATOR - COMPONENTS

R	N	P.N.	MOD	Q	Description Denominacion	Descrizione Beskrivelse	Bezeichnung Denominação	Description Beschrijving	L.C.
21		PU05P01114P1		1	CLAMP GRAPON	MORSETTO CLAMP	KRAMPE BRACADEIRA	CRAMPON CLAMP	Z458
22		{PU05P01149P1}		1					
23		YN21C01528DB		1	SEAL, RUBBER JUNTA DE CAUCHO	GUARNIZIONE DI GOMM GUMMITAETNING	GUMMIDICHTUNG JUNTAS	JOINT, CAOUTCHOUC DICHTING, RUBBER	122G
24		YR21C01168DK		1	SEAL, RUBBER JUNTA DE CAUCHO	GUARNIZIONE DI GOMM GUMMITAETNING	GUMMIDICHTUNG JUNTAS	JOINT, CAOUTCHOUC DICHTING, RUBBER	122G
25		YR21C01168DC		1	WEATHERSTRIP REBORDE DE GOMA	BORDINO DI GOMMA TÆTNINGSLISTE, GUMM	DICHTSTREIFEN BORRACHA DE PARABR	JOINT PAREBRISE RUBBEREN SLIJTSTRIP	105B
26		YJ21C01103D8		1	SEAL, RUBBER JUNTA DE CAUCHO	GUARNIZIONE DI GOMM GUMMITAETNING	GUMMIDICHTUNG JUNTAS	JOINT, CAOUTCHOUC DICHTING, RUBBER	122G
27		ZM73C06016		4	BOLT TORNILLO	BULLONE SKRUE	SCHRAUBE PARAFUSO	BOULON BOUT	140B
28		YR21C01168D9		1	SEAL, RUBBER JUNTA DE CAUCHO	GUARNIZIONE DI GOMM GUMMITAETNING	GUMMIDICHTUNG JUNTAS	JOINT, CAOUTCHOUC DICHTING, RUBBER	122G
30		PU05P01109P1		1	RUBBER CAUCHO	GOMMA RUBBER	GUMMI BORRACHA	CAOUTCHOUC RUBBER	P321
31		ZW16H08000		2	WASHER ARANDELA	ROSETTA PIANA FLADSKIVE	UNTERLEGSCHIEBE ANILHA	RONDELLE SLUITRING	131R
32		PU05P01158P1		2	SEAL, RUBBER JUNTA DE CAUCHO	GUARNIZIONE DI GOMM GUMMITAETNING	GUMMIDICHTUNG JUNTAS	JOINT, CAOUTCHOUC DICHTING, RUBBER	122G

RADIATOR ASSY P/N PU05P00015F1

E18SR

ENGINE ACCELERATOR CONTROLS
COMANDI ACCELERATORE MOTORE
GASREGULIERUNGSMOTOR
COMMANDES D'ACCELERATEUR DU RÉACTEUR

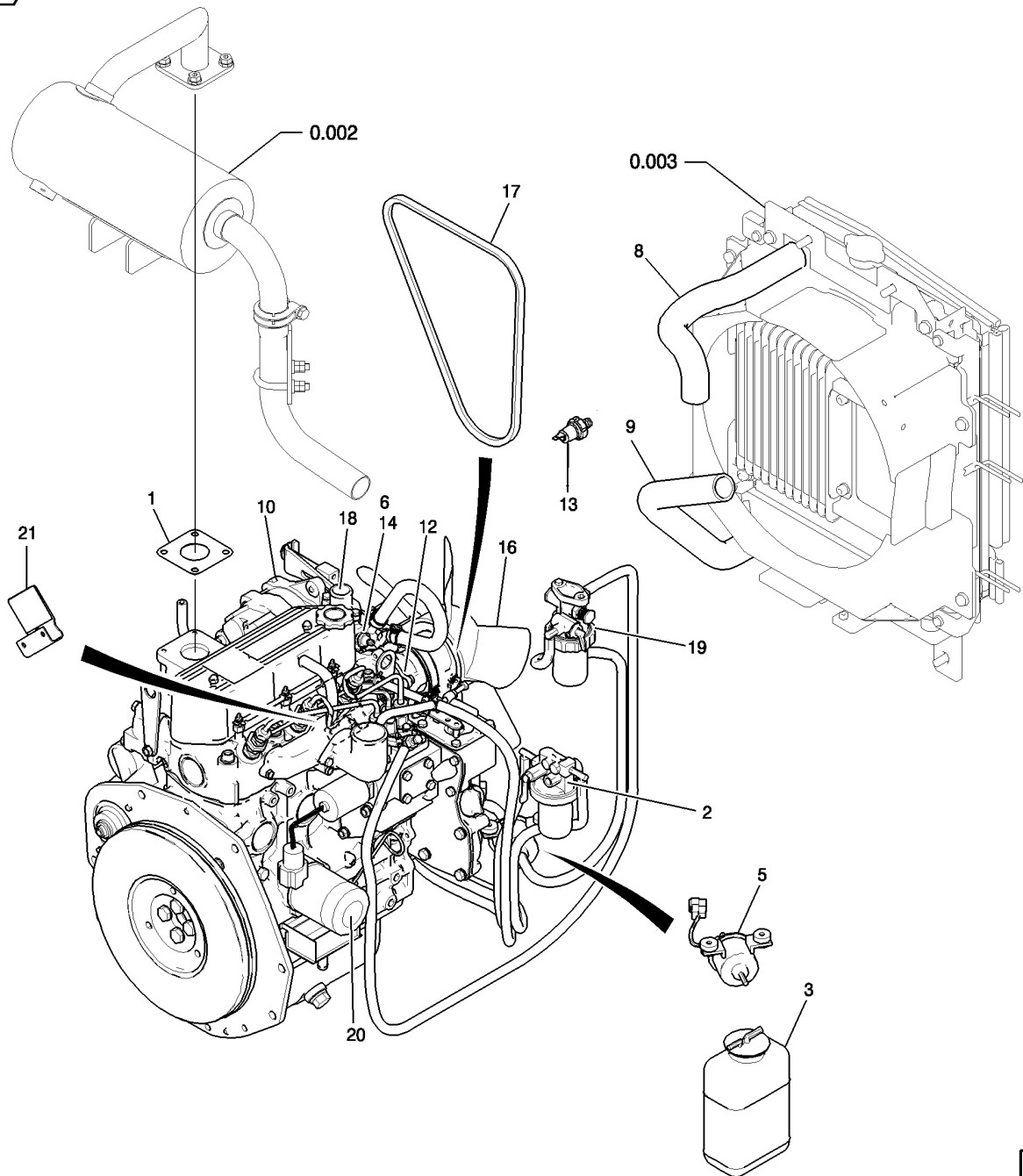
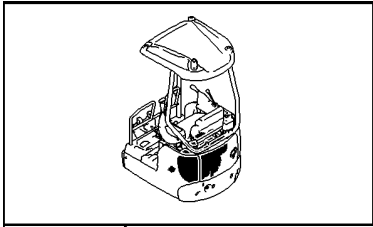


MANDOS DEL ACELERADOR MOTOR
ENGINE ACCELERATOR CONTROLS
ENGINE ACCELERATOR CONTROLS
ENGINE ACCELERATOR CONTROLS

R	N	P.N.	MOD	Q	Description Denominacion	Descrizione Beskrivelse	Bezeichnung Denominação	Description Beschrijving	L.C.
1		PU11M01035F1		1	LEVER PALANCA	LEVA HAANDTAG	HEBEL ALAVANCA	LEVIER HEFBOOM	045L
1-1		{PU11M01025P1}		1					
1-2		PM51M01026P1		2	BUSHING CASQUILLO	BOCCOLA BOESNING	BUECHSE CASQUILHO	BAGUE LAGERBUS	095B
2		PU11M01024P1		1	GRIP MANGO	IMPUGNATURA GREB	GRIFF MACANETA	POIGNEE DE MANETTE GRIP	4000
3		ZW16P12000		1	WASHER ARANDELA	ROSETTA PIANA FLADSKIVE	UNTERLEGSCHIEBE ANILHA	RONDELLE SLUITRING	131R
4		PW11M01109P2		1	PIN PERNO	PERNO STIFT	BOLZEN PERNO	AXE PEN	080P
5		ZS18C05010		1	SCREW TORNILLO	VITE SKRUE	SCHRAUBE PARAFUSO	VIS SCHROEF	040V
6		ZW16P08000		1	WASHER ARANDELA	ROSETTA PIANA FLADSKIVE	UNTERLEGSCHIEBE ANILHA	RONDELLE SLUITRING	131R
7		ZR36X00600		1	RING, SNAP ANILLO DE RESORTE	ANELLO ELASTICO LÅSERING	SPRENGRING ANEL	ANNEAU D'ARRÊT MUSKETONRING	054A
8		PU11M01030P1		1	BRACKET PIEZA DE SOPORTE	STAFFA BESLAG	KONSOLE BRACADEIRA	PATTE FIXATION STEUNBEUGEL	225S
9		EW02E01015D3		1	CLIP SUJETADOR	FERMAGLIO KLIPS	KLEMME FIXADOR	CLIP KLEM	045F
10		PU11M01033P1		1	CABLE CABLE	CAVO KABEL	KABEL CABO	CABLE KABEL	650C
11		2419R9D2		1	PIN, SPLIT (COTTER) PASADOR ABIERTO	COPPIGLIA SPLITBOLT	SPLINT TROCO DE ABRIR	GOUPILLE SPLITPEN	270C
12		ZN18C06005		1	NUT TUERCA	DADO MOETRIK	MUTTER PORCA	ECROU MOER	010D
13		PU06C01020D8		1	TUBE TUBO	TUBETTO RØR	ROHR TUBO	TUBE BUIJSJE	195T
14		ZM22C08020		2	BOLT TORNILLO	BULLONE SKRUE	SCHRAUBE PARAFUSO	BOULON BOUT	140B
15		ZS18C10016		1	SCREW TORNILLO	VITE SKRUE	SCHRAUBE PARAFUSO	VIS SCHROEF	040V
16		ZW16P10000		1	WASHER ARANDELA	ROSETTA PIANA FLADSKIVE	UNTERLEGSCHIEBE ANILHA	RONDELLE SLUITRING	131R
17		ZW26X10000		1	WASHER, LOCK ARANDELA DE FRENO	ROSETTA DI SICUREZZA LAAESKIVE	SICHERUNGSSCHIEBE ANILHA DE FIXACAO	RONDELLE FREIN VEERING	132R
18		PM51M01025P1		1	PLATE PLACA	PIASTRA PLADE	BLECH, PLATTE CHAPA	PLAQUE PLAAT	105P
19		ZS18C06025		1	SCREW TORNILLO	VITE SKRUE	SCHRAUBE PARAFUSO	VIS SCHROEF	040V
20		ZN17C12007		2	NUT TUERCA	DADO MOETRIK	MUTTER PORCA	ECROU MOER	010D
21		R16T0137D2		6	WASHER ARANDELA	ROSETTA PIANA FLADSKIVE	UNTERLEGSCHIEBE ANILHA	RONDELLE SLUITRING	131R
22		PE13E01034D5		1	TUBE TUBO	TUBETTO RØR	ROHR TUBO	TUBE BUIJSJE	195T

E18SR

ENGINE - DIESEL
MOTORE TERMICO - DIESEL
MOTOR - DIESEL
MOTEUR THERMIQUE - DIESEL

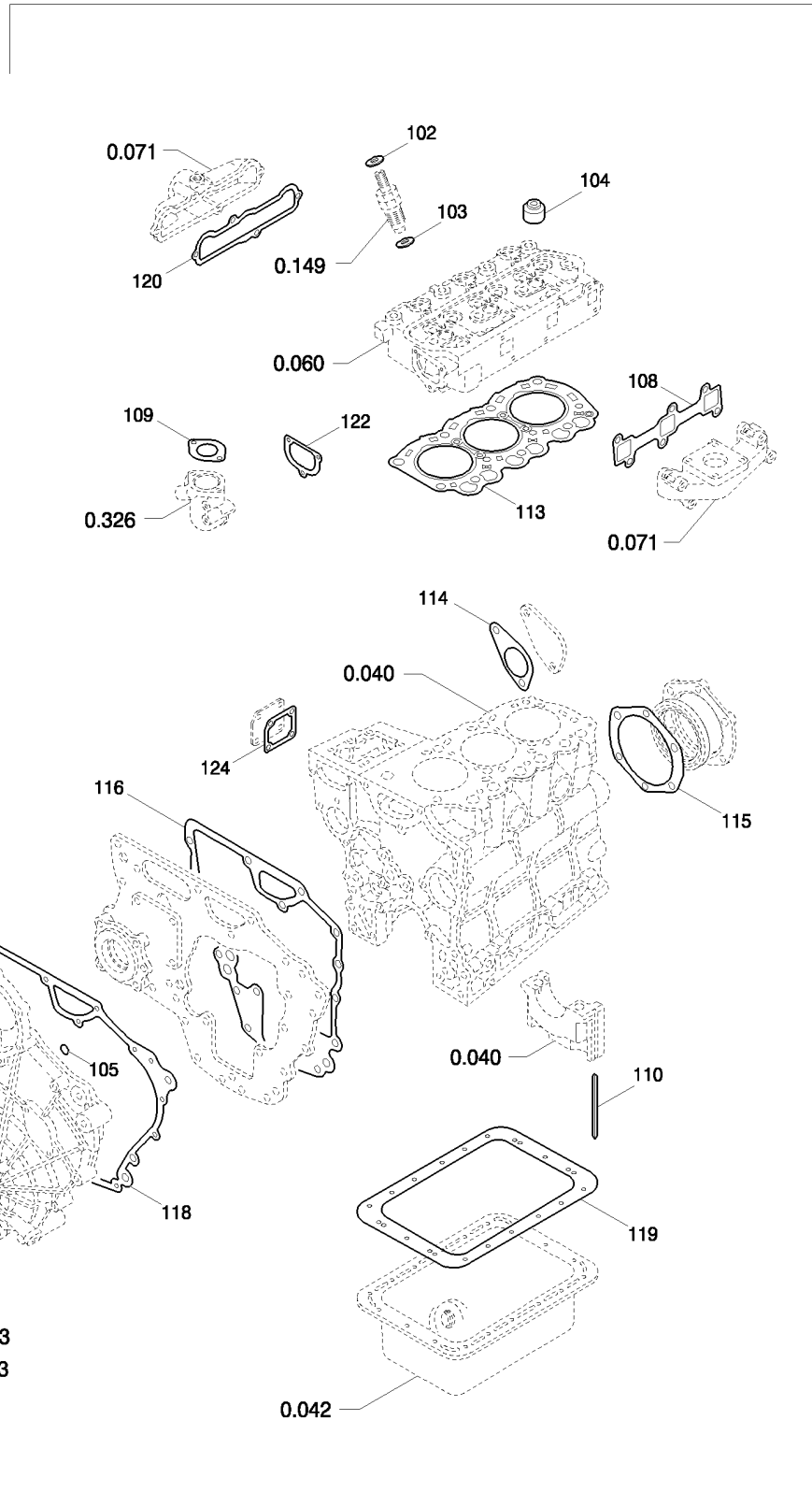
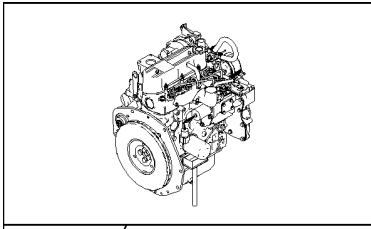


MOTOR - DIESEL
ENGINE - DIESEL
ENGINE - DIESEL
ENGINE - DIESEL

R	N	P.N.	MOD	Q	Description Denominacion	Descrizione Beskrivelse	Bezeichnung Denominação	Description Beschrijving	L.C.
1		PU12P01019P1		1	GASKET JUNTA HERMETICA	GUARNIZIONE PAKNING	DICHTUNG, FLACH JUNTA	JOINT DICHTINGSSTUK	123G
2		PU02P01026P1		1	SEPARATOR SEPARADOR	SEPARATORE KERNEUDSKILLER	SEPARATOR SEPARADOR	SEPARATEUR AFSCHEIDER	P062
3		PU05P01018F1		1	TANK DEPOSITO	SERBATOIO TANK	TANK DEPOSITO	RESERVOIR TANK	115S
5		PU22P00001P1		1	PUMP, FUEL BOMBA DE ALIMENTACI	POMPA DI ALIMENTAZIC BRAENDSTOFFPUMPE	KRAFTSTOFFPUMPE BOMBA DE COMBUSTIVI	POMPE D'ALIMENTATIOI BRANDSTOFFPOMP	154P
6		VA3063625901		1	GASKET JUNTA HERMETICA	GUARNIZIONE PAKNING	DICHTUNG, FLACH JUNTA	JOINT DICHTINGSSTUK	123G
8		PU05P01016P1		1	HOSE MANGA	MANICOTTO FLESSIBILE SLANGE	SCHLAUCH TUBO FLEXIVEL	FLEXIBLE FLEXIBELE BUIS	030M
9		PU05P01017P1		1	HOSE MANGA	MANICOTTO FLESSIBILE SLANGE	SCHLAUCH TUBO FLEXIVEL	FLEXIBLE FLEXIBELE BUIS	030M
10		VA30L6610500		1	MOTOR, STARTER MOTOR DE ARRANQUE	MOTORINO DI AVVIAMEI STARTMOTOR	STARTERMOTOR MOTOR ARRANQUE REC	DEMARREUR STARTMOTOR	133M
12		VA30A6800801		1	ALTERNATOR ALTERNADOR	ALTERNATORE VEKSELSTRØMSGENER	DREHSTROMGENERATC ALTERNADOR	ALTERNATEUR ALTERNATOR	025A
13		VA31A9000600		1	SWITCH ASSY INTERRUPTOR	INTERRUTTORE COMPL KONTAKT, KPL.	SCHALTEREINHEIT INTERRUPTOR	COMMUTATEUR COMPL SCHAKELAAR	067I
14		VAMM432104		1	SWITCH ASSY INTERRUPTOR	INTERRUTTORE COMPL KONTAKT, KPL.	SCHALTEREINHEIT INTERRUPTOR	COMMUTATEUR COMPL SCHAKELAAR	067I
16		VA30L4801200		1	FAN VENTILADOR	VENTILATORE VENTILATOR	LÜFTER VENTOINHA	VENTILATEUR VENTILATOR	030V
17		VAMD079696		1	BELT CORREA	CINGHIA REM	RIEMEN CORREIA	COURROIE RIEMEN	174C
18		VAMM43354801		1	THERMOSTAT TERMOSTATO	TERMOSTATO TERMOSTAT	THERMOSTAT TERMOSTATO	THERMOSTAT THERMOSTAAT	096T
19		PU21P01010P1		1	FILTER, FUEL FILTRO DE COMBUSTIBI	FILTRO COMBUSTIBILE BRAENDSTOFFFILTER	KRAFTSTOFFFILTER FILTRO DE COMBUSTIVI	FILTRE A COMBUSTIBLE BRANDSTOFFFILTER	064F
20		VA30A4000103		1	FILTER FILTRO	FILTRO FILTER	FILTER FILTRO	FILTRE FILTER	065F
21		PU05P01145P1		1	GUIDE GUIA	GUIDA STYR	FÜHRUNG GUIA	GUIDE GELEIDER	145G

E18SR

GASKET SET
KIT GUARNIZIONI
DICHTUNGSSATZ
KIT JOINTS



0.021

02

p1

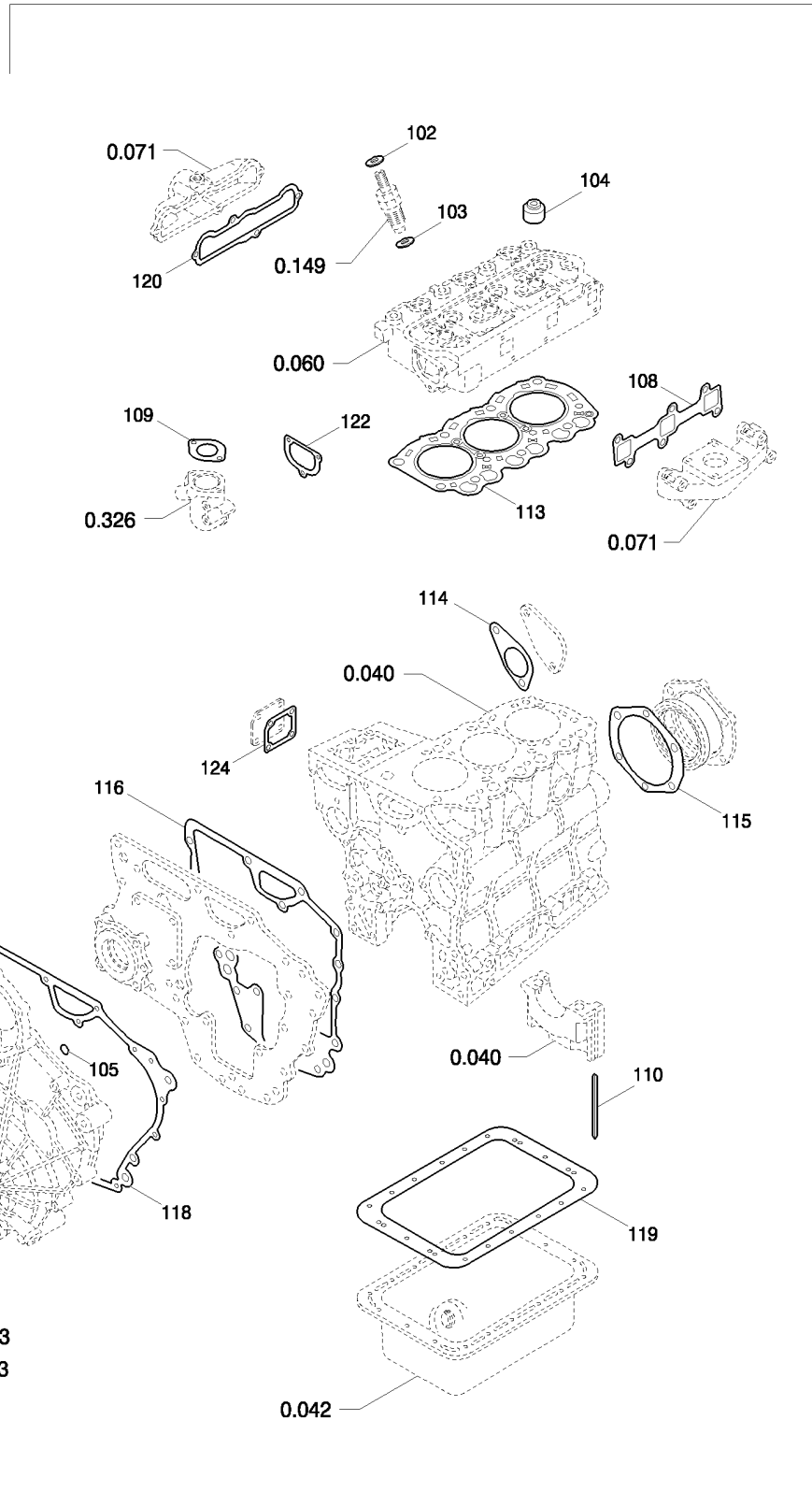
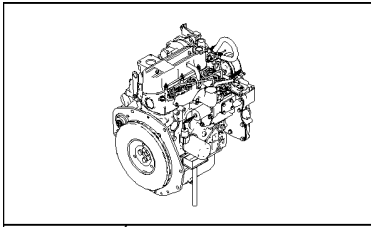
02/08

JUEGO GUARNICIONES
GASKET SET
GASKET SET
GASKET SET

R	N	P.N.	MOD	Q	Description Denominacion	Descrizione Beskrivelse	Bezeichnung Denominação	Description Beschrijving	L.C.
1		VA30L9406032		1	GASKET JUNTA HERMETICA	GUARNIZIONE PAKNING	DICHTUNG, FLACH JUNTA	JOINT DICHTINGSSTUK	123G
101		VAMD000312		2	GASKET JUNTA HERMETICA	GUARNIZIONE PAKNING	DICHTUNG, FLACH JUNTA	JOINT DICHTINGSSTUK	123G
102		VAMD068355		3	GASKET JUNTA HERMETICA	GUARNIZIONE PAKNING	DICHTUNG, FLACH JUNTA	JOINT DICHTINGSSTUK	123G
103		VAMD070717		3	GASKET JUNTA HERMETICA	GUARNIZIONE PAKNING	DICHTUNG, FLACH JUNTA	JOINT DICHTINGSSTUK	123G
104		VAMD115472		6	SEAL ANILLO DE CIERRE	ANELLO DI TENUTA PAKNINGSRING	DICHTUNG ANEL DE VEDACAO	JOINT DICHTINGSRING	132A
105		VAF315001100		2	O-RING JUNTA HERMETICA	ANELLO TOROIDALE O-RING	O-RING O-RING	JOINT THORIQUE O-RING	055A
106		VAMM404878		1	O-RING JUNTA HERMETICA	ANELLO TOROIDALE O-RING	O-RING O-RING	JOINT THORIQUE O-RING	055A
107		VAMM404881		1	O-RING JUNTA HERMETICA	ANELLO TOROIDALE O-RING	O-RING O-RING	JOINT THORIQUE O-RING	055A
108		VAMM43212901		1	GASKET JUNTA HERMETICA	GUARNIZIONE PAKNING	DICHTUNG, FLACH JUNTA	JOINT DICHTINGSSTUK	123G
109		VAMM43213502		1	GASKET JUNTA HERMETICA	GUARNIZIONE PAKNING	DICHTUNG, FLACH JUNTA	JOINT DICHTINGSSTUK	123G
110		VAMM432214		4	SEAL ANILLO DE CIERRE	ANELLO DI TENUTA PAKNINGSRING	DICHTUNG ANEL DE VEDACAO	JOINT DICHTINGSRING	132A
111		VA30A1100101		1	GASKET JUNTA HERMETICA	GUARNIZIONE PAKNING	DICHTUNG, FLACH JUNTA	JOINT DICHTINGSSTUK	123G
112		VA30A3000100		1	GASKET JUNTA HERMETICA	GUARNIZIONE PAKNING	DICHTUNG, FLACH JUNTA	JOINT DICHTINGSSTUK	123G
113		VA30L0101102		1	GASKET JUNTA HERMETICA	GUARNIZIONE PAKNING	DICHTUNG, FLACH JUNTA	JOINT DICHTINGSSTUK	123G
114		VA30L0705101		1	GASKET JUNTA HERMETICA	GUARNIZIONE PAKNING	DICHTUNG, FLACH JUNTA	JOINT DICHTINGSSTUK	123G
115		VA30L0705201		1	GASKET JUNTA HERMETICA	GUARNIZIONE PAKNING	DICHTUNG, FLACH JUNTA	JOINT DICHTINGSSTUK	123G
116		VA30L0705300		1	GASKET JUNTA HERMETICA	GUARNIZIONE PAKNING	DICHTUNG, FLACH JUNTA	JOINT DICHTINGSSTUK	123G
117		VA30L1101201		1	GASKET JUNTA HERMETICA	GUARNIZIONE PAKNING	DICHTUNG, FLACH JUNTA	JOINT DICHTINGSSTUK	123G
118		VA30L1105101		1	GASKET JUNTA HERMETICA	GUARNIZIONE PAKNING	DICHTUNG, FLACH JUNTA	JOINT DICHTINGSSTUK	123G
119		VA30L1305200		1	GASKET JUNTA HERMETICA	GUARNIZIONE PAKNING	DICHTUNG, FLACH JUNTA	JOINT DICHTINGSSTUK	123G
120		VA30L3005201		1	GASKET JUNTA HERMETICA	GUARNIZIONE PAKNING	DICHTUNG, FLACH JUNTA	JOINT DICHTINGSSTUK	123G
121		VA30L4505101		1	GASKET JUNTA HERMETICA	GUARNIZIONE PAKNING	DICHTUNG, FLACH JUNTA	JOINT DICHTINGSSTUK	123G
122		VA30L4605100		1	GASKET JUNTA HERMETICA	GUARNIZIONE PAKNING	DICHTUNG, FLACH JUNTA	JOINT DICHTINGSSTUK	123G
123		VA30L6305101		1	GASKET JUNTA HERMETICA	GUARNIZIONE PAKNING	DICHTUNG, FLACH JUNTA	JOINT DICHTINGSSTUK	123G

E18SR

GASKET SET
KIT GUARNIZIONI
DICHTUNGSSATZ
KIT JOINTS



0.021

02

p2

02/08

JUEGO GUARNICIONES
GASKET SET
GASKET SET
GASKET SET

R	N	P.N.	MOD	Q	Description Denominacion	Descrizione Beskrivelse	Bezeichnung Denominação	Description Beschrijving	L.C.
124		VA30L6305201		1	GASKET JUNTA HERMETICA	GUARNIZIONE PAKNING	DICHTUNG, FLACH JUNTA	JOINT DICHTINGSSTUK	123G
125		VA3063625901		1	GASKET JUNTA HERMETICA	GUARNIZIONE PAKNING	DICHTUNG, FLACH JUNTA	JOINT DICHTINGSSTUK	123G

E18SR

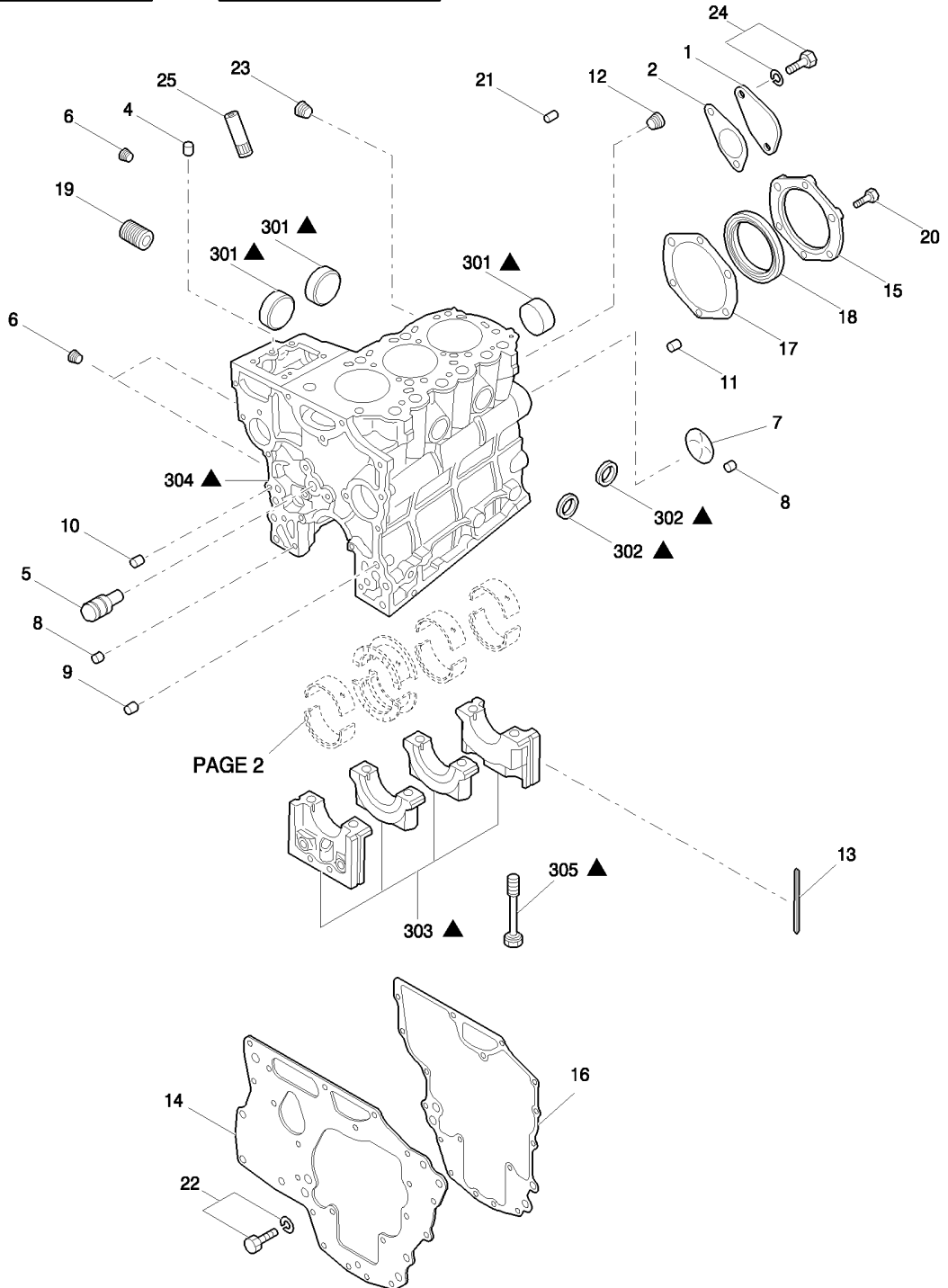
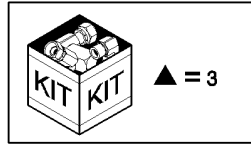
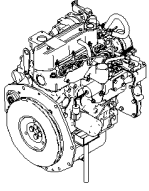
0.040

01

p1

02/08

CRANKCASE
BASAMENTO MOTORE
KURBELGEHAUSE
BLOC CYLINDRE



BLOQUE CILINDROS
CRANKCASE
CRANKCASE
CRANKCASE

R	N	P.N.	MOD	Q	Description Denominacion	Descrizione Beskrivelse	Bezeichnung Denominação	Description Beschrijving	L.C.
1		VAMM432677		1	COVER TAPADERA	COPERCHIO DÆKSEL	ABDECKUNGIII COBERTA	COUVERCLE DEKSEL	265C
2		VA30L0705101		1	GASKET JUNTA HERMETICA	GUARNIZIONE PAKNING	DICHTUNG, FLACH JUNTA	JOINT DICHTINGSSTUK	123G
3		VAMM43265005		1	CYLINDER BLOCK BLOQUE DE CILINDROS	BASAMENTO MOTORE KRUMTAPHUS	KURBELGEHAEUSE BLOCO DE MOTOR	BLOC MOTEUR MOTORBLOK	020B
301		VAMD000427		3	PLUG TAPÓN	TAPPO PROP	STOPFEN BUJAO	BOUCHON PLUG	050T
302		VAF501425000		2	SEAL ANILLO DE CIERRE	ANELLO DI TENUTA PAKNINGSRING	DICHTUNG ANEL DE VEDACAO	JOINT DICHTINGSRING	132A
303		NS		1	NOT SERVICED NO SE REPARA	NON GESTITO NOT SERVICED	KEIN ERSATZTEIL NOT SERVICED	NON FOURNI NIET GESTOCKEERD	061N
304		NS		1	NOT SERVICED NO SE REPARA	NON GESTITO NOT SERVICED	KEIN ERSATZTEIL NOT SERVICED	NON FOURNI NIET GESTOCKEERD	061N
305		VA30L0701100		8	BOLT TORNILLO	BULLONE SKRUE	SCHRAUBE PARAFUSO	BOULON BOUT	140B
4		VAMM409645		2	DOWEL PITON	GRANO DYVEL	ZENTRIERBOLZENII GUIA	PION STEL PEN	090G
5		VA30L0700600		1	SHAFT, IDLE ARBOL DE REENVIO	ALBERO DI RINVIO MELLEMAKSEL	ZWISCHENWELLEII VEIO INTERMEDIO	ARBRE DE RENVOI LOOPAS	009A
6		VA30L0701800		3	PLUG TAPÓN	TAPPO PROP	STOPFEN BUJAO	BOUCHON PLUG	050T
7		VAF501035000		1	PLUG TAPÓN	TAPPO PROP	STOPFEN BUJAO	BOUCHON PLUG	050T
8		VAMS471101		2	KNOCKER EJECTOR	EIETTORE EJEKTOR	AUSWERFER MARTELO EJECTOR	EJECTEUR STOTER	4855
9		VAMS471102		1	KNOCKER EJECTOR	EIETTORE EJEKTOR	AUSWERFER MARTELO EJECTOR	EJECTEUR STOTER	4855
10		VAMS471105		2	BUSHING CASQUILLO	BOCCOLA BOESNING	BUECHSE CASQUILHO	BAGUE LAGERBUS	095B
11		VAMS471107		3	BUSHING CASQUILLO	BOCCOLA BOESNING	BUECHSE CASQUILHO	BAGUE LAGERBUS	095B
12		VAMS661141		1	PLUG TAPÓN	TAPPO PROP	STOPFEN BUJAO	BOUCHON PLUG	050T
13		VAMM432214		4	SEAL ANILLO DE CIERRE	ANELLO DI TENUTA PAKNINGSRING	DICHTUNG ANEL DE VEDACAO	JOINT DICHTINGSRING	132A
14		VA30L0701200		1	PLATE PLACA	PIASTRA PLADE	BLECH, PLATTEII CHAPA	PLAQUE PLAAT	105P
15		VAMM432065		1	SEAL, OIL JUNTA DE ACEITE	PARAOLIO OLIESEGL	ÖLDICHTUNG VEDADOR DE OLEO	JOINT D'HUILE OIL-SEAL	P278
16		VA30L0705300		1	GASKET JUNTA HERMETICA	GUARNIZIONE PAKNING	DICHTUNG, FLACH JUNTA	JOINT DICHTINGSSTUK	123G
17		VA30L0705201		1	GASKET JUNTA HERMETICA	GUARNIZIONE PAKNING	DICHTUNG, FLACH JUNTA	JOINT DICHTINGSSTUK	123G
18		VAMD016317		1	SEAL, OIL JUNTA DE ACEITE	PARAOLIO OLIESEGL	ÖLDICHTUNG VEDADOR DE OLEO	JOINT D'HUILE OIL-SEAL	P278
19		VA30L0700700		1	SHAFT EJE	ALBERO AKSEL	WELLE VEIO	ARBRE AS	016A

E18SR

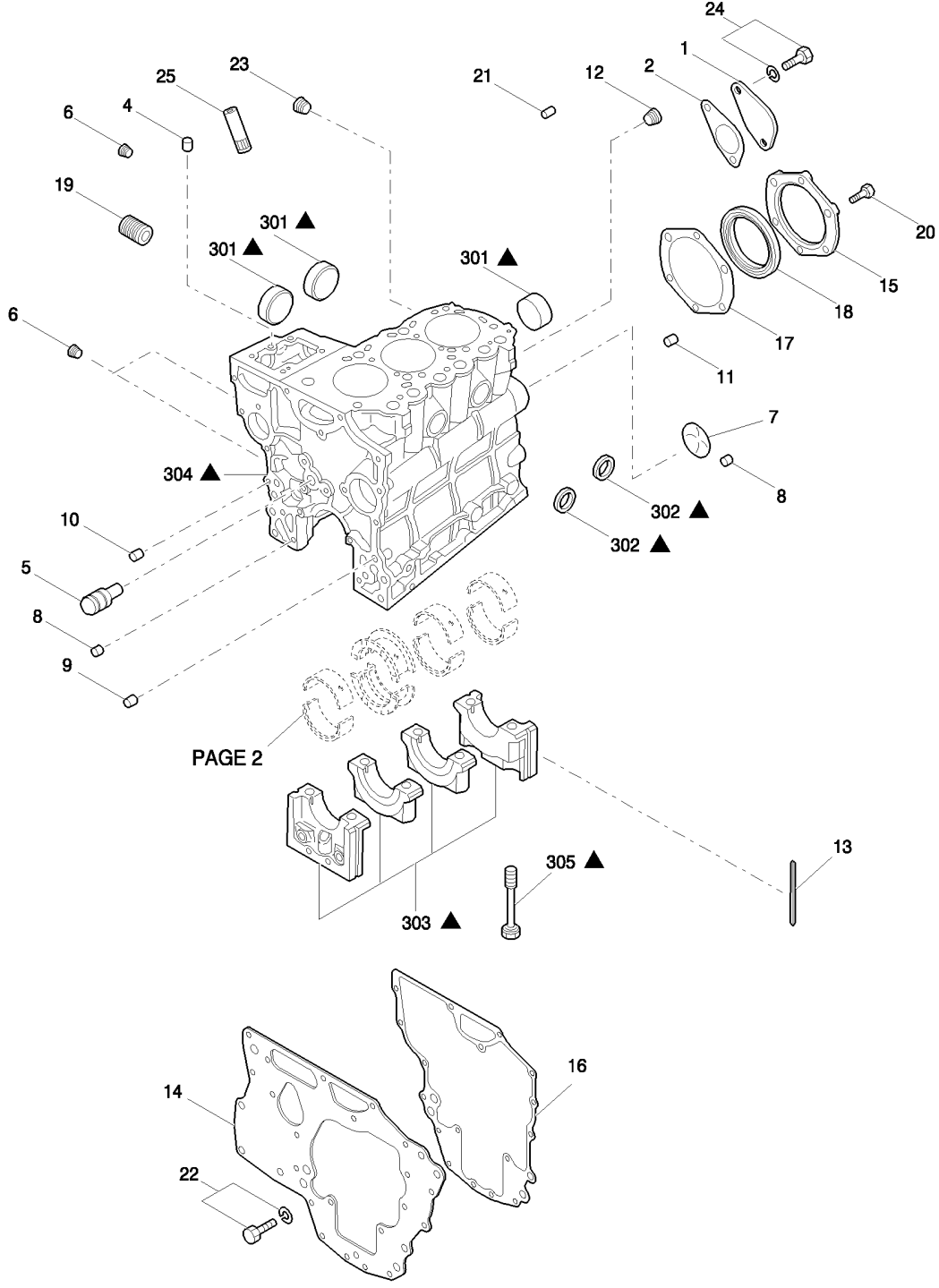
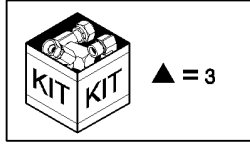
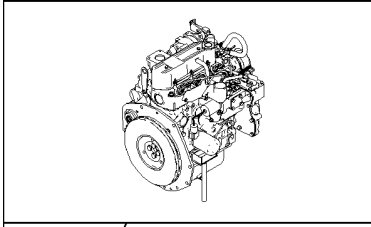
0.040

01

p2

02/08

CRANKCASE
BASAMENTO MOTORE
KURBELGEHAUSE
BLOC CYLINDRE



BUY NOW

**Then Instant Download
the Complete Manual
Thank you very much!**