

PARTS CATALOG

Product Line

**CATALOGO PARTI
DI RICAMBIO**

Model E27.2SR

**CATALOGUE DES PIECES
DETACHEES**

ERSATZTEILKATALOG

**CATÁLOGO DES PIEZAS
DE REPUESTO**

**CATÁLOGO DE PEÇAS
SOBRESSALENTES**

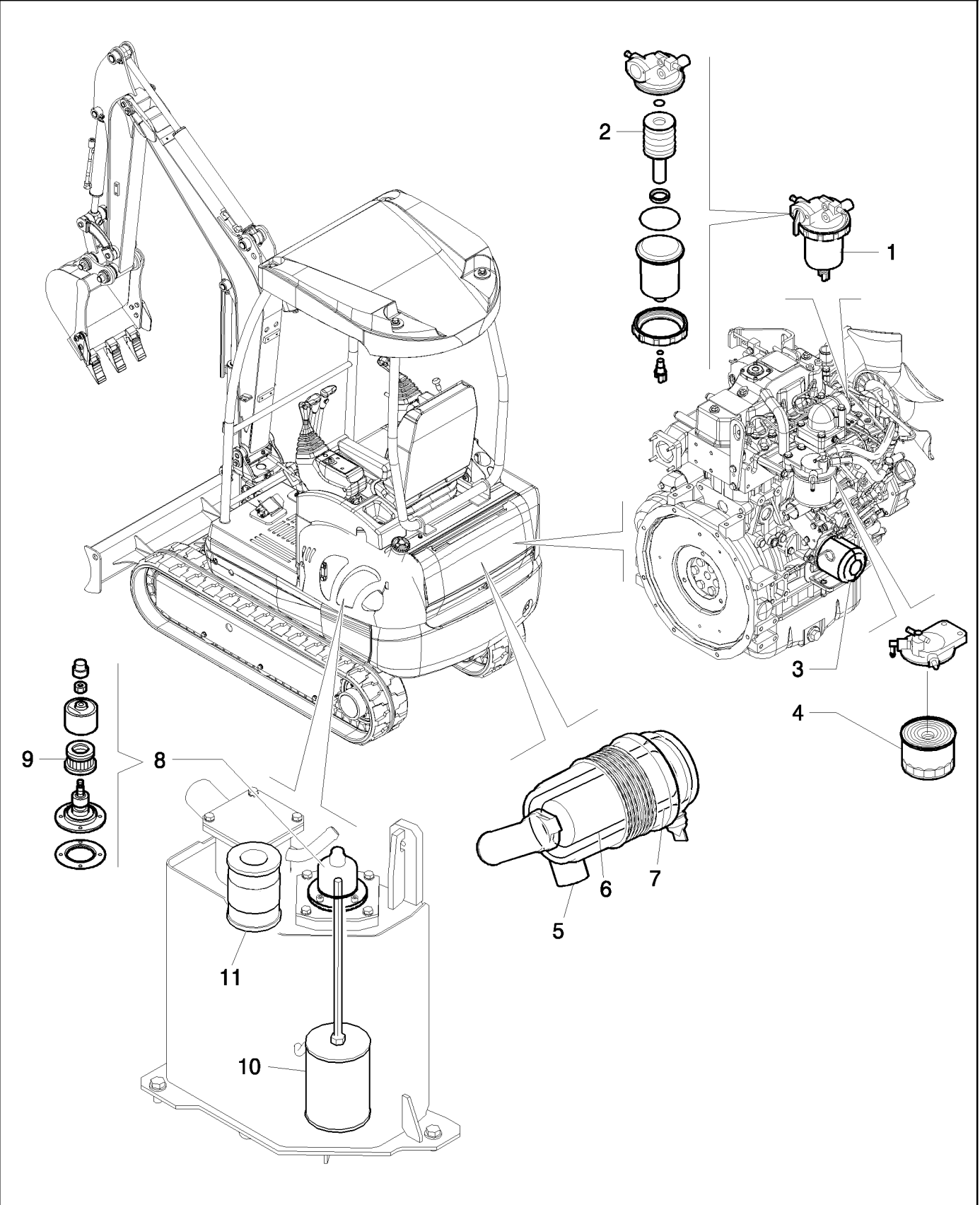
ONDERDELENLIJST

RESERVEDELSKATALOG

CATALOGUE n. 604.04.328.00
3rd Edition 12 - 2007

 **NEW HOLLAND**

MAINTENANCE PARTS
PARTICOLARI PER LA MANUTENZIONE
ERSATZTEILEN FUER DER WARTUNG
PIECES POUR L'ENTRETIEN



0.000

00

p1

09/07

REPUESTOS POUR MANUTENCION
 MAINTENANCE PARTS
 MAINTENANCE PARTS
 MAINTENANCE PARTS

R	N	P.N.	MOD	Q	Description Denominacion	Descrizione Beskrivelse	Bezeichnung Denominação	Description Beschrijving	L.C.
1	1	72280600		1	SEPARATOR SEPARADOR	SEPARATORE KERNEUDSKILLER	SEPARATOR SEPARADOR	SEPARATEUR AFSCHEIDER	P062
2	1	72280430		1	FILTER, COOLANT FILTRO REFRIGERANTE	LIQUIDO REFRIGERANT FILTER, KØLEMIDDEL	KÜHLMITTELFILTER(1) FILTRO REFRIGERANTE	FILTRE REFRIGERANT FILTER, KOELVLOEISTO	081F
3		72285425		1	FILTER, ENGINE OIL FILTRO DE ACEITE	FILTRO OLIO MOTORE OLIEFILTER	MOTORÖLFILTER FILTRO DE OLEO	FILTRE A HUILE MOTEU OLIEFILTER	067F
4	1	72280422		1	FILTER, FUEL FILTRO DE COMBUSTIBI	FILTRO COMBUSTIBILE BRAENDSTOFFFILTER	KRAFTSTOFFFILTER(1) FILTRO DE COMBUSTIVI	FILTRE A COMBUSTIBLE BRANDSTOFFFILTER	064F
5	2	87617411		1	AIR CLEANER DEPURADOR	DEPURATORE LUFTFILTER	LUFTFILTER(1) DEPURADOR	FILTER A AIR LUCHTREINIGER	021D
6	2	72285862		1	ELEMENT ELEMENTO	ELEMENTO ELEMENT	FILTERELEMENT(1) ELEMENTO	ELÉMENT ELEMENT	Z483
7	2	87643355		1	AIR CLEANER DEPURADOR	DEPURATORE LUFTFILTER	LUFTFILTER(1) DEPURADOR	FILTER A AIR LUCHTREINIGER	021D
8	3	72284639		1	PLUG TAPÓN	TAPPO PROP	STOPFEN BUJAO	BOUCHON PLUG	050T
9	3	72281517		1	BREATHER RESPIRADERO	SFIATATOIO UDLUFTNINGSSKRUE	ENTLÜFTER(1) RESPIRADOR	RENIFLARD ONTLUCHTER	145S
10	3	87350777		1	STRAINER, ELEMENT TAMIZ DE ALCACHOFA	ELEMENTO FILTRANTE ELEMENTSI	SIEBEINSATZ(1) TAMIZ DE ALCACHOFA	TAMIS DE CRÉPINE STRAINER, ELEMENT	8600
11		72285860		1	FILTER FILTRO	FILTRO FILTER	FILTER FILTRO	FILTRE FILTER	065F

(1) See Page 0.021 - 0.203

(2) See Page 0.001A

(3) See Page 1.020 02

E27.2SR

TABLE OF CONTENTS

0 - VERSION	00	IDENTIFICATION AND VERSION LIST
0.000	00	MAINTENANCE PARTS
0.000	01	ENGINE INSTALLATIONS
0.001	01	AIR CLEANER
0.001A	01	AIR CLEANER
0.002	01	MUFFLER
0.003	01	RADIATOR - INSTAL
0.003	02	RADIATOR
0.003	03	RADIATOR
0.003	04	RADIATOR - COMPONENTS
0.004	01	CONTROL ASSY ENGINE (WITH DECEL)
0.004A	01	LEVER ASSY THROTTLE - COMPONENTS
0.004B	01	LINK ASSY - COMPONENTS
0.004C	1	MOTOR GOVERNOR ASSY - COMPONENTS
0.004D	1	BRACKET ASSY - COMPONENTS
0.021	01	DIESEL ENGINE - KIT
0.021	02	GASKET SET
0.040	01	CRANKCASE
0.042	01	FLYWHEEL HOUSING & OIL SUMP
0.043	01	CRANKCASE COVERS
0.060	01	CYLINDER HEAD & BONNET
0.071	01	INTAKE MANIFOLD
0.077	1	EXHAUST MANIFOLD
0.080	01	CRANKSHAFT & DRIVING GEAR
0.081	01	CRANKSHAFT & PISTON
0.140	01	FUEL INJECTION PUMP
0.149	01	FUEL INJECTION VALVE - PIPING
0.203	01	FUEL LINE
0.305	01	LUB OIL SYSTEM
0.323	01	ENGINE COOLING SYSTEM
0.360	01	STARTER MOTOR
0.400	01	CURRENT GENERATOR
1.000	01	UPPER FRAME
1.000	02	COUNTERWEIGHT INSTALLATION
1.010	01	FUEL TANK
1.010	02	FUEL TANK PIPING - CABINA
1.010	03	FUEL TANK PIPING - CANOPY
1.010	04	FUEL LINES
1.020	01	INSTALLATION OIL TANK
1.020	02	OIL TANK (NIBBLER & BREAKER)
1.030	01	POWER TAKE OFF ASSY
1.030A	01	HYDRAULIC PUMP - COMPONENTS
1.030A	02	HYDRAULIC PUMP - COMPONENTS
1.030A	03	HYDRAULIC PUMP - COMPONENTS
1.030A	04	HYDRAULIC PUMP - COMPONENTS
1.030A	05	HYDRAULIC PUMP - COMPONENTS
1.035	01	CYLINDER SWING INSTAL
1.035	02	HYD LINES CYLINDER SWING
1.035	03	LUBRIFICATION LINES
1.035A	01	CYLINDER ASSY, SWING - COMPONENTS
1.040	01	SLEW HYDRAULIC MOTOR
1.040A	01	SLEW MOTOR - COMPONENTS
1.040A	02	SLEW MOTOR - COMPONENTS
1.040A	03	SLEW MOTOR - COMPONENTS
1.040A	04	SWING GEARMOTOR - COMPONENTS

TABLE OF CONTENTS

1.050	01	CONTROL VALVE
1.050	02	HYD LINES MAIN
1.050	03	PUMP HYD LINES
1.050	04	HYD LINES CONTROL VALVE
1.050	05	HYD LINES RETURN
1.050A	01	HYDRAULIC CONTROL VALVE - COMPONENTS
1.050A	02	HYDRAULIC CONTROL VALVE - COMPONENTS (DOZER)
1.050A	03	HYDRAULIC CONTROL VALVE - COMPONENTS (SWING)
1.050A	04	HYDRAULIC CONTROL VALVE - COMPONENTS (SUPPLY & STRAIGHT TRAVEL)
1.050A	05	HYDRAULIC CONTROL VALVE - COMPONENTS (ARM)
1.050A	06	HYDRAULIC CONTROL VALVE - COMPONENTS (SERVICE)
1.050A	07	HYDRAULIC CONTROL VALVE - COMPONENTS (BOOM SWING)
1.050A	08	HYDRAULIC CONTROL VALVE - COMPONENTS (TRAVEL R/H)
1.050A	09	HYDRAULIC CONTROL VALVE - COMPONENTS (INLET)
1.050A	10	HYDRAULIC CONTROL VALVE - COMPONENTS (TRAVEL L/H)
1.050A	11	HYDRAULIC CONTROL VALVE - COMPONENTS (BOOM)
1.050A	12	HYDRAULIC CONTROL VALVE - COMPONENTS
1.050A	13	HYDRAULIC CONTROL VALVE - COMPONENTS (BUCKET)
1.050B	01	HYDRAULIC CONTROL VALVE - COMPONENTS (RELIEF VALVE)
1.050C	01	HYDRAULIC CONTROL VALVE - COMPONENTS (VALVE)
1.050D	01	SELECTOR VALVE - COMPONENTS
1.070	01	CONTROLS OPERATORS
1.070	02	CONTROL OPERATORS - CONTROL BOX
1.070	02A	CONTROL OPERATORS - CONTROL BOX
1.070	03	CONTROL OPERATORS - CAB
1.070	04	CONTROL OPERATORS - CANOPY
1.070	05	CONTROL OPERATORS - STAND ASSY
1.070	06	CONTROL OPERATORS - STAND ASSY
1.070	07	CONTROL OPERATORS - PEDAL INSTAL
1.070	08	LEVER ASSY CONTROL
1.070	09	CONTROL ASSY - GRIP ASSY
1.070	10	CONTROL OPERATOR - KEY
1.070	10A	CONTROL OPERATOR - KEY
1.070	11	CONTROL OPERATORS - SOCKET
1.070	12	CONTROL OPERATORS - COVER ASSY
1.070	13	CONTROL OPERATOR
1.080	01	POWER STEERING CONTROL LINES MAIN (NIBBLER & BREAKER)
1.080	02	POWER STEERING CONTROL LINES (NIBBLER & BREAKER)
1.080	03	CONTROL LINES (DOZER)
1.080	04	CONTROL LINES
1.080	05	VALVE PILOT - INSTAL
1.080	06	CONTROL LINES PROPEL
1.080	07	CONTROL LINES
1.080A	01	PILOT VALVE - COMPONENTS
1.080B	01	PILOT VALVE CONTROL PEDAL
1.080C	01	PILOT VALVE CONTROL MANIPULATOR - COMPONENTS
1.080D	01	BRACKET ASSY - COMPONENTS
1.220	01	ELECTRIC SYSTEM - BATTERY
1.220	02	ELECTRIC SYSTEM - WORKING LIGHT (CAB)
1.220	03	ELECTRIC SYSTEM - WORKING LIGHT (CANOPY)
1.220	04	ELECTRIC SYSTEM - WORKING LIGHT
1.220	04A	ELECTRIC SYSTEM - WORKING LIGHT
1.220	05	ELECTRIC SYSTEM - WORKING LIGHT
1.220	06	ELECTRIC SYSTEM - HARNESS CAB
1.220	07	ELECTRIC SYSTEM - ENGINE HARNESS

TABLE OF CONTENTS

1.220	08	ELECTRIC SYSTEM CHASSIS UPPER
1.220	09	ELECTRIC SYSTEM - RELÈ BOX
1.220	09A	ELECTRIC SYSTEM - RELÈ BOX
1.220A	01	WORKING LIGHT - COMPONENTS
1.220B	01	WORKING LIGHT - COMPONENTS
1.220C	01	RELAY ASSY - COMPONENTS
1.220C	01A	RELAY ASSY - COMPONENTS
1.220D	01	FUSE ASSY - COMPONENTS
1.250	01	CANOPY
1.250	02	CANOPY - INSTAL
1.250	03	CANOPY - UPPER BOX
1.250	04	CAB
1.250	05	CAB - INSTAL
1.250	06	CAB
1.250	07	SEAT INSTAL
1.250	07A	SEAT INSTAL
1.250	08	OPERATOR'S SEAT - CANOPY
1.250	09	OPERATOR'S SEAT - CAB
1.250	10	RADIO - INSTAL (RADIO LESS)
1.250A	01	OPERATOR'S SEAT - COMPONENTS CANOPY
1.250A	01A	OPERATOR'S SEAT - COMPONENTS CANOPY
1.250A	02	OPERATOR'S SEAT - COMPONENTS CAB
1.250A	02A	OPERATOR'S SEAT - COMPONENTS CAB
1.250B	01	CAB
1.250B	02	CAB
1.250B	03	CAB
1.250B	04	CAB
1.250B	05	CAB
1.250B	06	CAB
1.250B	07	CAB
1.250B	08	CAB
1.270	01	FLOOR - CAB (CAB)
1.270	02	FLOOR - CAB (CANOPY)
1.280	01	HEATING (WITH HEATER)
1.280	01A	HEATING (WITH HEATER)
1.280	02	HEATING (WITHOUT HEATER)
1.280	02A	HEATING (WITHOUT HEATER)
1.300	01	GUARDS - CANOPY
1.300	02	GUARDS - CANOPY
1.300	03	GUARDS - CAB
1.300	04	GUARDS - CAB
1.300	05	GUARDS
1.300	06	GUARDS
1.300	07	GUARDS
1.300	08	GUARDS
1.300	09	GUARDS
1.300	10	GUARDS
1.300	11	GUARDS
1.300	12	GUARDS
1.300	13	GUARDS
1.300	14	GUARDS
1.300	15	GUARDS - COVER ASSY UNDER
2.000	01	BOOM (2.15M)
2.000	02	BOOM ASSEMBLY
2.000	03	BOOM ASSEMBLY

TABLE OF CONTENTS

2.000	04	LINES BOOM - STD
2.000	05	HYD LINES BOOM - N&B
2.003	01	ARM ASSEMBLY
2.003	02	ARM ASSEMBLY - STD
2.006	01	SWING BRACKET SUPPORT
2.006	01A	SWING BRACKET SUPPORT
2.006	02	SWING BRACKET SUPPORT
2.010	01	BOOM CYLINDER ASSEMBLY (CAB)
2.010	02	BOOM CYLINDER ASSEMBLY (CANOPY)
2.010	03	BOOM CYLINDER LINES
2.010	03A	BOOM CYLINDER LINES
2.010A	01	BOOM CYLINDER - CAB
2.010A	01A	BOOM CYLINDER - CAB
2.010B	01	BOOM CYLINDER - CANOPY
2.010B	01A	BOOM CYLINDER - CANOPY
2.020	01	ARM CYLINDER ASSEMBLY
2.020	02	ARM CYLINDER LINES
2.020	02A	ARM CYLINDER LINES
2.020A	01	ARM CYLINDER
2.030	01	BUCKET CYLINDER ASSEMBLY
2.030	03	BUCKET CYLINDER LINES
2.030A	01	BUCKET CYLINDER
2.050	01	BUCKET INSTALLATION
3.000	01	LOWER FRAME
3.000	02	LOWER FRAME - RING SLEWING
3.010	01	MOTOR PROPEL
3.010	02	TRAVEL MOTOR LINES
3.010A	01	MOTOR PROPEL - COMPONENTS
3.010A	02	MOTOR PROPEL - COMPONENTS
3.010A	03	MOTOR PROPEL - COMPONENTS
3.020	01	IDLER ADJUSTER CRAWLERS
3.020	02	IDLER ADJUSTER CRAWLERS LH
3.020	03	IDLER ADJUSTER CRAWLERS RH
3.020A	01	IDLER ASSY - COMPONENTS
3.020B	01	IDLER ASSY LH
3.020C	01	IDLER ASSY RH
3.030	01	RULLER UPPER - COMPONENTS
3.040	01	TRACK ROLLER
3.050	01	DOZER
3.050	02	DOZER BLADE ASSEMBLY
3.050	03	DOZER BLADE ASSEMBLY
3.051	01	DOZER BLADE CYLINDER ASSEMBLY
3.051	02	DOZER BLADE CYLINDER LINES
3.051A	01	DOZER CILINDER - COMPONENTS
3.060	01	JOINT ASSY, SWIVEL
3.060	02	SWIVEL JOINT HYD.LINES
3.060	03	SWIVEL JOINT LINES
3.060A	01	JOINT ASSY, SWIVEL - COMPONENTS
3.070	01	LOWER FRAME LINES
4.200	01	TOOLS KIT
4.520	01	DECALS - CANOPY
4.520	02	DECALS - CANOPY
4.520	03	DECALS - CANOPY
4.520	04	DECALS - CANOPY
4.520	05	DECALS - CAB

TABLE OF CONTENTS

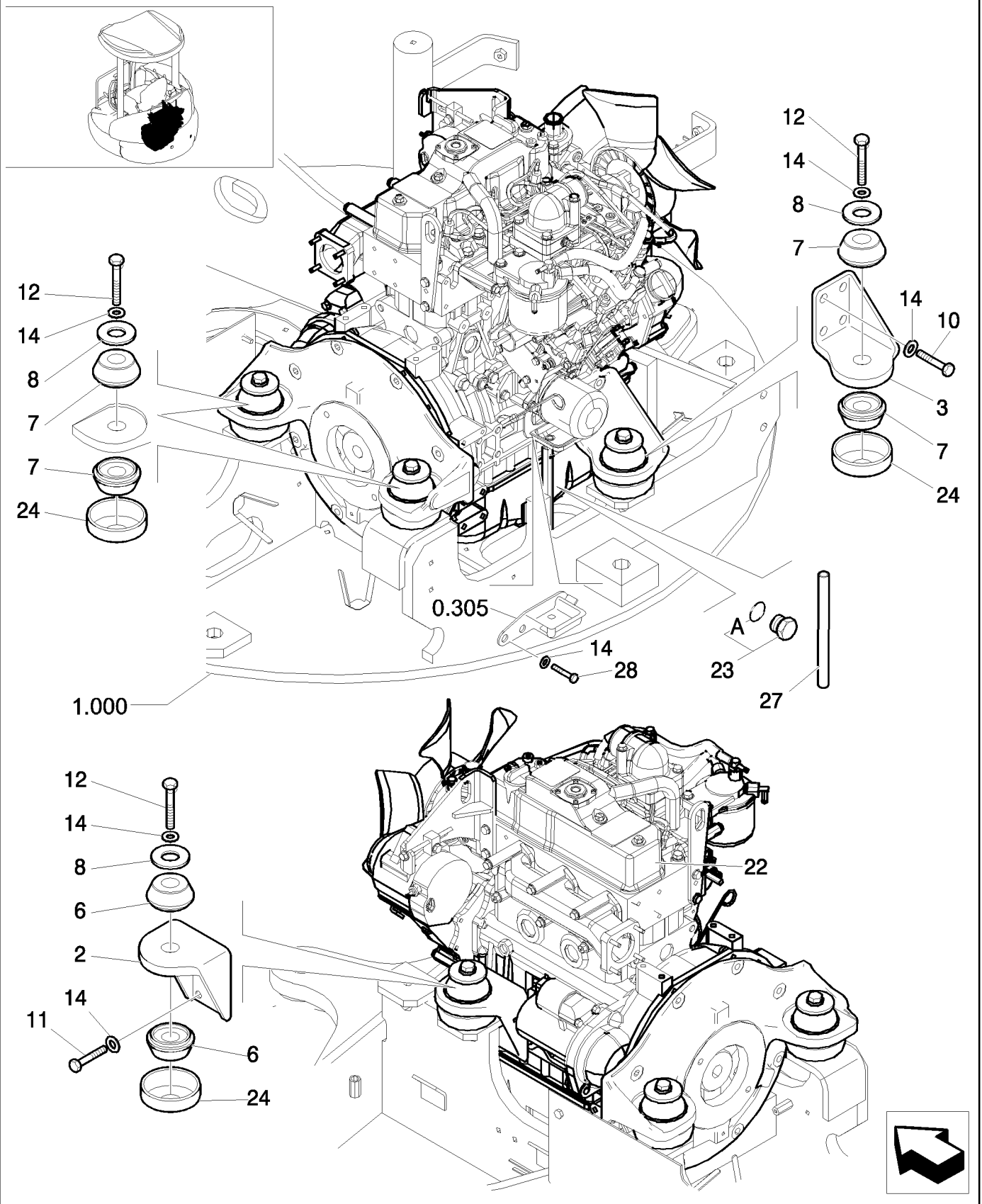
4.520	06	DECALS - CAB
4.520	07	DECALS - CAB
4.520	08	DECALS - CAB
4.520	09	DECALS - CAB
5.0001	01	RUBBER CRAWLER - 955220020
5.0002	01	STEEL CRAWLER - 955320020
5.0022	01	ARM ASSY - STD (L=1120MM) - 747325080
5.0022	02	ARM LINES - STD - 747325080
5.0022	02A	ARM LINES - STD - 747325080
5.0022	03	ARM LINES - STD (N&B) - 747325080
5.0038	01	ARM LONG (L=1370MM) - 747330080
5.0038	02	LONG ARM LINES - 747330080
5.0038	02A	LONG ARM LINES - 747330080
5.0038	03	LONG ARM LINES (N&B) - 747330080
5.0072	01	EXTRA - COUNTERWEIGHT - 747650030
5.0100	01	BUCKET - (L=250MM)
5.0101	01	BUCKET (L=600MM) - 747625010
5.0102	01	BUCKET (L=700MM)
5.0105	01	BUCKET (L=500MM) - 747639010
5.9121	01	BUCKET (L=350MM) - 747633010
5.9122	01	BUCKET (L=450MM) - 747636010
5.9125	01	BUCKET (L=300MM) - 747630010

SECTION INDEX

General

0 - VERSION	00	IDENTIFICATION AND VERSION LIST
0.000	00	MAINTENANCE PARTS
0.000	01	ENGINE INSTALLATIONS
0.001	01	AIR CLEANER
0.001A	01	AIR CLEANER
0.002	01	MUFFLER
0.003	01	RADIATOR - INSTAL
0.003	02	RADIATOR
0.003	03	RADIATOR
0.003	04	RADIATOR - COMPONENTS
0.004	01	CONTROL ASSY ENGINE (WITH DECEL)
0.004A	01	LEVER ASSY THROTTLE - COMPONENTS
0.004B	01	LINK ASSY - COMPONENTS
0.004C	1	MOTOR GOVERNOR ASSY - COMPONENTS
0.004D	1	BRACKET ASSY - COMPONENTS
0.021	01	DIESEL ENGINE - KIT
0.021	02	GASKET SET
0.040	01	CRANKCASE
0.042	01	FLYWHEEL HOUSING & OIL SUMP
0.043	01	CRANKCASE COVERS
0.060	01	CYLINDER HEAD & BONNET
0.071	01	INTAKE MANIFOLD
0.077	1	EXHAUST MANIFOLD
0.080	01	CRANKSHAFT & DRIVING GEAR
0.081	01	CRANKSHAFT & PISTON
0.140	01	FUEL INJECTION PUMP
0.149	01	FUEL INJECTION VALVE - PIPING
0.203	01	FUEL LINE
0.305	01	LUB OIL SYSTEM
0.323	01	ENGINE COOLING SYSTEM
0.360	01	STARTER MOTOR
0.400	01	CURRENT GENERATOR

ENGINE INSTALLATIONS
INSTALLAZIONE MOTORE
MOTORANLAGE
INSTALLATIONS DU MOTEUR



0.000

01

p1

06/06

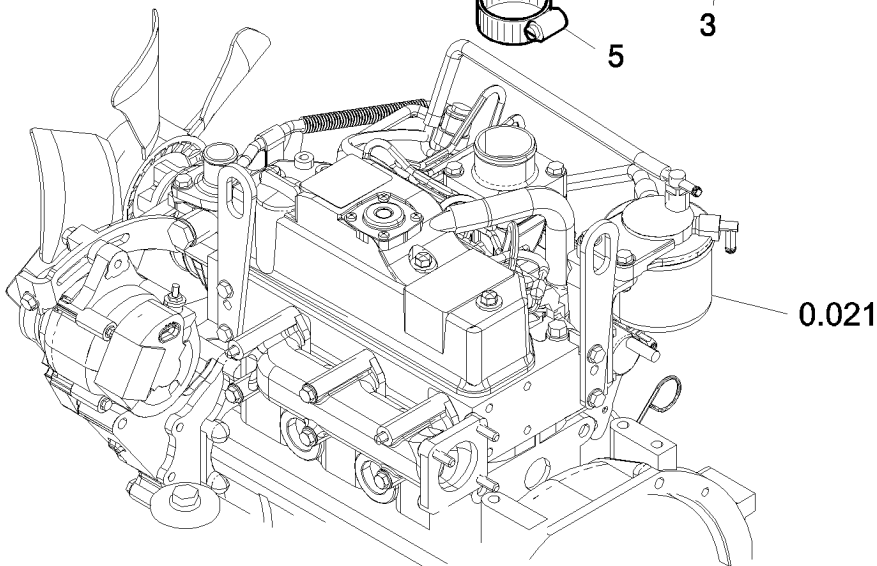
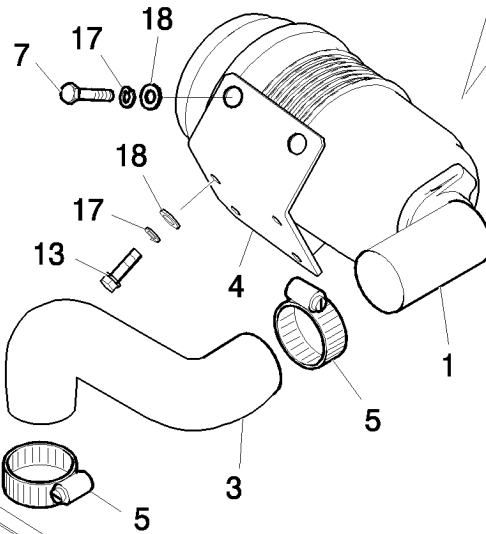
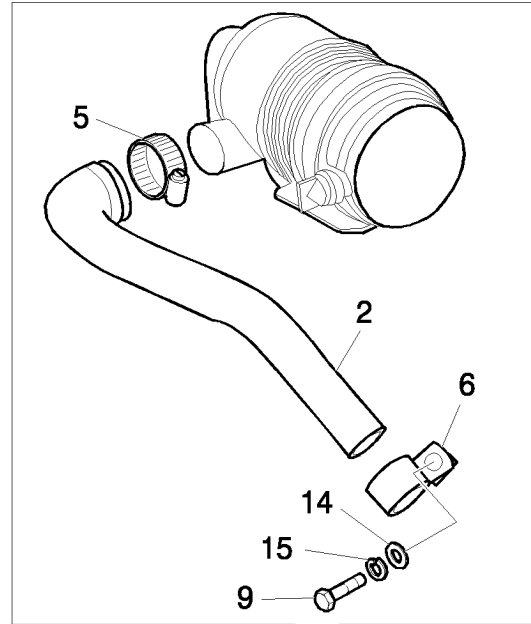
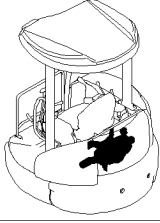
INSTALACIÓN MOTOR
ENGINE INSTALLATIONS
ENGINE INSTALLATIONS
ENGINE INSTALLATIONS

R	N	P.N.	MOD	Q	Description Denominacion	Descrizione Beskrivelse	Bezeichnung Denominação	Description Beschrijving	L.C.
2		PM02P01064P1		1	BRACKET PIEZA DE SOPORTE	STAFFA BESLAG	KONSOLE BRACADEIRA	PATTE FIXATION STEUNBEUGEL	225S
3		PM02P01065P1		1	BRACKET PIEZA DE SOPORTE	STAFFA BESLAG	KONSOLE BRACADEIRA	PATTE FIXATION STEUNBEUGEL	225S
6		PW02P01054D1		2	MOUNT, RUBBER TEJUELO, GOMA	SUPPORTO, DI GOMMA MONTERINGSGUMMIBØ	GUMMIHALTERUNG MONTAGEM DE BORRAK	PALIER CAOUTCHOUC BEVESTIGING, RUBBER	P777
7		PW02P01054D3		6	MOUNT, RUBBER TEJUELO, GOMA	SUPPORTO, DI GOMMA MONTERINGSGUMMIBØ	GUMMIHALTERUNG MONTAGEM DE BORRAK	PALIER CAOUTCHOUC BEVESTIGING, RUBBER	P777
8		PW01P01022P1		4	WASHER ARANDELA	ROSETTA PIANA FLADSKIVE	UNTERLEGSCHIEBE ANILHA	RONDELLE SLUITRING	131R
10		11112234		4	BOLT, Hex, M12 x 25, 10.9, Full Thd	BULLONE	SCHRAUBE	BOULON	140B
					TORNILLO	SKRUE	PARAFUSO	BOUT	
11		11112434		4	BOLT, Hex, M12 x 30, 10.9, Full Thd	BULLONE	SCHRAUBE	BOULON	140B
					TORNILLO	SKRUE	PARAFUSO	BOUT	
12		11114634		4	SCREW, TE M12x100	VITE	SCHRAUBE	VIS	040V
					TORNILLO	SKRUE	PARAFUSO	SCHROEF	
14		13550521		13	WASHER, LOCK, Ø12 ARANDELA DE FRENO	ROSETTA DI SICUREZZA LAÆSKIVE	SICHERUNGSSCHIEBE ANILHA DE FIXACAO	RONDELLE FREIN VEERRING	132R
22	1	72281249		1	ENGINE MOTOR	MOTORE MOTOR	MOTOR MOTOR	MOTEUR MOTOR	130M
23		PW02P01057F1		1	PLUG TAPÓN	TAPPO PROP	STOPFEN BUJAO	BOUCHON PLUG	050T
23A		LQ02PU1002S004		1	O-RING JUNTA HERMETICA	ANELLO TOROIDALE O-RING	O-RING O-RING	JOINT THORIQUE O-RING	055A
24		PW02P01041P1		4	COVER TAPADERA	COPERCHIO DÆKSEL	ABDECKUNG COBERTA	COUVERCLE DEKSEL	265C
27		PW02P01047D2		1	HOSE MANGA	MANICOTTO FLESSIBILE SLANGE	SCHLAUCH TUBO FLEXIVEL	FLEXIBLE FLEXIBELE BUIS	030M
28		11112134		1	SCREW, TE M12x20 TORNILLO	VITE SKRUE	SCHRAUBE PARAFUSO	VIS SCHROEF	040V

(1) See Page 0.021

E27.2SR

AIR CLEANER
FILTRO ARIA
LUFTFILTER
FILTRE A AIR



FILTRO DE AIRE
AIR CLEANER
AIR CLEANER
AIR CLEANER

R	N	P.N.	MOD	Q	Description Denominacion	Descrizione Beskrivelse	Bezeichnung Denominação	Description Beschrijving	L.C.
1	1	87617411		1	AIR CLEANER DEPURADOR	DEPURATORE LUFTFILTER	LUFTFILTER DEPURADOR	FILTER A AIR LUCHTREINIGER	021D
2		PM11P01051P1		1	HOSE MANGA	MANICOTTO FLESSIBILE SLANGE	SCHLAUCH TUBO FLEXIVEL	FLEXIBLE FLEXIBELE BUIS	030M
3		PM11P01045P1		1	HOSE MANGA	MANICOTTO FLESSIBILE SLANGE	SCHLAUCH TUBO FLEXIVEL	FLEXIBLE FLEXIBELE BUIS	030M
4		{87544527}		1					
5		87526525		3	CLAMP COLLAR	MORSETTO CLAMP	SCHELLE BRACADEIRA	COLLIER CLAMP	1640
6		71438664		1	CLIP SUJETADOR	FERMAGLIO KLIPS	KLEMME FIXADOR	CLIP KLEM	045F
7		16043434		2	BOLT, Hex, M8 x 20, 10.9, Full Thd TORNILLO	BULLONE SKRUE	SCHRAUBE PARAFUSO	BOULON BOUT	140B
9		11106234		1	BOLT, Hex, M10 x 25, 10.9, Full Thd, TE M10x25 TORNILLO	BULLONE SKRUE	SCHRAUBE PARAFUSO	BOULON BOUT	140B
13		16043234		4	BOLT, Hex, M8 x 16, 10.9, Full Thd TORNILLO	BULLONE SKRUE	SCHRAUBE PARAFUSO	BOULON BOUT	140B
14		12626221		1	WASHER, Ø10 ARANDELA	ROSETTA PIANA FLADSKIVE	UNTERLEGSCHIEBE ANILHA	RONDELLE SLUITRING	131R
15		10571879		1	WASHER, LOCK, M10 ARANDELA DE FRENO	ROSETTA DI SICUREZZA LAASESKIVE	SICHERUNGSSCHIEBE ANILHA DE FIXACAO	RONDELLE FREIN VEERRING	132R
17		10571779		6	WASHER, LOCK, M8 ARANDELA DE FRENO	ROSETTA DI SICUREZZA LAASESKIVE	SICHERUNGSSCHIEBE ANILHA DE FIXACAO	RONDELLE FREIN VEERRING	132R
18		14496521		6	WASHER, M8 x 17 x 1.6 ARANDELA	ROSETTA PIANA FLADSKIVE	UNTERLEGSCHIEBE ANILHA	RONDELLE SLUITRING	131R

(1) See Page 0.001A

E27.2SR

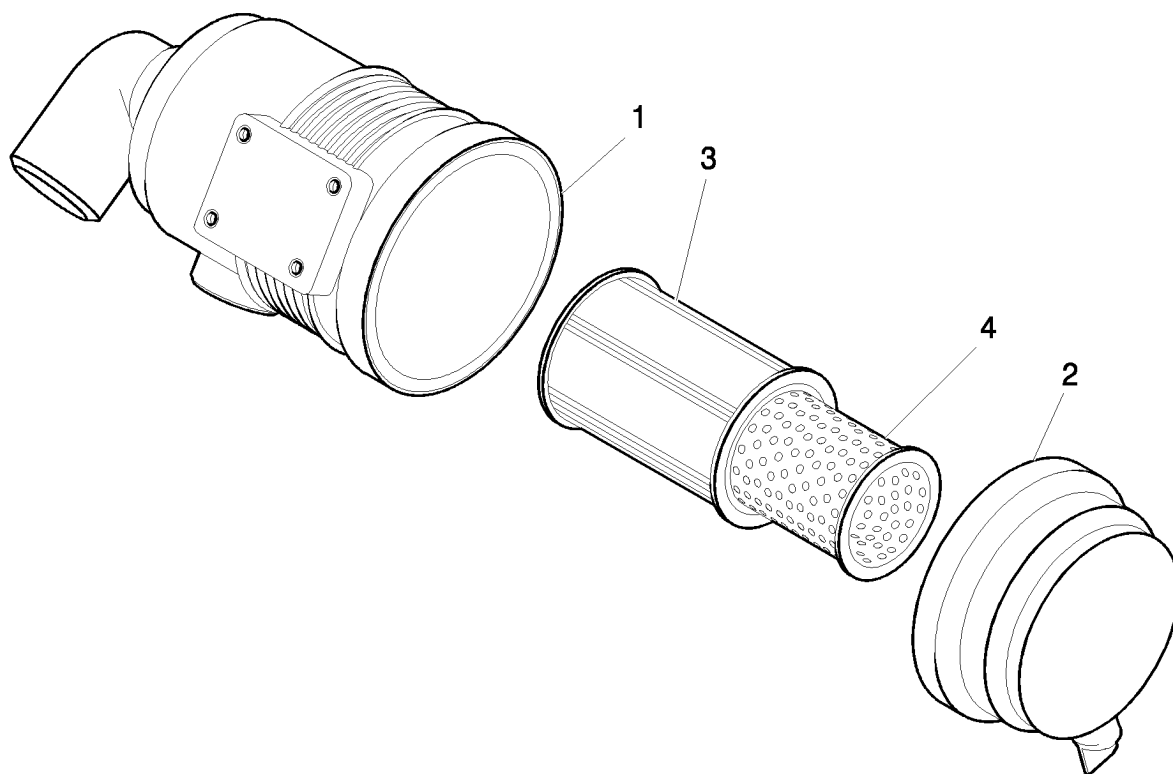
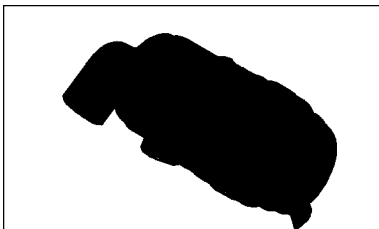
0.001A

01

p1

09/07

AIR CLEANER
FILTRO ARIA
LUFTFILTER
FILTRE A AIR



0.001A

01

p1

09/07

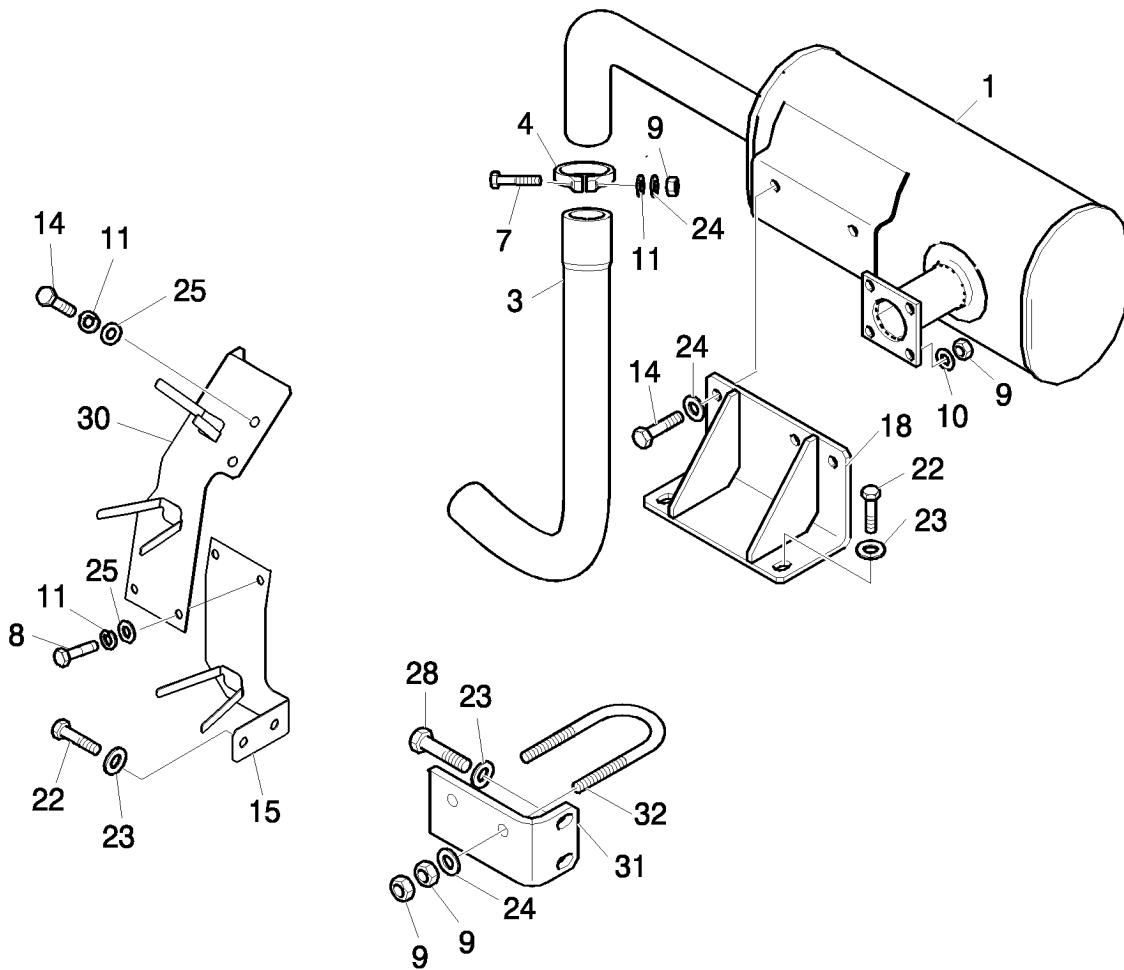
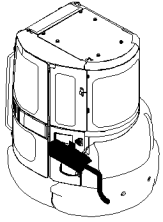
FILTRO DE AIRE
 AIR CLEANER
 AIR CLEANER
 AIR CLEANER

R	N	P.N.	MOD	Q	Description Denominacion	Descrizione Beskrivelse	Bezeichnung Denominação	Description Beschrijving	L.C.
1		87643360		1	BODY CUERPO	CORPO HUS	KOERPER CORPO	CORPS LICHAAM	300C
2		87643361		1	COVER ASSY TABA (CONJUNTO)	COPERCHIO, COMPL COVER ASSY	DECKEL (KPLT.) TAMPA CONJUNTO	COUVERCLE (ASSEMBL) COVER ASSY	P426
3		87643355		1	AIR CLEANER DEPURADOR	DEPURATORE LUFTFILTER	LUFTFILTER DEPURADOR	FILTER A AIR LUCHTREINIGER	021D
4		72285862		1	ELEMENT ELEMENTO	ELEMENTO ELEMENT	FILTERELEMENT ELEMENTO	ELÉMENT ELEMENT	Z483

AIR CLEANER, ASSY P/N 87617411

E27.2SR

MUFFLER
SILENZIATORE
SCHALLDAEMPFER
SILENCIEUX



SILENCIADOR
MUFFLER
MUFFLER
MUFFLER

R	N	P.N.	MOD	Q	Description Denominacion	Descrizione Beskrivelse	Bezeichnung Denominação	Description Beschrijving	L.C.
1		PM12P00018P1		1	MUFFLER SILENCIADOR	SILENZIATORE LYDDAEMPER	SCHALLDÄMPFER SILENCIADOR	SILENCIEUX KNALPOT	160S
3		PV12P01013P1		1	PIPE, EXHAUST SYSTEM TUBO DE ESCAPE	TUBO DI SCARICO RØR, Udstødnings sy	AUSPUFFROHR TUBO ESCAPE	TUBE ECHAPPEMENT PIJP, UITLAATSYSTEEM	198T
4		{87540154}		1					
7		16044434		1	SCREW, TE M8x60 TORNILLO	VITE SKRUE	SCHRAUBE PARAFUSO	VIS SCHROEF	040V
8		16043234		2	BOLT, Hex, M8 x 16, 10.9, Full Thd TORNILLO	BULLONE SKRUE	SCHRAUBE PARAFUSO	BOULON BOUT	140B
9		16100824		9	NUT, M8, CI 10 TUERCA	DADO MOETRIK	MUTTER PORCA	ECROU MOER	010D
10		14496521		4	WASHER, M8 x 17 x 1.6 ARANDELA	ROSETTA PIANA FLADSKIVE	UNTERLEGSCHIEBE ANILHA	RONDELLE SLUITRING	131R
11		10571779		5	WASHER, LOCK, M8 ARANDELA DE FRENO	ROSETTA DI SICUREZZA LAÆSKIVE	SICHERUNGSSCHIEBE ANILHA DE FIXACAO	RONDELLE FREIN VEERING	132R
14		16043434		6	BOLT, Hex, M8 x 20, 10.9, Full Thd TORNILLO	BULLONE SKRUE	SCHRAUBE PARAFUSO	BOULON BOUT	140B
15		PM12P01054P1		1	COVER TAPADERA	COPERCHIO DÆKSEL	ABDECKUNG COBERTA	COUVERCLE DEKSEL	265C
18		{87540164}		1					
22		11106034		4	BOLT, Hex, M10 x 20, 10.9, Full Thd TORNILLO	BULLONE SKRUE	SCHRAUBE PARAFUSO	BOULON BOUT	140B
23		12626221		8	WASHER, Ø10 ARANDELA	ROSETTA PIANA FLADSKIVE	UNTERLEGSCHIEBE ANILHA	RONDELLE SLUITRING	131R
24		12654421		8	WASHER, Ø8 ARANDELA	ROSETTA PIANA FLADSKIVE	UNTERLEGSCHIEBE ANILHA	RONDELLE SLUITRING	131R
25		72209113		4	WASHER ARANDELA	ROSETTA PIANA FLADSKIVE	UNTERLEGSCHIEBE ANILHA	RONDELLE SLUITRING	131R
28		11106234		2	BOLT, Hex, M10 x 25, 10.9, Full Thd, TE M10x25 TORNILLO	BULLONE SKRUE	SCHRAUBE PARAFUSO	BOULON BOUT	140B
30		PM12P01056P1		1	COVER TAPADERA	COPERCHIO DÆKSEL	ABDECKUNG COBERTA	COUVERCLE DEKSEL	265C
31		PM12P01053P1		1	PLATE PLACA	PIASTRA PLADE	BLECH, PLATTE CHAPA	PLAQUE PLAAT	105P
32		2420T2948D18		1	U-BOLT HORQUILLA	CAVALLOTTO HAARNAAL	BÜGELSCHRAUBE MOLA DE ENGATE	CAVALIER VEERKLEM	100C

E27.2SR

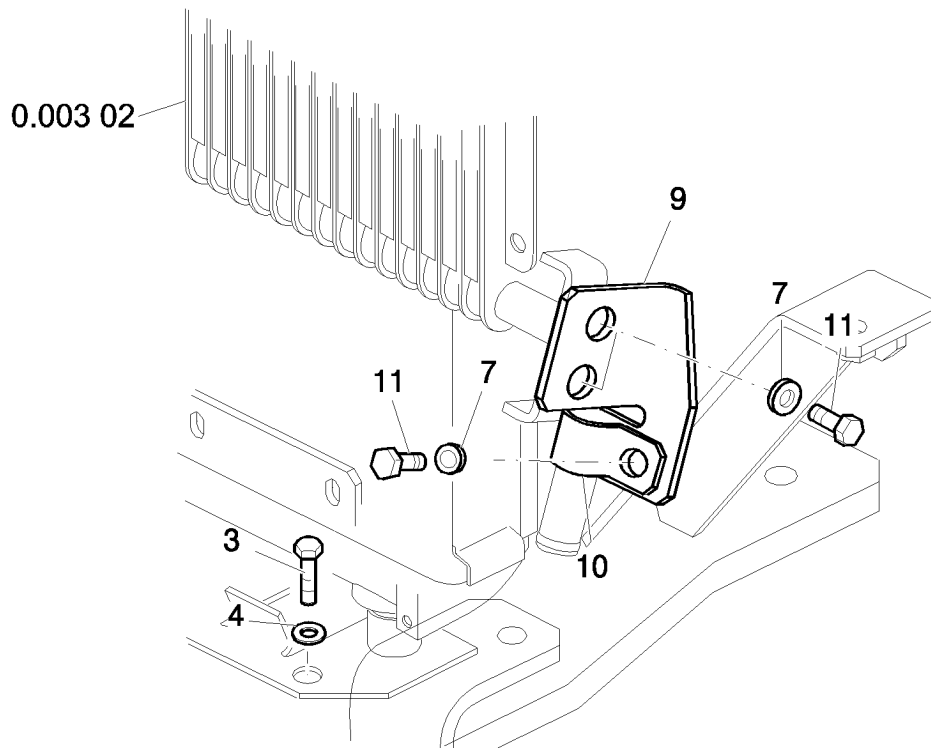
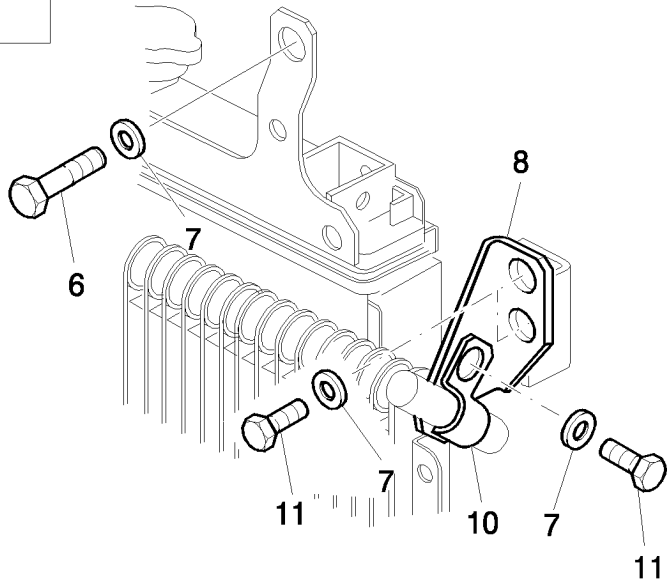
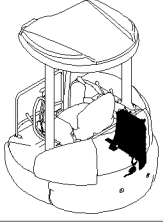
0.003

01

p1

10/06

RADIATOR - INSTAL
RADIATORE - INSTALLAZIONE
KÜHLER - ANLAGE
RADIATEUR - INSTALLATION



RADIADOR - INSTALE
 RADIATOR - INSTAL
 RADIATOR - INSTAL
 RADIATOR - INSTAL

R	N	P.N.	MOD	Q	Description Denominacion	Descrizione Beskrivelse	Bezeichnung Denominação	Description Beschrijving	L.C.
3		11106234		2	BOLT, Hex, M10 x 25, 10.9, Full Thd, TE M10x25	BULLONE	SCHRAUBE	BOULON	140B
					TORNILLO	SKRUE	PARAFUSO	BOUT	
4		12626221		2	WASHER, Ø10	ROSETTA PIANA	UNTERLEGSCHIEBE	RONDELLE	131R
					ARANDELA	FLADSKIVE	ANILHA	SLUITRING	
6		16043234		4	BOLT, Hex, M8 x 16, 10.9, Full Thd	BULLONE	SCHRAUBE	BOULON	140B
					TORNILLO	SKRUE	PARAFUSO	BOUT	
7		12654421		8	WASHER, Ø8	ROSETTA PIANA	UNTERLEGSCHIEBE	RONDELLE	131R
					ARANDELA	FLADSKIVE	ANILHA	SLUITRING	
8		{87538423}		1					
9		{87538425}		1					
10		{87538383}		2					
11		16043434		6	BOLT, Hex, M8 x 20, 10.9, Full Thd	BULLONE	SCHRAUBE	BOULON	140B
					TORNILLO	SKRUE	PARAFUSO	BOUT	

E27.2SR

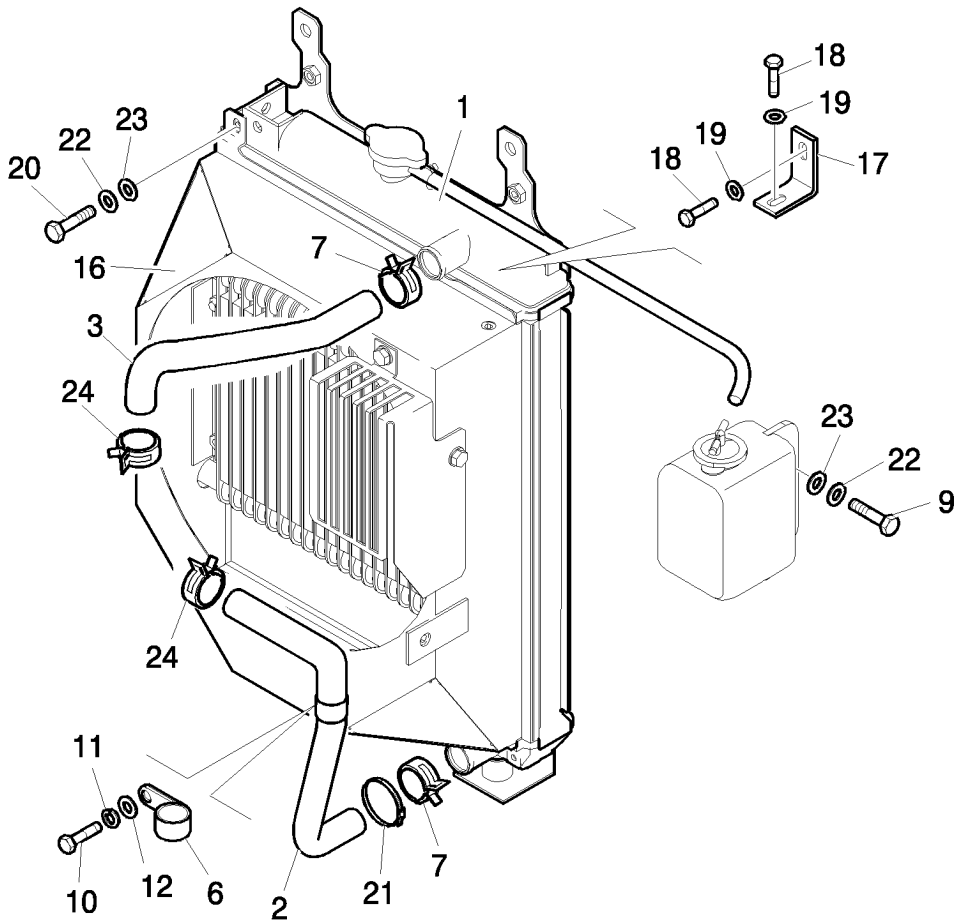
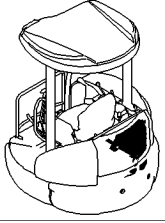
0.003

02

p1

05/07

RADIATOR
RADIATORE
KÜHLER
RADIATEUR



BUY NOW

**Then Instant Download
the Complete Manual
Thank you very much!**