

PARTS CATALOG

Product Line

**CATALOGO PARTI
DI RICAMBIO**

Model E80MSR

**CATALOGUE DES PIECES
DETACHEES**

ERSATZTEILKATALOG

**CATÁLOGO DES PIEZAS
DE REPUESTO**

**CATÁLOGO DE PEÇAS
SOBRESSALENTES**

ONDERDELENLIJST

RESERVEDELSKATALOG

CATALOGUE n. 604.04.259.02
3rd Edition 03 - 2007

 **NEW HOLLAND**

TABLE OF CONTENTS

0 - FILTERS	00	MAINTENANCE PARTS
0 - VERSION	00	IDENTIFICATION AND VERSION LIST
0.000	01	ENGINE SUSPENSIONS
0.001	01	AIR CLEANER
0.001	02	AIR CLEANER
0.002	01	MUFFLER
0.003	01	RADIATOR
0.003	02	RADIATOR - COMPONENTS
0.004	01	ACCELERATOR CONTROLS
0.021	01	ENGINE
0.021	02	ENGINE
0.040	01	CRANKCASE
0.042	01	ENGINE OIL SUMP
0.043	01	CRANKCASE COVERS
0.060	01	CYLINDER HEAD
0.060	02	CYLINDER HEAD
0.071	01	INTAKE MANIFOLD
0.077	01	EXHAUST MANIFOLD
0.080	01	CAMSHAFT AND VALVE
0.080	02	CRANKSHAFT, PISTON AND FLYWHEEL
0.149	01	INJECTION EQUIPMENT
0.149	02	INJECTION EQUIPMENT
0.149	03	INJECTION PUMP - COMPONENTS
0.149	04	INJECTION PUMP - COMPONENTS
0.149	05	INJECTION PUMP - COMPONENTS
0.149	06	INJECTION EQUIPMENT
0.149	07	INJECTION EQUIPMENT
0.200	01	FUEL FILTER
0.200	02	FUEL FILTER
0.200	03	FUEL FILTER
0.203	01	PIPING - FUEL
0.302	01	OIL FILTERS - ENGINE
0.305	01	PIPING - ENGINE OIL
0.323	01	VENTILATION SYSTEM
0.326	01	THERMOSTAT - ENGINE COOLING SYSTEM
0.340	01	WATER PUMP - CONTROL
0.340	02	WATER PIPING; ENGINE
0.360	01	STARTER MOTOR
0.360	02	STARTER MOTOR - COMPONENTS
0.400	01	ALTERNATOR
0.400	02	ALTERNATOR - COMPONENTS
0.450	01	HOOKS - ENGINE
1.000	01	UPPER FRAME
1.000	02	UPPER FRAME
1.000	03	UPPER FRAME
1.010	01	FUEL TANK
1.010	02	FUEL TANK
1.010	03	FUEL TANK
1.016	01	FUEL TRANSFER PUMP
1.016	02	FUEL TRANSFER PUMP
1.020	01	OIL TANK
1.030	01	HYDRAULIC PUMP
1.030	02	HYDRAULIC PUMP - COMPONENTS
1.030	03	HYDRAULIC PUMP - COMPONENTS
1.035	01	BRACKET ASSY SWING

TABLE OF CONTENTS

1.035	02	CYLINDER, SWING
1.040	01	SWING REDUCTION UNIT
1.040	02	SWING MOTOR - COMPONENTS
1.040	03	SWING MOTOR - COMPONENTS
1.040	04	SWING MOTOR - COMPONENTS
1.040	05	SWING REDUCTION UNIT
1.050	01	PUMP/CONTROL VALVE PIPING
1.050	02	PUMP/CONTROL VALVE PIPING
1.050	03	PUMP/CONTROL VALVE PIPING
1.050	04	PUMP/CONTROL VALVE PIPING
1.050	05	PUMP/CONTROL VALVE PIPING
1.050	06	PUMP/CONTROL VALVE PIPING
1.050	07	PUMP/CONTROL VALVE PIPING
1.050	08	PUMP/CONTROL VALVE PIPING
1.050	09	PUMP/CONTROL VALVE PIPING
1.050	10	PUMP/CONTROL VALVE PIPING
1.050	11	PUMP/CONTROL VALVE PIPING
1.050	12	PUMP/CONTROL VALVE PIPING
1.050	13	PUMP/CONTROL VALVE PIPING
1.050	14	HYDRAULIC CONTROL VALVE - COMPONENTS
1.050	15	HYDRAULIC CONTROL VALVE - COMPONENTS
1.050	16	HYDRAULIC CONTROL VALVE - COMPONENTS
1.050	17	HYDRAULIC CONTROL VALVE - COMPONENTS
1.050	18	HYDRAULIC CONTROL VALVE - COMPONENTS
1.050	19	HYDRAULIC CONTROL VALVE - COMPONENTS
1.050	20	HYDRAULIC CONTROL VALVE - COMPONENTS
1.050	21	HYDRAULIC CONTROL VALVE - COMPONENTS
1.050	22	HYDRAULIC CONTROL VALVE - COMPONENTS
1.050	23	HYDRAULIC CONTROL VALVE - COMPONENTS
1.050	24	HYDRAULIC CONTROL VALVE - COMPONENTS
1.050	25	HYDRAULIC CONTROL VALVE - COMPONENTS
1.050	26	HYDRAULIC CONTROL VALVE - COMPONENTS
1.050	27	HYDRAULIC CONTROL VALVE - COMPONENTS
1.050	28	HYDRAULIC CONTROL VALVE - COMPONENTS
1.050	29	HYDRAULIC CONTROL VALVE - COMPONENTS
1.050	30	HYDRAULIC CONTROL VALVE - COMPONENTS
1.054	01	PUMP/CONTROL VALVE PIPING - EXTRA
1.054	02	PUMP/CONTROL VALVE PIPING - EXTRA
1.054	03	PUMP/CONTROL VALVE PIPING - EXTRA
1.054	04	PUMP/CONTROL VALVE PIPING - DOZER & EXTRA
1.070	01	CONTROLS
1.070	02	CONTROLS
1.070	03	CONTROLS
1.070	04	CONTROLS
1.070	05	CONTROLS
1.070	06	PILOT VALVE - COMPONENTS
1.070	07	PILOT VALVE - COMPONENTS
1.070	08	PILOT VALVE - COMPONENTS
1.080	01	PILOT PIPING
1.080	02	PILOT PIPING
1.080	03	PILOT PIPING
1.080	04	PILOT PIPING
1.080	05	PILOT PIPING
1.080	06	PILOT PIPING
1.080	07	PILOT PIPING

TABLE OF CONTENTS

1.080	08	PILOT PIPING
1.080	09	PILOT PIPING
1.080	10	PILOT PIPING
1.080	11	PILOT PIPING
1.080	12	PILOT PIPING
1.080	13	PILOT PIPING
1.080	14	PILOT PIPING
1.080	15	PILOT PIPING
1.080	16	PILOT PIPING
1.080	17	PILOT PIPING
1.080	18	PILOT PIPING
1.080	19	PILOT PIPING
1.080	20	SOLENOID VALVE
1.080	21	SOLENOID VALVE
1.080	22	SOLENOID VALVE
1.080	23	SOLENOID VALVE
1.080	24	SOLENOID VALVE
1.084	01	PILOT PIPING - EXTRA
1.084	02	PILOT PIPING - EXTRA
1.084	03	PILOT PIPING - SWING, EXTRA CHANGE
1.084	04	PILOT PIPING - EXTRA
1.084	05	SOLENOID VALVE - EXTRA & BREAKER
1.220	01	ELECTRIC SYSTEM
1.220	02	ELECTRIC SYSTEM
1.220	03	ELECTRIC SYSTEM
1.220	04	ELECTRIC SYSTEM
1.220	05	ELECTRIC SYSTEM
1.220	06	ELECTRIC SYSTEM
1.220	07	ELECTRIC SYSTEM
1.220	08	ELECTRIC SYSTEM
1.220	09	ELECTRIC SYSTEM
1.220	10	ELECTRIC SYSTEM
1.220	11	ELECTRIC SYSTEM
1.220	12	ELECTRIC SYSTEM
1.220	13	ELECTRIC SYSTEM
1.220	14	ELECTRIC SYSTEM
1.220	15	ELECTRIC SYSTEM
1.220	16	ELECTRIC SYSTEM
1.220	17	ELECTRIC SYSTEM
1.220	18	ELECTRIC SYSTEM
1.220	19	ELECTRIC SYSTEM
1.220	20	ELECTRIC SYSTEM
1.220	21	ELECTRIC SYSTEM
1.220	22	ELECTRIC SYSTEM -
1.220	23	ELECTRIC SYSTEM
1.220	24	ELECTRIC SYSTEM
1.223	01	ELECTRIC SYSTEM - EXTRA
1.223	02	ELECTRIC SYSTEM - SWING, EXTRA CHANGE
1.250	01	CAB
1.250	02	CAB - COMPONENTS
1.250	03	CAB - COMPONENTS
1.250	04	CAB - COMPONENTS
1.250	05	CAB - COMPONENTS
1.250	06	OPERATOR'S SEAT
1.250	07	OPERATOR'S SEAT

TABLE OF CONTENTS

1.250	08	OPERATOR'S SEAT
1.270	01	FLOOR-CAB
1.295	01	AIR CONDITIONING
1.295	02	AIR CONDITIONING
1.295	03	AIR CONDITIONING
1.295	04	AIR CONDITIONING - COMPONENTS
1.295	05	AIR CONDITIONING - COMPONENTS
1.295	06	AIR CONDITIONING - COMPONENTS
1.295	07	AIR CONDITIONING - COMPONENTS
1.295	08	AIR CONDITIONING - COMPONENTS
1.295	09	AIR CONDITIONING - COMPONENTS
1.295	10	AIR CONDITIONING - COMPONENTS
1.300	01	HOODS
1.300	02	HOODS
1.300	03	HOODS
1.300	04	HOODS
1.300	05	HOODS
1.300	06	HOODS
1.300	07	HOODS
1.300	08	HOODS
1.300	09	HOODS
1.300	10	HOODS
2.000	01	MONOBLOC BOOM
2.003	01	DIPPER STICK (1,8M)
2.030	01	BOOM PIPING (3,72M)
2.030	02	BOOM PIPING (3,72M)
2.030	03	LIFT CYLINDER
2.030	04	DIPPER STICK CYLINDER
2.033	01	BOOM PIPING (1,8M)
2.033	02	BOOM PIPING (1,8M)
2.033	03	BUCKET CYLINDER
2.037	01	BOOM PIPING (3,72M) - EXTRA
2.038	01	BOOM PIPING (1,8M) - EXTRA + NIBBLER & BREAKER
2.039	01	BOOM PIPING (2,07M) - EXTRA + NIBBLER & BREAKER
2.050	01	BUCKET INSTALLATION
3.000	01	LOWER FRAME
3.000	02	LOWER FRAME
3.000	03	LOWER FRAME
3.010	01	MOTOR ASSY, PROPELLING
3.010	02	MOTOR ASSY, PROPELLING
3.020	01	TRACK IDLER
3.020	02	TRACK IDLER
3.020	03	TRACK IDLER
3.030	01	TRACK CARRIER ROLLER
3.040	01	TRACK ROLLER
3.050	01	DOZER
3.050	02	DOZER
3.050	03	DOZER
3.050	04	DOZER
3.050	05	CILINDER ASSY,DOZER
3.060	01	JOINT ASSY, SWIVEL
3.070	01	TRAVEL PIPING (LOWER)
4.200	01	TOOLS KIT
4.200	02	TOOLS KIT
4.520	01	DECALS

TABLE OF CONTENTS

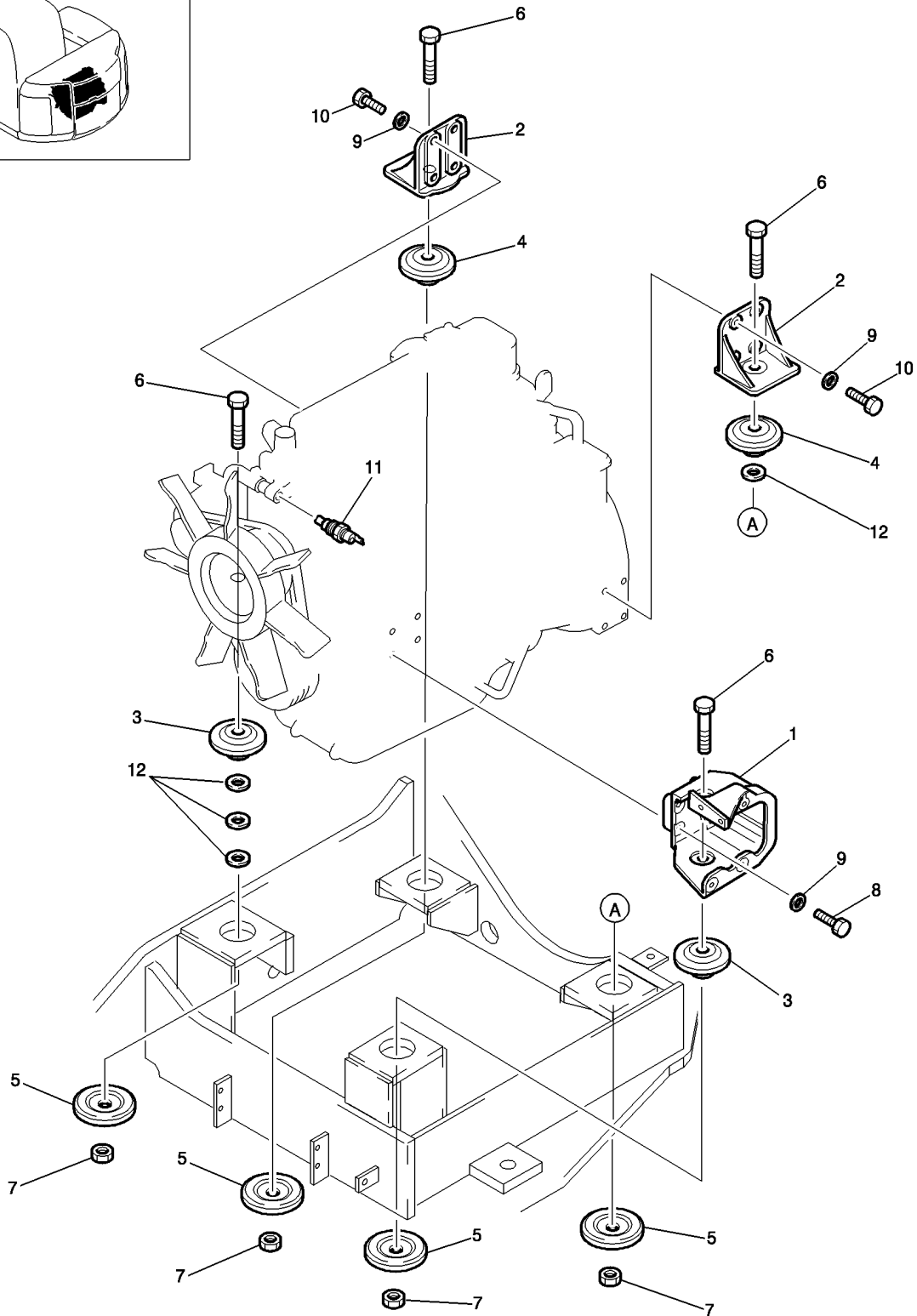
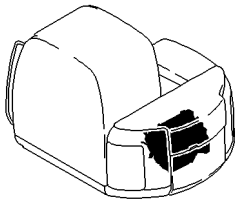
4.520	02	DECALS
4.520	03	DECALS
4.520	04	DECALS
4.520	05	DECALS
4.520	06	DECALS
4.520	07	DECALS
4.520	08	DECALS
4.520	09	DECALS
5.0001	01	SHOE ASSY
5.0002	01	RUBBER CRAWLER BELT
5.0013	01	DIPPER STICK (2,07M) - OPTIONAL CODE 72140106
5.0013	02	DIPPER STICK (2,07M) - OPTIONAL CODE 72140106
5.0014	01	BOOM PIPING (2,07M) - NIBBLER & BREAKER - OPTIONAL CODE 72140190
5.0014	02	BOOM PIPING (2,07M) - NIBBLER & BREAKER - OPTIONAL CODE 72140190
5.0085	01	BOOM SAFETY VALVE - OPTIONAL CODE 72140171
5.0085	02	BOOM SAFETY VALVE - OPTIONAL CODE 72140171
5.0085	03	BOOM SAFETY VALVE - OPTIONAL CODE 72140171
5.0085	04	BOOM SAFETY VALVE - OPTIONAL CODE 72140171
5.0087	01	BOOM & ARM SAFETY VALVE - OPTIONAL CODE 72140177
5.0087	02	BOOM & ARM SAFETY VALVE - OPTIONAL CODE 72140177
5.0087	03	BOOM & ARM SAFETY VALVE - OPTIONAL CODE 72140177
5.0087	04	BOOM & ARM SAFETY VALVE - OPTIONAL CODE 72140177
5.0087	05	BOOM & ARM SAFETY VALVE - OPTIONAL CODE 72140177
5.0098	01	ELECTRIC SYSTEM - OPTIONAL CODE 72151674
5.0099	01	ALARM ASSY - OPTIONAL CODE 72151694
5.0099	02	ALARM ASSY - OPTIONAL CODE 72151694
5.0100	01	BUCKET - (L=600MM) - OPTIONAL CODE 72211704
5.0101	01	BUCKET - (L=750MM) - OPTIONAL CODE 72211706
5.0102	01	BUCKET - (L=850MM) - OPTIONAL CODE 72211708
5.0767	01	CAB LIGHTS - OPTIONAL CODE 72151695

SECTION INDEX

Engine

0 - FILTERS	00	MAINTENANCE PARTS
0 - VERSION	00	IDENTIFICATION AND VERSION LIST
0.000	01	ENGINE SUSPENSIONS
0.001	01	AIR CLEANER
0.001	02	AIR CLEANER
0.002	01	MUFFLER
0.003	01	RADIATOR
0.003	02	RADIATOR - COMPONENTS
0.004	01	ACCELERATOR CONTROLS
0.021	01	ENGINE
0.021	02	ENGINE
0.040	01	CRANKCASE
0.042	01	ENGINE OIL SUMP
0.043	01	CRANKCASE COVERS
0.060	01	CYLINDER HEAD
0.060	02	CYLINDER HEAD
0.071	01	INTAKE MANIFOLD
0.077	01	EXHAUST MANIFOLD
0.080	01	CAMSHAFT AND VALVE
0.080	02	CRANKSHAFT, PISTON AND FLYWHEEL
0.149	01	INJECTION EQUIPMENT
0.149	02	INJECTION EQUIPMENT
0.149	03	INJECTION PUMP - COMPONENTS
0.149	04	INJECTION PUMP - COMPONENTS
0.149	05	INJECTION PUMP - COMPONENTS
0.149	06	INJECTION EQUIPMENT
0.149	07	INJECTION EQUIPMENT
0.200	01	FUEL FILTER
0.200	02	FUEL FILTER
0.200	03	FUEL FILTER
0.203	01	PIPING - FUEL
0.302	01	OIL FILTERS - ENGINE
0.305	01	PIPING - ENGINE OIL
0.323	01	VENTILATION SYSTEM
0.326	01	THERMOSTAT - ENGINE COOLING SYSTEM
0.340	01	WATER PUMP - CONTROL
0.340	02	WATER PIPING; ENGINE
0.360	01	STARTER MOTOR
0.360	02	STARTER MOTOR - COMPONENTS
0.400	01	ALTERNATOR
0.400	02	ALTERNATOR - COMPONENTS
0.450	01	HOOKS - ENGINE

ENGINE SUSPENSIONS
SOSPENSIONI MOTORE
MOTORAUFGAENGUNG
SUSPENSIONS DU MOTEUR



0.000

01

p1

12/05

ANCLAJES MOTOR
ENGINE SUSPENSIONS
ENGINE SUSPENSIONS
ENGINE SUSPENSIONS

R	N	P.N.	MOD	Q	Description Denominacion	Descrizione Beskrivelse	Bezeichnung Denominação	Description Beschrijving	L.C.
1		72954438		1	BRACKET PIEZA DE SOPORTE	STAFFA BESLAG	KONSOLE BRACADEIRA	PATTE FIXATION STEUNBEUGEL	225S
2		72954212		2	BRACKET PIEZA DE SOPORTE	STAFFA BESLAG	KONSOLE BRACADEIRA	PATTE FIXATION STEUNBEUGEL	225S
3		72954439		2	MOUNTING, RUBBER TEJUELO, GOMA	SUPPORTO, DI GOMMA MONTERINGSGUMMIBØ	GUMMIHALTERUNG MONTAGEM DE BORRA	PALIER CAOUTCHOUC BEVESTIGING, RUBBER	P777
4		72954795		2	SHOCK ABSORBER AMORTIGUADOR	AMMORTIZZATORE STOEDDAEMPER	DÄMPFER AMORTECEDOR	AMORTISSEUR SCHOKDEMPEUR	036A
5		YW02P01004P1		4	MOUNT, ENGINE SOPORTE MOTOR	SUPPORTO MOTORE MOTOROPHÆNG	MOTORAUFHÄNGUNG SUPORTE DE MOTOR	SUPPORT MOTEUR MOTORSTEUN	299S
6		72954882		4	SCREW TORNILLO	VITE SKRUE	SCHRAUBE PARAFUSO	VIS SCHROEF	040V
7		ZN18C18015		4	NUT TUERCA	DADO MOETRIK	MUTTER PORCA	ECROU MOER	010D
8		72954887		4	SCREW TORNILLO	VITE SKRUE	SCHRAUBE PARAFUSO	VIS SCHROEF	040V
9		47045385		12	WASHER ARANDELA	ROSETTA PIANA FLADSKIVE	UNTERLEGSCHIEBE ANILHA	RONDELLE SLUITRING	131R
10		ZS18C10035		8	SCREW TORNILLO	VITE SKRUE	SCHRAUBE PARAFUSO	VIS SCHROEF	040V
11		YT52S00001P1		1	SENSOR SENSOR	SENSORE FØLER	SENSOR SENSOR	CAPTEUR SENSOR	608S
12		YW02P01005D1		4	SHIM SUPLEMENTO	SPESSORE MELLEMLÆG	UNTERLEGSCHIEBE CALCO DE AFINACAO	CALE D'EPaisseur DIKTEPLAAT	198S

E80MSR

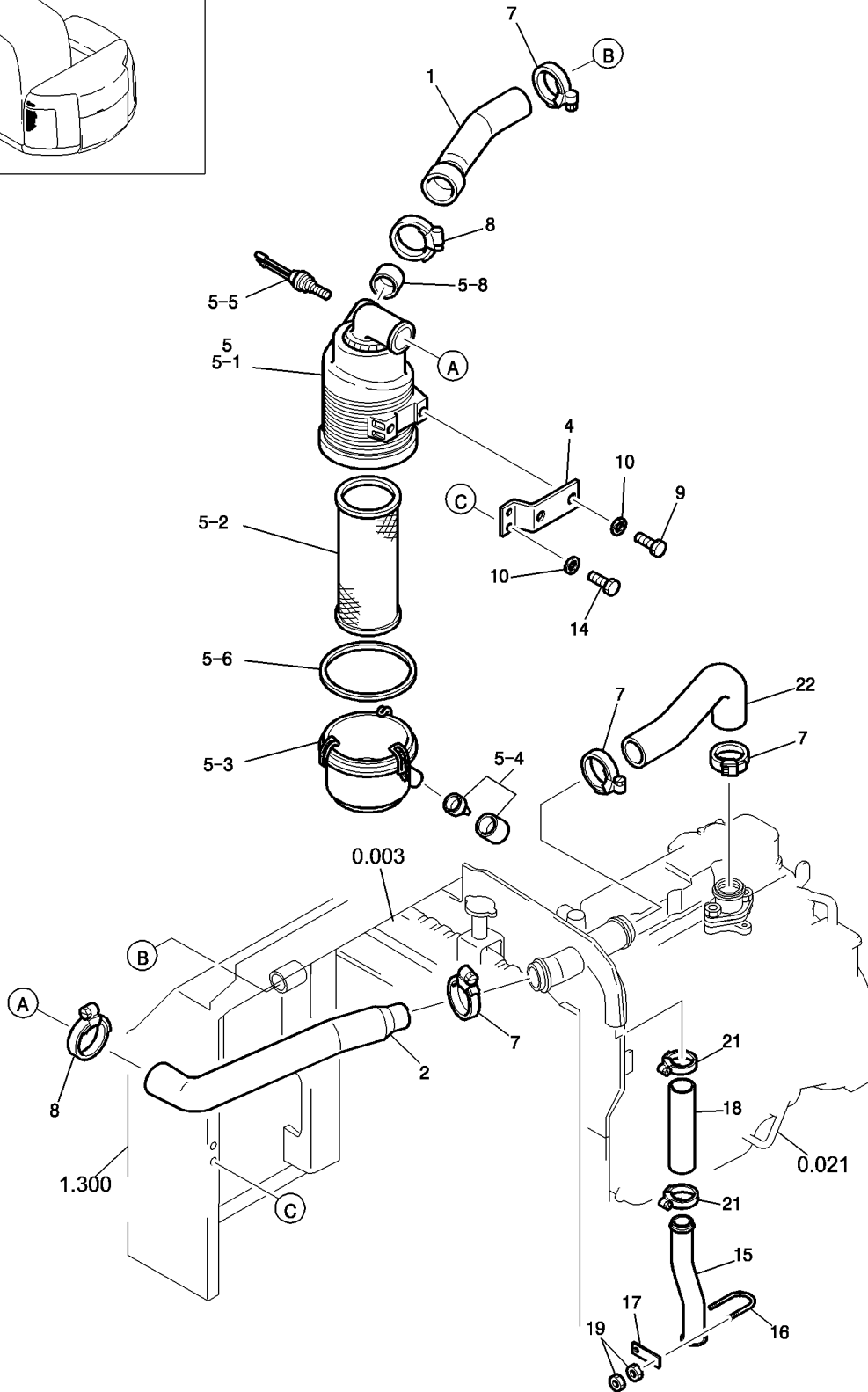
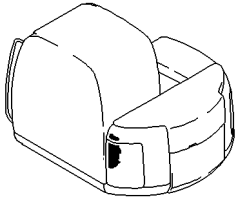
0.001

01

p1

12/05

AIR CLEANER
FILTRO ARIA
LUFTFILTER
FILTRE A AIR

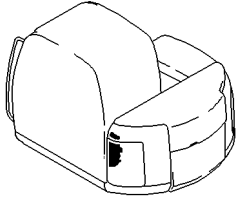


FILTRO DE AIRE
AIR CLEANER
AIR CLEANER
AIR CLEANER

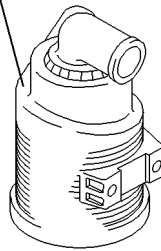
R	N	P.N.	MOD	Q	Description Denominacion	Descrizione Beskrivelse	Bezeichnung Denominação	Description Beschrijving	L.C.
1		YT11P01010P1		1	HOSE	MANICOTTO FLESSIBILE	SCHLAUCH	FLEXIBLE	030M
					MANGA	SLANGE	TUBO FLEXIVEL	FLEXIBELE BUIS	
2		72954503		1	HOSE	MANICOTTO FLESSIBILE	SCHLAUCH	FLEXIBLE	030M
					MANGA	SLANGE	TUBO FLEXIVEL	FLEXIBELE BUIS	
4		72954502		1	BRACKET	STAFFA	KONSOLE	PATTE FIXATION	225S
					PIEZA DE SOPORTE	BESLAG	BRACADEIRA	STEUNBEUGEL	
5		72954500		1	FILTER, AIR	FILTRO ARIA	LUFTFILTER	FILTRE A AIR	066F
					FILTRO DE AIRE	LUFTFILTER	FILTRO DE AR	LUCHTFILTER	
5-1		72960696		1	BODY	CORPO	KOERPER	CORPS	300C
					CUERPO	HUS	CORPO	LICHAAM	
5-2		72957472		1	FILTER, ELEMENT	ELEMENTO DEL FILTRO	FILTERELEMENT	ÉLÉMENT FILTRANT	020E
					ELEMENTO DE FILTRAD	FILTERELEMENT	ELEMENTO DE FILTRO	FILTERELEMENT	
5-3		72960697		1	COVER	COPERCHIO	ABDECKUNG	COUVERCLE	265C
					TAPADERA	DÆKSEL	COBERTA	DEKSEL	
5-4		YT11P00002S004		1	VALVE	VALVOLA	VENTIL	SOUPAPE	9620
					VALVULA	VENTIL	VALVULA	KLEP	
5-5		YR11P00008S005		1	INDICATOR	SEGNALATORE	ZEIGER	INDICATEUR	087S
					TESTIGO	INDIKATOR	INDICADOR	AANWIJZER	
5-6		YT11P00002S006		1	O-RING	ANELLO TOROIDALE	O-RING	JOINT THORIQUE	055A
					JUNTA HERMETICA	O-RING	O-RING	O-RING	
5-8		72960700		1	RING	ANELLO	RING	ANNEAU	045A
					ANILLO	RING	ANEL	RING	
7		ZC16X06100		4	CLIP	FERMAGLIO	KLEMME	CLIP	045F
					SUJETADOR	KLIPS	FIXADOR	KLEM	
8		ZC16X07000		2	CLIP	FERMAGLIO	KLEMME	CLIP	045F
					SUJETADOR	KLIPS	FIXADOR	KLEM	
9		ZS18C08016		2	SCREW, Hex, M8 x 16	VITE	SCHRAUBE	VIS	040V
					TORNILLO	SKRUE	PARAFUSO	SCHROEF	
10		ZW16X08000		4	WASHER	ROSETTA PIANA	UNTERLEGSCHIEBE	RONDELLE	131R
					ARANDELA	FLADSKIVE	ANILHA	SLUITRING	
14		72951685		2	SCREW	VITE	SCHRAUBE	VIS	040V
					TORNILLO	SKRUE	PARAFUSO	SCHROEF	
15		72150953		1	PIPE	TUBO	ROHR	TUYAU	200T
					CUELLO DE CARGA	PAAFYLDNINGSSTUDS	TUBO DE ENCHIMENTO	OPVULPIJP	
16		72950377		1	U-BOLT	CAVALLOTTO	BÜGELSCHRAUBE	CAVALIER	100C
					HORQUILLA	HAARNAAL	MOLA DE ENGATE	VEERKLEM	
17		72150513		1	SPACER	DISTANZIALE	DISTANZSTÜCK	ENTRETOISE	075D
					SEPARADOR	AFSTANDSSTYKKE	ESPACADOR	AFSTANDSRING	
18		72150514		1	HOSE	MANICOTTO FLESSIBILE	SCHLAUCH	FLEXIBLE	030M
					MANGA	SLANGE	TUBO FLEXIVEL	FLEXIBELE BUIS	
19		72210038		4	NUT	DADO	MUTTER	ECROU	010D
					TUERCA	MOETRIK	PORCA	MOER	
21		72951591		2	CLIP	FERMAGLIO	KLEMME	CLIP	045F
					SUJETADOR	KLIPS	FIXADOR	KLEM	
22		72957230		1	HOSE	MANICOTTO FLESSIBILE	SCHLAUCH	FLEXIBLE	030M
					MANGA	SLANGE	TUBO FLEXIVEL	FLEXIBELE BUIS	

E80MSR

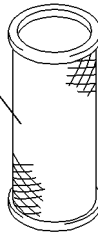
AIR CLEANER
FILTRO ARIA
LUFTFILTER
FILTRE A AIR



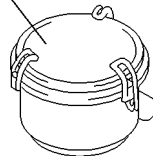
PAGE 1



PAGE 1



PAGE 1



0.001

02

p1

12/05

FILTRO DE AIRE
AIR CLEANER
AIR CLEANER
AIR CLEANER

R	N	P.N.	MOD	Q	Description Denominacion	Descrizione Beskrivelse	Bezeichnung Denominação	Description Beschrijving	L.C.
1		LE11P01016P1		1	FILTER FILTRO	FILTRO FILTER	FILTER FILTRO	FILTRE FILTER	065F

E80MSR

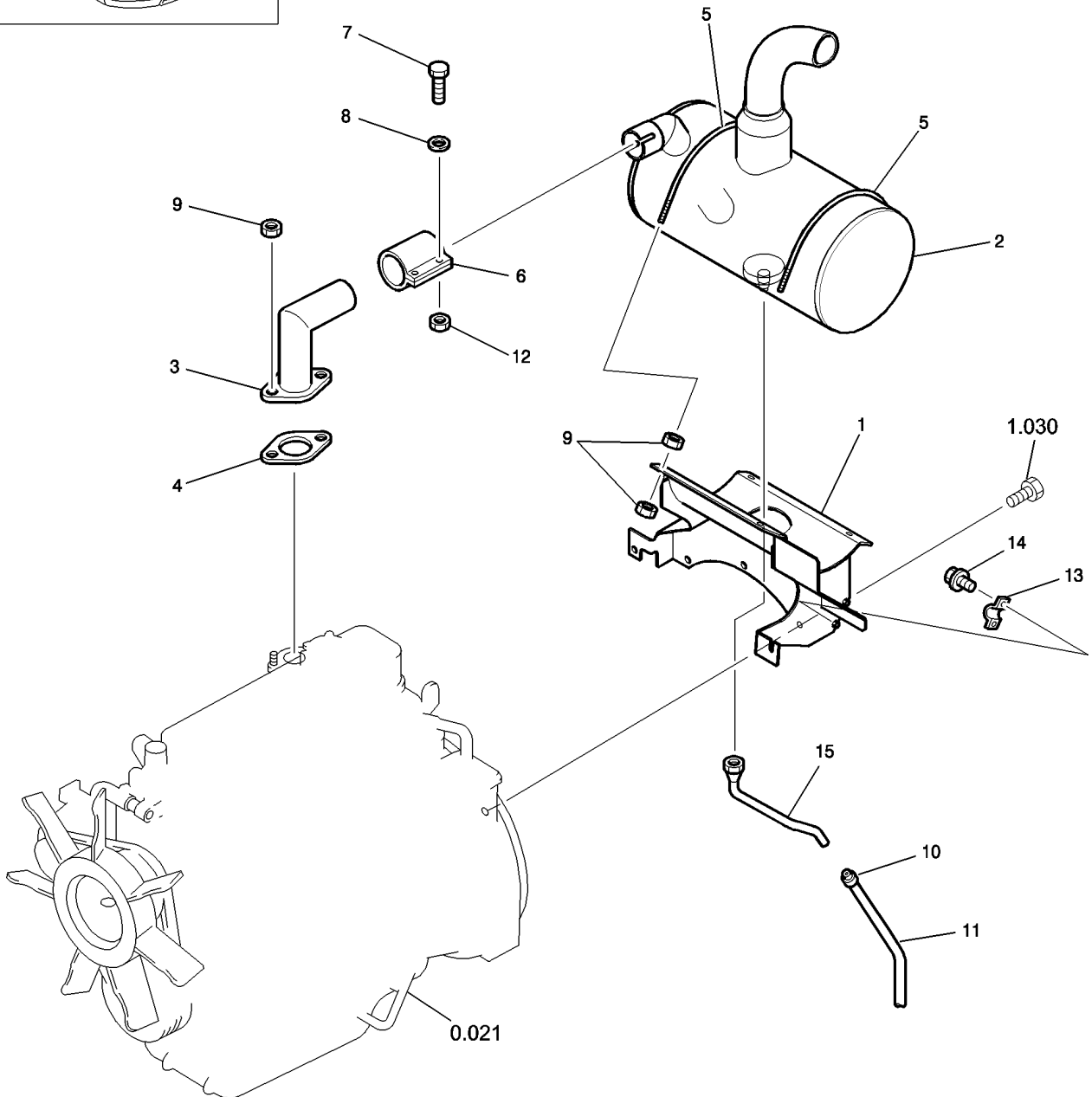
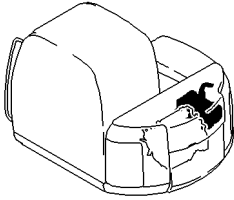
0.002

01

p1

12/05

MUFFLER
SILENZIATORE
SCHALLDAEMPFER
SILENCIEUX

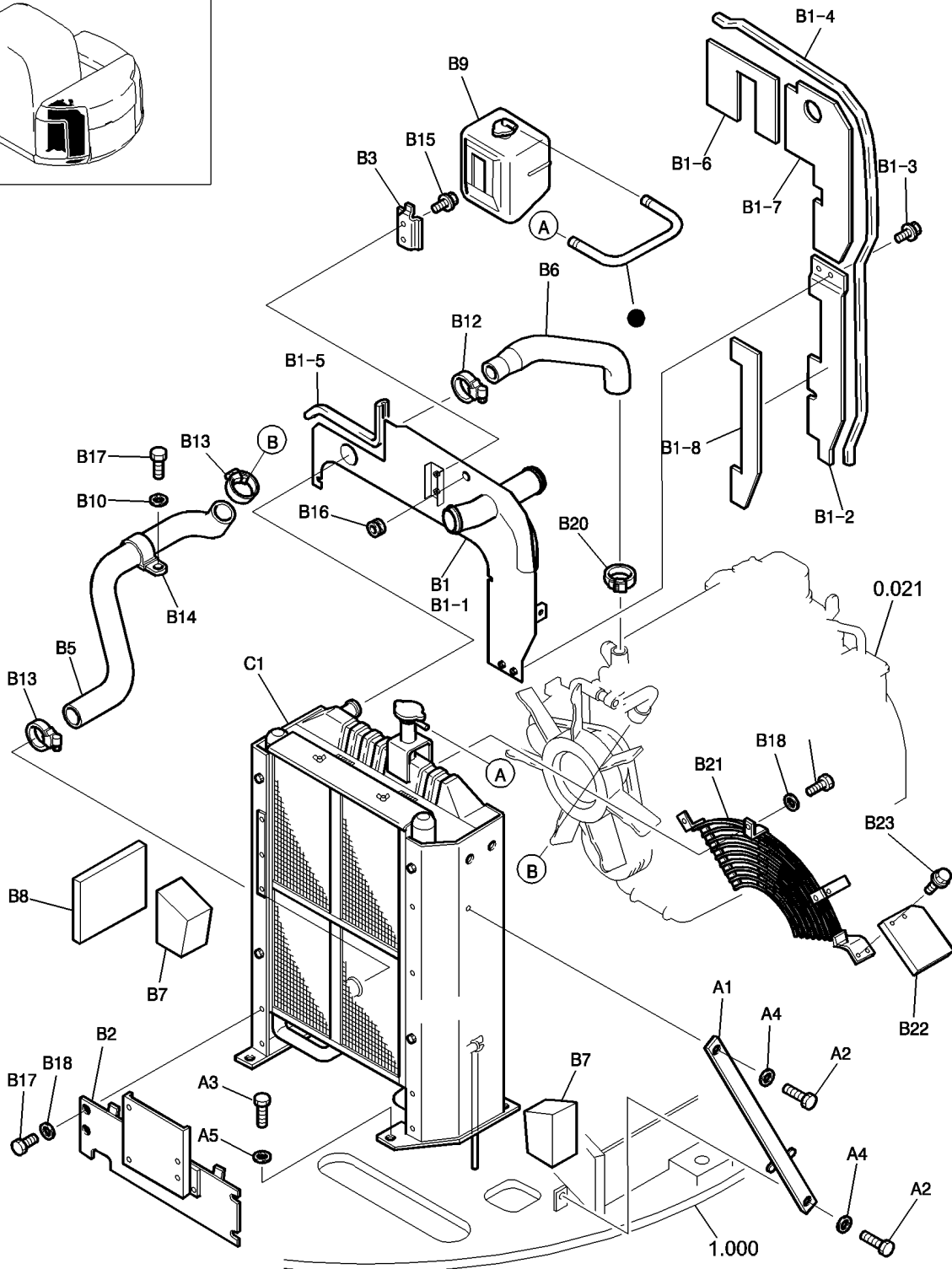
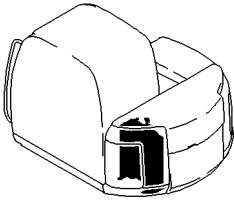


SILENCIADOR
MUFFLER
MUFFLER
MUFFLER

R	N	P.N.	MOD	Q	Description Denominacion	Descrizione Beskrivelse	Bezeichnung Denominação	Description Beschrijving	L.C.
1		72150509		1	BRACKET PIEZA DE SOPORTE	STAFFA BESLAG	KONSOLE□ BRACADEIRA	PATTE FIXATION STEUNBEUGEL	225S
2		72150510		1	MUFFLER SILENCIADOR	SILENZIATORE LYDDAEMPER	SCHALLDÄMPFER□ SILENCIADOR	SILENCIEUX KNALPOT	160S
3		YT12P01003P1		1	TUBE TUBO	TUBETTO RØR	ROHR□ TUBO	TUBE BUISJE	195T
4		72150949		1	GASKET JUNTA HERMETICA	GUARNIZIONE PAKNING	DICHTUNG, FLACH JUNTA	JOINT DICHTINGSSTUK	123G
5		72150511		2	U-BOLT HORQUILLA	CAVALLOTTO HAARNAAL	BÜGELSCHRAUBE□ MOLA DE ENGATE	CAVALIER VEERKLEM	100C
6		YT12P01007P1		1	CLAMP BORNE	MORSETTO SPÆNDEBÅND	KLEMME BORNE	BRIDE KLEM	120M
7		ZS18C10035		2	SCREW TORNILLO	VITE SKRUE	SCHRAUBE PARAFUSO	VIS SCHROEF	040V
8		14496624		2	WASHER, M10 x 21 x 2 ARANDELA	ROSETTA PIANA FLADSKIVE	UNTERLEGSCHIEBE ANILHA	RONDELLE SLUITRING	131R
9		72210038		10	NUT TUERCA	DADO MOETRIK	MUTTER PORCA	ECROU MOER	010D
10		ZC16X01200		1	CLIP SUJETADOR	FERMAGLIO KLIPS	KLEMME□ FIXADOR	CLIP KLEM	045F
11		HX11Y07050DX		1	HOSE MANGA	MANICOTTO FLESSIBILE SLANGE	SCHLAUCH TUBO FLEXIVEL	FLEXIBLE FLEXIBELE BUIS	030M
12		ZN18C10008		2	NUT TUERCA	DADO MOETRIK	MUTTER PORCA	ECROU MOER	010D
13		72954510		1	CLAMP BORNE	MORSETTO SPÆNDEBÅND	KLEMME BORNE	BRIDE KLEM	120M
14		ZM66C06020		2	BOLT TORNILLO	BULLONE SKRUE	SCHRAUBE PARAFUSO	BOULON BOUT	140B
15		72954512		1	TUBE TUBO	TUBETTO RØR	ROHR□ TUBO	TUBE BUISJE	195T

E80MSR

RADIATOR
 RADIATORE
 KÜHLER
 RADIATEUR



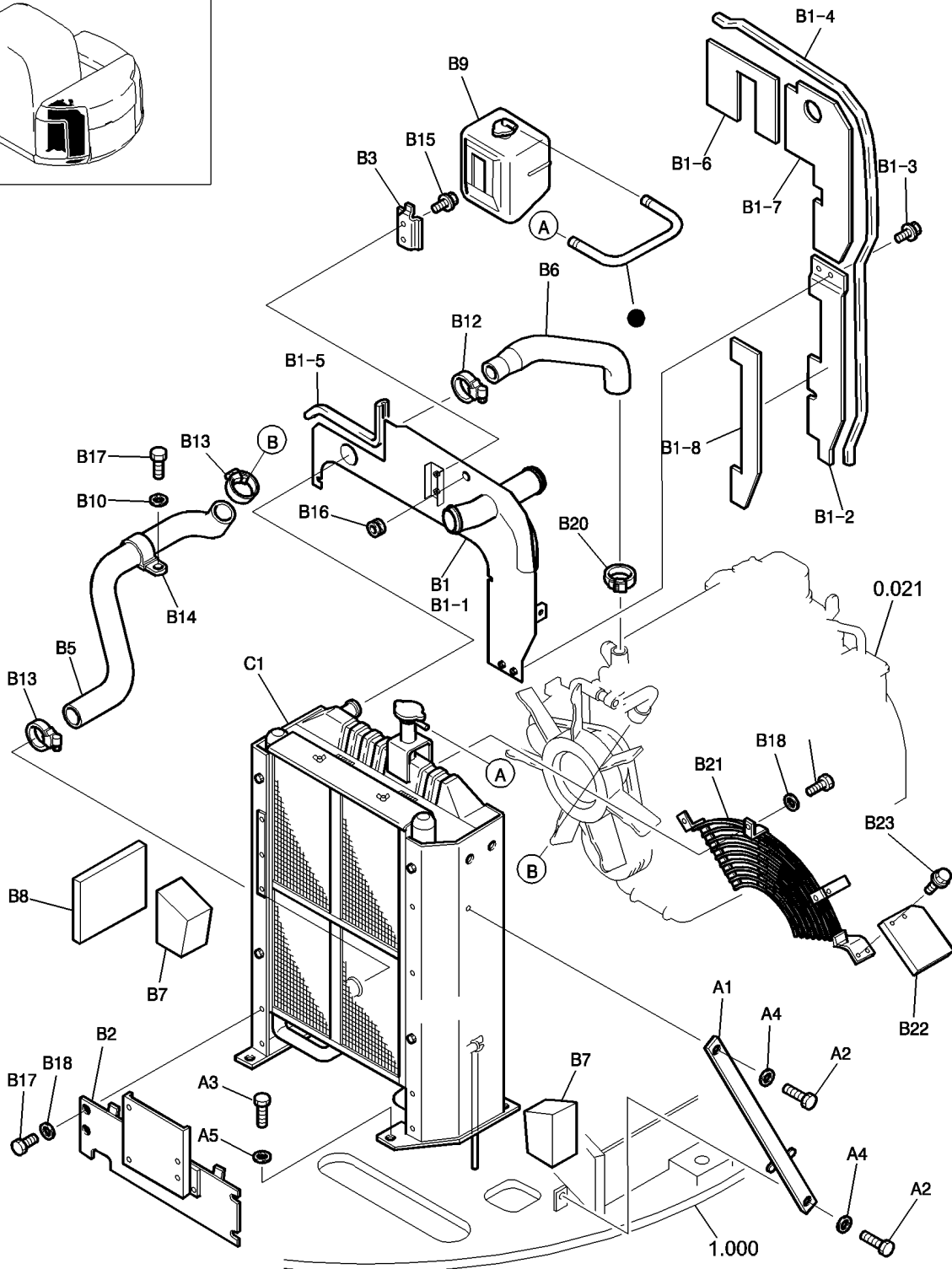
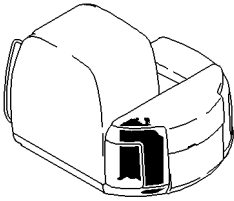
PARTS MARKED ● ARE NOT SUPPLIED AS SPARES
 I PARTICOLARI CONTRASSEGNA TI CON ● NON
 VENGONO FORNITI DI RICAMBIO

RADIADOR
RADIATOR
RADIATOR
RADIATOR

R	N	P.N.	MOD	Q	Description Denominacion	Descrizione Beskrivelse	Bezeichnung Denominação	Description Beschrijving	L.C.
A1		72954485		1					P357
A2		ZS18C10025		2	SCREW, Hex, M10 x 25 TORNILLO	VITE SKRUE	SCHRAUBE PARAFUSO	VIS SCHROEF	040V
A3		ZS18C12030		4	SCREW TORNILLO	VITE SKRUE	SCHRAUBE PARAFUSO	VIS SCHROEF	040V
A4		47045385		2	WASHER ARANDELA	ROSETTA PIANA FLADSKIVE	UNTERLEGSCHIEBE ANILHA	RONDELLE SLUITRING	131R
A5		14496724		4	WASHER, M12 x 24 x 2.5 ARANDELA	ROSETTA PIANA FLADSKIVE	UNTERLEGSCHIEBE ANILHA	RONDELLE SLUITRING	131R
B1		72150503		1	BRACKET PIEZA DE SOPORTE	STAFFA BESLAG	KONSOLE BRACADEIRA	PATTE FIXATION STEUNBEUGEL	225S
B1-1		72150504		1	BRACKET PIEZA DE SOPORTE	STAFFA BESLAG	KONSOLE BRACADEIRA	PATTE FIXATION STEUNBEUGEL	225S
B1-2		72957357		1	PLATE PLACA	PIASTRA PLADE	BLECH, PLATTE CHAPA	PLAQUE PLAAT	105P
B1-3		72951648		2	SCREW TORNILLO	VITE SKRUE	SCHRAUBE PARAFUSO	VIS SCHROEF	040V
B1-4		72957341		1	WEATHERSTRIP REBORDE DE GOMA	BORDINO DI GOMMA TÆTNINGSLISTE, GUMM	DICHTSTREIFEN BORRACHA DE PARABR	JOINT PAREBRISE RUBBEREN SLIJTSTRIP	105B
B1-5		72957190		1	WEATHERSTRIP, RUBBER PERFIL DE GOMA	PROFILATO DI GOMMA GUMMIPROFIL	ABDICHTGUMMI PERFIL DE BORRACHA	PROFILE CAOUTCHOUC RUBBERENPROFIEL	216P
B1-6		72150505		1	INSULATION, FOAM ESPUMA AISLANTE	SCHIUMA ISOLANTE SKUM ISOLERING	ISOLIERSCHAUM ESPUMA ISOLANTE	MOUSSE ISOLANTE ISOLATIESCHUIM	051S
B1-7		72150506		1	INSULATION, FOAM ESPUMA AISLANTE	SCHIUMA ISOLANTE SKUM ISOLERING	ISOLIERSCHAUM ESPUMA ISOLANTE	MOUSSE ISOLANTE ISOLATIESCHUIM	051S
B1-8		72150507		1	INSULATION, FOAM ESPUMA AISLANTE	SCHIUMA ISOLANTE SKUM ISOLERING	ISOLIERSCHAUM ESPUMA ISOLANTE	MOUSSE ISOLANTE ISOLATIESCHUIM	051S
B2		72954488		1	BRACKET PIEZA DE SOPORTE	STAFFA BESLAG	KONSOLE BRACADEIRA	PATTE FIXATION STEUNBEUGEL	225S
B3		72954115		1	BRACKET PIEZA DE SOPORTE	STAFFA BESLAG	KONSOLE BRACADEIRA	PATTE FIXATION STEUNBEUGEL	225S
B5		YT05P01020P1		1	HOSE MANGA	MANICOTTO FLESSIBILE SLANGE	SCHLAUCH TUBO FLEXIVEL	FLEXIBLE FLEXIBELE BUIS	030M
B6		YT05P01045P1		1	HOSE MANGA	MANICOTTO FLESSIBILE SLANGE	SCHLAUCH TUBO FLEXIVEL	FLEXIBLE FLEXIBELE BUIS	030M
B7		72954484		2	INSULATION, FOAM ESPUMA AISLANTE	SCHIUMA ISOLANTE SKUM ISOLERING	ISOLIERSCHAUM ESPUMA ISOLANTE	MOUSSE ISOLANTE ISOLATIESCHUIM	051S
B8		72954483		1	INSULATION, FOAM ESPUMA AISLANTE	SCHIUMA ISOLANTE SKUM ISOLERING	ISOLIERSCHAUM ESPUMA ISOLANTE	MOUSSE ISOLANTE ISOLATIESCHUIM	051S
B9		YT05P01041F1		1	TANK DEPOSITO	SERBATOIO TANK	TANK DEPOSITO	RESERVOIR TANK	115S
B10		72209113		1	WASHER ARANDELA	ROSETTA PIANA FLADSKIVE	UNTERLEGSCHIEBE ANILHA	RONDELLE SLUITRING	131R
B12		ZC16X03900		1	CLIP SUJETADOR	FERMAGLIO KLIPS	KLEMME FIXADOR	CLIP KLEM	045F
B13		ZC16X04500		2	CLIP SUJETADOR	FERMAGLIO KLIPS	KLEMME FIXADOR	CLIP KLEM	045F

E80MSR

RADIATOR
RADIATORE
KÜHLER
RADIATEUR



PARTS MARKED ● ARE NOT SUPPLIED AS SPARES
I PARTICOLARI CONTRASSEGNA TI CON ● NON
VENGONO FORNITI DI RICAMBIO

BUY NOW

**Then Instant Download
the Complete Manual
Thank you very much!**