

PARTS CATALOG

Product Line

**CATALOGO PARTI
DI RICAMBIO**

Model LB110.B

**CATALOGUE DES PIECES
DETACHEES**

ERSATZTEILKATALOG

**CATÁLOGO DES PIEZAS
DE REPUESTO**

**CATÁLOGO DE PEÇAS
SOBRESSALENTES**

ONDERDELENLIJST

RESERVEDELSKATALOG

CATALOGUE n. 604.04.315.01
2nd Edition 09 - 2006

 **NEW HOLLAND**

TABLE OF CONTENTS

MAIN	00	SECTIONS
MPARTS	00	MAINTENANCE PARTS
SEC. 01	00	ENGINE 1/2
SEC. 01	01	ENGINE 2/2
0.021/ 1	01	ENGINE
0.040	01	CYLINDER BLOCK
0.040	02	CYLINDER BLOCK
0.042	01	OIL PUMP, PAN
0.043	01	CYLINDER BLOCK - COVERS
0.043	02	CYLINDER BLOCK - COVERS
0.043	03	CYLINDER BLOCK - COVERS
0.045	01	BREATHER - ENGINE
0.060	01	CYLINDER HEAD
0.063	01	CYLINDER HEAD - COVERS
0.066	01	CYLINDER HEAD - VALVE MECHANISM
0.071/ 1	01	MANIFOLD - INTAKE
0.077/ 1	01	MANIFOLD - EXHAUST
0.080	01	CRANKSHAFT
0.081	01	PISTONS - CONNECTING ROD
0.082	01	PISTONS - CONNECTING ROD
0.083	01	FLYWHEEL - ENGINE
0.084	01	PULLEY - CRANKSHAFT
0.105	01	DYNAMIC BALANCER, GEARS & SHAFTS
0.105	02	DYNAMIC BALANCER, GEARS & SHAFTS (2831300)
0.120	01	CAMSHAFT
0.140/ 1	01	FUEL INJECTION PUMP
0.140/ 1	02	FUEL INJECTION SYSTEM
0.142	01	FUEL INJECTION SYSTEM
0.149	01	FUEL INJECTION SYSTEM
0.200	01	FUEL FILTER
0.201	01	FUEL PUMP
0.203	01	FUEL INJECTION SYSTEM
0.204	01	FUEL INJECTION SYSTEM
0.240/ 1	01	TURBOCHARGER
0.270	01	ENGINE, OIL
0.270/A	01	ENGINE, OIL
0.300	01	OIL PUMP - ENGINE
0.302	01	OIL FILTERS - ENGINE
0.305	01	PIPING - ENGINE OIL
0.315	01	OIL FILTER AND COOLER
0.320	01	WATER PUMP
0.323	01	COOLING SYSTEM - ENGINE
0.326	01	THERMOSTAT - ENGINE COOLING SYSTEM
0.340	01	WATER PUMP - CONTROL
0.340/A	01	WATER PUMP - CONTROL
0.345	01	FAN DRIVE
0.345/A	01	FAN DRIVE
0.350	01	POWER TAKE-OFF
0.360	01	STARTER MOTOR
0.400	01	ALTERNATOR
0.450	01	ENGINE - LIFT HOOK
636A	01	ACCESSORY ENGINE
636A	04	ACCESSORY ENGINE- ALTERNATOR
636A	05	ACCESSORY ENGINE - BRACKET MUFFLER
636A	06	ACCESSORY ENGINE - STARTER

TABLE OF CONTENTS

638A	01	ACCESSORY ENGINE
638A	02	ACCESSORY ENGINE - VENTILATOR
638A	03	ACCESSORY ENGINE - STARTER
638A	04	ACCESSORY ENGINE- ALTERNATOR
638A	05	ACCESSORY ENGINE - BRACKET MUFFLER
639A	01	ACCESSORY ENGINE
639A	02	ACCESSORY ENGINE - VENTILATOR
639A	03	ACCESSORY ENGINE - STARTER
639A	04	ACCESSORY ENGINE- ALTERNATOR
SEC. 02	00	FUEL TANK - MUFFLER - RADIATOR - AIR CLEANER - CHASSIS
1.14.0	01	FUEL TANK & RELATED PARTS
1.15.0	01	MUFFLER & EXTENSIONS
1.15.0	02	MUFFLER & EXTENSIONS
1.17.2	01	EXPANSION TANK
1.19.1	01	AIR CLEANER & HOSES
1.21.5/ 1	01	FRAME (CENTER PIVOT)
1.21.5/ 3	01	FRAME (SIDE SHIFT)
175	01	AIR INTAKE CAP & PRE-CLEANER
176	01	AIR INTAKE CAP & PRE-CLEANER
203	01	FRONT WEIGHTS
207	01	REAR WEIGHT (CENTER PIVOT)
215	01	FRONT WEIGHTS
638	01	RADIATOR
638	02	RADIATOR
639	01	RADIATOR
639	02	RADIATOR
639	03	RADIATOR
SEC. 03	00	TRANSMISSION 1/2
SEC. 03	01	TRANSMISSION 2/2
1.28.0	01	GEARING SPEED GEAR
1.28.0/ A	01	TRANSMISSIONGEARING SPEED GEAR (2WD POWER-SHUTTLE)
1.28.0/ A	02	TRANSMISSIONGEARING SPEED GEAR (2WD POWER-SHUTTLE)
1.28.0/ A	03	TRANSMISSIONGEARING SPEED GEAR (2WD POWER-SHUTTLE)
1.28.0/ A	04	TRANSMISSIONGEARING SPEED GEAR (2WD POWER-SHUTTLE)
1.28.0/ A	05	TRANSMISSIONGEARING SPEED GEAR (2WD POWER-SHUTTLE)
1.28.0/ A	06	TRANSMISSIONGEARING SPEED GEAR (2WD POWER-SHUTTLE)
1.28.0/ A	07	TRANSMISSIONGEARING SPEED GEAR (2WD POWER-SHUTTLE)
1.28.0/ B	01	TRANSMISSIONGEARING SPEED GEAR (4WD POWER-SHUTTLE)
1.28.0/ B	02	TRANSMISSIONGEARING SPEED GEAR (4WD POWER-SHUTTLE)
1.28.0/ B	03	TRANSMISSIONGEARING SPEED GEAR (4WD POWER-SHUTTLE)
1.28.0/ B	04	TRANSMISSIONGEARING SPEED GEAR (4WD POWER-SHUTTLE)
1.28.0/ B	05	TRANSMISSIONGEARING SPEED GEAR (4WD POWER-SHUTTLE)
1.28.0/ B	06	TRANSMISSIONGEARING SPEED GEAR (4WD POWER-SHUTTLE)
1.28.0/ B	07	TRANSMISSIONGEARING SPEED GEAR (4WD POWER-SHUTTLE)
1.28.0/ B	08	TRANSMISSIONGEARING SPEED GEAR (4WD POWER-SHUTTLE)
1.28.0/ C	01	TRANSMISSIONGEARING SPEED GEAR (4WD POWER-SHIFT)
1.28.0/ C	02	TRANSMISSIONGEARING SPEED GEAR (4WD POWER-SHIFT)
1.28.0/ C	03	TRANSMISSIONGEARING SPEED GEAR (4WD POWER-SHIFT)
1.28.0/ C	04	TRANSMISSIONGEARING SPEED GEAR (4WD POWER-SHIFT)
1.28.0/ C	05	TRANSMISSIONGEARING SPEED GEAR (4WD POWER-SHIFT)
1.28.0/ C	06	TRANSMISSIONGEARING SPEED GEAR (4WD POWER-SHIFT)
1.28.0/ C	07	TRANSMISSIONGEARING SPEED GEAR (4WD POWER-SHIFT)
1.28.0/ C	08	TRANSMISSIONGEARING SPEED GEAR (4WD POWER-SHIFT)
1.28.0/ C	09	TRANSMISSIONGEARING SPEED GEAR (4WD POWER-SHIFT)
1.28.0/ C	10	TRANSMISSIONGEARING SPEED GEAR (4WD POWER-SHIFT)

TABLE OF CONTENTS

1.28.0/ C	11	TRANSMISSIONGEARING SPEED GEAR (4WD, 2WS, POWER-SHIFT)
1.28.0/ C	12	TRANSMISSIONGEARING SPEED GEAR (4WD POWER-SHIFT)
1.28.0/ C	13	TRANSMISSIONGEARING SPEED GEAR (4WD, 2WS, POWER-SHIFT)
1.28.0/ C	14	TRANSMISSIONGEARING SPEED GEAR (4WD POWER-SHIFT)
1.28.0/ C	15	TRANSMISSIONGEARING SPEED GEAR (4WD POWER-SHIFT)
1.28.0/ C	16	TRANSMISSIONGEARING SPEED GEAR (4WD POWER-SHIFT)
1.28.6	01	GEAR FILTER PIPES (POWER-SHUTTLE)
1.28.6/ 1	01	GEAR FILTER PIPES (POWER-SHIFT)
1.29.1	01	TRANSMISSION ESTERNALSHIFTING CONTROLS (POWER-SHUTTLE)
1.38.1	01	FRONT & REAR DRIVESHAFT (POWER-SHUTTLE)
1.38.1/ 1	01	FRONT & REAR DRIVESHAFT (POWER-SHIFT)
1.39.8	01	TRANSMISSION OIL COOLING PIPES (POWER-SHUTTLE)
1.39.8/ 1	01	TRANSMISSION OIL COOLING PIPES (POWER-SHIFT)
1.40.8	01	HYDRAULIC DIFFERENTIAL LOCK (CENTER PIVOT, SIDE SHIFT)
SEC. 04	00	FRONT AXLE
402	01	4WD FRONT AXLE, HOUSING, BUSHINGS & SUPPORTS
402	02	4WD FRONT AXLE, SWIVEL HOUSING & STEERING CYLINDER
402	03	4WD FRONT AXLE, HUBS
402	04	4WD FRONT AXLE, RING GEAR & PINION ASSEMBLY
402	05	4WD FRONT AXLE, DIFFERENTIAL
402	06	4WD FRONT AXLE, DRIVE SHAFT
415	01	FRONT AXLE - (4WD) W/GEAR,BEVEL
415	02	FRONT AXLE - (4WD) W/GEAR,BEVEL
415	03	FRONT AXLE - (4WD) W/GEAR,BEVEL
415	04	FRONT AXLE - (4WD) W/GEAR,BEVEL
415	05	FRONT AXLE - (4WD) W/GEAR,BEVEL
415	06	FRONT AXLE - (4WD) W/GEAR,BEVEL
SEC. 05	00	REAR AXLE
1.44.0A	01	REAR AXLE (POWER-SHUTTLE)
1.44.0A	02	REAR AXLE (POWER-SHUTTLE)
1.44.0A	03	REAR AXLE (POWER-SHUTTLE)
1.44.0A	04	REAR AXLE (POWER-SHUTTLE)
1.44.0B	01	REAR AXLE (POWER-SHIFT)
1.44.0B	02	REAR AXLE (POWER-SHIFT)
1.44.0B	03	REAR AXLE (POWER-SHIFT)
1.44.0B	04	REAR AXLE (POWER-SHIFT)
1.44.0C	01	REAR AXLE (POWER-SHIFT)
1.44.0C	02	REAR AXLE (POWER-SHIFT)
1.44.0C	03	REAR AXLE (POWER-SHIFT)
1.44.0C	04	REAR AXLE (POWER-SHIFT)
1.44.0D	01	REAR AXLE (POWER-SHUTTLE) (SIDE SHIFT)
1.44.0D	02	REAR AXLE (POWER-SHUTTLE) (SIDE SHIFT)
1.44.0D	03	REAR AXLE (POWER-SHUTTLE) (SIDE SHIFT)
1.44.0D	04	REAR AXLE (POWER-SHUTTLE) (SIDE SHIFT)
SEC. 06	00	ELECTRICAL
1.75.2	01	CHASSIS HARNESS & GROUND WIRE (POWER SHUTTLE)
1.75.2	02	CHASSIS HARNESS & GROUND WIRE (POWER SHUTTLE)
1.75.2	03	BATTERY LOCK-OUT SWITCH & GROUND WIRE (POWER SHUTTLE)
1.75.2	04	ENGINE HARNESS (POWER SHUTTLE)
1.75.2/ 1	01	CHASSIS HARNESS & GROUND WIRE (POWER SHIFT)
1.75.2/ 1	02	CHASSIS HARNESS & GROUND WIRE (POWER SHIFT)
1.75.2/ 1	03	BATTERY LOCK-OUT SWITCH & GROUND WIRE (POWER SHIFT)
1.75.2/ 1	04	ENGINE HARNESS (POWER SHIFT)
1.75.2/ 4	01	CHASSIS HARNESS & GROUND WIRE (POWER SHIFT)
1.75.2/ 4	02	BATTERY LOCK-OUT SWITCH & GROUND WIRE (POWER SHIFT)

TABLE OF CONTENTS

1.75.2/ 4	03	ENGINE HARNESS (POWER SHIFT)
131	01	SINGLE BATTERY
321	01	DOUBLE BATTERY
995	01	COLD START
995	02	COLD START
SEC. 07	00	SLIDES VALVES
1.82.0	01	HYDRAULIC OIL RESERVOIR
1.82.3/ 1	01	HYDRAULIC PUMP (40+35-165L/MM)
1.82.6	01	HYDRAULIC SYSTEM PIPING
1.82.6	01A	FRONT HYDRAULIC PUMP INTAKE & OUTLET HOSES (CENTER PIVOT)
1.82.6	02	HYDRAULIC SYSTEM PIPING
1.82.6	02A	REAR HYDRAULIC PUMP STABILIZER, LOADER & BACKHOE VALVE HOSES (CENTER PIVOT)
1.82.6	03	HYDRAULIC SYSTEM PIPING
1.82.6	03A	HYDRAULIC SYSTEM PIPING(CENTER PIVOT)
1.82.6	04	HYDRAULIC SYSTEM PIPING
1.82.6	04A	RETURN MANIFOLD HOSES
1.82.6	05	HYDRAULIC SYSTEM PIPING
1.82.6	06	HYDRAULIC SYSTEM PIPING
1.82.6	06A	FILTER ASSEMBLY & HOSE TO RETURN MANIFOLD (CENTER PIVOT)
1.82.6	07	HYDRAULIC SYSTEM PIPING
1.82.6	08	HYDRAULIC SYSTEM PIPING
1.82.6	08A	LOADER LIFT CYLINDER HOSES (CENTER PIVOT)
1.82.6	09	HYDRAULIC SYSTEM PIPING
1.82.6	09A	LOADER BUCKET CYLINDER HOSES (CENTER PIVOT)
1.82.6	09B	BACKHOE SWING CYLINDER HOSES (CENTER PIVOT)
1.82.6	09C	HYDRAULIC SYSTEM PIPING
1.82.6	09D	HYDRAULIC SYSTEM PIPING
1.82.6	11	HYDRAULIC SYSTEM PIPING(SIDE SHIFT)
1.82.6	11A	BACKHOE CONTROL VALVE HOSES (CENTER PIVOT)
1.82.6	11B	HYDRAULIC SYSTEM PIPING
1.82.6	12	HYDRAULIC SYSTEM PIPING
1.82.6	13	HYDRAULIC SYSTEM PIPING(SIDE SHIFT)
1.82.6	13A	ROTATION PLATE HOSE CLAMPS
1.82.6	14	HYDRAULIC SYSTEM PIPING
1.82.6	15	HYDRAULIC SYSTEM PIPING
1.82.6	16	BACKHOE CONTROL VALVE(CENTER PIVOT)
1.82.6	17	DIPPER VALVE SECTION (CENTER PIVOT)
1.82.6	18	BUCKET, SWING, & BOOM VALVE SECTION (CENTER PIVOT)
301	01	BACKHOE CONTROL VALVE, 6 SECTIONS (SIDE SHIFT)
301	02	BACKHOE CONTROL VALVE, STABILIZER SECTION (SIDE SHIFT)
301	03	BACKHOE CONTROL VALVE, OULET SECTION (SIDE SHIFT)
302	01	TWO-SECTION CONTROL VALVE FOR LOADER
302	02	TWO-SECTION CONTROL VALVE FOR LOADER
302	03	TWO-SECTION CONTROL VALVE FOR LOADER
302	04	TWO-SECTION CONTROL VALVE FOR LOADER
311	01	STABILIZER CYLINDER - LOCK VALVE (SIDE SHIFT)
311	02	STABILIZER CYLINDER - LOCK VALVE (SIDE SHIFT)
328	01	HYDRAULIC SYSTEM PIPING(SIDE SHIFT)
331/ A	01	6 SECTION PILOT CONTROL VALVE SUPPORT, COMPLETE
331/ A	02	2 SECTION PILOT CONTROL VALVE SUPPORT, COMPLETE
331/ B	01	PILOT CONTROL VALVE SUPPORT, COMPLETE
331/ C	01	6 SECTION PILOT CONTROL VALVE SUPPORT, COMPLETE
331/ C	02	6 SECTION PILOT CONTROL VALVE SUPPORT, COMPLETE
331/ C	03	6 SECTION PILOT CONTROL VALVE SUPPORT, COMPLETE

TABLE OF CONTENTS

331/ C	04	6 SECTION PILOT CONTROL VALVE SUPPORT, COMPLETE
331/ C	05	6 SECTION PILOT CONTROL VALVE SUPPORT, COMPLETE
331/ C	06	6 SECTION PILOT CONTROL VALVE SUPPORT, COMPLETE (CENTER PIVOT)
331/ C	07	VALVE, JOYSTICK PILOT CONTROLS (LEFT HAND)
331/ C	08	VALVE, JOYSTICK PILOT CONTROLS (RIGHT HAND) - STANDARD VERSION
331/ 1	01	BACKHOE CONTROL VALVE, 6 SECTIONS (CENTER PIVOT) EUROPE
331/ 1	02	BACKHOE CONTROL VALVE, INLET SECTION (CENTER PIVOT)
331/ 1	03	BACKHOE CONTROL VALVE, BOOM SECTION (CENTER PIVOT) EUROPE
331/ 1	04	BACKHOE CONTROL VALVE, SWING SECTION (CENTER PIVOT) EUROPE
331/ 1	05	BACKHOE CONTROL VALVE, BUCKET SECTION (CENTER PIVOT) EUROPE
331/ 1	06	BACKHOE CONTROL VALVE, DIPPERSTICK SECTION (CENTER PIVOT) EUROPE
331/ 1	07	BACKHOE CONTROL VALVE, STABILIZER SECTION (CENTER PIVOT) EUROPE
332	01	BACKHOE CONTROL VALVE, 6 SECTIONS (SIDE SHIFT) EUROPE
332	02	BACKHOE CONTROL VALVE, 6 SECTIONS (SIDE SHIFT) EUROPE
332	03	BACKHOE CONTROL VALVE, 6 SECTIONS (SIDE SHIFT) EUROPE
332	04	BACKHOE CONTROL VALVE, 6 SECTIONS (SIDE SHIFT) EUROPE
332	05	BACKHOE CONTROL VALVE, 6 SECTIONS (SIDE SHIFT) EUROPE
332	06	BACKHOE CONTROL VALVE, 6 SECTIONS (SIDE SHIFT) EUROPE
332	07	BACKHOE CONTROL VALVE, 6 SECTIONS (SIDE SHIFT) EUROPE
332	13	6-SECTION PILOT CONTROL VALVE SUPPORT, COMPLETE (SIDE SHIFT) EUROPE
333	01	7-SECTIONS EXCAVATOR CONTROL VALVE (CENTER PIVOT) EUROPE
333	02	7-SECTIONS EXCAVATOR CONTROL VALVE (CENTER PIVOT) EUROPE
333/ A	01	7 SECTION PILOT CONTROL VALVE SUPPORT, COMPLETE
333/ A	02	7 SECTION PILOT CONTROL VALVE SUPPORT, COMPLETE
333/ A	03	7 SECTION PILOT CONTROL VALVE SUPPORT, COMPLETE
333/ B	01	7 SECTION PILOT CONTROL VALVE SUPPORT, COMPLETE
333/ B	02	7 SECTION PILOT CONTROL VALVE SUPPORT, COMPLETE (CENTER PIVOT) EUROPE
333/ B	03	7 SECTION PILOT CONTROL VALVE SUPPORT, COMPLETE
333/ B	04	7 SECTION PILOT CONTROL VALVE SUPPORT, COMPLETE
333/ B	05	7 SECTION PILOT CONTROL VALVE SUPPORT, COMPLETE
333/ B	06	7 SECTION PILOT CONTROL VALVE SUPPORT, COMPLETE (CENTER PIVOT) EUROPE
333/ B	07	7 SECTION PILOT CONTROL VALVE SUPPORT, COMPLETE (CENTER PIVOT) EUROPE
333/ B	08	7 SECTION PILOT CONTROL VALVE SUPPORT, COMPLETE
333/ B	09	7 SECTION PILOT CONTROL VALVE SUPPORT, COMPLETE (CENTER PIVOT) EUROPE
333/ 1	08	7-SECTIONS EXCAVATOR CONTROL VALVE (CENTER PIVOT) NORTH AMERICA
334	01	7-SECTIONS EXCAVATOR CONTROL VALVE (SIDE SHIFT) EUROPE
334	02	7-SECTIONS EXCAVATOR CONTROL VALVE (SIDE SHIFT) EUROPE
334	08	7-SECTIONS EXCAVATOR CONTROL VALVE (SIDE SHIFT) EUROPE
334	09	7-SECTIONS EXCAVATOR CONTROL VALVE
334	11	7-SECTIONS EXCAVATOR CONTROL VALVE
336	01	TWO SECTION LOADER CONTROL VALVE (CENTER PIVOT)
336	02	LOADER CONTROL VALVE, TWO SECTION, CAP & UNLOAD VALVE (CENTER PIVOT)
336	03	LOADER CONTROL VALVE, TWO SECTION, RELIEF & CHECK VALVES (CENTER PIVOT)
336	04	LOADER CONTROL VALVE, TWO SECTION, BY-PASS KIT (CENTER PIVOT)
336	05	LOADER CONTROL VALVE, TWO SECTION, UNLOAD KIT OR DUMP VALVE (CENTER PIVOT)
339	01	LOADER CONTROL VALVE, THREE SECTION (CENTER PIVOT)
339	02	LOADER CONTROL VALVE, THREE SECTION, CAP & UNLOAD VALVE (CENTER PIVOT)

TABLE OF CONTENTS

339	03	LOADER CONTROL VALVE, THREE SECTION, RELIEF & CHECK VALVES (CENTER PIVOT)
339/ A	01	THREE-SECTION CONTROL VALVE FOR LOADER - BUCKET SECTION 4X1 / 6X1(CENTER PIVOT)
341	01	8-SECTIONS EXCAVATOR CONTROL VALVE(CENTER PIVOT) EUROPE
341	02	EXCAVATOR CONTROL VALVES GROUP 8 SECTIONS - OPTIONAL SECTION
341/ A	01	8 SECTION PILOT CONTROL VALVE SUPPORT,COMPLETE
341/ A	02	PROPORTIONAL VALVE 4 OPERATIONS
341/ B	01	8 SECTION PILOT CONTROL VALVE SUPPORT,COMPLETE
341/ B	03	8 SECTION PILOT CONTROL VALVE SUPPORT,COMPLETE
341/ B	07	8 SECTION PILOT CONTROL VALVE SUPPORT,COMPLETE(CENTER PIVOT)EUROPE
341/ B	08	8 SECTION PILOT CONTROL VALVE SUPPORT,COMPLETE(
341/ C	03	6 SECTION PILOT CONTROL VALVE SUPPORT,COMPLETE
341/ C	04	VALVE, JOYSTICK (PILOT CONTROLS) (LEFT - HAND)
344	01	STABILIZER CONTROL VALVE, TWO SECTION (CENTER PIVOT)
344	02	STABILIZER CONTROL VALVE, LH & RH SECTION (CENTER PIVOT)
356	01	STABILIZER CONTROL VALVE, TREE SECTION (CENTER PIVOT)
391	01	LOCK VALVE FOR BUCKET 4X1 / 6X1
391/ 1	01	LOCK VALVE ON LOADER TILTING CYLINDERS
391/ 1	02	LOCK VALVE ON LOADER LIFT CYLINDERS
391/ 1	03	LOCK VALVE ON LOADER LIFT CYLINDERS
392	01	LOCKING VALVE ON BACKHOE LIFT AND DIPP. CYLINDER
392	02	BACKHOE LIFT & DIPPERSTICK CYLINDER LOCK VALVE
437	01	GLIDE RIDE VALVE,HYDRAULIC SYSTEM FOR MACHINE FRAME LEVELLING & ON/OFF SWITCH
437	02	GLIDE RIDE VALVE
437/ 1	01	GLIDE RIDE VALVE,HYDRAULIC SYSTEM FOR MACHINE FRAME LEVELLING
698	01	GLIDE RIDE VALVE,HYDRAULIC SYSTEM FOR MACHINE FRAME LEVELLING & ON/OFF SWITCH
702	01	PEDAL-OPERATED TELESCOPIC DIPPER HYDRAULIC SYSTEM (SIDE SHIFT)
702	02	PEDAL-OPERATED TELESCOPIC DIPPER HYDRAULIC SYSTEM (SIDE SHIFT)
702	07	PEDAL-OPERATED TELESCOPIC DIPPER HYDRAULIC SYSTEM (SIDE SHIFT)
708	01	THREE-SECTION CONTROL VALVE FOR LOADER
708	02	THREE-SECTION CONTROL VALVE FOR LOADER
708/ 1	01	KIT OF CONVERSION FROM 2 TO 3 SPOOLS
721	01	TELESCOPIC CONTROL VALVE, 3 SECTIONS(CENTER PIVOT)
721	02	HED TELESCOPIC CONTORL VALVE, SECTION HOSES(CENTER PIVOT)
721	03	HED CYLINDER PISTON END HYDRAULIC LINES(CENTER PIVOT)
721	04	HED CYLINDER ROD END HYDRAULIC LINES(CENTER PIVOT)
721	05	HED FOOT PEDAL, CABLE & DECALS(CENTER PIVOT)
SEC. 08	00	BODY & HOOD
1.83.0	01	HOOD, GRILLE & RELATED PARTS
1.87.2	01	CAB SCREEN
1.87.8	01	CAB FASTENERS
SEC. 09	00	LOADER 1/1
SEC. 09	01	BACKHOE 1/2
SEC. 09	02	BACKHOE 2/2
1.11.5	01	SELF-LEVELING LINKAGE, LOADER CONTROLS (CENTER PIVOT)
1.11.5	02	SELF-LEVELING LINKAGE, LOADER ARM (CENTER PIVOT)
1.21.4	01	REAR SUPPORT (SIDE SHIFT)
1.80.99	01	SWING POST ASSEMBLY, BUSHINGS & PINS
1.80.99	02	SWING POST PINS & TRANSPORT LOCK HOOK
1.88.01	01	TRANSPORT LOCK" REAR LOCKING" (CENTER PIVOT)
1.88.01	02	TRANSPORT LOCK" REAR LOCKING" (CENTER PIVOT)

TABLE OF CONTENTS

1.88.01/ 2	02	TRANSPORT LOCK HOOK, CYLINDER & HOSE (SIDE SHIFT,CENTER PIVOT, POWER SHIFT)
1.88.01/ 4	01	"TRANSPORT LOCK" ON/OFF SWITCH, VALVE & HOSES (POWER SHIFT, SIDE SHIFT, CENTER PIVOT)
1.88.01/ 4	02	TRANSPORT LOCK HOOK, CYLINDER & HOSE (SIDE SHIFT,CENTER PIVOT, POWER SHIFT)
1.88.09	01	DISTRIBUTOR VALVE SUPPORT (CENTER PIVOT)
1.88.09/ 1	01	DISTRIBUTOR VALVE SUPPORT (SIDE SHIFT)
1.88.11	01	ARMS AND JOINTS
1.88.11/ 1B	01	LIFT CYLINDER
1.88.11/ 2	02	LOADER BUCKET CONTROL CYLINDER
1.88.11/ 2A	01	LOADER BUCKET CONTROL CYLINDER
1.88.11/ 3	01	LIFT CYLINDER AND BUCKET PIPES
1.88.11/ 5A	01	SELF-LEVELING LINKAGE, LOADER CONTROLS (SIDE SHIFT)
1.88.11/ 5A	02	SELF-LEVELING LINKAGE, LOADER ARM (SIDE SHIFT)
1.88.11/ 6	02	STABILIZER CYLINDERS (CENTER PIVOT)
1.88.11/ 6B	01	STABILIZER CYLINDERS (SIDE SHIFT)
1.88.11/ 6C	01	STABILIZER CYLINDERS (SIDE SHIFT)
1.88.11/ 7	01	PIPES FOR STABILIZER CYLINDERS (CENTER PIVOT)
1.88.11/ 7B	01	PIPES FOR STABILIZER CYLINDERS (SIDE SHIFT)
1.88.11/ 7C	01	PIPES FOR STABILIZER CYLINDERS (SIDE SHIFT)
1.88.11/ 8	01	RETURN TO DIG SENSOR
1.88.11/ 9	01	CYLINDERS AND ROTATION PLATE (SIDE SHIFT)
1.88.11/ 9A	01	CYLINDERS AND ROTATION PLATE
1.88.11/ 9C	01	SWING CYLINDERS BACKHOE
1.88.12/ 3	01	FRONT CONTROL VALVE SUPPORT AND TRANSMISSIONS (CENTER PIVOT)
1.88.12/ 4	01	FRONT CONTROL VALVE SUPPORT AND TRANSMISSIONS (SIDE SHIFT)
120	01	SILENT HAMMER CB65S
120/ 1	01	HAMMER CB65B
128	01	APPROVAL FOR ITALY
128	02	APPROVAL FOR ITALY
128	03	APPROVAL FOR ITALY
128	04	APPROVAL FOR ITALY
128	05	APPROVAL FOR ITALY
128	07	APPROVAL FOR ITALY
129	01	APPROVAL FOR GERMANY
129	02	APPROVAL FOR GERMANY
129	03	APPROVAL FOR GERMANY
129	04	APPROVAL FOR GERMANY
129	05	APPROVAL FOR GERMANY
129	07	APPROVAL FOR GERMANY
130	01	APPROVAL FOR EUROPE
130	02	APPROVAL FOR EUROPE
130	03	APPROVAL FOR EUROPE
130	04	APPROVAL FOR EUROPE
140	01	UK VERSION
140	02	APPROVAL FOR UK-EUROPE
140	03	APPROVAL FOR UK-EUROPE
140	04	APPROVAL FOR UK-EUROPE
140	05	UK VERSION
140	06	APPROVAL FOR UK-EUROPE
141	01	APPROVAL FOR FRANCE-EUROPE
141	02	APPROVAL FOR FRANCE-EUROPE
141	03	APPROVAL FOR FRANCE-EUROPE
141	04	APPROVAL FOR FRANCE-EUROPE

TABLE OF CONTENTS

141	05	APPROVAL FOR FRANCE
200	01	SHOVEL AND REAR LIFTING HOOKS
374	01	HYDRAULIC SYSTEM FOR "TRANSPORT LOCK" REAR LOCKING (POWER SHUTTLE)
374	02	HYDRAULIC SYSTEM FOR "TRANSPORT LOCK" REAR LOCKING (POWER SHUTTLE)
375	01	TRANSPORT LOCK - EUROPE (POWER SHUTTLE)(CAB)
379	01	TRANSPORT LOCK" REAR LOCKING" (SIDE SHIFT)
379	02	TRANSPORT LOCK" REAR LOCKING" (SIDE SHIFT)
416-417	01	SYSTEM HAMMER COMPONENTS (CAB)
469/ A	01	HYDRAULIC CYLINDER (BUCKET 4X1-6X1)
471	01	BUCKET 4X1 (1 M3) WITH BLADE
471	02	BUCKET 4X1 (1 M3) WITH BLADE
471/ 1	01	BUCKET 4X1 (1 M3) WITH BLADE "COMMON GREY"
471/ 2	01	BUCKET 4X1 (1 M3) WITH BLADE "COMMON GREY"
472	01	BUCKET 4X1 (1 M3) WITH TINE
472	02	BUCKET 4X1 (1 M3) WITH TINE
472/ 1	01	BUCKET 4X1 (1 M3) WITH TINE "COMMON GREY"
472/ 2	01	BUCKET 4X1 (1 M3) WITH TINE "COMMON GREY"
473	01	BUCKET 6X1 (1 M3) WITH BLADE
473	02	BUCKET 6X1 (1 M3) WITH BLADE
473/ 1	01	BUCKET 6X1 (1 M3) WITH BLADE "COMMON GREY"
473/ 2	01	BUCKET 6X1 (1 M3) WITH BLADE "COMMON GREY"
474	01	BUCKET 6X1 (1 M3) WITH TINE
474	02	BUCKET 6X1 (1 M3) WITH TINE
474/ 1	01	BUCKET 6X1 (1 M3) WITH TINE "COMMON GREY"
474/ 2	01	BUCKET 6X1 (1 M3) WITH TINE "COMMON GREY"
514/ C	01	HYDRAULIC BUCKET CYLINDER
514/ E	01	HYDRAULIC DITCHING CYLINDER
515	01	12" (305MM) BACKHOE BUCKET WITH PIN TEETH
515	02	12" (305MM) BACKHOE BUCKET WITH BOLT-ON TEETH
516	01	18" (457MM) BACKHOE BUCKET WITH PIN TEETH
516	02	18" (457MM) BACKHOE BUCKET WITH BOLT-ON TEETH
517	01	24" (610MM) BACKHOE BUCKET WITH PIN TEETH
517	02	24" (610MM) BACKHOE BUCKET WITH BOLT-ON TEETH
518	01	30" (762MM) BACKHOE BUCKET WITH PIN TEETH
518	02	30" (762MM) BACKHOE BUCKET WITH BOLT-ON TEETH
519	01	36" (914MM) BACKHOE BUCKET WITH PIN TEETH
519	02	36" (914MM) BACKHOE BUCKET WITH BOLT-ON TEETH
520	01	0.88 M3 BUCKET WITHOUT TINES
522/ B	01	1 M3 BUCKET
522/ C	01	STANDARD 1MC BUCKET WITH FORKS
525	01	STANDARD 1M3 BUCKET WITH FORKS AND EXTRA REVERSIBLE BLADE
525	02	STANDARD 1M3 BUCKET WITH FORKS AND EXTRA REVERSIBLE BLADE
526	01	BOLT-ON TOOTH KIT, 12" (305MM) BACKHOE BUCKET
526/ 1	01	STANDARD 1M3 BUCKET WITH FORKS AND TINE
527	01	BOLT-ON TOOTH KIT, 18" (457MM) & 24" (610MM) BACKHOE BUCKETS
527/ 1	01	0.88 M3 BUCKET AND EXTRA REVERSIBLE BLADE
528	01	BOLT-ON TOOTH KIT, 30" (762MM) BACKHOE BUCKET
529	01	BOLT-ON TOOTH KIT, 36" (914MM) BACKHOE BUCKET
530	01	PIN TOOTH KIT, 12" (305MM) BACKHOE BUCKET
531	01	PIN TOOTH KIT, 18" (457MM) & 24" (610MM) BACKHOE BUCKETS
532	01	PIN TOOTH KIT, 30" (762MM) BACKHOE BUCKET
533	01	PIN TOOTH KIT, 36" (914MM) BACKHOE BUCKET
533/ 1	01	1.15 M3 BUCKET WITH FORKS AND CUTTER BLADE

TABLE OF CONTENTS

536/ 1	01	STANDARD 1MC BUCKET WITH TINE
537/ 1	01	STANDARD 1MC BUCKET WITH EXTRA REVERSIBLE BLADE
548	01	DITCH CLEANING BUCKET
555	01	FRONT BUCKET TEETH
556	01	LOADER BUCKET REVERSIBLE BLADE
626	01	SCRAB GRAB
648	01	FORK KIT, CONVERTS4X1 BUCKET TO 6X1
699	01	HAND HAMMER SWITCH
700/ 2	01	4X1 & 6X1 BUCKET HYDRAULIC LINES (P. SHUTTLE)
700/ 2	02	4X1 & 6X1 BUCKET HYDRAULIC LINES (P. SHUTTLE)
700/ 3	01	4X1 & 6X1 BUCKET HYDRAULIC LINES (P. SHIFT)
700/ 3	02	4X1 & 6X1 BUCKET HYDRAULIC LINES (P. SHIFT)
724	01	HYDRAULIC SYSTEM FOR HAMMER (CENTER PIVOT)
724	02	HYDRAULIC SYSTEM FOR HAMMER (CENTER PIVOT)
724/ A	01	REAR HAMMER CONTROL VALVE
724/ 1	01	HYDRAULIC SYSTEM FOR HAMMER (SIDE SHIFT)
724/ 2	01	HYDRAULIC SYSTEM FOR HAMMER (CENTER PIVOT)
724/ 2	02	HYDRAULIC SYSTEM FOR HAMMER
724/ 3	01	HYDRAULIC SYSTEM FOR HAMMER (CENTER PIVOT)
724/ 3	02	HYDRAULIC SYSTEM FOR HAMMER (CENTER PIVOT)
724/ 4	02	HYDRAULIC SYSTEM FOR BREAKER BACK (USA, 4WD, SIDE SHIFT EUROPA)
724/ 5	01	HYDRAULIC SYSTEM FOR HAMMER (4WS)
724/ 6	01	HYDRAULIC SYSTEM FOR HAMMER (SIDE SHIFT EUROPA)
725	01	HAMMER KIT FROM LIFTING ARM TO DEMOLITION ARM
725/ 1	01	4X1 & 6X1 BUCKET HYDRAULIC LINES
725/ 1	03	4X1 & 6X1 BUCKET HYDRAULIC LINES (P. SHIFT)
728	01	MANUAL HAMMER SYSTEM
728	02	MANUAL HAMMER SYSTEM
728/ A	01	MANUAL HAMMER VALVE
732	01	REAR MECHANICAL QUICK-COUPLING
732/ A	01	REAR MECHANICAL QUICK-COUPLING
734	01	FRONT MECHANICAL QUICK-COUPLING
900	01	BOOM - LONG DIPPER
900	02	LONG DIPPER
900	03	LONG/SHORT DIPPER - BUCKET MOTION
900	04	LONG DIPPËR - HYDRAULIC SYSTEM
900	05	LONG DIPPER - HYDRAULIC SYSTEM
900	06	LONG DIPPER - HYDRAULIC SYSTEM
900	07	LONG DIPPER - HYDRAULIC SYSTEM
901	01	TELESCOPIC DIPPER LONG/SHORT - HYDRAULIC SYSTEM
901/ A	01	TELESCOPIC DIPPER LONG
901/ B	01	TELESCOPIC DIPPER LONG- HYDRAULIC LIFTING CYLINDER
901/ C	01	TELESCOPIC DIPPER LONG - HYDRAULIC LIFTING CYLINDER
901/ D	01	HYDRAULIC LIFTING CYLINDER - TELESCOPIC DIPPER LONG
SEC. 10	00	BODY, HOOD & DRIVER'S POST 1/3
SEC. 10	01	BODY, HOOD & DRIVER'S POST 2/3
SEC. 10	02	BODY, HOOD & DRIVER'S POST 3/3
095	01	STABILIZER CONTROL WITHOUT AUTO-UP (CENTER PIVOT)
096	01	STABILIZER CONTROL WITH AUTO-UP (CENTER PIVOT)
1.63.0	01	POWER STEERING HYDRAULIC SYSTEM
1.91.1	01	CAB / CEILING LIGHT
1.91.1/ 1	01	SAFETY FRAME- INSTRUMENTS AND GAUGES
1.91.3	01	BACK-UP ALARM
1.91.4	03	IGNITON SWITCH, POWER POINT, FUSE PANEL & SIDE CONSOLE HARNESS (ROPS CP POWER SHUTTLE)

TABLE OF CONTENTS

1.91.4	04	IGNITON SWITCH, POWER POINT, FUSE PANEL & SIDE CONSOLE HARNESS (ROPS CP POWER SHUTTLE)
1.91.4/ 2	01	IGNITON SWITCH, POWER POINT, FUSE PANEL & SIDE CONSOLE HARNESS (CAB CP POWER SHUTTLE)
1.91.4/ 2	02	IGNITON SWITCH, POWER POINT, FUSE PANEL & SIDE CONSOLE HARNESS (CAB CP POWER SHUTTLE)
1.91.4/ 2	03	IGNITON SWITCH, POWER POINT, FUSE PANEL & SIDE CONSOLE HARNESS (CAB CP POWER SHUTTLE)
1.91.4/ 2	04	IGNITON SWITCH, POWER POINT, FUSE PANEL & SIDE CONSOLE HARNESS (CAB CP POWER SHUTTLE)
1.91.4/ 2	05	IGNITON SWITCH, POWER POINT, FUSE PANEL & SIDE CONSOLE HARNESS (CAB CP POWER SHUTTLE)
1.91.4/ 3	01	IGNITON SWITCH, POWER POINT, FUSE PANEL & SIDE CONSOLE HARNESS (CAB SS POWER SHUTTLE)
1.91.4/ 3	02	IGNITON SWITCH, POWER POINT, FUSE PANEL & SIDE CONSOLE HARNESS (CAB SS POWER SHUTTLE)
1.91.4/ 3	03	IGNITON SWITCH, POWER POINT, FUSE PANEL & SIDE CONSOLE HARNESS (CAB SS POWER SHUTTLE)
1.91.4/ 3	04	IGNITON SWITCH, POWER POINT, FUSE PANEL & SIDE CONSOLE HARNESS (CAB SS POWER SHUTTLE)
1.91.4/ 3	05	IGNITON SWITCH, POWER POINT, FUSE PANEL & SIDE CONSOLE HARNESS (CAB SS POWER SHUTTLE)
1.91.4/ 4	01	IGNITON SWITCH, POWER POINT, FUSE PANEL & SIDE CONSOLE HARNESS (CAB CP POWER SHIFT)
1.91.4/ 4	02	IGNITON SWITCH, POWER POINT, FUSE PANEL & SIDE CONSOLE HARNESS (CAB CP POWER SHIFT)
1.91.4/ 4	03	IGNITON SWITCH, POWER POINT, FUSE PANEL & SIDE CONSOLE HARNESS (CAB CP POWER SHIFT)
1.91.4/ 4	04	IGNITON SWITCH, POWER POINT, FUSE PANEL & SIDE CONSOLE HARNESS (CAB CP POWER SHIFT)
1.91.4/ 4	05	IGNITON SWITCH, POWER POINT, FUSE PANEL & SIDE CONSOLE HARNESS (CAB CP POWER SHIFT)
1.91.4/ 4	06	FRONT DASH (CAB CP POWER SHIFT)
1.91.4/ 4	07	IGNITON SWITCH, POWER POINT, FUSE PANEL & SIDE CONSOLE HARNESS (CAB CP POWER SHIFT)
1.91.4/ 5	01	IGNITON SWITCH, POWER POINT, FUSE PANEL & SIDE CONSOLE HARNESS (POWER SHIFT EUR)
1.91.4/ 5	02	IGNITON SWITCH, POWER POINT, FUSE PANEL & SIDE CONSOLE HARNESS (POWER SHIFT EUR)
1.91.4/ 5	03	IGNITON SWITCH, POWER POINT, FUSE PANEL & SIDE CONSOLE HARNESS (POWER SHIFT EUR)
1.91.4/ 5	04	IGNITON SWITCH, POWER POINT, FUSE PANEL & SIDE CONSOLE HARNESS (POWER SHIFT EUR)
1.91.4/ 5	05	IGNITON SWITCH, POWER POINT, FUSE PANEL & SIDE CONSOLE HARNESS (POWER SHIFT EUR)
1.91.4/ 5	06	FRONT DASH (POWER SHIFT EUR)
1.91.4/ 5	07	IGNITON SWITCH, POWER POINT, FUSE PANEL & SIDE CONSOLE HARNESS (POWER SHIFT EUR)
1.91.5	01	FRONT AND REAR WINDSCREEN WIPERS
1.91.5	02	WINDSCREEN WIPERS RESERVOIR & NOZZLES
1.91.6	01	RADIO ANTENNA & SPEAKER COVER
1.91.7	01	LAMPS & LIGHTS - CAB (EUROPE)
1.91.8	01	CAB-SAFETY FRAME / EXTINGUISHER
1.92.1	01	CAB - FRAME-DOOR
1.92.1/ 2	01	CAB - FRAME-DOOR

TABLE OF CONTENTS

1.92.3	01	WINDOWS
1.92.4	01	WINDOWS
1.92.4	02	WINDOWS
1.92.4	03	WINDOWS
1.92.5	01	FENDERS, REAR
1.92.6	01	DOOR COMPONENTS
1.92.6	02	DOOR COMPONENTS
1.92.6	03	DOOR COMPONENTS
1.92.8	01	FIREWALL SEAL, ROPS
1.92.9	01	REAR WINDOWS
1.92.9	02	REAR WINDOWS
1.92.9	03	REAR WINDOWS
1.93.0	01	CAB / SOFT TRIM
1.93.0	02	CAB / SOFT TRIM (POWER SHUTTLE)
1.93.0	03	CAB / SOFT TRIM
1.93.0	04	CAB / SOFT TRIM
1.93.0/ 1	02	CAB / SOFT TRIM (POWER SHIFT)
1.93.0/ 1	03	CAB / SOFT TRIM (POWER SHIFT)
1.93.0/ 2	01	RH & BACKHOE CONSOLE TRIM, ROPS (CENTER PIVOT)
1.93.0/ 3	01	CAB / SOFT TRIM
1.93.0/ 3	04	CAB / SOFT TRIM
1.93.0/ 5	01	RH & BACKHOE CONSOLE TRIM, ROPS (CENTER PIVOT)
1.93.0/ 6	01	ROOF, ROPS
1.93.0/ 6A	01	ROOF, ROPS
1.93.4	01	REAR MIRROR- SUN SCREEN
1.93.5	01	FRONT CONSOLE - ROPS (POWER SHUTTLE)
1.93.5	02	RH SIDE CONSOLE SEAL & CLIPS - ROPS (POWER SHUTTLE)
1.93.5/ 1	01	CAB / PANEL DASH
1.93.5/ 1	02	CAB / PANEL DASH
1.93.5/ 3	01	CAB / PANEL DASH
1.94.0	01	CAB/ CANOPY
1.94.2	01	HEATER HOUSING, COIL, BLOWER & VALVE
1.94.2	02	HEATER ASSEMBLY & FILTERS
1.94.2	03	HEATER WATER HOSES
1.94.2	04	AIR DUCTS & VENTS
1.94.2	05	HEATER CONTROL PANEL
1.94.2/ 1	01	HEATER HOUSING, COIL, BLOWER & VALVE
1.94.2/ 1	03	HEATER WATER HOSES
1.94.2/ 1	04	AIR DUCTS & VENTS
1.95.0	01	CAB-SAFETY FRAME / BRAKE PEDAL
1.95.0	02	CAB-SAFETY FRAME / BRAKE PEDAL
1.95.0	03	CAB-SAFETY FRAME / BRAKE PEDAL
1.95.0/ A	01	CAB-SAFETY FRAME / BRAKE PEDAL
1.95.1	01	CAB-SAFETY FRAME / HAND BRAKE
1.95.3	01	HAND-OPERATED AND PEDAL-OPERATED ACCELERATOR CONTROL
1.95.5	02	POWER STEERING MOTOR HOSES
1.95.5/ B	01	POWER STEERING MOTOR
1.95.5/ B	02	POWER STEERING MOTOR
1.95.5/ 1	01	POWER STEERING MOTOR, WHEEL & COLUMN TRIM (EUR)
1.95.5/ 1	02	POWER STEERING MOTOR HOSES
1.95.5/ 2	01	POWER STEERING MOTOR, WHEEL & COLUMN (EUR)
1.95.5/ 4	02	POWER STEERING MOTOR HOSES, CAB (4WS)
1.96.0	01	FOWARD/REVERSE & MULTI-PURPOSE LEVER (POWER-SHUTTLE - CENTER PIVOT)
1.96.0/ 1	01	FOWARD/REVERSE & MULTI-PURPOSE LEVER (POWER-SHUTTLE - SIDE SHIFT)

TABLE OF CONTENTS

1.96.0/ 2	01	FORWARD/REVERSE & MULTI-PURPOSE LEVER, CAB (POWER-SHIFT)
1.96.2	01	STABILIZER CONTROL
1.96.2	02	STABILIZER CONTROL
1.96.2/ 1	01	PILOT CONTROL DIAGNOSTICS
1.96.7	01	CAB PLUGS, FLOOR PLATES & AIR CONVEYER, CENTER PIVOT
1.96.7/ 1	01	CAB PLUGS, FLOOR PLATES & AIR CONVEYER (SIDE SHIFT)
1.96.7/ 2	01	CAB / MISCELLANEOUS CAPS (CENTER PIVOT) USA
1.96.7/ 3	01	CAB / MISCELLANEOUS CAPS (POWER SHIFT) EUR
1.96.7/ 4	01	ROPS PLUGS & FLOOR PLATE (CENTER PIVOT)
1.96.7/ 6	01	CAB PLUGS, FLOOR PLATES & AIR CONVEYER, CENTER PIVOT
1.96.7/ 7	01	CAB PLUGS, FLOOR PLATES & AIR CONVEYER (SIDE SHIFT)
1.96.7/ 8	01	CAB / MISCELLANEOUS CAPS (CENTER PIVOT) USA
1.96.7/ 9	01	CAB / MISCELLANEOUS CAPS (POWER SHIFT) EUR
1.96.7/10	01	ROPS PLUGS & FLOOR PLATE (CENTER PIVOT)
1.98.0	01	INFORMATION SYMBOL DECALS - EUROPA
1.98.0	02	WARNING SYMBOL DECALS - EUROPA
1.98.0	03	CAB WARNING & INFORMATION DECALS - EUROPA
1.98.0	04	BACKHOE, LOADER & ENGINE WARNING DECALS - EUROPA
1.98.0/ 2	01	FORWARD/REVERSE & STEERING DECALS - POWER SHIFT
1.98.1	03	LB110.B MODEL IDENTIFICATION (POWER SHUTTLE)
1.98.1	04	LB110.B MODEL IDENTIFICATION (POWER SHIFT)
346	01	A/C HOUSING & FILTERS
346	02	A/C BLOWER & COILS
346	03	HEATER COIL HOSES
346	04	A/C & HEATER CONTROL PANEL
346	05	A/C & HEATER CONSOLE DUCTS
346/1	01	TRANSFORMATION SET FROM HEATING TO AIR CONDITIONING
346/1	02	TRANSFORMATION SET FROM HEATING TO AIR CONDITIONING
347	01	HOUSING & FILTERS
347	02	HEATER BLOWER & COILS
347	03	HEATER COIL HOSES
347	04	A/C & HEATER CONTROL PANEL
347	05	A/C & HEATER CONSOLE DUCTS
347	06	CAB HEATING COATING PLUG
350	01	2 LEVER BACKHOE CONTROLS, LEVER, BOOT & DECALS
350	02	2 LEVER BACKHOE CONTROLS, LEVER TIE-ROD ASSEMBLY
351	01	JCB 2 LEVER BACKHOE CONTROLS, LEVERS, BOOT & DECALS
351	02	JCB 2 LEVER BACKHOE CONTROLS, UPPER TIE-ROD ASSEMBLY
351	03	JCB 2 LEVER BACKHOE CONTROLS, LOWER TIE-ROD ASSEMBLY
351	04	CASE 3 LEVER BACKHOE CONTROLS, CONSOLE & LEVERS
351	05	CASE 3 LEVER BACKHOE CONTROLS, BELLCRANK & SUPPORT
351	06	CASE 3 LEVER BACKHOE CONTROLS, BUCKET TIE-ROD ASSEMBLY
351	07	CASE 3 LEVER BACKHOE CONTROLS, UPPER SWING TIE-ROD ASSEMBLY
351	08	CASE 3 LEVER BACKHOE CONTROLS, DIPPER, SWING & BOOM LINKAGE
351	09	CASE 3 LEVER BACKHOE CONTROLS, SWING CONTROL PEDAL
353	01	4 LEVER BACKHOE CONTROLS, CONSOLE, LEVERS & BELLCRANK
353	02	4 LEVER BACKHOE CONTROLS, UPPER TIE-ROD ASSEMBLY
353	03	4 LEVER BACKHOE CONTROLS, LOWER TIE-ROD ASSEMBLY
354	01	ISO 2 LEVER BACKHOE CONTROLS, TIE-ROD ASSEMBLY, BOOT & DECALS (SIDE SHIFT)
358	01	ISO 2 LEVER BACKHOE CONTROLS, LEVERS, BOOT & DECALS
358	02	ISO 2 LEVER BACKHOE CONTROLS, TIE-ROD ASSEMBLY
380	01	TRANSPORT LOCK CONTROL (CAB)
381	01	TRANSPORT LOCK CONTROL (ROPS)
390/ 1	01	2 LEVER BACKHOE CONTROLS, LEVER, BOOT & DECALS (CENTER PIVOT)

TABLE OF CONTENTS

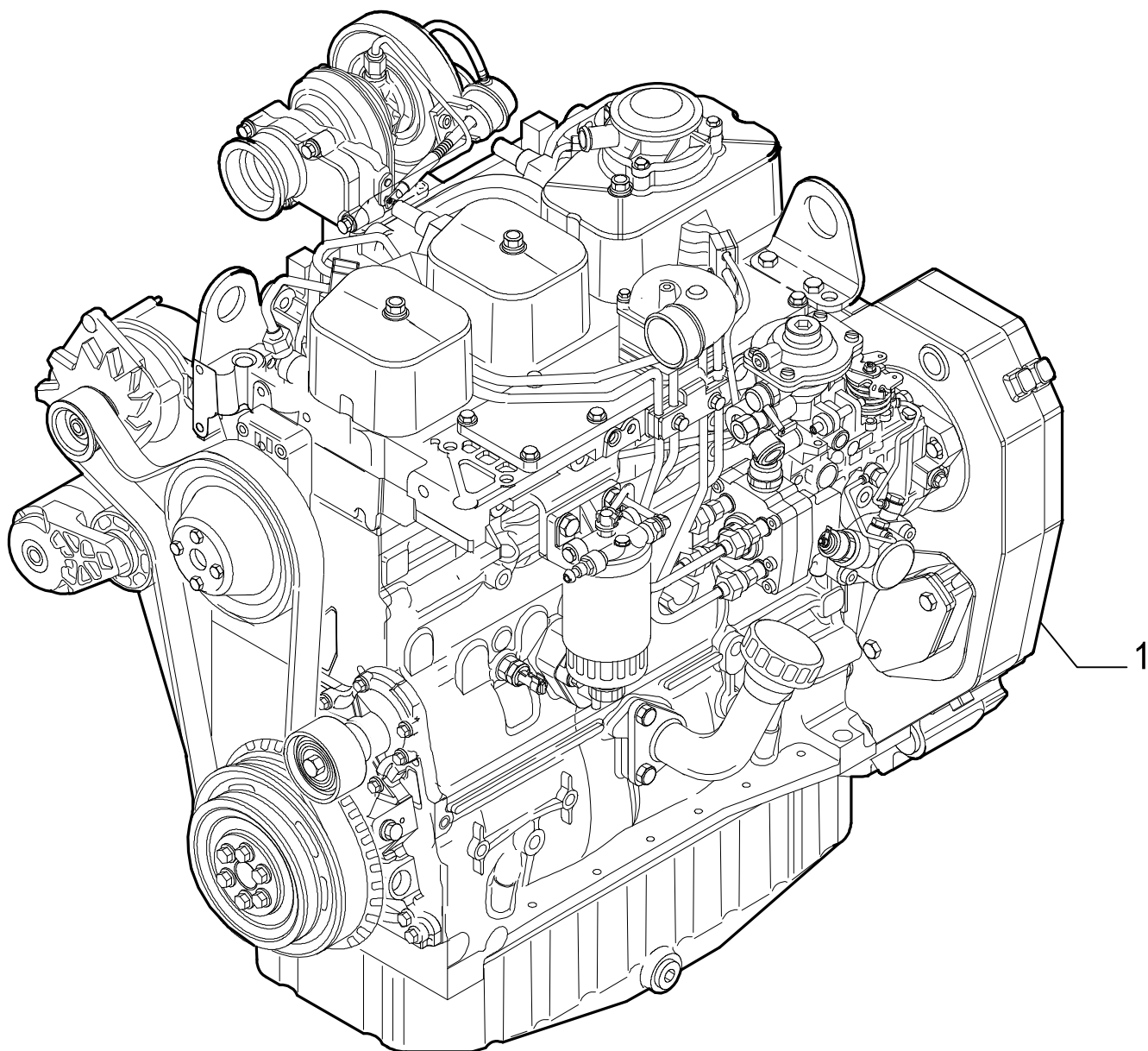
393	01	2 LEVER BACKHOE CONTROLS, LEVER, BOOT & DECALS
393	03	LOCKING VALVE ON BACKHOE LIFT CYLINDER
394	01	ISO 2 LEVER BACKHOE CONTROLS, LEVERS, BOOT & DECALS (CENTER PIVOT)
394	02	ISO 2 LEVER BACKHOE CONTROLS, TIE-ROD ASSEMBLY (CENTER PIVOT)
394/ 1	01	4 LEVER BACKHOE CONTROLS, CONSOLE, LEVERS & BELLCRANK (CENTER PIVOT)
394/ 1	02	4 LEVER BACKHOE CONTROLS, UPPER TIE-ROD ASSEMBLY, CENTER PIVOT
394/ 1	03	4 LEVER BACKHOE CONTROLS, LOWER TIE-ROD ASSEMBLY (CENTER PIVOT)
396	01	JCB 2 LEVER BACKHOE CONTROLS, LEVERS, BOOT & DECALS
396	02	JCB 2 LEVER BACKHOE CONTROLS, TIE-ROD ASSEMBLY
622	01	INTERNAL FAN
642	01	EGS CONTROL, 20 & 40KM/H (POWER SHIFT)
644	01	A/C HOUSING & FILTERS
644	02	A/C BLOWER & COILS
644	03	HEATER COIL HOSES
644	04	A/C & HEATER CONTROL PANEL
644	04A	A/C & HEATER CONTROL PANEL
644	05	A/C & HEATER CONSOLE DUCTS
644	05A	A/C & HEATER CONSOLE DUCTS
644	06	A/C & HEATER CONVEYOR
644	07	A/C HOUSING SIDE PANELS
644	08	RH CAB TRIM WITH VENT
644	09	A/C & HEATER CAB ROOF DUCTS
646	01	A/C DRYER FILTER HOSES
646/1	01	MACHINE PART AIR CONDITIONING SET
646/1	02	A/C COMPRESSOR ATTACHING GROUP
646/1	03	A/C COMPRESSOR
646/1	04	A/C FILTER & CONDENSER ATTACHING GROUP
646A	01	A/C COMPRESSOR ATTACHING GROUP
650	01	STEERING COLUMN, FIXED & ADJUSTABLE
705	01	SEAT BELTS, 2" & 3"
758	01	ROTATING BEACON
782	01	FRONT CONSOLE WITH SPEEDOMETER, 4WD
787/ 1	01	FRONT CONSOLE WITHOUT SPEEDOMETER (CAB)
787/ 2	01	FRONT CONSOLE WITHOUT SPEEDOMETER (CAB)
788/ 1	01	FRONT CONSOLE WITH SPEEDOMETER, 4WD
788/ 2	01	FRONT CONSOLE WITH SPEEDOMETER, 4WD
789	01	SPEED SENSOR(P.SHUTTLE)
791	01	RH CONSOLE WITH INSTRUMENTS
792	01	RH CONSOLE WITH INSTRUMENTS AND DIAGNOSTICS
795	01	RH CONSOLE WITH INSTRUMENTS AND DIAGNOSTICS
796	01	ANTITHEFT
851	01	CLOTH SEAT & ATTACHING HARDWARE (CAB)
851/ 1	01	CLOTH SEAT CUSHIONS, ARMRESTS & RELATED PARTS
851/ 1	02	CLOTH SEAT MOUNTING PLATE, ADJUSTING RAILS & SEAT BELT
851/ 1	03	CLOTH SEAT UPPER SUSPENSION PARTS
851/ 1	04	CLOTH SEAT LOWER SUSPENSION PARTS
851/ 3	01	CLOTH SEAT CUSHIONS, ARMRESTS & RELATED PARTS
851/ 3	02	CLOTH SEAT MOUNTING PLATE, ADJUSTING RAILS & SEAT BELT
851/ 3	03	CLOTH SEAT UPPER SUSPENSION PARTS
851/ 3	04	CLOTH SEAT LOWER SUSPENSION PARTS
855	01	AIR RIDE CLOTH SEAT & ATTACHING HARDWARE (CABINA)
855/ 1	01	AIR RIDE CLOTH SEAT CUSHIONS, ARMRESTS & RELATED PARTS
855/ 1	02	AIR RIDE CLOTH SEAT MOUNTING PLATE, ADJUSTING RAILS & SEAT BELT
855/ 1	03	AIR RIDE CLOTH SEAT UPPER SUSPENSION PARTS

TABLE OF CONTENTS

855/ 1	04	AIR RIDE CLOTH SEAT LOWER SUSPENSION PARTS
855/ 1	05	AIR RIDE CLOTH SEAT COMPRESSOR & TUBING
855/ 3	01	AIR RIDE CLOTH SEAT CUSHIONS, ARMRESTS & RELATED PARTS
855/ 3	02	AIR RIDE CLOTH SEAT MOUNTING PLATE, ADJUSTING RAILS & SEAT BELT
855/ 3	03	AIR RIDE CLOTH SEAT UPPER SUSPENSION PARTS
855/ 3	04	AIR RIDE CLOTH SEAT LOWER SUSPENSION PARTS
855/ 3	05	AIR RIDE CLOTH SEAT COMPRESSOR & TUBING
856	01	VINYL SEAT CUSHIONS, ARMRESTS & RELATED PARTS (ROPS)
856/ 1	01	VINYL SEAT WITH ARMRESTS & MOUNTING HARDWARE (ROPS)
856/ 1	02	VINYL SEAT MOUNTING PLATE, ADJUSTING RAILS & SEAT BELT (ROPS)
856/ 1	03	VINYL SEAT UPPER SUSPENSION PARTS (ROPS)
856/ 1	04	VINYL SEAT LOWER SUSPENSION PARTS (ROPS)
869	01	NON-SUSPENSION SEAT
869/ 1	01	NON-SUSPENSION SEAT CUSHIONS, RELATED PARTS & 2" SEAT BELT
869/ 1	02	NON-SUSPENSION SEAT ADJUSTING MECHANISM
869/ 1	03	NON-SUSPENSION SEAT PEDESTAL & BASE
870/ 1	01	NON-SUSPENSION SEAT CUSHIONS, RELATED PARTS & 3" SEAT BELT
966	01	PLATE SUPPORT
990	01	TOOL KIT
SEC. 11	00	WHEELS
180	01	RIGHT FRONT SPARE WHEEL
274	01	RIGHT FRONT SPARE WHEEL
82.00	02	FRONT WHEELS (4WD)
82.00	03	FRONT WHEELS (4WD)
83.00	01	REAR WHEELS
83.00	02	REAR WHEELS (SIDE SHIFT)
83.00	03	FRONT WHEELS (2WD/4WD)
SEC. 18	00	VARIATION
529/ 1	01	STABILIZER FOOT STREET PAD (SIDE SHIFT)
530/ 1	01	STABILIZER FOOT GROUND (SIDE SHIFT)
535	01	STABILIZER FOOT GROUND (CENTER PIVOT)
535/ 1	01	STABILIZER FOOT STREET PAD (CENTER PIVOT)
536	01	REVERSIBLE STABILIZER FOOT (CENTER PIVOT)
537	01	STABILIZER FOOT STREET PAD (CENTER PIVOT)
599	01	STABILIZER FOOTSTREET PAD (SIDE SHIFT)
606	01	STABILIZER FOOT, GROUND (SIDE SHIFT)
628	01	4WD STEERING LOCK
803	01	FENDERS, FRONT
848	01	BATTERY CONNECTION

ENGINE
MOTORE
MOTEUR
MOTOR

1



MOTOR
MOTOR
MOTOR
MOTOR

R	N	P.N.	MOD	Q	Description Denominacion	Descrizione Denominação	Description Beschrijving	Bezeichnung Beskrivelse	L.C.
1	1, 2	86990711		1	ENGINE, - ASSY MOTOR	MOTORE MOTOR	MOTEUR MOTOR	MOTOR MOTOR	130M
1	3	87342413		1	ENGINE, - ASSY MOTOR	MOTORE MOTOR	MOTEUR MOTOR	MOTOR MOTOR	130M

(1) UP TO S/N 031056821

(2) 86990711=87342413

(3) FROM TO S/N 031056822 (12/01/2005)

LB110.B

0.040

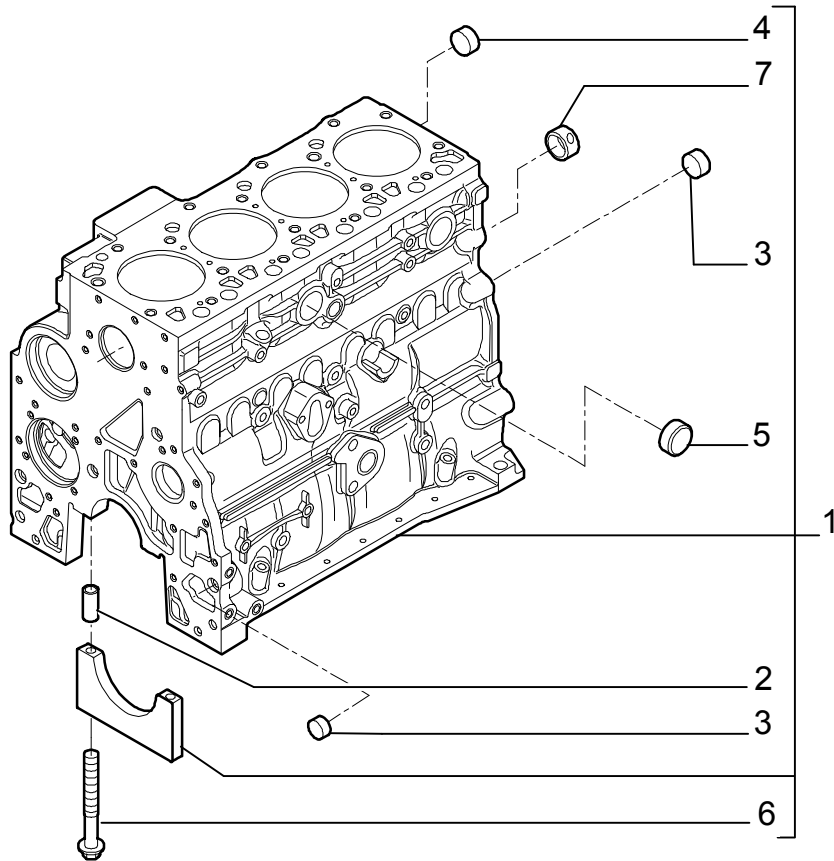
01

p1

12/05

CYLINDER BLOCK
BLOCCO CILINDRI
BLOC CYLINDRES
ZYLINDERBLOCK

1



0.040

01

p1

12/05

BLOQUE DE CILINDROS
 BLOCO DE CILINDRO
 CILINDERBLOK
 CYLINDERBLOK

R	N	P.N.	MOD	Q	Description Denominacion	Descrizione Denominação	Description Beschrijving	Bezeichnung Beskrivelse	L.C.
1		2830082		1	CYLINDER BLOCK, - ASSY BLOQUE DE CILINDROS	BASAMENTO MOTORE BLOCO DE MOTOR	BLOC MOTEUR MOTORBLOK	KURBELGEHAEUSE KRUMTAPHUS	020B
2		4899026		10	DOWEL PITON	GRANO GUIA	PION STEL PEN	ZENTRIERSTIFT DYVEL	090G
3		4895039		3	PLUG, 17.73 mm OD TAPÓN	TAPPO BUJAO	BOUCHON PLUG	STOPFEN PROP	050T
4		4895038		4	PLUG, 58.06 mm OD TAPÓN	TAPPO BUJAO	BOUCHON PLUG	STOPFEN PROP	050T
5		4895228		2	PLUG, 35.23 mm OD TAPÓN	TAPPO BUJAO	BOUCHON PLUG	STOPFEN PROP	050T
6		4891353		10	SCREW, M12X120 TORNILLO	VITE PARAFUSO	VIS SCHROEF	SCHRAUBE SKRUE	040V
7		4895040		1	BUSHING CASQUILLO	BOCCOLA CASQUILHO	BAGUE LAGERBUS	BUECHSE BOESNING	095B

1

LB110.B

0.040

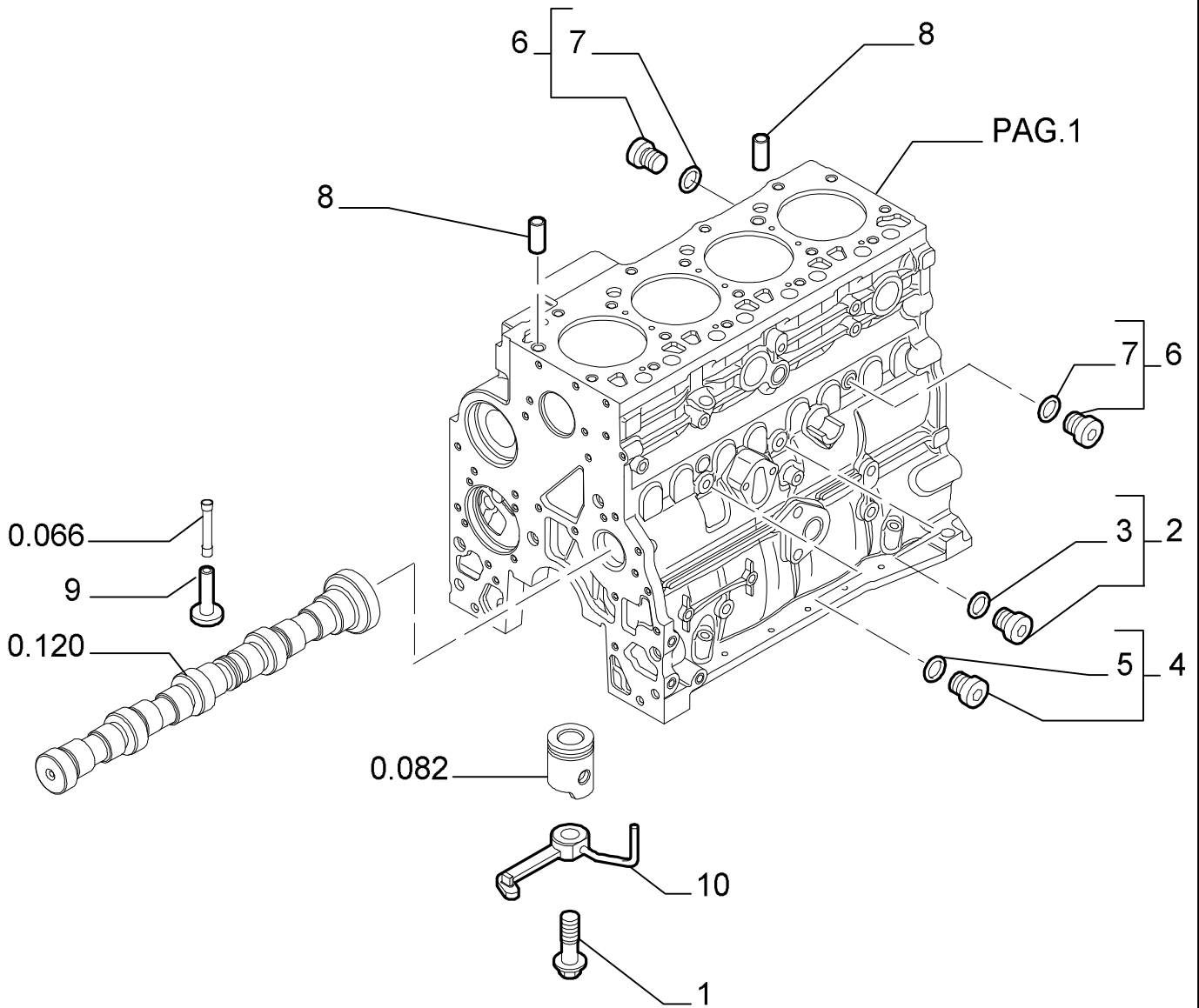
02

p1

12/05

CYLINDER BLOCK
BLOCCO CILINDRI
BLOC CYLINDRES
ZYLINDERBLOCK

1



0.040

02

p1

12/05

BLOQUE DE CILINDROS
 BLOCO DE CILINDRO
 CILINDERBLOK
 CYLINDERBLOK

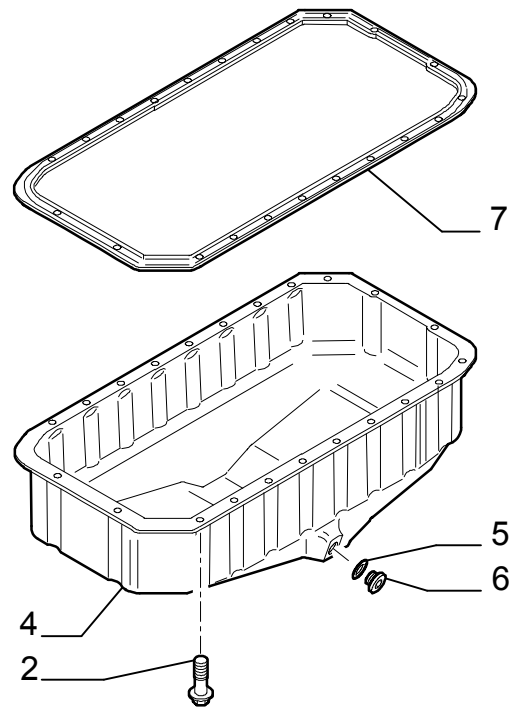
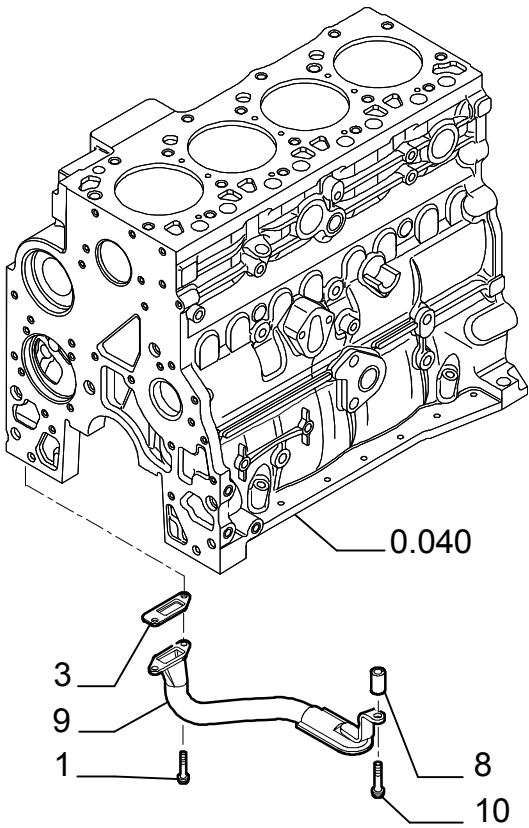
R	N	P.N.	MOD	Q	Description Denominacion	Descrizione Denominação	Description Beschrijving	Bezeichnung Beskrivelse	L.C.
1		4894218		4	SCREW TORNILLO	VITE PARAFUSO	VIS SCHROEF	SCHRAUBE SKRUE	040V
2		4895605		1	PLUG, 14x1.5 - ASSY TAPÓN	TAPPO BUJAO	BOUCHON PLUG	STOPFEN PROP	050T
3		4899115		1	O-RING JUNTA HERMETICA	ANELLO TOROIDALE O-RING	JOINT THORIQUE O-RING	O-RING O-RING	055A
4		4899009		1	PLUG, 10x1.5 - ASSY TAPÓN	TAPPO BUJAO	BOUCHON PLUG	STOPFEN PROP	050T
5		4899072		1	O-RING JUNTA HERMETICA	ANELLO TOROIDALE O-RING	JOINT THORIQUE O-RING	O-RING O-RING	055A
6		4895392		2	PLUG, 18x1.5 - ASSY TAPÓN	TAPPO BUJAO	BOUCHON PLUG	STOPFEN PROP	050T
7		4895393		1	O-RING JUNTA HERMETICA	ANELLO TOROIDALE O-RING	JOINT THORIQUE O-RING	O-RING O-RING	055A
8		4895049		2	DOWEL PITON	GRANO GUIA	PION STEL PEN	ZENTRIERSTIFT DYVEL	090G
9		4895180		8	TAPPET EMPUJADOR	PUNTERIA IMPULSOR	POUSSOIR LAGER, ROL	ROULEMENT A ROULEA VENTILLOEFTER	240P
10		504047260		4	NOZZLE, LUB. OIL JET TOBERA	UGELLO PULVERIZADOR	GICLEUR VERSTUIVER	DUESE DYSE	020U

LB110.B

1

OIL PUMP, PAN
VASCHETTA DELLA POMPA DELL'OLIO
POMPE À HUILE, CARTER
ÖLPUMPENWANNE

1



0.042

01

p1

12/05

BOMBA DE ACEITE, BANDEJA
 BOMBA DE ÓLEO, RECIPIENTE
 PANOLIEPOMP
 OLIEPUMPE, BUNDKAR

R	N	P.N.	MOD	Q	Description Denominacion	Descrizione Denominação	Description Beschrijving	Bezeichnung Beskrivelse	L.C.
1		4899020		2	SCREW, M8X1.25X20 TORNILLO	VITE PARAFUSO	VIS SCHROEF	SCHRAUBE SKRUE	040V
2		4899091		22	SCREW, Hex Flg, M8 x 1.25 x 40, M8X1.25X40	VITE	VIS	SCHRAUBE	040V
					TORNILLO	PARAFUSO	SCHROEF	SKRUE	
2		4895489		2	SCREW, M8X1.25X110 TORNILLO	VITE PARAFUSO	VIS SCHROEF	SCHRAUBE SKRUE	040V
3		4898301		1	GASKET JUNTA HERMETICA	GUARNIZIONE JUNTA	JOINT DICHTINGSSTUK	DICHTUNG, FLACH PAKNING	123G
4		504043550		1	PAN, ENGINE OIL CARTER DE ACEITE	COPPA OLIO CARTER DE OLEO	CARTER D'HUILE OLIECARTER	MOTORÖLWANNE BUNDKAR	274C
5		17282280		1	GASKET, 23,4X2,6 JUNTA HERMETICA	GUARNIZIONE JUNTA	JOINT DICHTINGSSTUK	DICHTUNG, FLACH PAKNING	123G
6		4894139		1	PLUG, 22X1.5 TAPÓN	TAPPO BUJAO	BOUCHON PLUG	STOPFEN PROP	050T
7		504069777		1	GASKET JUNTA HERMETICA	GUARNIZIONE JUNTA	JOINT DICHTINGSSTUK	DICHTUNG, FLACH PAKNING	123G
8		504062812		1	SPACER SEPARADOR	DISTANZIALE ESPACADOR	ENTRETOISE AFSTANDSRING	DISTANZSTÜCK AFSTANDSSTYKKE	075D
9		504042165		1	STRAINER, ELEMENT TAMIZ DE ALCACHOFA	ELEMENTO FILTRANTE TAMIZ DE ALCACHOFA	TAMIS DE CRÉPINE STRAINER, ELEMENT	SIEBEINSATZ ELEMENTSI	8600
10		4895538		1	SCREW, M10X1.5X120 TORNILLO	VITE PARAFUSO	VIS SCHROEF	SCHRAUBE SKRUE	040V

LB110.B

1

0.043

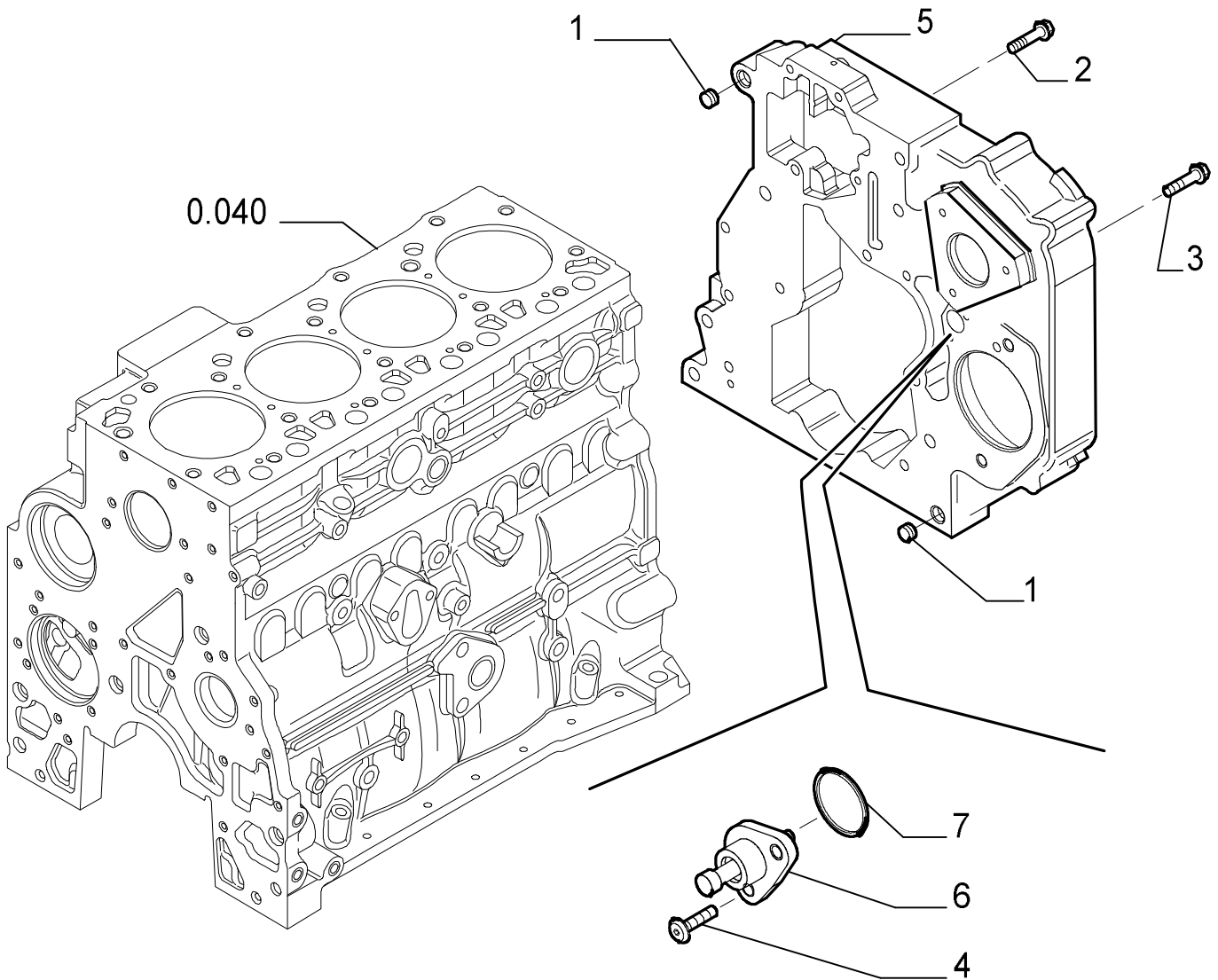
01

p1

12/05

CYLINDER BLOCK - COVERS
BLOCCO CILINDRI - COPERCHI
BLOC CYLINDRES - COUVERCLES
ZYLINDERBLOCK - DECKEL

1



BUY NOW

**Then Instant Download
the Complete Manual
Thank you very much!**